



STOVES 2016-2017



By appointment to The Royal Danish Court

**morsø**

Danish design forever



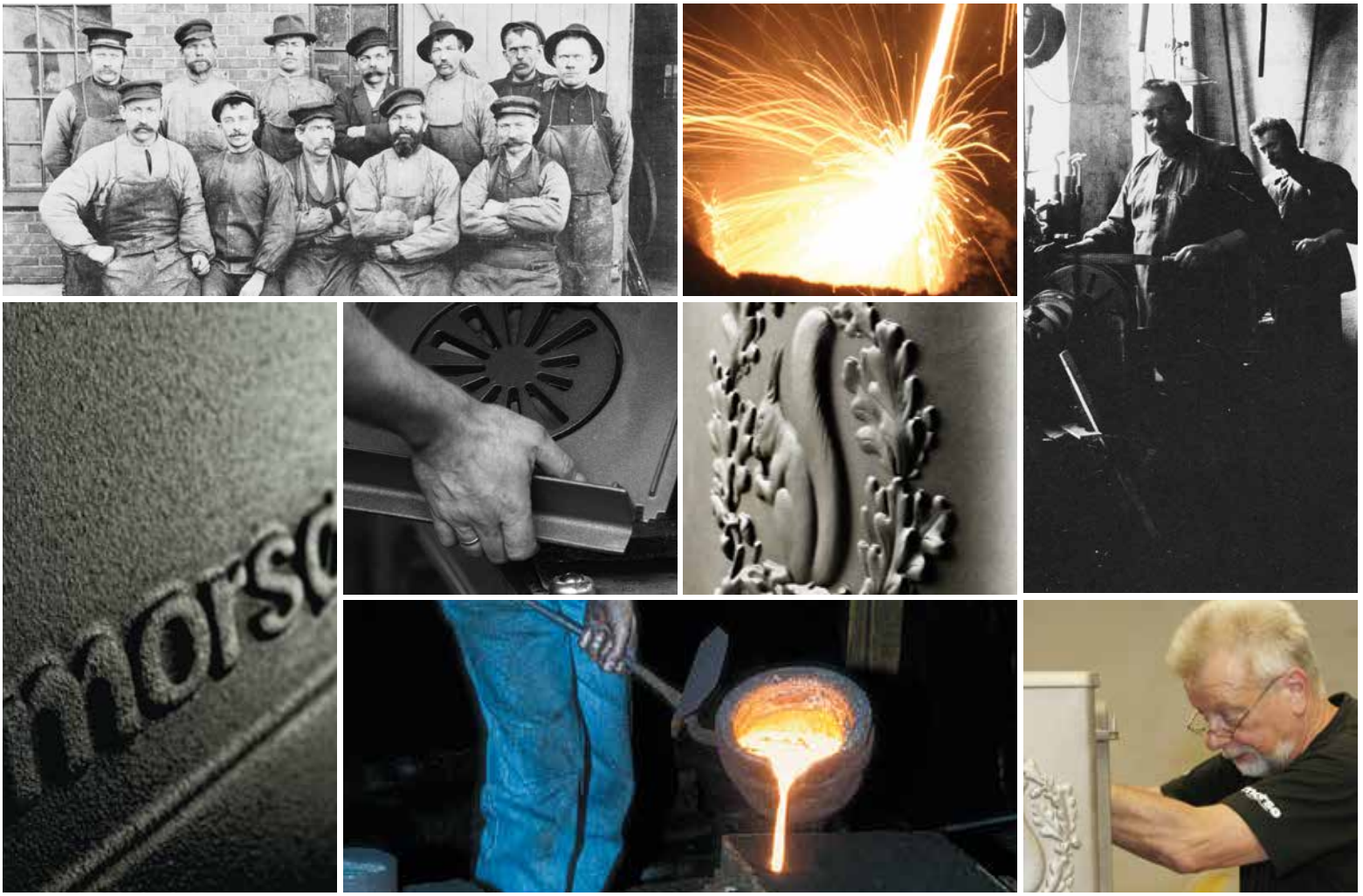
# CONTENTS

---

The Morsø History .....	4
Morsø and Outdoor Life .....	6
The original Cast-iron stove .....	8
5660 inserts .....	10
2110 .....	12
7110 .....	14
The 2B series .....	16
The 1400 series.....	18
3142 .....	19
3440-series.....	20
The 6100 series.....	22
The 7600 series.....	24
The 7900 series.....	26
The 8100 series.....	28
Choosing the right stove .....	30
Accessories .....	32
The environmental standards .....	34
Technical Details.....	36

---

Morsø reserves the right to change specification without prior notice. This brochure does not replace the installation manual which provides more detailed information.



---

## A LONG HISTORY - TOLD IN BRIEF

The history of Morsø Jernstøberi dates all the way back to 1853, when business graduate, N. A. Christensen, started his own iron foundry on the Limfjord island of Mors. In the first few years, the small handful of employees manufactured everything from barn windows and memorial crosses to cooking stoves, pots and pans.

However, N. A. Christensen wasn't just your usual business man. With his well-honed talent for good business and his many creative and forward-thinking ideas, he quickly succeeded in turning the company into one of the country's leading iron foundries, and towards the close of the century, Morsø's cast goods were well-known throughout the country. Especially the popular solid fuel stoves and cooking stoves, which had now become the company's most important brand.

### **Royal warmth**

At the turn of the century, Morsø began supplying heating systems to churches, schools and a number of public buildings, including the state railways and various ministries. And at the start of the 1900s, the popular imperial-style stoves found their way into the royal apartments at Amalienborg. In 1915, various stoves had already been supplied to the palaces at Amalienborg and to several other royal residences, and the company was therefore bestowed the prestigious title of Purveyor to His Majesty the King by King Christian X. Later, in 1969, the title was changed to Purveyor to the Royal Danish Court.

---



---

### **Always in front**

Right from the earliest years, development and innovation have been an important driving force for Morsø Jernstøberi. Various history-making products and principles have, therefore, put the beautiful island in Limfjord on the map. For example, the convection principle, which at the turn of the new century was developed in cooperation with other foundries, and which has set completely new standards on how efficiently and especially how comfortably we can heat our homes with a solid fuel stove.

When central heating and, therefore, radiators

began to make their mark in Danish homes in the 1950s, the solid fuel stove was out of fashion. But Morsø showed once again that it had its finger on the pulse, when the revolutionary open fireplace stove, the 1122, was launched. In so doing, Morsø opened up a completely new market and a completely new way of making life warmer, in both senses of the word.

In summary, Morsø has, step by step, led the way in both new designs and new ways of combining form and function; efficiency with beauty and comfort – and also in recent years with environmental awareness.

---



## MORSØ MAKES HOME LIFE BETTER

### **A choice for life**

For more than 160 years, Morsø has spread warmth through our homes, creating special moments of pure happiness, closeness, peace of mind and comfort.

When you eventually put this catalog down, the likelihood is you'll be sold. You'll have fallen for Morsø's timeless look. You'll have fallen in love with cast iron's unique properties. And you'll be convinced of our products' obvious advantages for the environment.

But believe us – when you describe your relationship with your Morsø in the future, it won't be the design, the cast iron or its green-friendly impact which will fuel your fondness. By then, it has been an indispensable part of your home. A trusty source of heat, you will love for ease of operation, and the glow of the fire. To choose a Morsø stove, a Morsø pot or an outdoor oven is, in other words, to make a choice for life.



---

### **Morsø Outdoor living - Feel at home outside**

With Morsø Outdoor living we turn up the heat on entertaining outdoors. We have developed a unique collection that makes outdoor living more comfortable, more beautiful and dare we say it more decadent.

Yes at Morsø we love fire. We love the way everyone is naturally drawn toward the fascinating, seductive dancing flames. Based on strong traditions, we have created an innovative outdoor world for you, your family and your friends to enjoy, time and time again.

### **Morsø Cooking & Dining**

Going back 160 years Morsø has created cookware in cast iron and demonstrated its superiority as a material for the noble art of cooking over many decades. Morsø has now produced a new stylish series of cook ware in functional cast iron pots and pans in beautiful Scandinavian design. We want to make home life better.





## THE ORIGINAL CAST-IRON STOVE

---

If you asked 100 random Danish people to name a make of stove, more than 90 of them would without doubt say “Morsø”. With good reason. For generations, Morsø has been the quintessence of a Danish stove. Timeless and modern at the same time.

---

## WORTH KNOWING ABOUT CAST IRON

---

All stoves want to expand as they get hot. However, cast iron has a thermal tension, which makes the material especially well suited to changing temperatures. The result is that a Morsø cast-iron stove will burn the same tomorrow as it does today.

Morsø’s cast iron stoves are not welded but are bound with gasket materials and the plates are bolted together. This gasket material will cushion the expanding plates, for less stress on the castings and will insure that the air tight integrity of the seems is maintained so that there will be less maintenance over the life of the stove.

Cast iron is highly resistant to overheating.

The thickness of the cast iron we use at Morsø ensures that our cast iron stoves retain the heat for a long time.

The ability of cast iron to distribute the heat is high. This means that the heat from a Morsø cast-iron stove always feels comfortable and pleasurable to be near to.

You receive a 10-year guarantee against casting faults and other production faults according to Morsø’s warranty conditions.

---



5660

## 5660-INSERTS

The Morsø 5660 Standard is an advanced fireplace insert, which fully lives up to our craftsmanship traditions. The design is contemporary and stylish. Our innovative insert has an advanced combustion system supplied with tertiary air, enabling the stove to comply with the requirements for environmentally-conscious heating. The fireplace has an extra large combustion chamber which can accommodate logs of up to 20" – for those cold winter evenings.

An optional outside air kit is available for each model. To enhance its look even further, it can be purchased with a glass upgrade covering the door to give it the appearance of a full glass door.



Heats up 50,000 BTU/hr



5660 - with glass front



## 5660-INSERTS



5660 - with blower

The **Morsø 5660 NA** has the same firebox as the 5660 Standard but comes equipped to have an optional blower installed and can fit into larger fireplaces. It has the same clean lines with one of the largest viewing areas of any insert today. For new home installations an optional Morsø 5660 Zero-Clearance Enclosure is available for each 5660 model (specific installation instructions apply). The recommended framing dimension for the Morsø 5660 Zero-

Clearance Enclosure is: 67" H x 39 $\frac{3}{4}$ " W X 25 $\frac{1}{2}$ " D. The fan is (no quotes) a "high quality adjustable 110 CFM fan that is powerful and yet very quiet.



Heats up 50,000 BTU/hr

## 2110

**Morsø 2100** Nostalgic look, glowing with Danish charm, which is a true representative of the proud Morsø heritage. The Morsø 2110 has an extra wide combustion chamber, allowing the use of large-sized fuel. At the same time, the width of the doors facilitate large glass windows, allowing you to gaze at the crackling fire. Designed by the English designer Queensbury Hunt, the 2110 is a powerful radiant stove, which is a true heir of the proud Morsø heritage.



Heats up 42,000 BTU/hr



2110





7110





## 7110-SERIES

---

A Modern Interpretation of Classic American Design. Morsø 7110, designed specifically to meet the needs of the North American markets offers classic design elements with a modern presentation. The single door approach incorporates a large 'air-washed' window for a fantastic, unobstructed view of the fire. Perfect for medium sized living spaces the Morsø 7110 features an external ash pan for clean and convenient ash removal, a reversible flue collar for flexible installation and rear and bottom heat shields come fitted as standard. The beautifully crafted side castings feature an ancient Viking Symbol, The St Johannes Shield.



Heats up to 45,000 BTU/hr

---



7110



2B Classic





## 2B-SERIES

---

Morsø 2B classic No past – no future. At the beginning of the 1930s, the sculptor, Constantin Sørensen, created this impressive radiant stove, featuring Morsø's well-known decoration of squirrel and oak leaves. The stove's special feature is its combustion chamber, which can accommodate extra long fuel measuring up to 18". The heat exchanger on top lends itself to cooking stews or using a humidifier. For today's market, the 2B Classic retains its original look but has been completely updated inside with an all new combustion chamber meeting today's strict environmental standards. A lower door provides access to an ash pan for easy cleaning.

The 2B Standard is also available without the heat exchanger and ash pan.



**2B Standard & 2B Classic  
heat up to 35,000 BTU/hr**

---



2B Standard



1410 - with rib squirrel

## 1400-SERIES

**Morsø 1400-series** A steady beating heart. The Morsø 1400 is the quintessence of a charming stove. It represents what was the heart of many a home, what we know and remember from our childhood. The combustion technology of these classic stoves since then been further developed and improved so that that's why, today, the stoves fulfil the strictest environmental requirements and also bear the Nordic Swan

Eco-label. Despite all improvements in technology there are some which remain timeless and a sign of quality, so Morsø's characteristic squirrel can still be found on the sides.



Heats up 30,000 BTU/hr



1440 - with squirrel sides



3142 - with plain sides



3112

## 3100-SERIES

**Morsø 3100-series** Following a thorough, technical upgrade and a design lift, the stove stands out with a contemporary, elegant look and meets all the latest combustion principles, continuing all the best points from the classic Morsø stove. The stove has smooth sides on the convection model and a very fine ribbed pattern on the radiant. With the addition of an optional outside air kit, it has the advantage of being mobile home approved.



Heats up to 30,000 BTU/hour

## 3400-SERIES

---

We designed the **Morsø 3440** stove together with the well-known, English design company, Queensbury Hunt Levien, retaining the classic Morsø lines and stylish look, while also integrating an advanced combustion system. The wide door with large stove glass provides a wonderful view of the flames, helping create both mood and heat in the home. The 3400-series comprises two stoves, a convection model and a radiant soap stone model.



Heats up to 35,000 BTU/hour

---



3440





3450 - with soap stone

6148





## 6100-SERIES

The Morsø 6100-series fans the flames. The stove's unique combustion system helps ensure a higher temperature in the combustion chamber, which means it burns off the flue gases. This provides you with a cleaner and more environmentally-friendly combustion with a higher level of efficiency, guaranteeing you good fuel economy. Furthermore, the elegantly designed glass door and hidden mountings provide a good view of the fire and flames. The 6100-series are 80.1% net efficient with almost no smoke emissions. Optional outside air kits are available for most models.



Heats up to 30,000 BTU/hr



6143



6140



with log storage 6143



with drawer - 7642



7644



7648



7670 - wall model





---

## 7600-SERIES

---

**Morsø 7600-series** has its own unique character – its spherical shape, feminine transitions and the large door glass. These unique design elements provide the stove with a personal style and a soft organic touch, yet still produced in the robust and almost indestructible material: cast iron. The 7600 wood burning

stove is a work of art not unlike a living being, warming your house, your body and soul.



**Heats up to 35,000 BTU/hr**

---

## 7900-SERIES

With the 7900 series, Morsø has worked with the designer Monica Ritterband to develop and create a new series of cast iron wood-burners, whose functionality and design suit any home - and of course with quality as the key.

The 7900 series is an innovative design based on a modular system, that makes it possible to customise each wood-burning stove to suit individual needs, both in terms of design and functionality. Two large side windows allow you to enjoy the fire from all angles.



Heats up to 35,000 BTU/hr



7940



7943 - plain base



7943 - with open base



7948



with drawer - 7943



7970 - wall mounted



7990 - plain base or drawer



7990 - with open base



soap stone top  
- fits all 7900 models

# 8100-SERIES

The **Morsø 8100-series** has a clean and elegant design, where the combination of soft, rounded contours and simple details give the stove a light and timeless look. This guarantees you a classically beautiful stove that will last for decades.



Heats up to 35,000 BTU/hr



8140



8142



8143 with log storage



8148



8190 with high base





Soapstone 8150



## CHOOSING THE RIGHT STOVE FOR YOU

---

The Morsø range has the most extensive line of cast iron wood stoves sold in North America today. So, despite the fact that the natural thing to do is let taste and appeal decide, start by looking at the various models' and designs. We recommend you consider a few points first.

### **Radiant or convection stove?**

There are two different types of stove: radiant stoves and convection stoves. The radiant stove concentrates the heat around the stove itself, while the convection stove distributes the heat out into the whole room. The type you choose will therefore greatly depend on what you want your stove to do. If you want cosiness and warmth close to the stove, the radiant stove is a good choice. If, on the other hand, the stove is also to play an effective role in heating your home as a primary heat source, you should choose a convection stove.

---

### **What size?**

The size of your stove is decisive for getting full pleasure of your investment. In this respect, too large can cause problems just as too small can. A stove that's too small will not be able to heat the room adequately. However, if you buy a stove that's too big in relation to the room, you will be forever cutting the air supply to keep the room temperature down. As a result, combustion will be incomplete and soot will quickly build up on the window and in the chimney. Not only that, the quantity of soot particles you emit into the environment will be disproportionately high.

# Original accessories

It's not just the wood-burning stove itself that emits the special atmosphere of warmth and comfort in your home.



CURVA FELT BASKET

## CURVA

With "CURVA", Morsø has created a functional and aesthetically beautiful piece that encompasses all the fire tools in such a way that each product in the series has its own function, and nothing is superfluous.



CURVA FIRE TOOLS



CURVA POKER



MORSØ FIREWOOD BUCKET  
LARGE & SMALL

The Morsø Firewood Bucket is painted in a non-gloss powder coating that gives the bucket the same surface finish as a Morsø stove. Height x Diameter: 13½" X 17½."



## SIMPLICA HUMIDIFIER

The glossy stainless steel handle contrasts to the black enameled cast iron and the grip made of solid rubber makes it safe and comfortable when moving the humidifier under all conditions. Content 1,5 l.



## FIREPLACE TOOL SET COMPLETE

Complete Fireplace Tool Set is very well thought out and has clean lines, making it a perfect companion to Morsø's minimalist stoves. The tools are made of quality materials with comfortable rubber grips. H: 16" x W: 8" x D: 4½."



## MORSØ FLUE GAS THERMOMETER

The Morsø flue gas thermometer is attached to the flue pipe with a magnet and is used to measure the temperature of the smoke in the flue pipe right above the stove.



## MORSØ CAST IRON HUMIDIFIER

Morsø cast iron kettles are available in two sizes, 2.0 liter or 4.5 liter. Made of enameled cast iron.



## MORSØ CONFORM FIRE TOOLS

The Morsø Conform Fire Tools, designed by Karsten Aagaard, is a modern version of the Classic Fire Tools, consisting of shovel, broom, and poker.



## MORSØ MOISTURE METER

Ensures that wood fuel has the correct moisture content thus maximizing fuel combustion and fuel efficiency.



## MORSØ CANVAS WOOD CARRIER

Made of black canvas and has sturdy wooden handles.



## MORSØ FIRE TOOLS CLASSIC

The classic Morsø, with the Morsø squirrel. Height: 27"



## MORSØ ASH AND STORAGE BUCKET

This four gallon bucket comes with a tight fitting lid to ensure containment of ashes until all embers are put out. Height x Diameter 14½" x 12"



# Original accessories



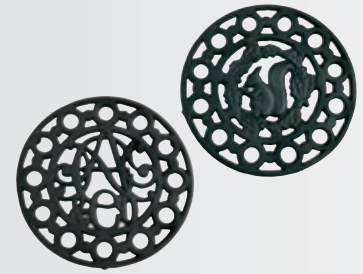
MORSØ LEATHER GLOVE

This protective glove is made of thick leather. The gloves are available for both left and right hand.



MORSØ MINI STOVE

The Morsø Mini Stove 2B Classic is made from the same high-quality cast iron and with the same impeccable craftsmanship as a regular Morsø stove.  
2BUO: 10 1/2" (h) x 3" (w) x 7" (d)



MORSØ CAST IRON TRIVET

Two Morsø trivets are available: the Classic Morsø Trivet with the original Morsø trademark from the 18th century monogrammed in the center; and the new Morsø Trivet that features the ever-popular Morsø squirrel.



LOOP LOG RING & FIREPLACE TOOL SET

The Morsø loop Log Ring incorporates a soft rubber handle for carrying comfort and a soft rubber mat/tray. Dimensions: Mat: 24" x 14 1/2". Loop: ø 19"



ASSEMBLY AND MAINTENANCE

Owning a stove is a commitment and you must take care of your Morsø stove if you want it to last a long time. In this regard we advise you to use only genuine Morsø materials for installation and regular maintenance.



MORSØ ELLIPSE FIRE TOOLS

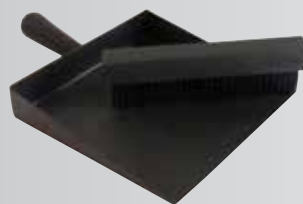
Morsø Ellipse Fire tools consist of a brush, shovel, a poker which doubles as a blower pipe and a bucket. The tools are kept in the bucket which is also suitable for gloves and matches. When cleaning out the stove the bucket is also ideal for carrying the ashes. The blower function on the poker is ideal when you want to get extra air during lighting

MORSØ HEARTH PLATES

The Morsø black and steel hearth plates are made from 2 mm high-quality steel with a non-gloss finish that matches Morsø stoves. The Morsø glass hearth plate is made with 8 mm clear glass that has a specially beveled edge to give the hearth plate an elegant and exclusive look. The steel square and rectangle plates have slightly rounded edges.

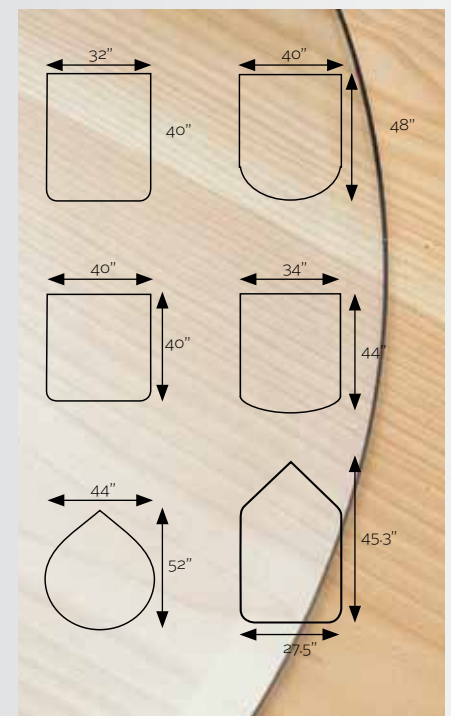
MORSØ CHILDGUARD

Efficient and elegant, this superbly constructed Morsø accessory is equipped with two side panels and wall fittings. Height x Width x Length: 27 1/2" x 39" x 37".

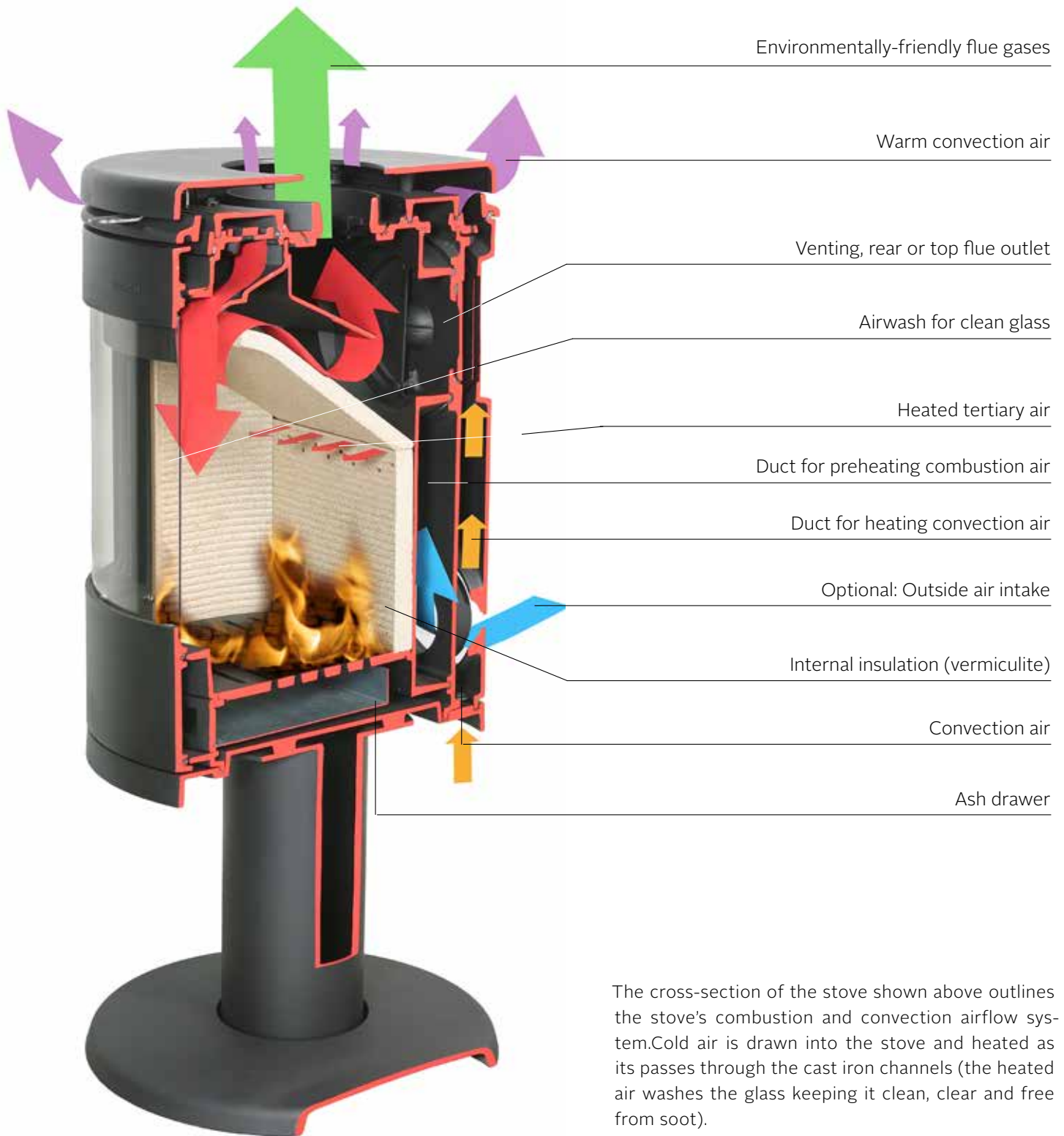


MORSØ DUSTPAN & BROOM

The dustpan is 7 3/4" wide and functionally executed with ergonomic rubber handles.



# ENVIRONMENTALLY FRIENDLY COMBUSTION



The cross-section of the stove shown above outlines the stove's combustion and convection airflow system. Cold air is drawn into the stove and heated as it passes through the cast iron channels (the heated air washes the glass keeping it clean, clear and free from soot).

The hot air also provides perfectly heated combustion air (in addition the heated tertiary air aids secondary combustion of any smoke and gasses, increasing efficiency and reducing the environmental impact).



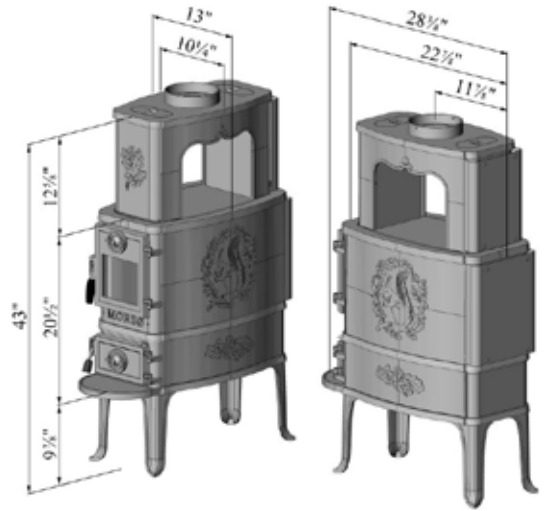
We're hot for fire. One of our most important areas of expertise is the production of environmentally-aware stoves, and we happily describe ourselves as experts in combustion technology.

# 2B-CLASSIC



Radiant  
 Maximum Heat . . . . . 35,000 BTU/hr  
 Log size . . . . . 18"  
 Max. Area Heated . . . . . 1200 ft<sup>2</sup>  
 Firebox Dimensions . . . 7" W x 21½" D  
 Firebox volume/capacity . . . 0.82 ft<sup>3</sup>  
 Gross Weight . . . . . 253 Lbs  
 Outside air supply . . . . . Not available

Basic Clearance (using single wall pipe top vent)  
 Stove to side wall . . . . . 26"  
 Stove to rear wall. . . . . 7"  
 Stove to corner. . . . . 22"



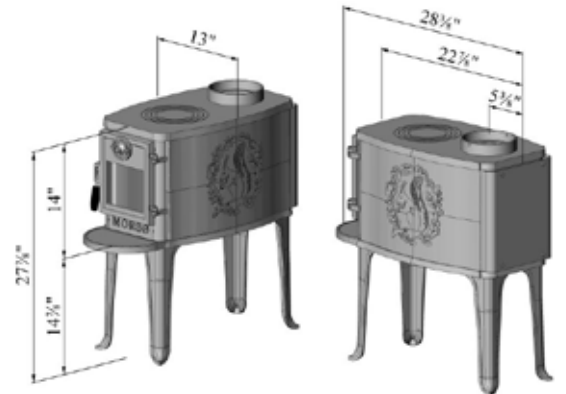
For all clearance options download installation manual from [www.morsona.com](http://www.morsona.com)

# 2B-STANDARD

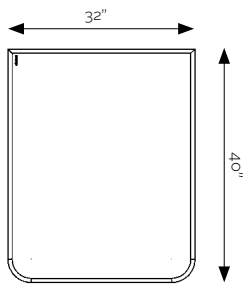
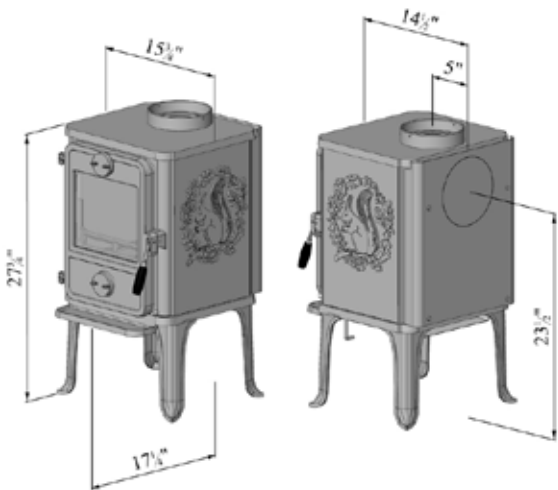


Radiant  
 Maximum Heat . . . . . 35,000 BTU/hr  
 Log size . . . . . 18"  
 Max. Area Heated . . . . . 1200 ft<sup>2</sup>  
 Firebox Dimensions . . . 7" W x 21½" D  
 Firebox volume/capacity . . . 0.806 ft<sup>3</sup>  
 Gross Weight . . . . . 156 Lbs  
 Outside air supply . . . . . Not available

Basic Clearance (using single wall pipe top vent)  
 Stove to side wall . . . . . 26"  
 Stove to rear wall. . . . . 16"  
 Stove to corner. . . . . 16"



For all clearance options download installation manual from [www.morsona.com](http://www.morsona.com)



MORSØ DESIGN GLASS  
HEARTH PAD -  
CODE: 62919400 -

Radiant  
Maximum Heat. . . . . 30,000 BTU/hr  
Log size . . . . . 12"  
Max. Area Heated . . . . . 1000 ft<sup>2</sup>  
Firebox Dimensions 12<sup>1</sup>/<sub>4</sub>" W x 10<sup>3</sup>/<sub>4</sub>" D  
Firebox volume/capacity . . .0.736 ft<sup>3</sup>  
Outside air supply . . . Not Available  
Gross Weight . . . . . 215 Lbs

Basic Clearance (using single wall pipe top vent)  
Stove to side wall . . . . . 20"  
Stove to rear wall . . . . . 16"  
Stove to corner . . . . . 14"

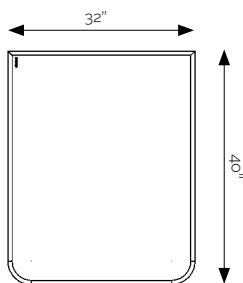
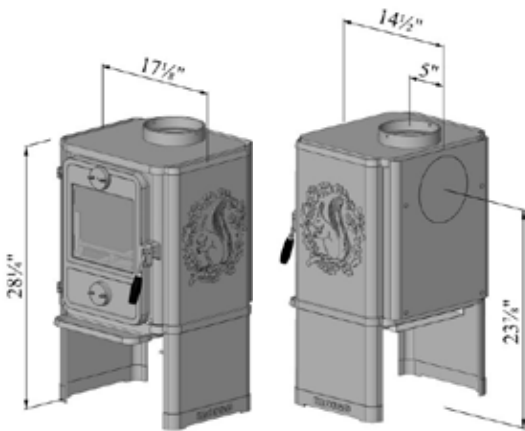
Basic Clearance (using double wall pipe top vent)  
Stove to side wall . . . . . 20"  
Stove to rear wall . . . . . 6"  
Stove to corner . . . . . 14"



1410



For all clearance options download installation manual from [www.morsona.com](http://www.morsona.com)



MORSØ DESIGN GLASS  
HEARTH PAD -  
CODE: 62919400 -

Convection  
Maximum Heat. . . . . 30,000 BTU/hr  
Log size . . . . . 12"  
Max. Area Heated . . . . . 1000 ft<sup>2</sup>  
Firebox Dimensions 12<sup>1</sup>/<sub>4</sub>" W x 10<sup>3</sup>/<sub>4</sub>" D  
Firebox volume/capacity . . .0.736 ft<sup>3</sup>  
Outside air supply . . . Not Available  
Gross Weight . . . . . 222 Lbs

Basic Clearance (using single wall pipe top vent)  
Stove to side wall . . . . . 8"  
Stove to rear wall . . . . . 10"  
Stove to corner . . . . . 7"

Basic Clearance (using double wall pipe top vent)  
Stove to side wall . . . . . 8"  
Stove to rear wall . . . . . 6"  
Stove to corner . . . . . 7"



1440

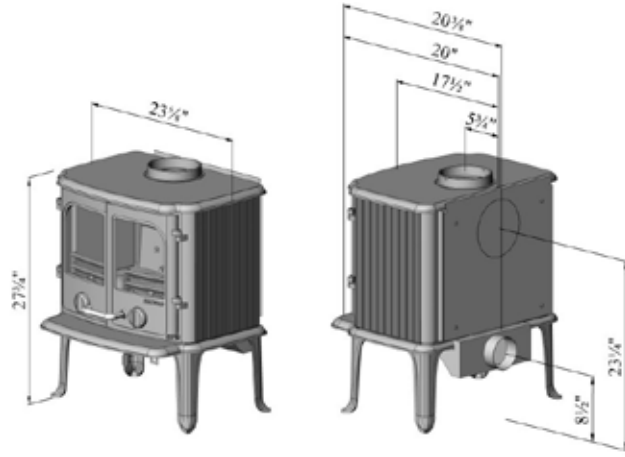


For all clearance options download installation manual from [www.morsona.com](http://www.morsona.com)

2110



Radiant  
 Maximum Heat . . . 42,000 BTU/hr  
 Log size . . . . . 18.5"  
 Max. Area Heated . . . . . 1400 ft<sup>2</sup>  
 Firebox Dimensions 18<sup>3</sup>/<sub>4</sub>" W x 12<sup>1</sup>/<sub>2</sub>" D  
 Firebox volume/capacity . . . 1.093 ft<sup>3</sup>  
 Outside air supply . . . . . Available  
 Gross Weight . . . . . 279 Lbs



Basic Clearance (using single wall pipe top vent)  
 Stove to side wall . . . . . 22"  
 Stove to rear wall . . . . . 20"  
 Stove to corner . . . . . 16"

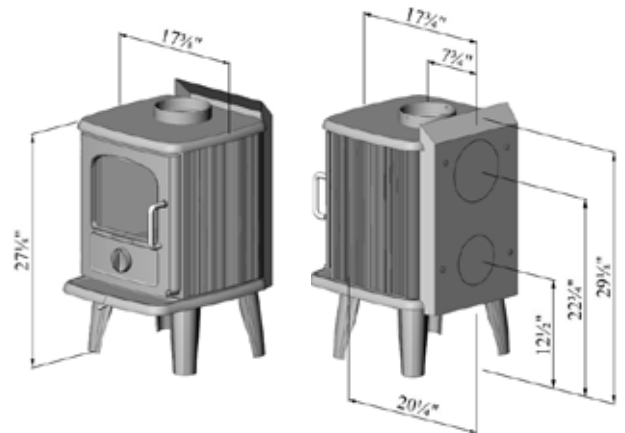
Basic Clearance (using double wall pipe top vent)  
 Stove to side wall . . . . . 20"  
 Stove to rear wall . . . . . 16"  
 Stove to corner . . . . . 14"

For all clearance options download installation manual from [www.morsona.com](http://www.morsona.com)

3112



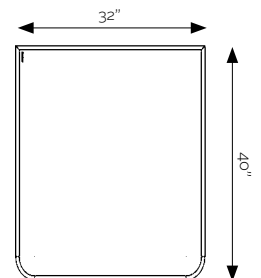
Radiant  
 Maximum Heat . . . . . 30,000 BTU/hr  
 Log size . . . . . 12"  
 Max. Area Heated . . . . . 1000 ft<sup>2</sup>  
 Firebox Dimensions 13<sup>1</sup>/<sub>4</sub>" W x 12<sup>1</sup>/<sub>2</sub>" D  
 Firebox volume/capacity . . . . 0.9 ft<sup>3</sup>  
 Outside air supply . . . . . Available  
 Gross Weight . . . . . 245 Lbs  
 Mobile home approved . . . . . Yes



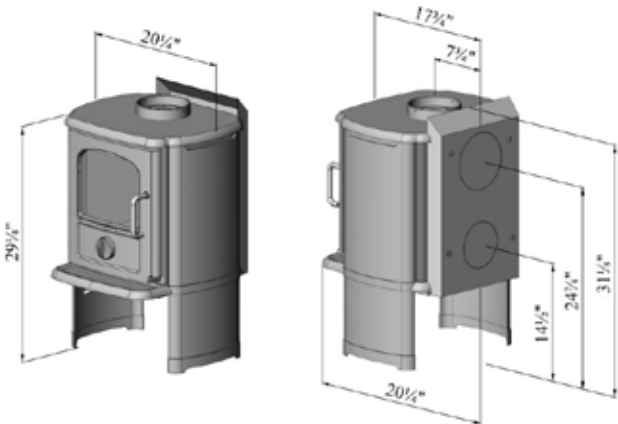
Basic Clearance (using single wall pipe top vent)  
 Stove to side wall . . . . . 20"  
 Stove to rear wall . . . . . 12"  
 Stove to corner . . . . . 17"

Basic Clearance (using double wall pipe top vent)  
 Stove to side wall . . . . . 20"  
 Stove to rear wall . . . . . 8"  
 Stove to corner . . . . . 15"

MORSØ DESIGN GLASS HEARTH PAD -  
 CODE: 62919400 -



For all clearance options download installation manual from [www.morsona.com](http://www.morsona.com)



Convection

Maximum Heat . . . . . 30,000 BTU/hr  
 Log size . . . . . 12"  
 Max. Area Heated . . . . . 1000 ft<sup>2</sup>  
 Firebox Dimensions 13 1/4" W x 12 1/2" D  
 Firebox volume/capacity . . . . . 0.9 ft<sup>3</sup>  
 Outside air supply . . . . . Available  
 Gross Weight . . . . . 272 Lbs  
 Mobile home approved . . . . . Yes



3142

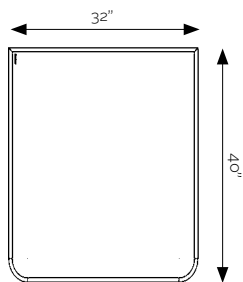


Basic Clearance (using single wall pipe top vent)

Stove to side wall . . . . . 16"  
 Stove to rear wall . . . . . 9"  
 Stove to corner . . . . . 13"

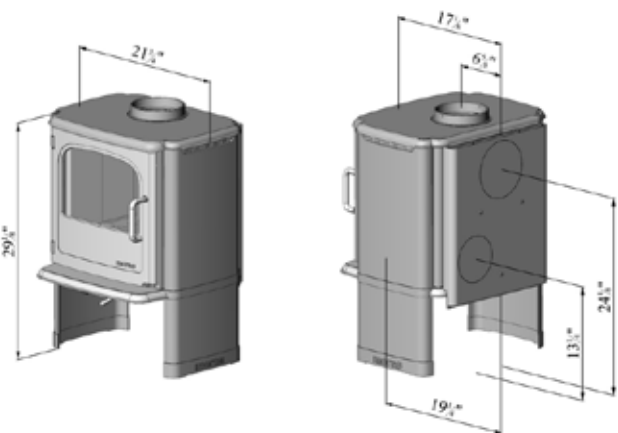
Basic Clearance (using double wall pipe top vent)

Stove to side wall . . . . . 16"  
 Stove to rear wall . . . . . 7"  
 Stove to corner . . . . . 11"



MORSØ DESIGN GLASS HEARTH PAD -  
 CODE: 62919400 -

For all clearance options download installation manual from [www.morsona.com](http://www.morsona.com)



Convection

Maximum Heat. . . . . 35,000 BTU/hr  
 Log size . . . . . 15"  
 Max. Area Heated . . . . . 1200 ft<sup>2</sup>  
 Firebox Dimensions . . 15 1/2" W x 13" D  
 Firebox volume/capacity . . 0.995 ft<sup>3</sup>  
 Outside air supply . . . . . Available  
 Gross Weight . . . . . 279 Lbs  
 Mobile home approved . . . . . Yes

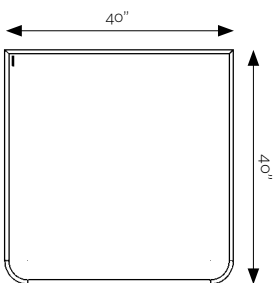


3440



Basic Clearance (using single wall pipe top vent)

Stove to side wall . . . . . 8"  
 Stove to rear wall . . . . . 8"  
 Stove to corner . . . . . 6"



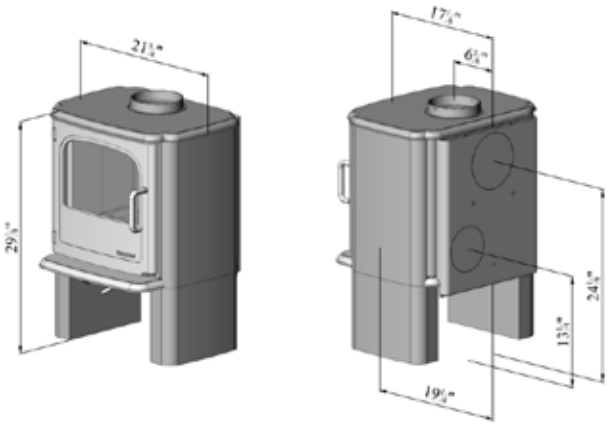
MORSØ DESIGN GLASS HEARTH PAD -  
 CODE: 62919500 -

For all clearance options download installation manual from [www.morsona.com](http://www.morsona.com)

3450

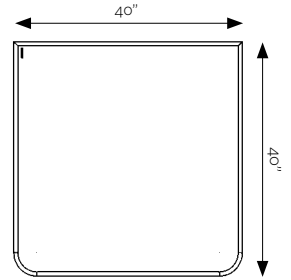


Radiant  
 Maximum Heat . . . 35,000 BTU/hr  
 Log size . . . . . 15"  
 Max. Area Heated . . . . . 1200 ft<sup>2</sup>  
 Firebox Dimensions . 15½" W x 13" D  
 Firebox volume/capacity . 0.995 ft<sup>3</sup>  
 Outside air supply . . . . Available  
 Gross Weight . . . . . 440 Lbs  
 Mobile home approved . . . . . Yes



Basic Clearance (using single wall pipe top vent)  
 Stove to side wall . . . . . 16"  
 Stove to rear wall . . . . . 12"  
 Stove to corner . . . . . 12"

MORSØ DESIGN GLASS  
 HEARTH PAD -  
 CODE: 629195 00 -

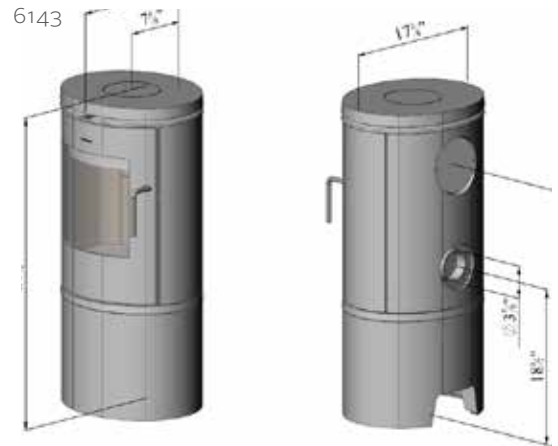


For all clearance options download installation manual from [www.morsona.com](http://www.morsona.com)

6100-SERIES



Convection  
 Maximum Heat . . . 30,000 BTU/hr  
 Test fuel load . . . . . 5.21 lbs  
 Particulate Emission . . . 4.1 gm/hr  
 Log size . . . . . 11"  
 Max. Area Heated . . . . . 1000 ft<sup>2</sup>  
 Firebox Dimensions . 13" W x 10" D  
 Firebox volume/capacity . .0.744 ft<sup>3</sup>  
 Outside air supply . . . . Available  
 Gross Weight . . . . . 258 - 285 Lbs  
 Mobile home approved . . . . . Yes

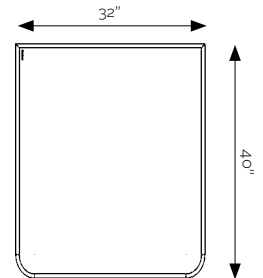


Basic Clearance (using single wall pipe top vent)  
 Stove to side wall . . . . . 10"  
 Stove to rear wall . . . . . .3"  
 Stove to corner . . . . . .5"

Height:  
 6140 - 29 3/4" / 6143 - 37 1/2" / 6148 - 37 1/2"

Basic Clearance (using double wall pipe top vent)  
 Stove to side wall . . . . . 10"  
 Stove to rear wall . . . . . .2"  
 Stove to corner . . . . . .5"

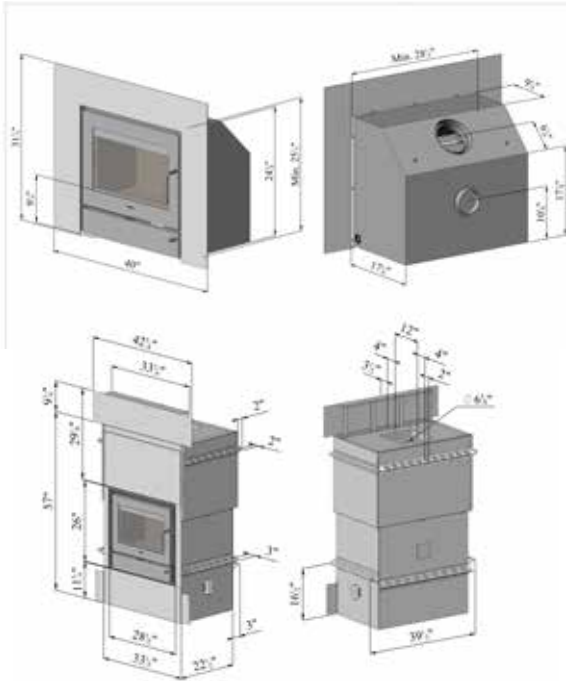
MORSØ DESIGN GLASS  
 HEARTH PAD -  
 CODE: 62919400 -



For all clearance options  
 download installation manual  
 from [www.morsona.com](http://www.morsona.com)



# 5660-BLOWER



Convection  
 Maximum Heat . . . . . 50,000 BTU/hr  
 Log size . . . . . 20"  
 Max. Area Heated . . . . . 2200 ft<sup>2</sup>  
 Firebox Dimensions . . . 20<sup>3</sup>/<sub>4</sub>" W x 11" D  
 Fireplace opening 28<sup>3</sup>/<sub>4</sub>" W x 19<sup>1</sup>/<sub>4</sub>" D x 26" H  
 Firebox volume/capacity . . . . . 1.49 ft<sup>3</sup>  
 Outside air supply . . . . . Available  
 Gross Weight . . . . . 383 Lbs

**Basic Clearance**

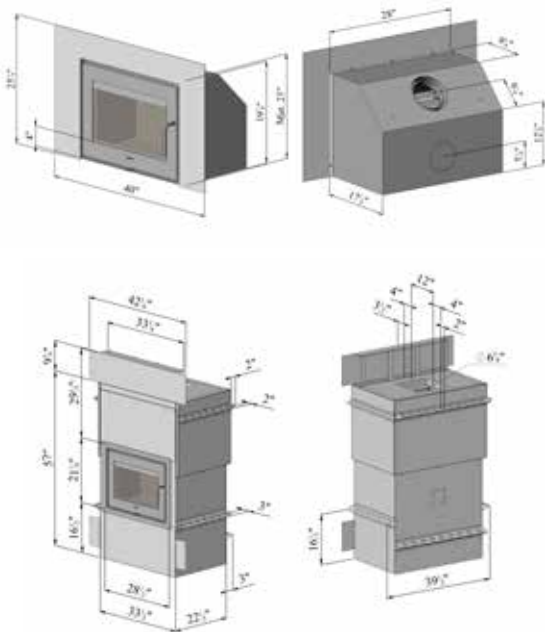
Stove to side wall . . . . . 17"  
 Stove to top . . . . . 28<sup>1</sup>/<sub>2</sub>"  
 Stove to side trim . . . . . 8"  
 Stove to mantle . . . . . 26<sup>1</sup>/<sub>2</sub>"

**Optional:**

3-sided wide trim kit 38.5" (W) x 31" (H)  
 3-sided wide trim kit 42.5" (W) x 33" (H)  
 3-sided wide trim kit 46 3/8" (W) x 35" (H)  
 Morsø 5660 Zero-Clearance Enclosure:  
 67"H x 39<sup>3</sup>/<sub>4</sub>W x 25<sup>1</sup>/<sub>2</sub>D. Optional 5660  
 Zero Clearance Enclosure Blower kit. The  
 fan is "high quality adjustable 110 CFM fan  
 that is powerful and very quiet.

For all clearance options download installation manual from [www.morsona.com](http://www.morsona.com)

# 5660-STANDARD



Convection  
 Maximum Heat . . . . . 50,000 BTU/hr  
 Log size . . . . . 20"  
 Max. Area Heated . . . . . 2200 ft<sup>2</sup>  
 Firebox Dimensions . . . 20<sup>3</sup>/<sub>4</sub>" W x 11" D  
 Fireplace opening 28<sup>3</sup>/<sub>4</sub>" W x 19<sup>1</sup>/<sub>4</sub>" D x 21<sup>1</sup>/<sub>4</sub>" H  
 Firebox volume/capacity . . . . . 1.49 ft<sup>3</sup>  
 Gross Weight . . . . . 275 Lbs  
 Outside air supply . . . . . Available

**Basic Clearance**

Stove to side wall . . . . . 17"  
 Stove to top . . . . . 26<sup>1</sup>/<sub>2</sub>"  
 Stove to side trim . . . . . 8"  
 Stove to mantle . . . . . 28<sup>1</sup>/<sub>2</sub>"

**Optional:**

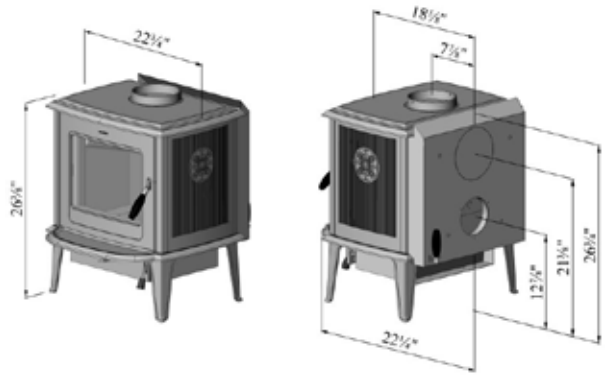
3-sided wide trim kit 40" (W) x 25.25" (H)  
 4-sided wide trim kit 40" (W) x 33.75" (H)  
 Morsø 5660 Zero-Clearance Enclosure  
 67"H x 39<sup>3</sup>/<sub>4</sub>W x 25<sup>1</sup>/<sub>2</sub>D  
 Optional 5660 Zero Clearance Enclosure

For all clearance options download installation manual from [www.morsona.com](http://www.morsona.com)

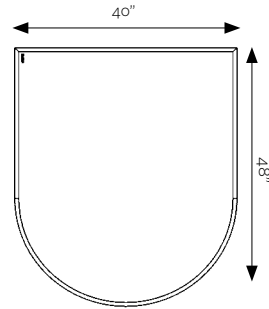
7110



Radiant  
 Maximum Heat . . . . . 45,000 BTU/hr  
 Log size . . . . . 16.5"  
 Max. Area Heated . . . . . 1300 ft<sup>2</sup>  
 Firebox Dimensions . . 17½" W x 9" D  
 Firebox volume/capacity . . . 1.04 ft<sup>3</sup>  
 Outside air supply . . . . . Available  
 Gross Weight . . . . . 309 Lbs  
 Mobile home approved . . . . . Yes



Basic Clearance (using single wall pipe top vent)  
 Stove to side wall . . . . . 16"  
 Stove to rear wall. . . . . 6½"  
 Stove to corner. . . . . 8½"

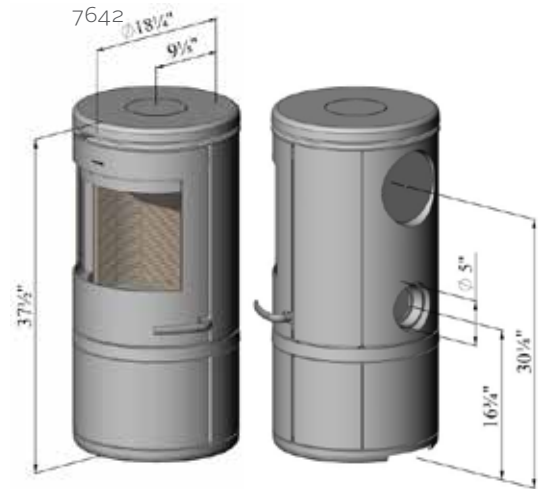


For all clearance options download installation manual from [www.morsona.com](http://www.morsona.com)

7600-SERIES

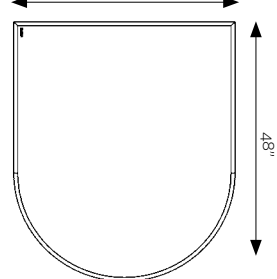


Convection  
 Maximum Heat . . . . . 35,000 BTU/hr  
 Log size . . . . . 11"  
 Max. Area Heated . . . . . 1200 ft<sup>2</sup>  
 Firebox Dimensions . . 13" W x 10½" D  
 Firebox volume/capacity . . . 0,85 ft<sup>3</sup>  
 Gross Weight . . . . . 300 -348 Lbs  
 Outside air supply . . . . . Available  
 Mobile home approved . . . . . Yes



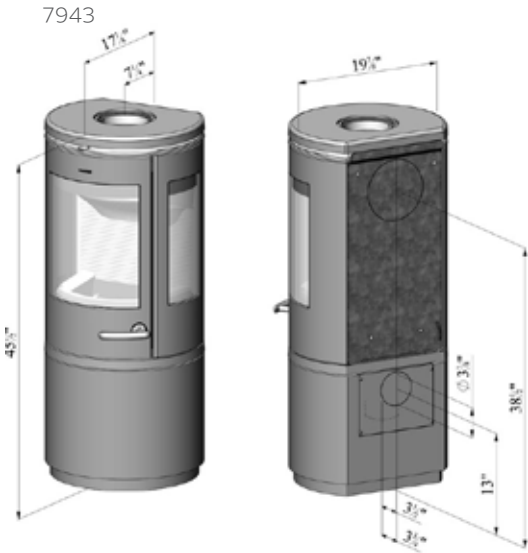
Basic Clearance (using single wall pipe top vent)  
 Stove to side wall . . . . . 15"  
 Stove to rear wall. . . . . 1"  
 Stove to corner. . . . . 2½"

Height:  
 7642 - 37 1/2" / 7644 - 40 3/4" / 7648 - 39 7/8"



MORSØ DESIGN GLASS HEARTH PAD -  
 CODE: 62919600 -

For all clearance options download installation manual from [www.morsona.com](http://www.morsona.com)



Height:  
 7940 - 40 5/8" / 7943 - 45 1/2" / 7948 - 45 1/2" /  
 7970 - 29 3/4" / 7990 - 53 3/8"

Convection  
 Maximum Heat . . . . . 35,000 BTU/hr  
 Log size . . . . . 9"  
 Max. Area Heated . . . . . 1200 ft<sup>2</sup>  
 Firebox Dimensions . 11,5" W x 10" D  
 Firebox volume/capacity . . . 0,76 ft<sup>3</sup>  
 Gross Weight . . . . . 348 - 429 Lbs  
 Outside air supply . . . . . Available  
 Mobile home approved . . . . . No

Basic Clearance (using single wall pipe top vent)  
 Stove to side wall . . . . . 23"  
 Stove to rear wall. . . . . 5"  
 Stove to corner. . . . . 7"

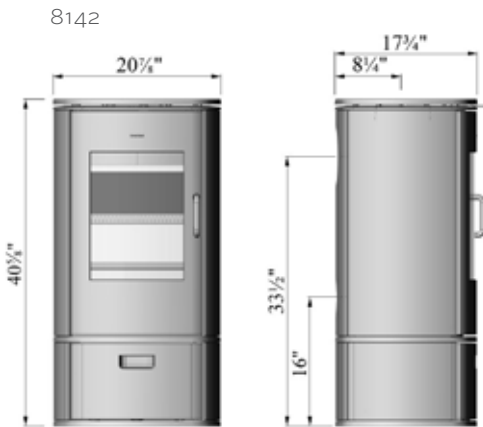


**7900-SERIES**



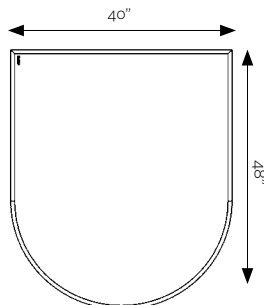
**75%+**  
 IRS Tax Credit

For all clearance options download installation manual from [www.morsona.com](http://www.morsona.com)



Height:  
 8140 - 34 1/4" / 8142 - 40 5/8" / 8148 - 44 1/8"  
 / 8150 - 41 1/8"

MORSØ DESIGN GLASS  
 HEARTH PAD -  
 CODE: 62919600 -



Convection  
 Maximum Heat. . . . . 35,000 BTU/hr  
 Log size. . . . . 12"  
 Max. Area Heated . . . . . 1200 ft<sup>2</sup>  
 Firebox Dimensions 13 3/4" W x 11 1/2" D  
 Firebox volume/capacity . . . 1.05 ft<sup>3</sup>  
 Gross Weight 8140. . . 384 - 764 Lbs

Outside air supply . . . . . Available  
 Mobile home approved . . . . . Yes

Basic Clearance (using single wall pipe top vent)  
 Stove to side wall . . . . . 10"  
 Stove to rear wall . . . . . 6"  
 Stove to corner . . . . . 6"

Basic Clearance (using double wall pipe top vent)  
 Stove to side wall . . . . . 10"  
 Stove to rear wall . . . . . 2"  
 Stove to corner . . . . . 3,5"



**8100-SERIES**



**75%+**  
 IRS Tax Credit

For all clearance options download installation manual from [www.morsona.com](http://www.morsona.com)

## THE DEFINITION OF HYGGE

---

Morsø has proudly supplied “hygge” since 1853, creating bliss and joy. It's the feeling of the great and the small and the things surrounding us coming perfectly together. And the most amazing thing? Somehow, all of it is passed down from generation to generation. Just like a Morsø

---



By appointment to The Royal Danish Court

**morsø**

[www.morsoe.com](http://www.morsoe.com)