



Features

- Ventless design
- 304 Stainless steel
- Fans provide zone heating up to 10'

OUTDOOR / PROUDLY HANDCRAFTED IN NORTH AMERICA



MAHANA

OUTDOOR SERIES

A WARM BREEZE

PL42VO
PL60VO

VENTLESS
OUTDOOR

**MAHANA
CONTEMPORARY**

Standard

- Concealed burner with Quartz firebeads
- Built in fan system
- Safety screen

Options

- LED backlighting
- Stainless steel and powdercoated enclosures
- Enclosure pedestal
- Enclosure cover
- Speckled stones, driftwood, glass media
- Remote control on/off



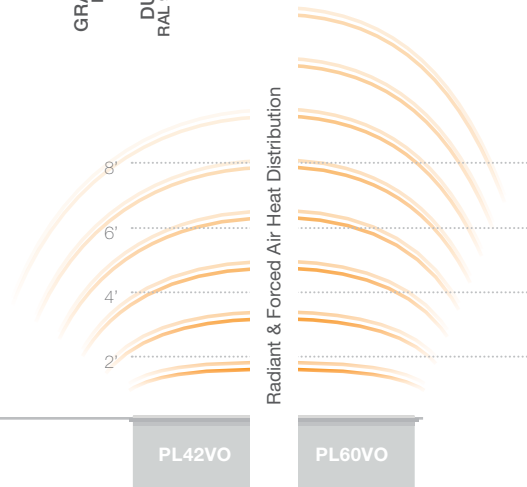
CARBON
RAL 9005

GRAPHITE
RAL 7015

DUNE
RAL 9002

QUICK DIMENSIONS

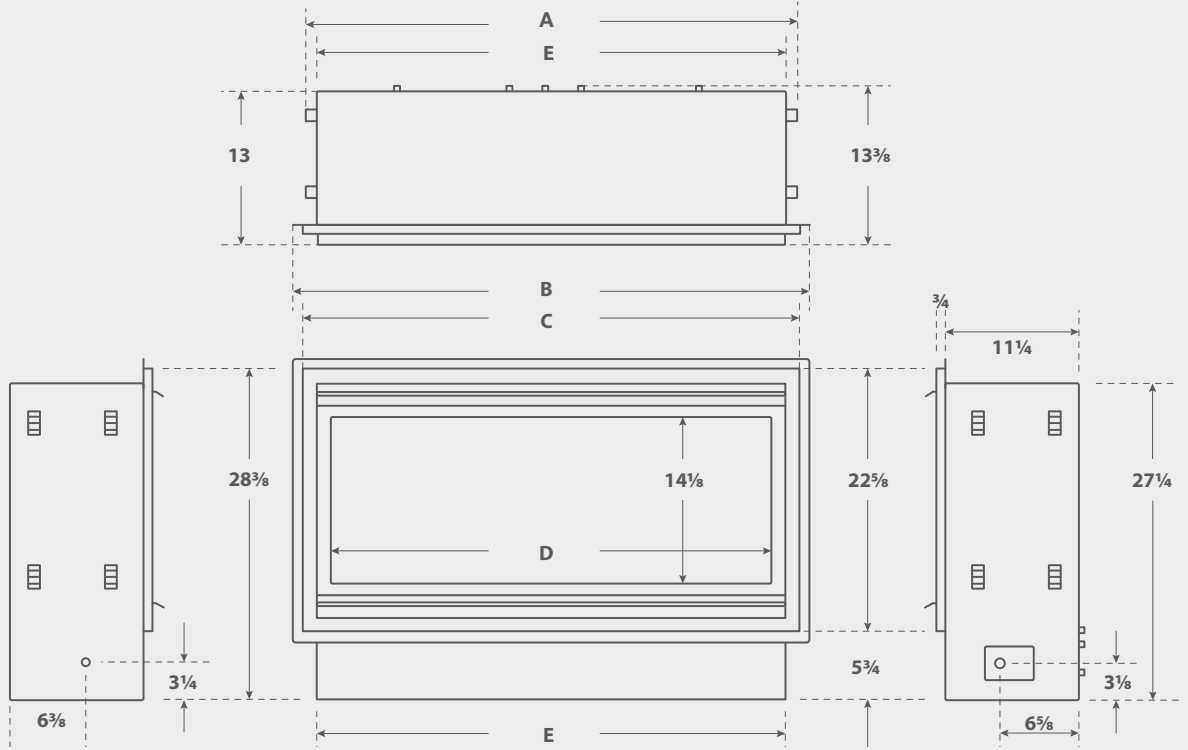
| | PL42VO | | PL60VO | |
|---------|---|--------------------------------|---|--------------------------------|
| | UNIT | FRAM. | UNIT | FRAM. |
| F.WIDTH | 43 ³ / ₈ | 42 | 67 ³ / ₈ | 66 |
| B.WIDTH | 41 ⁵ / ₈ | 42 | 65 ⁵ / ₈ | 66 |
| HEIGHT | 28 ⁷ / ₈ | 32 ¹ / ₂ | 28 ⁷ / ₈ | 32 ¹ / ₂ |
| DEPTH | 13 | 11 ⁵ / ₈ | 13 | 11 ⁵ / ₈ |
| VIEWING | 37 ¹ / ₄ x 14 ¹ / ₈ | | 61 ¹ / ₄ x 14 ¹ / ₈ | |



BTU LISTING
PL42VO* / 28,000
PL60VO* / 47,000



MAHANA DIMENSIONS



| | A | B | C | D | E |
|--------|--------|--------|----|--------|--------|
| PL42VO | 41 1/8 | 43 3/8 | 42 | 37 1/4 | 39 3/4 |
| PL60VO | 65 5/8 | 67 7/8 | 66 | 61 1/4 | 63 3/4 |

For enclosure dimensions please reference framing dimensions page



CERULEAN
RAL 5018

CITRUS
RAL 2004

SANGRIA
RAL 3003

SOL
RAL 1018

MONTIGO / MAHANA / PL60VO / QUARTZ FIREBEADS /



Features

Listed for wood frame construction and facing

Mount a TV directly above the fireplace

OPTIONS & FEATURES



ENCLOSURES
PLVOBE**



ENCLOSURE
PEDESTAL
PL**VOBE-P



ENCLOSURE COVER
PL**CVR



LED BACKLIGHTING
PLVOBE**



REMOTE ON/OFF
RXM40VACVO

Unit Specifications

ICON LEGEND

AVAILABLE +

NOT AVAILABLE -

DEDICATED ◊

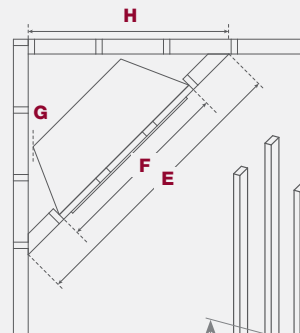
STANDARD ○

| | BTU NATURAL GAS | BTU LIQUID PROPANE | CLEARANCE TOP | CLEARANCE SIDES | CLEARANCE BACK | CLEARANCE FLOOR | STANDARD MEDIA | FRONT GLASS TYPE | POWERVENT | REMOTE CONTROL | FANS | UPLIGHTING | DOWNLIGHTING |
|-----------|-----------------|--------------------|---------------|-----------------|----------------|-----------------|----------------|------------------|-----------|----------------|------|------------|--------------|
| H34VO** | 26,000 | 26,000 | 9 | 1† | 1† | 0 | TRADITIONAL | HIGH TEMPERATURE | - | - | - | - | - |
| H38VO** | 34,000 | 34,000 | 9 | 1† | 1† | 0 | TRADITIONAL | HIGH TEMPERATURE | - | - | - | - | - |
| HL38VO** | 34,000 | 34,000 | 9 | 1† | 1† | 0 | HW1157 | HIGH TEMPERATURE | - | - | - | - | - |
| H38SVO** | 34,000 | 34,000 | 36 | 12 | N/A | 0 | TRADITIONAL | HIGH TEMPERATURE | - | - | - | - | - |
| HL38SVO** | 34,000 | 34,000 | 36 | 12 | N/A | 0 | HW1157 | HIGH TEMPERATURE | - | - | - | - | - |
| H42VO** | 40,000 | 40,000 | 9 | 1† | 1† | 0 | TRADITIONAL | HIGH TEMPERATURE | - | - | - | - | - |
| PL42VO* | 28,000 | 28,000 | 0 | 1 | 0 | 0 | HW1106 | HIGH TEMPERATURE | - | - | ◊ | + | - |
| PL60VO* | 47,000 | 47,000 | 0 | 1 | 0 | 0 | HW1106 | HIGH TEMPERATURE | - | - | ◊ | + | - |

†Clearance to insulation jacket is 0"

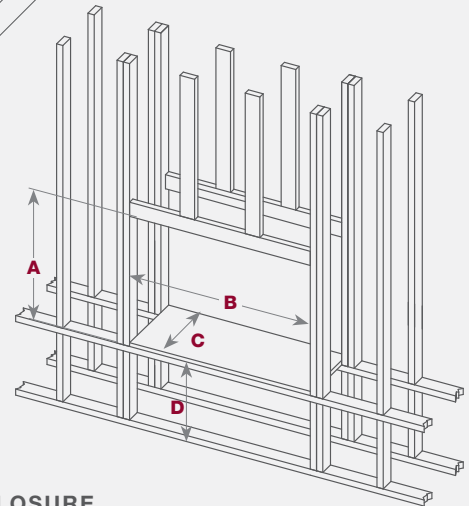
DIVINE OUTDOOR FRAMING

| | A | B | C | D | E | F | G | H |
|-------|-----|-----|------|---|-----|-----|---|-----|
| H34VO | 38¾ | 35⅝ | 20¼† | * | 61⅞ | 35⅝ | 0 | 43⅞ |
| H38VO | 42½ | 39¼ | 21⅝† | * | 65⅞ | 39¼ | 0 | 49⅞ |
| H42VO | 46½ | 43½ | 22⅝† | * | 72¼ | 43½ | 0 | 51⅞ |



DIVINE OUTDOOR ST FRAMING

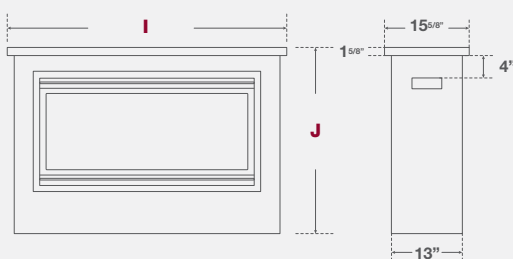
| | A | B | C | D |
|--------|----|----|-----|---|
| H38SVO | 38 | 41 | 23⅞ | * |



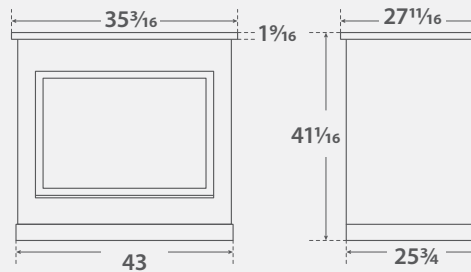
MAHANA FRAMING AND ENCLOSURE

| | A | B | C | D | E | F | G | H | I | J |
|--------|-----|----|-----|---|-----|----|---|-----|-----|-----|
| PL42VO | 27¼ | 42 | 11⅝ | * | 62⅞ | 42 | 0 | 48⅞ | 51⅞ | 34⅝ |
| PL60VO | 27¼ | 66 | 11⅝ | * | 87 | 66 | 0 | 65½ | 76⅞ | 34⅝ |

MAHANA ENCLOSURE



DIVINE OUTDOOR ST ENCLOSURE



See instruction manual for detailed instructions

Be sure to plan a drain system for both in the wall and stand-alone installations.

*Check local codes and manual for minimum distance from grade to unit.

†Dimension is to back wall or back studs