



PL42VOBE ENCLOSURE

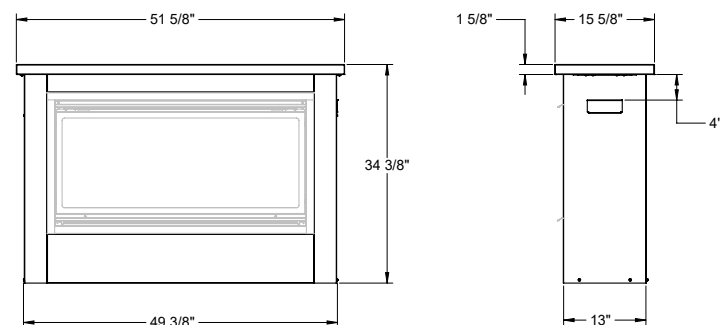
PL60VOBE ENCLOSURE

WARNING

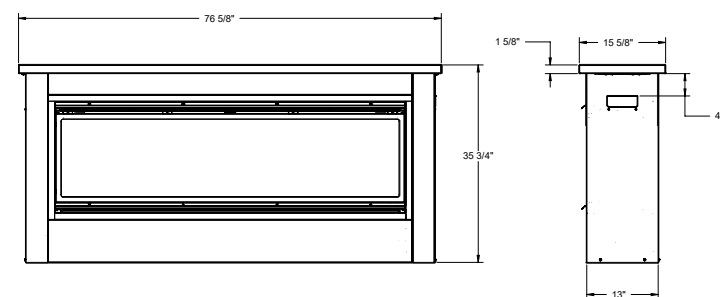
Some materials used in the manufacturing process of this product can expose you to Benzene which is known in the State of California to cause cancer and birth defects or other reproductive harm. For more information go to www.P65warnings.ca.gov

- The installation of this fireplace must be done by a qualified and certified gas appliance installer.
- Check local codes and read all instructions prior to installation.
- Route gas and electrical lines before construction and installation of the enclosure

FINISHED DIMENSIONS



PL42VO ENCLOSURE



PL60VO ENCLOSURE

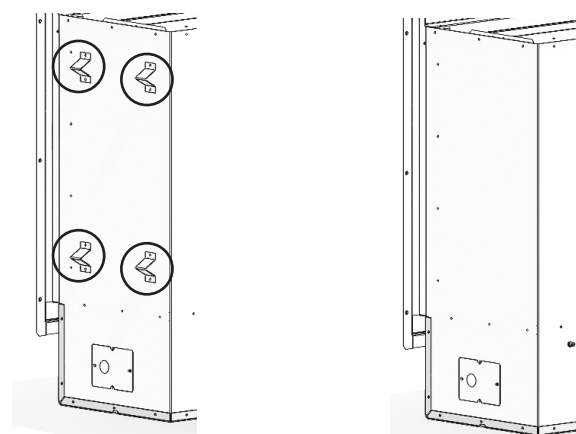
Assembly

WARNING

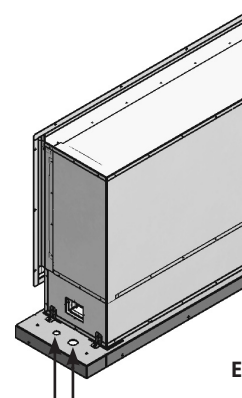
ENSURE THAT ALL PROTECTIVE FILM FROM METAL PARTS IS REMOVED BEFORE ASSEMBLY

- See installation manual for instructions on how to route gas lines and power supply
- See installation manual for clearances to combustibles materials
- Minimum clearance from ground is 3"
- Plan a proper drainage system before installation of the enclosure

1 Remove the (8) standoffs from the fireplace and discard



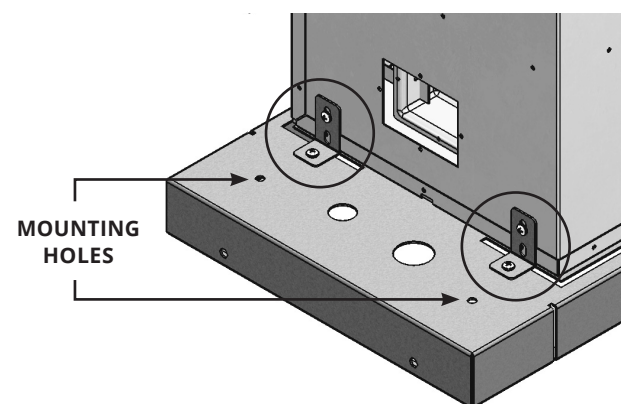
2 Place unit on PART №6 Base and align to cutouts to position.



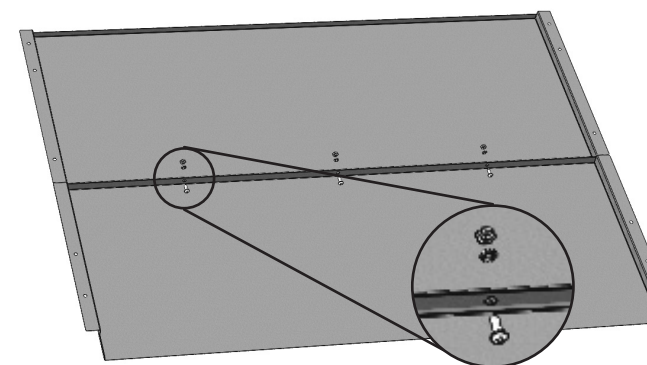
GAS AND ELECTRICAL PORTS

AT THIS POINT OF CONSTRUCTION:
Perform final adjustments on the gas line and electrical, including fan speed adjustment dial. Access to these parts will be limited after this step.

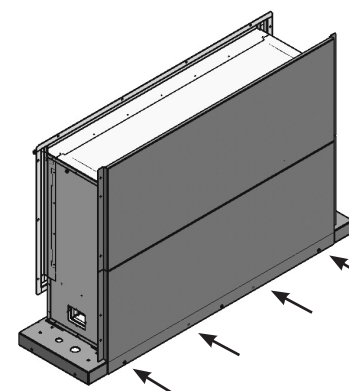
3 Secure PART №9 Bracket (4) to fireplace and base using (8) ¼-20 x ½" long Pan Head Screws. Secure base to desired location with mounting holes and plum gas line thru and electrical lines thru the larger holes in the base



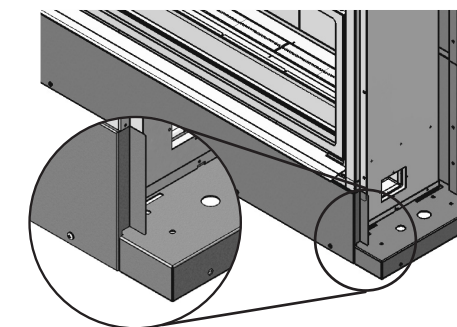
4 Fasten PART №11 Panel Top Back and PART №12 Panel Low Back with ¼-20 x ½" long Pan Head Screws, ¼-20 nuts and Star washers as shown (3 screws for PL42VO, 5 screws for PL60VO)



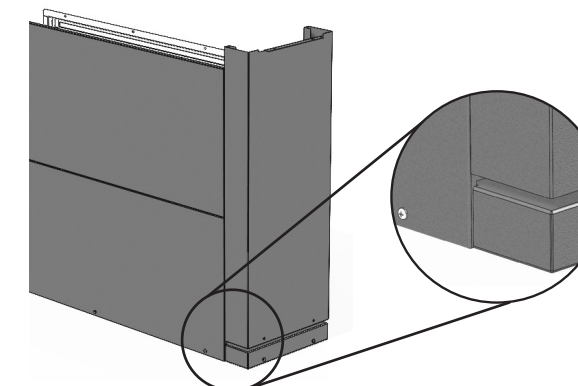
5 Place rear panel assembly on base and secure 4 with ¼-20 x ½" long Pan Head Screws. Panel should sit in notches



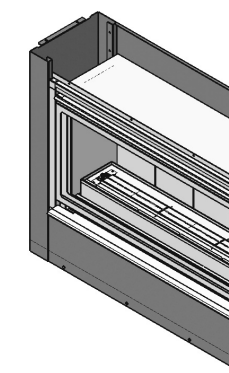
6 Slide PART №1 Front Panel underneath base. Panel should sit in notches.



7 Slide PART №4 Right Panel into notches in base and secure with (2) ¼-20 x ½" long Pan Head Screws



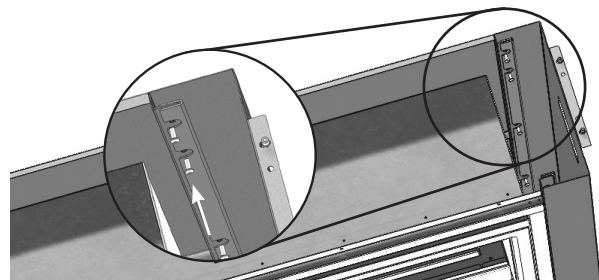
8 Slide PART №3 Left Panel into notches in base and secure with (2) ¼-20 x ½" long Pan Head Screws, Ensure access door is in side with electrical connection



Assembly Cont.

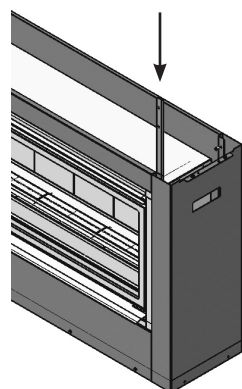
9

Slide **PART №7 Brace** over the back and side panel and secure with (4) ¼-20 x ½" long Pan Head Screws as shown. Repeat on other side with **PART №8 Brace** and (4) screws.



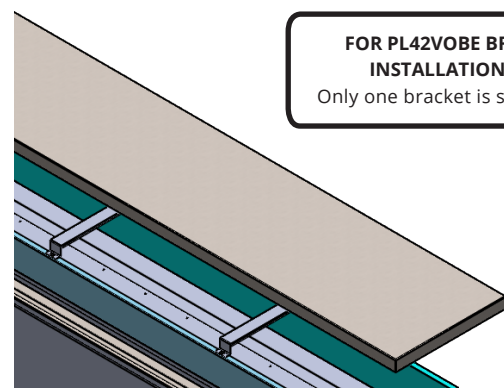
10

Slide **PART №7 Brace** over the front and side panel and secure with (4) ¼-20 x ½" long Pan Head Screws as shown. Repeat on other side with **PART №8 Brace** and (4) screws.



11

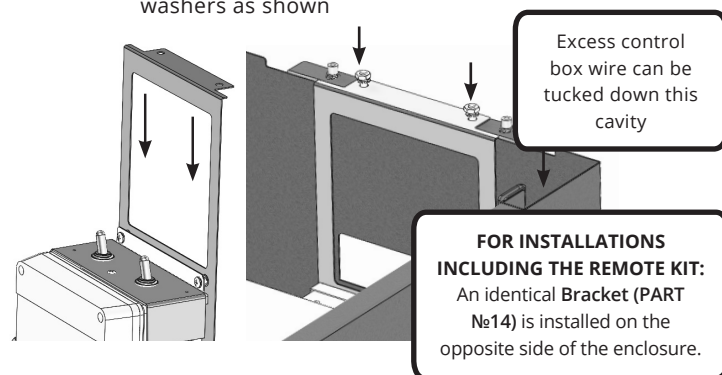
Fasten **PART №15 Braces** to rear panel assembly and Panel Top front with (2) ¼-20 x ½" long Pan Head Screws.



FOR PL42VOBE BRACE INSTALLATIONS:
Only one bracket is supplied

12

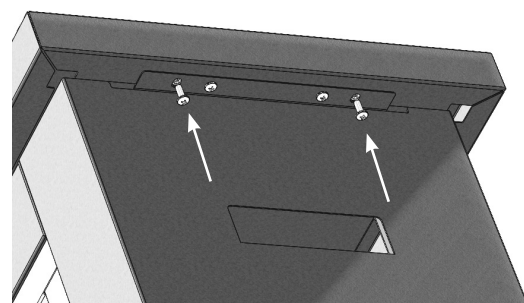
Fasten Electrical Box to **PART №14 Electrical Box Bracket** with (2) ¼-20 x 3/8" long Pan Head Screws
Secure **Electrical Box Bracket** to enclosure with (2) ¼-20 x ½" long Pan Head Screws, (2) ¼-20 nuts and (2) Star washers as shown



13

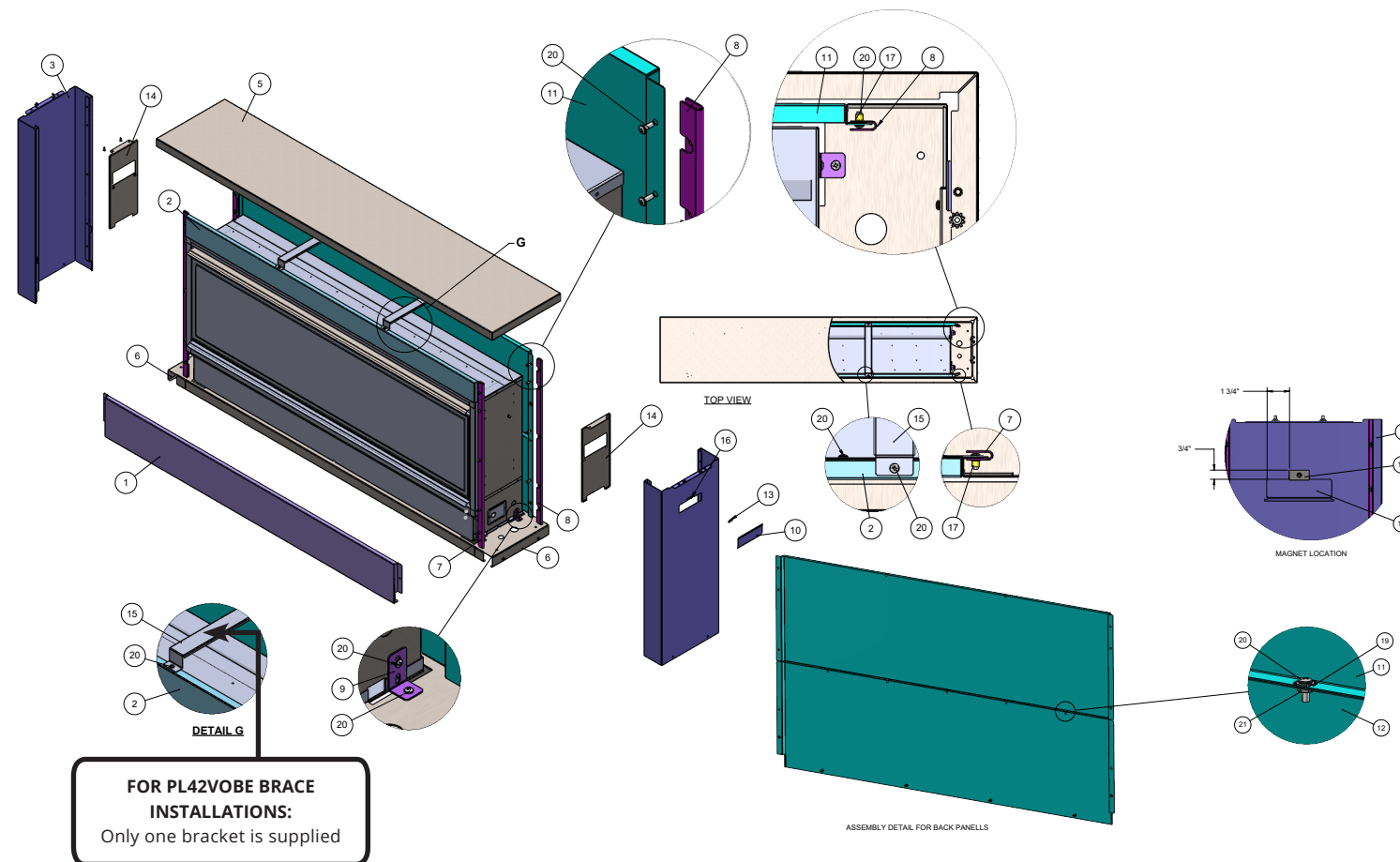
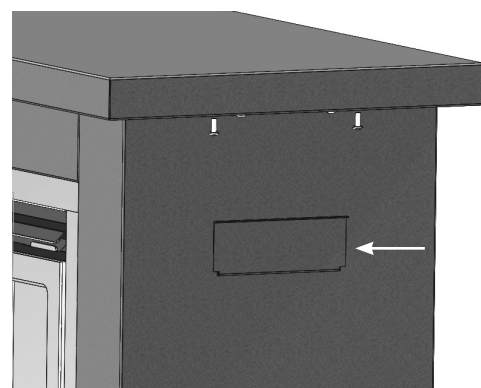
Place **PART №5 Top Cover** on top, ensure clearance holes are over fasteners from control box bracket and secure top with (4) ¼-20 x ½" long Pan Head Screws.

Ensure Electrical and gas is connected properly before fastening top. see Manual.



14

Install **PART №10 Door Side Panel** into unit (install on an angle and rotate down)



PL42VOBE PARTS

№	PART ID#	DESCRIPTION	QUANT.
1	P42VF405SS-20	PANEL, BOTTOM FRONT, 42in ENCLOSURE	1
2	P42VF406SS-20	PANEL, TOP FRONT, 42in ENCLOSURE, SS	1
3	P42VF414SS-20	PANEL, LEFT SIDE, 42in ENCL	1
4	P42VF415SS-20	PANEL, RIGHT SIDE, NARROW, 42in	1
5	P42VF416SS-20	COVER, TOP, NARROW, 42in ENCL	1
6	P42VF417SS-20	BASE, NARROW, 42in ENCL	1
7	P42VF419SS-20	BRACE, 42in ENCL	2
8	P42VF420SS-20	BRACE, 42in ENCL	2
9	P42VF423SS-20	BRACKET, 42in ENCL	4
10	P42VF424SS-20	DOOR, SIDE PANNEL, NARROW, 42in	1
11	P42VF426SS-20	PANEL, TOP BACK, 42in ENCLOSURE	1
12	P42VF427SS-20	PANEL, LOW BACK, 42in ENCLOSURE	1
13	P42VF428-10	PLATE FOR MAGNET	1
14	P42VF429SS-20	BRACKET, SUPPORT, EL BOX, 42in ENCLOSURE	2
15	P42VF430SS-20	BRACE, ENCLOSURE	1
16	HW1103	Magnet plate 40mm x 20mm x 6mm	1
17	HW1161	#10 Nutsert	38
18	HW1245	SCREW, PAN, #10-24 X 3/8", PHIL, SS	4
19	HW2102	WASHER, LOCK, #10, EXT TOOTH, SS	7
20	HW2105	SCREW, PAN, #10-24 X 1/2", PHIL, SS	45
21	HW2174	10-24 Stainless Steel Nut	7

PL60VOBE PARTS

№	PART ID#	DESCRIPTION	QUANT.
1	P60VF405SS-20	PANEL, BOTTOM FRONT, 60in ENCLOSURE	1
2	P60VF406SS-20	PANEL, TOP FRONT, 60in ENCLOSURE, SS	1
3	P60VF414SS-20	PANEL, LEFT SIDE, 60in ENCL	1
4	P60VF415SS-20	PANEL, RIGHT SIDE, NARROW, 60in	1
5	P60VF416SS-20	COVER, TOP, NARROW, 60in ENCL	1
6	P60VF417SS-20	BASE, NARROW, 60in ENCL	1
7	P60VF419SS-20	BRACE, 60in ENCL	2
8	P60VF420SS-20	BRACE, 60in ENCL	2
9	P42VF423SS-20	BRACKET, 42in ENCL	4
10	P42VF424SS-20	DOOR, SIDE PANNEL, NARROW, 42in	1
11	P60VF426SS-20	PANEL, TOP BACK, 60in ENCLOSURE	1
12	P60VF427SS-20	PANEL, LOW BACK, 60in ENCLOSURE	1
13	P42VF428-10	PLATE FOR MAGNET	1
14	P42VF429SS-20	BRACKET, SUPPORT, EL BOX, 42in ENCLOSURE	2
15	P42VF430SS-20	BRACE, ENCLOSURE	2
16	HW1103	Magnet plate 40mm x 20mm x 6mm	1
17	HW1161	#10 Nutsert	46
18	HW1245	SCREW, PAN, #10-24 X 3/8", PHIL, SS	4
19	HW2102	WASHER, LOCK, #10, EXT TOOTH, SS	9
20	HW2105	SCREW, PAN, #10-24 X 1/2", PHIL, SS	55
21	HW2174	10-24 Stainless Steel Nut	9