



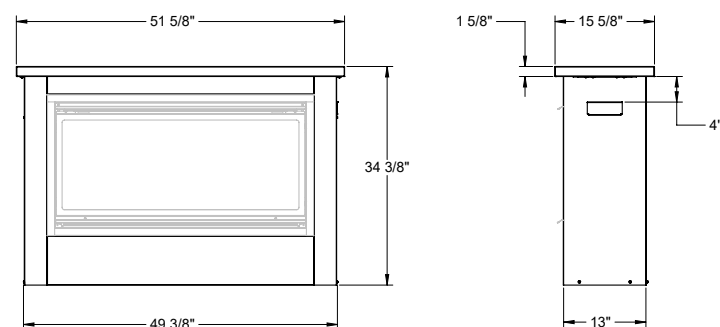
**PL42VOBE ENCLOSURE**  
**PL60VOBE ENCLOSURE**

**WARNING**

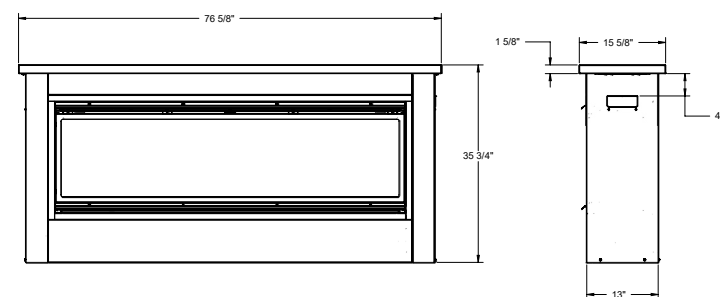
Some materials used in the manufacturing process of this product can expose you to Benzene which is known in the State of California to cause cancer and birth defects or other reproductive harm. For more information go to [www.P65warnings.ca.gov](http://www.P65warnings.ca.gov)

- The installation of this fireplace must be done by a qualified and certified gas appliance installer.
- Check local codes and read all instructions prior to installation.
- Route gas and electrical lines before construction and installation of the enclosure

**FINISHED DIMENSIONS**



PL42VO ENCLOSURE



PL60VO ENCLOSURE

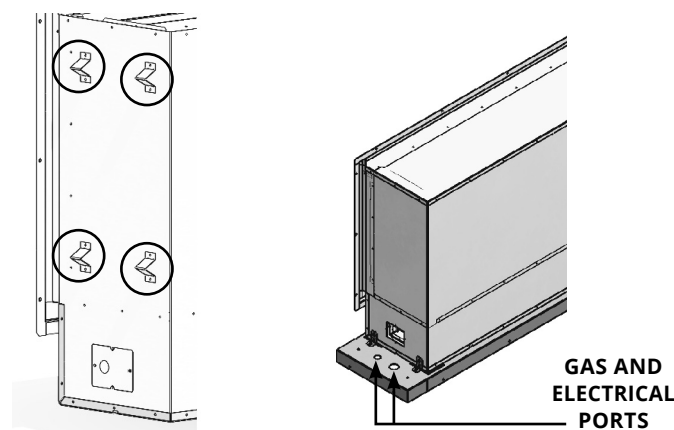
**Assembly**

**WARNING**

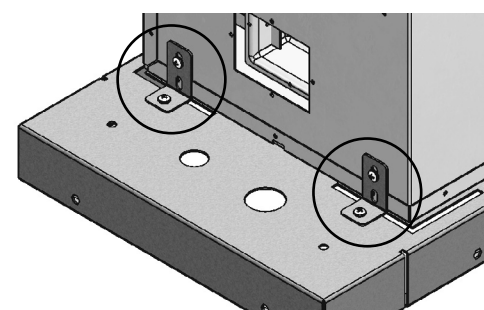
ENSURE THAT ALL PROTECTIVE FILM FROM METAL PARTS IS REMOVED BEFORE ASSEMBLY

- See installation manual for instructions on how to route gas lines and power supply
- See installation manual for clearances to combustibles materials
- Minimum clearance from ground is 3"
- Plan a proper drainage system before installation of the enclosure

**1** Remove the (8) standoffs from the fireplace and discard Place unit on PART №6 Base and align to cutouts to position.

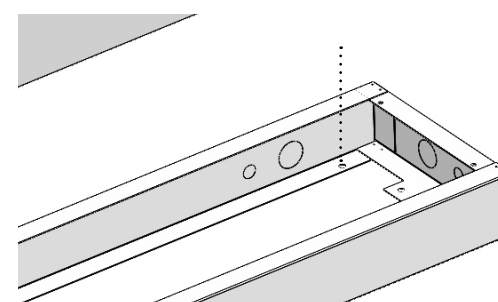


**3** Secure PART №9 Bracket (4) to fireplace and base using (8) ¼-20 x ½" long Pan Head Screws. Secure base to desired location with mounting holes and plum gas line thru and electrical lines thru the larger holes in the base



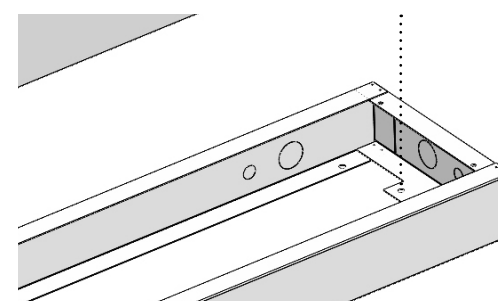
**3b**

Level out the unit with the attached Hex bolts PART №HW2302 and Nuts PART №HW2145 on the bottom of the pedestal.



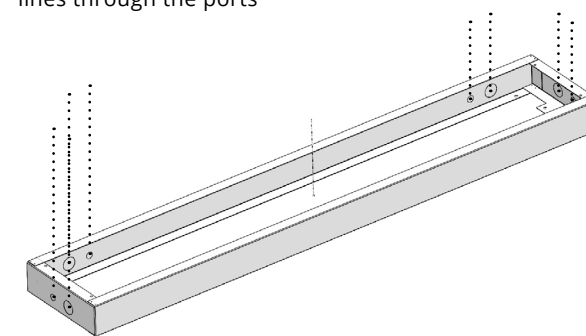
**3c**

Anchor pedestal to structure using the 4 holes shown. (Hardware not included, use shims on bolts to prevent warping the steel)



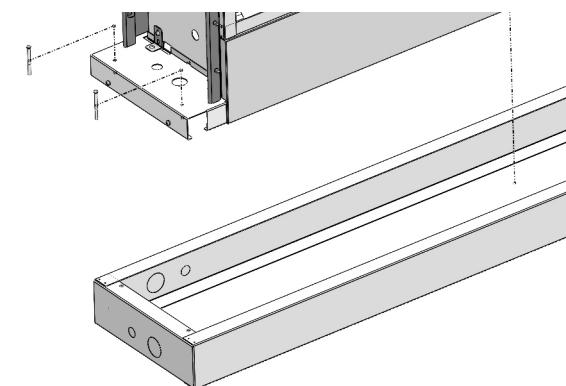
**3d**

Knock out gas and electrical access ports in base if necessary, inset bushing PART № HW6006 and electrical clamp connector PART № EC1220. Run gas and electrical lines through the ports



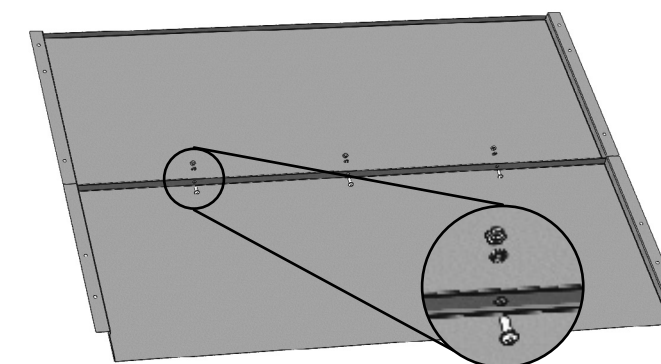
**3e**

Pedestal attaches to the Mahana enclosure base with four Hex bolts PART №HW1203. Test all gas and electrical connections.



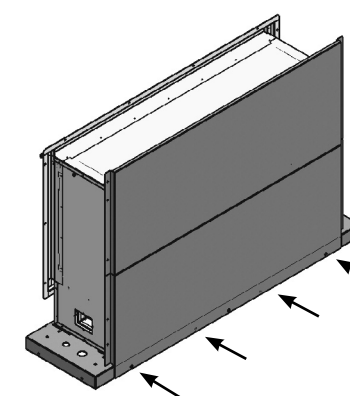
**4**

Fasten PART №11 Panel Top Back and PART №12 Panel Low Back with ¼-20 x ½" long Pan Head Screws, ¼-20 nuts and Star washers as shown (3 screws for PL42VO, 5 screws for PL60VO)



**5**

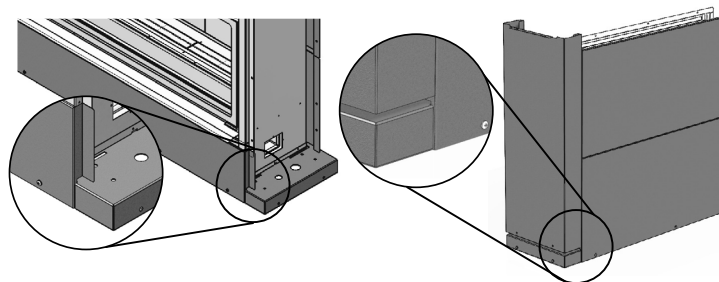
Place rear panel assembly on base and secure 4 with ¼-20 x ½" long Pan Head Screws. Panel should sit in notches



## Assembly Cont.

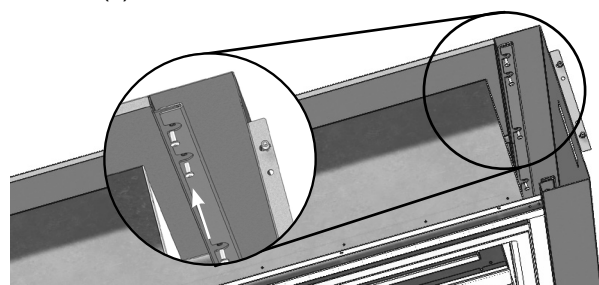
**6**

Slide **PART №1 Front Panel** underneath base. Panel should sit in notches. Slide **PART №4 Right Panel** into notches in base and secure with (2) ¼-20 x ½" long Pan Head Screws. Slide **PART №4 Right Panel** into notches in base and secure with (2) ¼-20 x ½" long Pan Head Screws



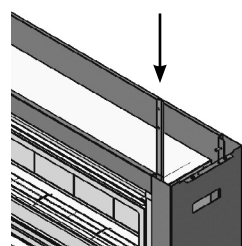
**9**

Slide **PART №7 Brace** over the back and side panel and secure with (4) ¼-20 x ½" long Pan Head Screws as shown. Repeat on other side with **PART №8 Brace** and (4) screws.



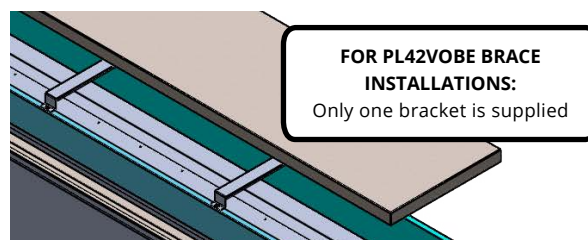
**10**

Slide **PART №7 Brace** over the front and side panel and secure with (4) ¼-20 x ½" long Pan Head Screws as shown. Repeat on other side with **PART №8 Brace** and (4) screws.



**11**

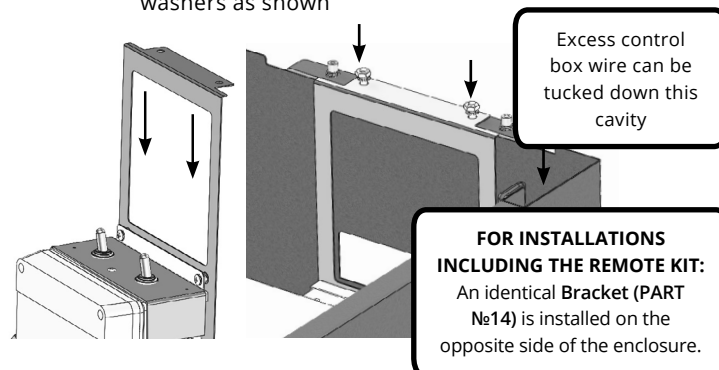
Fasten **PART №15 Braces** to rear panel assembly and Panel Top front with (2) ¼-20 x ½" long Pan Head Screws.



**FOR PL42VOBE BRACE INSTALLATIONS:**  
Only one bracket is supplied

**12**

Fasten Electrical Box to **PART №14 Electrical Box Bracket** with (2) ¼-20 x 3/8" long Pan Head Screws  
Secure **Electrical Box Bracket** to enclosure with (2) ¼-20 x ½" long Pan Head Screws, (2) ¼-20 nuts and (2) Star washers as shown



Excess control box wire can be tucked down this cavity

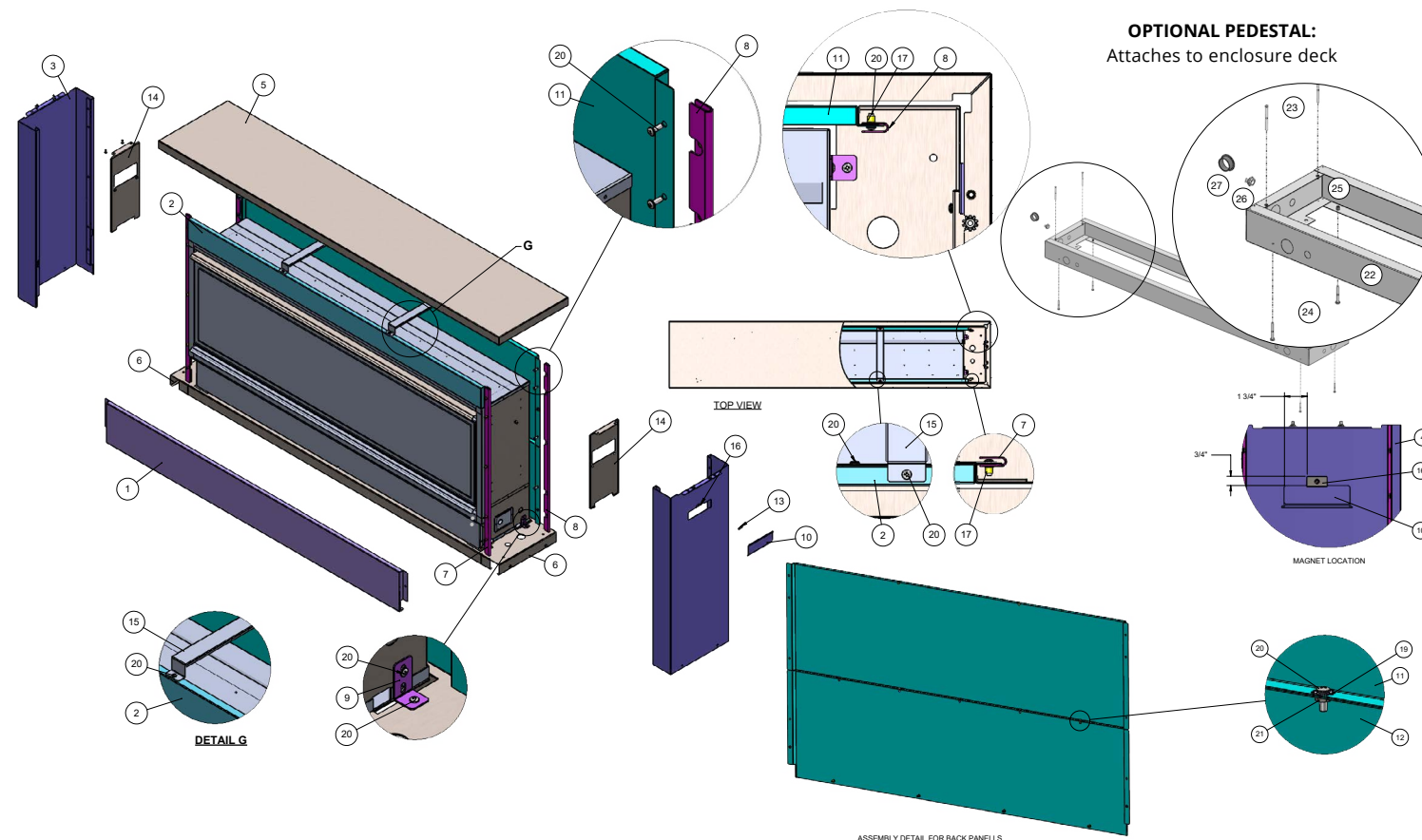
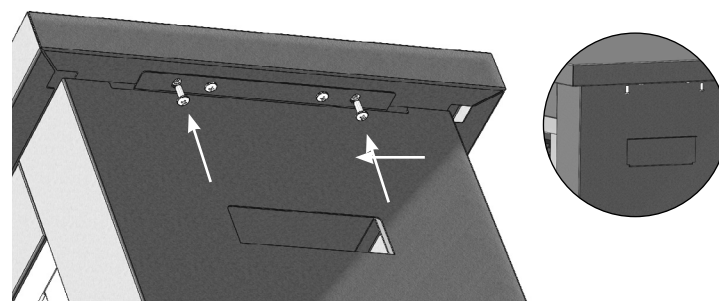
**FOR INSTALLATIONS INCLUDING THE REMOTE KIT:**  
An identical Bracket (**PART №14**) is installed on the opposite side of the enclosure.

**13**

Place **PART №5 Top Cover** on top, ensure clearance holes are over fasteners from control box bracket and secure top with (4) ¼-20 x ½" long Pan Head Screws.

Install **PART №10 Door Side Panel** into unit (install on an angle and rotate down)

Ensure Electrical and gas is connected properly before fastening top. See Manual.



**OPTIONAL PEDESTAL:**  
Attaches to enclosure deck

### PL42VOBE PARTS

№	PART ID#	DESCRIPTION	QUANT.
1	P42VF405SS-20	PANEL, BOTTOM FRONT, 42in ENCLOSURE	1
2	P42VF406SS-20	PANEL, TOP FRONT, 42in ENCLOSURE, SS	1
3	P42VF414SS-20	PANEL, LEFT SIDE, 42in ENCL	1
4	P42VF415SS-20	PANEL, RIGHT SIDE, NARROW, 42in	1
5	P42VF416SS-20	COVER, TOP, NARROW, 42in ENCL	1
6	P42VF417SS-20	BASE, NARROW, 42in ENCL	1
7	P42VF419SS-20	BRACE, 42in ENCL	2
8	P42VF420SS-20	BRACE, 42in ENCL	2
9	P42VF423SS-20	BRACKET, 42in ENCL	4
10	P42VF424SS-20	DOOR, SIDE PANEL, NARROW, 42in	1
11	P42VF426SS-20	PANEL, TOP BACK, 42in ENCLOSURE	1
12	P42VF427SS-20	PANEL, LOW BACK, 42in ENCLOSURE	1
13	P42VF428-10	PLATE FOR MAGNET	1
14	P42VF429SS-20	BRACKET, SUPPORT, EL BOX, 42in ENCLOSURE	2
15	P42VF430SS-20	BRACE, ENCLOSURE	1
16	HW1103	Magnet plate 40mm x 20mm x 6mm	1
17	HW1161	#10 Nutsert	38
18	HW1245	SCREW, PAN, #10-24 X 3/8", PHIL, SS	4
19	HW2102	WASHER, LOCK, #10, EXT TOOTH, SS	7
20	HW2105	SCREW, PAN, #10-24 X 1/2", PHIL, SS	45
21	HW2174	10-24 Stainless Steel Nut	7

### MAHANA PL42VO 4" PEDESTAL PARTS

№	PART ID#	DESCRIPTION	QUANT.
22	P42VF435/36-20	PEDESTAL	1
23	HW1203	10-24 X 3 BOLT	4
24	HW2302	¼ - 20 X 1½ BOLT	4
25	HW2145	¼ - 20 NUT	4
26	EC1220	STRAIN CLAMP	1
27	HW6006	KNOCK OUT BUSHING	1

### PL60VOBE PARTS

№	PART ID#	DESCRIPTION	QUANT.
1	P60VF405SS-20	PANEL, BOTTOM FRONT, 60in ENCLOSURE	1
2	P60VF406SS-20	PANEL, TOP FRONT, 60in ENCLOSURE, SS	1
3	P60VF414SS-20	PANEL, LEFT SIDE, 60in ENCL	1
4	P60VF415SS-20	PANEL, RIGHT SIDE, NARROW, 60in	1
5	P60VF416SS-20	COVER, TOP, NARROW, 60in ENCL	1
6	P60VF417SS-20	BASE, NARROW, 60in ENCL	1
7	P60VF419SS-20	BRACE, 60in ENCL	2
8	P60VF420SS-20	BRACE, 60in ENCL	2
9	P42VF423SS-20	BRACKET, 60in ENCL	4
10	P42VF424SS-20	DOOR, SIDE PANEL, NARROW, 60in	1
11	P60VF426SS-20	PANEL, TOP BACK, 60in ENCLOSURE	1
12	P60VF427SS-20	PANEL, LOW BACK, 60in ENCLOSURE	1
13	P42VF428-10	PLATE FOR MAGNET	1
14	P42VF429SS-20	BRACKET, SUPPORT, EL BOX, 60in ENCLOSURE	2
15	P42VF430SS-20	BRACE, ENCLOSURE	2
16	HW1103	Magnet plate 40mm x 20mm x 6mm	1
17	HW1161	#10 Nutsert	46
18	HW1245	SCREW, PAN, #10-24 X 3/8", PHIL, SS	4
19	HW2102	WASHER, LOCK, #10, EXT TOOTH, SS	9
20	HW2105	SCREW, PAN, #10-24 X 1/2", PHIL, SS	55
21	HW2174	10-24 Stainless Steel Nut	9

### MAHANA PL60VO 4" PEDESTAL PARTS

№	PART ID#	DESCRIPTION	QUANT.
22	P60VF437/38-20	PEDESTAL	1
23	HW1203	10-24 X 3 BOLT	4
24	HW2302	¼ - 20 X 1½ BOLT	4
25	HW2145	¼ - 20 NUT	4
26	EC1220	STRAIN CLAMP	1
27	HW6006	KNOCK OUT BUSHING	1