

**MONTIGO®**

# OUTDOOR

OUTDOOR / PROUDLY HANDCRAFTED IN NORTH AMERICA

H34VO

H38VO

HL38VO

H42VO

H38SVO

HL38SVO

PL42VO

PL60VO



OUTDOOR / HL38SVONE / EBONY FIRESTONES

# OUTDOOR

MONTIGO / MAHANA / PL42VONE / STAINLESS STEEL ENCLOSURE



# REDEFINE YOUR OUTDOOR SPACE

THE WARMTH AND COMFORT OF YOUR LIVING ROOM  
NOW ON YOUR PATIO

Ventless design creates endless possibilities for placement in your outdoor space. All Montigo outdoor fireplaces are fabricated with high quality 304 stainless steel construction for extended outdoor life.

From traditional brick liners, all the way to multi-color LED lighting for the Mahana, all fireplaces in the Montigo Outdoor series have numerous options for customization.

# DOOR



OUTDOOR HL38VONE SAGE FIREBEADS



OUTDOOR / PROUDLY HANDCRAFTED IN NORTH AMERICA

**DIVINE**  
OUTDOOR  SERIES

# REDEFINE YOUR OUTDOOR SPACE

**H34 H38 H42  
TRADITIONAL**

**HL38  
CONTEMPORARY**

**H34VO  
H38VO  
HL38VO  
H42VO**

SINGLE SIDED  
VENTLESS  
OUTDOOR

**Standard**

- Traditional burner and logset
- Safety screen

**Options**

- Various traditional liners
- Mirror back panel
- Drain pan
- Wrought iron grate

**Standard**

- Contemporary burner with Ice fireglass
- Safety screen

**Options**

- Glass media
- Drain pan



**QUICK DIMENSIONS**

	H34VO		H38VO		H42VO	
	UNIT	FRAM.	UNIT	FRAM.	UNIT	FRAM.
F.WIDTH	33 <sup>3</sup> / <sub>8</sub>	33 <sup>3</sup> / <sub>8</sub>	37 <sup>3</sup> / <sub>4</sub>	37 <sup>3</sup> / <sub>4</sub>	42	42
B.WIDTH	24	33 <sup>3</sup> / <sub>8</sub>	27	37 <sup>3</sup> / <sub>4</sub>	29 <sup>1</sup> / <sub>2</sub>	42
HEIGHT	33 <sup>1</sup> / <sub>4</sub>	38 <sup>3</sup> / <sub>4</sub>	37	42 <sup>1</sup> / <sub>2</sub>	41	46 <sup>1</sup> / <sub>2</sub>
DEPTH	19 <sup>1</sup> / <sub>4</sub>	20 <sup>1</sup> / <sub>4</sub>	20 <sup>3</sup> / <sub>8</sub>	21 <sup>3</sup> / <sub>8</sub>	21 <sup>3</sup> / <sub>8</sub>	22 <sup>3</sup> / <sub>8</sub>
VIEWING	18 <sup>1</sup> / <sub>4</sub> x 27 <sup>1</sup> / <sub>4</sub>		21 <sup>5</sup> / <sub>8</sub> x 32 <sup>1</sup> / <sub>8</sub>		25 <sup>1</sup> / <sub>2</sub> x 36 <sup>1</sup> / <sub>2</sub>	

**BTU LISTING**

**H34VO\*E** / 26,000  
**H34VO\*** / 26,000

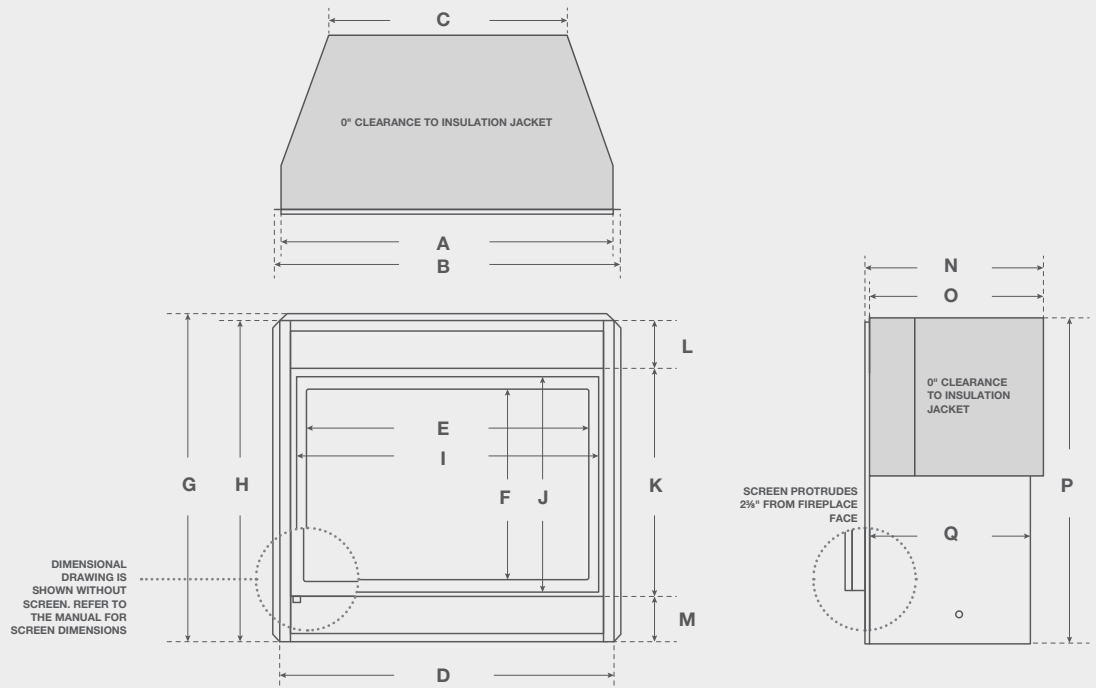
**H38VO\*E** / 34,000  
**H38VO\*** / 34,000

**HL38VO\*E** / 34,000  
**HL38VO\*** / 34,000

**H42VO\*E** / 40,000  
**H42VO\*** / 40,000



## DIVINE OUTDOOR DIMENSIONS



	A	B	C	D	E	F	G	H	I	J	K	L	M	N	O	P	Q
H34VO	33 $\frac{3}{8}$	35 $\frac{3}{8}$	24	33 $\frac{7}{8}$	27 $\frac{1}{4}$	18 $\frac{1}{4}$	34 $\frac{1}{4}$	33 $\frac{3}{4}$	31 $\frac{1}{8}$	21 $\frac{1}{8}$	23	5 $\frac{1}{2}$	5 $\frac{1}{4}$	19 $\frac{1}{4}$	18 $\frac{3}{8}$	33 $\frac{1}{4}$	17
H38VO	37 $\frac{3}{4}$	39 $\frac{1}{4}$	27	37 $\frac{3}{4}$	32 $\frac{1}{2}$	21 $\frac{1}{2}$	37 $\frac{1}{4}$	36 $\frac{1}{2}$	34 $\frac{3}{4}$	24 $\frac{1}{2}$	25 $\frac{3}{4}$	5 $\frac{1}{2}$	5 $\frac{1}{4}$	20 $\frac{3}{8}$	19 $\frac{3}{4}$	37	18 $\frac{1}{8}$
H42VO	42	43 $\frac{1}{2}$	29 $\frac{1}{2}$	42	36 $\frac{1}{2}$	25 $\frac{1}{2}$	41 $\frac{1}{4}$	40 $\frac{1}{2}$	39	28 $\frac{1}{2}$	28 $\frac{3}{8}$	6 $\frac{3}{8}$	5 $\frac{1}{4}$	21 $\frac{3}{8}$	20 $\frac{3}{4}$	41	19 $\frac{5}{8}$

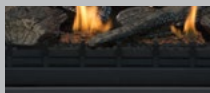
MONTIGO / DIVINE / H138VON / SAGE FIREBEADS / SHOWN WITHOUT SCREEN



MONTIGO / DIVINE / H34VON / SHOWN WITHOUT SCREEN



OPTIONS & FEATURES



**IRON GRATE**  
HWIG\*\*



**DRAIN PAN**  
ODSSP\*\*

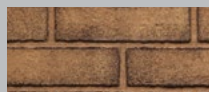
LINERS



**HERRING BONE**  
HBK\*\*



**COLONIAL**  
HBK\*\*



**HERITAGE**  
HBK\*\*



**MIRROR**  
RPH\*\*VOR

Features

Ventless design

Stainless steel construction

OUTDOOR / PROUDLY HANDCRAFTED IN NORTH AMERICA

**DIVINE**  
OUTDOOR  SERIES

# CREATE YOUR OUTDOOR OASIS

**H38SVO**  
**TRADITIONAL**

**HL38SVO**  
**CONTEMPORARY**

**Standard**

Traditional burner and logset

Manual Hi-Lo flame control

Wrought iron grate

Safety screen

**Options**

Freestanding cool-touch enclosure (HSI units only)

**Standard**

Contemporary burner with Ice fireglass

Manual Hi-Lo flame control

Safety screen

**Options**

Glass media

Freestanding cool-touch enclosure (HSI units only)

## H38SVO, HL38SVO

SEE THROUGH  
VENTLESS  
OUTDOOR

**QUICK DIMENSIONS**

		H38SVO	
	UNIT	FRAM.	
F.WIDTH	43 <sup>9</sup> / <sub>16</sub>	42	
B.WIDTH	28 <sup>7</sup> / <sub>8</sub>	42	
HEIGHT	41 <sup>5</sup> / <sub>16</sub>	46 <sup>1</sup> / <sub>2</sub>	
DEPTH	20 <sup>3</sup> / <sub>8</sub>	21 <sup>5</sup> / <sub>8</sub>	
VIEWING	39 <sup>1</sup> / <sub>2</sub> x 28 <sup>3</sup> / <sub>4</sub>		

**BTU LISTING**

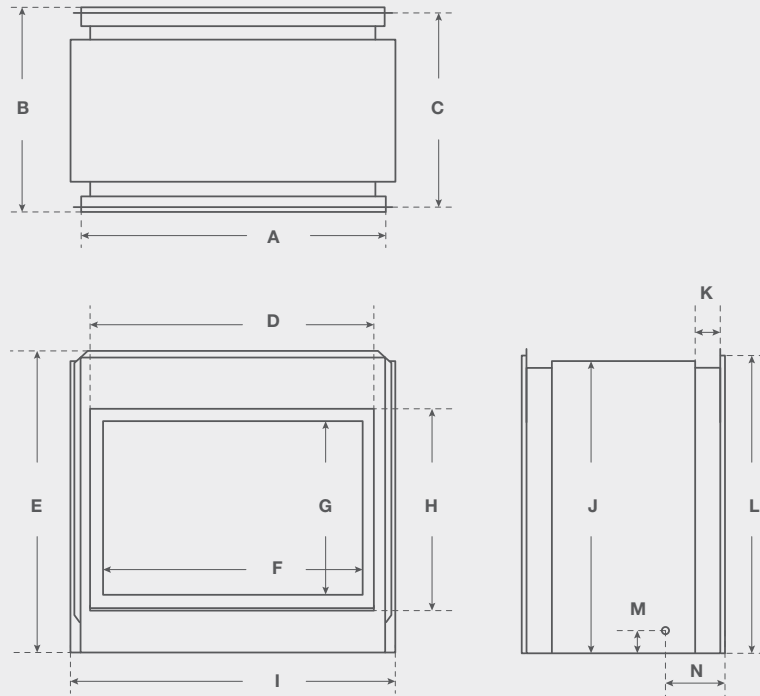
**H38SVO\*** / 45,000

**HL38SVO\*** / 45,000





**DIVINE OUTDOOR SEE THROUGH DIMENSIONS**



	A	B	C	D	E	F	G	H	I	J	K	L	M	N
H38SVO	37 <sup>3</sup> / <sub>4</sub>	25 <sup>3</sup> / <sub>16</sub>	24	25	36 <sup>9</sup> / <sub>16</sub>	32 <sup>1</sup> / <sub>8</sub>	21 <sup>1</sup> / <sub>16</sub>	25	40 <sup>1</sup> / <sub>8</sub>	36 <sup>3</sup> / <sub>16</sub>	3 <sup>1</sup> / <sub>8</sub>	36 <sup>1</sup> / <sub>2</sub>	3	5 <sup>1</sup> / <sub>4</sub>



MONTIGO / DIVINE / H38SYON / TRADITIONAL LOGSET / SHOWN WITHOUT SCREEN



OPTIONS & FEATURES



**COOLTOUCH ENCLOSURE<sup>1</sup>**  
RTSCH38VO



Features

Ventless design

304 Stainless steel

Fans provide zone heating up to 10'

OUTDOOR / PROUDLY HANDCRAFTED IN NORTH AMERICA



MAHANA  
OUTDOOR  SERIES

A WARM BREEZE

PL42VO  
PL60VO

VENTLESS  
OUTDOOR

MAHANA  
CONTEMPORARY

Standard

- Concealed burner with Quartz firebeads
- Built in fan system
- Safety screen

Options

- LED backlighting
- Stainless steel and powdercoated enclosures
- Enclosure pedestal
- Enclosure cover
- Speckled stones, driftwood, glass media
- Remote control on/off



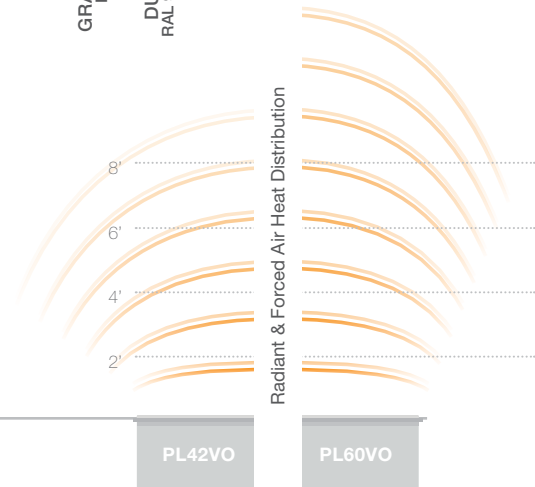
CARBON  
RAL 9005

GRAPHITE  
RAL 7015

DUNE  
RAL 9002

QUICK DIMENSIONS

	PL42VO		PL60VO	
	UNIT	FRAM.	UNIT	FRAM.
F.WIDTH	43 $\frac{3}{8}$	42	67 $\frac{3}{8}$	66
B.WIDTH	41 $\frac{5}{8}$	42	65 $\frac{5}{8}$	66
HEIGHT	28 $\frac{7}{8}$	32 $\frac{1}{2}$	28 $\frac{7}{8}$	32 $\frac{1}{2}$
DEPTH	13	11 $\frac{5}{8}$	13	11 $\frac{5}{8}$
VIEWING	37 $\frac{1}{4}$ x 14 $\frac{1}{8}$		61 $\frac{1}{4}$ x 14 $\frac{1}{8}$	



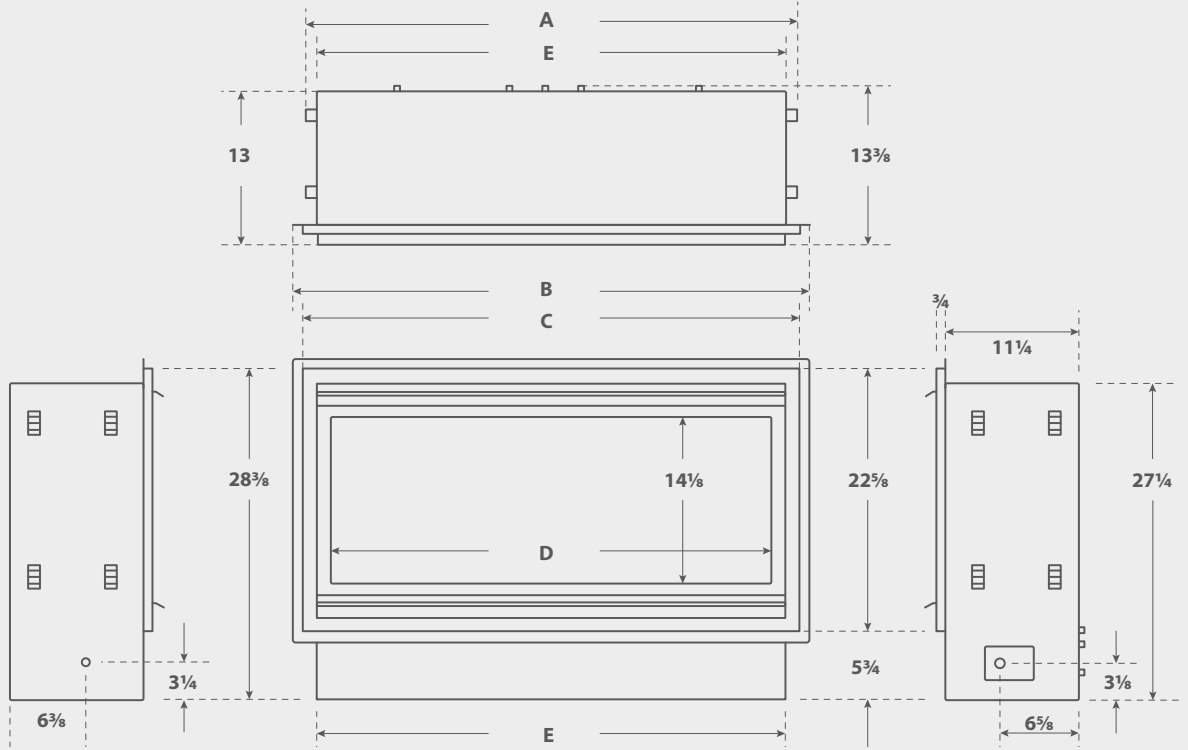
BTU LISTING

PL42VO\* / 28,000  
PL60VO\* / 47,000





**MAHANA DIMENSIONS**



	A	B	C	D	E
PL42VO	41 1/8	43 3/8	42	37 1/4	39 3/4
PL60VO	65 5/8	67 7/8	66	61 1/4	63 3/4

For enclosure dimensions please reference framing dimensions page



MONTIGO / MAHANA / PL60VO / QUARTZ FIREBEADS /



OPTIONS & FEATURES



ENCLOSURES  
PLVOBE\*\*



ENCLOSURE  
PEDESTAL  
PL\*\*VOBE-P



ENCLOSURE COVER  
PL\*\*CVR



LED BACKLIGHTING  
PLVOBE\*\*



REMOTE ON/OFF  
RXM40VACVO



SPECKLED STONES  
RR\*\*\*SS

COPPER  
HW1143

AMBER  
HW1261

ICE  
HW1157

GLACIER  
HW1219B

PLATINUM  
HW1144

ALABASTER  
HW1260

OBSIDIAN  
HW1113

ONYX  
HW1259

# MEDIA

FROST  
HW1112

QUARTZ  
HW1106

EBONY  
HW1091

DRIFTWOOD  
LGS\*\*\*

# Unit Specifications

## ICON LEGEND

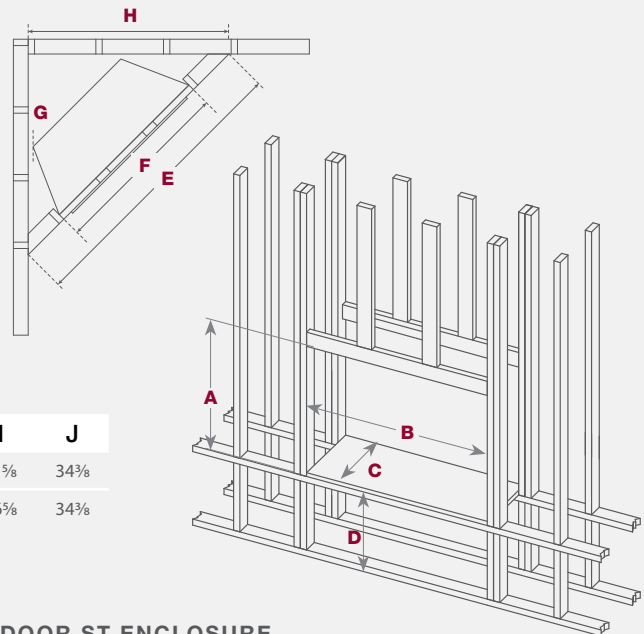
AVAILABLE	+	NOT AVAILABLE	-
DEDICATED	◊	STANDARD	◦

	BTU NATURAL GAS	BTU LIQUID PROPANE	CLEARANCE TOP	CLEARANCE SIDES	CLEARANCE BACK	CLEARANCE FLOOR	STANDARD MEDIA	FRONT GLASS TYPE	POWERVENT	REMOTE CONTROL	FANS	UPLIGHTING	DOWNLIGHTING
H34VO**	26,000	26,000	9	1†	1†	0	TRADITIONAL	HIGH TEMPERATURE	-	-	-	-	-
H38VO**	34,000	34,000	9	1†	1†	0	TRADITIONAL	HIGH TEMPERATURE	-	-	-	-	-
HL38VO**	34,000	34,000	9	1†	1†	0	HW1157	HIGH TEMPERATURE	-	-	-	-	-
H38SVO**	34,000	34,000	36	12	N/A	0	TRADITIONAL	HIGH TEMPERATURE	-	-	-	-	-
HL38SVO**	34,000	34,000	36	12	N/A	0	HW1157	HIGH TEMPERATURE	-	-	-	-	-
H42VO**	40,000	40,000	9	1†	1†	0	TRADITIONAL	HIGH TEMPERATURE	-	-	-	-	-
PL42VO*	28,000	28,000	0	1	0	0	HW1106	HIGH TEMPERATURE	-	-	◊	+	-
PL60VO*	47,000	47,000	0	1	0	0	HW1106	HIGH TEMPERATURE	-	-	◊	+	-

†Clearance to insulation jacket is 0"

## DIVINE OUTDOOR FRAMING

	A	B	C	D	E	F	G	H
H34VO	38¾	35⅝	20¼†	*	61⅞	35⅝	0	43⅞
H38VO	42½	39¼	21⅝†	*	65⅞	39¼	0	49⅞
H42VO	46½	43½	22⅝†	*	72¼	43½	0	51⅞



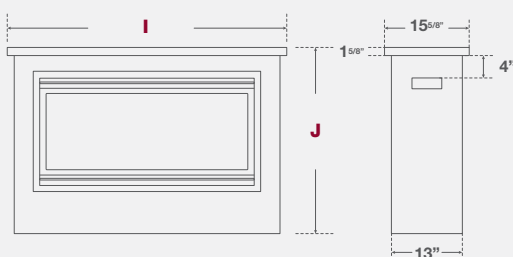
## DIVINE OUTDOOR ST FRAMING

	A	B	C	D
H38SVO	38	41	23⅞	*

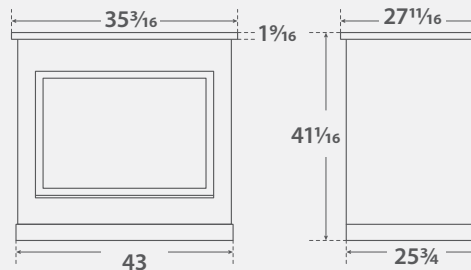
## MAHANA FRAMING AND ENCLOSURE

	A	B	C	D	E	F	G	H	I	J
PL42VO	27¼	42	11⅝	*	62⅞	42	0	48⅞	51⅞	34⅞
PL60VO	27¼	66	11⅝	*	87	66	0	65½	76⅞	34⅞

## MAHANA ENCLOSURE



## DIVINE OUTDOOR ST ENCLOSURE



See instruction manual for detailed instructions

Be sure to plan a drain system for both in the wall and standalone installations.

\*Check local codes and manual for minimum distance from grade to unit.

†Dimension is to back wall or back studs

## 1976: The Days Before Gas Fireplaces

In 1976, Montigo president and founder, Dan Binzer, started installing zero-clearance wood burning fireplaces for local builders in Vancouver, BC. Over the years, demand grew for a gas alternative, and Dan engineered and manufactured the first ever sandpan logset. The logset was installed in a zero-clearance wood burning fireplaces shell, resulting in one of the first zero-clearance gas fireplaces on the market.

## 1985: Gas Fireplace Manufacturing Begins

Demand for gas grew rapidly, especially among multi-unit developments so Dan Binzer started a company called Canadian Heating that would offer full service design, engineering and manufacturing for gas fireplaces. Under the Montigo brand, Canadian Heating began manufacturing and selling a wide selection of zero-clearance gas fireplaces throughout Canada and in 1985 development began for the latest and greatest in gas fireplace technology – direct venting.

## 1994: Manufacturing Excellence is Achieved

Development and advancement of the gas fireplace continued over the years with continual developments to improve the efficiency of the fireplaces and perfected manufacturing processes to deliver an optimum fireplace each and every time – even for completely custom units.

## Present: Leading the Way with Modern Fireplace Design

As one of the first to bring a linear designed fireplace to market, Montigo now offers the largest selection of linear fireplaces demanded by designers, architects and homeowners wanting to create a modern and contemporary space and homeowners wanting to create a modern and contemporary space.

### **WARNING**

Some materials used in the manufacturing process of this product can expose you to Benzene which is known in the State of California to cause cancer and birth defects or other reproductive harm. For more information go to [www.P65warnings.ca.gov](http://www.P65warnings.ca.gov)

for more inspiration go to  
[www.montigo.com](http://www.montigo.com)

**MONTIGO**<sup>®</sup>  
the art of **fireplaces**



## Our Guarantee

Montigo<sup>®</sup> stands behind the craftsmanship and durability of our products by providing a 15 year warranty on the burner and firebox in all our residential fireplaces.



Printed in Canada

XB2210