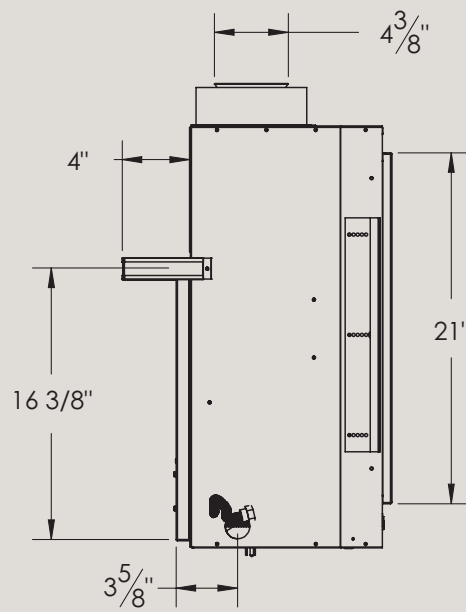
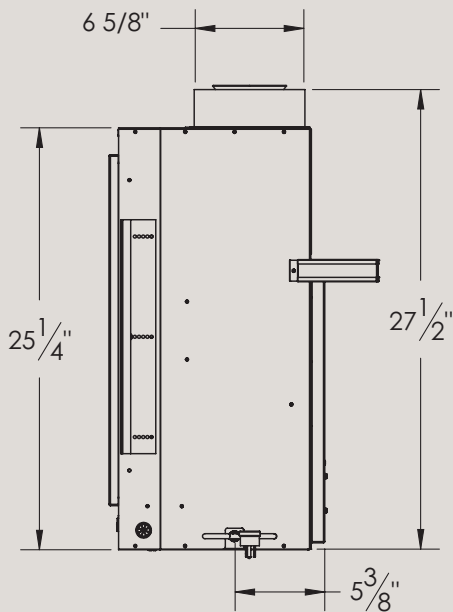
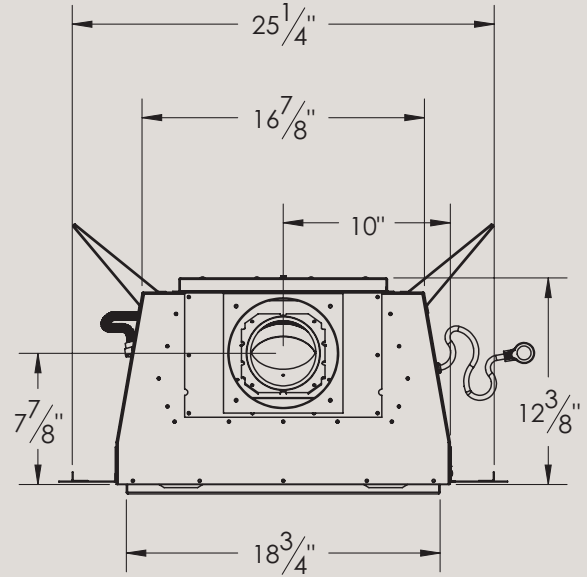
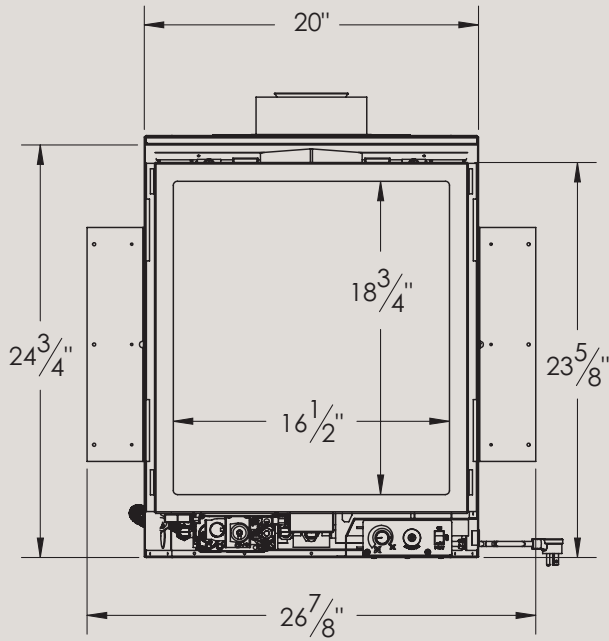
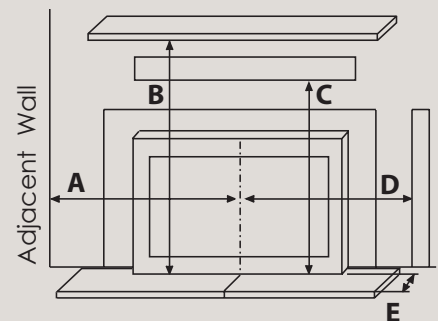


Q1 Dimensions



Minimum Clearance to Combustibles

	Q1 Fireplace & Insert	Q2 Fireplace
A - center of unit to side wall	16.5"	21.875"
B - bottom of unit to bottom of 12" mantle	41"	49"
C - bottom of unit to max. 3/4" combustible facing	35 1/4"	40"
D - center of unit to side facing	10"	17 1/2"
E - front of door to edge of floor protection	12"	N/A



Measurements are approximate please consult owners manual for details.