

Outdoor Series



PL42VO NG Flame
(Shown with optional Speckled Stone, Driftwood and LED Accent Lighting)

 **MONTIGO**[®]
the art of fireplaces

Redefine Your Outdoor Space

Enjoy your outdoor area year-round with the comfort of a unique modern fireplace. Montigo fireplaces offer the ultimate in fire and relaxation.

Versatility

Ventless design creates endless possibilities for placement in your outdoor space. All Montigo outdoor fireplaces are fabricated with High Quality 304 stainless steel construction for extended outdoor life.

Customization

From traditional brick liners, all the way to multi-color LED lighting for the CabanaFire, all fireplaces in the Montigo Outdoor series have numerous options for customization.

Our Guarantee

Rest assured our uncompromising quality and long-term reliability is backed by our limited 10-year warranty.



Enjoy the expanded sense of space and the comfort of a unique modern fireplace.



PL42VO NG Flame
(Shown with optional Star Ice and LED accent lighting)



CabanaFire with NG flame
(Shown with standard Opal Firestones)

CabanaFire

Montigo's CabanaFire PL42VO brings the warmth and comfort of your living room to your patio. Full combustible framing and finishing capable design creates an endless opportunity for outdoor installation. Featuring 2 dual Built-in blowers to provide a curtain of warm air on a cool evening even in windy conditions.



H38 VO with NG flame
(Shown with optional Colonial Brick)

H-Series VO

The 3 different sizes available for the H-Series creates an endless opportunity for outdoor installations. Wrought iron grates and brick liners are available to create a traditional look out of a contemporary fireplace.



H-Series HL38 SVO with LP Gas flame
(Shown with optional SS enclosure)

H-Series H38 SVO

Enjoy multiple angles of warmth and beauty with Montigo's H-Series See-through fireplace. Featuring stainless steel construction, with an optional cabinet for a stand alone installation shown.




Montigo
fireplaces offer
the ultimate
in fire and
relaxation.

H38SVO-ST LP Flame
(Shown with optional SS enclosure)

MONTIGO
CabanaFire

HOT ZONE

Radiant &
Forced Air Heat
Distribution

WARM ZONE

COOL ZONE

3'

6'

8'

10'

More than just a decorative fireplace

This compact 11 3/4" deep fireplace features two dual blowers which push 28,000 BTU/HR of heat out further than a comparable unit with 40,000-55,000 BTU/HR. This, paired with its superior wind resistance and ability to be framed in wood makes it an instant fit with your outdoor space.



—  —

The warmth & comfort of your living room, now on your patio

—

PL42VO NG Flame
(Shown with optional Speckled Stone, Driftwood and LED Accent Lighting)

Burner Media Accessories - Firestones



White, Silver, Opaque DGB01 (Order Code: HW1082)



Opal DGB04 (Order Code: HW1106)



Sapphire DGB08 (Order Code: HW1108)



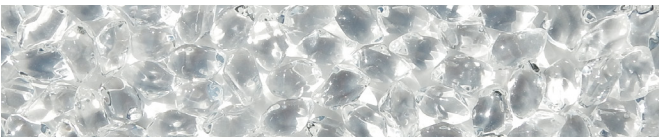
Frost DGB10 (Order Code: HW1112)



Ebony DGB03 (Order Code: HW1091)



Ivory DGB09 (Order Code: HW1111)

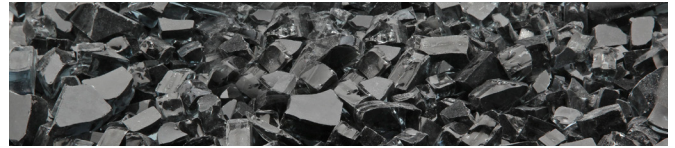


Diamond Glazier (Order Code: HW1219B)



Melon DGB07 (Order Code: HW1109)

Burner Media Accessories - Fireglass



Black Ice DGM21 (Order Code: HW1113)



Platinum Ice DGM24 (Order Code: HW1144)



Copper Ice DGM23 (Order Code: HW1143)



Star Ice DGM25 (Order Code: HW1157)

Remote Control
(Available for PL42VO only)

Multi-Color LED Lights
(Available for PL42VO only)



Fireplace On/Off Remote
(Order Code: RXM5010OD)



LED Remote
(Order Code: MCLEDVO)

Burner Media Accessories - Stones & Logs

(Available for PL42VO only)



Speckled Stones (Order Codes: RR150SS)



Driftwood Log Set† (Order Code: LGS59)

†Shown with Speckled Stones

H-Series Ventless Outdoor Standard Features:

- Ventless design allows for maximum versatility for outdoor installations
- Clean-face design allows for brick or tile installation over the fireplace frame
- High quality 304 stainless steel construction
- Traditional burner comes standard with fiber logset
- Linear contemporary burner comes standard with white, silver, opaque fire stones[‡]
- Snap-lock door system
- Hi/Lo control for adjusting flame level (standing pilot only)
- Millivolt control with Piezo spark ignition allows for continuous operation, even during a power failure
- Electronic ignition with outdoor approved control system (“E” models only)

H-Series See-Through Standard Features:

- Ventless stainless steel design allows for maximum versatility for this outdoor installation
- Clean-face design allows for brick or tile installation over the fireplace frame
- High quality 304 stainless steel construction
- Traditional burner comes standard with fiber logset
- Linear contemporary burner comes standard with White, Silver, opaque fire stones[‡]
- Snap-Lock door system
- Hi/Lo control for adjusting flame level (standing pilot only)
- Millivolt control with Piezo spark ignition allows for continuous operation, even during a power failure
- Electronic ignition with outdoor approved control system (“E” models only)

CabanaFire Standard Features:

- Rated for wood frame construction and combustible finishing
- Concealed ribbon burner with multiple media options (Standard with Opal Firestones)
- 2 dual blowers for efficient heat circulation
- High quality 304 stainless steel construction
- Full glass door with screen barrier
- Electronic ignition with outdoor approved control system

H-Series VO Options:

- A choice of 2 burner styles: traditional or linear contemporary
- Various linear contemporary burner accessories[‡]
- Wrought Iron grate for traditional burner
- A choice of 2 brick liners
- Reflective glass panels

Fireplace BTU/H Input		
Model#	Natural Gas	Liquid Propane
H34VO (N,L) (E)	26,000	26,000
H38VO (N,L) (E)	34,000	34,000
HL38VO (N,L) (E)	34,000	34,000
H42VO (N,L) (E)	40,000	40,000

H-Series H38 SVO Options:

- A choice of 2 burner styles: traditional or linear contemporary
- Various linear contemporary burner accessories[‡]
- Factory installed stainless steel cabinet for stand-alone designs (must be factory installed) HS38ODC
- Optional screen barrier RTSCH38VO

Fireplace BTU/H Input		
Model#	Natural Gas	Liquid Propane
H38SVO-ST (N,L) (E)	45,000	45,000
HL38SVO-ST (N,L) (E)	45,000	45,000

PL42 VO Options:

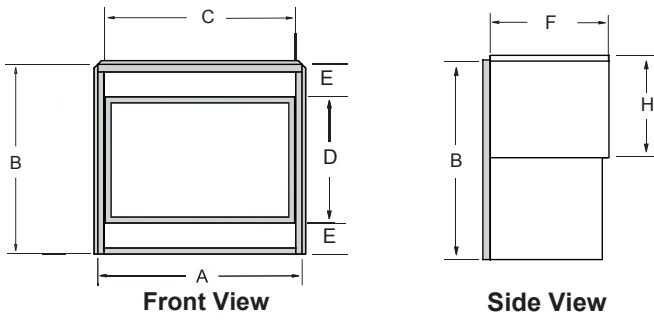
- Various linear contemporary burner accessories[‡]
- Multi-color LED accent lighting with Remote
- On/Off remote control

Fireplace BTU/H Input		
Model#	Natural Gas	Liquid Propane
PL42-VO	28,000	28,000

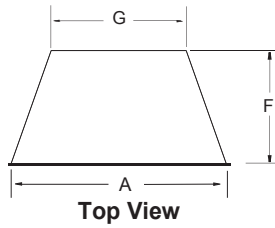
[‡]See accessories page



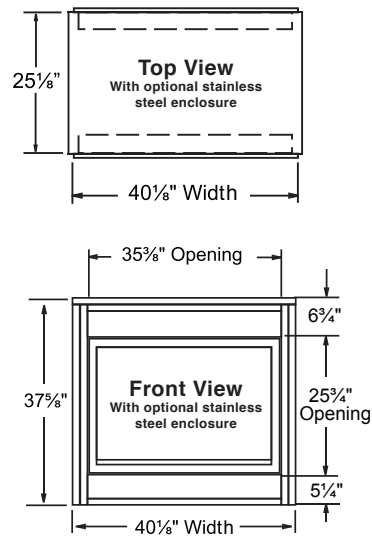
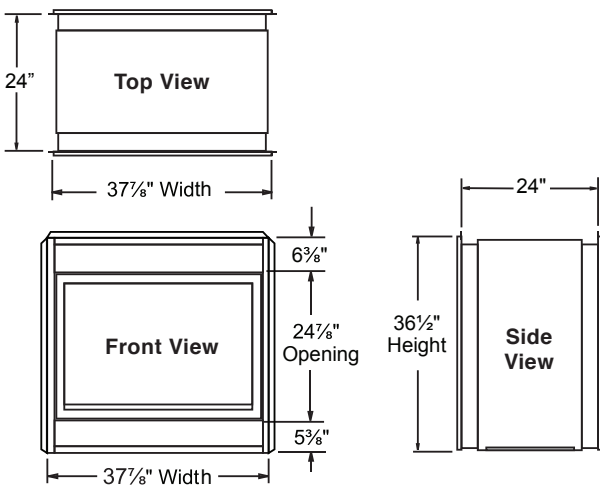
H-Series H38 SVO Dimentions



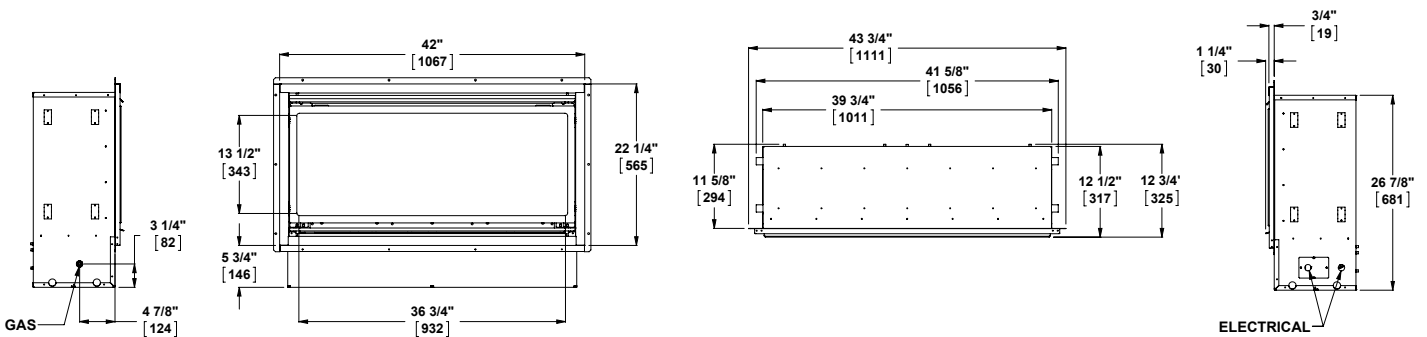
Unit Dimensions								
	A	B	C	D	E	F	G	H
H34VO	33 ³ / ₈ "	34 ⁷ / ₈ "	31 ¹ / ₈ "	22 ³ / ₄ "	5 ¹ / ₄ "	19 ³ / ₄ "	24"	18"
H38VO	37 ⁵ / ₈ "	37 ⁵ / ₈ "	35 ¹ / ₄ "	25"	5 ¹ / ₄ "	20 ¹ / ₁₆ "	25"	18"
H42VO	42"	41 ¹ / ₄ "	39 ¹ / ₂ "	28 ³ / ₄ "	5 ¹ / ₄ "	21 ¹ / ₂ "	28"	18"



H-Series VO Dimentions



PL42 VO Dimentions



Outdoor



H38VO With log set
(Shown with optional Heritage Brick)

Consult the owner's manual for complete installation instructions, product dimensions and proper clearances to combustible surfaces prior to installing fireplace.
All specifications, framing dimensions, product designs, materials and colors are subject to change without notice. The actual flame pattern and color may vary slightly from the illustrations. Diagrams and illustrations are not to scale.
Options & accessories may have associated surcharge.

Available at:

For more inspiration go to:
www.montigo.com