



# C44

DIRECT VENT FIREPLACE - NOVA

# OWNER'S MANUAL

WARRANTY REGISTRATION  
[enviro.com/warranty](http://enviro.com/warranty)



**WARNING:** If the information in this manual is not followed exactly, a fire or explosion may result causing property damage, personal injury or loss of life. Installation and service must be performed by a qualified installer, service agency or the gas supplier.

# SAFETY PRECAUTIONS

---



## **WARNING:**

### **FIRE OR EXPLOSION HAZARD**

**Failure to follow safety warnings exactly could result in serious injury, death, or property damage.**

- Do not store or use gasoline or other flammable vapors and liquids in the vicinity of this or any other appliance.
  
- **WHAT TO DO IF YOU SMELL GAS**
  - Do not try to light any appliance.
  - Do not touch any electrical switch; do not use any phone in your building.
  - Leave the building immediately.
  - Immediately call your gas supplier from a neighbor's phone. Follow the gas supplier's instructions.
  - If you cannot reach your gas supplier, call the fire department.
  
- Installation and service must be performed by a qualified installer, service agency or the gas supplier.

### **INSTALLER:**

Leave this manual with the appliance.

### **CONSUMER:**

Retain this manual for future reference.

This appliance may be installed in an after-market permanently located, manufactured (mobile) home, where not prohibited by local codes.

This appliance is only for use with the type of gas indicated on the rating plate. This appliance is not convertible for use with other gases, unless a certified kit is used.

Only doors certified with the appliance shall be used

Massachusetts installations (Warning): This product must be installed by a licensed plumber or gas fitter when installed within the Commonwealth of Massachusetts. Other Massachusetts code requirements: Flexible connector must not be longer than 36in., a shut off valve must be installed; only direct vent sealed combustion products are approved for bedrooms/bathrooms. A carbon monoxide detector is required in all rooms containing gas fired direct vent appliances. The fireplace damper must be removed or welded in the open position prior to installation of a fireplace insert.

# SAFETY PRECAUTIONS

## FOR SAFE INSTALLATION AND OPERATION OF YOUR “ENVIRO” HEATER, PLEASE CAREFULLY READ THE FOLLOWING INFORMATION:

- All ENVIRO gas-fired appliances must be installed in accordance with their instructions. Carefully read all the instructions in this manual first. Consult the building authority having jurisdiction to determine the need for a permit prior to commencing the installation.
- **NOTE:** Failure to follow these instructions could cause a malfunction of the fireplace, which could result in death, serious bodily injury, and/or property damage.
- Failure to follow these instructions may also void your fire insurance and/or warranty.

### GENERAL

• Installation and repair should be done by a qualified service person. The appliance should be inspected before the first use and, at least, annually by a qualified service person. More frequent cleaning may be required due to excessive lint from carpeting, bedding material, etc. It is imperative the control compartments, burners and circulating air passageways of the appliance be kept clean.

• Due to high temperatures, the appliance should be located out of high traffic areas and away from furniture and draperies.

**Children and adults should be alerted to the hazards of high surface temperatures and should stay away to avoid burn or clothing ignition.**

• Young children should be carefully supervised when in the same room as the appliance. Toddlers, young children and others may be susceptible to accidental contact burns. A physical barrier is required if there is a risk for individuals in the house. To restrict access to a fireplace or stove install an adjustable safety gate to keep toddlers, young children and other at risk individuals out of the room and away from hot surfaces. Any safety screen, guard, or barrier removed for servicing an appliance must be replaced prior to operating the appliance.

• Clothing or other flammable materials should not be placed on or near the appliance.

• A barrier designed to reduce the risk of burns from the hot viewing glass is provided with this appliance and shall be installed for the protection of children and other at-risk individuals. If the barrier becomes damaged, the barrier shall be replaced with the manufacturer’s barrier for this appliance.

### FOR YOUR SAFETY

• Installation and service must be performed by a qualified installer, service agency or gas supplier.

• This installation must conform to local codes or, in the absence of local codes, with the National Fuel Gas Code, ANSI Z223.1/NFPA 54, or the Natural Gas and Propane Installation Code, CSA B149.1.

• To prevent injury, do not allow anyone who is unfamiliar with the stove to operate it.

**• To prevent injury, if the pilot or pilot and burners have gone out on their own, open the glass door and wait 5 minutes to air out before attempting to relight the stove.**

• Always keep the area around these appliances clear of combustible material, gasoline and other flammable liquids and vapours.

• These appliances should not be used as a drying rack for clothing or for hanging Christmas stockings/decorations.

• Due to the paint curing on the stove, a faint odor and slight smoking will likely be noticed when the stove is first used. Open a window until the smoking stops.

Always connect this gas stove to a vent system and vent to the outside of the building envelope. Never vent to another room or inside the building. Make sure the specified vent pipe is used, properly sized and of adequate height to provide sufficient draft. Inspect the venting system annually for blockage and signs of deterioration.

**WARNING:** Failure to position the parts in accordance with the diagrams in this booklet, or failure to use only parts specifically approved with this appliance, may result in property damage or personal injury.

**WARNING:** Do not operate with the glass front removed, cracked or broken. Replacement of the glass should be done by a licensed or qualified service person.

• Never use solid fuels such as wood, paper, cardboard, coal, or any flammable liquids, etc., in this appliance.

• Do not use this appliance if any part has been under water. Immediately call a qualified service technician to inspect the appliance and to replace any part of the control system or any gas control which has been under water.

• Do not abuse the glass by striking it or slamming the door shut.

• If the C44 unit is pulled out of its installation, and the vent-air intake system is disconnected for any reason, ensure that the vent-air intake pipes are reconnected and re-sealed in accordance to the instructions noted in INITIAL INSTALLATION - DIRECT VENT



**HOT GLASS WILL CAUSE BURNS**

**DO NOT TOUCH GLASS UNTIL COOLED.**

**NEVER ALLOW CHILDREN TO TOUCH GLASS.**



A barrier designed to reduce the risk of burns from the hot viewing glass is provided with this appliance and shall be installed for the protection of children and other at-risk individuals.

# TABLE OF CONTENTS

|  |           |
|--|-----------|
| <b>Safety Precautions</b> .....                      | <b>2</b>  |
| <b>Table of Contents</b> .....                       | <b>4</b>  |
| <b>Codes And Approvals</b> .....                     | <b>5</b>  |
| <b>Specifications</b> .....                          | <b>6</b>  |
| Dimensions:.....                                     | 6         |
| Rating Label & Lighting Instructions Location: ..... | 6         |
| <b>Operating Instructions</b> .....                  | <b>7</b>  |
| Pilot Light: .....                                   | 8         |
| Air Shutter (Venturi): .....                         | 8         |
| Remote controls:.....                                | 8         |
| Burner Lighting: .....                               | 9         |
| Blower speed: .....                                  | 9         |
| Normal Sounds During Operation: .....                | 9         |
| <b>Maintenance And Service</b> .....                 | <b>10</b> |
| Routine Maintenance: .....                           | 10        |
| Cleaning The Glass:.....                             | 10        |
| Cleaning The Firebox:.....                           | 10        |
| Replacing the Glass: .....                           | 10        |
| Cleaning Decorative Surfaces: .....                  | 11        |
| Safety Screen: .....                                 | 11        |
| Glass Door Removal: .....                            | 12        |
| Burner Removal: .....                                | 12        |
| Access panels: .....                                 | 13        |
| Intake Shield Removal: .....                         | 13        |
| Fuel Conversion: .....                               | 13        |
| <b>Initial Installation</b> .....                    | <b>16</b> |
| Introduction:.....                                   | 16        |
| Unit Install Preparation: .....                      | 16        |
| Placement and Framing: .....                         | 17        |
| Vent Termination Framing:.....                       | 18        |
| Alternate Gas Inlet Location.....                    | 18        |
| Floor Protection: .....                              | 19        |
| Mantel Requirements:.....                            | 19        |
| Installation with Recess .....                       | 21        |
| Corner Installation: .....                           | 22        |
| Vent Heat Shield: .....                              | 22        |
| Horizontal Vent install:.....                        | 23        |
| Vertical Vent install:.....                          | 23        |
| Clearances & Non-Combustible : .....                 | 24        |
| TV Installation Considerations: .....                | 25        |
| Direct Vent: .....                                   | 26        |
| Vent Termination Restrictions: .....                 | 26        |
| Venting Clearances:.....                             | 27        |
| Approved Venting Parts: .....                        | 28        |
| Allowable Co-Axial Vent Configurations: .....        | 29        |
| Exhaust Restrictor Setting:.....                     | 31        |
| Horizontal Termination:.....                         | 32        |
| Vertical Termination:.....                           | 33        |
| Gas Line Connection and Testing: .....               | 36        |
| Electrical Requirements: .....                       | 38        |
| <b>Secondary Installation</b> .....                  | <b>40</b> |
| Burner Tray Installation: .....                      | 40        |
| Panel and Media Installation: .....                  | 41        |
| Log Set Installation: .....                          | 43        |
| <b>Trouble Shooting</b> .....                        | <b>45</b> |
| <b>Parts List</b> .....                              | <b>46</b> |
| <b>Parts Diagram</b> .....                           | <b>47</b> |

# CODES AND APPROVALS

**DIRECT VENT ONLY:** This type is identified by the suffix DV. This appliance draws all of its air for combustion from outside the dwelling, through a specially designed vent pipe system.

This appliance has been tested and approved for installations from 0 feet to 4500 feet (1372 m) above sea level.

**In the USA:** The appliance may be installed at higher altitudes. Please refer to your American Gas Association guidelines which state: the sea level rated input of Gas Designed Appliances installed at elevations above 2000 (610 m) feet is to be reduced 4% for each 1000 feet (305 m) above sea level. Refer also to local authorities or codes which have jurisdiction in your area regarding the de-rate guidelines.

**In Canada:** When the appliance is installed at elevations above 4500 feet (1372 m), the certified high altitude rating shall be reduced at the rate of 4% for each additional 1000 feet (305 m).

- This appliance has been tested by INTERTEK and found to comply with the established VENTED GAS FIREPLACE HEATER standards in CANADA and the USA as follows:

**VENTED GAS FIREPLACE HEATER (C44 ; NATURAL GAS, PROPANE GAS)**

TESTED TO: ANSI Z21.88-2014/CSA 2.33-2014 VENTED GAS FIREPLACE HEATERS

CAN/CGA 2.17-M91 (R2009) GAS FIRED APPLIANCES FOR HIGH ALTITUDES

**This ENVIRO C44 Fireplace:**

- Has been certified for use with either natural gas or propane (see rating label).
- Is not for use with solid fuels.
- Is approved for a bedroom or bed sitting room. (**IN CANADA:** must be installed with a listed wall thermostat. **IN USA:** see current ANSI Z223.1 for installation instructions.)
- Must be installed in accordance with local codes. If none exist, use current installation code CAN/CGA B149.1 in Canada or ANSI Z223.1/NFPA 54 in the USA.
- Must be properly connected to an approved venting system and not connected to a chimney flue serving a separate solid-fuel burning appliance.

**IMPORTANT NOTICE (Regarding first fire up):** When the unit is turned on for the first time, it should be turned onto high without the fan on (if equipped) for the first 4 hours. This will cure the paint, logs, gasket material and other products used in the manufacturing process. It is advisable to open a window or door, as the unit will start to smoke and can irritate some people. After the unit has gone through the first burn, turn the unit off including the pilot, let the unit get cold then remove the glass door and clean it with a good gas fireplace glass cleaner, available at your local ENVIRO dealer.



# SPECIFICATIONS

## DIMENSIONS:

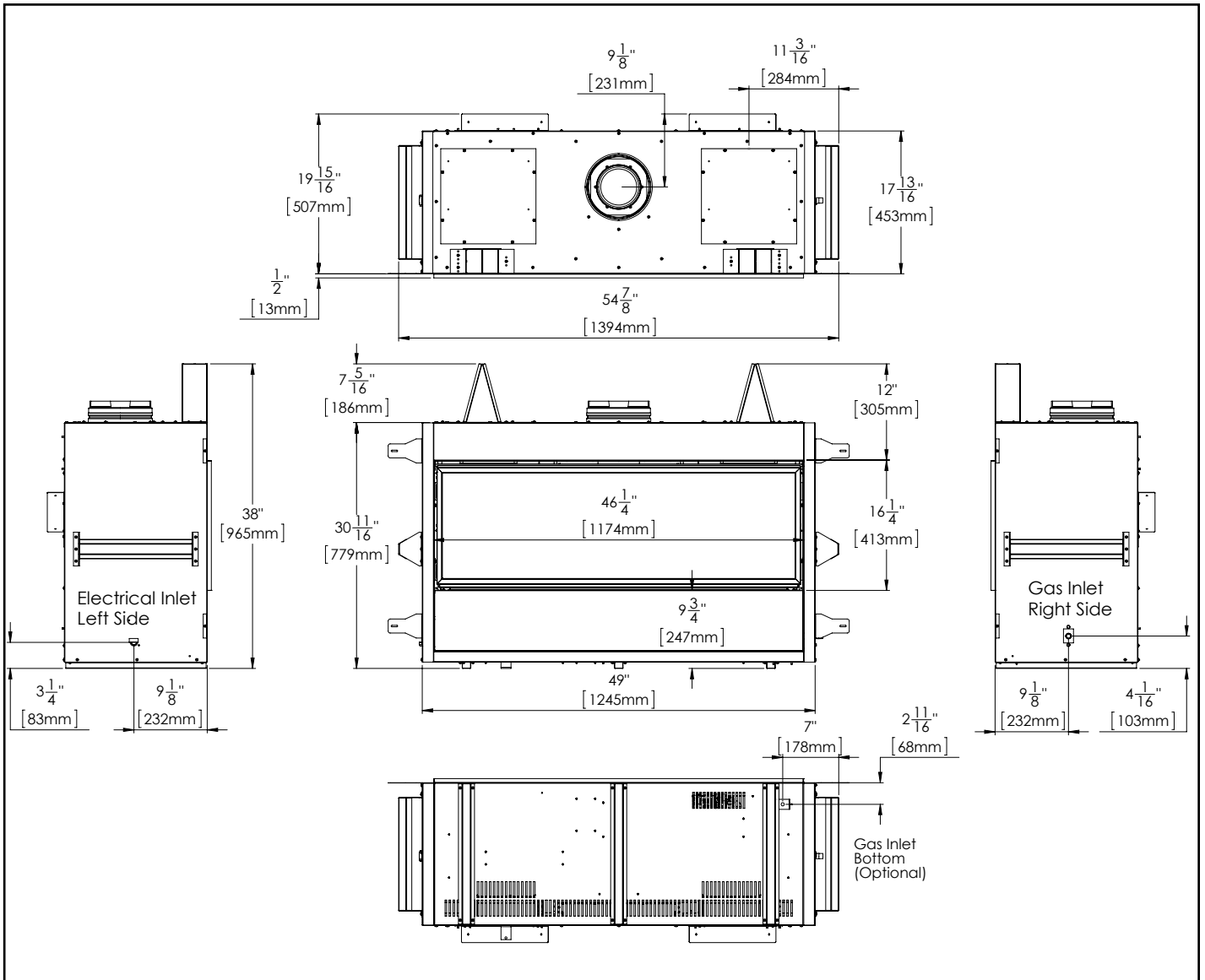


Figure 1. C44 Dimensions

## RATING LABEL & LIGHTING INSTRUCTIONS LOCATION:

Remove the screen completely to access the rating label and lighting instructions. The plates are attached to a length of chain and are never to be tampered with or removed. All important information for your fireplace is on this label as well of the model specific serial number which you will need for warranty information. The plates are located inside the cabinet on the left side near the front.

# OPERATING INSTRUCTIONS

## For Your Safety, Read Safety Precautions And Lighting Instructions Before Operating

**WARNING: IF YOU DO NOT FOLLOW THESE INSTRUCTIONS EXACTLY A FIRE OR EXPLOSION MAY RESULT, CAUSING PROPERTY DAMAGE, PERSONAL INJURY OF LOSS OF LIFE.**

### LIGHTING AND INSTRUCTIONS:

#### FOR YOUR SAFETY READ BEFORE LIGHTING

**WARNING:** If you do not follow these instructions exactly, a fire or explosion may result causing property damage, personal injury or loss of life



- A. This appliance has a pilot which must be lighted by hand. When lighting the pilot, follow these instructions exactly.
- B. BEFORE LIGHTING smell all around the appliance area for gas. Be sure to smell next to the floor because some gas is heavier than air and will settle on the floor.
- C. Use only your hand to push in or turn the gas control knob. Never use tools. If the knob will not push in or turn by hand, don't try to repair it. Call a qualified service technician. Force or attempted repair may result in a fire or explosion.

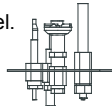
#### WHAT TO DO IF YOU SMELL GAS:


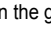
Do not try to light any appliance. Do not touch any electrical switch; do not use any phone in your building. Immediately call your gas supplier from a neighbor's phone. Follow the gas supplier's instructions. If you cannot reach your gas supplier, call the fire department.

- D. Do not use this appliance if any part has been under water. Immediately call a qualified service technician to inspect the appliance and to replace any part of the control system and any gas control which has been under water.


#### LIGHTING INSTRUCTIONS

1. STOP! Read the safety information above on this label.
2. Set the thermostat to the lowest setting.
3. Turn off all electric power to this appliance.
4. Open the front control panel.
5. Turn off the gas control knob clockwise  to the "OFF" position.
6. Open door. Wait five (5) minutes to clear out any gas. Close door. Then smell for gas, including near the floor. If you smell gas, STOP! Follow "B" in the safety information above on this label. If you don't smell gas, go to the next step.
7. Find pilot-located near the center rear of the firebox. Turn the gas control knob counter-clockwise  to "PILOT". Push the gas control in fully and hold, keep knob depressed for about 30 seconds after the pilot is lit. Release knob. If pilot goes out, repeat steps 4 through 5.



- WARNING:** This gas valve has a lockout device, which will not allow the pilot burner to be relit until the thermocouple has cooled.
- If the knob does not pop up when released, stop and immediately call your service technician or gas supplier.
  - If the pilot will not stay lit after several tries, turn the gas control knob clockwise  to "OFF" and call your service technician or gas supplier.
8. Turn the gas control knob counter clockwise  to the "ON" position. Flip the burner switch to "ON" then turn the "HI/LOW" knob to the desired setting.
  9. Close the front control panel.
  10. Turn on all electric power to the appliance.
  11. Set thermostat to desired setting.

#### TO TURN OFF GAS TO APPLIANCE

1. Set the thermostat to the lowest setting.
2. Turn off all electric power to the appliance if service is to be performed.
3. Open the front control panel and flip burner switch to "OFF"
4. Turn the gas control knob clockwise  to the "OFF" position.
5. Close the front control panel.

C-12454

Figure 2. Lighting Instruction Label

# OPERATING INSTRUCTIONS

## PILOT LIGHT:

1. Turn off the gas to the fireplace. **If not recently done, remove the glass and let the unit air out for at least five (5) minutes to clear out any gas.** Turn on gas to the heater.
2. Be sure there is no burner media in the protected pilot area of the burner pan. Start the pilot by pressing the gas control knob (Figure 5) and turning it to PILOT. Turn the gas control knob to pilot and push in, press the piezo ignitor several times until the pilot light starts. Hold the gas control knob in for at least 30 seconds once lit. Check that the pilot has fully engulfed the thermocouple assembly (see Figure 3). The pilot should now stay lit on its own.

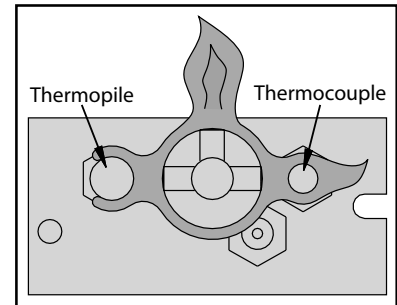


Figure 3. Pilot Flame

**This stove must be wired with an external burner switch or thermostat for safety and convenience.**

## AIR SHUTTER (VENTURI):

The air shutter plays a very important role in flame appearance and combustion quality. The shutter adjusts how much air gets mixed with the gas before it ignites. Adjustments can be made to accommodate various climates and vent configurations.

To gain access to the air shutter remove the safety screen and intake shield. There is a lever underneath the firebox near the gas valve as shown in Figure 4. Moving the lever to the right will close off the air mixing with the gas and will make the flame appear more yellow and tall. Moving the lever to the left will open up the shutter allowing more air to be mixed with the incoming gas; this will make the flames appear more blue and short.

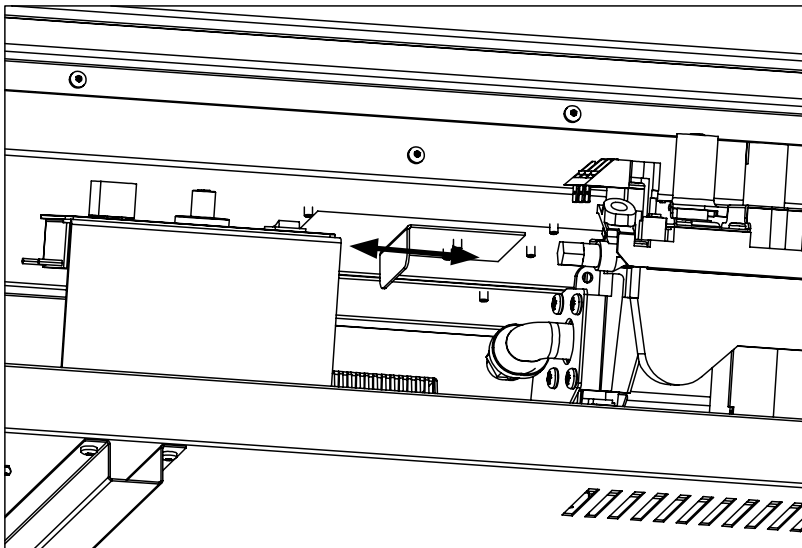


Figure 4. Air shutter adjustment lever

**Typically natural gas flames will require the shutter to be more closed.**

**Typically LP flames will require the shutter to be more open.**

If you cannot attain the proper flame by making air shutter adjustments then you may have the incorrect exhaust restrictor.

If the flame is very flickery, fast moving, and low then increase the restriction.

If the flame is very tall, lazy, and dirty then decrease the restriction.

More details can be found in the venting section of this manual.

**Caution: Wear heat resistant gloves when making adjustments to the air shutter. Perform adjustments after 15 minutes.**

## REMOTE CONTROLS:

This fireplace can use an optional remote control or an optional cordless wall thermostat. If either of these are to be used to control the fireplace for the majority of the time, leave the ON/OFF switch (on the control panel) in the remote/thermostat position. Consult the instructions included with the remote/wall thermostat for operation guidelines.



# OPERATING INSTRUCTIONS

## For Your Safety, Read Safety Precautions And Lighting Instructions Before Operating

### BURNER LIGHTING:

1. Remove the screen and the intake shield.
2. Make sure the pilot is lit, if not light it.
3. Turn gas control knob COUNTER CLOCKWISE to ON.
4. Flip the burner switch to ON.
5. Turn HI/LO control knob to the desired flame height.

**NOTE:** Check that all burner holes are lit.

### TO TURN GAS FIREPLACE OFF:

Flip switch to OFF to turn off burners, turn the gas control knob to OFF to extinguish the pilot flame. Keep the pilot flame **OFF** when not in use. If the fireplace is to be serviced, turn the gas shut off valve to OFF (DO NOT FORCE IT) and disconnect all electrical power sources. See Figure 5 for control panel layout.

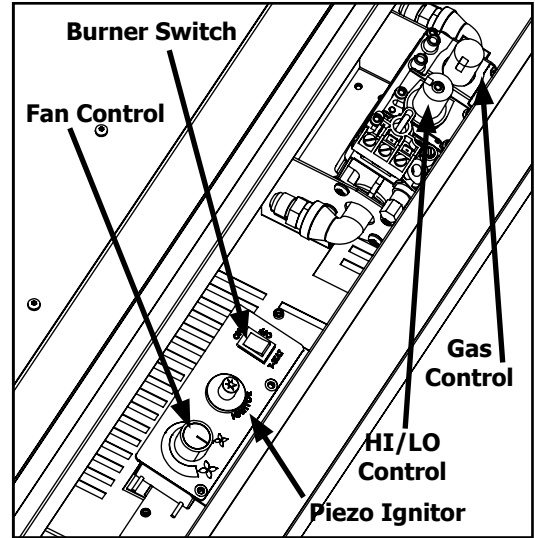


Figure 5. Control Panel

**NOTE:** When the unit is turned on for the first time, it should be turned onto high, with the fan OFF for the first two to four hours. This will cure the paint, logs, gasket material, and other products used in the manufacturing process. It is advised that a door or window be opened as the unit will start to smoke, which can irritate some people. After the unit has gone through the first burn, turn the unit OFF, including the pilot, and let the unit get completely cold. Then remove the glass and clean it with a good gas fireplace glass cleaner, available at your local Enviro dealer. See "MAINTENANCE AND SERVICE; GLASS DOOR REMOVAL" and "MAINTENANCE AND SERVICE; CLEANING THE GLASS."

### BLOWER SPEED:

Convection fans are optional, they will come on only when the fireplace is up to temperature (approximately 15 minutes). The speed of the fan can be changed by turning the fan control knob. The blower will continue to operate automatically after the unit has been shut off (approximately 25 minutes). To turn the blower off, turn the knob COUNTER CLOCKWISE until it "clicks" off (Figure 6).

It is advisable not to operate the blower below 1/3 speed as it puts a strain on the windings of the blower which could also cause premature fan failure.



Figure 6. Fan Control

### NORMAL SOUNDS DURING OPERATION:

Table 1: Normal Sounds

| Component          | Normal Sound Description   |
|--------------------|--|
| Main Unit          | Creaking when heating up or cooling down                                 |
| Burner             | Light pop or poof when turned off  |
| Temperature Sensor | Clinking when it senses to turn the blower on or off                     |
| Pilot Flame        | Quiet whisper while the pilot flame in on                                |
| Blower / Fan       | Air movement that increase and decreases with the speed of the blower    |
| Gas Control Valve  | Dull click when turning on or off, this is the valve opening and closing |

# MAINTENANCE AND SERVICE

---

## ROUTINE MAINTENANCE:

---

At least once a year, run through the following procedures to ensure the system is clean and working properly. Check the burner to see if all the ports are clear and clean. Check the pilot to make sure it is not blocked by anything. The pilot flame should be blue with little or no yellow on the tips.

**Warning:** Clearances must be sufficient to allow access for maintenance and service.

**Warning:** Failure to position the parts in accordance with this manual, or failure to use only parts specifically approved with this appliance may result in property damage or personal injury.

The venting system must be periodically examined; it is recommended the examination is done by a qualified agency.

## CLEANING THE GLASS:

---

**When the fireplace has cooled**, remove the safety screen and glass door. See MAINTENANCE AND SERVICE - GLASS DOOR REMOVAL. Check the gasket material on the back of the glass, making sure that it is attached and intact.

During a cold start up, condensation will sometimes form on the glass. This is a normal condition with all fireplaces. However, this condensation can allow dust and lint to cling to the glass surface. Initial paint curing of the appliance can leave a slight film behind the glass, a temporary problem. The glass will need cleaning about two weeks after installation. **Use a mild glass cleaner and a soft cloth. Abrasive cleaners will damage the glass and painted surfaces.** Depending on the amount of use, the glass should require cleaning no more than two or three times a season. **Do not clean the glass when it is hot.**

## CLEANING THE FIREBOX:

---

Remove the logs carefully, as they are very fragile. Gently remove all the media and place on a paper towel. Vacuum the bottom of the firebox thoroughly. Carefully clean any dust off the logs and remove any lint from the burner and pilot. At this time, inspect the burner tube for cracking or severe warping. If a problem is suspected, contact the dealer. Check the logs for deterioration or large amounts of soot; a small amount on the bottom side of the logs is normal. Replace the logs as shown in the SECONDARY INSTALLATION - LOG SET INSTALLATION section. If new/more media is required, contact your nearest ENVIRO dealer.

## REPLACING THE GLASS:

---

The glass in the fireplace is a high temperature ceramic. If the glass is damaged in any way, a factory replacement is required (see PARTS LIST). Wear gloves when handling damaged glass door assembly to prevent personal injury. Do not operate with the glass front removed, cracked or broken. Removal and replacement of the glass from the door **must** be done by a licensed or qualified service person. **The glass must be purchased from an ENVIRO dealer. No substitute materials are allowed.** To remove the door (see page 12). The replacement glass will come with a new gasket installed. Remove any silicone remnants from the door. Apply high temperature silicone to the two vertical faces of the door and install the new piece of glass with gasket (be sure to maintain edge clearances). Apply even pressure to the glass to allow the silicone to adhere to the gasket material.

# MAINTENANCE AND SERVICE

---

## CLEANING DECORATIVE SURFACES:

---

Painted and porcelain faces should be wiped with a damp cloth periodically. If a plated face has been purchased, it should be unpacked/unwrapped carefully to avoid getting anything on the surface of the finish, including cleaners, polish and finger prints. It is important to note that fingerprints and other marks can leave a permanent stain on plated finishes. **To avoid this, give the face a quick wipe with denatured alcohol on a soft cloth BEFORE lighting the fireplace.** Never clean the face when it is hot. Do not use other cleaners as they may leave a residue, which can become permanently etched into the surface.

## SAFETY SCREEN:

---

A safety screen is installed from the manufacture to protect its users from the dangers of the hot glass preceding it. There are four safety screen mounting brackets that hold the screen into position as shown in Figure 7. In order to remove the safety screen it is easiest to grab with both hands from the bottom and lift the screen up off the mounting brackets and outward.

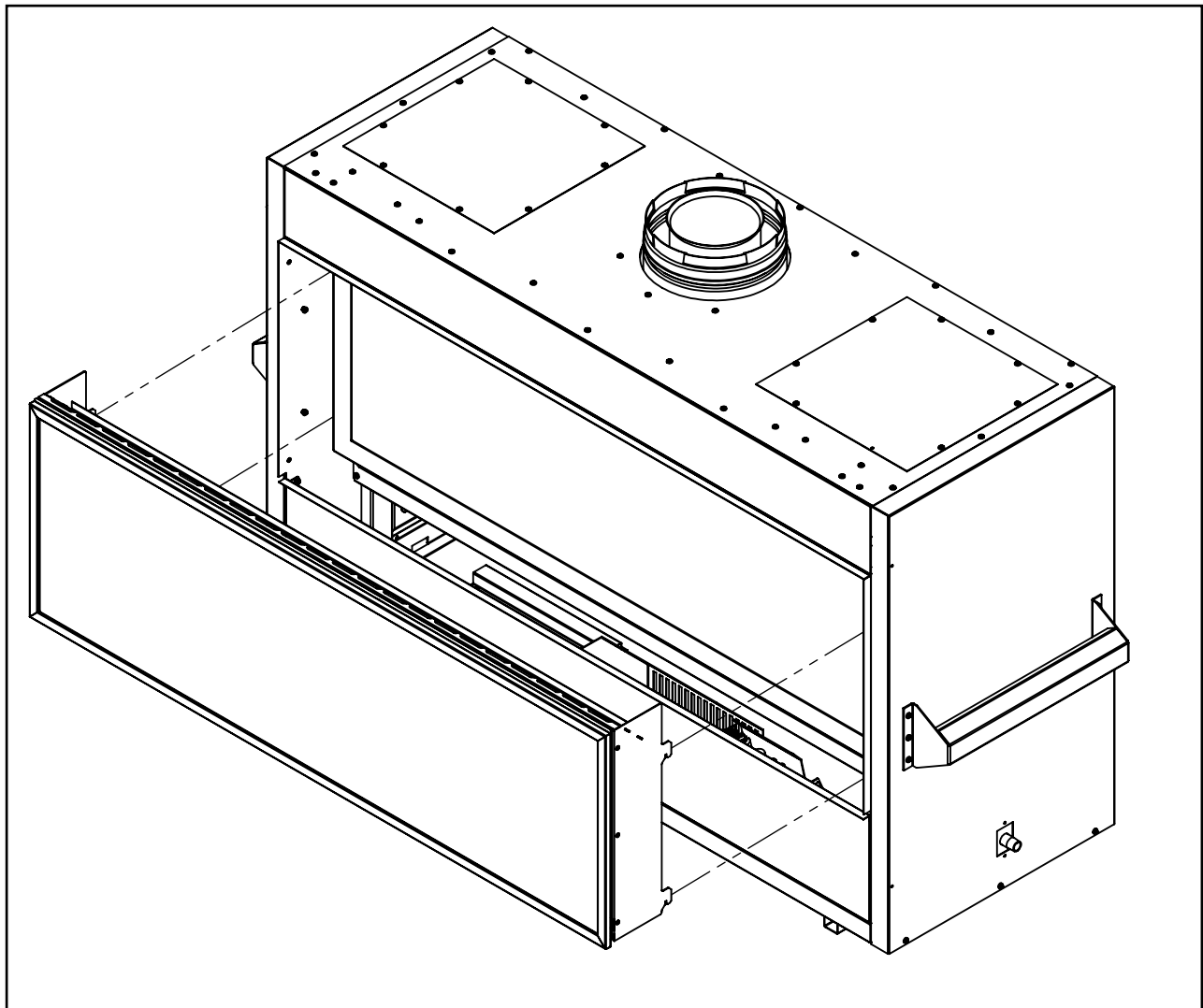


Figure 7. Safety Screen Removal

# MAINTENANCE AND SERVICE

## GLASS DOOR REMOVAL:

To remove the glass door use a 3/8 socket to remove the 4 upper bolts and rotate outward. To replace the door simply reverse the order; do not over tighten the bolts or they may strip.

**WARNING:** Do not touch or attempt to remove the glass door if the fireplace is not completely cold.

**WARNING:** Never operate the fireplace with the glass door removed.

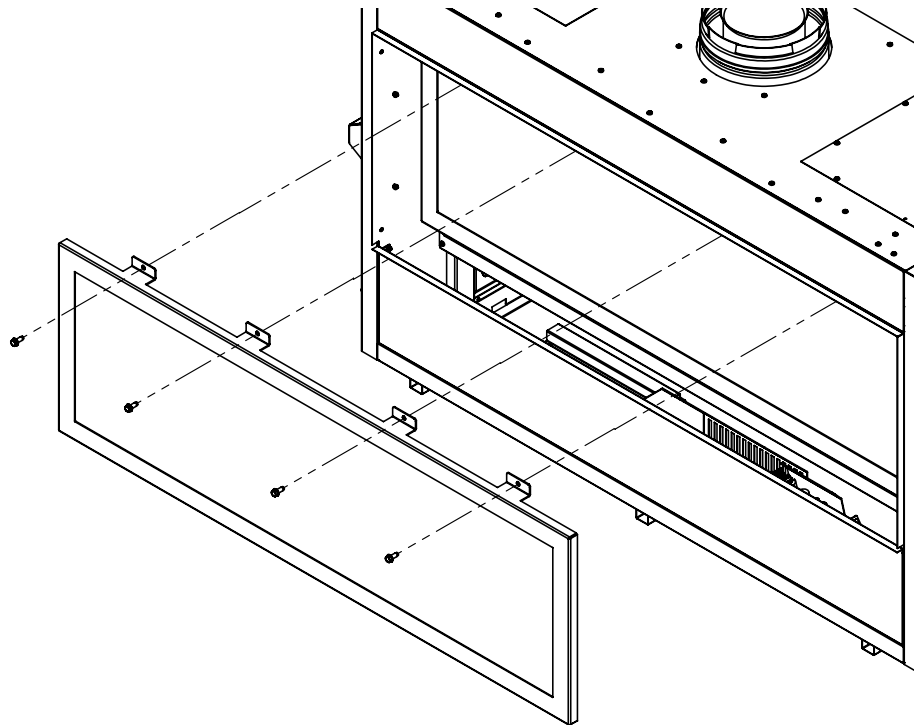


Figure 8. Door Removal

## BURNER REMOVAL:

The burner will need to be removed for maintenance and fuel conversion. Follow the procedure carefully. **Proceed only when the unit has completely cooled down.**

1. Remove the safety screen as shown in MAINTENANCE AND SERVICE - SAFETY SCREEN REMOVAL.
2. Remove the glass door as shown in the MAINTENANCE AND SERVICE - GLASS DOOR REMOVAL.
3. Remove log set or high definition rock set (if installed).
4. Remove any media from the media tray.
5. Remove the media tray as shown in SECONDARY INSTALLATION - MEDIA TRAY REMOVAL.
6. Remove the six T-20 screws securing the burner pan as shown in Figure 9; do **NOT** remove the other T-20 screws. Once the specified screws are removed slide burner to the left and lift out to remove.

To re-install the burner follow steps above in reverse. When placing the burner back in the unit be sure not to move the air shutter. **Make sure the burner is slid all the way in or the mounting holes will not line up. Do not over tighten the burner screws or they might strip; just get them snug.**

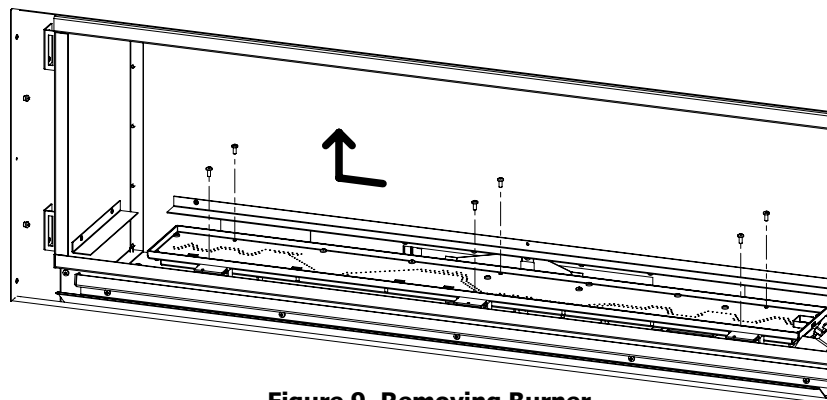


Figure 9. Removing Burner

# MAINTENANCE AND SERVICE

## ACCESS PANELS:

There are two access doors in the bottom on the firebox that is used for servicing components after the unit is installed in a construction enclosure. **Proceed only when the unit has completely cooled down.**

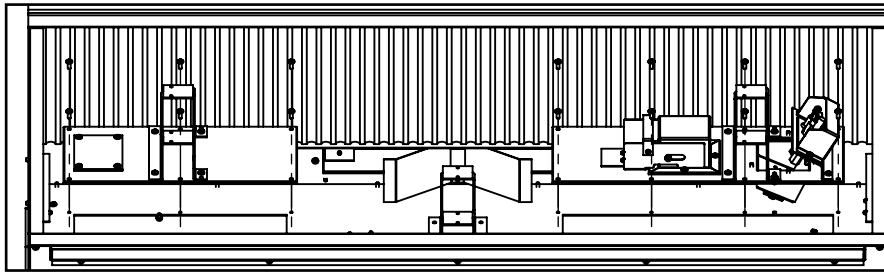


Figure 10. Removing Access Door

1. Remove the burner and burner tray as shown in the MAINTENANCE AND SERVICE - BURNER REMOVAL.
2. Remove the (14) T-20 bolts retaining the access panels as shown in Figure 10.
3. After servicing assemble in the reverse order and be sure the gasket is still intact. Replace if necessary.

## INTAKE SHIELD REMOVAL:

You will need to remove the Intake Shield to gain access to the components below and make adjustments to the air shutter. To remove the shield simply lift it up off the slots.

DO NOT run the unit without the Intake Shield as it allows the unit to evacuate heat out of the unit and protect the components.

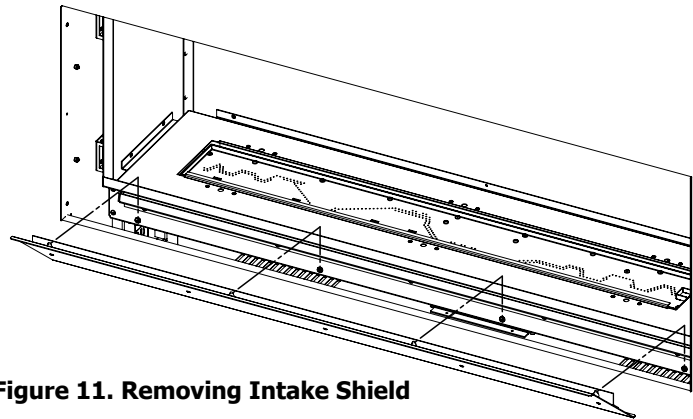


Figure 11. Removing Intake Shield

## FUEL CONVERSION:

**TO BE INSTALLED BY A QUALIFIED SERVICE AGENCY ONLY**

**Please read and understand these instructions before installing.**

**Warning:** This conversion kit shall be installed by a qualified service agency in accordance with the manufacturer's instructions and all applicable codes and requirements of the authority having jurisdiction. If the information in these instructions is not followed exactly, a fire, explosion or production of carbon monoxide may result causing property damage, personal injury or loss of life. The qualified service agency is responsible for the proper installation of this kit. The installation is not proper or complete until the operation of the converted appliance is checked as specified in the manufacturer's instructions supplied with the kit.

### Kit Parts List for C44 Model:

- 1 - Orifice (NG - #32 DMS or LP - #49 DMS) as marked
- 1 - Installation instruction sheet
- 2 - Conversion labels

Carefully inspect all parts supplied with this conversion kit. If any parts have been damaged or are missing, contact your dealer, distributor or courier company to have them replaced before starting this installation.

# MAINTENANCE AND SERVICE

## Conversion Kit Installation:

1. Turn control knob on the gas valve to the "OFF" position and shut the gas supply off at the shut-off valve upstream of the valve. CAUTION: The gas supply must be shut off prior to disconnecting the electrical power and before proceeding with the conversion. Allow the valve and unit to cool down to room temperature.
2. Remove the glass door as shown in the MAINTENANCE AND SERVICE - GLASS DOOR REMOVAL section of the manual.
3. Carefully remove the log set and media if already installed.
4. Remove the burner and burner tray as shown in the MAINTENANCE AND SERVICE - BURNER REMOVAL section of the manual.
5. Convert the burner orifice:
  - a) Remove the main burner orifice with a 3/8 inch deep socket.
  - b) Put a bead of pipe-thread sealant or approved teflon tape on the new orifice threads before installing into the orifice port.
  - c) Install the new orifice(s) from the kit into the orifice port.
6. Convert the pilot:
  - a) Using a 7/16 wrench , turn the pilot head a 1/4 turn counter clockwise to loosen.
  - b) Pushing the slider to the opposite position. The slider will be marked NAT or LP depending which side is showing.
  - c) Turn the pilot head a 1/4 turn clockwise to lock.
7. Convert the SIT gas valve:
  - a) Remove the black protection cap from the HI/LO knob by hand shown in Figure 13.
  - b) Insert a  $\frac{5}{32}$ " or 4 mm Allen wrench into the hexagonal key-way of the screw  
(see Figure 14), rotate it counter-clockwise until it is free and extract it.
  - c) Check that the screw is clean and if necessary remove dirt.
  - d) Flip the screw (refer to Figure 15).
  - e) Using the Allen wrench as shown in Figure 14, rotate the screw clockwise until a torque of 9 inch lbs.

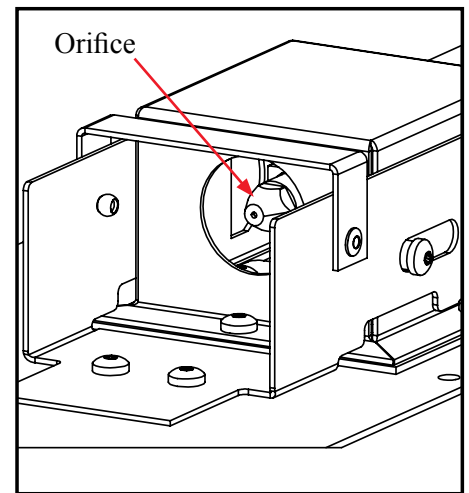


Figure 11: Orifice location

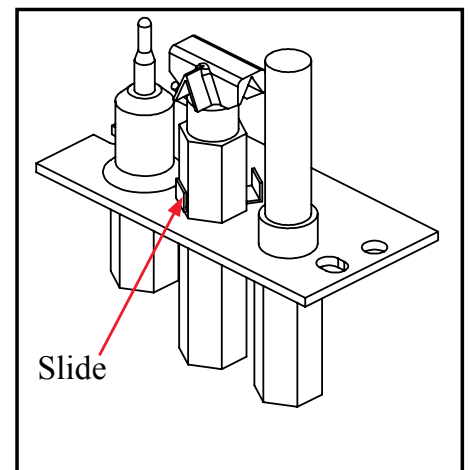


Figure 12: Removing valve cap.

# MAINTENANCE AND SERVICE

**WARNING!** Do not over tighten the screw. It is recommended that you grip the wrench by the short side.

f) Verify that if the conversion is from NG to LPG, the screw must be re-assembled with the red o-ring visible (refer to Figure 16). If the conversion is from LPG to NG, the red o-ring of the screw must be not visible.

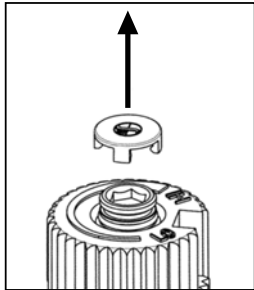


Figure 13: Removing valve cap.

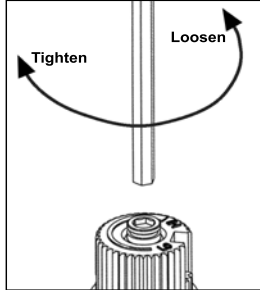


Figure 14: Removing valve screw.

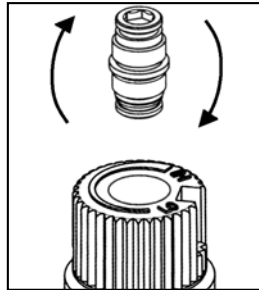


Figure 15: Flip valve screw.

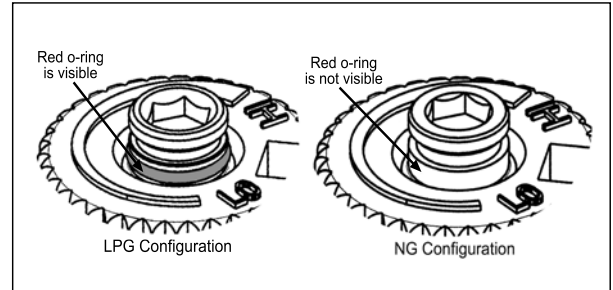


Figure 16: O-ring on valve screw.

8. Reinstall the burner, burner tray, burner media, and glass door. Also refer to SECONDARY INSTALLATION section in your Owner's Manual.
9. Reconnect the main gas line if it was disconnected and open the shut-off valve at the gas line to the unit.
10. Use a small brush to apply a warm soapy water solution to all gas connections (use a half dish soap and half warm water). If a gas leak is present, bubbling will occur. Gas leaks can be repaired by using an approved pipe thread sealant or approved Teflon tape. **NEVER USE AN OPEN FLAME WHEN TESTING FOR LEAKS.**
11. Reconnect the electrical power to the unit.
12. Relight the pilot and confirm the flame properly covers both the thermocouple and thermopile. Should the pilot require adjustment, turn the adjustment screw clockwise to decrease or counterclockwise to increase until the correct flame is achieved.
13. Relight the main burner in both the "HI" and "LO" positions to verify proper burner ignition, operation and proper flame appearance. Confirm the inlet and manifold pressures are within the acceptable ranges as directed in section INITIAL INSTALLATION - GAS LINE CONNECTION AND TESTING. If the unit has been installed at an altitude higher than 2000ft (610m) it is required to de-rate the unit accordingly:  
**In the USA:** The appliance may be installed at higher altitudes. Please refer to your American Gas Association guidelines which state: the sea level rated input of Gas Designed Appliances installed at elevations above 2000 (610 m) feet is to be reduced 4% for each 1000 feet (305 m) above sea level. Refer also to local authorities or codes which have jurisdiction in your area regarding the de-rate guidelines.  
**In Canada:** When the appliance is installed at elevations above 4500 feet (1372 m), the certified high altitude rating shall be reduced at the rate of 4% for each additional 1000 feet (305 m).
14. MAKE SURE that the conversion label is installed on or close to the rating label to signify that the unit has been converted to a different fuel type.

# INITIAL INSTALLATION

## QUALIFIED INSTALLERS ONLY

### INTRODUCTION:

This section of the owner's manual is for the use of qualified technicians only. Fireplace placement, hearths, facing, mantels, and venting terminations will be covered, as well as the gas and electric systems. There are several installation safety guidelines that must be adhered to. Please carefully read the safety precautions at the front of this manual.

- Remove the packaging from the appliance, and check to make sure there is no damage. If damage is found, please report it to both the carrier and your dealer as soon as possible.
- Locate a position where the flue system of the stove can be properly installed without damaging the integrity of the building; e.g. cutting a wall or ceiling joist. Proper framing is necessary.
- Check stove and flue system clearance requirements.
- Locate the stove in a position so a gas supply line can be run to it.
- The fireplace may need an electrical connection depending on the options added.
- Locate the stove in a large and open room that is centrally located in the house. This will optimize heat circulation and comfort.
- The flow of combustion and ventilation air must not be obstructed.

### UNIT INSTALL PREPARATION:

Take a minute to familiarize yourself with Figure 17 below.

- The top framing standoffs will need to be folded up and secured on one side with a T-20 screw, This can be seen in Figure 17.
- The side framing standoffs for this unit also double as handles for positioning and lifting.
- The nailing flanges secure the unit to the framing, these can be turned 180 to allow for a 1/2in shallower framing depth.
- The rear standoffs come from the manufacturer screwed to the top of the unit. Relocate them to the rear as shown

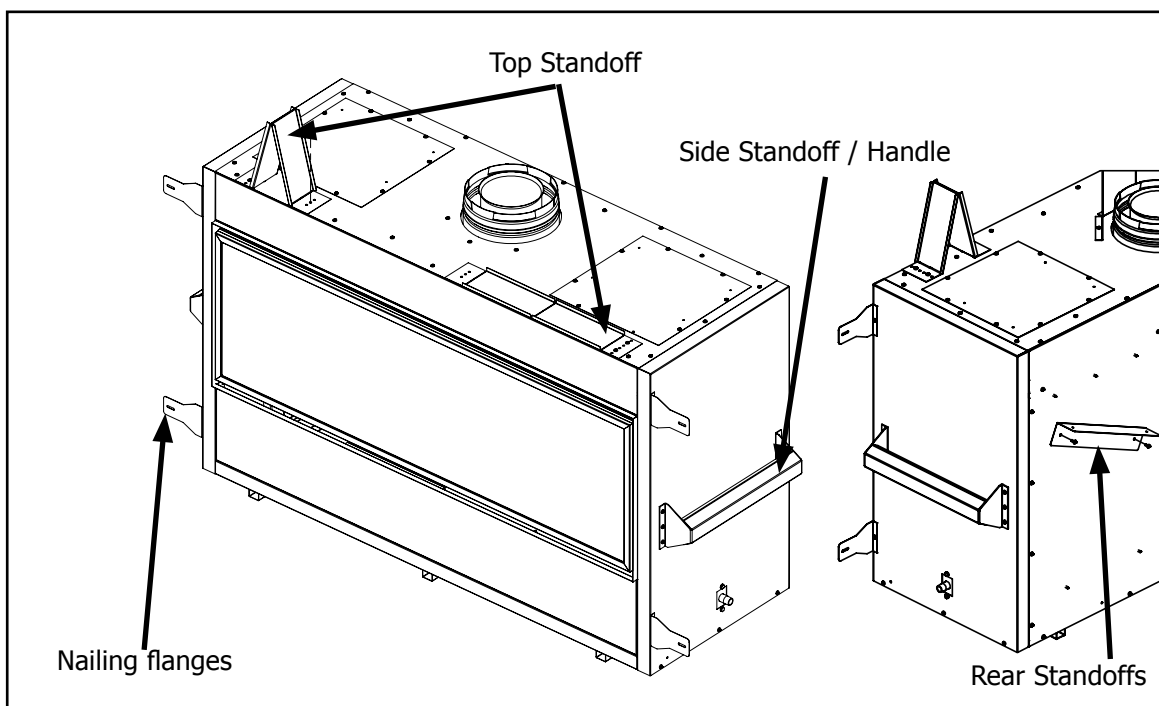


Figure 17: Fireplace Install Prep



# INITIAL INSTALLATION

## QUALIFIED INSTALLERS ONLY

### PLACEMENT AND FRAMING:

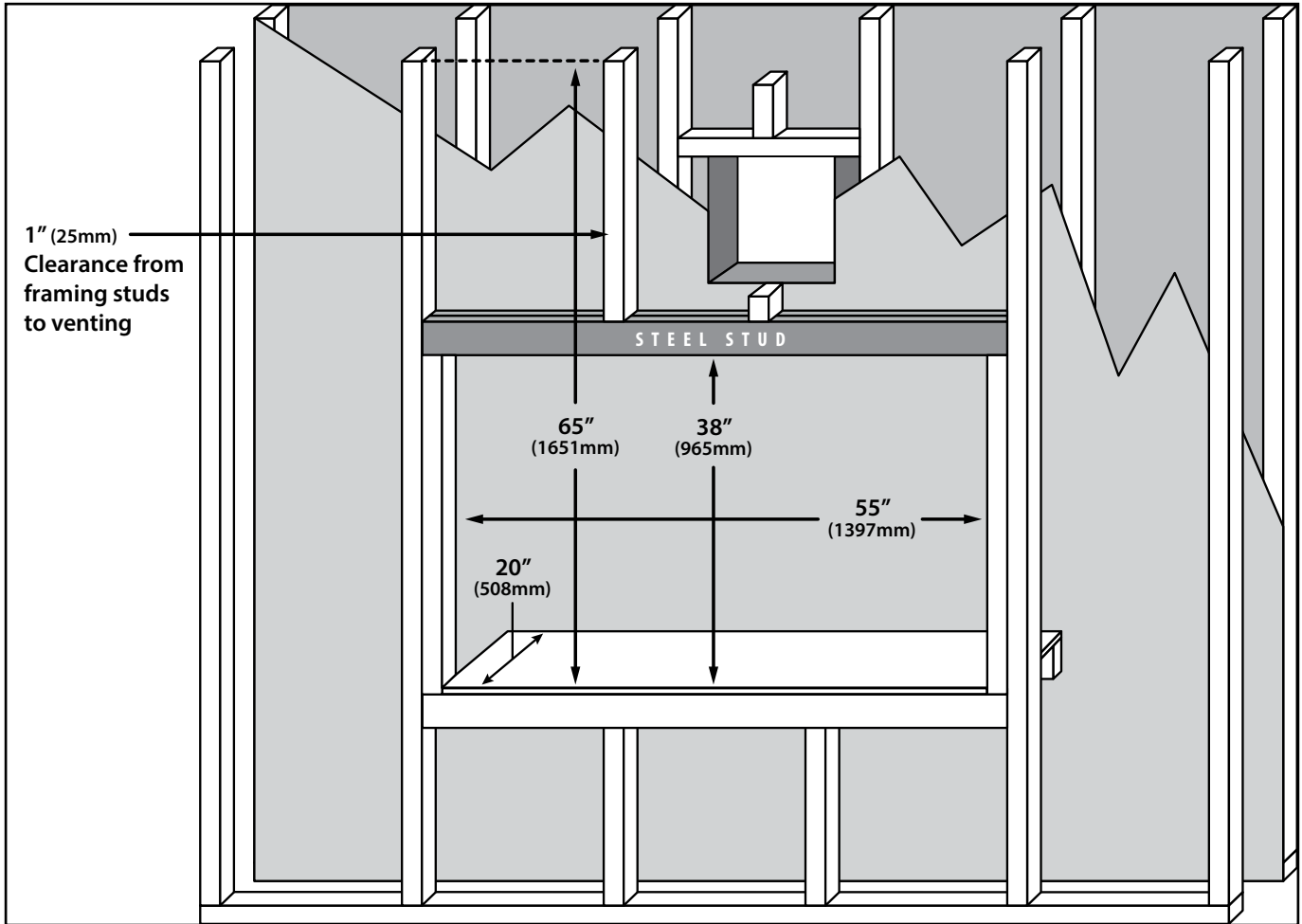


Figure 18: Framing Dimensions

Table 2: Framing Dimensions

| Minimum Framing Dimensions |     |        |
|----------------------------|-----|--------|
| Depth                      | 20" | 508mm  |
| Width                      | 55" | 1397mm |
| Height                     | 38" | 965mm  |
| Enclosure Ceiling          | 65" | 1651mm |

The location for the fireplace can be raised, at floor level, or installed in a corner. There are specific framing measurements for each situation. The basic rough opening should have the dimensions shown in Figure 18. The fireplace must have a strong and level surface to be placed on. The surface should be made of wood or a non-combustible material.

The gas line should be run to the right side of the fireplace, there is a 3/8 Male NPT fitting to connect the gas line too. The electrical wiring should be brought to the left side if needed. The location of the fireplace should be chosen so there will be at least **36 inches (91.4 cm)** from drapes, doors and other combustibles.

# INITIAL INSTALLATION

## QUALIFIED INSTALLERS ONLY

### ALTERNATE GAS INLET LOCATION:

The gas inlet location can be moved to the bottom of the cabinet if needed. This may be needed for certain installations. First remove the two screws on the left side of the unit, see Figure 19. The gas inlet assembly will now be loose in the cabinet. Disconnect the gas line coming from the gas valve, the straight fitting the gas line was connected too will be replaced by a elbow supplied in the manual bag. Thread the elbow into the shut off valve, use gas sealant of threads. Mount the assembly to bottom of the firebox as shown, screws come installed in firebox. Reconnect the gas line to the elbow.

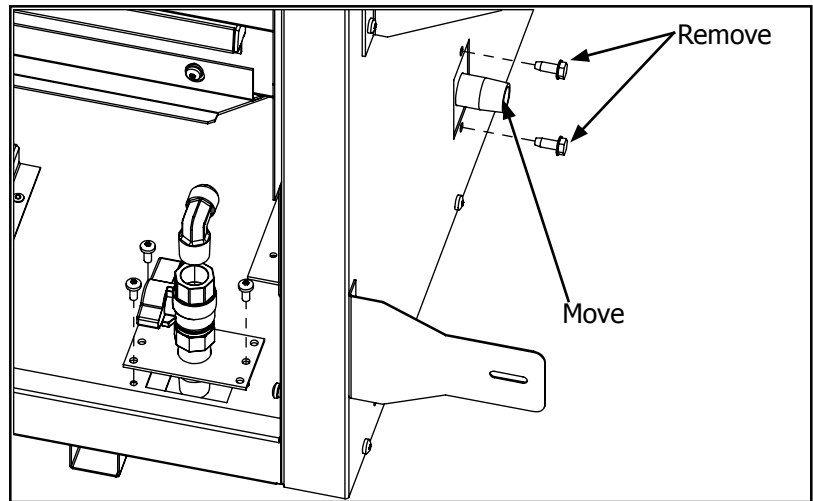


Figure 19: Alternate Gas Inlet Location

### VENT TERMINATION FRAMING:

Minimum venting is shown in figure 20. the framing height to the center of the thimble is 50". Minimum venting must include a 12" vertical section and a 90 degree elbow which is then terminated horizontally.

For a vertical termination please follow the vent pipe manufacturer's installation instructions for vertical vent termination framing.

A minimum of 1 in. (25 mm) clearance on all sides of the vertical vent pipe must be maintained.

**For every 12" of horizontal run there must be a 1/4" of rise.**

**1" of clearance between framing and venting must be maintained at all times. 2" above the venting and 3" above an elbow.**

**Please see vent cap clearance in page 26. Also refer to local building and fire codes.**

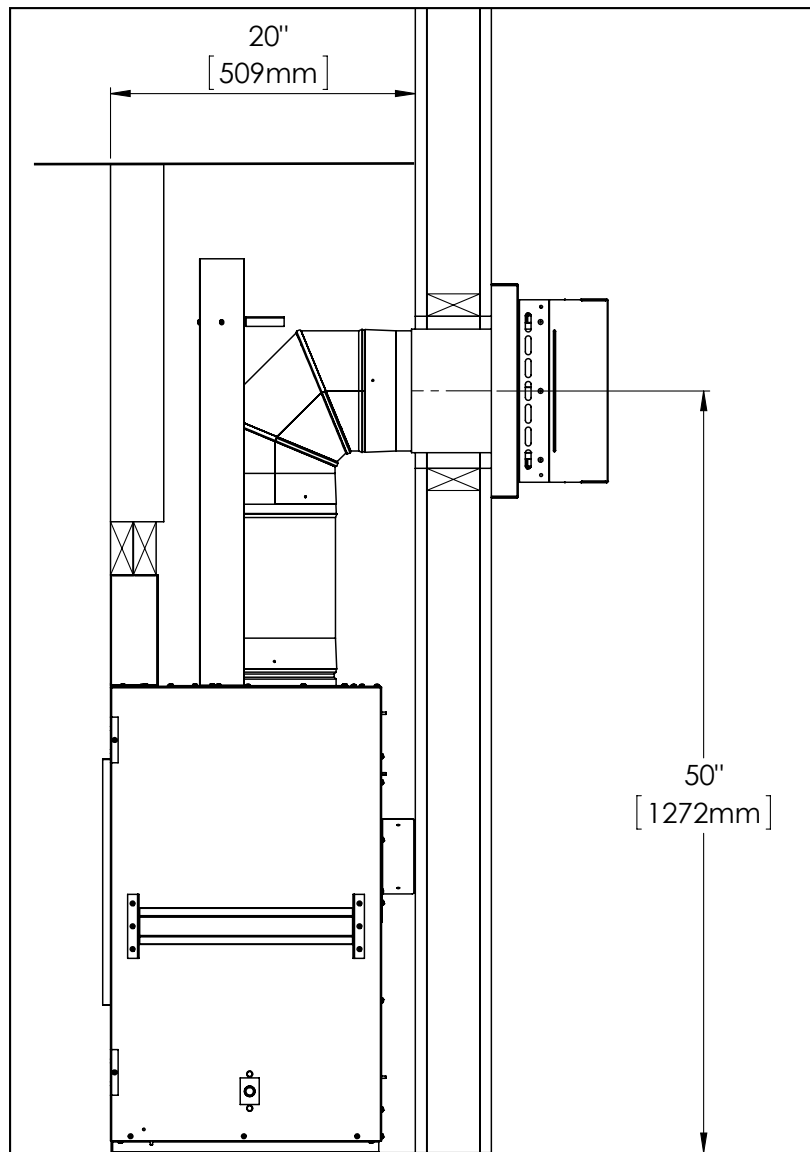


Figure 20: Minimum Horizontal Venting

# INITIAL INSTALLATION

## QUALIFIED INSTALLERS ONLY

### FLOOR PROTECTION:

The C44 may be installed on a combustible floor. **If the appliance is to be installed directly on carpeting, tile, or other combustible material other than wood flooring, the appliance must be installed on a metal or wood panel extending the full width and depth of the appliance.**

If masonry is to be used, prepare the necessary foundation for the masonry load. When masonry construction is being used, a lintel must be used over top of fireplace to support the added weight.

Consider the height of hearth finish material (stone, brick, etc.) when building a fireplace platform. The bottom of the fireplace must be level with finished hearth.

Build the hearth to desired size and height. If a hearth extension is desired, combustible material may be used.

**Above floor level installations: A solid, continuous platform must be constructed below the appliance. MINIMUM PLATFORM SIZE: 54-7/8 in. (1395 mm) wide x 20 in. (508 mm) deep.**

### MANTEL REQUIREMENTS:

Refer to Figure 21(a,b) for a combustible mantel installation, measurement is from bottom of the unit to the bottom of the mantel.

If you are planning on installing a TV above the fireplace refer to page 25 to see the options available.

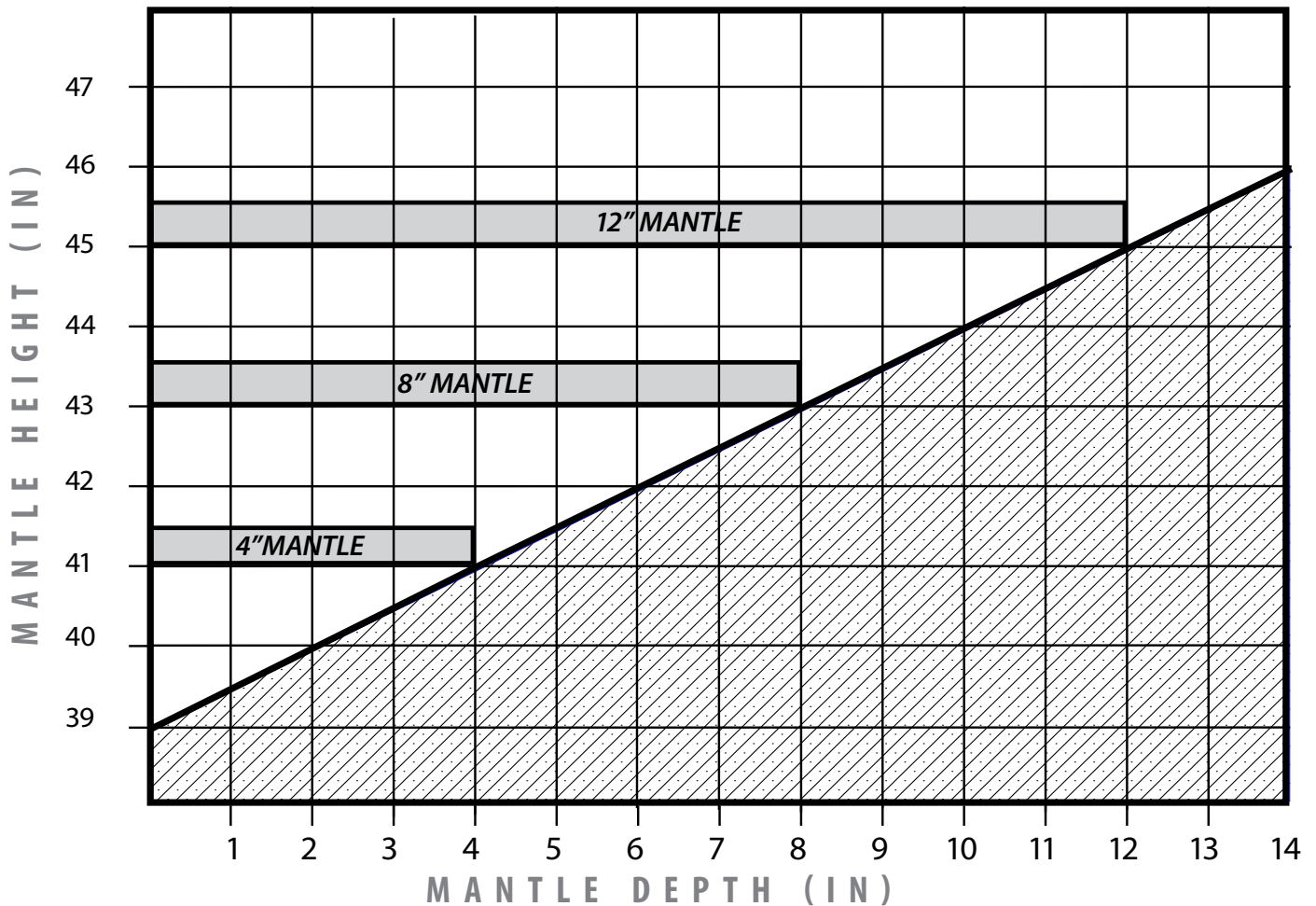


Figure 21(a): Minimum Mantel Height

# INITIAL INSTALLATION

## QUALIFIED INSTALLERS ONLY

If adding a mantel to the C44 please note the critical dimension shown in figure 20. These are minimum dimension as per certification and must be followed. Also note the dimension from the horizontal vent pipe to the internal ceiling this must be maintained.

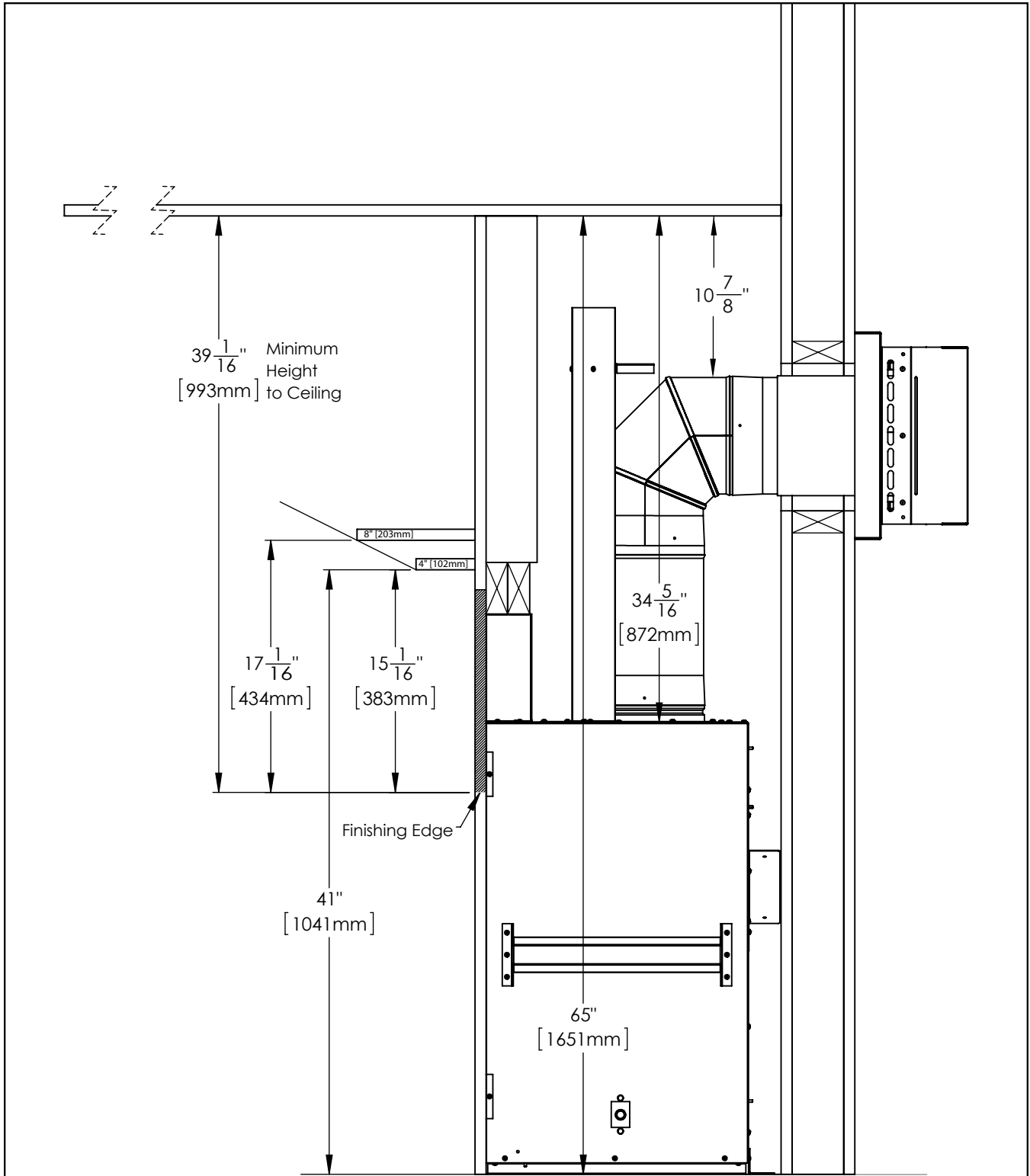


Figure 21(b): Install Dimensions with Mantel

# INITIAL INSTALLATION

## QUALIFIED INSTALLERS ONLY

### INSTALLATION WITH RECESS

Refer to dimensions in Figure 22 if building a recess above the fireplace. Note the dimensions from the finishing edge to the stud below the recess finishing material. The vertical finishing material at the back of the recess must be spaced  $\frac{7}{8}$ " off the vent shield. Also note the dimension from the horizontal vent pipe to the internal ceiling this must be maintained.

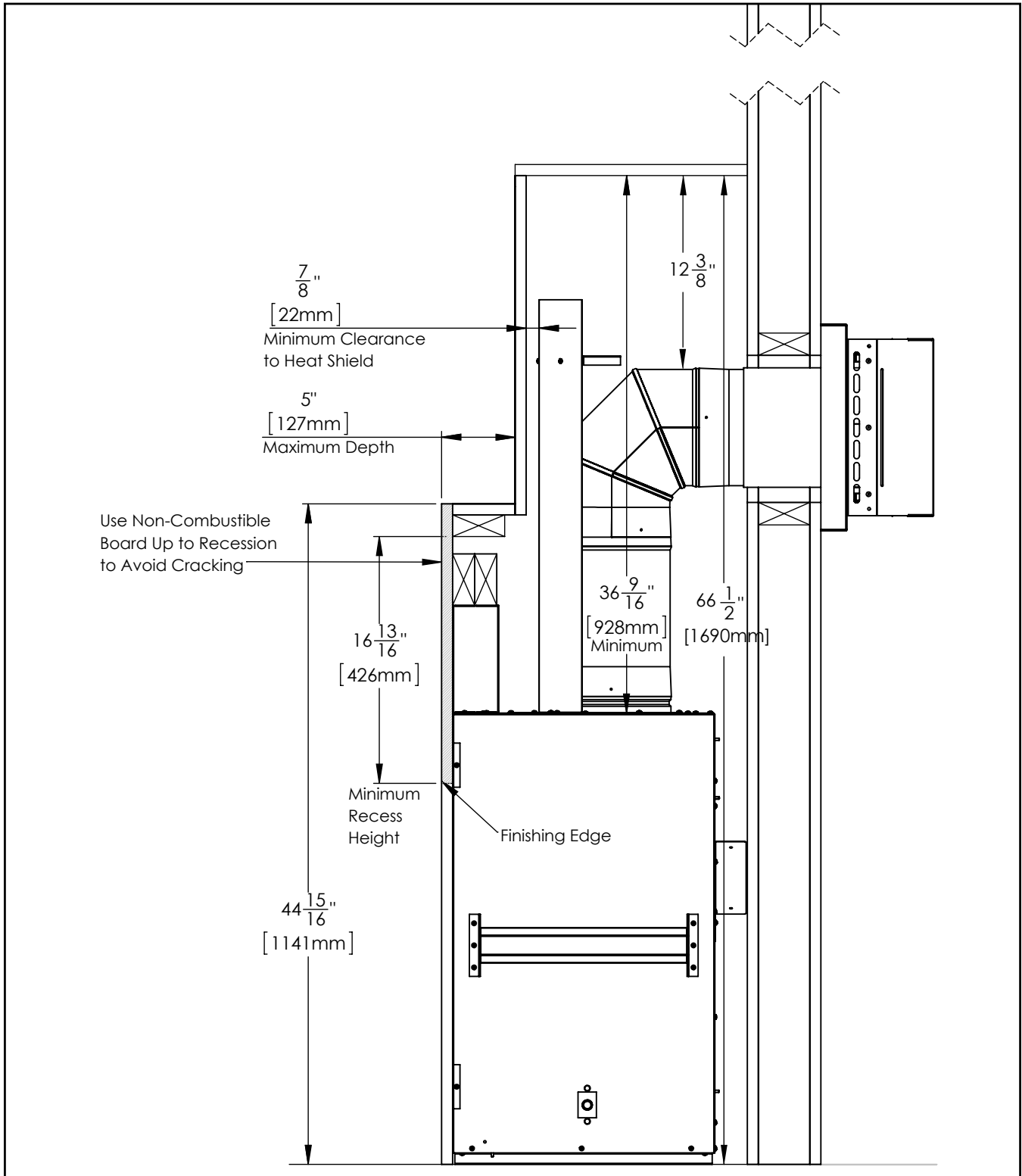


Figure 22: Install Dimensions with Recess

# INITIAL INSTALLATION

## CORNER INSTALLATION: QUALIFIED INSTALLERS ONLY

The dimensions for installing a fireplace in the corner of a room are given in Figure 23. Refer to "INSTALLATION - ALLOWABLE CO-AXIAL VENT CONFIGURATIONS" for allowable pipe lengths.

Do not interfere with the structural integrity of the walls. Shown below are minimum clearances; increasing these dimensions is allowable as long as vent length remains in the allowable range.

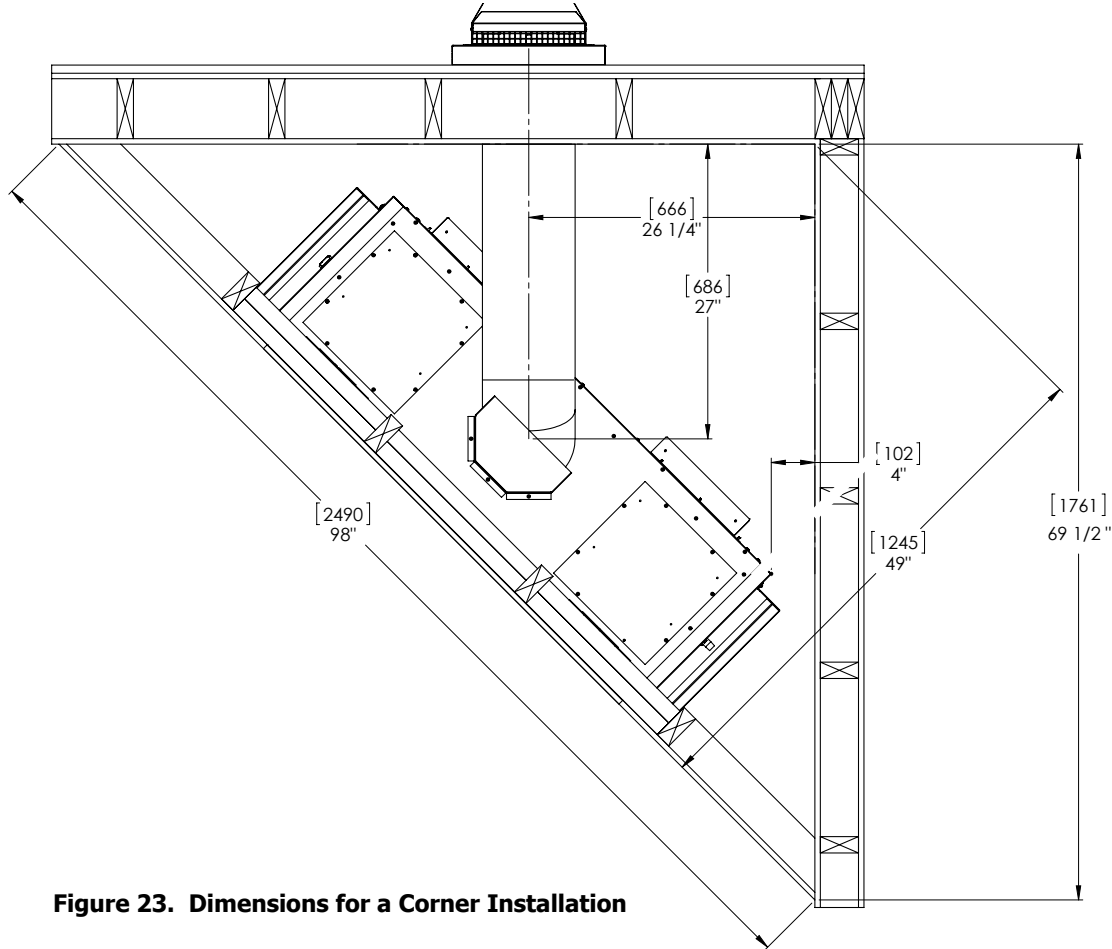


Figure 23. Dimensions for a Corner Installation

## VENT HEAT SHIELD:

**IMPORTANT:** All installations must include the vertical vent shield. The horizontal vent shield is only installed if the fireplace is horizontally terminated with the minimum vertical rise of 12". If more than 12" of vertical rise is used in the vent configuration no horizontal shield is needed. See Figure 24 for shield install. Screws are pre-installed in cabinet and horizontal vent shield. Use a T-20 screwdriver or drill driver to remove screws then install shields.

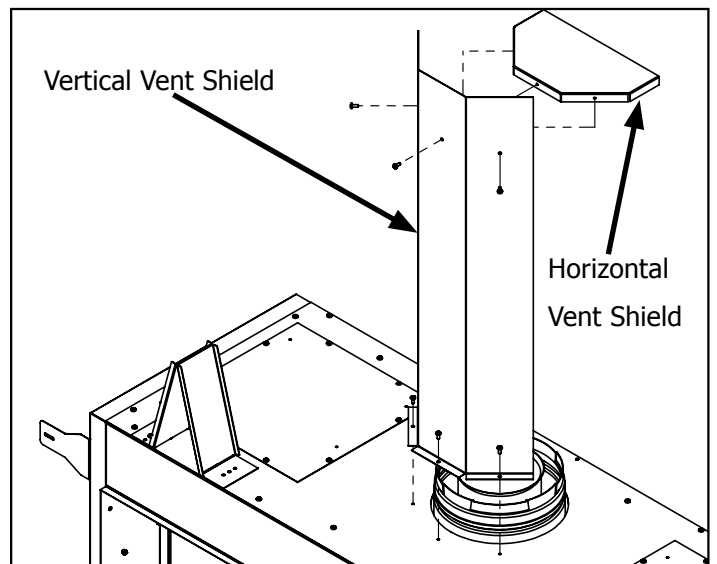


Figure 24. Vent Shielding Install

# INITIAL INSTALLATION

## QUALIFIED INSTALLERS ONLY

### HORIZONTAL VENT INSTALL:

Figure 25 shows a horizontal vent installation with minimum clearances. The horizontal vent shield must be used when the minimum vent configuration is used. If more than 12" of vertical rise is used the shield should not be installed. The vent to ceiling clearance must be maintained no matter the additional vertical vent height; see figure 21(b) and 22. A minimum of 1" clearance on all sides of the vent pipe must be maintained at all time unless specifically stated.

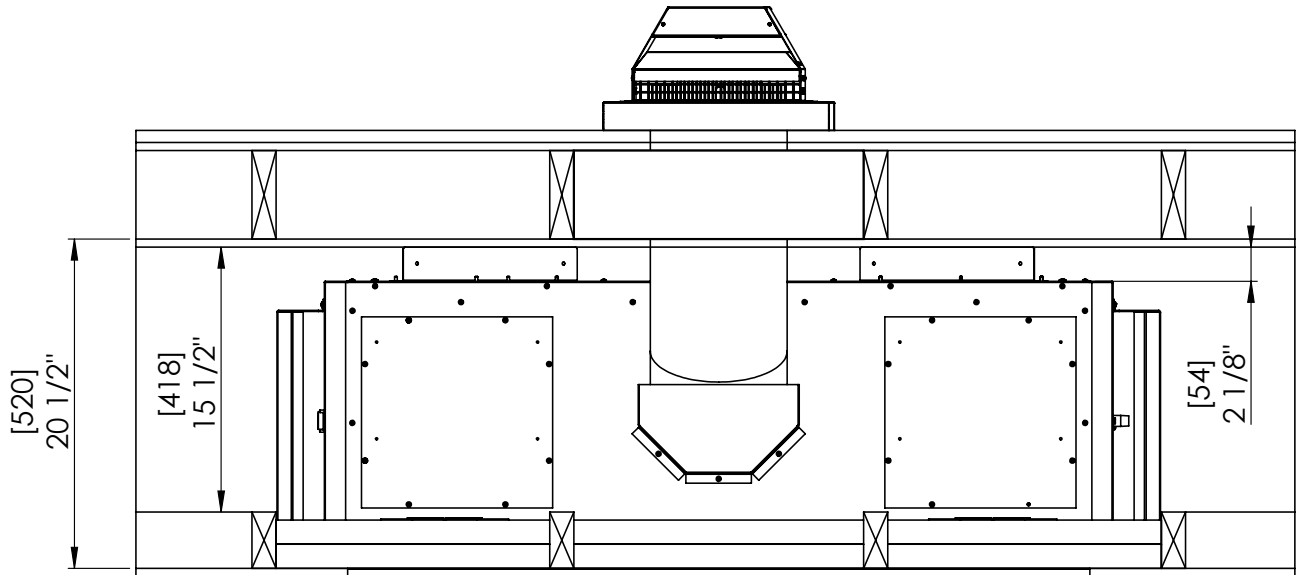


Figure 25. Dimensions for a Horizontal Installation

### VERTICAL VENT INSTALL:

Figure 26 shows a vertical vent installation with minimum install clearances. Vertical vent shield is needed, the horizontal vent shield is not required for vertical vent configurations. A minimum of 1" clearance on all sides of the vertical vent pipe must be maintained at all time unless specifically stated. Please see Initial Installation - Vertical Termination for further details.

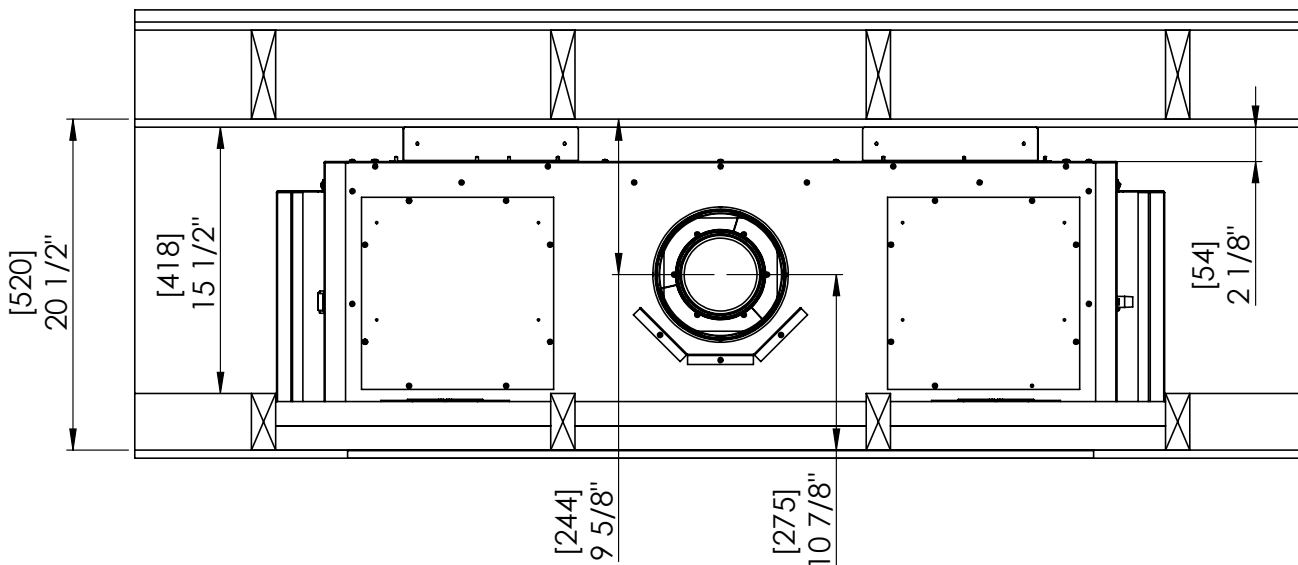


Figure 26. Dimensions for a Vertical Installation

# INITIAL INSTALLATION

## QUALIFIED INSTALLERS ONLY

### CLEARANCES & NON-COMBUSTIBLE :

When installing the C44 as a zero clearance fireplace the correct clearances and materials must be used:

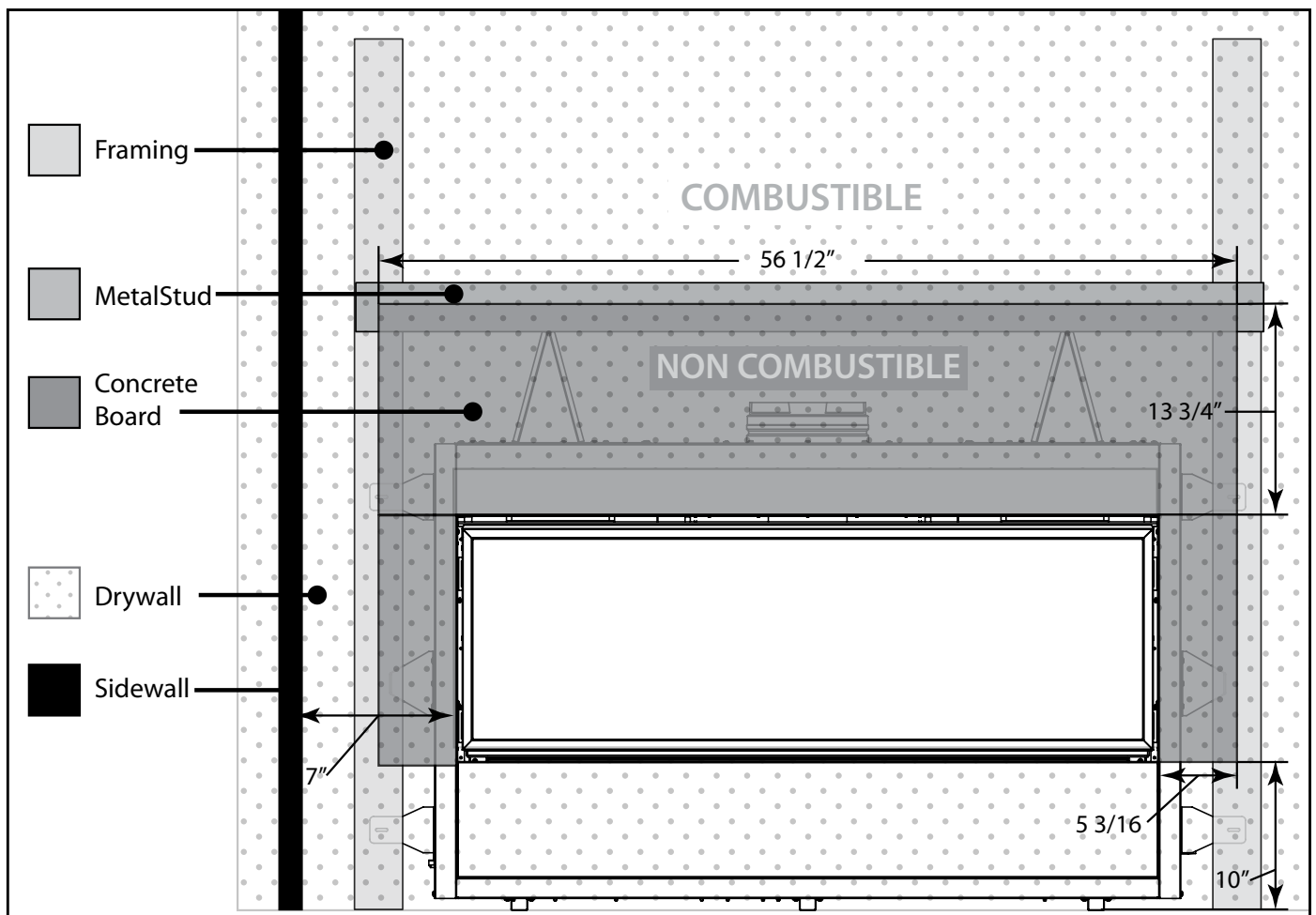
**ABOVE UNIT:** A minimum **13 3/4" (350mm)** of non-combustible facing material must be used above the firebox opening . The non-combustible is only required as shown in Figure 27.

**IN FRONT OF UNIT:** The C44 can be placed on a combustible floor if desired. The unit cannot sit directly on combustible flooring other than wood.

**ADJACENT/SIDEWALL:** There must be **5 3/16" (132mm)** of non combustible from the side finishing edge. There must be a minimum distance of **7" (178mm)** from the finishing edge of the C44 to an adjacent wall composed of combustible material.

**MANTLE:** It is not necessary to install a mantle, but if one is desired the guidelines as shown in Figure 21(a). The minimum clearance from the side of a mantle to wall is 4".

**FLOOR:** There must be a minimum distance of **10" (254mm)** from the bottom finishing edge of the C44 to a floor composed of combustible material.





# INITIAL INSTALLATION

## QUALIFIED INSTALLERS ONLY

### TV INSTALLATION CONSIDERATIONS:

If you are planning to mount a TV above your fireplace some considerations must be made to ensure it is protected from the heat. A recess, mantel, or a combination of both can help deter the heat away from the TV.

**During testing temperatures did not exceed 150°F (65°C) in a 5" deep recess.** There is no guarantee that these temperatures will not harm the longevity of your TV. Make sure to consult your TV manufacturer's specifications to find the maximum allowable operating temperature. Since every home and installation is unique, temperatures should be verified at the time of install if possible. A TV should not be installed if temperatures exceed the manufacturer's maximum allowable temperature.

See Figure 28 for minimum TV installation clearances. If a recessed installation is used make sure there is 2" of clearance around the sides and top of the TV to allow for airflow. Remember these are minimum dimensions increasing them can only help reduce the temperature the TV is subjected too.

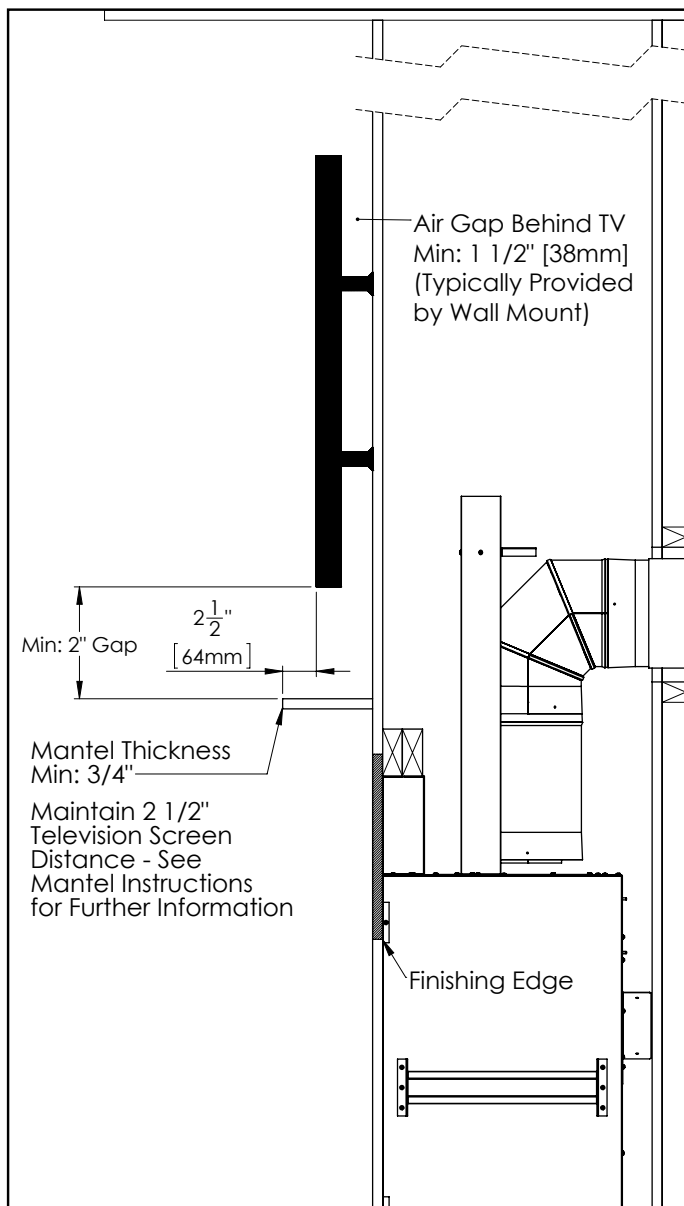


Figure 28. Minimum TV Install Clearances

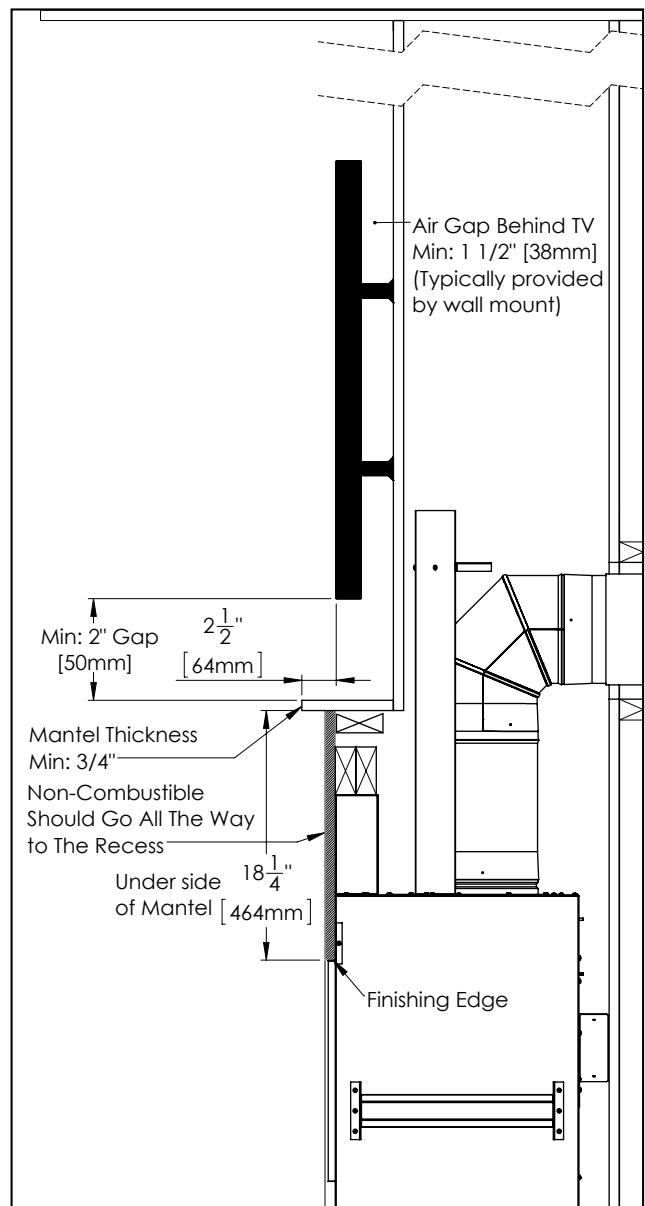


Figure 29. Recess Minimum TV Install Clearances

# INITIAL INSTALLATION

## QUALIFIED INSTALLERS ONLY

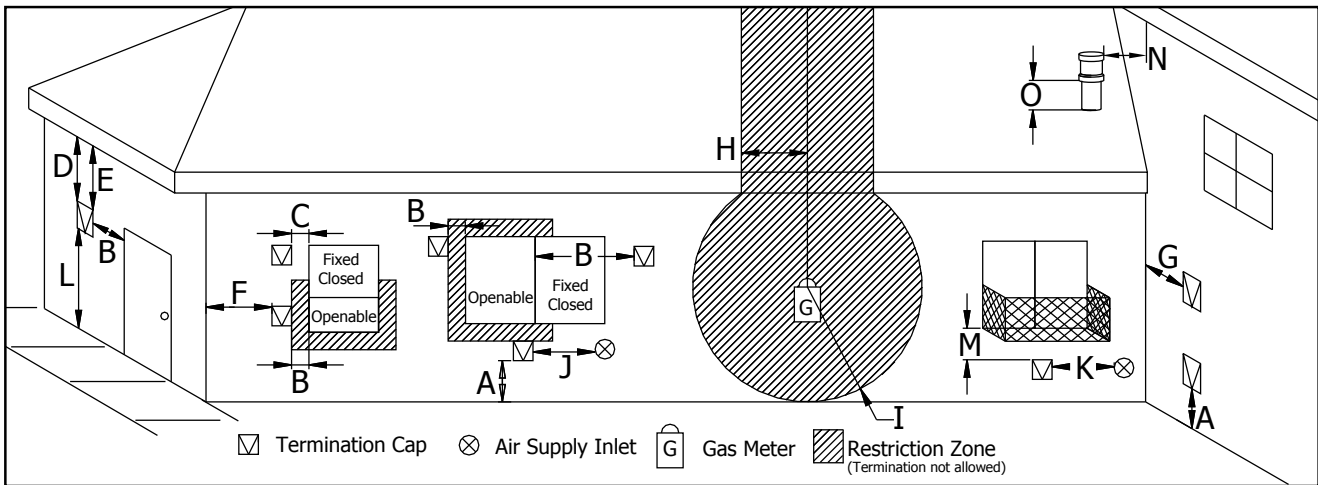
### DIRECT VENT:

**WARNING: This appliance has been designed to draw room air and discharge heated air from the openings around the finishing edge. Blocking or modifying these openings in any way can create hazardous situations. Only Approved Direct Vent may be used for installation of the C44.**

The minimum vent installation for the C44 must include a **12" vertical section and 90° elbow before being horizontally vented. Maximum Vertical venting is 40' (12.2 m)**. This model is vented with co-axial **5"** exhaust, **8"** intake aluminum or stainless steel approved rigid vent leading into a vertical or horizontal termination cap. The flue collar of this model will fit inside of a standard **5"x 8"** vent and must be either correctly interlocked or fastened, with three screws directly to the vent collar.

Check periodically that the vents are unrestricted. Also ensure that all direct vent pipes have been properly sealed and installed after routine inspection or cleaning. The air intake and exhaust pipes must be installed in the correct locations on the top of the C44.

### VENT TERMINATION RESTRICTIONS:



**Figure 30. Vent Termination Restrictions, refer to Table 3**

**Table 3: Vent Termination Clearances**

| Letter | Canadian Installation <sup>1</sup>   | US Installation <sup>2</sup>  | Description  |
|--------|--|---|--|
| A      | 12 in (30 cm)  |   | Clearance above grade, verandah, porch, deck, or balcony.  |
| B      | 12 in (30 cm)  | 9 in (23 cm)  | Clearance from window or door that may be opened.  |
| C      | 12 in (30 cm)*   |   | Clearance from permanently closed window (to prevent condensation).  |
| D      | 24 in (60 cm)*   |   | Vertical clearance to ventilated soffit located above the terminal, within a horizontal distance of 2 ft (60 cm) from center line of terminal. |
| E      | 18 in (45 cm)*   |   | Clearance to unventilated soffit.  |
| F      | 12 in (30 cm)*   |   | Clearance to outside corner.   |
| G      | 12 in (30 cm)*   |   | Clearance to inside corner.  |
| H      | 3 ft (91 cm) within a height of 15 ft (4.5 m) above the meter/regulator assembly | 3 ft (91 cm) within a height of 15 ft (4.5 m) above the meter/regulator assembly* | Clearance to each side of center line extended above meter/regulator assembly.   |
| I      | 3 ft (91 cm)   |   | Radial clearance around service regulator vent outlet.   |

# INITIAL INSTALLATION

## QUALIFIED INSTALLERS ONLY

|   |                            |   |   |
|---|----------------------------|---|---|
| J | 12 in (30 cm)              | 9 in (23 cm)  | Clearance to non-mechanical air supply inlet to building, or the combustion air inlet to any other appliance. |
| K | 6 ft (1.83 m)              | 3 ft (91 cm) above if within 10 ft (3 m) horizontally | Clearance to mechanical air supply inlet.   |
| L | 7 ft (2.13 m) <sup>t</sup> | 7 ft (2.13 m) <sup>*t</sup>                           | Clearance above paved sidewalk or paved driveway located on public property.                                  |
| M | 12 in / 30 cm <sup>+</sup> | 12 in / 30 cm <sup>*+</sup>                           | Clearance under verandah, porch, deck, or balcony.  |
| N | 12 in (30 cm) <sup>*</sup> |   | Clearance horizontally to any surface (such as an exterior wall) for vertical terminations.                   |
| O | 12 in (30 cm)              |   | Clearance above roof line for vertical terminations.  |

<sup>1</sup> In accordance with the current CSA B149.1, Natural Gas and Propane Installation Code.

<sup>2</sup> In accordance with the current ANSI Z223.1 NFPA 54, National Fuel Gas Code.

\* These numbers are only estimates.

<sup>t</sup> A vent shall not terminate directly above a side walk or paved driveway that is located between two single family dwellings and it serves both dwellings.

<sup>+</sup> Permitted only if verandah, porch, deck, or balcony is fully open on a minimum of two sides beneath the floor.

**Clearances are in accordance with local installation codes and the requirements of the gas supplier.**

**NOTE: Venting terminals shall not be recessed into walls or siding.**

### VENTING CLEARANCES:

A **1" (25 mm)** clearance to combustibles must be maintained around any vertical vent pipe. Around a horizontal vent pipe, the clearance to combustibles should be **2" (51 mm)** above and **1½" (38 mm)** on the sides and bottom. When combustible materials are directly above a 90° elbow, **3" (76 mm)** of clearance are necessary.

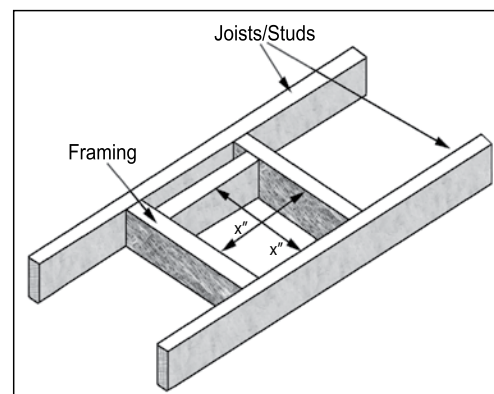
**Table 4. Vent Pipe Minimum Clearances**

|           | Vertical Pipe to the Side Walls | Horizontal Pipe to the Sides & Bottom | Above an Elbow Above the Unit | Above an Elbow Not Above the Unit | Above Horizontal Vent Pipe | Wall Frame 8" (203mm) or less |
|-----------|---------------------------------|---------------------------------------|-------------------------------|-----------------------------------|----------------------------|-------------------------------|
| Hard Pipe | 1" (25.4 mm)                    | 1" (25.4 mm)                          | 3" (76.2 mm)                  | 3" (76.2 mm)                      | 2" (51 mm)                 | Thimble Specific              |

See certified thimbles in venting section and frame accordingly (see Figure 31) will assure the proper support and spacing for the vent pipe as it passes through the wall. Installations in Canada require that a wall thimble be used for passing through walls and ceilings. All sealing and vapour barriers must comply with local building codes.

The configuration of the venting pipes depends on the locations of walls, ceilings, and studs. However, the pipes cannot be of arbitrary length and arrangement. Because the length of the vertical and horizontal sections dramatically affects the burning efficiency of the fireplace, certain guidelines have been set in INITIAL INSTALLATION - ALLOWABLE CO-AXIAL VENT CONFIGURATIONS. Venting terminals can not be recessed into a wall or siding.

**WARNING: This gas appliance must be direct vented and can't be connected to a chimney flue serving a separate solid-burning appliances.**



**Figure 31. Vent Framing For Wall or Ceiling**

# INITIAL INSTALLATION

## QUALIFIED INSTALLERS ONLY

### APPROVED VENTING PARTS:

Table 5: Approved Vent Manufacturers

| Manufacturer  | Trade Name      | Nominal Sizes |
|---------------|-----------------|---------------|
| ICC           | EXCELDirect     | 5" - 8"       |
| M&G Dura-Vent | Direct Vent Pro | 5" - 8"       |

The C44 fireplace has been tested and certified for use with M&G DuraVent DirectVent Pro and ICC EXCELDirect venting systems. Refer to the table below for part numbers of commonly used parts for both venting systems. For more venting parts please visit the respective manufacturers' website.

**WARNING: Do not mix parts from different vent manufacturers' systems.**

**EXCEPTION TO WARNING:** This product has been evaluated by Intertek for using a DirectVent Pro starting collar in conjunction with EXCELDirect venting systems. Use of this system with the DirectVent Pro starting collar is deemed acceptable and does not affect the Intertek listing of the appliance.

Table 6: Vent part numbers (Must state if galvanized or black wanted, PART NUMBERS)

| Direct Vent Pro     | EXCELDirect | Description                        |
|---------------------|-------------|------------------------------------|
| 58DVA-06            | 5DL6        | 6" pipe length                     |
| 58DVA-09            | 5DL9        | 9" pipe length                     |
| 58DVA-12            | 5DL1        | 12" pipe length                    |
| 58DVA-18            |             | 18" pipe length                    |
| 58DVA-24            | 5DL2        | 24" pipe length                    |
| 58DVA-36            | 5DL3        | 36" pipe length                    |
| 58DVA-48            | 5DL4        | 48" pipe length                    |
| 58DVA-60            |             | 60" pipe length                    |
| 58DVA-E30           |             | 30° elbow, black                   |
| 58DVA-E45           | 5DE45       | 45° elbow, black                   |
| 58DVA-E90           | 5DE90       | 90° elbow, black                   |
| 58DVA-VSS, DVA-BVS  | VSS         | Vinyl siding standoff/sheild       |
| 58DVA-WT, 58DVA-WTU | 5WT         | Wall thimble                       |
| 58DVA-SC            | SQSC, SC    | Storm collar                       |
| 58DVA-WFS           |             | Wall Fire stop                     |
| 58DVA-FS            | 5CS         | Ceiling Fire stop                  |
| 58DVA-IS            | 5AS         | Attic Insulation Shield            |
| 58DVA-WS            | 5WS         | Wall strap/support/band            |
| 58DVA-VCH           | 5SVT        | High wind vertical termination     |
| 58DVA-17TA          |             | 11" to 17" pipe, adjustable        |
| 58DVA-24TA          |             | 17" to 24" pipe, adjustable        |
|                     | 5DLA30      | 16.5" to 29" pipe , adjustable     |
|                     | 5DLS1       | 1 7/8" to 9" slip length pipe      |
|                     | 5DLS2       | 1 7/8" to 21" slip length pipe     |
| 58DVA-F6            | 6EFA        | Flashing, 0/12 to 6/12 roof pitch  |
| 58DVA-F12           | 6EFB        | Flashing, 7/12 to 12/12 roof pitch |
| 58DVA-FF            | 6EF         | Flat Roof Flashings                |
| 58DVA-CFK           | 4MF         | Masonry Flashing                   |

# INITIAL INSTALLATION

## QUALIFIED INSTALLERS ONLY

### ALLOWABLE CO-AXIAL VENT CONFIGURATIONS:

Figure 32 shows the range of venting options using either vertical or horizontal terminations; any layout that remains within the shaded area is acceptable. Having the fewest number of elbows is ideal as they tend to restrict air movement. The total length of horizontal vent pipe can not exceed 20 feet (6.1m)

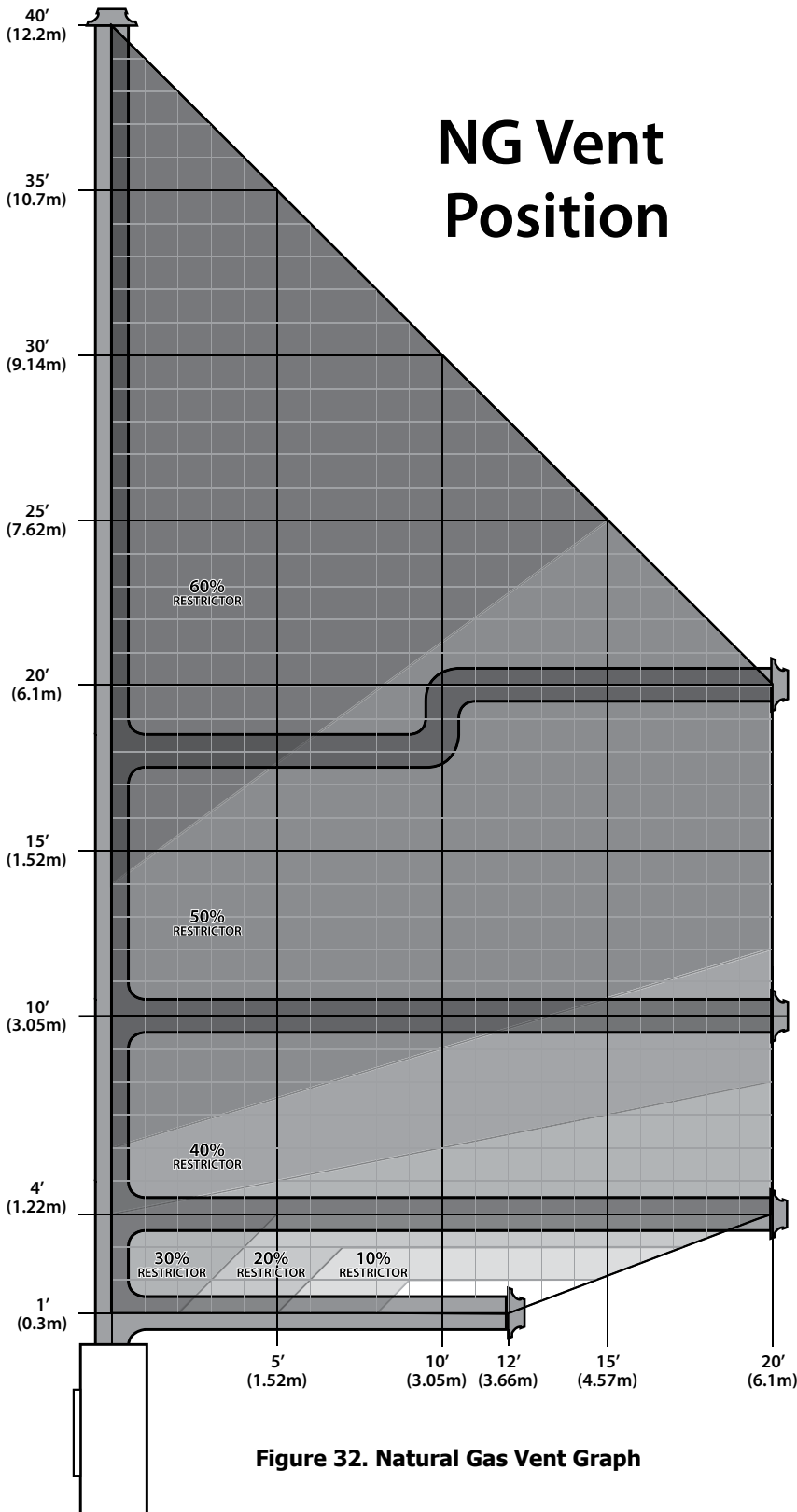


Figure 32. Natural Gas Vent Graph

and the total vent length can not exceed 40ft (12.2m). Any combination of rise and run can be used as long as it lays within the shaded area (a total of two (2) 90° elbows or four (4) 45° elbows can be used. In addition to what is shown, if a 90° elbow is used in the horizontal plane, 3 feet (91.4cm) must be subtracted from the allowable horizontal run (for each 45° elbow, 1½ feet (45.7cm) must be subtracted).

**Note:** The unit will come with 6 restrictor rings. One of these rings may be needed depending on the vent configuration. This must be installed in order to achieve proper efficiency and flame appearance.

**Flame Appearance:** Pin point on the graph where your vent configuration will lay. Remember to consider elbows in the HORIZONTAL plane account for horizontal distance as stated above. Use the corresponding exhaust restrictor according to the graph. See the following section in this manual for installation details. Your climate and altitude may alter what restrictor is required for your particular application.

If your flame is low, flickery, and more blue then increase the restrictor one size. If your flame is tall, thin, and lazy then decrease the restrictor one size. Use your judgement after the unit has been running for about 20 minutes.

**Caution:** Wait until the unit has completely cooled before changing the restrictor.

# INITIAL INSTALLATION

## QUALIFIED INSTALLERS ONLY

### LP Vent Position

If your C44 has been converted to LP using 50-3268 conversion kit use this venting diagram.

**Flame Appearance:** Pin point on the map where your vent configuration will lay. Remember to consider elbows in the HORIZONTAL plane account for horizontal distance as stated on the previous page. Use the corresponding exhaust restrictor according to the graph. See the following section in this manual for installation details. Your climate and altitude may alter what restrictor is required for your particular application.

If your flame is low, flickery, and more blue then increase the restrictor one size. If your flame is tall, thin, and lazy then decrease the restrictor one size. Use your judgement after the unit has been running for about 20 minutes. If your having difficulty achieving a healthy flame with LP then try opening the air shutter completely.

**Caution:** Wait until the unit has completely cooled before changing the restrictor.

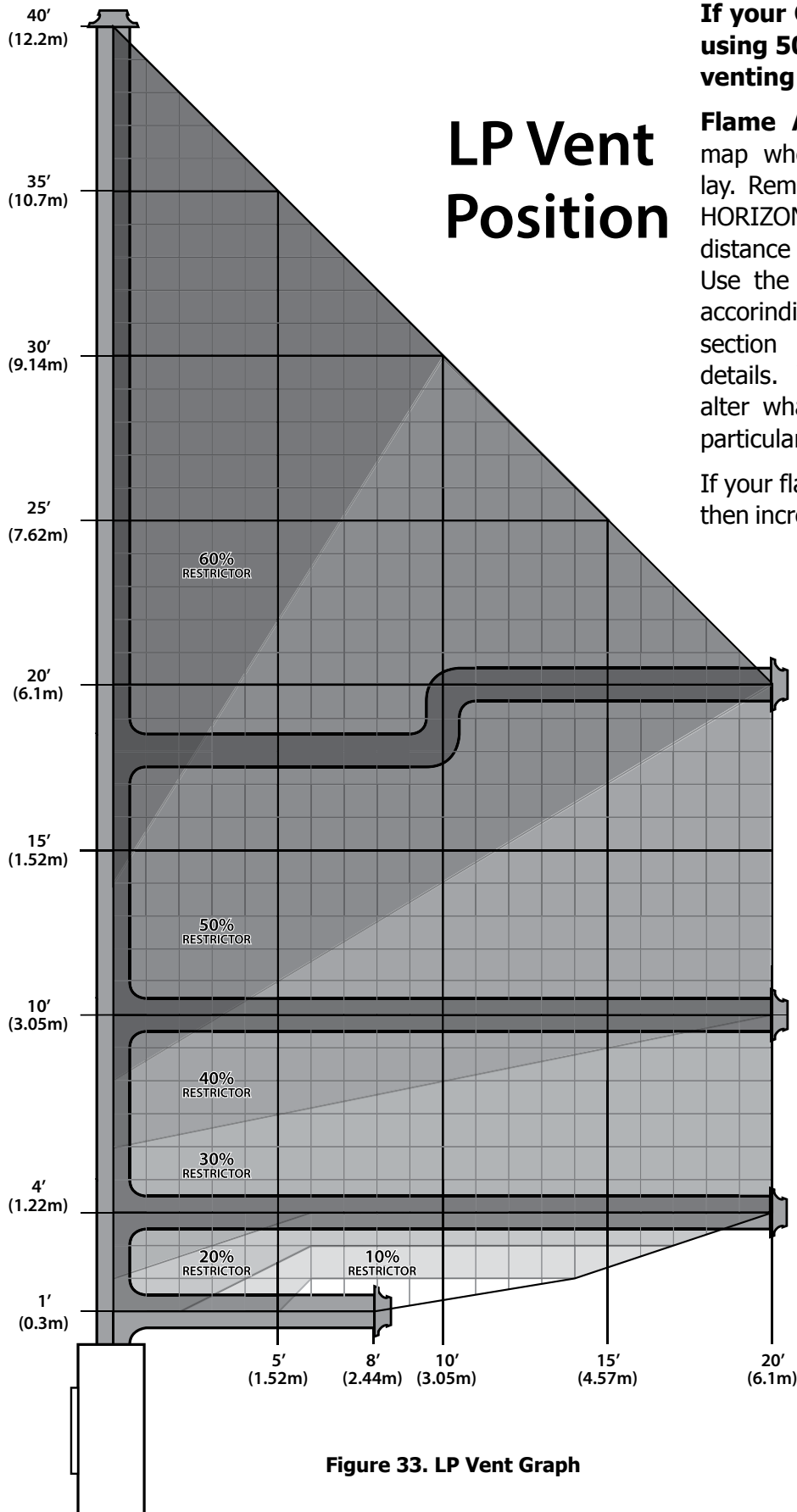


Figure 33. LP Vent Graph

# INITIAL INSTALLATION

## QUALIFIED INSTALLERS ONLY

### EXHAUST RESTRICTOR SETTING:

When installing the C44 it may be necessary to add a restrictor in the firebox to control the combustion and flame appearance. The exhaust restrictor ring kit is included in the manual bag, to install the exhaust restrictor the safety screen assembly and glass door must be removed, see the Maintenance and Service section. There are six different restrictor sizes, make sure you install the correct size. See Figure 32 & 33 for possible vent configurations and the corresponding restrictor setting. Proper Install is crucial to a efficient fireplace burn and the best possible looking flame.

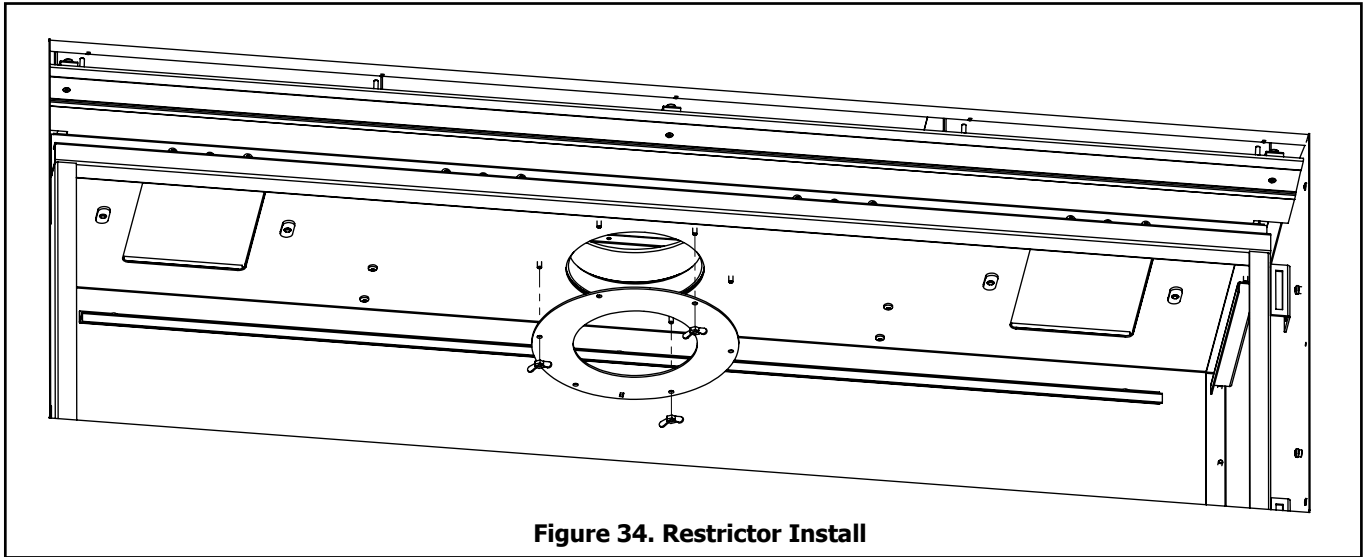


Figure 34. Restrictor Install

**NOTE:** There are six different restrictor sizes, they are marked with rectangular holes which coincide with the percentage of restriction (Figure 35).

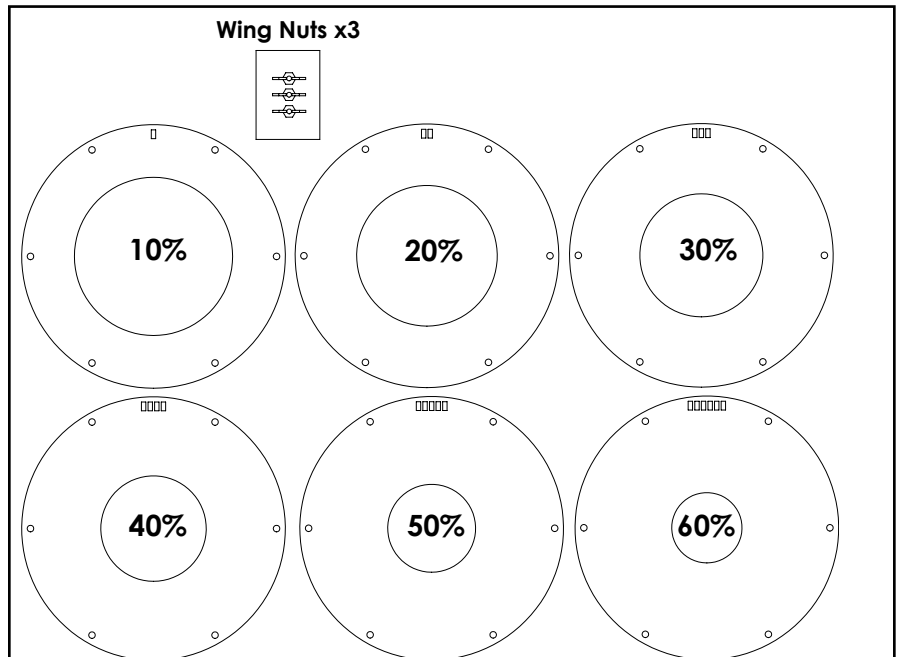


Figure 35. Restrictor Ring Kit

# INITIAL INSTALLATION

## QUALIFIED INSTALLERS ONLY

### HORIZONTAL TERMINATION:

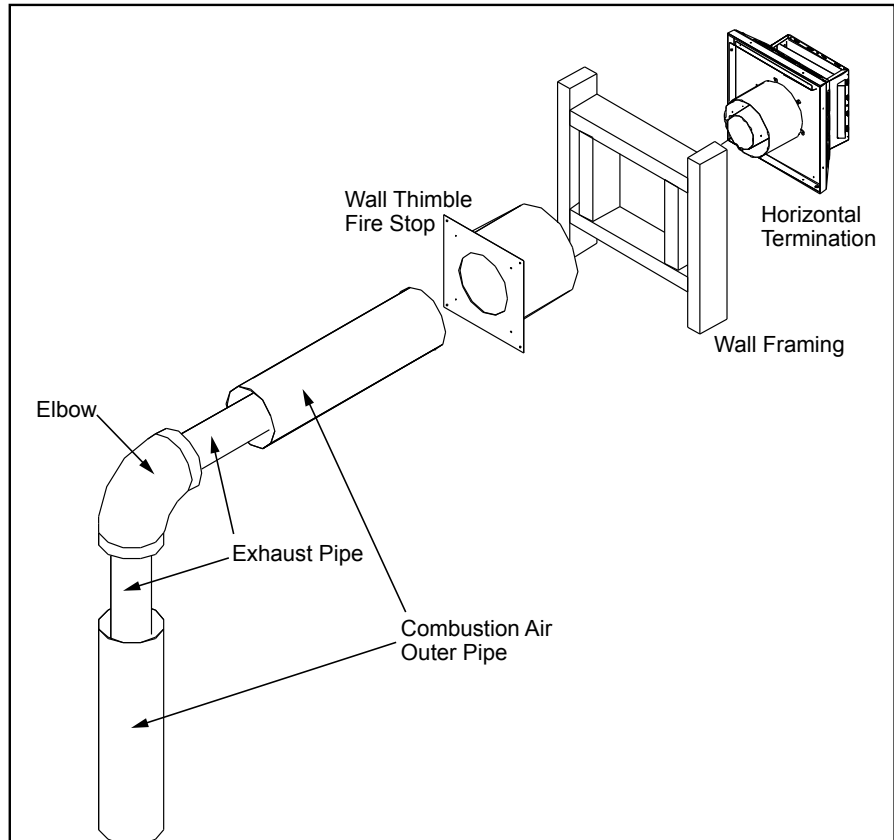
**1. A MINIMUM OF 12" [305mm] VERTICAL RISE PLUS AN ELBOW IS REQUIRED WHEN HORIZONTALLY TERMINATING WITH AN APPROVED VENT CAP.**

**2. Horizontal pipes must not be level. For every 12" (305 mm) of horizontal travel (away from the stove), there should be at least 1/4" (6.4 mm) of vertical rise. Never allow the vent to run downward, as this could cause high temperatures or even present the possibility of a fire.**

3. The exterior of the horizontal vent termination must not be blocked or obstructed.

4. If the vent termination is not being attached to wood, the four wood screws provided should be replaced with material appropriate fasteners.

5. For buildings with vinyl siding, a vinyl standoff should be installed between the vent cap and the exterior wall. Attach the vinyl siding standoff to the horizontal termination. Note that the termination bolts onto the flat portion of the standoff, providing an air space between the wall and the vent termination. The air gap prevents excessive heat from possibly melting the vinyl siding.



**Figure 36. Horizontal Vent Termination**

6. Horizontal pipes must be supported every **3' (914 mm)**. Plumber's all round strap will suffice.

7. When running horizontal pipe, clearances to combustibles must be maintained **1 inches (25 mm)** sides, **1 inches (25 mm)** bottom, **2" (51 mm)** top, and **3" (77 mm)** above elbow.

**Step 1.** Set the fireplace in the desired location. Check to determine if wall studs will be in the way when the venting system is attached. If this is the case, the location of the fireplace may have to be adjusted or the venting may have to be offset.

**Step 2.** Direct vent pipe sections are designed with special twist-lock connections. Dry fit the desired combination of pipe and elbows to the appliance adaptor.

**Step 3.** With the pipe in the correct position and attached to the fireplace, mark the wall for a hole as directed by specified wall thimble dimensions. Cut and frame the hole in the exterior wall where the vent will be terminated. If the wall being penetrated is made of a non-combustible material (i.e. masonry or concrete) a **8 1/2" (21.6 cm)** hole is acceptable.



# INITIAL INSTALLATION

## QUALIFIED INSTALLERS ONLY

- Step 4.** With the hole now framed, the wall thimble installed, and the pipe extending into the wall, proceed to the outside. The vent pipe must extend into the vent cap at least **1¼ inches (3.2 cm)**. Secure the connection between the vent cap and the pipe by attaching the two (2) sheet metal straps, which extend from the vent cap assembly to the outer wall of the vent pipe. Bend any remaining portion of the strap back towards the vent cap. Security Secure Vent uses a twist lock cap.
- Step 5.** Position the horizontal vent termination in the center of the **10" (25.4 cm)** square hole and attach to the exterior wall with the four screws provided. The arrow on the vent termination should be pointing up. Run a bead of non-hardening mastic around the edges of the vent cap, to make a seal with the wall. Ensure the proper clearances to combustibles have been maintained.

### VERTICAL TERMINATION:

- Step 1.** Check the instructions for required clearances (air spaces) to combustibles when passing through ceilings, walls, roofs, enclosures, attic rafters, or other nearby combustible surfaces. Do not pack air spaces with insulation.
- Step 2.** Set the gas appliance in the desired location. Drop a plumb bob down from the ceiling to the position of the appliance flue exit, and mark the location where the vent will penetrate the ceiling. Drill a small hole at this point. Next, drop a plumb bob from the roof to the hole previously drilled in the ceiling, mark the spot where the vent will penetrate the roof. Determine if ceiling joists, roof rafters, or other framing will obstruct the venting system. You may wish to relocate the appliance, or to offset, to avoid cutting load bearing members.
- Step 3.** To install the Round Support Box/Wall Thimble in a flat ceiling, cut a **10" (25.4 cm)** square hole in the ceiling, centered in the hole drilled in Step 2. Frame the hole as shown in Figure 37.
- Step 4.** Assemble the desired lengths of black pipe and elbows necessary to reach from the appliance adapter up through the Round Support Box. Insure that all pipe and elbow connections are in their fully twist-locked position.

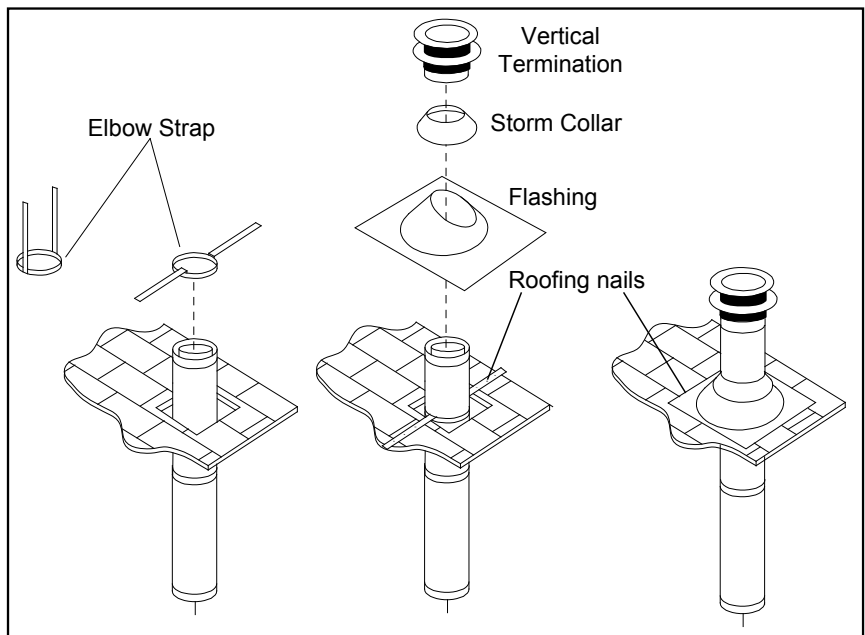
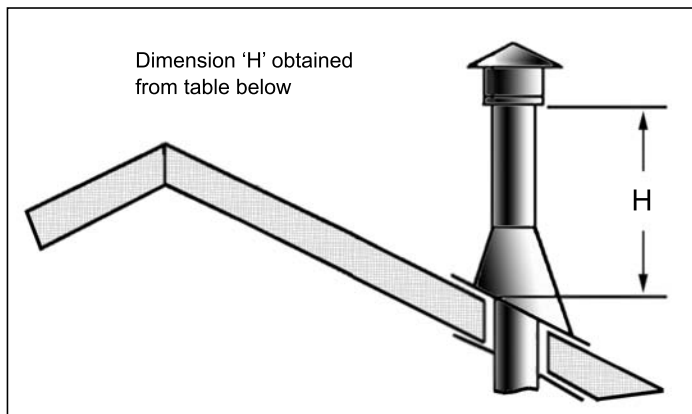


Figure 37. Vertical Vent Termination

# INITIAL INSTALLATION

## QUALIFIED INSTALLERS ONLY

- Step 5.** Cut hole in the roof centered on the small hole placed in the roof from Step 2. The hole should be of sufficient size to meet minimum requirements for Clearance to Combustibles, as specified. Continue to assemble lengths of pipe and elbows necessary to reach from the ceiling support box up through the roof line. Galvanized pipe and elbows may be utilized in the attic, as well as above the roof line. The galvanized finish is desirable above the roof line, due to the higher corrosion resistance.
- Step 6.** Once the pipe sections have been joined, and run up through the hole in the roof, slip an elbow strap over the exposed sections, bend the support straps outwards, and push the elbow strap down to the roof level, as shown in Figure 37. Tighten the clamp around the pipe section. Use a level to make sure the pipe is truly vertical. With roofing nails, secure the support straps to the roof. Seal the nails holes heads with non-hardening mastic. Trim the excess length of the support straps that extend out beyond the edge of the flashing.
- Step 7.** Slip the flashing over the pipe section protruding through the roof. Secure the base of the flashing to the roof with roofing nails. Use a non-hardening sealant between the uphill edge of the flashing and the roof. Insure the roofing material overlaps the top edge of the flashing. Verify that you have at least the minimum clearance to combustibles at the roof line.
- Step 8.** Continue to add pipe sections until the height of the vent cap meets the minimum code requirements. Refer to Figure 38 and Table 7. Note that for steep roof pitches, the vent height must be increased. In high wind conditions, nearby trees, adjoining roof lines, steep pitched roofs, and other similar factors can result in poor draft, or down drafting. In these cases, increasing the vent height may solve the problem.
- Step 9.** Slip the storm collar over the pipe, and push it down to the top of the roof flashing as shown in Figure 37. Use the non-hardening sealant around the joint between the pipe and the storm collar.
- Step 10.** Twist-lock the vent cap.



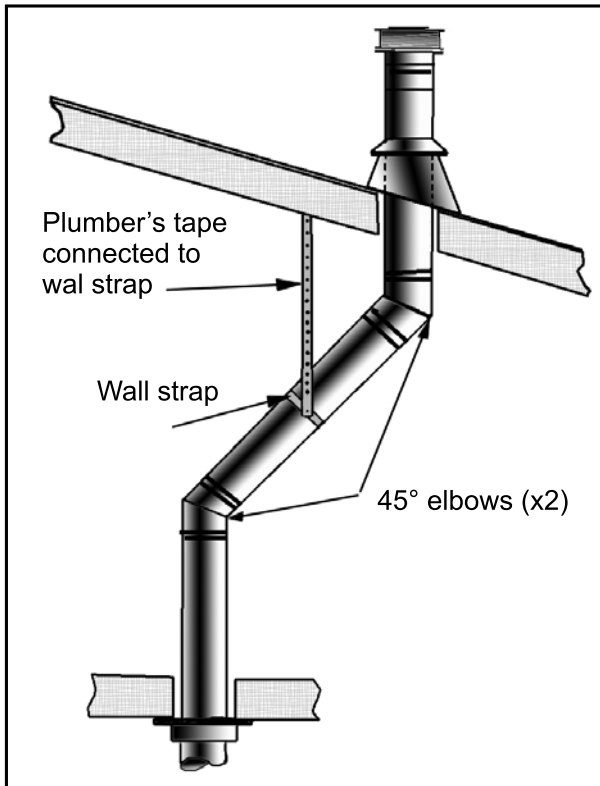
**Figure 38: Height of Vertical Termination;  
Reference Table 7**

**Table 7: Minimum 'H' for Figure 38.**

| Roof Pitch          | Minimum Height (H) |        |
|---------------------|--------------------|--------|
|                     | Feet               | Meters |
| Flat to 7/12        | 1                  | 0.3    |
| Over 7/12 to 8/12   | 1.5                | 0.46   |
| Over 8/12 to 9/12   | 2                  | 0.61   |
| Over 9/12 to 10/12  | 2.5                | 0.76   |
| Over 10/12 to 11/12 | 3.25               | 0.99   |
| Over 11/12 to 12/12 | 4                  | 1.22   |
| Over 12/12 to 14/12 | 5                  | 1.52   |
| Over 14/12 to 16/12 | 6                  | 1.83   |
| Over 16/12 to 18/12 | 7                  | 2.13   |
| Over 18/12 to 20/12 | 7.5                | 2.29   |
| Over 20/12 to 21/12 | 8                  | 2.44   |

# INITIAL INSTALLATION

## QUALIFIED INSTALLERS ONLY

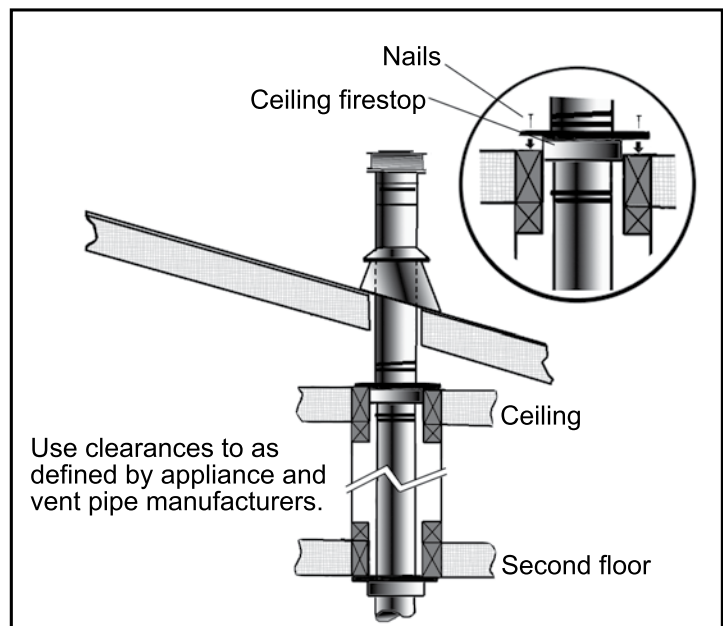


**Figure 39: Use of Wall Straps.**

### NOTES:

- (1) If an offset is necessary in the attic to avoid obstructions, it is important to support the vent pipe every **3' (914 mm)**, to avoid excessive stress on the elbows, and possible separation. Wall straps are available for this purpose (see Figure 39).
- (2) When ever possible, use 45° degree elbows instead of 90° degree elbows. The 45° degree elbow offers less restriction to the flow of flue gases and intake air.
- (3) For multi story installations; a ceiling firestop is required at the second floor, and any subsequent floors (see Figure 40). The opening should be framed to **10" (254 mm) x 10" (254 mm)** inside dimensions, in the same manner as shown in Figure 31.

- (4) Any occupied areas above the first floor, including closets and storage spaces, which the vertical vent passes through, must be enclosed. The enclosure may be framed and sheet-rocked with standard building materials. However consult the appliance manufactures installation instructions for the minimum allowable clearance between the outside of the vent pipe, and the combustible surfaces of the enclosure. Do not fill any required air spaces with insulation.



**Figure 40: Multi-Story Vent Pipe Installation**

# INITIAL INSTALLATION

## QUALIFIED INSTALLERS ONLY

### GAS LINE CONNECTION AND TESTING:

**WARNING:** Only persons licensed to work with gas piping may make the necessary gas connections to this appliance.

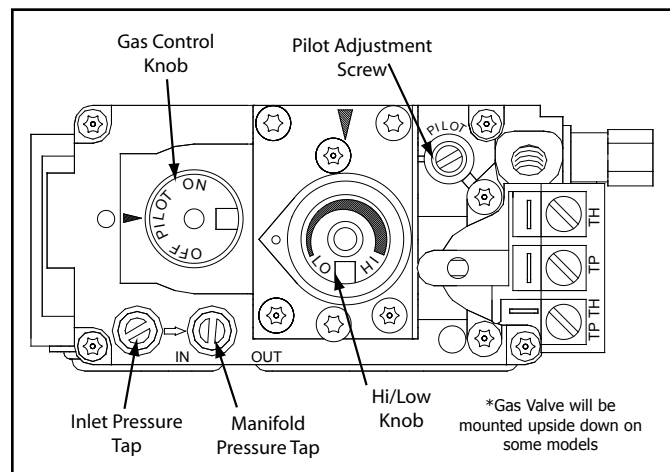
### GAS LINE CONNECTION

- This stove is equipped with a 1/4 NPT male pipe located on the right side of the unit for the gas line connection. Consult your local authorities codes or the CAN/CGA B 149 (1 or 2) installation code in Canada, or in the USA gas installations follow either local codes or the current edition of the National Fuel Gas Code ANSI Z223.1.
- The efficiency rating of this appliance is a product thermal efficiency rating determined under continuous operating conditions and was determined independently of any installed system.

The appliance and its shutoff valves must be disconnected from the gas supply piping system during any pressure testing where the pressure exceeds 1/2 PSIG (3.45 KPa) or damage will occur to the valve.

The appliance must be isolated from the gas supply piping system by closing its individual manual shutoff valve during any pressure testing of the gas supply piping system at test pressures equal to or less than 1/2 psig (3.45 KPa).

**Always check for gas leaks with a soap and water solution after completing the required pressure test.**



**Figure 41: Fully Labeled Gas Valve.**

### TO TEST VALVE PRESSURES

The pressure taps are located on the top right of the valve shown in Figure 41.

- Turn set screw 1 turn counter clockwise to loosen,
- Place 5/16" (8 mm) I.D. hose over pressure tap system.
- Check pressures using a manometer.
- When finished, release pressure, remove hose & tighten set screw.

**Table 8: Pressure and BTU Information**

|                               | Natural Gas               | Propane Gas               |
|-------------------------------|---------------------------|---------------------------|
| <b>Main Orifice</b>           | #32                       | #49                       |
| <b>Manifold Pressure</b>      | 3.5" W.C. (0.87 KPa)      | 10.0" W.C. (2.49 KPa)     |
| <b>Min. Manifold Pressure</b> | 1.6" W.C. (0.40 KPa)      | 6.4" W.C. (1.59 KPa)      |
| <b>Max Supply Pressure</b>    | 7.0" W.C. (1.74 KPa)      | 11.0" W.C. (2.74KPa)      |
| <b>Min. Supply Pressure</b>   | 4.5" W.C. (1.12 KPa)      | 10.4" W.C. (2.59 KPa)     |
| <b>Max BTU/hr Input</b>       | 38,000 BTU/hr (11.14 kWh) | 38,000 BTU/hr (11.14 kWh) |
| <b>Min. BTU/hr Input</b>      | 23,250 BTU/hr (6.81 kWh)  | 29,500 BTU/hr (8.65 kWh)  |

**NEVER USE AN OPEN FLAME FOR LEAK TESTING.**

# INITIAL INSTALLATION

## QUALIFIED INSTALLERS ONLY

This unit will operate without external electrical power. This model has a Millivolt gas control which uses the pilot flame to generate enough electricity to operate the main burner. This appliance when equipped with the Convection Fan Kit or Light Kit must be electrically connected and grounded in accordance with local codes or in the absence of local codes, with the current CSA C22.1 CANADIAN ELECTRICAL CODE Part 1, SAFETY STANDARDS FOR ELECTRICAL INSTALLATIONS, OR THE NATIONAL ELECTRICAL CODE ANSI / NFPA 70 in the U.S.

**CAUTION:** Label all wires prior to disconnection when servicing controls. Wiring errors can cause improper and dangerous operation. Verify proper operation after servicing.

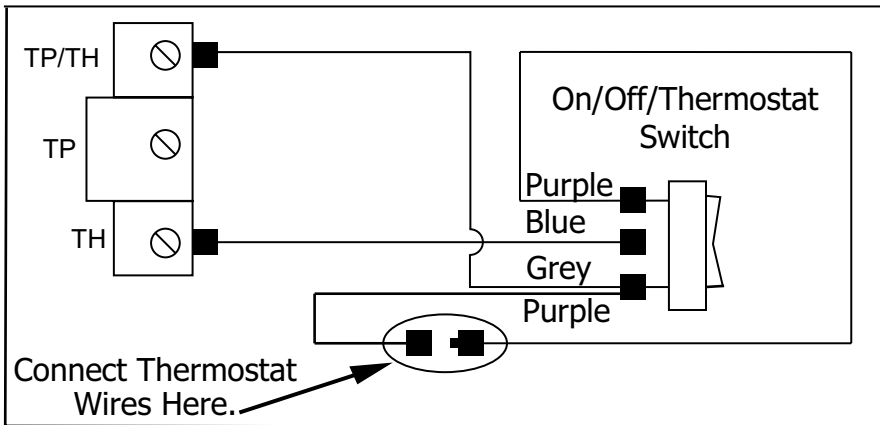


Figure 42: C44 Wiring Diagram

Table 9: Recommended Thermostat Wire Size

| Wire Size | Max. Length      |
|-----------|------------------|
| 14 gauge  | 100 ft (30.48 m) |
| 16 gauge  | 60 ft (18.29 m)  |
| 18 gauge  | 40 ft (12.00 m)  |
| 20 gauge  | 25 ft (7.62 m)   |
| 22 gauge  | 18 ft (5.49 m)   |

**\*This stove must be wired to a wall switch or thermostat for safe and convenient operation\***

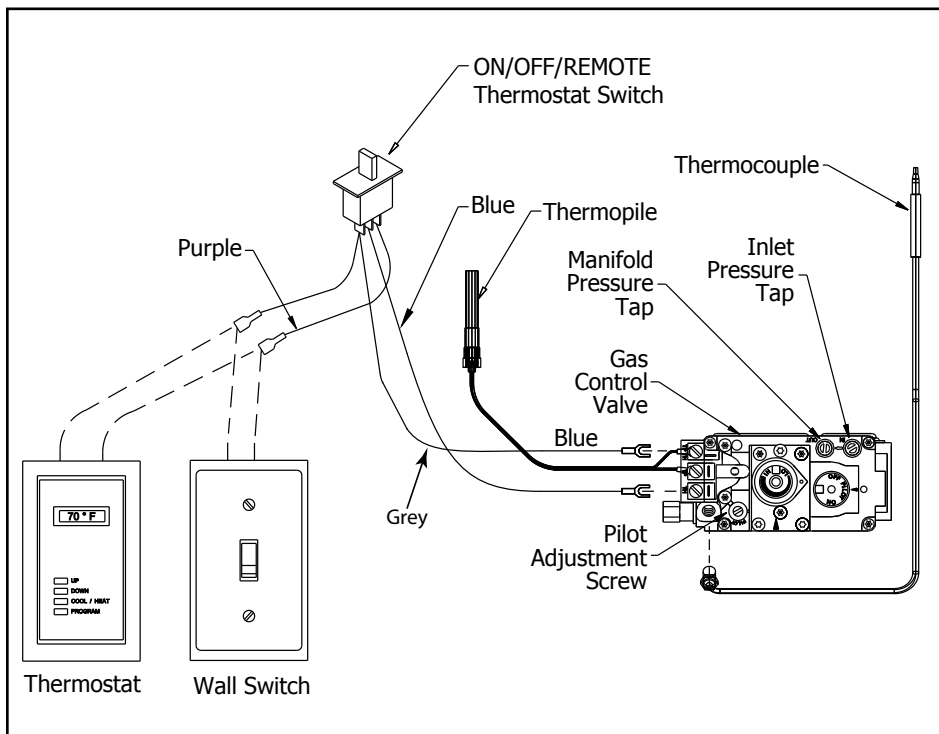


Figure 43: Accessory Wiring

The C44 comes from the manufacture with an on/off switch mounted to the control panel. Access is limited to switch once the unit is hot. **A wall mounted burner switch or thermostat must be used for safety.** See Figure 43 for wiring the switch or thermostat into the unit. Disconnect the connection behind the switch in the control panel as tap into the (2) terminals as shown in Figure 43.

Optional Thermostat (50-583)

Optional Wall Switch (50-559)

# INITIAL INSTALLATION

## QUALIFIED INSTALLERS ONLY

### ELECTRICAL REQUIREMENTS:

If the C44 only needs to be powered if the 50-3212 [Convection Fan Kit] or 50-3211 [Light Kit] options are to be installed with the unit. The stove should be wired if one of these options may be added in the future. If no options are necessary the pilot thermopile will create enough electricity to open and close the gas valve.

**All electrical connections must be made by a certified electrician.**

There is an electrical box located in the cabinet on the left side of the fireplace. Power wire and switch wire connections are to be inside the electrical box. There is a strain relief on the left side of the cabinet to secure the wiring. There are two options for wiring the receptacle inside the stove. Option A is standard receptacle wiring, this would be for the convection fan option. Option B has a switched plug controlled by a wall switch, this is needed for the light kit option. If installing the Light Kit and Fan Kit use the option

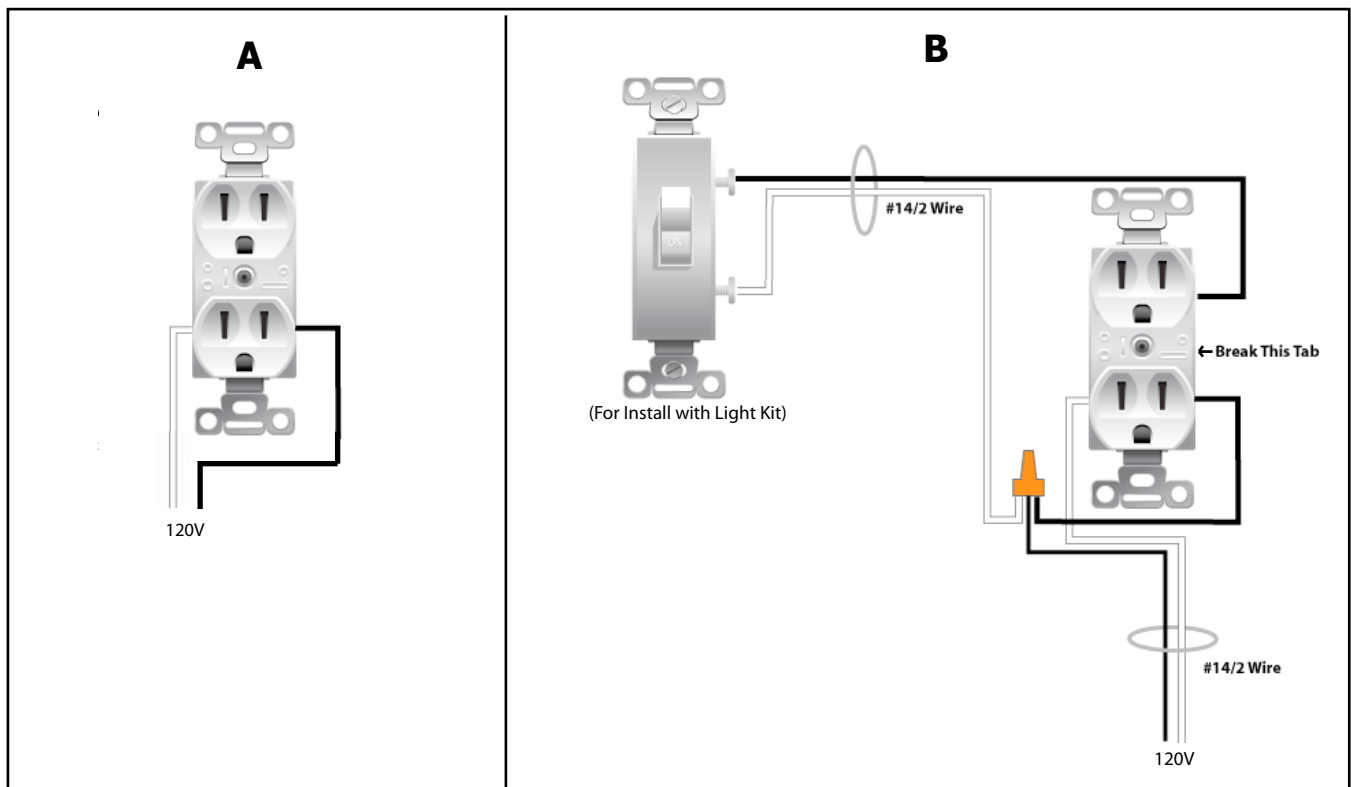


Figure 44: C44 Receptacle Wiring

B wiring.

### C44 Nova Dual Convection Fan Kit (50-3212)

The C44 has an optional convection fan kit that can be installed at anytime as long as power has been connected to the appliance during the installation. The fan will not operate if the appliance is cold. Once the unit has been running a thermostat switch will turn on the fans, set the rheostat to the desired level. The fan will automatically turn off after the appliance has cooled down.

The fireplace must be electrically connected and grounded in accordance with local codes or, in the absence of local codes, with the current CSA C22.1 Canadian Electrical Code Part 1, Safety Standards For Electrical Installations, or The National Electrical Code ANSI / NFPA 70 in the US..

**CAUTION:** When servicing controls, label all wires prior to disconnection. Wiring errors can cause improper and dangerous operation. Verify proper operation after servicing. If any of the original wire supplied with the appliance must be replaced, it must be replaced with 18 AWG wire with a temperature rating of 105°C.

# INITIAL INSTALLATION

QUALIFIED INSTALLERS ONLY

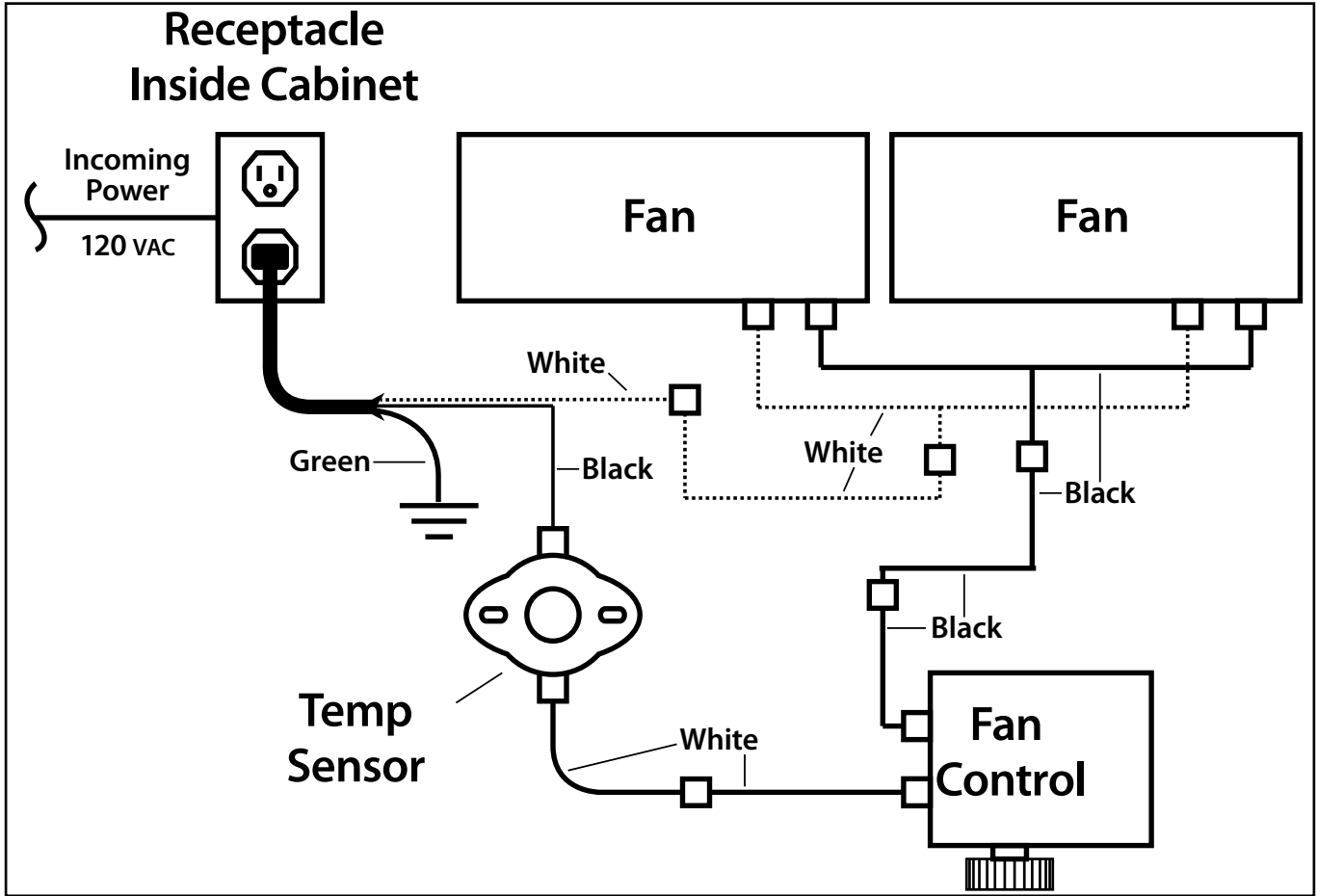


Figure 45: Fan Kit Wiring Diagram

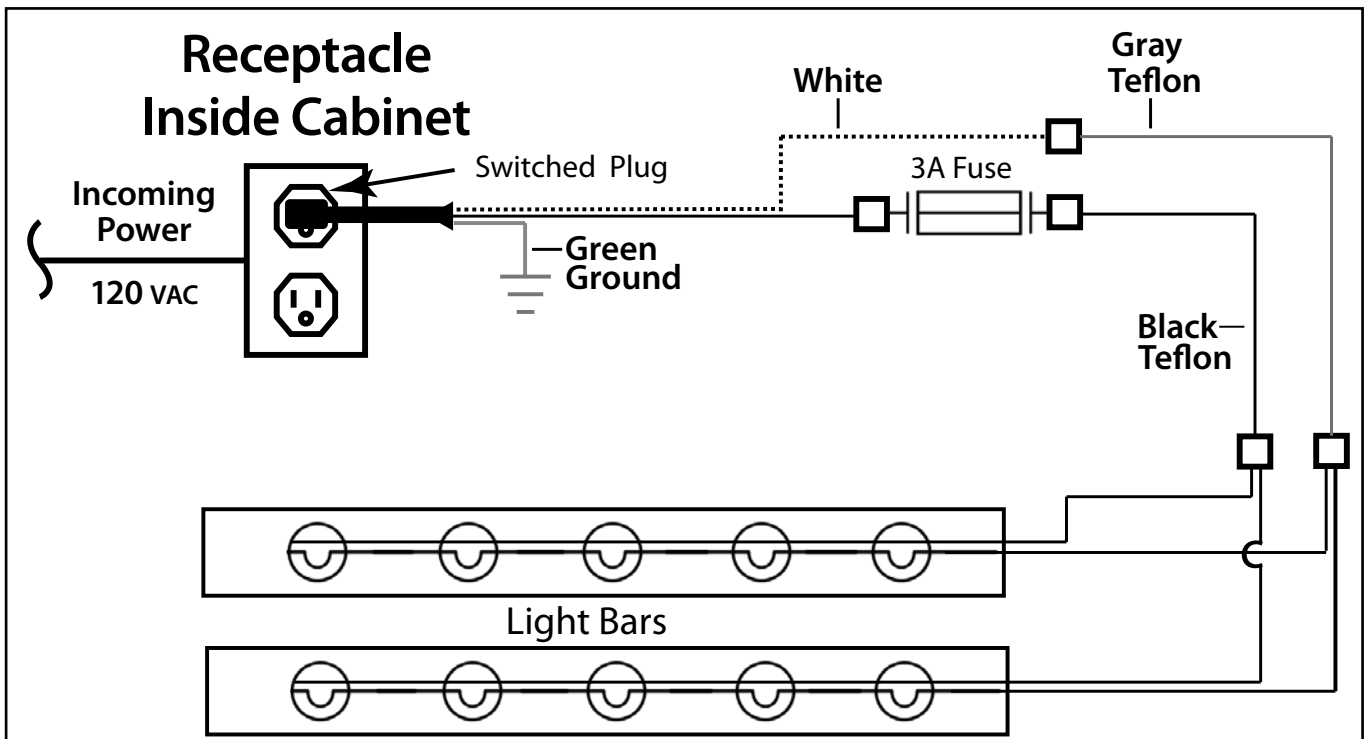


Figure 46: Light Kit Nova Wiring Diagram

# SECONDARY INSTALLATION

## **C44 Light Kit (50-3211)**

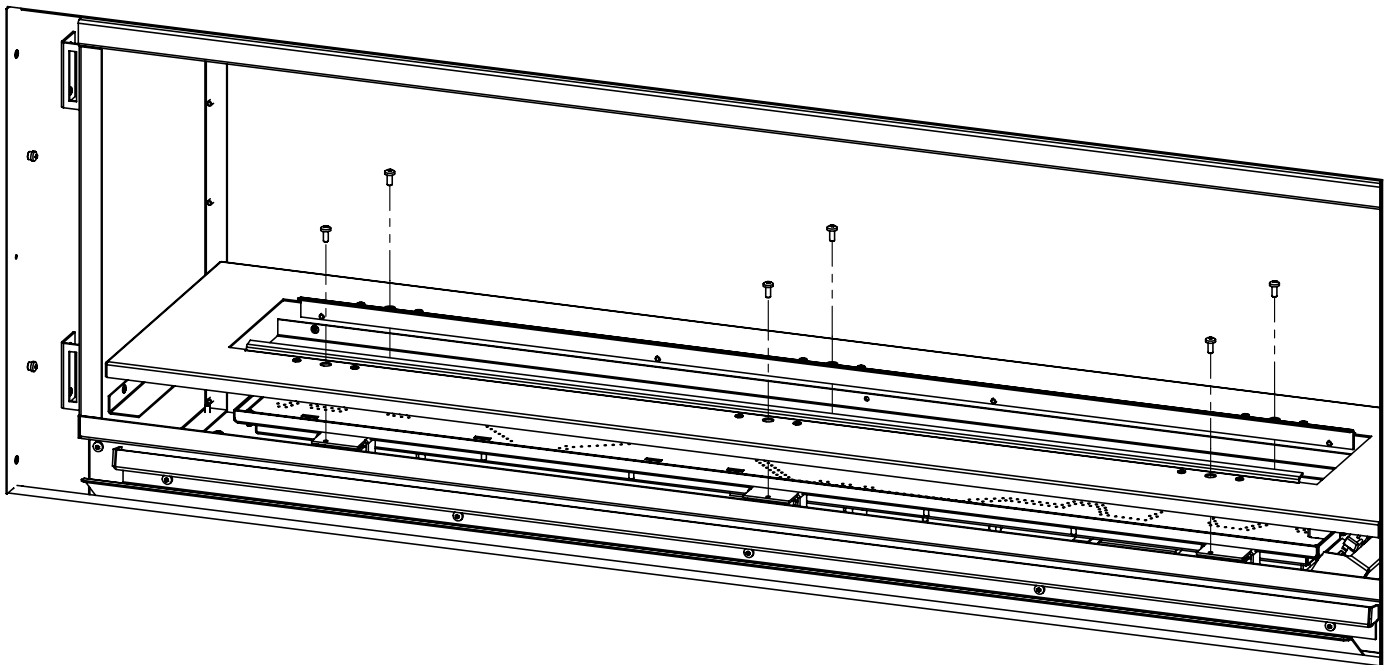
The C44 has an optional light fan kit that requires one side of the inside receptacle to be wired as a switch plug. The switched plug will be controlled by an external wall switch, this should be next to your burner switch or thermostat. In order to use both the Light Kit and Convection Fan Kit the receptacle needs to be wired as shown in figure 44, option B.

The fireplace must be electrically connected and grounded in accordance with local codes or, in the absence of local codes, with the current CSA C22.1 Canadian Electrical Code Part 1, Safety Standards For Electrical Installations, or The National Electrical Code ANSI / NFPA 70 in the US..

**CAUTION:** When servicing controls, label all wires prior to disconnection. Wiring errors can cause improper and dangerous operation. Verify proper operation after servicing. If any of the original wire supplied with the appliance must be replaced, it must be replaced with 18 AWG wire with a temperature rating of 105°C. If the original wire supplied to the light bulbs is damaged you must contact your dealer. This is special high rated oven wire and it must be replaced with the same.

## **BURNER TRAY INSTALLATION:**

There are two styles of burner tray . The standard burner tray is supplied with the unit and used for all media base options with the exception of 50-3211 (Light Kit); the Light Kit includes a perforated burner tray to allow light to come through. Both tray styles are handled the same and removed with 6 screws using a T-20 screwdriver.



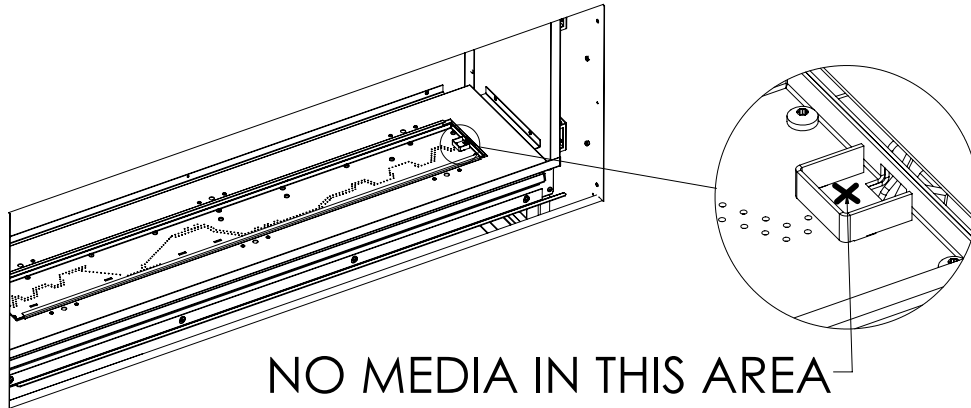
**Figure 47: Burner Tray Install/Removal**



# SECONDARY INSTALLATION

## PANEL AND MEDIA INSTALLATION:

1. Remove the safety screen and glass door
2. If you are installing 50-3211 (Light Kit) Remove the burner tray now using a T-20 Torx screwdriver; refer to SECONDARY INSTALLATION - LIGHT KIT INSTALLATION or see instruction sheet included with the kit. Install perforated burner tray once lights are installed.
3. Place your burner media into the burner pan (vermiculite or glass pebbles). Create a thin layer that evenly covers the entire burner pan; pat it down gently. **WARNING: Be sure there is no media in the protected pilot area of the burner pan.**



NO MEDIA IN THIS AREA

Figure 48: Protected Pilot Area

4. Wear clean vinyl gloves when handling 50-3206 (Fluted) and 50-3207 (Ledgestone) to prevent skin contact with the refractory. Wear clean vinyl gloves when handling 50-3208 (Enameled) to prevent smudging; use denatured alcohol to clean. Unwrap your new Enviro liner set from their protective packaging. Be careful not to scratch or bump then liners as they are fairly fragile. If the liners arrive damaged please contact your nearest Enviro dealer.
5. Remove the 3 liner retainers from inside the firebox using a T-20 Torx screwdriver.

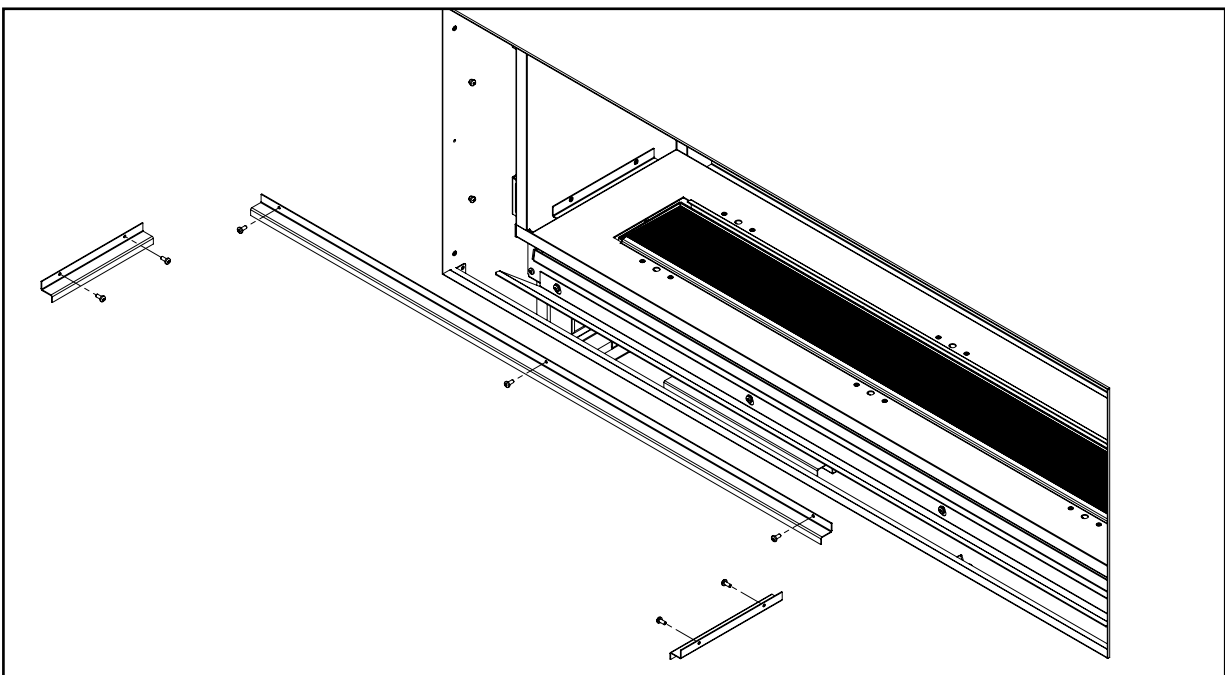


Figure 49: Panel Installation

## SECONDARY INSTALLATION

---

6. Ensure there is nothing on top of the media tray such as glass pebble media or glass bezel. Angle the rear liner into the firebox with finesse. The panel will fit in, dont worry, place one corner in towards the back and rotate inward. Slip it into the channel behind the media tray and install the rear liner retainer.

7. If you have media tray option 50-3214 (Glass Bezel) place the bezel strips around the tray before the side liners are installed. If you are using 50-3213 (pebble bed) or 50-3211 (Light Kit) install tray media after the side liners.

8. Place the side liners into the side channels of the media tray. 50-3207 (Ledgestone) and 50-3208 (Enameled) will be placed in at the bottom and rotated up until seated. 50-3206 (Fluted) will be placed in at the rear and rotated inward until seated. Once seated secure the top with the retainers using a T-20 Torx screwdriver. If using 50-3214 (Glass Bezel) pull the sides in so they butt up with the long strips.



**Figure 50: Glass Bezel with Vermiculite Bed**

9. If you are using 50-3213 (Pebble Bed) or 50-3211 (Light Kit) you may now cover the entire media tray in a thin layer of glass pebbles; one layer is all you need.



**Figure 51: Glass Pebble Bed**

10. You have now successfully installed your panels and media base. You may now arrange your optional 50-3209 (Log Set) or 50-3286 (Rock Set); see instruction sheets for further detail.

11. Re-install the glass door and safety screen.

# SECONDARY INSTALLATION

## LOG SET INSTALLATION:

The placement of the logs is not arbitrary. If they are positioned incorrectly, the flames can be “pinched” and will not burn correctly. Using the pictures provided, carefully set the logs in place. **NOTE: The logs are fragile and should be handled gently.**

1. Position the first log in the back left corner; the log will butt up to both the side and rear panel. Place the second log into the back right corner; the log will butt up to both the side and the rear panel.



2. Position the arched log over top the burner; there should be 3 points of interest to help position this log. Make contact with the left liner, the rear liner, and the firebox edge opening. Next, position the camel toe log against the rear log using the alignment pin. It is important to position the low point of this log on top of the media tray and not in the burner pan.



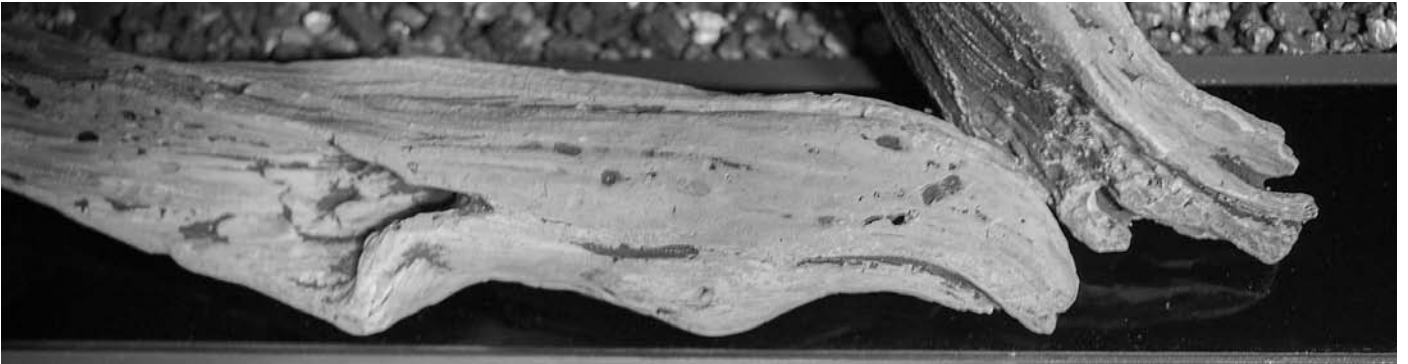
3. Slide the whale shaped log under the arched log aligning the 3 points parallel with the firebox edge as shown. Next, position the diagonal log using the alignment pin the end will butt up to the whale log.



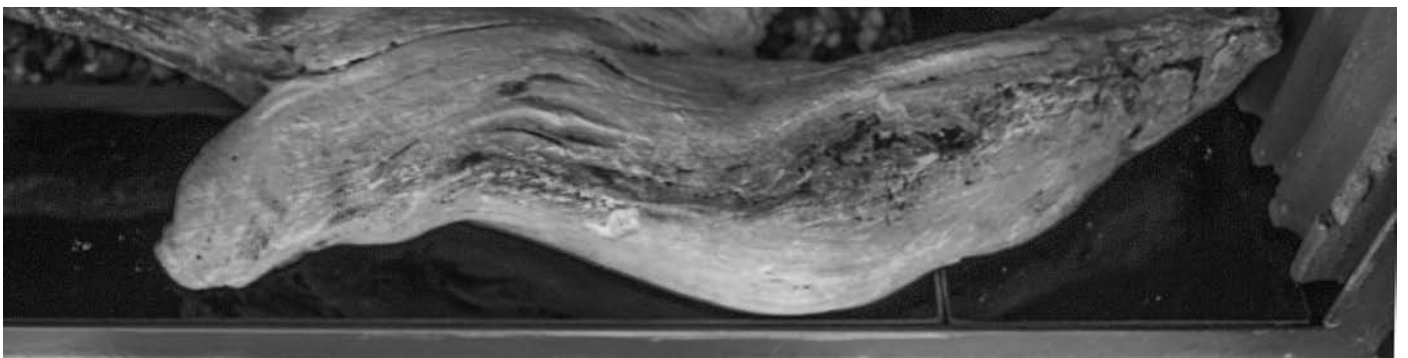
## SECONDARY INSTALLATION

---

4. Logs should be touching as shown.



5. Position the front right log as shown. the end will butt up to the right liner as well as the log in the rear. Align the front right log with the firebox edge as shown below.



6. Position the eighth log as shown below.



# TROUBLESHOOTING

**Table 10: Troubleshooting**

| <b>Problem</b>  | <b>Possible Cause</b>   | <b>Solution</b>  |
|---|---|--|
| The main burner does not ignite when called for.                            | The gas valve may not be on.  | <ul style="list-style-type: none"> <li>• Check that the gas control knob is in the "ON" position.</li> </ul>   |
|   | Thermostat is not calling for heat.   | <ul style="list-style-type: none"> <li>• Adjust the thermostat several degrees above ambient temperature.</li> </ul>   |
|   | Problem with gas valve.   | <ul style="list-style-type: none"> <li>• Use a DC voltmeter to measure the voltage across the TPTH and TP terminals. Main operator voltage: Open circuit <math>\geq 325\text{mV}</math> Closed circuit <math>\geq 100\text{mV}</math></li> <li>• If voltage is not present, check the control circuit for proper operation.</li> <li>• If proper control system voltage is present, replace the gas control.</li> </ul>                    |
| Spark will not light the pilot after repeatedly pressing the spark ignitor. | Defective piezo ignitor.  | <ul style="list-style-type: none"> <li>• Check connections to ignitor.</li> <li>• If ignitor connections are good but no spark, replace ignitor.</li> </ul>  |
|   | Broken spark electrode.   | <ul style="list-style-type: none"> <li>• Check for broken ceramic insulation, replace electrode if broken.</li> </ul>  |
|   | Misaligned spark electrode.   | <ul style="list-style-type: none"> <li>• If spark is not arcing from electrode to pilot, loosen the screws on the pilot base adjust and tighten.</li> </ul>  |
| Pilot will not remain lit.  | Problem with thermocouple circuit.  | <ul style="list-style-type: none"> <li>• Check for proper connection of the thermocouple to the rear of the valve. If loose, fully tighten.</li> <li>• Check pilot for full flame impingement around thermocouple. If flame is too small, check gas pressure, adjust pilot rate screw, check pilot head for damage.</li> <li>• Check thermocouple voltage at valve. It must be greater than 5 mV. If low, replace thermocouple.</li> </ul> |
|   | Air in gas line (pilot dies while knob is depressed).   | <ul style="list-style-type: none"> <li>• Bleed line.</li> <li>• Check gas line pressure.</li> <li>• Contact dealer.</li> </ul>   |
| Burners will not remain lit.  | Problem with thermopile circuit.  | <ul style="list-style-type: none"> <li>• Check gas line pressure .</li> <li>• Check for flame impingement on thermopile. If low, see "Pilot will not remain lit".</li> <li>• Check thermopile for minimum of 300 mV when burner is switched on.</li> <li>• Check wiring to thermostat for breaks.</li> </ul>   |
| Flame lifting   | Leak in vent pipe   | <ul style="list-style-type: none"> <li>• Check for leaks in vent connections.</li> </ul>   |
|   | Improper vent configuration   | <ul style="list-style-type: none"> <li>• Check vent configuration with manual.</li> </ul>  |
|   | Terminal may be recirculating flue gases  | <ul style="list-style-type: none"> <li>• Check to see if terminal is on correctly.</li> <li>• May need to install high wind termination cap.</li> <li>• Contact dealer.</li> </ul>   |
| Glass fogs up   | Normal Condition: after the appliance warms up the glass will clear.<br>**Due to additives in gas, glass may get hazy during operation** Clean as needed. |  |
| Blue Flames   | Normal during start up: flames will yellow as the fireplace heats up.   |  |
| Flames are burning "dirty" or sooting                                       | Flame impingement   | <ul style="list-style-type: none"> <li>• Check log positioning.</li> <li>• Increase primary air by opening the venturi shutter and/ or by opening the vent restrictor.</li> <li>See also "Burners will not remain lit."</li> </ul>   |
| Remote control doesn't work   | Problem with the remote   | <ul style="list-style-type: none"> <li>• One or more of the batteries are dead. See remote control instructions.</li> </ul>  |
|   | Problem with fireplace  | <ul style="list-style-type: none"> <li>• The on/off switch is turned to OFF.</li> <li>• The gas control valve is turned to PILOT or OFF.</li> <li>• The pilot has gone out.</li> </ul>   |

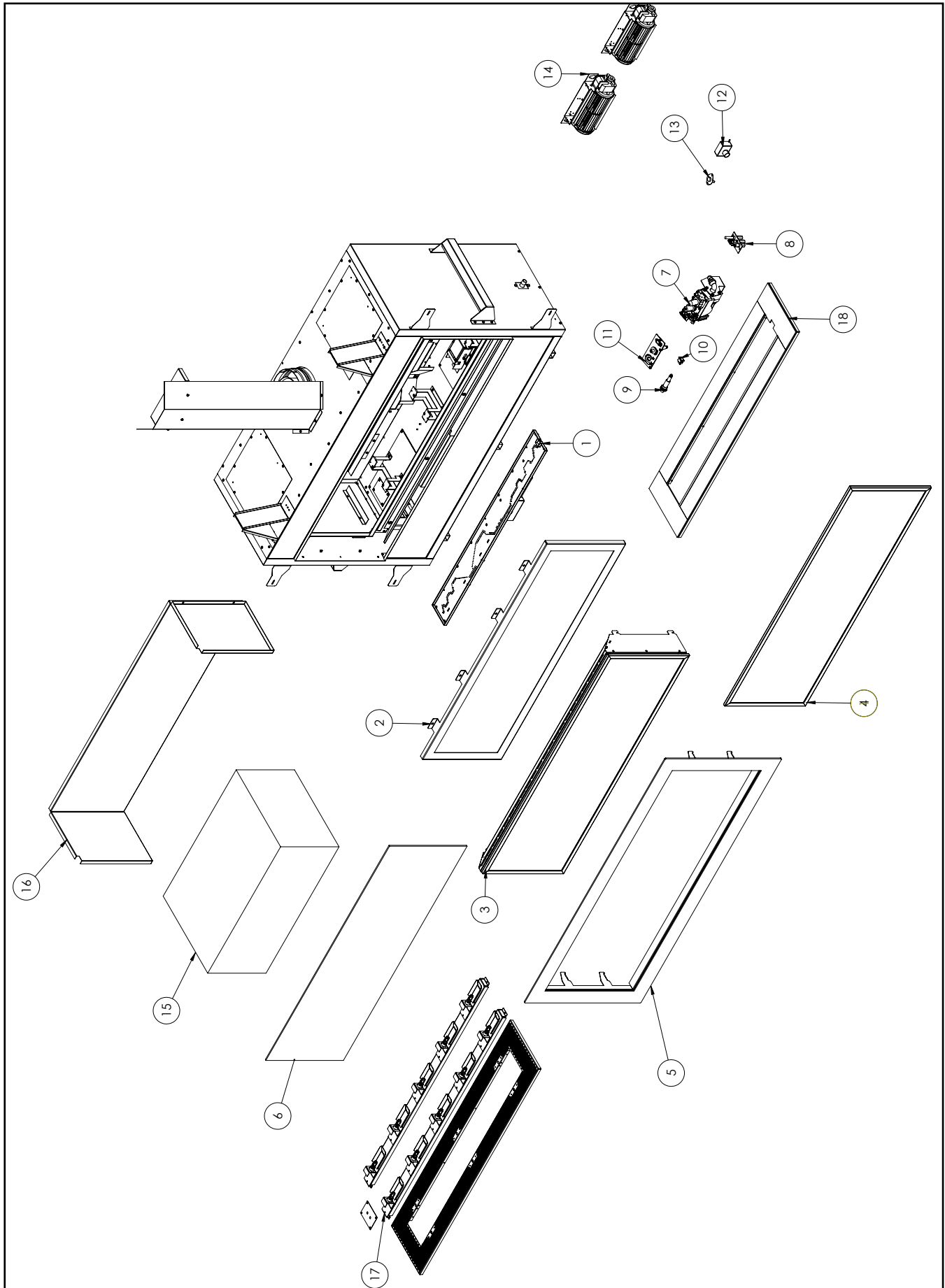
If a particular flame is curving excessively your burner media not be evenly distributed creating an abnormal draft on the flame; position burner media in front of the secondary air slots in the affected area to slow down the draft. You can fine tune the flame this way to ensure healthy flame appearance.

# PARTS LIST

**Table 11: C44 Parts List**

| Reference # | Part Description                                      | Part #  |
|-------------|---|---------|
| 1           | C44 Pan Burner  | 50-3283 |
| 2           | C44 Door Complete                                     | 50-3284 |
| 3           | C44 Safety Screen Complete                            | 50-3290 |
| 4           | C44 Clear View Screen Only                            | 50-3267 |
| 5           | C44 Boarderview Surround Powder Coated (Gray)         | 50-3200 |
| 5           | C44 Boarderview Surround Nickel Plated                | 50-3210 |
| 6           | C44 Door Glass with Gasket                            | 50-3285 |
| 7           | S.I.T. Nova Valve - Convertible                       | 50-1421 |
| 8           | PSE Pilot Assembly - Standing Pilot                   | 50-2513 |
| 9           | S.I.T. Piezo Ignitor                                  | EC-023  |
| 10          | FPI Burner Switch                                     | EC-026  |
| 11          | Control Panel & Decal                                 | 50-2989 |
| 12          | FPI Fan Controller (69.5V) 115V W/FS Knob             | EC-039A |
| 13          | C44 NOVA Dual Convection Fan Kit                      | 50-3212 |
| 14          | 120 Ceramic Fan Temperature Sensor                    | EC-001  |
| 15          | C44 Ultra High Definition Driftwood Log Set           | 50-3209 |
| 16          | C44 Fluted Liners                                     | 50-3206 |
| 16          | C44 Ledgestone Liners                                 | 50-3207 |
| 16          | C44 Porcelain Liners                                  | 50-3208 |
| 17          | C44 Halogen Light Kit                                 | 50-3211 |
| 18          | C44 Tray w/ Glass Bezel (Glass beads and Vermiculite) | 50-3214 |
| -           | C44 High Definition Rock Set                          | 50-3286 |
| -           | C44 Black Glass Beads                                 | 50-3215 |
| -           | C44I LP to NG Fuel Conversion Kit                     | 50-3269 |
| -           | C44I NG to LP Fuel Conversion Kit                     | 50-3268 |
| -           | C44 GLASS BEZEL                                       | 50-3288 |
| -           | C44 VERMICULITE (3 CUPS)                              | 50-3287 |
| -           | Replacement Fuse 3A                                   | 50-3289 |
| -           | 35W Halogen Bulb                                      | 50-3291 |
| -           | C44I Owners Manual                                    | 50-3281 |

# PARTS DIAGRAM



# NOTES

---



# NOTES

---



# Warranty for Enviro Gas Products

Sherwood Industries Ltd. ("Sherwood") hereby warrants, subject to the terms and conditions herein set forth, this product against defects in material and workmanship during the specified warranty period starting from the date of original purchase at retail. In the event of a defect of material or workmanship during the specified warranty period, Sherwood reserves the right to make repairs or to assess the replacement of a defective product at Sherwood's factory. The shipping costs are to be paid by the consumer. All warranties by Sherwood are set forth herein and no claim shall be made against Sherwood on any oral warranty or representation.

## Conditions

- A completed warranty registration must be submitted to Sherwood within 90 days of original purchase via the online warranty registration page or via the mail-in warranty registration card provided. Have the installer fill in the installation data sheet in the back of the manual for warranty and future reference.
- This warranty applies only to the original owner in the original location from date of install.
- The unit must have been properly installed by a qualified technician or installer, and must meet all local and national building code requirements.
- The warranty does not cover removal and re-installation costs.
- Sherwood Industries Ltd. reserves the right to make changes without notice.
- Sherwood Industries Ltd. and its employees or representatives will not assume any damages, either directly or indirectly caused by improper usage, operation, installation, servicing or maintenance of this appliance.
- A proof of original purchase must be provided by you or the dealer including serial number.
- This warranty does not cover any discoloration of the safety screen mesh.

## Exclusions

An expanded list of exclusions is available at [www.enviro.com/help/warranty.html](http://www.enviro.com/help/warranty.html)

This warranty does not cover:

- Damage as a result of improper usage or abuse.
- Damage caused from over-firing due to incorrect setup or tampering.
- Damage caused by incorrect installation.

## To the Dealer

- Provide name, address and telephone number of purchaser and date of purchase.
- Provide date of purchase. Name of installer and dealer. Serial number of the appliance. Nature of complaint, defects or malfunction, description and part # of any parts replaced.
- Pictures or return of damaged or defective product may be required.

## To the Distributor

- Sign and verify that work and information are correct.

### Sherwood Industries Ltd.

6782 Oldfield Road, Victoria, BC . Canada V8M 2A3  
 Online warranty registration: [www.enviro.com/warranty/](http://www.enviro.com/warranty/)

| Category   | One Year | Two Year | Limited Lifetime (7yr) |
|--|----------|----------|------------------------|
| Parts <sup>1</sup> (unit serial number required) |          | ✓        |                        |
| Firebox Liner Panels (excluding porcelain)       |          | Ceramic  | Steel                  |
| Firebox  |          |          | ✓                      |
| Heat Exchanger                                   |          |          | ✓                      |
| Burner   |          |          | ✓                      |
| Ceramic Logs <sup>2</sup>                        |          |          | ✓                      |
| Ceramic Glass <sup>3</sup>                       | ✓        |          |                        |
| Pedestal / Legs (excluding finish)               |          |          | ✓                      |
| Door Assembly                                    |          |          | ✓                      |
| Surround Panels (excluding finish)               |          |          | ✓                      |
| Exterior Panels (excluding finish)               |          |          | Up to 5 years          |
| Electrical Components                            |          | ✓        |                        |
| Exterior Surface Finishing <sup>4</sup>          | ✓        |          |                        |
| Labour   | ✓        |          |                        |

<sup>1</sup> Whereas warranty has expired, replacement parts will be warrantied for 90 days from part purchase date. Labour not included. Unit serial number required.

<sup>2</sup> Log set and panels excludes wear and tear or breakage caused by cleaning or service.

<sup>3</sup> Glass is covered for thermal breakage. Photos of box, inside of door, and unit serial # must be supplied for breakage due to shipping.

<sup>4</sup> Exterior Surface finishing covers plating, enamel or paint and excludes colour changes, chipping, and fingerprints. Travel costs not included.

# INSTALLATION DATA SHEET

The following information must be recorded by the installer for warranty purposes and future reference.

NAME OF OWNER:  
\_\_\_\_\_  
  
ADDRESS:  
\_\_\_\_\_  
\_\_\_\_\_  
\_\_\_\_\_  
  
PHONE: \_\_\_\_\_

NAME OF DEALER:  
\_\_\_\_\_  
  
ADDRESS:  
\_\_\_\_\_  
\_\_\_\_\_  
\_\_\_\_\_  
  
PHONE: \_\_\_\_\_

MODEL: \_\_\_\_\_  
SERIAL NUMBER: \_\_\_\_\_  
DATE OF PURCHASE: \_\_\_\_\_ (dd/mm/yyyy)  
DATE OF INSTALLATION: \_\_\_\_\_ (dd/mm/yyyy)  
  
 NATURAL GAS (NAT)       PROPANE(LPG)  
  
INLET GAS PRESSURE: \_\_\_\_\_ in wc  
MAIN BURNER ORIFICE: \_\_\_\_\_ # DMS  
PILOT ORIFICE # \_\_\_\_\_ OR \_\_\_\_\_ in diam.  
INSTALLER'S SIGNATURE:  
\_\_\_\_\_

NAME OF INSTALLER:  
\_\_\_\_\_  
  
ADDRESS:  
\_\_\_\_\_  
\_\_\_\_\_  
\_\_\_\_\_  
  
PHONE: \_\_\_\_\_

MANUFACTURED BY:  
SHERWOOD INDUSTRIES LTD.  
6782 OLDFIELD RD. SAANICHTON, BC, CANADA V8M 2A3  
www.enviro.com  
Summer , 2016  
C-14836