

QUALITY FIREPLACES FOR LIFE.

KOZY HEAT FIREPLACES | SP34

SP34 Prairie Overlay with optional Enamel refractory



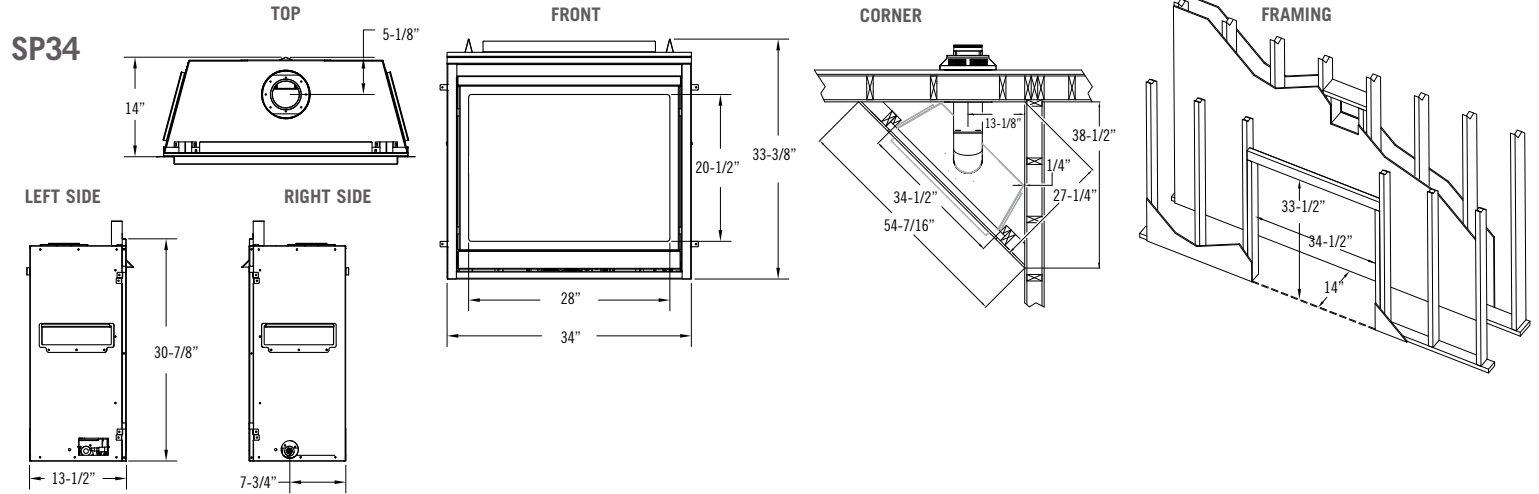
**SP34**

DIRECT VENT FIREPLACE

# OPTIONS & SPECIFICATIONS

Model	SP34
Height	30-7/8"
Width	34"
Back Width	27"
Depth	13-1/2"
Weight	90 lbs
Viewing Area	28" x 20-1/2"
BTU NG High / Low	20,500 / 14,000
BTU LP High / Low	20,500 / 15,000
Efficiencies NG / LP	67.14% / 68.91%
ENERGUIDE P.4 NG / LP	70.18% / 70.07%
Valve System	IPI & Millivolt
Fan Kit	Optional
Screen Front	Included

Features, Options & Specifications are subject to change.



## Clearances

Model	SP34
From appliance top stand-off bracket	0"
From facing material 1" (25mm) stand off	0"
From appliance back stand offs	0"
From appliance corners	1/4"
From appliance front	36"
From appliance top to ceiling	12"
Appliance sides to adjacent sidewall	4-1/2"
Fireplace enclosure floor to 3/4 in (19mm) trim	33-1/2"
Mantel 6" deep from fireplace enclosure floor	37"

### Each unit factory tested

Refer to the installation manuals for complete installation & venting requirements. See additional mantel clearance configurations in the installation manual.

## Options



## Refractory Option



Enamel

## Optional Media Kits:



Beach Accent Kit

## SP-34 Control Options



Touch Screen Thermostat Remote Control



Deluxe On/Off Remote



Wired or Wireless Wall Mount Thermostat



Wireless wall switch

## Burn Video



## Vent System Approval & Requirements

This fireplace is manufactured to accept 6 5/8" x 4" direct vent chimney for horizontal and vertical terminations. Refer to the installation manual for specifications.

**IMPORTANT:** A wall thimble/pass thru must be used on ALL horizontal vent runs that pass through interior OR exterior walls. (follow vent manufactures instructions)

Elbows: For each additional 90° elbow used after the first elbow, 3' must be subtracted from the maximum venting allowed. For each additional 45° elbow used after the first elbow, 1 1/2' must be subtracted from the maximum venting allowed. Note: (2) 45° elbows = (1) 90° elbow.

### Horizontal Terminations

Minimum: 90° + 6" + cap  
Maximum: See Manual

### Vertical Terminations

Minimum: 3' + vent cap  
Maximum: 50' + vent cap

In order to continually provide the highest quality product available, features/options, specifications & dimensions are subject to change. Refer to the unit installation manual for complete installation instructions. Installation must conform with local building codes. **In some regions it may be possible that this appliance qualifies for an energy rebate. See your local dealer for details regarding promotions and qualifications.**

Product Line:



For complete information on the Kozy Heat product line, please contact us at:

Manufactured by Hussong Mfg. Co., Inc.  
204 Industrial Park Drive, Lakefield, MN 56150  
Phone 1-800-253-4904 www.kozyheat.com

6-16

