

Installation & Maintenance Manual



H34VO H38VO
HL38VO H42VO

Outdoor
Residential
Gas Fireplace



DANGER

If you smell gas:

1. Shut off gas to the appliance.
2. Extinguish any open flame.
3. If odor continues, keep away from the appliance and immediately call your gas supplier or fire department.

WARNING

If the information in these instructions is not followed exactly, a fire or explosion may result causing property damage, personal injury or death.

CAUTION

Glass doors on gas fireplaces are **extremely hot** while the fireplace is on and remain hot even after the fireplace has been turned off. Safety screens are available and can reduce the risks of severe burns. Please keep children away from the fireplace at all times.

WARNING

CARBON MONOXIDE HAZARD

This appliance can produce carbon monoxide which has no odor. Using it in an enclosed space can kill you. Never use this appliance in an enclosed space such as a camper, tent, car or home.

WARNING

FOR OUTDOOR USE ONLY.



NOTICE

You must read and understand this manual prior to installation, operation or troubleshooting this appliance. Please retain this owner's manual for future reference and maintenance.

Table of Contents

Introduction 3

Models 3

Installation

Before you Start 4

Installation Checklist 4

Section 1: Installation Overview and Product Dimensions 5

Section 2: Framing the Fireplace 6

Clearances 6 - 7

Finishing around the Fireplace 7

Section 3: Venting N/A

Section 4: Wiring 8

▪ Honeywell gas control and pilot 8

Section 5: Installing the Gas Line 9

Section 5-1: Fuel Conversion 9

Section 5-2: Gas Pressure 9

Section 5-3: Gas Connection 9

Section 6: N/A

Section 7: Installing and Removing the Door 10

Section 8: Installing the Accessories 11 - 14

▪ Installing the H34VO Log Set 11

▪ Installing the H38VO Log Set 12

▪ Installing the H42VO Log Set 13

▪ Installing the HL38VO Firestones 14

Section 9: Operation 15 - 16

▪ Start-up Sequence with Continuous Pilot 15

▪ Start-up Sequence with Honeywell Electronic Ignition 16

Maintenance 17 - 18

▪ General 17

▪ Cleaning 17

▪ Hi-Lo Burner Adjustment 17

▪ Pilot Burner Adjustment 17

▪ Replacement Parts 18

Appendix

A. Termination Locations 19

B. Warranty 20

C. State of Massachusetts 21

NOTICE

Installer: Leave this manual with the appliance. Do not remove.
Consumer: Retain this manual for maintenance and future reference. Do not Discard.

Safety Alert Key



DANGER

Indicates a hazardous situation which, if not avoided, **WILL** result in death or serious injury or property damage.



WARNING

Indicates a hazardous situation which, if not avoided, **COULD** result in death or serious injury or property damage.



CAUTION

Indicates a hazardous situation which, if not avoided, **WILL** result in minor or moderate injury.

NOTICE

Address practices that are important, but not related to personal injury

Introduction

Congratulations on your purchase of a **Montigo Fireplace**.

With over 30 years of experience, Montigo is committed to providing you with a gas fireplace that is not only a beautiful addition to your space, but that is also designed and manufactured to the highest safety, reliability and engineering standards.

We strongly encourage you to read and carefully follow the instructions laid out in this Installation, Operation and Maintenance Manual and retain it for your future reference. Pay special attention to all cautions, warnings, and notices throughout this manual intended to ensure your safety.

This manual covers installation, operation and maintenance. Lighting, operation and care of this fireplace can be easily performed by the homeowner. All installation and service work should be performed by a qualified or licensed installer, plumber or gas fitter as certified by the state, province, region or governing body where the fireplace is being installed.

This installation, operation and maintenance manual is applicable to the models described below. Refer to your rating plate to verify included options.

How to use this manual:

This manual covers installation, operation and maintenance. Lighting, operation and care of this fireplace can be easily performed by the homeowner. However, all installation and service work should be performed by a qualified or licensed installer, plumber, or gasfitter who is qualified or licensed by the state, province, region, or governing body in which the appliance is being installed.

Warranty and Installation Information: (See Appendix B)

The Montigo warranty will be voided by, and Montigo disclaims any responsibility for, the following actions:

- ▶ Modification of the fireplace and/or components including Direct-Vent assembly or glass doors.
- ▶ Use of any component part not manufactured or approved by Montigo in combination with this Montigo fireplace system.
- ▶ Installation other than as instructed in this manual.

Consult your local Gas Inspection Branch on installation requirements for factory-built gas fireplaces. Installation & repairs should be done by a qualified contractor.

MODEL	Natural Gas	Liquid Propane	Gas Rating (BTU hr)	Traditional Burner / Logset	Contemporary Burner w/River rock	Linear Burner w/ Glass Accessories	Standing Pilot Ignition	Honeywell Hot Surface Ignition	SIT Electronic Ignition
H34VON	X		26,000	X			X	X	
H34VOL		X	26,000	X			X	X	
H38VON	X		34,000	X			X	X	
H38VOL		X	34,000	X			X	X	
HL38VON	X		34,000			X	X	X	
HL38VOL		X	34,000			X	X	X	
H42VON	X		40,000	X			X	X	
H42VOL		X	40,000	X			X	X	



WARNING



Hot glass will cause burns. **Do not touch glass** until unit is cooled. **Never** allow children to touch glass.



Installation

IMPORTANT MESSAGE: SAVE THESE INSTRUCTIONS

The H-Series VO Ventless fireplace must be installed in accordance with these Instructions. Carefully read all the Instructions in this manual first. Consult the Local Gas Branch to determine the need for a permit prior to starting the installation. It is the responsibility of the installer to ensure this fireplace is installed in compliance with the manufacturers instructions and all applicable codes.

BEFORE YOU START:

NOTICE

Installation and repairs should be done by an authorized gas fireplace service technician. The appliance should be inspected before use and at least annually by a professional. More frequent cleaning may be required due to excessive lint from carpeting, bedding material, etc. It is imperative that control compartments, burners and circulating air passageways of the fireplace are kept clean.

CAUTION

Due to high operating temperatures, this appliance should be located out of traffic & away from furniture and draperies.
Children and adults should be alerted to the hazards of the high surface temperature, which could cause burns or clothing ignition.
Young children should be carefully supervised when they are in the same room as the appliance.
Clothing or other flammable materials should not be placed on or near the appliance.

DANGER

When this appliance is installed directly on any combustible material other than wood flooring, it must be installed on a metal or wood panel extending the full width and depth of the appliance or a fire will occur causing serious injury, property damage or even death.

Installation Checklist

- Determine the desired install location of your fireplace.
- See **Section 1**, Dimensions on **Page 5**, and refer to the Framing **Section 2** for details.
- Layout Electrical Requirements Refer to **Section 4**: Wiring, for Details.
- Refer to **Section 5**: Installing the Gas Line, for details on the gas connection and access.
- Refer to local codes and guidelines for installation requirements.
- **Installation and repairs should be done by a qualified contractor and must conform to:**
 - **Installations in Canada** must conform to the current CAN/CGA B-149.1 and .2 Gas Installation Code and local regulations.

- **Installations in Canada** must conform to the local codes or in the absence of local codes to the current version of Natural Gas and Propane Installation Code, CSA B149. Electrical Installations must conform to the local codes or, in the absence of local codes, to the current version of Canadian Electrical Code, CSA C22.1.1

- **Installations in the USA** must conform to the local codes or in the absence of local codes to the current version of National Fuel Gas Code, ANSI Z223.1/NFPA 54. Electrical Installations must conform to the local codes or, in the absence of local codes, to the current version of the National Electrical Code, ANSI/NFPA 70. See **Appendix C** for installation within the State of Massachusetts.

CAUTION

Young children should be carefully supervised when they are in the same room as the appliance. Toddlers, young children and others may be susceptible to accidental contact burns. A physical barrier is recommended if there are at risk individuals in the house. To restrict access to a fireplace or stove, install an adjustable safety gate to keep toddlers, young children and other at risk individuals out of the room and away from hot surfaces.

Installation



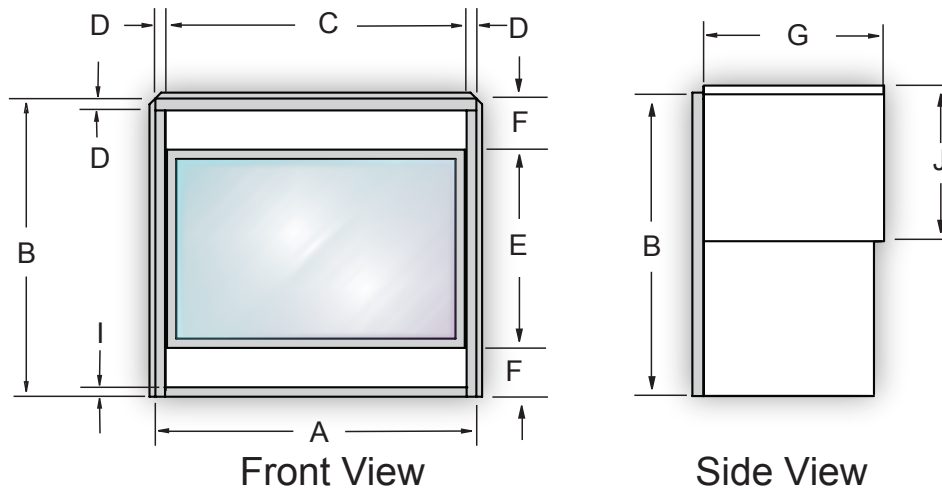
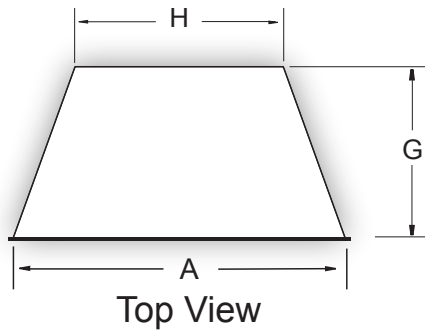
Section 1: Installation Overview and Product Dimensions

Please review the Installation Checklist on Page 4 for general information on preparing for a successful installation of your fireplace.

The H-Series VO fireplace may be installed in any location that maintains proper clearances to air conditioning ducts, electrical wiring and plumbing.

Safety, as well as efficiency of operation, should be considered when selecting the fireplace location. Try to select a location that does not interfere with room traffic, has adequate ventilation and offers an accessible path for Direct Vent installation.

The fireplace dimensions are shown below:



Unit Dimensions										
	A	B	C	D	E	F	G	H	I	J
H34VO	33 ³ / ₈ "	34 ⁷ / ₈ "	31 ³ / ₈ "	1 ¹ / ₄ "	22 ³ / ₄ "	5 ¹ / ₄ "	19 ³ / ₄ "	24"	1"	18"
H38VO	37 ⁷ / ₈ "	37 ³ / ₈ "	35 ¹ / ₄ "	1 ¹ / ₄ "	25"	5 ¹ / ₄ "	20 ¹ / ₁₆ "	25"	1"	18"
H42VO	42"	41 ¹ / ₄ "	39 ¹ / ₂ "	1 ¹ / ₄ "	28 ³ / ₄ "	5 ¹ / ₄ "	21 ⁵ / ₈ "	28"	1"	18"

Figure 1. Fireplace dimensions, (ALL Models, shown in Table on Page 3).



Installation

Section 2: Framing

Choosing The Fireplace Location

The H-Series VO may be installed in an outdoor setting such as a patio or balcony. Choose a location that maintains proper clearance to combustibles as noted in the clearances chart.

Note: The H-Series VO may not be recessed into the exterior wall.

Note: Minimum 2 side of the covered patio/deck must be open

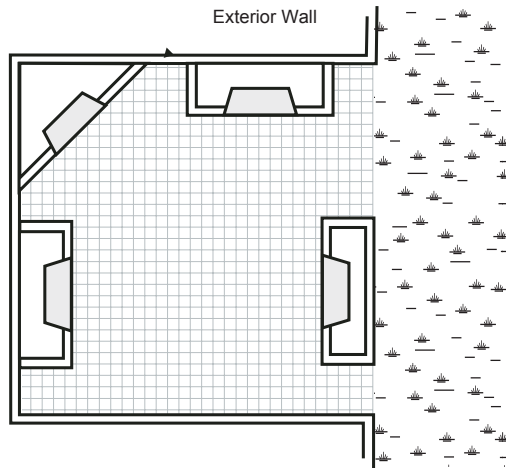
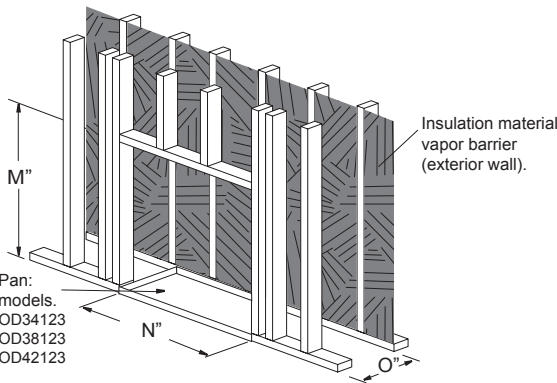


Figure 2. Choosing the fireplace location.

For protection against freezing temperatures, it is recommended that outer walls of the chase be insulated with a vapour barrier. This will reduce the possibility of a cold-air convection current on the fireplace.



**Optional ID rain Pan: available for all models.
H34VO Part No. OD34123
H38VO Part No. OD38123
H42VO Part No. OD42123

Figure 2a. Framing dimensions.

Framing Dimensions					
	M	N	O	P	Q
H34VO	40 ³ / ₈ "	33 ⁷ / ₈ "	20 ³ / ₄ "	73 ⁵ / ₈ "	52"
H38VO	43 ³ / ₈ "	37 ⁷ / ₈ "	21"	79"	55 ¹ / ₂ "
H42VO	46 ³ / ₄ "	42"	22 ⁵ / ₈ "	85"	60"

** The H-Series VO models have an **Optional** Stainless Steel Drain Pan available. Note, If the Drain Pan is ordered with the fireplace it must be installed at the time of construction. The Pan cannot be added at a later date. See **Figure 2a** above.

Warning:

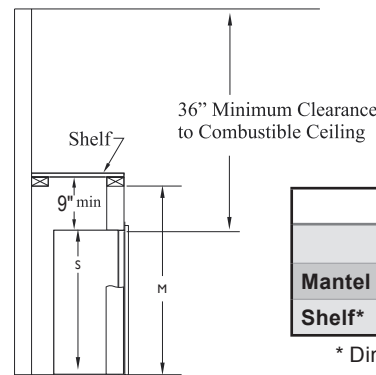
When covering the upper metal portion of the fireplace with a non-combustible material Please Note: The decorative facing materials may be subject to temperatures in excess of 250° F. This should be considered when selecting facing materials.

Please be aware; temperatures over the mantel will rise above normal room temperature and walls above fireplace may be hot to touch.

We recommend careful consideration be given to the effects of elevated mantel temperatures which may be in excess of product design, for example: candles, plastic or pictures.

When installing a shelf over the top of the fireplace, the minimum clearance from the top of the fireplace to a shelf is 9".

When raising the hearth, the minimum clearance from the top of the fireplace to a combustible ceiling is 36".



Clearances			
	H34VO	H38VO	H42VO
Mantel	12"	12"	12"
Shelf*	9"	9"	9"

* Dimension plus height of shelf.

Figure 2b. Framing for shelves over the fireplace.

Clearances

The H-Series VO clearances to combustibles are listed below and are the **minimum** clearances to combustibles that apply to the following dimensions:

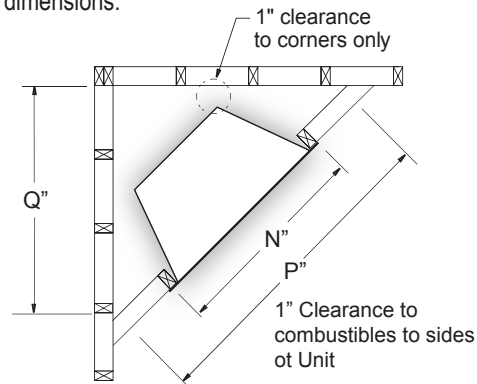


Figure 3. Minimum Corner framing dimensions.

Important

If the **Optional** drain pan is not used during construction; (as shown in **Figure 2a** above) ensure any water build-up can escape to the exterior of the finished enclosure.

Water penetration can occur, and accumulate in the base of the fireplace, and if not taken into consideration can cause deterioration of materials, and may cause premature failure of the structure.

Installation



Clearances			
	H34VO With Insulation Jacket	H(L)38VO With Insulation Jacket	H42VO With Insulation Jacket
Top	9"	9"	9"
Header	5½"	5½"	5½"
Sides	1"	1"	1"
Floor	0"	0"	0"
Back	1"	1"	1"
Mantel	12"	12"	12"
Ceiling	36"	36"	36"

Mantels & Surrounds

NOTE: National Canadian Gas Association mantel test requirements are for fire hazard prevention to combustible materials.

New technology, to meet consumer and government demands for the wise use of energy, has prompted us to manufacture many models of fireplaces which are hot, fuel and energy efficient.

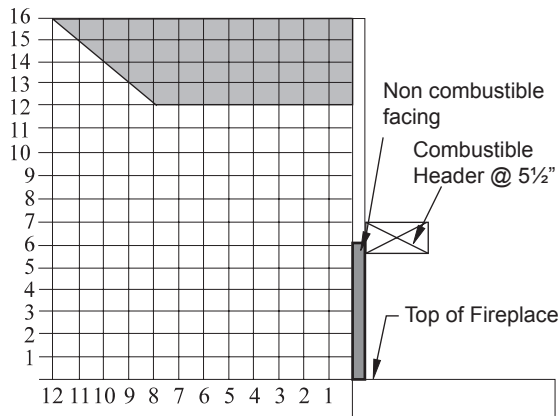


Figure 3. Non-combustible mantles and facings.

Finishing Around the Fireplace

All fireplace facing must be non-combustible. Non-combustible mantels and mouldings **may** be safely installed over the top and on the front of the fireplace provided that they do not project beyond shaded area shown in **Figure 3**. Side wall clearances are 3". Only non-combustible surrounds may be installed around and on the facing of the fireplace as shown in **Figure 3b**.

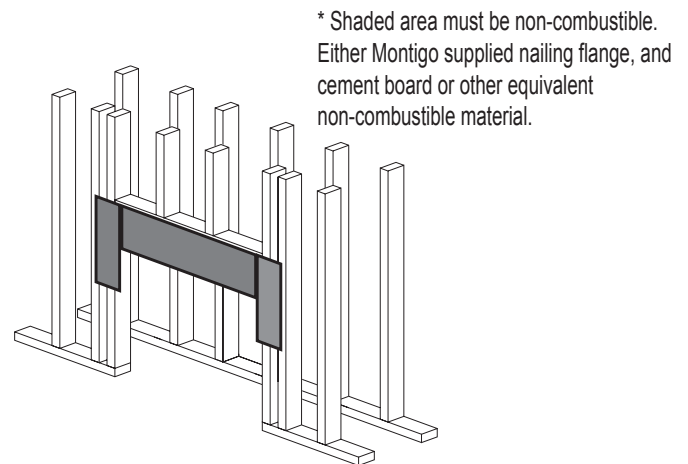


Figure 3a. Non-combustible facing Material

Fireplace Facing

When selecting the finish material for your fireplace, it is important to remember the following: **THE LOWER GAS CONTROL PANEL MUST NOT BE OBSTRUCTED IN ANY WAY - to do so restricts the air supply for the control compartments and heat exchanger it also prevents access for servicing controls.**

Decorative facing must not extend past the fireplace opening at all, because it will interfere with the access to retainers for removal of glass door.

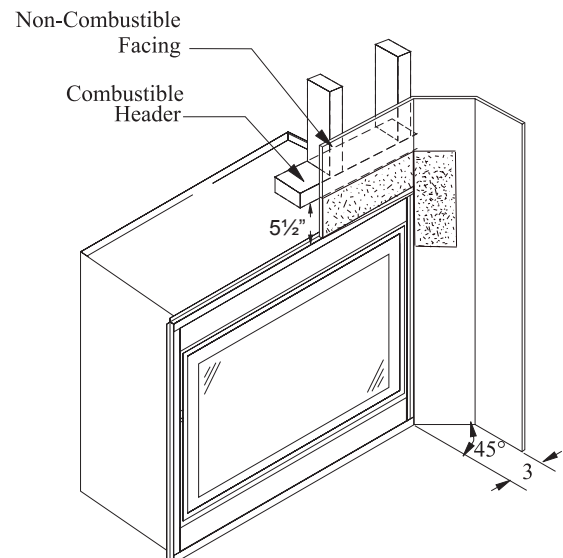


Figure 3b. Non-combustible surrounds and sidewall clearances.

WARNING:

When this appliance is installed directly on any combustible material other than wood flooring, it must be installed on a metal or wood panel extending the full width and depth of the appliance.



Installation

Section 4: Wiring

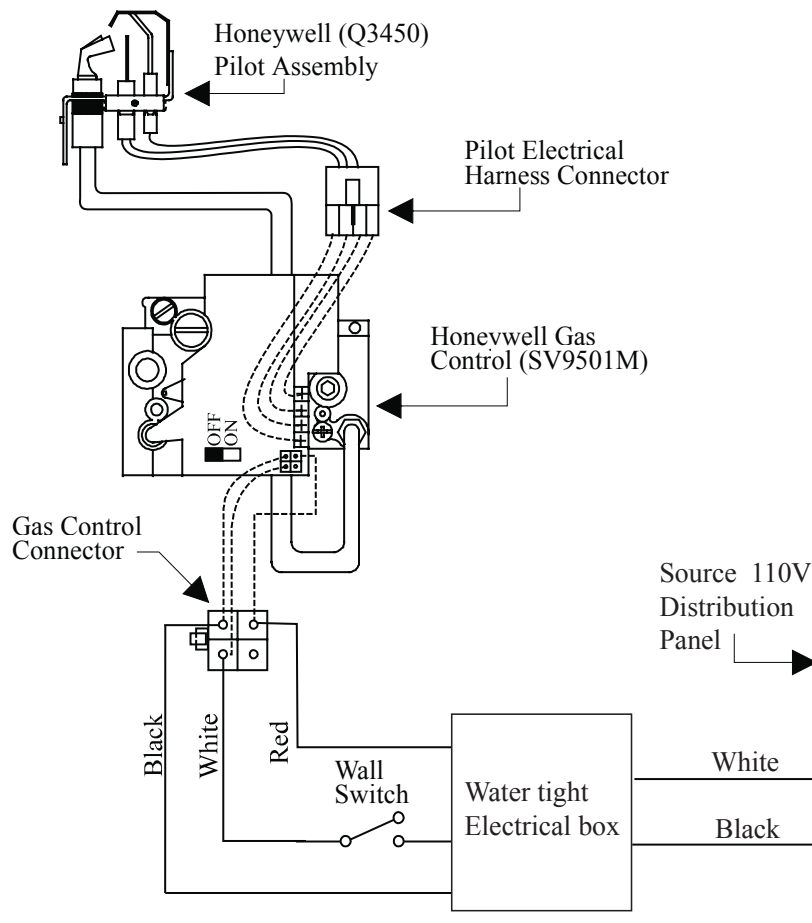


Figure 4. Wiring for the H-Series VO Honeywell gas control and pilot.

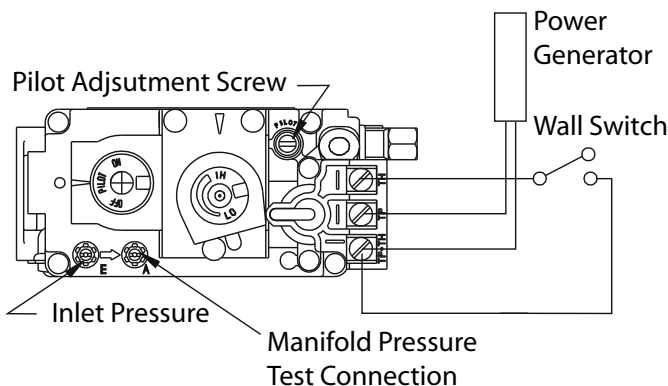


Figure 4a. Standing Pilot Diagram

Installing The Remote Switch

The H-Series VO's gas valve, located behind the lower trim, may be connected to a wall switch. The valve generates its own power on a millivolt circuit. Use only low voltage wire, and DO NOT connect any external power to it.

Refer to **Figure 4** for wiring requirements.

Note: The switch location must not exceed 30' from the fireplace.

WARNING!

Montigo Part No. #RPOVO must be encased in a water-tight electrical box OR ensure the box is installed in a dry location and avoid any moisture. If installed outdoors, ensure you also install a Ground Fault Interrupt per local code.

Installation



Section 5: Installing the Gas Line

Section 5-1: FUEL CONVERSION

- Verify that your fireplace is compatible with your available gas type. (Natural Gas or Propane shown by "N" or "L" in your model number)
- If gas type is not compatible, contact your local Montigo representative to purchase a conversion kit.
- Conversion kits must be installed by a qualified service technician.

Section 5-2: GAS PRESSURE

- Optimum appliance performance requires proper input pressures.
- Gas line sizing requirements will be determined in ANSI Z221.3 National Fuel Gas Code in the USA and CAN/CGA B149 in Canada.

Pressure requirements are:

Gas Pressure	Natural Gas	Propane
Minimum inlet pressure	5.5in. w.c.	11in. w.c.
Manifold pressure	3.5in. w.c.	10in. w.c.

- The manifold outlet pressure is set from the factory to the appropriate pressure but should be verified.
- To check pressures, control valves have a provision to remove a 1/8" N.P.T. plug to be fitted with a hose barb.
- Montigo requires a service shut off valve be located in an accessible location to isolate the gas supply.
- Only install gas shut-off valves approved for use by the state, province, or other governing body in which the fireplace is being installed.

Section 5-3: GAS CONNECTION

- See **Figure 5** below for location of gas line access.
- Flexible gas connectors must not exceed 3 feet in length, unless allowable within local regulations.
- Connect incoming gas line to the 1/2" or 3/8" gas inlet port.
- Purge all air out of gas line.
- Check appliance connection, valve and valve train under normal operating pressure with a commercially available leak check solution.
- **DO NOT USE A FLAME OF ANY KIND TO TEST FOR LEAKS.**

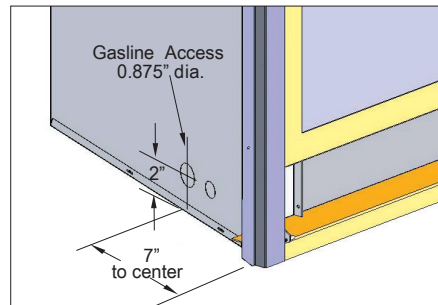


Figure 5. Gas line access.

Note: After gas line is connected, **each appliance connection, valve and valve train** must be checked while under normal operating pressure with either a liquid solution, or leak detection device, to locate any source of leak. Tighten any areas where bubbling appears or leak is detected until bubbling stops completely or leak is no longer detected. **DO NOT use a flame of any kind to test for leaks.**

WARNING!

When pressure testing the fireplace, Gas line, and input system follow the appropriate local codes or your area. **DO NOT** connect the fireplace to pressures in excess of 1/2lb. This will damage the gas control valve.



Installation

Section 7: Installing & Removing the Door

Removing the door:

The H-Series VO doors are removed in a few simple steps. Follow these below to remove the Horizontal access panel, unlatch the door buckles and, remove the door. Replace in reverse order.

Remove the Horizontal Access Panel:

Step 1: Remove the Horizontal Access Panel:

Remove the Horizontal cover by placing fingers in both finger holes, then pushing away from you and lifting out. Place it aside during maintenance or cleaning. Install in reverse order.



Figure 7. Removing and installing the Horizontal Access Panel

Step 2: Locate the Door Buckles:

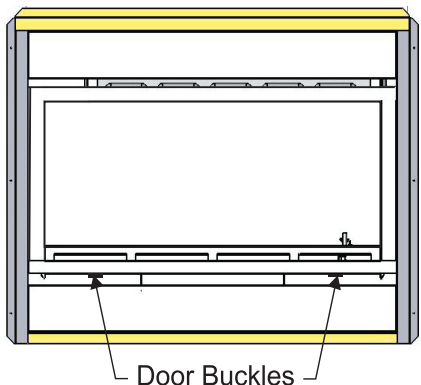


Figure 7a. Locate the door buckles. (Both Sides Typical)

Step 3: Release the Door Buckles



Figure 7b. Door buckle Tool

Step 4:

Firmly grasp hand-hold end of Door buckle tool and place the machined end in the slot under door frame. (as shown)

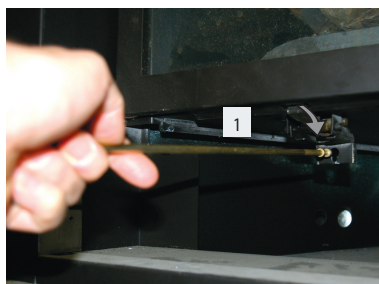


Figure 7c.

Step 5:

Ensure the tool is firmly in the lower end of the slot, (as shown), Then pull toward you (Caution: hold the tool securely).

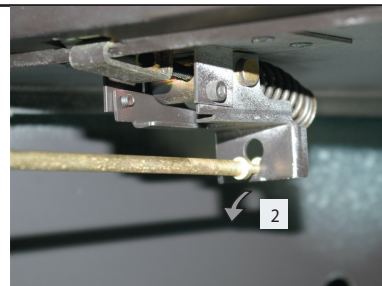


Figure 7d.

Step 6:

Pull hard if necessary to release the spring tension. (Caution: The latch springs back with force, hold the tool securely).

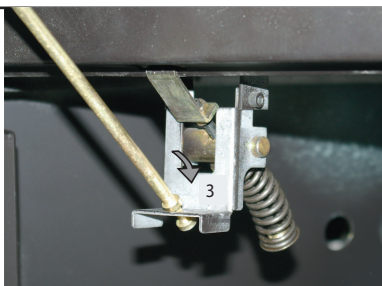


Figure 7e.

Step 7:

Remove the tool from the latch slot. Ensure the latches are hanging freely, the hook end is released from the bottom of the door. (Repeat all 4-steps for the remaining latches).

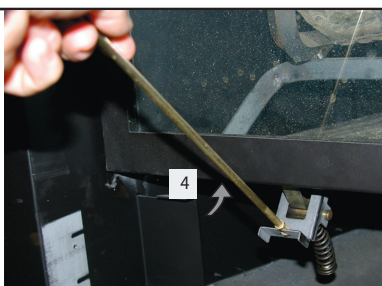


Figure 7f.

Step 8: Removing the Door:

Grasp the Door on either side, usually midway and lift upward, lift the door carefully up and away from the front of the fireplace. See **Figures 7g**. Place the Door aside in a safe place while maintenance and / or cleaning is being performed.

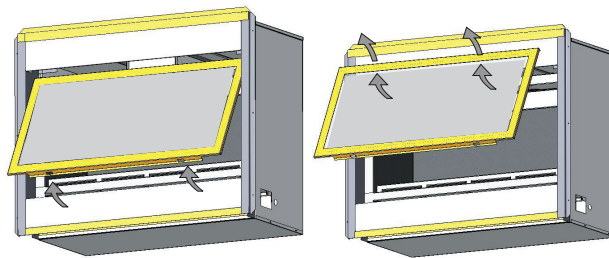


Figure 7g. Removing and installing the glass doors. (Both Sides Typical)

Installing the Door:

To install the door, hook the top edge of the door frame into place. Lower the door into position and follow the previous steps shown in reverse order.

Installation



Section 8: Installing the Accessories

Installing the H34VO Log Set

Installing the Logs:

The H34VO fireplace is supplied with five ceramic fibre logs. Unpack the logs and handle them very carefully.

Step 1. Remove the glass door as described in the previous instruction.

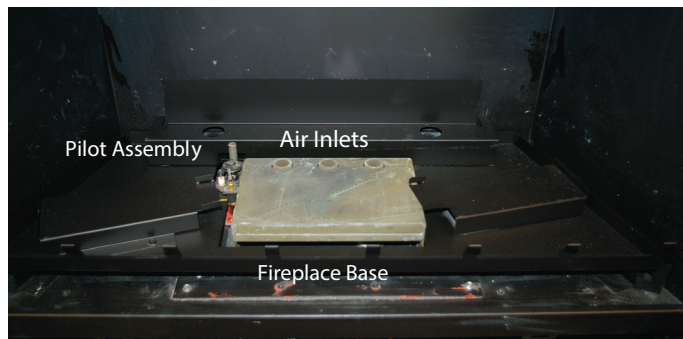


Figure 8a. H34VO's Fireplace Base.

Step 2. Install Bottom Rear log as shown in **Figure 8b**.

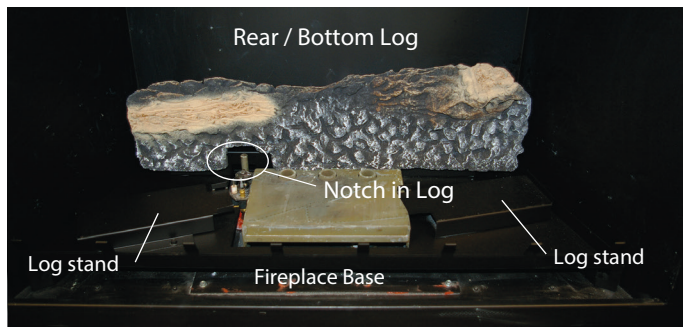


Figure 8b. Bottom/Rear log placement.

Step 3. Install Both front base logs, (**Figure 8c**) on the log stands provided. See **Figure 8b**.

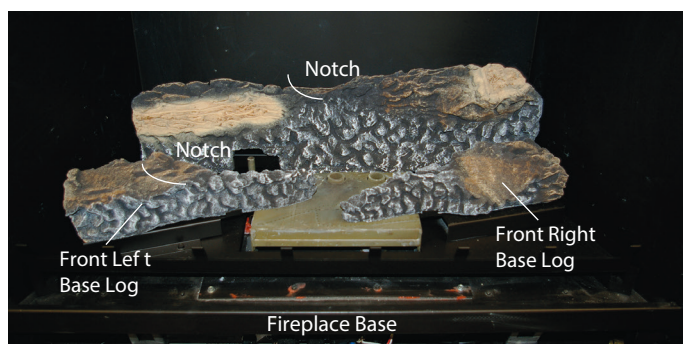


Figure 8c. Front base logs placement.

Step 4. Place the top left log as shown in **figure 8d**. A flat area is provided on the front left log, and a notch in the Rear bottom log, as shown in **figure 27c**. Install the glass door. If the flame does not appear satisfactory, double-check the air inlet and exhaust outlet pipe to ensure that they are unobstructed.

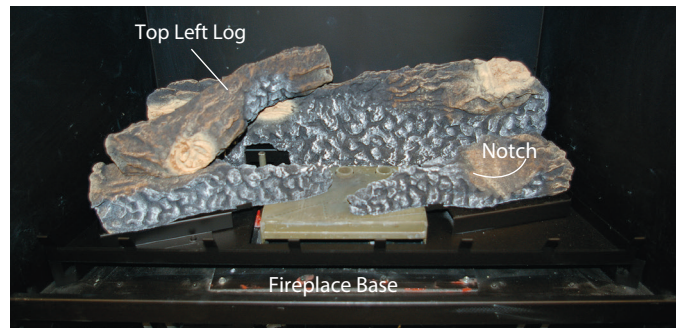


Figure 8d. Top Left log placement.

Step 5. Place the top right log as shown in **figure 8e**. A notch is provided on the front right log, and a impression in the Rear bottom log.

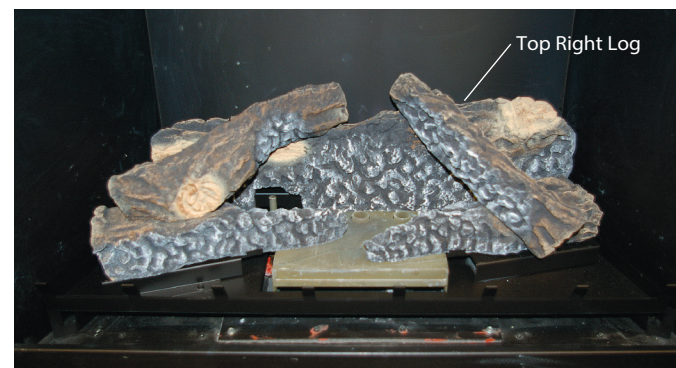


Figure 8e. Top right log placement.

Step 6. Start the fireplace. If the flame appears satisfactory, replace the glass door. If the flame does not appear satisfactory, double-check the air inlet and exhaust outlet pipe to ensure that they are unobstructed.

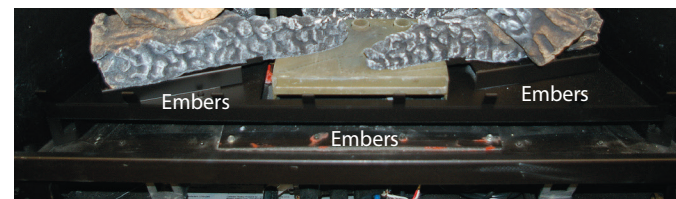


Figure 8f. Placing Embers.

Step 7. Place the Embers as shown in **figure 8f**. Arrange the ember chips on top of the burner tray. Care should be taken when placing the embers, as blocked burner ports may cause an incorrect flame pattern, carbon deposits and delayed ignition. Also, the embers must never be placed in a way that obstructs any of the air inlet ports, located at the rear of the burner, as shown in **figure 8a**.

NOTICE

If logs are not placed properly, excessive sooting will result.



Installation

Installing the Log set:

The H38VO are supplied with a six ceramic fibre log logset. Unpack the logs and handle them very carefully.

Step 1. Remove the glass door as described in the previous Instructions.

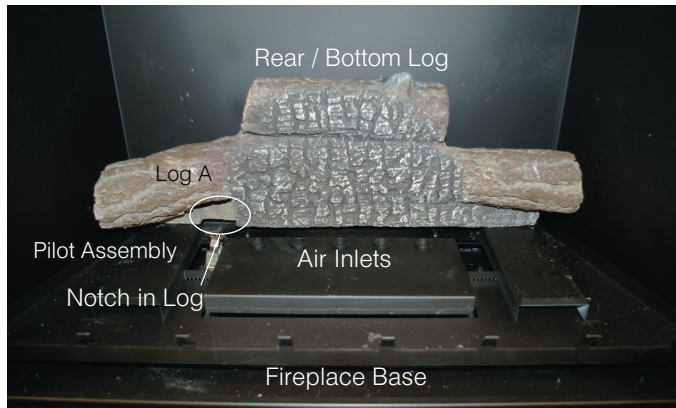


Figure 9a. Bottom Rear Log, (Log A).

Step 2. Place the bottom Rear log (Log A) as shown in **figure 9a**.

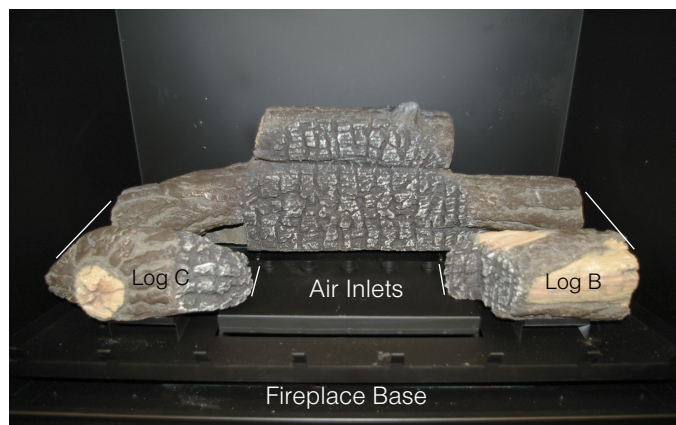


Figure 9b. Left front Log, (Log C) and Right front Log, (Log B).

Step 3. Place the bottom Right log (Log B) and bottom Left Log, (Log C) as shown in **figure 9b**.

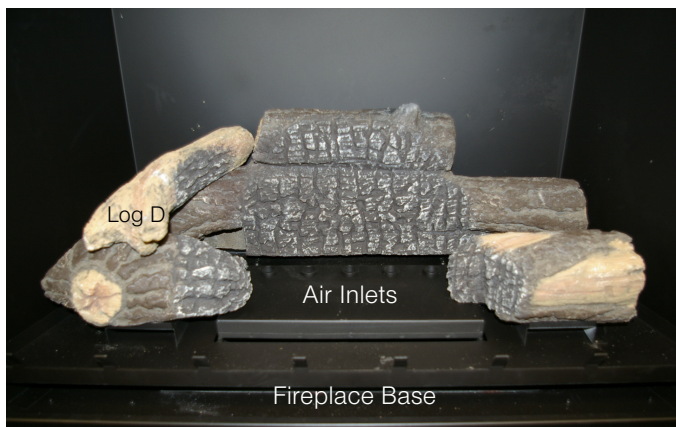


Figure 9c. Top Left Log, (Log D).

Step 5. Place Front Left log (Log D) as shown in **figure 9c**.

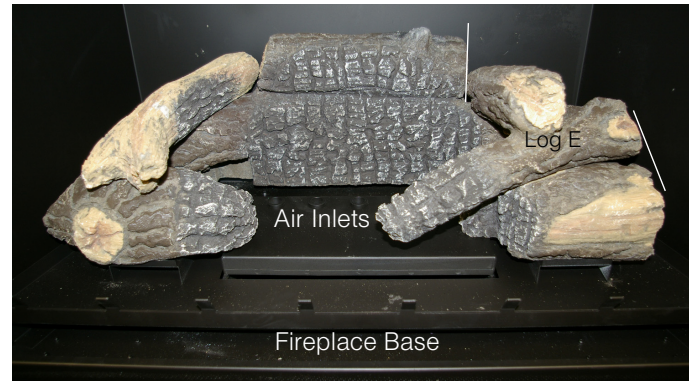


Figure 9e. Top Right Log, (Log E)..

Step 6. Place Front Right log (Log E) as shown in **figure 9e**.



Figure 9f. Front Left Log, (Log F).

Step 7. Place Front Left log (Log F) as shown in **figure 9f**. Set notch in lower end of Log F against stile on Log Grate.



Figure 9g. Completed Logset.

NOTICE

If logs are not placed properly, excessive sooting will result.

Installation



Installing the Log set:

The H42VO* is supplied with a seven ceramic fibre log logset. Unpack the logs and handle them very carefully.

Step 1. Remove the glass door as described in the previous Instructions.

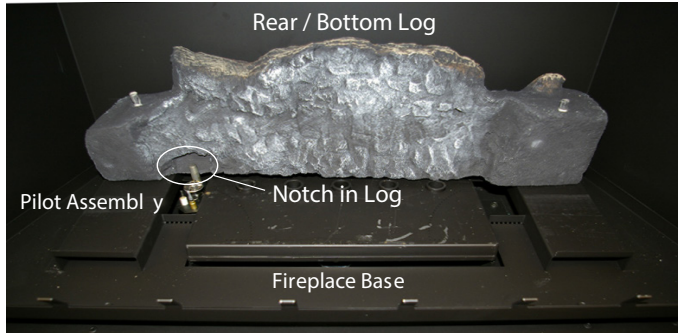


Figure 10a. Placing Bottom Rear Log.

Step 2. Place the bottom Rear log as shown in **figure 10a**.

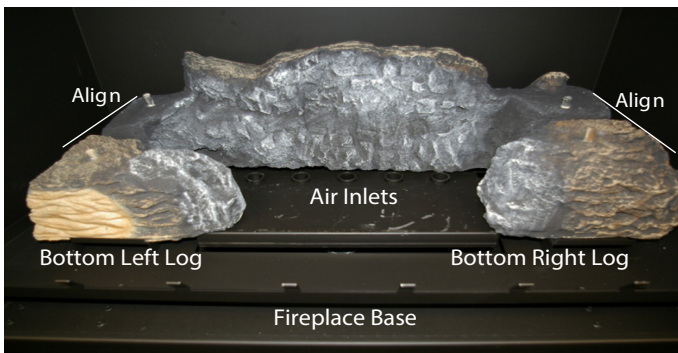


Figure 10b. Placing Bottom Right / Left Logs.

Step 3. Place the bottom Right and Left logs as shown in **figure 10b**.

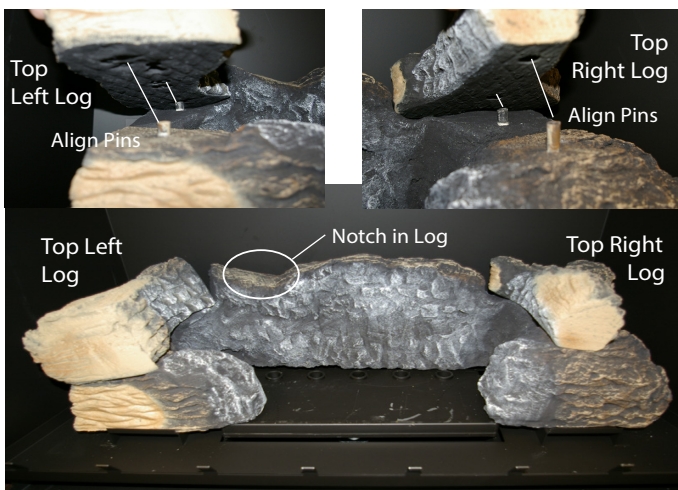


Figure 10c. Top Left / Right Log.

Step 4. Place the Top Right log as shown in **figure 10c**. using the (4) four alignment pins protruding from the top of the Right and Left Bottom Logs, as shown in **figure 10c**. With these pins align the Top Right and Left logs using the predetermined alignment holes cast into the underside of the logs, as shown above, **figure 10d**.

Step 5. Place the Centre Front log, **Figure 10d** below, as shown using the notch cast in the Bottom Rear log as shown in **figure 10c** above.

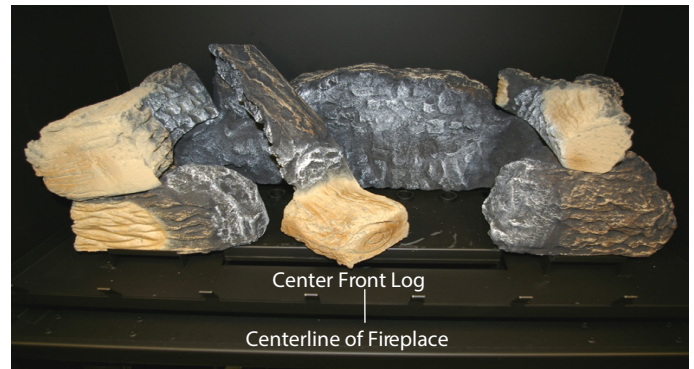


Figure 10d. Placing Centre Front Log.

Step 7. Place the Right Centre log as shown in **figure 10e**.

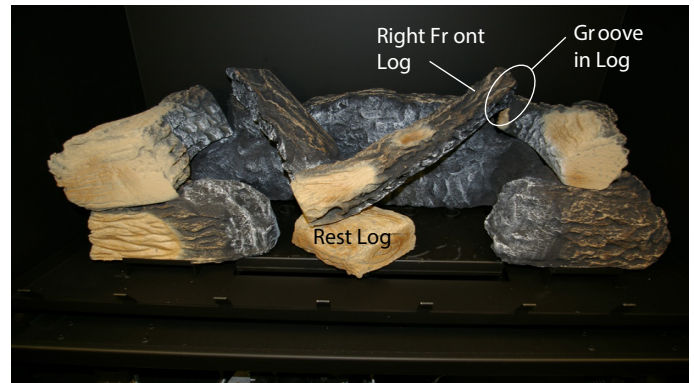


Figure 10e. Placing Right Center Log.

Step 8. Place the Right Center log as shown using the notch in the Top Right log as a guide, **figure 10f**.

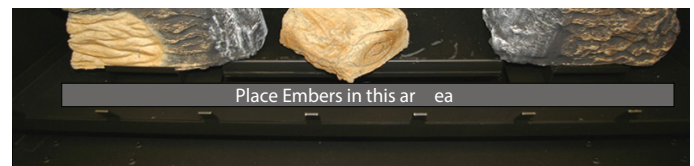


Figure 10f. Placing Embers.

Step 9. Place the Embers as shown in **figure 10f**.

Arrange the ember chips on top of the burner tray. Care should be taken when placing the embers, as blocked burner ports may cause an incorrect flame pattern, carbon deposits and delayed ignition. Also, the embers must never be placed in a way that obstructs any of the air inlet ports, located at the rear of the burner, as shown in **figure 10b**.

NOTICE

If logs are not placed properly, excessive sooting will result.



Installation

Section:

Installing the Firestones:

N.G. & L.P. Fireplaces

Propane HL38VO* Fireplaces, has the option of installing the optional cultured rocks or firestones. As described below, CAUTION, the firestones or cultured rocks cannot cover the burners. Doing so produces an undesirable / uneven flame pattern, and eventual sooting. Install as shown, **Figure 11 to 11a**.



CAUTION!

DO NOT COVER THE BURNERS with firestones



Figure 11. Completed firestone installation. (Note: **DO NOT** place ANY firestones on top of the burners).



Figure 11a. Operating gas fireplace with firestones surrounding burner tray.

Operation



Section 9: Start-up Sequence with Continuous Pilot

For Your Safety - READ BEFORE LIGHTING:

WARNING

If the information in these instructions is not followed exactly, a fire or explosion may result causing property damage, personal injury or death.

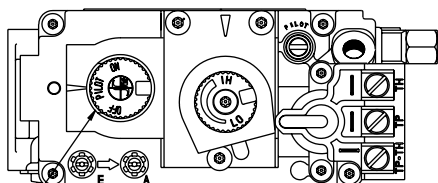
- A. This appliance has a pilot which must be lighted by hand. When lighting the pilot, follow these instructions exactly.
- B. **BEFORE LIGHTING** smell all around the appliance area for gas. Be sure to smell next to the floor because some gas is heavier than air and will settle on the floor.

What To Do If You Smell Gas:

 - Do not try to light any appliance.
 - Do not touch any electrical switch; do not use any phone in your building.
 - Immediately call your gas supplier from a neighbour's phone. Follow the gas supplier's instructions.
- If you cannot reach your gas supplier, call the Fire Department.
- C. Use only your hand to push in or turn the gas control knob. Never use tools. If the knob will not push in or turn by hand, don't try to repair it, call a qualified service technician. Force or attempt to repair may result in a fire or explosion.
- D. Do not use this appliance if any part has been under water. Immediately call a qualified service technician to inspect the appliance and to replace any part of the control system, and any gas control which has been under water.

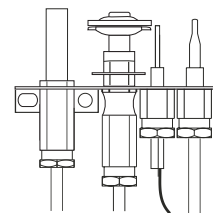
Lighting Instructions:

1. **STOP!** Read the safety information above on this label.
2. Lift out the lower Horizontal access panel.
3. Push in gas control knob and turn clockwise ↻ to "OFF."
4. Wait five (5) minutes to clear out any gas. Smell for gas, including near the floor. If you then smell gas, **STOP!** Follow "B" in the safety information above on this label. If you don't smell gas, go to the next step.
5. Locate pilot burner (*See illustration at right.*) and follow steps below.
6. Turn knob on gas control counter clockwise ↻ to "PILOT."
7. Push in gas control knob completely and hold. Light with Piezo Igniter button. Continue to hold the control knob in for about (1) minute after the pilot is lit. Release the knob and it will pop back up. Pilot should remain lit. If it goes out repeat steps 3 through 8.
 - If knob does not pop up when released. Stop and immediately call your service technician or gas supplier.
 - If the pilot will not stay lit after several tries, turn the gas control knob to "OFF" and call your service technician or gas supplier.
8. Push in gas control knob and turn counter-clockwise ↻ to "ON."
9. Replace the lower Horizontal access panel.
10. Turn on remote switch to ignite fire.



Gas Control Knob
(Shown in "Pilot" position.)

NOTE: Gas control knob cannot be turned from "PILOT" to "OFF" unless knob is pushed in slightly. Do not force.



To Turn Off Gas To Appliance:

1. Turn off remote switch.
2. Lift out the lower Horizontal access panel.
3. Push in gas control knob slightly and turn ↻ clockwise to "Off". Do not force.
4. Replace the lower Horizontal access panel.



Operation

Section 9: Start-up Sequence with Honeywell Ignition

For Your Safety - READ BEFORE LIGHTING:



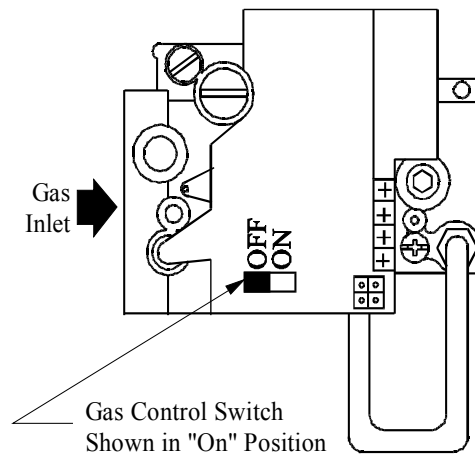
WARNING

If the information in these instructions is not followed exactly, a fire or explosion may result causing property damage, personal injury or death.

- A. This appliance is equipped with an ignition system that lights the pilot burner automatically. **Do not attempt to light the pilot by hand.**
- B. **BEFORE LIGHTING** smell all around the appliance area for gas. Be sure to smell next to the floor because some gas is heavier than air and will settle on the floor.
 - What To Do If You Smell Gas:**
 - Do not try to light any appliance.
 - Do not touch any electrical switch; do not use any phone in your building.
 - Immediately call your gas supplier from a neighbour's phone. Follow the gas supplier's instructions.
- If you cannot reach your gas supplier, call the Fire Department.
- C. Use only your hand to push in or turn the gas control knob. Never use tools. If the knob will not push in or turn by hand, don't try to repair it, call a qualified service technician. Force or attempt to repair may result in a fire or explosion.
- D. Do not use this appliance if any part has been under water. Immediately call a qualified service technician to inspect the appliance and to replace any part of the control system, and any gas control which has been under water.

Lighting Instructions:

1. **STOP!** Read the safety information above on this label.
2. Flip down the lower trims.
3. Turn switch on the gas control to "OFF".
4. Wait 5 minutes to clear out any gas. If you smell gas, **STOP!** Follow "B" in the safety information above on this label. If you don't smell gas, go to the next step.
5. Turn switch on the gas control to "ON". **NOTE:** This unit is equipped with an ignition system that lights the pilot burner automatically. **Do not attempt to light the pilot by hand.**
6. Turn on wall switch.
7. Flip up the lower trim.
8. If the fireplace does not operate, follow the instructions "To Turn Off Gas To Appliance" and call your service technician or gas supplier.



To Turn Off Gas To Appliance:

1. Turn off remote switch.
2. Flip down the lower trim.
3. Turn the switch on the gas control to "Off".
4. Flip up the trim.

Maintenance



Lighting Instructions

See pages 14 to 16.

General

- **Have the fireplace and installation inspected yearly.** The inspection must include, but is not limited to, the following:
 - • A visual check of the entire vent system and termination.
 - • An inspection of the explosion relief flappers and the door gaskets to ensure a proper seal.
 - • An inspection of the burner, vent run, and primary air openings.
 - • An inspection of the gas valve, gas components, and pilot flame. For your convenience a 1/8" manifold pressure tap is supplied on the gas valve for a test gauge connection.
 - • Ensure proper log placement as per this manual.
 - • Inspection of all optional equipment; fans, thermostats, etc.
- For **Natural Gas** this appliance requires a minimum inlet pressure of 5.5" W.C. and a manifold pressure of 3.5" W.C.
- For **Propane Gas** this appliance requires a minimum inlet pressure of 11" W.C. and a manifold pressure of 10" W.C.
- Always keep the fireplace area clear and free of combustible materials, as well as gasoline and other flammable vapours and liquids.
- Do not use this appliance if *any part has been under water*. Immediately call a qualified service technician to inspect the appliance and to replace any part of the control system and any gas control which has been under water.

Cleaning

When the fireplace is first activated, there may be some smoking and a visible film may be left on the glass. This is a normal condition, and is the result of burning of protective coatings on new metal.

- Glass must be cleaned periodically to remove any film (which is a normal by-product of combustion) which may be visible. Film can easily be removed by removing the door, as shown on **Page 10**. Handle the door carefully, and clean it with non-abrasive glass cleaners. One of the most effective products is Kel Kem.
- Silicone seals on inner door during initial firing will "off gas", leaving a visual deposit of a white substance on combustion chamber walls. This can easily be removed using normal household products.
- Use a vacuum cleaner or whisk broom to keep the control compartment, burner, and firebox free from dust and lint.
- Logs may be cleaned periodically with a vacuum to remove soot or other contaminants.

CAUTION!

- Fireplace gas control must be in the "OFF" position and pilot and main burners extinguished when cleaning appliance with a vacuum.
- Doors can get very hot. Handle only when cool.

Burner Adjustment

The H-Series VO is equipped with an adjustable burner, allowing you to raise or lower the flames. To adjust the flames, locate the black knob marked 'Hi-Lo', in the centre of the gas control valve (See Figure 11). The front burners are not adjustable.

- To raise the flame height, turn the black knob (located behind the lower trim) **counterclockwise**.
- To lower the flame height, turn **clockwise**.

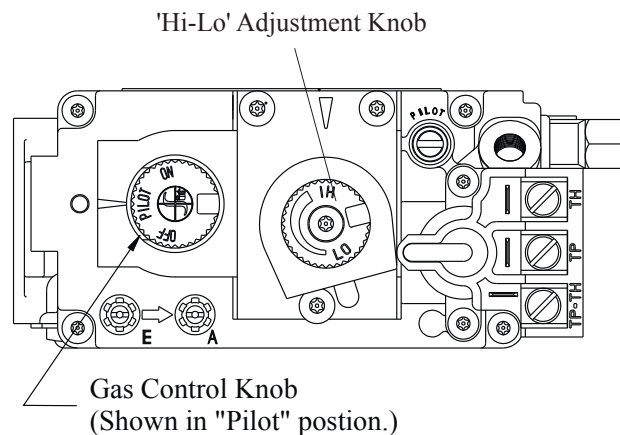


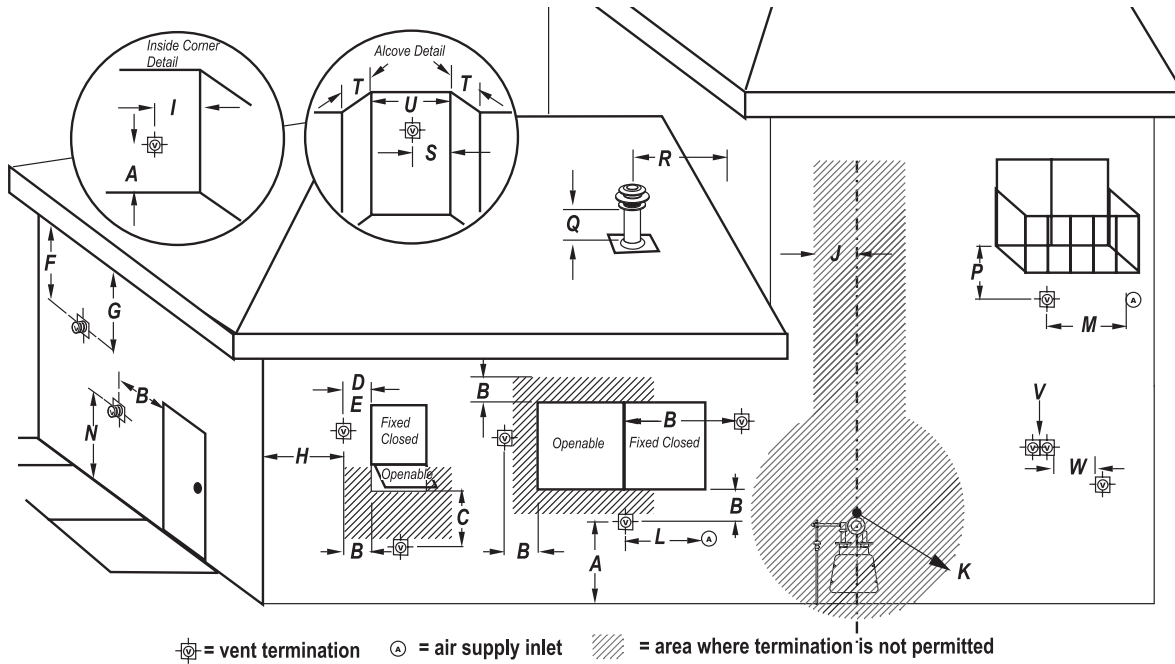
Figure 12. 'Hi-Lo' Adjustment on the H-Series VO's gas valve.



Replacement Parts

	H34VO	H38VO	H42VO
NG Gas Valve	RGC1006	RGC1006	RGC1006
LP Gas Valve	RGC1005	RGC1005	RGC1005
NG Pilot	RPA020	RPA020	RPA020
LP Pilot	RPA021	RPA021	RPA021
Burner NG	RBH3401	RBH3801	RBH4201
Burner LPG	RBH3402	RBH3802	RBH4202
Orifice NG	ROR1135	ROR1137	ROR1139
Orifice LPG	ROR1136	ROR1138	ROR1140
Door	RDTH34SS	RDTH38SS	RDTH42SS
Log Set	RLGSH34	RLGSH38	RLGSH42
Log Base	RLGSH34B	RLGSH38B	RLGSH42B

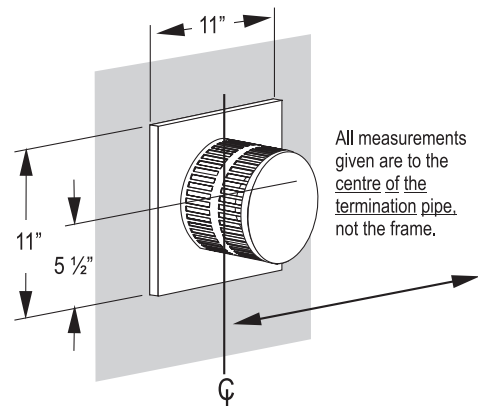
Appendix



= vent termination
 = air supply inlet
 = area where termination is not permitted

- A** = clearance to the termination frame above grade, veranda, porch, deck, or balcony [16 inches (41 cm) minimum]
- B** = clearance to door, or sides and top of window, that may be opened [16 inches (41 cm) minimum for appliances $\leq 100\,000$ BTU/H (30kW)]
- C** = clearance to bottom of window that may be opened horizontally [36 inches (92 cm) minimum for appliances $\leq 100\,000$ BTU/H (30kW)]
- D** = no clearance to permanently closed window when installed with approved glass penetration termination
- E** = clearance to permanently closed window [16 inches 41 cm recommended to prevent condensation on window]
- F** = vertical clearance to ventilated soffit located above the termination within a horizontal distance of 2 feet (61 cm) from the centreline of the termination [22 inches (56 cm) minimum]
- G** = clearance to unventilated soffit [16 inches (41 cm) minimum to non-combustibles] [22 inches (56 cm) minimum to combustibles]
- H** = clearance to outside corner [9 inches (23 cm) minimum]
- I** = clearance to inside corner [12 inches (31 cm) minimum]
- J** = * not to be installed above a meter/regulator assembly within 40" (103 cm) horizontally from the centreline of the regulator
- K** = clearance to service regulator vent outlet [3 feet minimum in the United States] [*6 feet (1.8 m) minimum in Canada]
- L** = clearance to non-mechanical air supply inlet to building or the combustion air inlet to any other appliance [16 inches (41 cm) minimum for appliances $\leq 100\,000$ BTU/H (30kW)]
- M** = clearance to mechanical air supply inlet [*6 feet (1.8 m) minimum]
- N** = † clearance above paved sidewalk or a paved driveway located on public property [*7 feet (2.1 m) minimum]
- P** = clearance under veranda, porch, deck, or balcony [16 inches (41 cm) minimum‡ to non-combustibles] [22 inches (56 cm) minimum‡ to combustibles]

- Q** = clearance above a roof [24 inches (61 cm) minimum]
- R** = clearance to adjacent walls and neighboring buildings [18 inches (46 cm) minimum]
- S** = clearance from corner in recessed location [12 inches (31 cm) minimum]
- T** = maximum depth in recessed location [48 inches (122 cm) minimum]
- U** = minimum width for back wall of recessed location [24 inches (61 cm) minimum]
- V** = no horizontal clearance between the frames of two terminations that are level.
- W** = horizontal clearance between the frames of two terminations that are not level. [36 inches (92 cm) minimum]
- † a vent shall not terminate directly above a sidewalk or paved driveway which is located between two single family dwellings and serves both dwellings
- ‡ only permitted if veranda, porch, deck, or balcony has an open side that is equal to or greater than the depth of the enclosed area
- * as specified in CGA B149 Installation Codes. Note: local Codes or Regulations may require different clearance.



Appendix

Appendix B Warranty:

The Warranty

The Companies warrants the Montigo Gas Appliance to be free from defects in materials and workmanship at the time of manufacture. On the Montigo fireplace, there is a ten-year warranty on the firebox and its components, a five-year warranty on the main burner and pilot burner, and a one-year warranty on the gas control valve, fibre logs and Power Vent Module. The Glass, plated / painted finishes, and refractory lining are exempt from the warranty.

Remedy And Exclusions

The coverage of this Warranty is limited to all components of the Gas Appliance manufactured by The Companies.

This Warranty only covers Montigo Gas Appliances installed in the United States or Canada.

If the components of the Gas Appliance covered by this Warranty are found to be defective within the time frame stated (see The Companies right of investigation outlined below). The Companies will, at its option, replace or repair defective components of the Gas Appliance manufactured by The Companies at no charge, and will also pay for reasonable labour costs incurred in replacing or repairing components. If repair or replacement is not commercially practical, The Companies will, at its option, refund the purchase price of the Montigo Gas Appliance.

This Warranty covers only parts and labour as provided above. In no case shall The Companies be responsible for materials, components, or construction which are not manufactured or supplied by The Companies, or for the labour necessary to install, repair or remove such materials, components or construction. All replacement or repair components will be shipped F.O.B. the nearest The Companies factory.

Qualifications To The Warranty

The Gas Appliance Warranty outlined above is further subject to the following qualifications:

- (1) The Gas Appliance must be installed in accordance with The Companies installation instructions and local building codes. The Warranty on this Montigo Gas Appliance covers only the component parts manufactured by The Companies. The use of components manufactured by others with this Montigo Gas Appliance could create serious safety hazards, may result in the denial of certification by recognized national safety agencies, and could be in violation of local building codes. This warranty does not cover any damages occurring from the use of any components not manufactured or supplied by The Companies
- (2) The Montigo Gas Appliance must be subjected to normal use. The Gas Appliances are designed to burn gas only. Burning conventional fireplace fuels such as wood, coal or any other solid fuel will cause damage to the Gas Appliance, will produce excessive temperatures and will result in a fire hazard.

Limitations On Liability

It is expressly agreed and understood that The Companies sole obligation, and purchaser's exclusive remedy under this Warranty, under any other warranty, expressed or implied, or in contract, tort or otherwise, shall be limited to replacement, repair, or refund, as specified above.

In no event shall The Companies be responsible for any incidental or consequential damages caused by defects in its products, whether such damage occurs or is discovered before or after replacement or repair, and whether or not such damage is caused by The Companies negligence. Some states do not allow the exclusion or limitation of incidental or consequential damages, so the above limitation or exclusion may not apply to you. The duration of any implied warranty with respect to this Montigo Gas Appliance is limited to the duration of the foregoing warranty. Some states do not allow limitation on how long an implied warranty lasts, so the above may not apply to you.

Investigation Of Claims Against Warranty

The Companies reserves the right to investigate any and all claims against this Warranty and to decide upon method of settlement.

The Companies Are Not Responsible For Work Done Without Written Consent

The Companies shall in no event be responsible for any warranty work done without first obtaining The Companies written consent.

Dealers Have No Authority To Alter This Warranty

The Companies employees and dealers have no authority to make any warranties nor to authorize any remedies in addition to or inconsistent with those stated above.

How To Register A Claim Against Warranty

In order for any claim under this Warranty to be valid, The Companies must be notified of the claimed defect in writing or by telephone, as soon as reasonably possible after the defect is discovered. Claims against this Warranty in writing should include the date of installation, and a description of the defect.

Other Rights

This Warranty gives you specific legal rights, and you may also have other rights which vary from state to state.

NOTE: *The Companies* as stated above refer to - Canadian Heating Products Inc. and/or Montigo Del Ray Corp.

Canadian Heating Products Inc. and/or Montigo DelRay Corp. reserves the right to make changes at any time, without notice, in design, materials, specifications, prices and also to discontinue colors, styles and products.

Appendix

Appendix C: State of Massachusetts

Amendment

(Gas Fireplace / Equipment sold in the State of Massachusetts)

5.08: Modifications to NFPA-54, Chapter 10

(1) **Revise NFPA-54 section 10.5.4.2** by adding a second exception as follows:

Existing chimneys shall be permitted to have their use continued when a gas conversion burner is installed, and shall be equipped with a manually reset device that will automatically shut off the gas to the burner in the event of a sustained back-draft.

(2) **Revise 10.8.3** by adding the following additional requirements:

(a) For all side wall horizontally vented gas fueled equipment installed in every dwelling, building or structure used in whole or in part for residential purposes, including those owned or operated by the Commonwealth and where the side wall exhaust vent termination is less than seven (7) feet above finished grade in the area of the venting, including but not limited to decks and porches, the following requirements shall be satisfied:

1. INSTALLATION OF CARBON MONOXIDE DETECTORS. At the time of installation of the side wall horizontal vented gas fueled equipment, the installing plumber or gas fitter shall observe that a hard wired carbon monoxide detector with an alarm and battery back-up is installed on the floor level where the gas equipment is to be installed. In addition, the installing plumber or gas fitter shall observe that a battery operated or hard wired carbon monoxide detector with an alarm is installed on each additional level of the dwelling, building or structure served by the side wall horizontal vented gas fueled equipment. It shall be the responsibility of the property owner to secure the services of qualified licensed professionals for the installation of hard wired carbon monoxide detectors

a. In the event that the side wall horizontally vented gas fueled equipment is installed in a crawl space or an attic, the hard wired carbon monoxide detector with alarm and battery back-up may be installed on the next adjacent floor level.

b. In the event that the requirements of this subdivision can not be met at the time of completion of installation, the owner shall have a period of thirty (30) days to comply with the above requirements; provided, however, that during said thirty (30) day period, a battery operated carbon monoxide detector with an alarm shall be installed.

2. APPROVED CARBON MONOXIDE DETECTORS. Each carbon monoxide detector as required in accordance with the above provisions shall comply with NFPA 720 and be ANSI/UL 2034 listed and IAS certified.

3. SIGNAGE. A metal or plastic identification plate shall be permanently mounted to the exterior of the building at a minimum height of eight (8) feet above grade directly in line with the exhaust vent terminal for the horizontally vented gas fueled heating appliance or equipment. The sign shall read, in print size no less than one-half (1/2) inch in size, "GAS VENT DIRECTLY BELOW. KEEP CLEAR OF ALL OBSTRUCTIONS".

4. INSPECTION. The state or local gas inspector of the side wall horizontally vented gas fueled equipment shall not approve the installation unless, upon inspection, the inspector observes carbon monoxide detectors and signage installed in accordance with the provisions of 248 CMR 5.08(2)(a)1 through 4.

(b) **EXEMPTIONS:** The following equipment is exempt from 248 CMR 5.08(2)(a)1 through 4:

1. The equipment listed in Chapter 10 entitled "Equipment Not Required To Be Vented" in the most current edition of NFPA 54 as adopted by the Board; and

2. Product Approved side wall horizontally vented gas fueled equipment installed in a room or structure separate from the dwelling, building or structure used in whole or in part for residential purposes.

(c) MANUFACTURER REQUIREMENTS - GAS EQUIPMENT VENTING SYSTEM PROVIDED. When the manufacturer of Product Approved side wall horizontally vented gas equipment provides a venting system design or venting system components with the equipment, the instructions provided by the manufacturer for installation of the equipment and the venting system shall include:

1. Detailed instructions for the installation of the venting system design or the venting system components; and

2. A complete parts list for the venting system design or venting system.

(d) MANUFACTURER REQUIREMENTS - GAS EQUIPMENT VENTING SYSTEM NOT PROVIDED. When the manufacturer of a Product Approved side wall horizontally vented gas fueled equipment does not provide the parts for venting the flue gases, but identifies "special venting systems", the following requirements shall be satisfied by the manufacturer:

1. The referenced "special venting system" instructions shall be included with the appliance or equipment installation instructions; and

2. The "special venting systems" shall be Product Approved by the Board, and the instructions for that system shall include a parts list and detailed installation instructions.

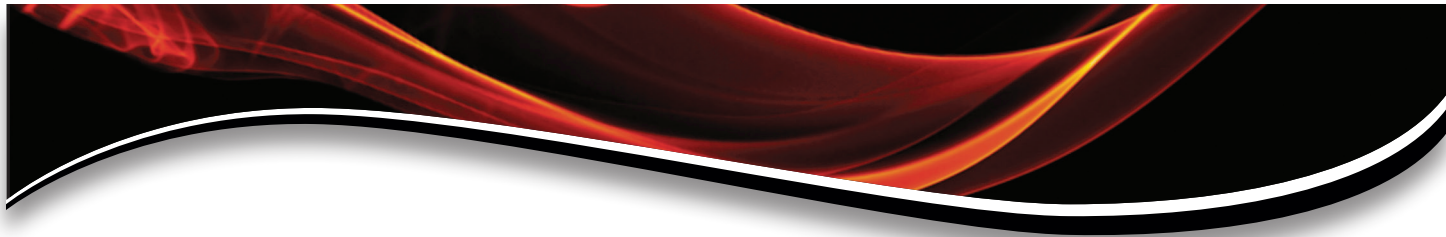
(e) A copy of all installation instructions for all Product Approved side wall horizontally vented gas fueled equipment, all venting instructions, all parts lists for venting instructions, and/or all venting design instructions shall remain with the appliance or equipment at the completion of the installation.

(3) **After NFPA-54 section 10.10.4.2** add a new section 10.10.4.3 as follows:

When more than four gas appliances are to be vented through a common gas vent or common horizontal vent manifold, a plan of the proposed vent installation shall be submitted to the Inspector and the serving gas supplier for review and approval.

Extraction from: Massachusetts Rules and Regulations

5.00: Amendments To 2002 Edition Of ANSI Z223.1-NFPA-54



H-Series V0
Outdoor Gas Fireplace

