

# INSTALLATION INSTRUCTIONS

**INSTALLER:** Leave this manual with the appliance.  
**CONSUMER:** Retain this manual for future reference.

**WARNING:** If the information in these instructions is not followed exactly, a fire or explosion may result causing property damage, personal injury or death.

## FOR YOUR SAFETY

Do not store or use gasoline or other flammable vapors and liquids in the vicinity of this or any other appliance.

## WHAT TO DO IF YOU SMELL GAS

- Do not try to light any appliance.
- Do not touch any electrical switch.
- Do not use any phone in your building.
- Immediately call your gas supplier from a neighbour's phone. Follow the gas supplier's instructions.
- If you cannot reach your gas supplier call the fire department.

Installation and service must be performed by a qualified installer, service agency or the gas supplier.

This appliance may be installed in an aftermarket permanently located, manufactured home (USA only) or mobile home, where not prohibited by local codes.

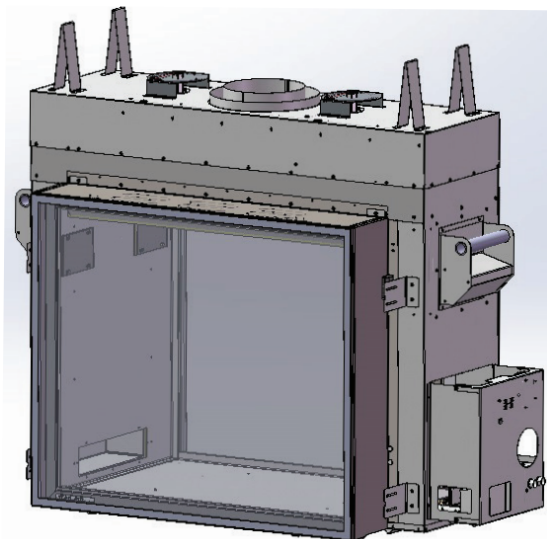
This appliance is only for use with the type of gas indicated on the rating plate. This appliance is not convertible for use with other gases, unless a certified kit is used.

This appliance is suitable for installation in a bedroom or bed sitting room



TOWN & COUNTRY  
LUXURY FIREPLACES

## TC36STD2 SEE THRU INSTALLATION INSTRUCTIONS




MODEL  
**TC36ST**  
SERIES D2  
MODULAR DIRECT VENT  
SEE-THRU FIREPLACE




Visit [www.townandcountryfireplaces.com](http://www.townandcountryfireplaces.com) for the most recent version of this manual

# Table of Contents

Caution .....	3	Venting .....	19
Safety .....	3	Wall Termination Venting .....	19
Important Note for the Commonwealth of Massachusetts:.....	4	Wall Termination Venting Chart .....	22
Fireplace Dimensions .....	5	Roof Termination Venting Chart .....	23
Minimum Clearances to Combustible Material .....	5	Vent Terminal Clearance .....	26
Installation Requirements .....	6	Vent Terminal Minimum Clearances .....	26
Manufactured (Mobile) Home .....	6	Vent Pipe Sealant .....	27
Window Frame Removal .....	6	Vent Restrictor Adjustment .....	28
Top Standoffs .....	7	Wall Shield Ceiling Firestop Thimble.....	29
Locating The Fireplace .....	7	Wall Termination Kit .....	29
Framing and Finishing .....	8	Roof Termination Kit .....	29
Minimum Combustible Framing Dimensions .....	9	Vent Pipe Dimensions .....	30
TC36 Steel Stud Framing Kit .....	10	Vent Offset Chart .....	31
Fixed Lintel .....	13	Firebox Panels Installation .....	32
Hearth Extension .....	14	Finishing Touch Trim Kit Instructions .....	33
Electrical .....	15	Lighting Instructions .....	34
Wall Switch and Remote Control .....	16	Maintenance .....	35
Selecting Natural Vent and Power Vent Modes .....	16	TC36.DST Replacement Parts .....	36
Home Automation .....	17	Replacement Parts – Control System .....	37
Gas Supply .....	18	Wiring Diagram .....	38
Gas Pressure Check .....	18	Rating Label Location .....	39


DANGER



**HOT GLASS WILL CAUSE  
BURNS.**

**DO NOT TOUCH GLASS UNTIL  
COOLED.**

**NEVER ALLOW CHILDREN TO  
TOUCH GLASS.**

**A barrier designed to reduce the risk of burns from the hot viewing glass is provided with the appliance and shall be installed for the protection of children and other at-risk individuals.**

---

## Caution

---

FOR YOUR SAFETY - Do not install or operate your Town & Country fireplace without first reading and understanding this manual. Any installation or operational deviation from the following instructions voids the Town & Country Fireplaces™ Warranty and may prove hazardous.

This appliance and its individual shut off valve must be disconnected from gas supply piping system during any pressure testing of that system at test pressures in excess of 1/2 psig (3.5 kPa).

This appliance must be isolated from the gas supply piping system by closing its individual manual shut off valve during any pressure testing of the gas supply piping system at test pressures equal to or less than 1/2 psig (3.5 kPa).

Note: When lit for the first time, the appliance will emit a slight odour for a couple of hours. This is due to the curing of paints, sealants and lubricants used in the manufacturing process. This condition is temporary. Open doors and windows to ventilate area. Smoke and fumes caused by the curing process may cause discomfort to some individuals.

Do not use the fireplace if any part has been under water. Immediately call a qualified service technician to inspect the fireplace and to replace any part of the control system and any gas control which has been under water.



We recommend that our gas hearth products be installed and serviced by professionals who are certified in the United States by the National Fireplace Institute® (NFI) as NFI Gas Specialists

---

## Safety

---

Due to high temperatures, this gas appliance should be located out of traffic and away from furniture and draperies.

Children and adults should be alerted to the hazards of high surface temperatures and should stay away to avoid burns or clothing ignition.

Young children should be carefully supervised when they are in the same room as the appliance. Toddlers, young children, and others may be susceptible to accidental contact burns. A physical barrier is recommended if there are at-risk individuals in the house. To restrict access to a fireplace or stove, install an adjustable safety gate to keep toddlers, young children, and other at-risk individuals out of the room and away from hot surfaces.

Clothing or other flammable material should not be placed on or near the appliance.

Any grill, panel or door removed for servicing the unit must be replaced prior to operating. Failure to do so may create a hazardous condition.

Installation and repair should be done by a qualified service person. The appliance should be inspected before use and at least annually by a professional service person. More frequent cleaning may be required due to excessive lint from carpeting, bedding material, etc. It is imperative that control compartments, burners and circulating air passageways of the appliance be kept clean.

It is our policy that no responsibility is assumed by the Company or by any of its employees or representatives for any damages caused by an inoperable, inadequate, or unsafe condition which is the result, either directly or indirectly, of any improper operation or installation procedures.

This appliance must not be connected to a chimney flue serving a separate solid fuel burning appliance.

# Important Note for the Commonwealth of Massachusetts:

From Massachusetts Rules and Regulations 248 CMR 5.08:

- (a) For all side wall horizontally vented gas fuelled equipment installed in every dwelling, building or structure used in whole or in part for residential purposes, including those owned or operated by the Commonwealth and where the side wall exhaust vent termination is less than seven (7) feet above finished grade in the area of the venting, including but not limited to decks and porches, the following requirements shall be satisfied.
1. **INSTALLATION OF CARBON MONOXIDE DETECTORS.** At the time of installation of the side wall horizontal vented gas fuelled equipment, the installing plumber or gas fitter shall observe that a hard wired carbon monoxide detector with an alarm and battery back-up is installed on the floor level where the gas equipment is to be installed, in addition, the installing plumber or gas fitter shall observe that a battery operated or hard-wired carbon monoxide detector with an alarm is installed on each additional level of the dwelling, building or structure served by the side wall horizontal vented gas fuelled equipment. It shall be the responsibility of the property owner to secure the services of qualified licensed professionals for the installation of hard-wired carbon monoxide detectors.
    - a. In the event that the side wall horizontally vented gas fuelled equipment is installed in a crawl space or an attic, the hard-wired carbon monoxide detector with alarm and battery back-up may be installed on the next adjacent floor level.
    - b. In the event that the requirements of this subdivision cannot be met at the time of completion of installation, the owner shall have a period of thirty (30) days to comply with the above requirements; provided, however, that during said thirty (30) day period, a battery operated carbon monoxide detector with an alarm shall be installed.
  2. **APPROVED CARBON MONOXIDE DETECTORS.** Each carbon monoxide detector as required in accordance with the above provisions shall comply with NFPA 720 and be ANSI/UL 2034 listed as IAS certified.
  3. **SIGNAGE.** A metal or plastic identification plate shall be permanently mounted to the exterior of the building at a minimum height of eight (8) feet above grade directly in line with the exhaust vent terminal for the horizontally vented gas fuelled heating appliance or equipment. The sign shall read, in print size no less than one-half (1/2) inch in size, "GAS VENT DIRECTLY BELOW. KEEP CLEAR OF ALL OBSTRUCTIONS".
  4. **INSPECTION.** The state or local gas inspector of the side wall horizontally vented gas fuelled equipment shall not approve the installation unless, upon inspection, the inspector observes carbon monoxide detectors and signage installed in accordance with the provisions of 248 CMR 5.089(2) (a) 1 through 4.
- (b) **EXEMPTIONS.** The following equipment is exempt from 248 CMR 5.089(2)(a) 1 through 4.
1. The equipment listed in Chapter 10 entitled "Equipment Not Required To Be Vented" in the most current edition of NFPA 54 as adopted by the Board; and
  2. Product Approved side wall horizontal vented gas fuelled equipment installed in a room or structure separate from the dwelling, building or structure used in whole or in part for residential purposes.
- (c) **MANUFACTURER REQUIREMENTS – GAS EQUIPMENT VENTING SYSTEM PROVIDED.** When the manufacturer of Product Approved side wall horizontally vented gas equipment provides a venting system design or venting system components with the equipment, the instructions provided by the manufacturer for installation of the equipment and the venting system shall include:
1. Detailed instructions for the installation of the venting system design or the venting system components; and
  2. A complete parts list for the venting system design or venting system.
- (d) **MANUFACTURER REQUIREMENTS – GAS EQUIPMENT VENTING SYSTEM NOT PROVIDED.** When the manufacturer of a Product Approved side wall horizontally vented gas fuelled equipment does not provide the parts for venting the fuel gases, but identifies "special venting systems", the following requirements shall be satisfied by the manufacturer.
1. The referenced "special venting system" instructions shall be included with the appliance or equipment installation instructions; and
  2. The "special venting systems" shall be Product Approved by the Board, and the instructions for that system shall include a parts list and detailed installation instructions.
- (e) A copy of all installation instructions for all Product Approved side wall horizontally vented gas fuelled equipment, all venting instructions, all parts lists for venting instructions, and/or all venting design instructions shall remain with the appliance or equipment at the completion of the installation.

# Fireplace Dimensions

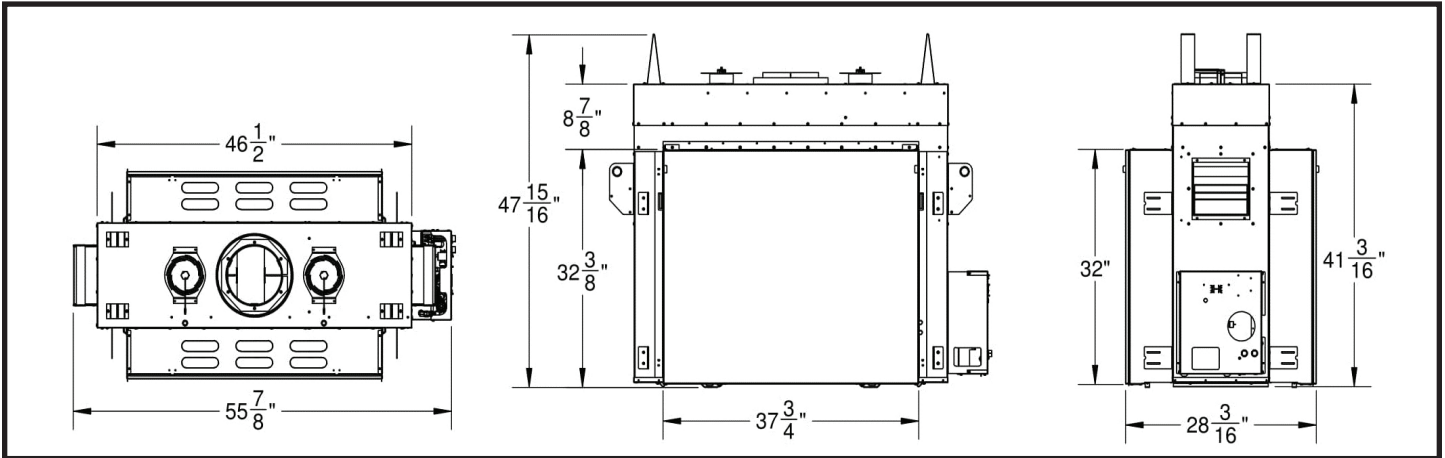


Figure 1: TC36ST Overall dimensions.

## Minimum Clearances to Combustible Material

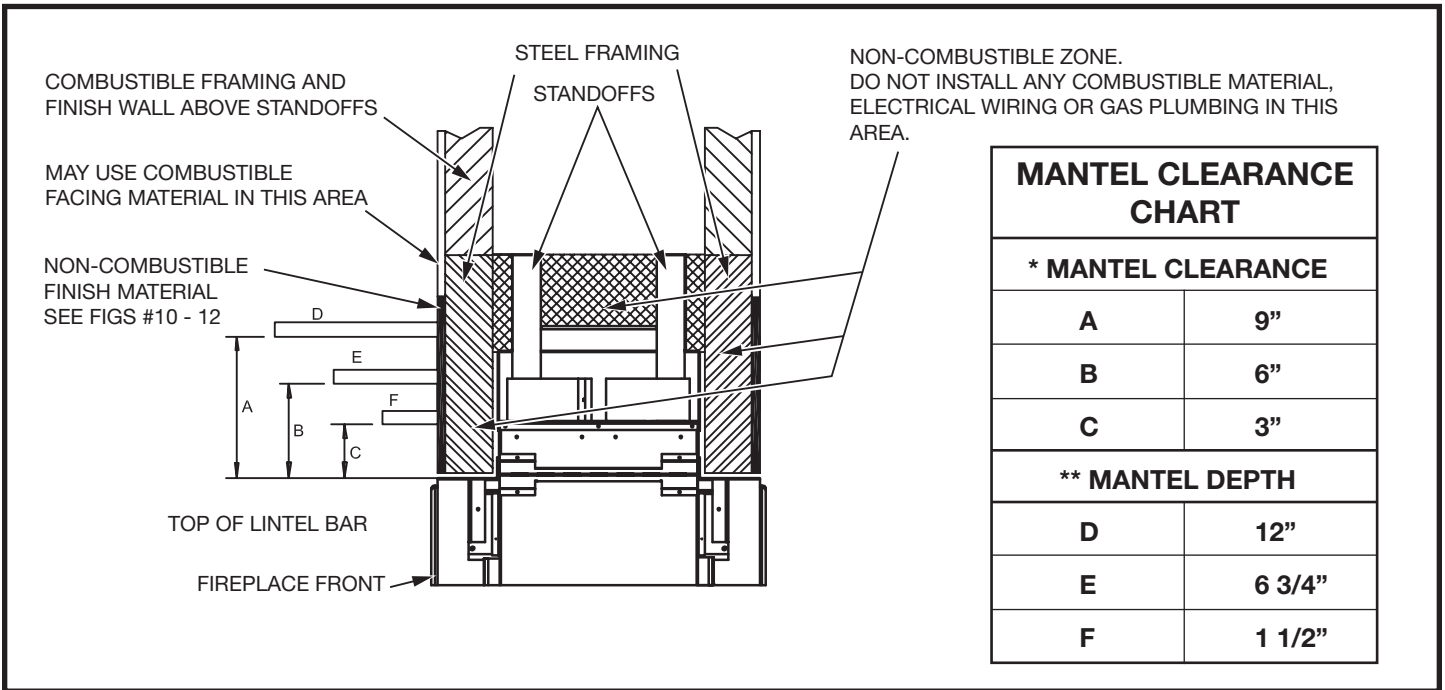
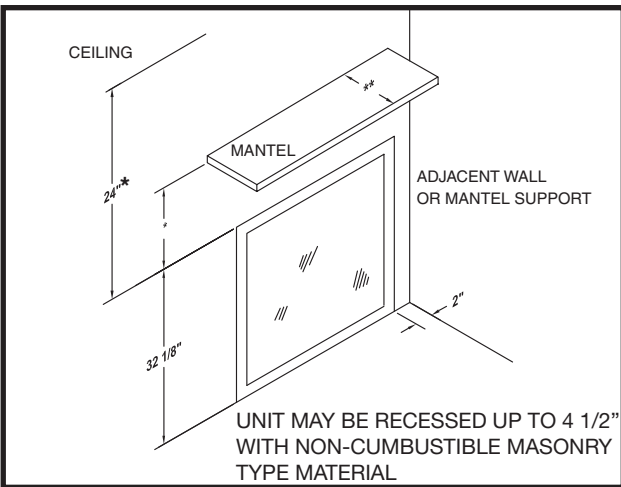


Figure 2: TC36ST Mantel clearances.



**Minimum Clearances:**

Side standoffs .....	0 in.	(0 mm)
Back standoffs .....	0 in.	(0 mm)
Top standoffs .....	0 in.	(0 mm)
Bottom of appliance .....	0 in.	(0 mm)
Adjacent side wall .....	2 in.	(51 mm)
Ceiling to appliance .....	24 in.	(610 mm)
*Mantel to appliance .....	See Figure #2	
**Maximum Mantel extension .....	See Figure #2	
Mantel support .....	2 in.	(51 mm)
Vertical vent pipe .....	1 3/4 in.	(45 mm)
Horizontal Vent pipe (Top, sides and bottom) ...	1 3/4 in.	(45 mm)

Figure 3: TC36ST Mantel.

## Installation Requirements

The Town & Country Fireplace installation and venting must conform to the current CAN/CGA-B149 installation code (in Canada) or the current National Fuel Gas Code, ANSI Z223.1 (in the USA), and approved per local codes. Only qualified (licensed or trained) personnel should install this product.

In the state of Massachusetts, only a licensed Plumber and Gas Fitter may install this product.

## Manufactured (Mobile) Home

In some jurisdictions, the Town & Country Fireplace may be installed in Manufactured Homes after the "first sale". Consult local codes for approval. The fireplace must be fastened in place.

Install in accordance with the current standard Mobile Homes, CAN/CSA Z240 MH (in CANADA), and the Manufacturer's Home Construction and Safety Standard, Title 24 CFR, Part 3280 or the current Standard for Fire Safety Criteria for Manufactured Home Installations, Sites and Communities ANSI/NFPA 501A (in the USA).

## Window Frame Removal

**Warning: Turn off the fireplace, and allow ample time for the unit to cool before proceeding.**

Caution: The ceramic glass is very fragile, and should be handled with care.

The window frame is held in place by two spring-loaded latches that are operated by a one-piece latch handle.

1. Remove safety barrier screen (Figure 4) by prying the top portion of the screen toward you, then lift the screen from its tabs (inset) located at the base of the window frame.
2. Remove the TC Finishing Touch Trim Kit from the window frame. (If installed)
3. Using a screwdriver (Figure 5) or other similar object, push against the notch in the top of the latch and grab the bottom of the latch handle as it protrudes (Figure 6). Lift handle until latch hook disengages. Repeat for other side while holding glass so it does not tip out.
4. Tilt the top of the window frame out to clear the top edge of the unit. Grasp the sides of the frame and lift up and out to disengage from its bottom track.
5. Place the window frame in a safe place to avoid damage.
6. Re-assemble in reverse order. Latch handle should snap into place and be flush with window frame when engaged correctly.
7. Reinstall Trim Kit if required.
8. Reinstall the safety barrier screen.

**TIP:**

To ensure glass door is properly latched, grasp the top left and right sides of the glass frame. Under moderate pressure it should pull forward and return to original position evenly on both sides.

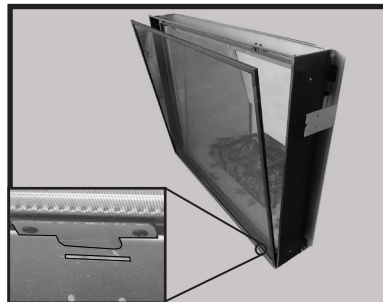


Figure 4: Safety barrier screen.



Figure 5: Accessing handle.

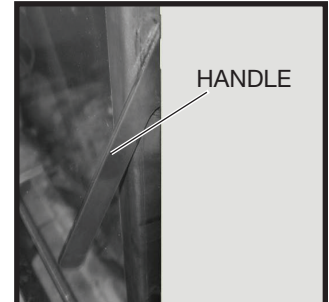


Figure 6: Handle.

---

## Top Standoffs

---

The top standoffs are shipped loose inside the fireplace and must be installed on top of the fireplace (Figure 7). Do this once the fireplace is on site and in position.

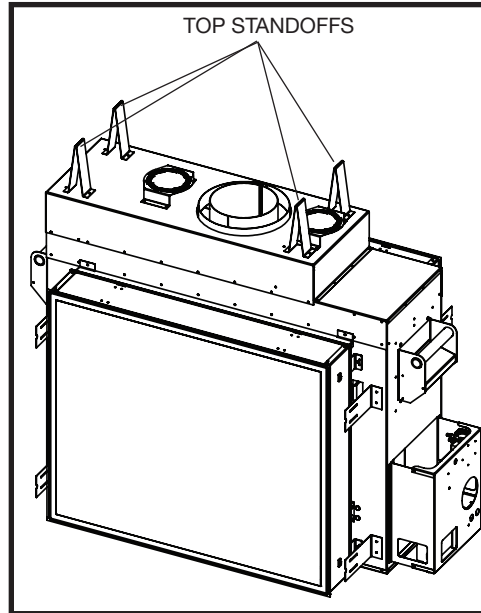


Figure 7: TC36ST Standoffs.

---

## Locating The Fireplace

---

In planning the installation for the fireplace, it is necessary to determine where the unit is to be installed, location of vent system and where gas supply piping may be plumbed. Various installations are possible, such as, into an existing wall, a corner, a built-in wall or a wall projection (Figure 8). Due to high temperatures, do not locate this fireplace in areas of high traffic or near furniture or draperies.

**The minimum clearances from the fireplace to combustible surfaces must be adhered to as described in Figure 2 & Figure 3.**

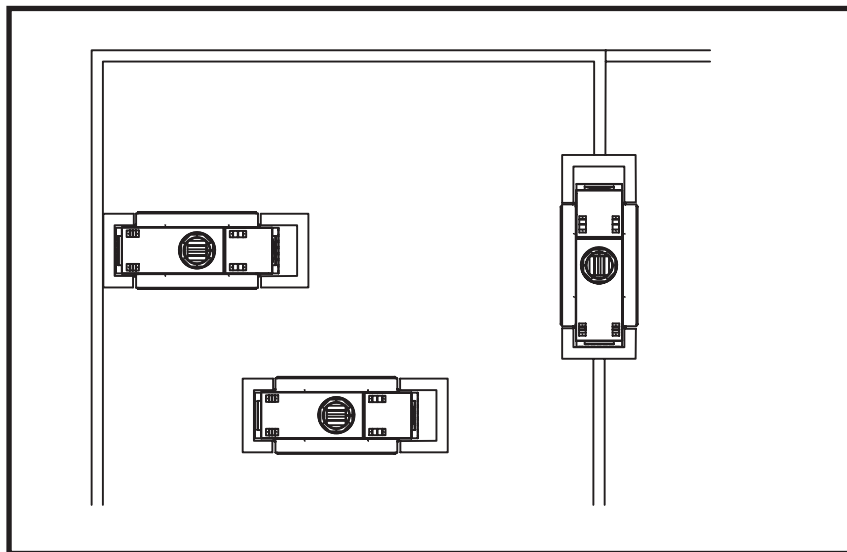


Figure 8: TC36ST Possible locations.

## Framing and Finishing

Note: The fireplace should be in place and venting installed before framing in or building an enclosure around the unit.

The Town & Country fireplace must be framed in as described below or totally enclosed with non-combustible material, such as facing brick.

Determine the total thickness of facing material to be used. A thickness of 3/4" will allow the finishing surface to be flush with the front of the unit. If preferred, additional masonry type non-combustible material can be installed above and to the sides up to 4 1/2 inches proud of the appliance.

The finishing material must not interfere with glass frame access.

Two Steel Stud Framing Kits are supplied with the fireplace and must be used unless the fireplace is totally enclosed with non-combustible material. Assemble the framing kit as per the instructions on pages 10 & 11 of this manual. Attach the steel frame to the fireplace once the

fireplace is in its final position. Secure the steel frame to the framing brackets on each side of the unit. Ensure that the studs are set back far enough to allow for thickness of finishing surface.

The sides, back and top of the fireplace can be framed in up to the steel studs and the fireplace standoffs using conventional lumber. Consult local building codes for specific requirements.

Due to high temperatures, non-combustible backer board, such as cement board or its equivalent, must be used to sheet in the front of the fireplace, extending 12" above and 9 3/4" to the side of the framing edge bars (Figure 10). Standard sheet rock (dry wall) may be used beyond this.

If the backer board is not to be finished with other non-combustible material such as tiles, it is recommended that the instructions in (Figure 12) be followed closely.

**Chase Insulation:** When installing this fireplace against a non-insulated exterior wall or chase, it is recommended that the outer walls be insulated to same degree as other exterior walls. Do not place fireplace directly against the insulation. Cover the insulation and plastic vapour barrier with a solid surface, such as dry wall (sheet rock). Consult local codes. Do not insulate or use plastic vapour barrier within the framing kit.

**CAUTION:** See Figure 12 BEFORE PROCEEDING.

### NOTE:

The chase must be properly sealed at the ceiling level or between floors in a multilevel installation.

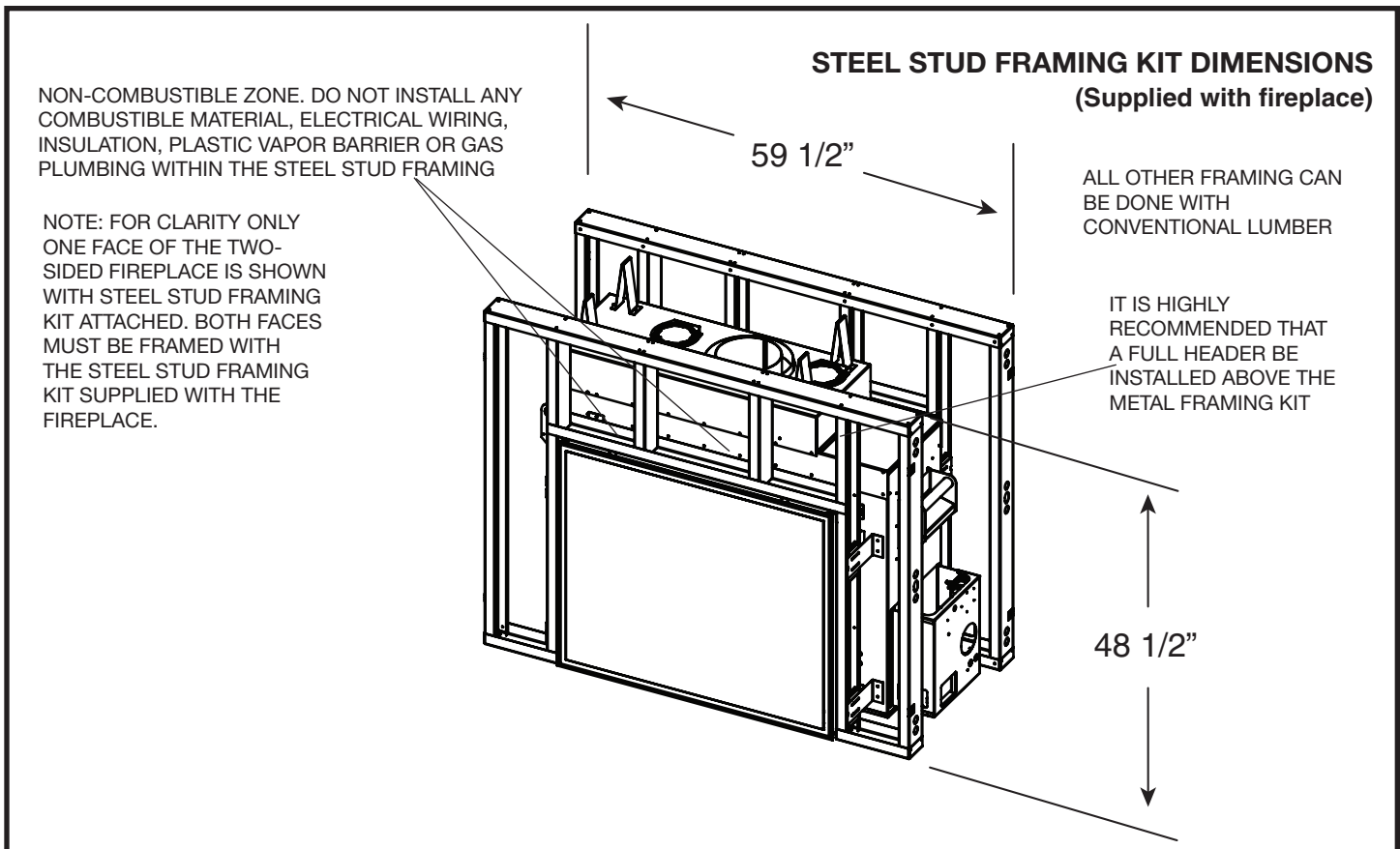


Figure 9: TC36ST With supplied steel frame.



# Minimum Combustible Framing Dimensions

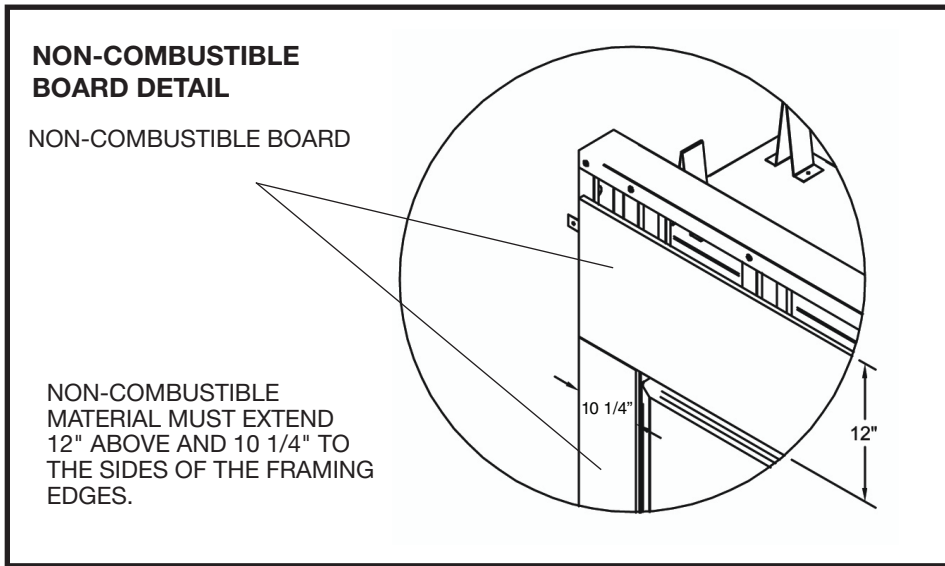


Figure 10: Non-combustible board dimensions.

If finishing the wall above the unit with paint, the framing kit shipped with the unit should be discarded. Use full sheets of calcium silicate board or equivalent and full length metal studs to finish and frame around the unit.

Calcium silicate board is a high grade material with cement, quartz and natural minerals as the main raw materials. (Note: Calcium Silicate is 1/2" thick)

**CAUTION:** Calcium Silicate board can be damaged if dropped or struck. Handle with care. Inspect board prior to installation and do not use if cracked.

**NOTE:** It is recommended to pre-drill mounting holes in the board prior to securing to the framing. This will prevent the board from cracking.

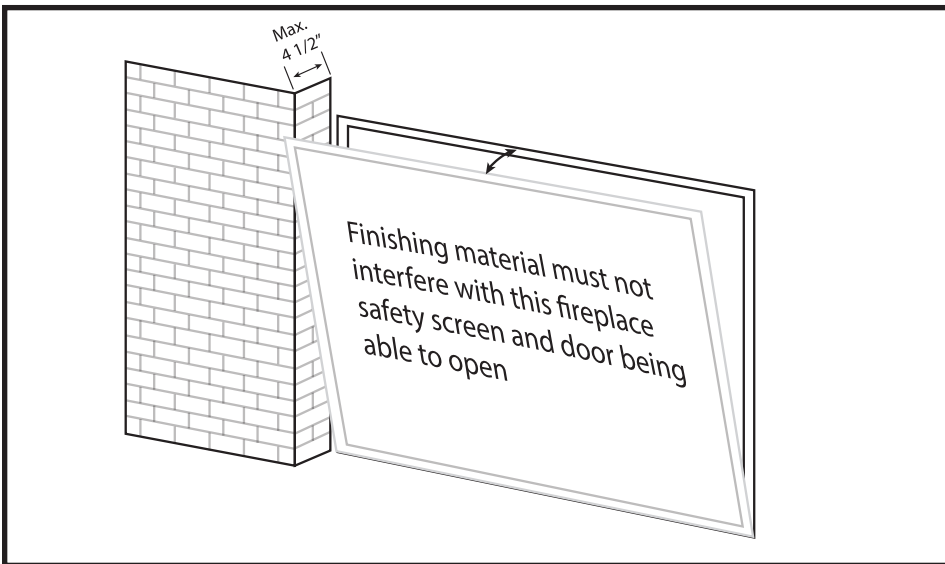


Figure 11: Recessed installation details.

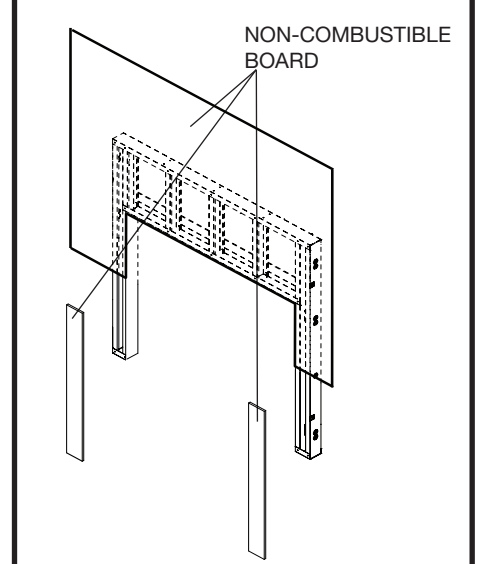


Figure 12: Non-combustible calcium silicate board..

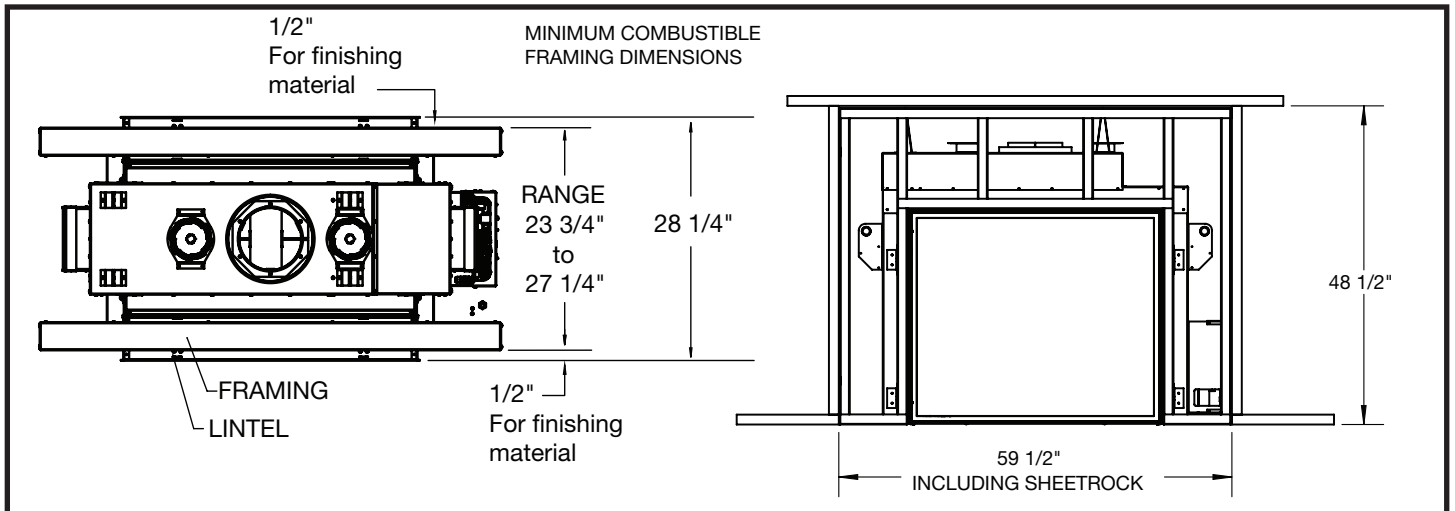


Figure 13: TC36ST Minimum combustible framing dimensions.

# TC36 Steel Stud Framing Kit

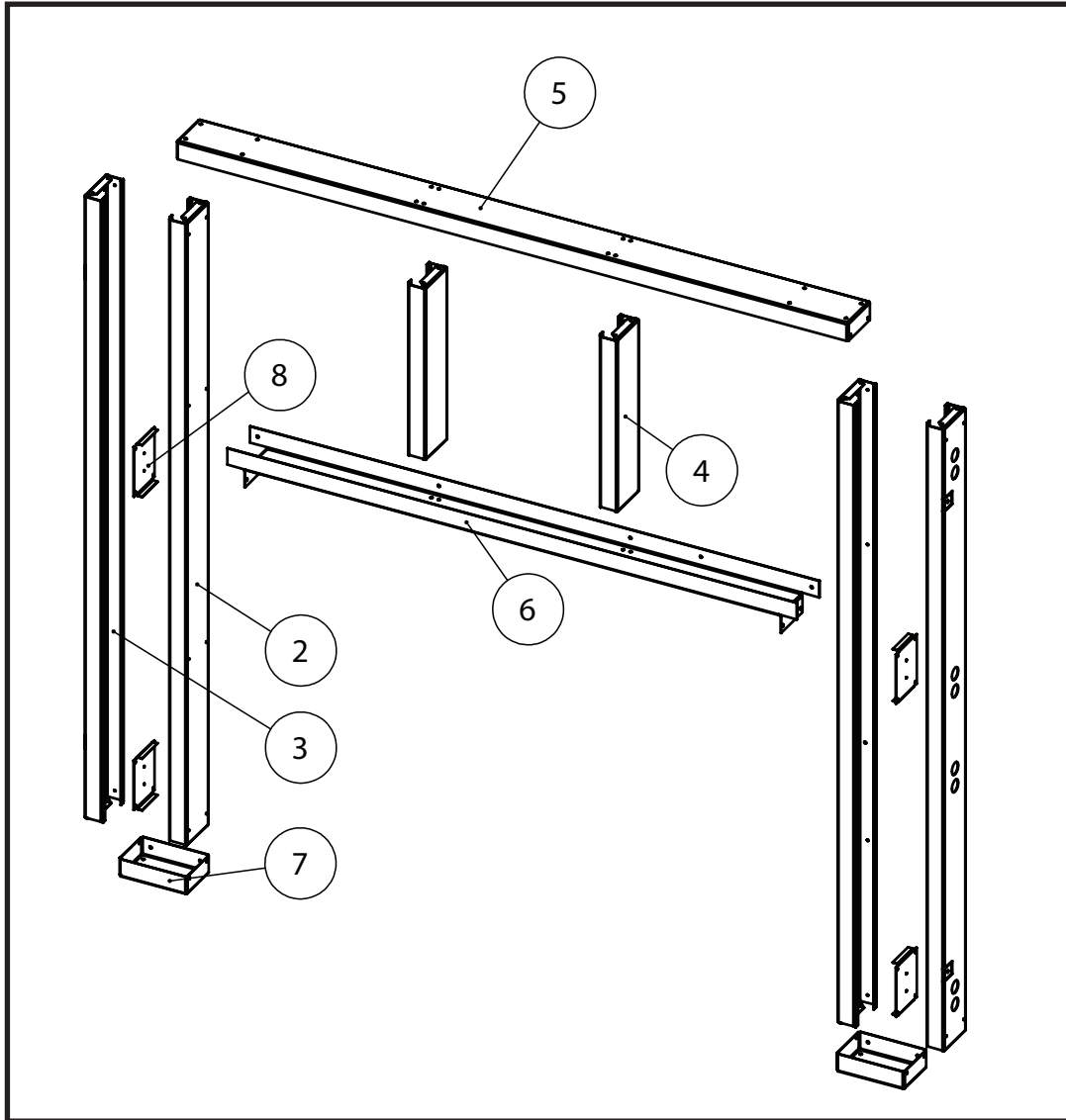


Figure 14: TC36ST Steel frame parts.

## Each Kit Contains:

Item	Description	Qty.
1	SCREW, TEKS #8 x 1/2 (Not shown)	Pkg 40
2	SIDE STUD, VERTICAL INNER 48 1/4"	2
3	SIDE STUD, VERTICAL OUTER 48 1/4"	2
4	STUD, CENTER 15 1/2" VERTICAL SHORT	2

Item	Description	Qty.
5	STUD, HEADER 59 1/2" HORIZONTAL	1
6	STUD PLATE 41 1/4" HORIZONTAL	1
7	BASE PLATE	2
8	FRAMING PLATE	4

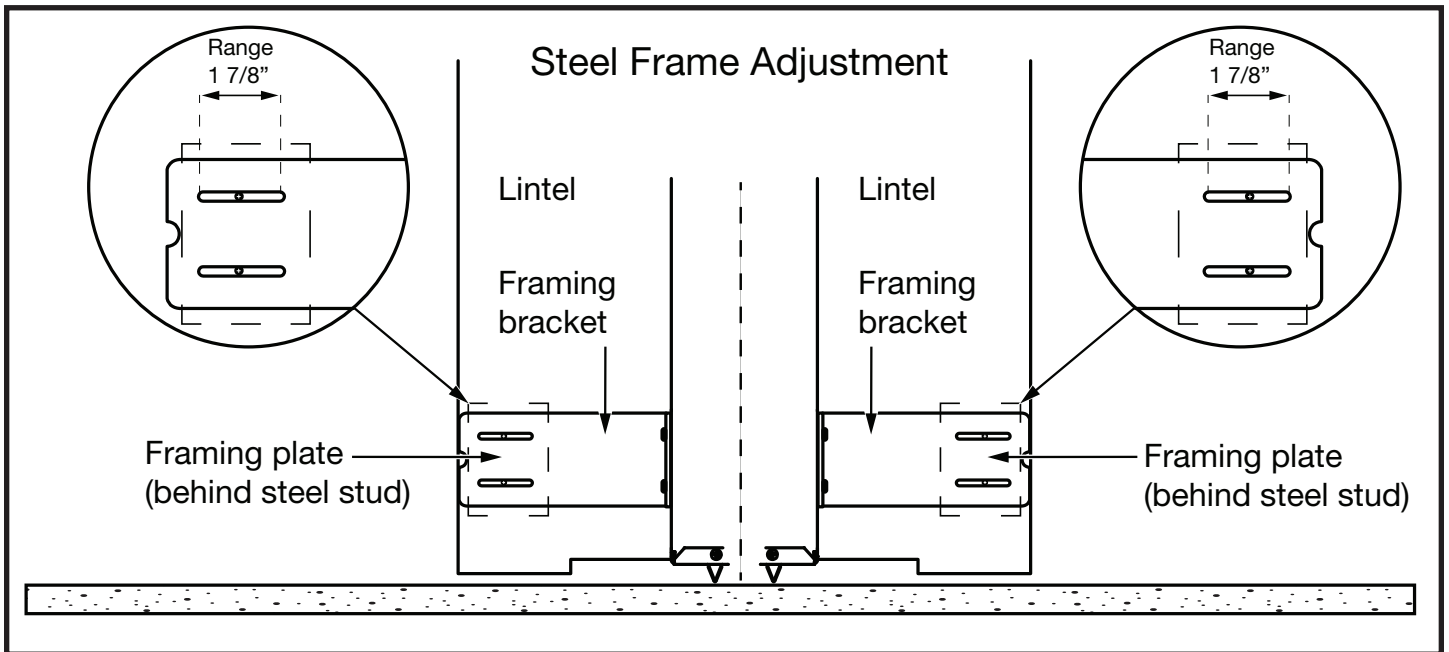


Figure 15: Adjustment range of see through unit.

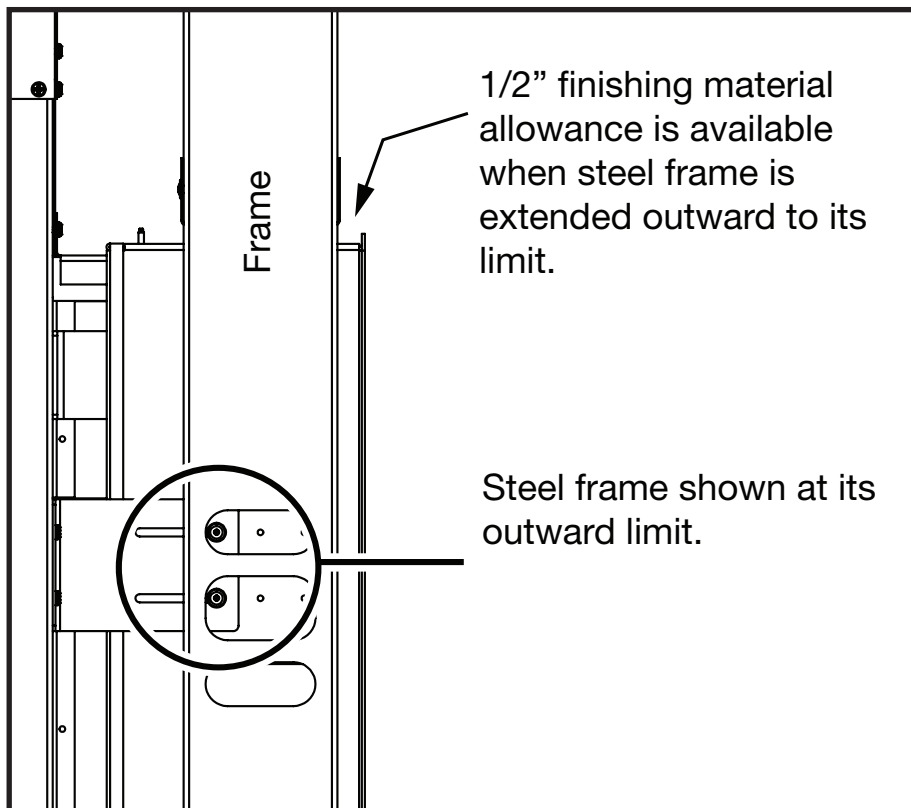


Figure 16: Steel frame extent of movement.

The two steel frames have a range of adjustment (See “Figure 13: TC36ST Minimum combustible framing dimensions.” on page 9) in order to accommodate varying wall depths from 23 3/4” to 27 1/4”. If the frames are positioned to their furthest extent, there will still be enough room (1/2”) to mount finishing material up to the fixed lintel (Figure 16).

## Steel frame assembly instructions

### 1. Top Frame Assembly (Figure 14)

Lay out the 59 1/2" horizontal header stud (5) on a large flat surface.

Position the two 15 1/2" center studs (4) perpendicular to the horizontal header stud, and align with the two innermost sets of screw holes. Fasten with the screws (1) provided.

Position the 41 1/4" horizontal stud plate (6) at the bottom end and perpendicular to the vertical center studs (4). Align the bottom ends of the vertical center studs to the two innermost sets of screw holes and fasten with the screws provided.

### 2. Attach Side Studs (Legs)

Lay the inner vertical side studs (2) so that its top end aligns with the 2nd set of screw holes of the header stud (5). The side stud should attach to, and be perpendicular to the 41 1/4" stud plate (6). Fasten with the screws provided.

Fasten the vertical outer side studs (3) to the ends of the horizontal header stud (5).

Position the base plate (7) at the bottom of the inner and outer side stud legs and fasten with the screws provided.

Turn the assembled frame over and install screws to the remaining fastening points.

### 3. Attach the Assembled Frame to the Unit - flat side out.

Align the assembled frame to the unit framing brackets with the flat side facing outward into the rooms (Figure 18). Align the framing plates (8) to the fastening points through the access holes in the outer side studs (3).

### 4. Secure to Existing Framing.

Secure the frame assembly to existing framing through the horizontal top stud (5) and the base plates (7).

### 5. Install Non-combustible Board

Use drywall screws to install the concrete board.

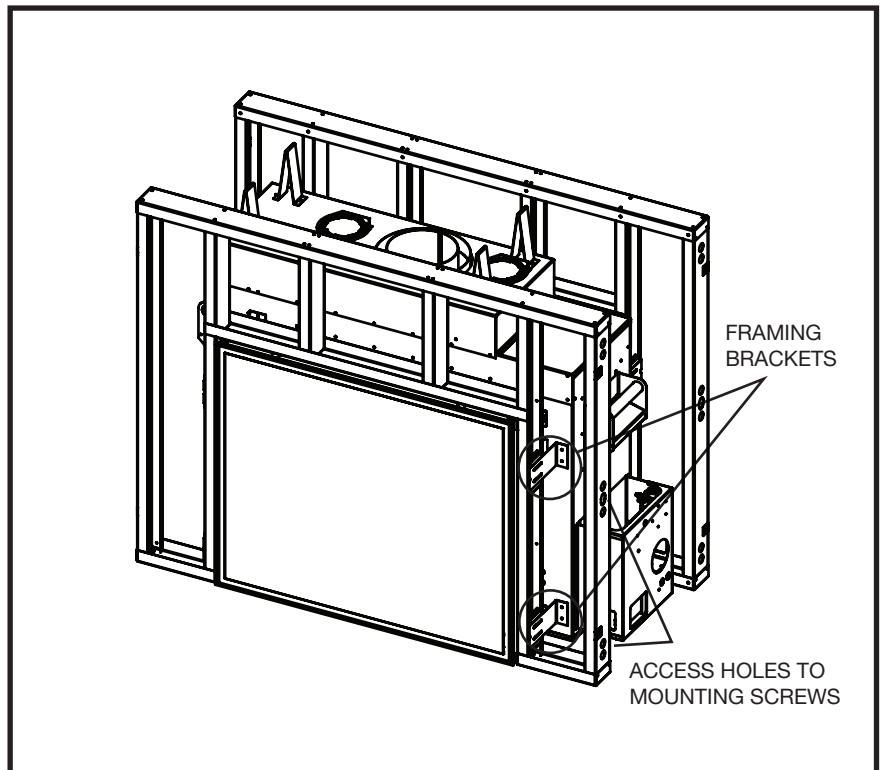


Figure 17: TC36ST With steel frame.

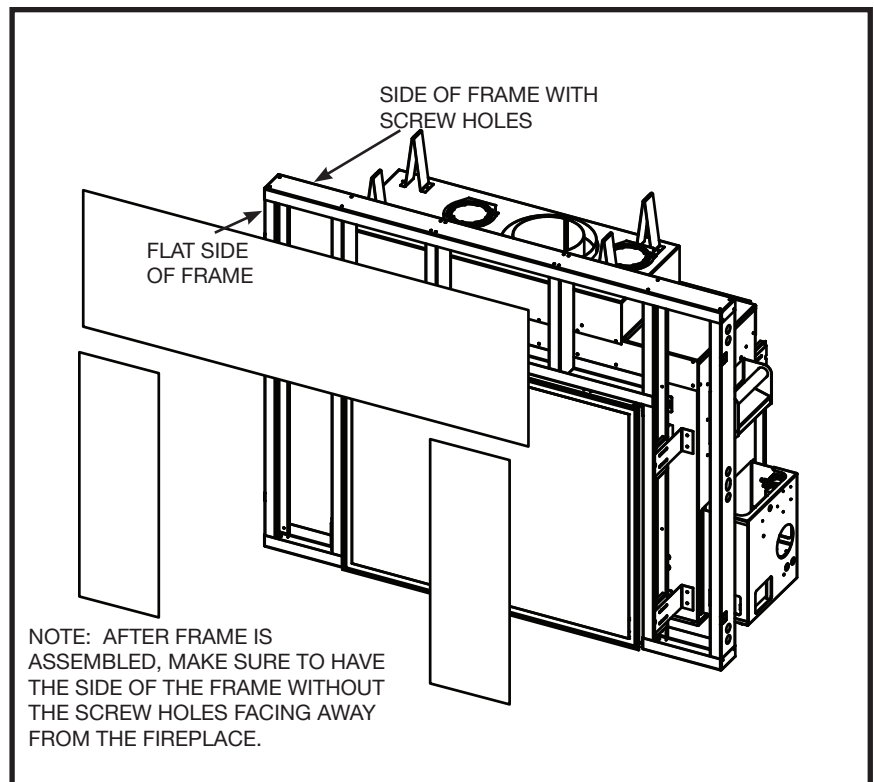


Figure 18: TC36ST With cement board.

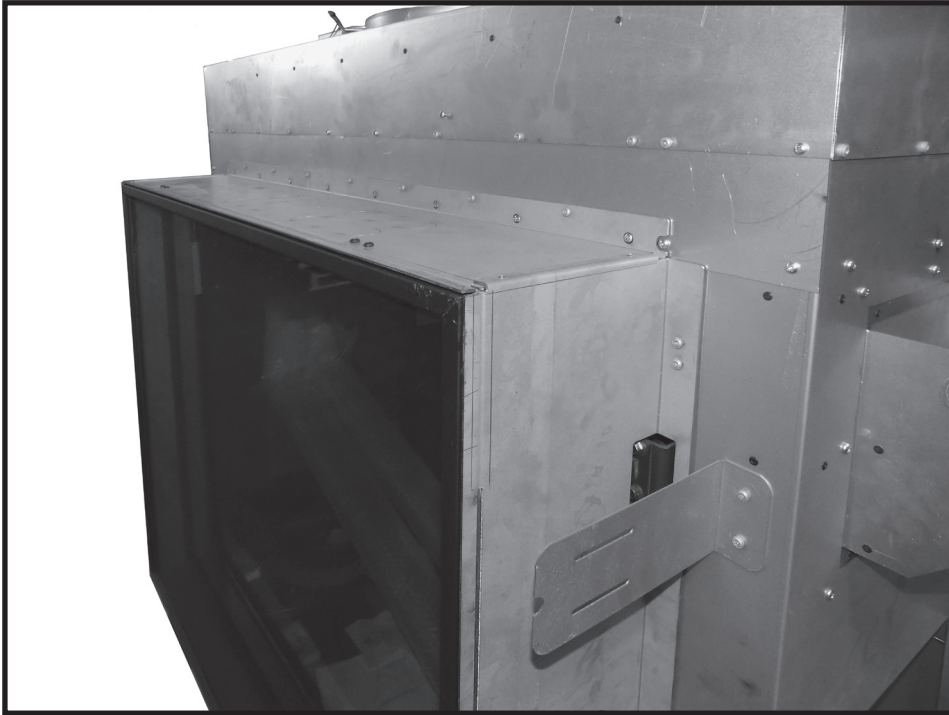


Figure 19: Fixed lintel.

### Framing Kit Adjustment

The lintel on the TC42D2 is in a fixed position on the fireplace and there is no adjustment to move the lintel toward you or away from you once the fireplace has been located in its final position. Instead, the fireplace itself must be manoeuvred so that the front face of the lintel determines the final position of the fireplace.

The Framing Kit allows for a 2 1/4 inch adjustment along the Framing Brackets. Use this range to help determine the front of the facing material.

The thickness of the facing material, whether 1/2 inch calcium silicate board or a rock facing must be taken into consideration before settling on a final position of the fireplace. See See "Fireplace Facing Allowance" on page 14.

## Fireplace Facing Allowance

This fireplace may be recessed up to a maximum depth of 4 1/2", this recess must be constructed from non-combustible material. The space between the outside framing edge and the firebox must be completely free of any obstructions or debris and the window, with trim fitted, must be able to move freely. No building material is permitted to protrude past the framing edges attached to the fireplace under ANY circumstance.

NON-COMBUSTIBLE  
FINISH MATERIAL

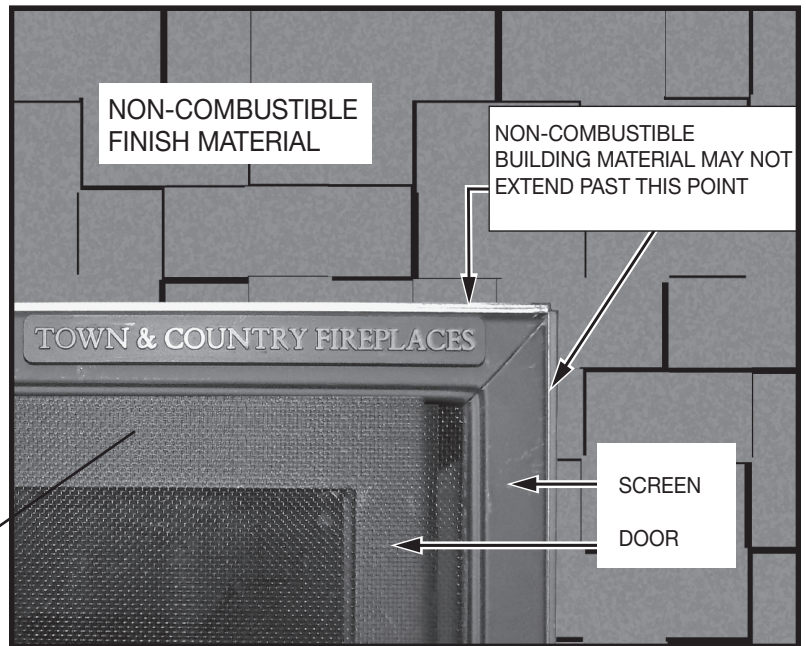


Figure 20: Framing edge location.

## Hearth Extension

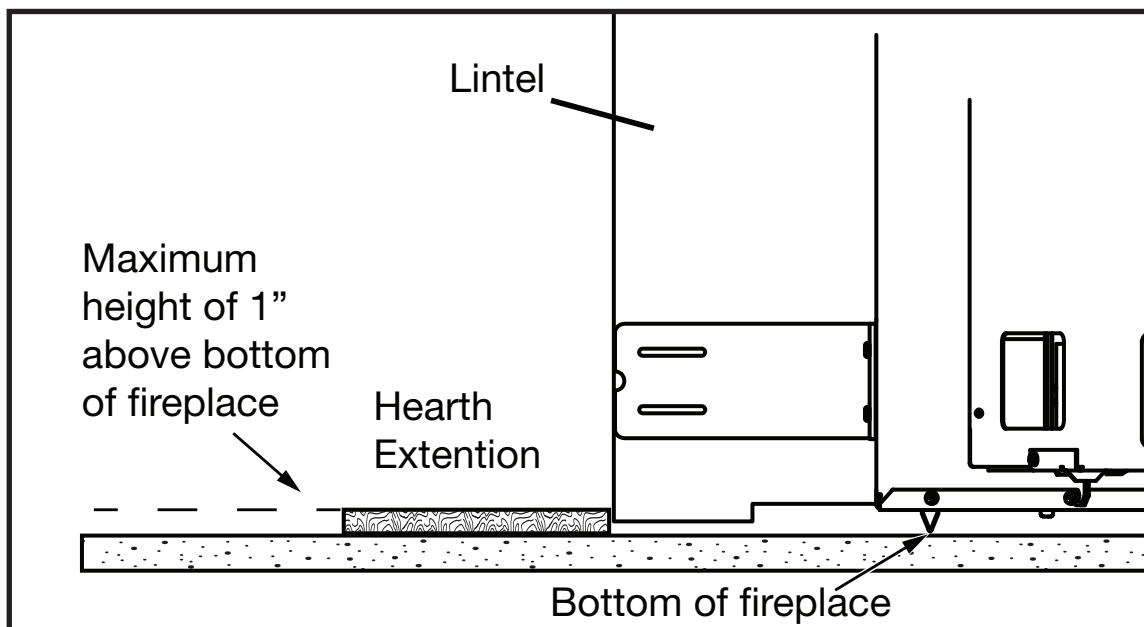


Figure 21: Hearth extension.

Caution: While a hearth extension is not required and combustible flooring materials may be brought directly up to the fireplace, many materials (such as wood flooring) may not tolerate the radiant heat from this fireplace, resulting in discoloration, shrinking and cracking. For this reason, we suggest a non-combustible hearth that is no more than 1" above the bottom of the fireplace. If thicker, fireplace must be raised accordingly.

Caution: Hearth extensions thicker than 1" will interfere with the safety screen and window frame when opening.

## Electrical

The gas control system is located on the right hand side of the firebox behind an access panel and the decorative firebox panel (if installed). The fireplace is operated via a wall control and a hand held remote control unit.

The wall control is connected to the fireplace by a 40 ft. communication cable supplied with the fireplace.

### Installation

1. Place the fireplace in the desired location.
2. Remove the window from the fireplace.
3. Remove access panel from right hand side of the firebox (Figure 22).
4. Connect 110 V. AC electrical supply to the wires installed inside the junction box (Figure 23). The fireplace is rated at 110 volts, 60Hz, 0.25A. The optional power vent kit is rated at 115 volts, 60Hz, 1.8A.
5. The electrical wires can be accessed from both inside and outside the junction box by removing one of the two small access panels (Figure 23 and Figure 24)
6. Attach the wall switch to the framing in the desired location (40 ft is supplied with fireplace).
7. Route the wall switch control cable (supplied) as required to the wall switch.
8. Attach one end of the wall switch control cable to the wall control (Figure 26), and the other end to the interface board (Figure 24).
9. Insert the 4 supplied "AA" batteries into the battery pack of the wall switch (Figure 27)
10. If not already installed, install the burner using the instructions supplied with the burner kit.
11. Turn on the gas supply and check that all connections are tight and leak free.
12. Turn on gas and electrical supplies.
13. Move the center button on the wall control to the "ON" position. The igniter will start to spark. After a short delay, the pilot will light followed by the main burner.

Figure 24:  
Valve assembly  
components.

FIREBOX ACCESS PANEL



Figure 22: Access to firebox.

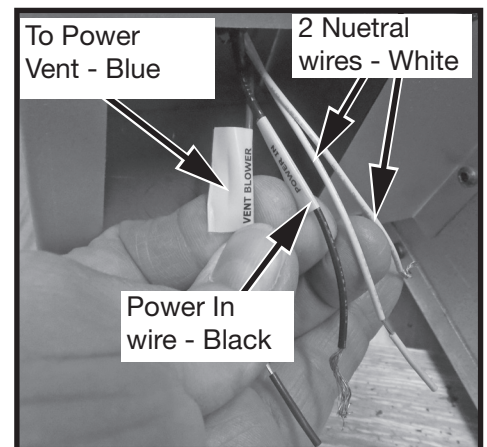
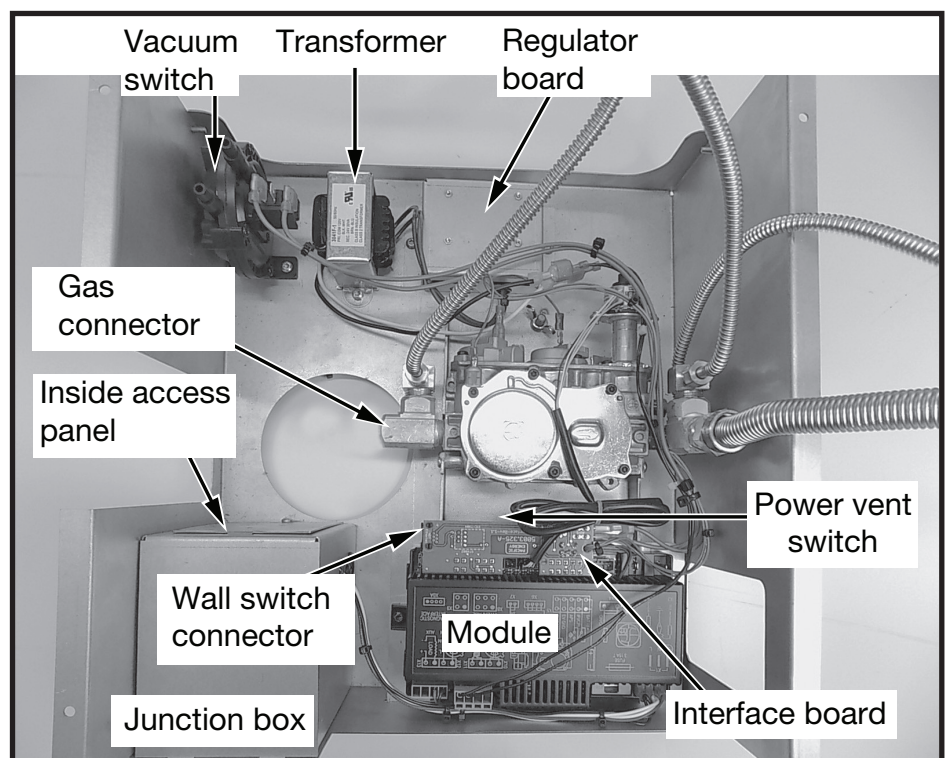


Figure 23: Junction box wiring.



## Wall Switch and Remote Control



Figure 25: Town and Country Wall switch.

### Linking the remote control unit to the wall switch.

1. Begin by moving the selector toggle on the wall switch to the "REMOTE" position.
2. Insert a straightened paper clip into the "PROGRAM" slot on the wall switch.
3. Press the internal "PROGRAM" button once and wait until you hear 3 beeps from the wall switch.
4. Press the ON/OFF button of the remote unit. Once the wall unit beeps 3 times, the remote is programmed.
5. The toggle on the wall switch must be kept in the "REMOTE" position in order to use the remote control unit.

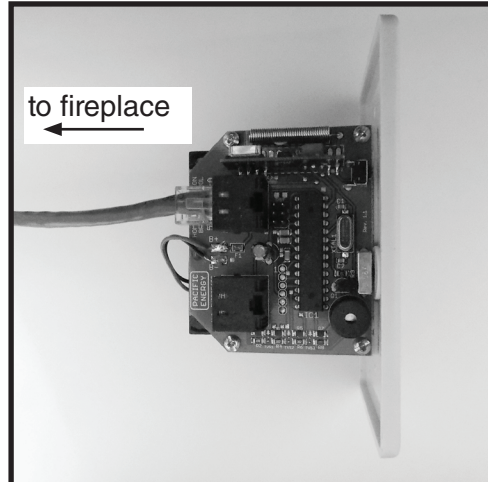


Figure 26: Wall switch - interface side.

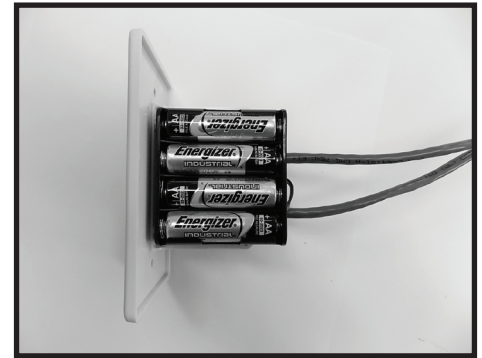


Figure 27: Wall switch - battery side.

**NOTE:** The wall switch comes with the lower ethernet cable blocked with a piece of red tape. If connecting to a customer supplied home automation system, remove the piece of tape to connect with the home automation system. If not using a home automation system, leave the piece of tape in place and use the unblocked port to connect to the IFC module of the fireplace.

## Selecting Natural Vent and Power Vent Modes

The NV / PV (Natural Vent / Power Vent) switch (Figure 28) on the interface board (Figure 24) is set according to which type of evacuating vent system is present. If the fireplace is vented without the assistance of a power vent, the switch should be set to "NV". If using a power vent, "PV" should be selected. Follow the instructions provided with the power vent kit for proper installation.

### Important Note:

When switching between PV and NV, both the electrical power supply to the fireplace must be turned off and the backup batteries removed to properly re-set the module.

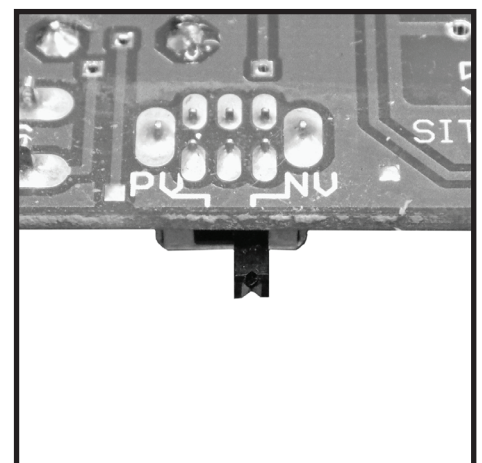


Figure 28: Vent mode selection switch.



# Home Automation

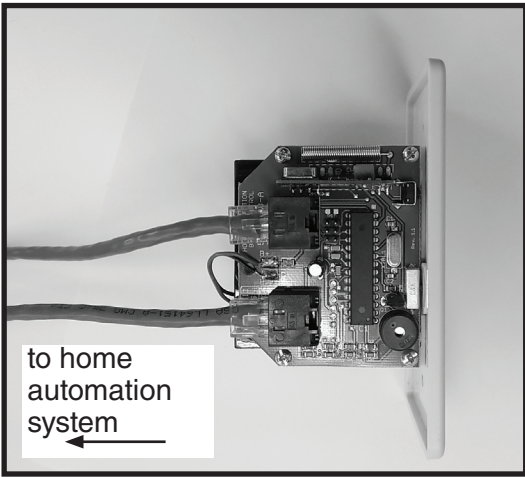


Figure 29: Complete communication wiring.

The home automation feature supplied with this fireplace is capable of controlling the flame and light on/off function with the use of a dry contact relay common to home automation systems. Furthermore, the flame and light level may be modulated from high to low using the 0 - 10 volt analog output available on most home automation systems.

(Figure 30) shows the wire designations required to connect the fireplace to a home automation system.

Note: Leave the wall switch on the “Remote” setting when using home automation.

**NOTE:**

When a signal has been supplied by the home automation system, the fireplace control will repeat the signal every 2 hours or until a new command has been received.

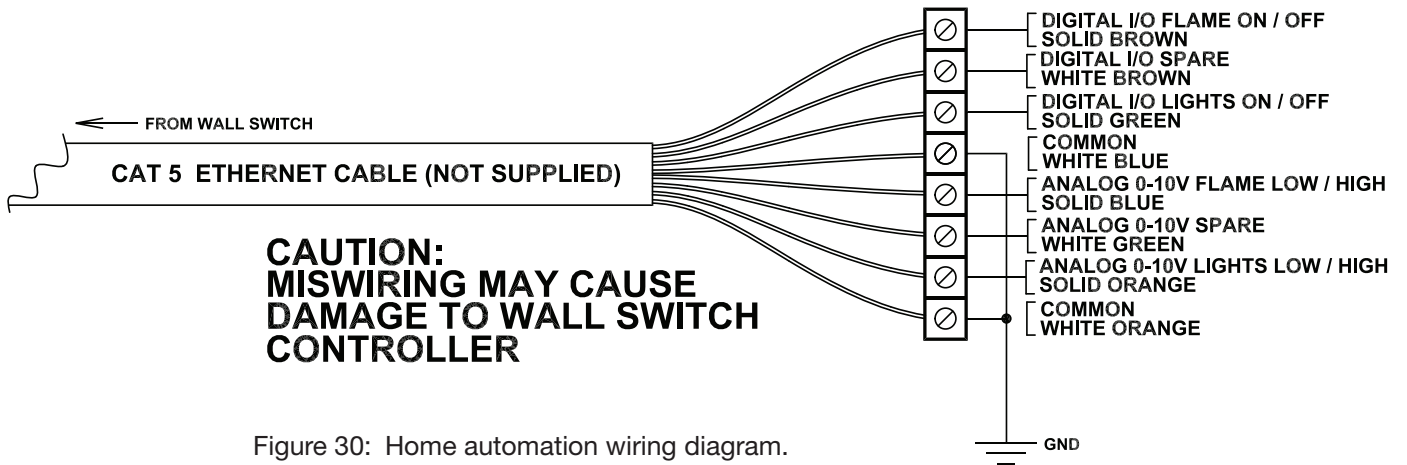


Figure 30: Home automation wiring diagram.

**NOTE:**

- Digital I/O must be connected to a dry contact relay.
- Analog flame and light input through 0 - 10 volt DC signal scaled as follows:

Low = 1 volt  
High = 10 volts

# Gas Supply

**CAUTION:** The gas line should be installed by a qualified service person in accordance with all building codes. This section is intended as a guide for qualified technicians installing this appliance. Consult local and / or national building codes before proceeding.

Gas supply line access holes are located at the top and left sides of the Control Box. Gas valve inlet accepts a 3/8" N.P.T. fitting. Correct gas line diameter must be used to assure proper operation and pressure.

**NOTE: A sediment trap, as per national fuel gas code, must be installed in the gas supply line no more than 6 feet from the gas control valve to minimize the possibility of any loose scale or dirt within the gas supply line from entering the control valve.**

**DO NOT HARD PIPE GAS LINE TO VALVE. A method of disconnecting the valve from the gas line such as a union or flare fitting must be provided to allow for repair or replacement of the gas valve.**

Check local codes for additional requirements.

1. Connect the gas supply to the connector (Figure 24).
2. Turn on the gas supply and check that all connections are tight and leak free.

## Warning:

**The access panel - including gasket, must be reinstalled after conversion / installation or servicing has been completed. Failure to do so will cause overheating and premature failure of the control system.**

# Gas Pressure Check

Note: To test the gas pressure, turn off the gas supply before removing the plug from the supply pressure test port or manifold pressure test port.

Verify gas pressures with the fireplace lit and on the highest setting.

Please refer to the Burner Installation Manual for gas pressure testing procedure.

### Correct gas pressure requirement:

	Natural Gas	Propane
<b>Min. Pressure</b> (For purpose of input adjustment)	<b>5.0" WC</b>	<b>12.5" WC</b>
<b>Max. Pressure</b>	<b>13.9" WC</b>	<b>13.9" WC</b>
<b>Manifold Pressure</b>		
<b>Maximum</b>	<b>3.5" WC</b>	<b>10" WC</b>
<b>Minimum</b>	<b>1.6" WC</b>	<b>6.4" WC</b>

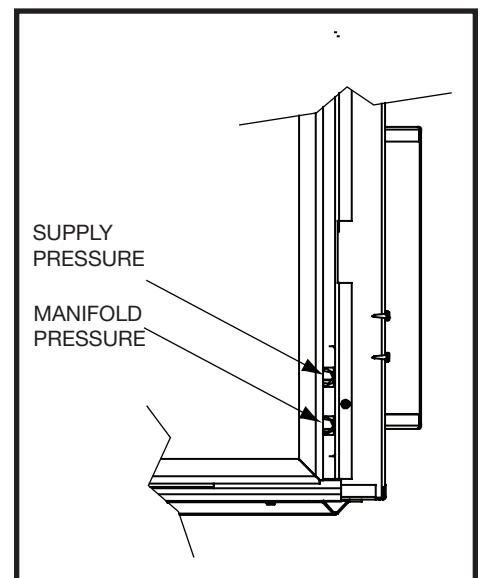


Figure 31: Test ports.

---

# Venting

---

Before installing venting for this unit, the installer should read these instructions to insure that the proper vent configuration has been selected.

Use only Town and Country Termination kits #:

TCVT.WTA - Wall Termination Kit

TCVT.RTA - Roof Termination Kit

Vent system components approved for use with the Town and Country Fireplace. See "Vent System Components" on page 20.

**NOTE: Optional Power Vents (TCVT.PVI.25, TCVT.PV7.110 & TCVT.PVCV) require different venting. Please refer to Power Vent manuals.**

Various combinations of vertical and horizontal runs may be used. Refer to See Figure 35 & See Figure 36 for details. For optimum performance and flame appearance, keep the vent length to a minimum and limit the number of elbows. Connections between each vent system component must be tightly joined, secured with sheet metal screws and sealed with provided high temperature self adhesive tape. A horizontal run of vent should have a 1/4" rise for every 1 ft. of run towards the termination.

**CAUTION: UNDER NO CONDITION SHOULD COMBUSTIBLE MATERIAL BE CLOSER THAN 1 3/4 INCHES FROM THE TOP AND 1 3/4 INCHES FROM THE SIDES OF A HORIZONTAL SECTION AND 1 3/4 INCHES FROM THE VERTICAL SECTIONS OF THE VENT PIPE.**

---

## Wall Termination Venting

---

### Exterior wall opening:

Determine the exact position of the fireplace so that the vent pipe is centered (if possible) between two building framing members. Consult your local building codes prior to proceeding. The vent kit will accommodate up to a maximum wall thickness of 12 inches.

Having determined the position of the fireplace, cut and frame a 14 1/2 inch opening centered at a minimum height of 61 inches above the floor. The opening may be round or square. Height of the opening will vary with each installation. As the horizontal vent run increases, so does the minimum vertical rise (Figure 35).

**IMPORTANT: When locating the opening, it should be noted that vent terminal clearances must be maintained. See "Vent Terminal Clearances" section for proper clearances.**

A minimum 1 foot length of pipe is required off the top of the fireplace for any wall termination. With this minimum vertical rise in combination with a 90° elbow, a maximum horizontal run of 32 1/2 inches is permitted (Figure 35) & (Figure 36). For longer horizontal runs greater than 32 1/2 inches, increase vertical rise appropriately.

The rise and run must be constrained to the boundaries of the chart shown in Figure 35. The horizontal run of vent must have a 1/4" rise for every 1 ft. of run towards the termination.

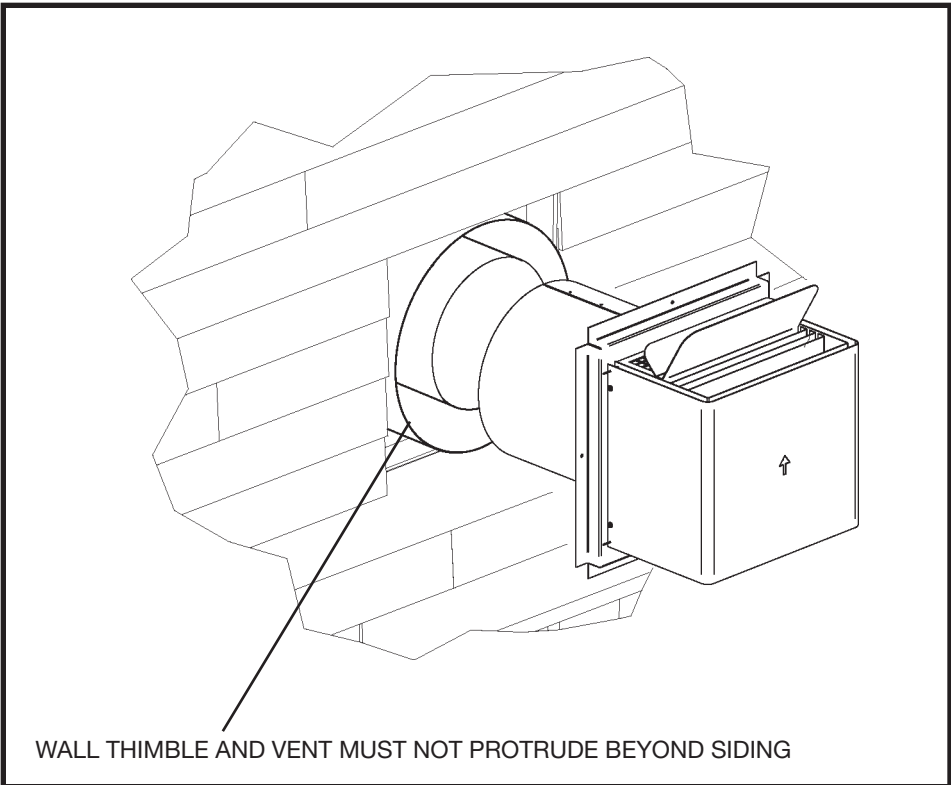


Figure 32: Wall vent terminal.

**Wall thimble:**

Where a vent pipe passes through a combustible wall, a wall thimble/shield must be used to retain insulation and maintain proper clearances. The wall thimble may be cut to length for various wall thicknesses up to 12" thick.

Measure the wall thickness including the siding. Trim the shield to match the wall thickness. Position the wall thimble from inside through the 14-1/2" opening. Properly adjusted, the thimble should be flush with the outer wall surface.

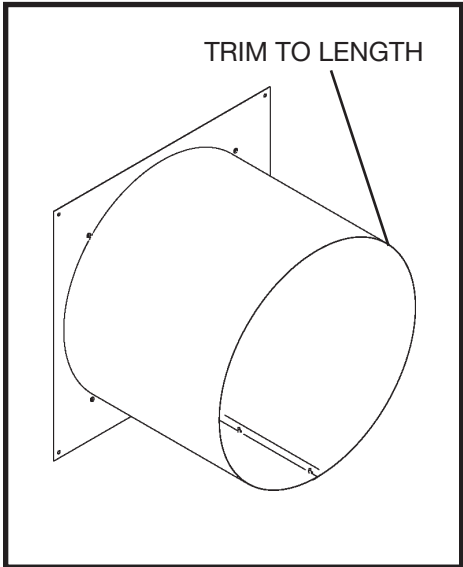


Figure 33: Thimble.

Vent System Components	Town & Country
12" Pipe Length.....	TCVT.811X12
18" Pipe Length.....	TCVT.811X18
24" Pipe Length.....	TCVT.811X24
48" Pipe Length.....	TCVT.811X48
12" Adjustable Pipe Length.....	TCVT.811X12ADJ
45° Elbow .....	TCVT.811XLB45
90° Elbow .....	TCVT.811XLB90
Wall/Offset Support .....	TCVT.811XOS
Wall Termination Kit.....	TCVT.WTA
Roof Termination Kit.....	TCVT.RTA
Wall Shield/Ceiling Firestop.....	TCVT.THIMA
Roof Flashing, Adjustable .....	TCVT.811FLADJ
Roof Flashing, Flat .....	TCVT.811FLFLT
Roof Flashing, Steep .....	TCVT.811FLSTP
	or any flashing that fits 11" pipe

**Vent pipe:**

Install vent pipe through the wall thimble and attach to flue outlet collar on top of the fireplace. Secure all joints with screws and seal with approved "High Temp." self-adhesive aluminum tape provided. See Figure 42 on page 27.

Adjust the fireplace position so that the vent pipe does not protrude beyond the outer wall. The vent connector on the termination will accommodate walls up to 12" thick.

**Wall vent terminal:**

1. Engage the terminal with the vent pipe and slide terminal into place. Ensure that both inner and outer pipes are fully engaged and then attach the terminal to the outside wall. The vent terminal must not be recessed into the exterior wall or siding.
2. Caulk in place to prevent any moisture entering the building.

**NOTE: MINIMUM CLEARANCES TO THE VENT TERMINAL MUST BE MAINTAINED, See Figure 41 & Figure 42 on page 27.**

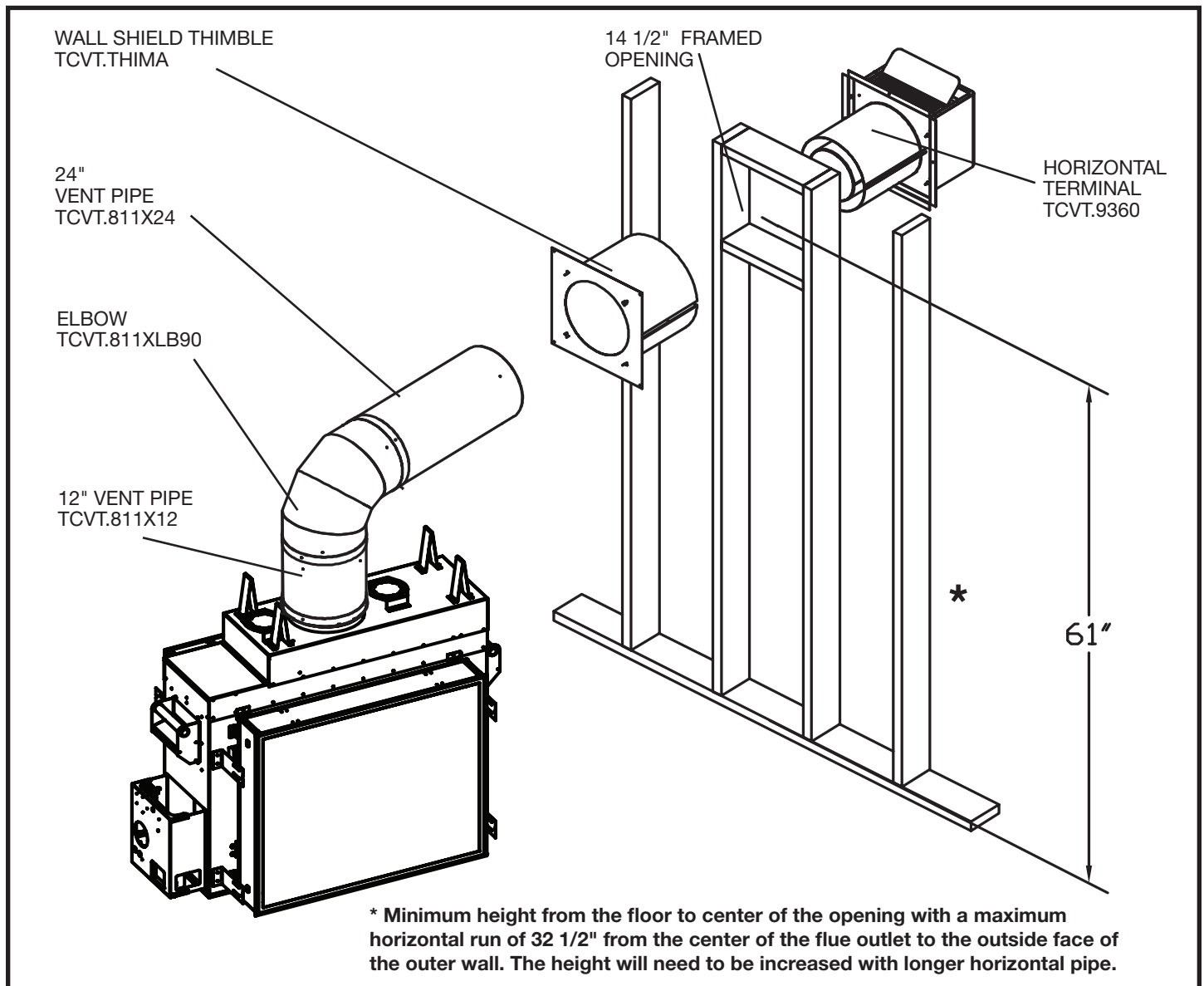
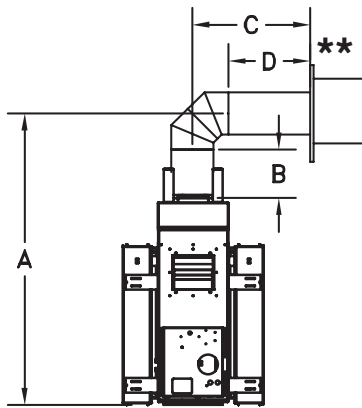


Figure 34: TC36ST Wall vent terminal framing.

# Wall Termination Venting Chart



A Minimum rise	B Pipe length	C Maximum run	D Pipe length Max.
61"	1-12"	32 1/2"	1-24"
67"	1-18"	75 3/4"	1-48" 1-12"
73"	1-24"	9' 3 3/4"	2-48"
77 1/4"	1-12" 1-18"	13' 2"	3-48"
83 1/4"	1-24" 1-12"	17' 1/4"	4-48"
89 1/4"	1-24" 1-18"	18' 10 1/2"	1-48" 1-24"
97"	1-48"	20' 10 1/2"	5-48"

For other rise/run combinations see chart below

\*\* All dimensions are approximate. Both rise and run may vary with different combinations of pipe.

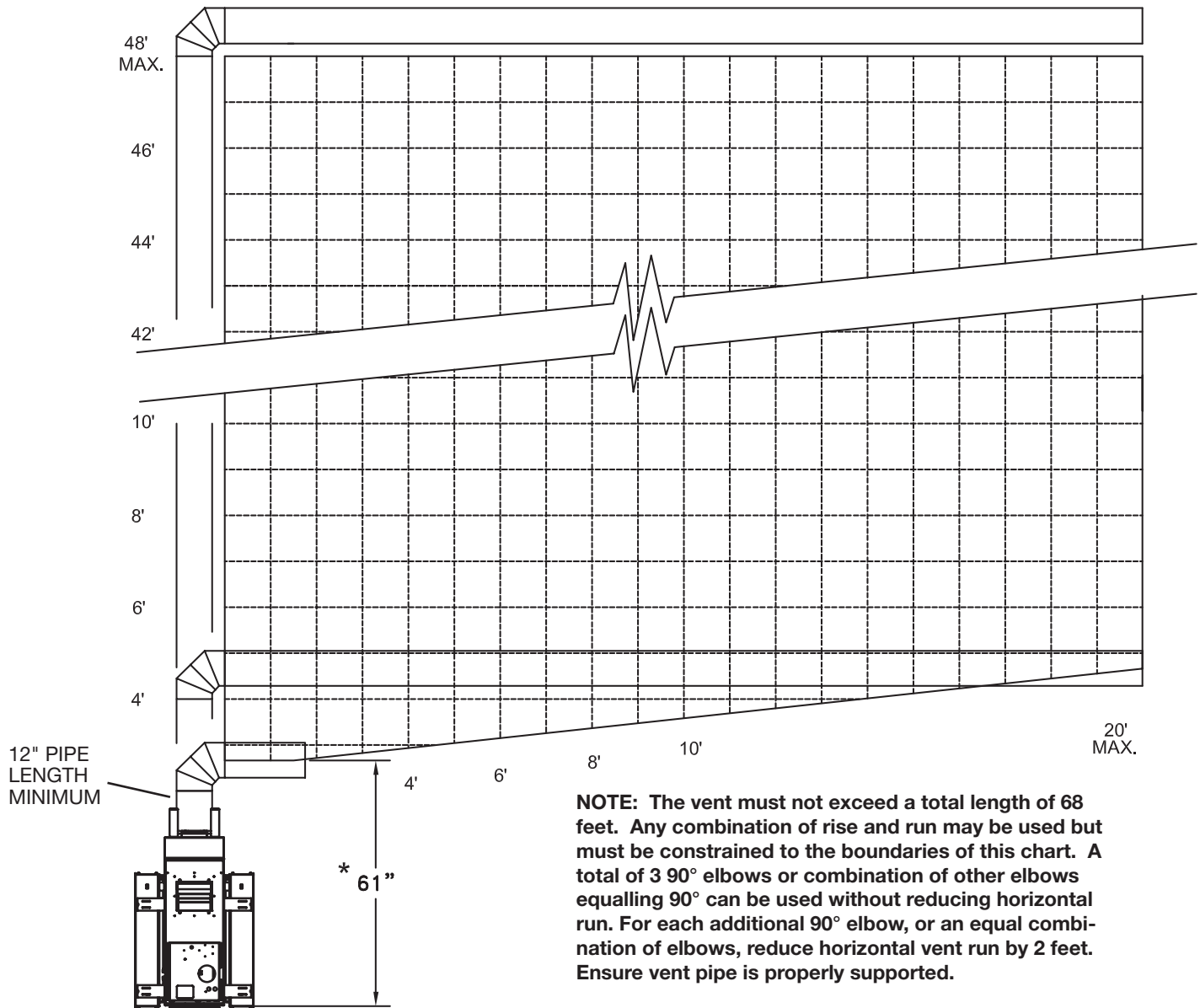


Figure 35: TC36ST Horizontal rise - run chart.

# Roof Termination Venting Chart

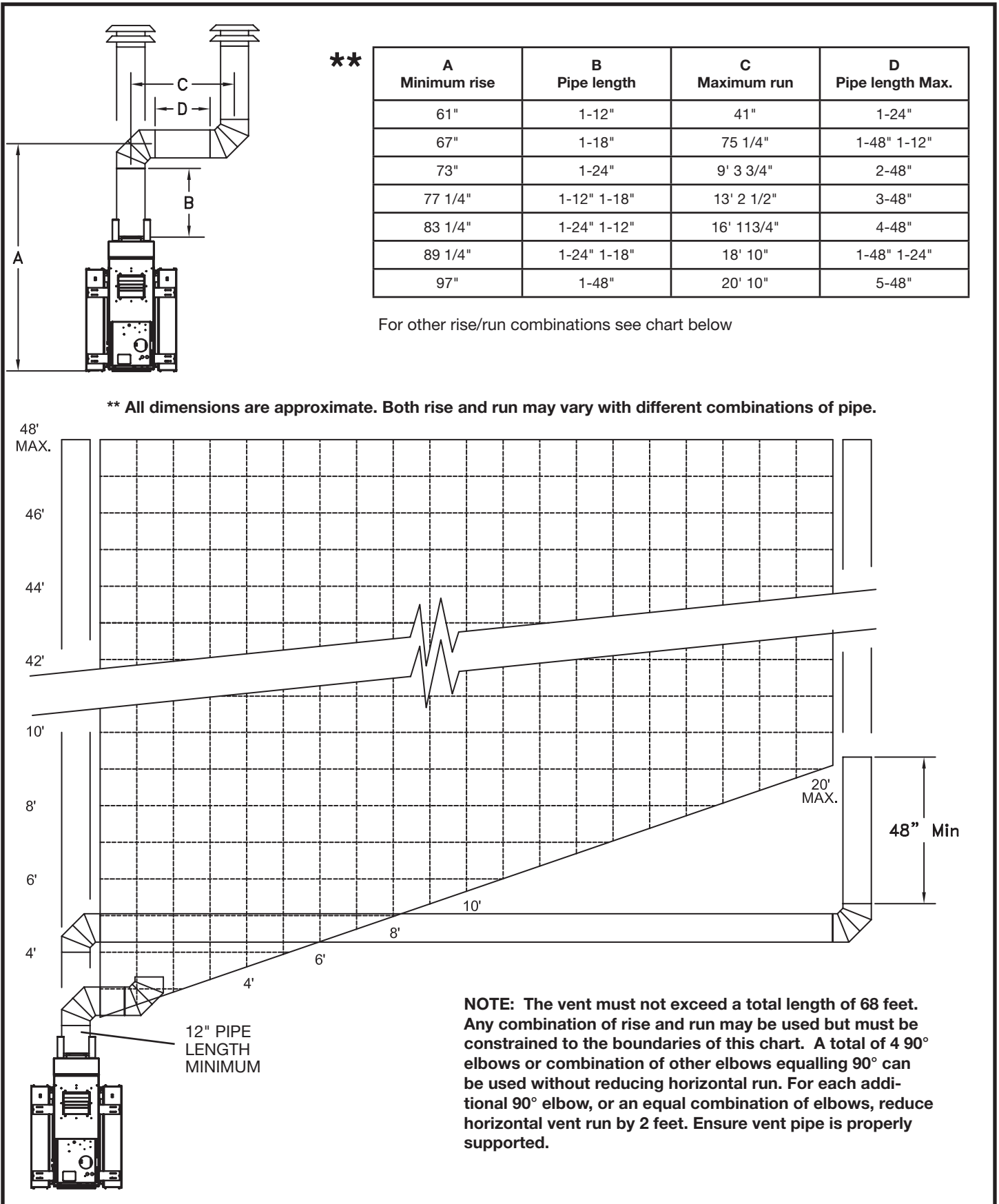


Figure 36: TC36ST Vertical rise - run chart.

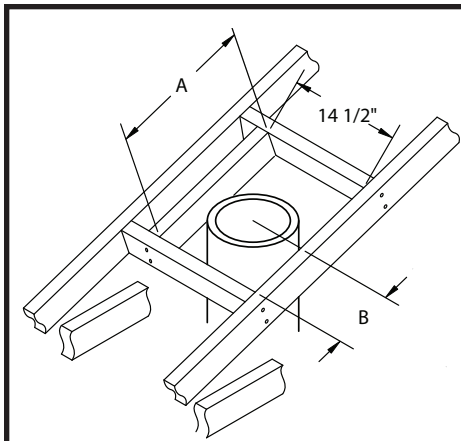


Figure 37: Roof opening frame.

Size of the opening will have to increase with the pitch of the roof to ensure a 1 3/4" inch air space clearance between vent pipe and combustibles.

Roof Pitch	A	B
0/12	14 1/2"	7 1/4"
4/12	16 1/2"	8 3/4"
6/12	18"	10"
8/12	19 3/4"	11"
12/12	24"	13 3/4"

### Ceiling Opening:

1. Determine the exact position of the fireplace so that the vent pipe is centered (if possible) between two building framing members. Lay out the vent system path, minimizing the number of elbows and length of vent. Consult your local building codes prior to proceeding.
2. Cut and frame a 14 1/2" opening in the floor, ceiling or roof where the vent system will pass. Size of the opening in the roof may need to be increased as the pitch of the roof increases. Avoid cutting rafters.

### Ceiling Firestop:

Where a vent pipe passes through a floor or ceiling, a ceiling firestop must be used to retain insulation and maintain proper clearances.

From below, push the ceiling firestop through the opening and secure in place. If the firestop is used to penetrate a floor, the outer shield may be trimmed in length. If the firestop penetrates into an attic, leave the shield full length to keep insulation away from the vent pipe. Additionally, after the vent pipe is in place, install a storm collar on top of the shield. This will prevent loose insulation from falling into the area between the vent pipe and the shield.

### Vent Pipe:

1. Install the first section of vent pipe into the collar on top of the fireplace. Secure in place with screws and seal with approved "High Temperature" self-adhesive aluminium tape provided.
2. Continue adding vent pipe lengths up and through the firestop(s) and through the roof. The vent pipe must extend at least 12" above the roof. Vent pipe may need to extend further depending on the roof pitch - See "Roof Pitch Table" on page 26 for precise lengths.

Seal the vent pipe as per "Figure 42: TC36ST Sealing vent joints." on page 27.

### Roof Support Bracket:

1. Slip the roof support bracket down over the vent pipe. Rotate the 90° brackets to accommodate roof pitch.
2. Attach the brackets to the roof joists with nails or building screws.
3. Tighten the band around the vent pipe and secure in place with screws.

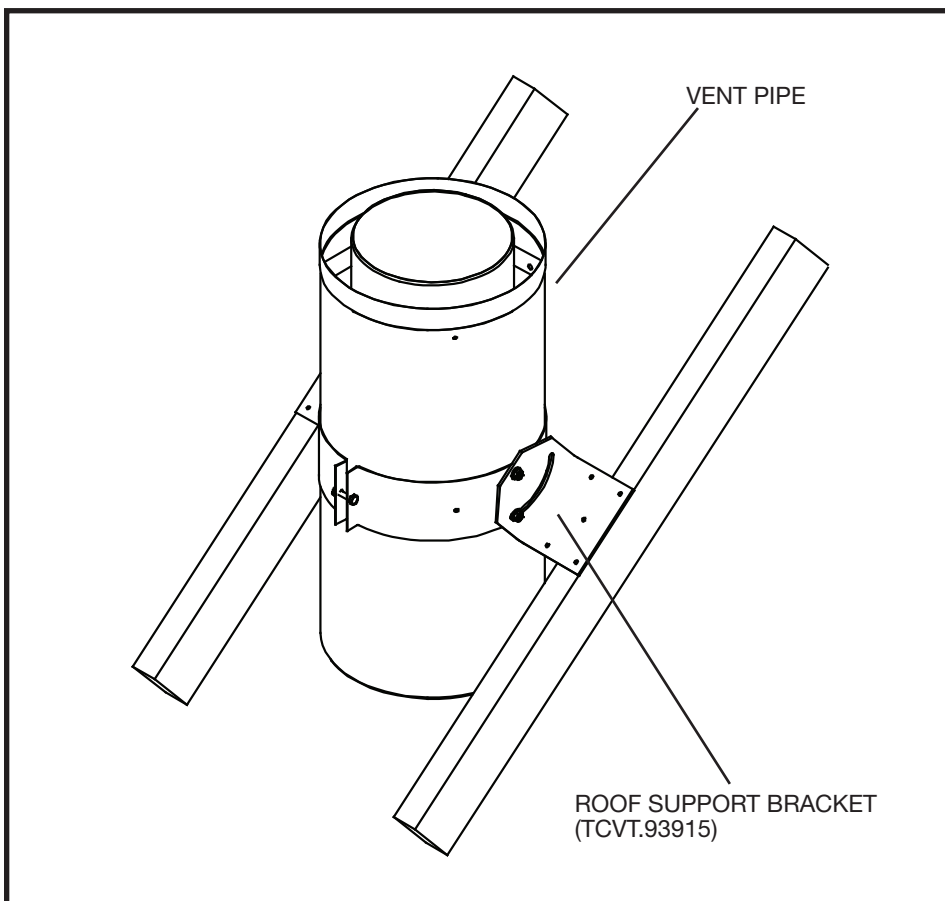


Figure 38: Roof support bracket.



### Roof Vent Terminal:

1. Place the roof flashing over the vent pipe, secure and seal it to the roof using the methods and materials appropriate for the type of roof on the building. Shingle roof example shown (Figure 39).
2. Place the storm collar down over the vent pipe until it is level. Tighten storm collar for a snug fit. Apply a thick horizontal ring of mastic around the pipe at top of the storm collar (Figure 39).
3. Lower the roof vent terminal cap over the vent pipe and secure in place with screws provided. Seal screw heads and joint with caulking to prevent any moisture entering the venting system.

### Note:

**Adjustable for various roof pitches, from flat roof to 12/12 pitch roof.**

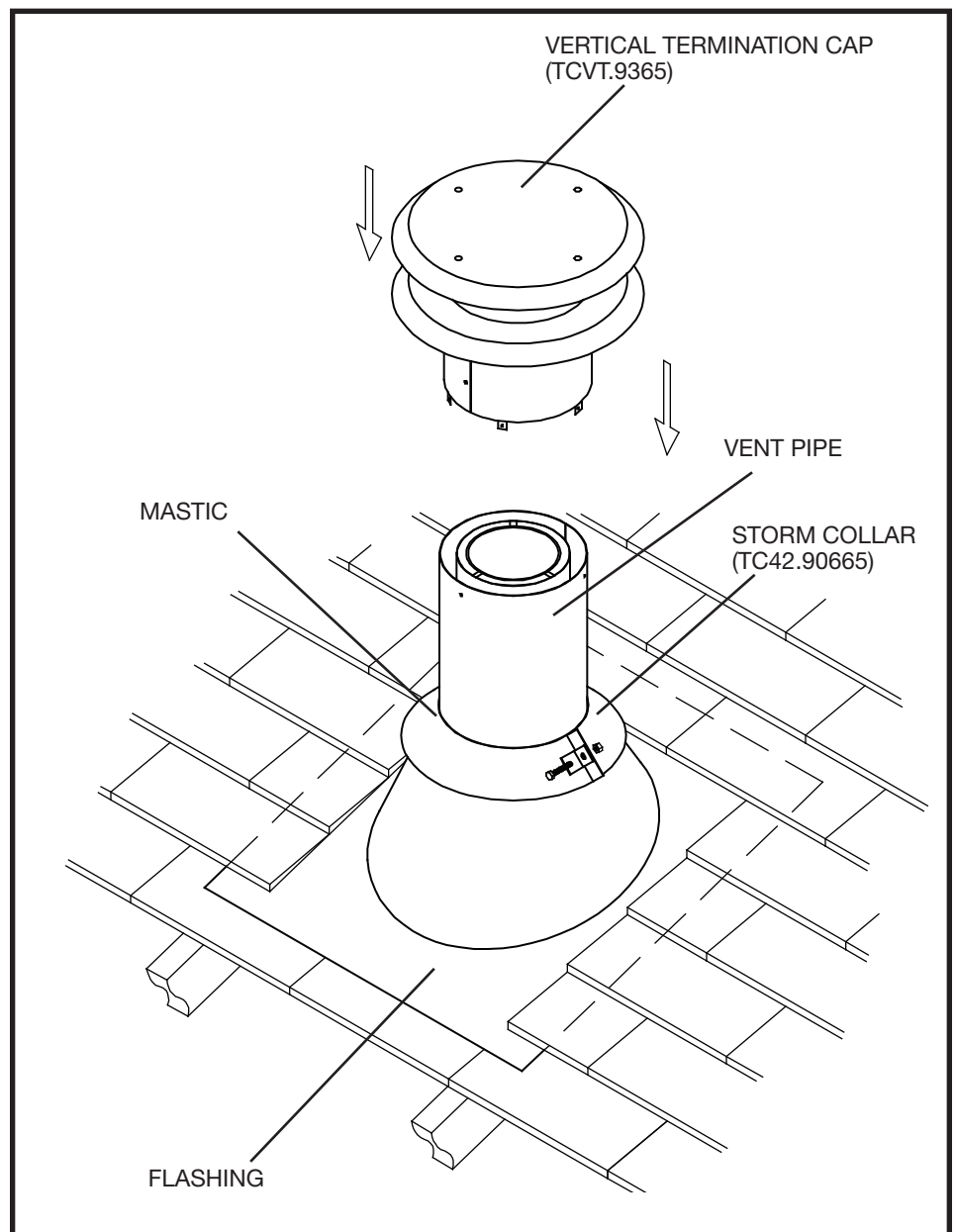


Figure 39: Roof vent terminal.

# Vent Terminal Clearance

Minimum clearances to the vent terminal must be maintained as shown in Figure 41. Measure clearances to the nearest edge of termination hood.

**NOTE: Vent terminal must not be recessed.**

**NOTE: LOCAL CODES OR REGULATIONS MAY REQUIRE DIFFERENT CLEARANCES.**

Roof Pitch Table	(minimum)	
	ft	m
Flat to 6/12	1.00	0.30
Over 6/12 to 7/12	1.25	0.38
Over 7/12 to 8/12	1.50	0.46
Over 8/12 to 9/12	2.00	0.61
Over 9/12 to 10/12	2.50	0.76
Over 10/12 to 11/12	3.25	0.99
Over 11/12 to 12/12	4.00	1.22

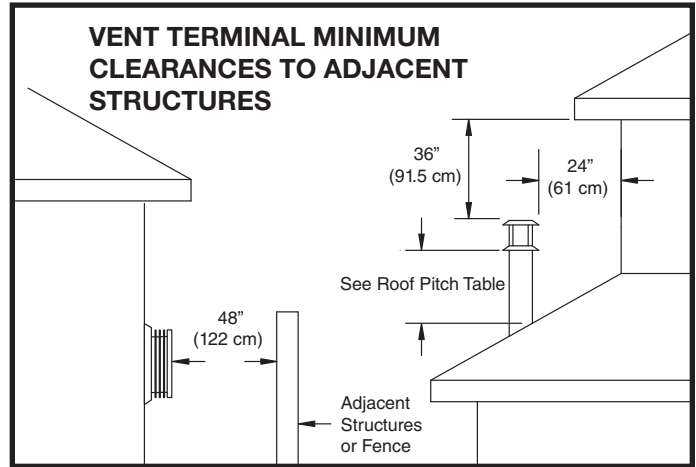


Figure 40: Vent roof clearance.

# Vent Terminal Minimum Clearances

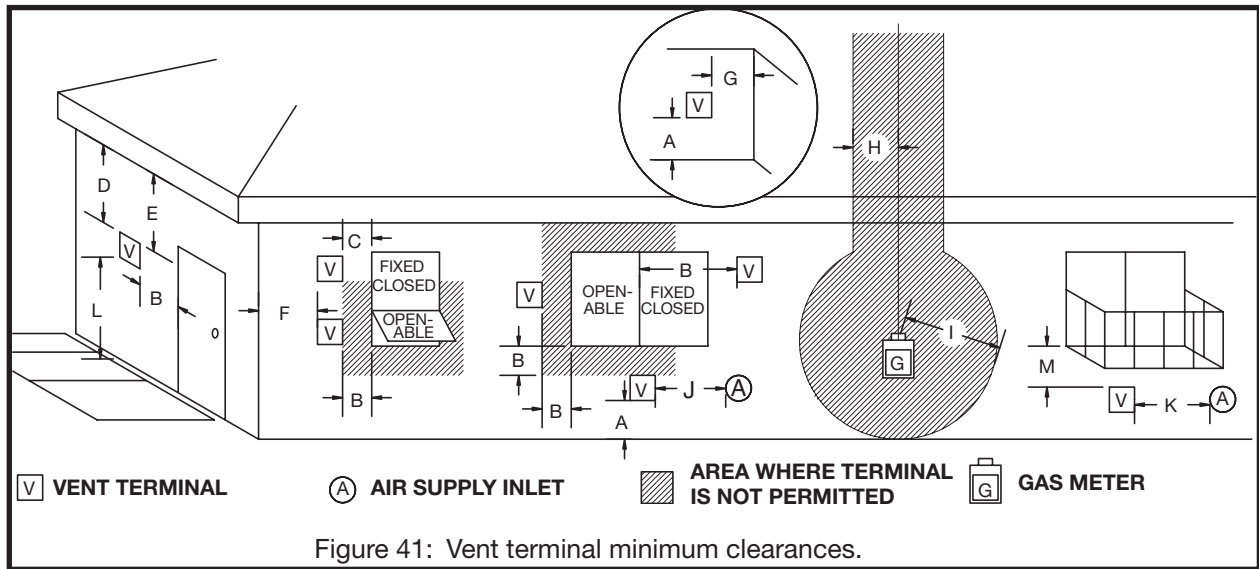


Figure 41: Vent terminal minimum clearances.

A=	*12 inches (30 cm) min.	Clearances above grade, veranda, porch, deck, or balcony
B=	*12 inches (30 cm) min.	Clearance to window or door that may be opened
C=	12 inches (30 cm) min.	Clearance to permanently closed window recommended to prevent condensation on window
D=	30 inches (76 cm) min.	Vertical clearance to ventilated soffit located above the terminal within a horizontal distance of 2 feet (60 cm) from the edge of the terminal
E=	30 inches (76 cm) min.	Clearance to unventilated soffit
F=	6 inches (15 cm) min.	Clearance to outside corner
G=	6 inches (15 cm) min.	Clearance to inside corner
H=	3 feet (90 cm) min.	*Not to be installed above a meter/regulator assembly within 3 feet (90 cm) horizontally from the center-line of the regulator
I=	*6 feet (1.8 m) min.	Clearance to service regulator vent outlet
J=	*12 inches (30 cm) min.	Clearance to non mechanical air supply inlet to building or the combustion air inlet to any other appliance
K=	*6 feet (1.8 m) min.	Clearance to a mechanical air supply inlet
L=	*7 feet (2.1 m) min.	^ Clearance above paved side-walk or a paved driveway located on public property
M=	**30 inches (76 cm) min	Clearance under veranda, porch, deck, or balcony

^ a vent shall not terminate directly above a side-walk or paved driveway which is located between two single family dwellings and serves both dwellings\*

\*\* only permitted if veranda, porch, deck, or balcony is fully open on a minimum of 2 sides beneath the floor\*

\* as specified in CGA B149 Installation Codes, Note: local Codes or Regulation may require different clearances

\* for U.S.A. Installations follow the current National Fuel Gas Code, ANSI Z223.1

# Vent Pipe Sealant

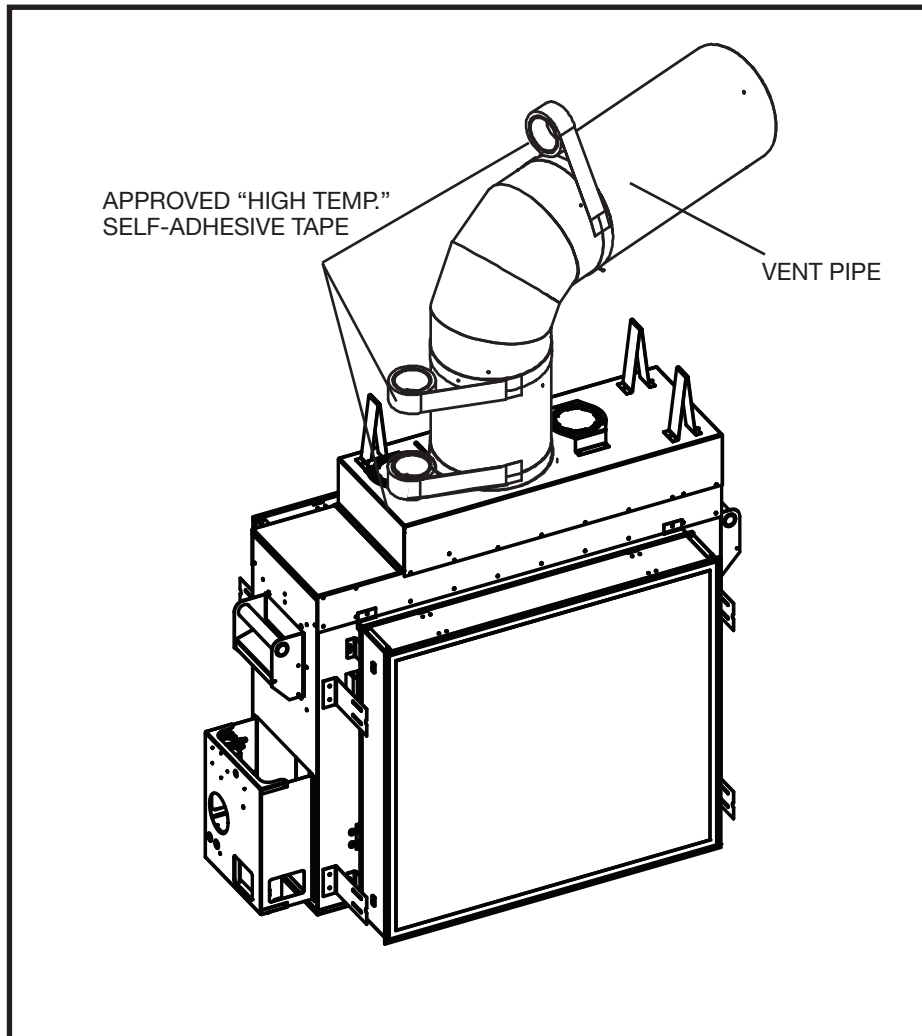


Figure 42: TC36ST Sealing vent joints.

All outer joints of the vent pipe must be sealed with the approved "High Temperature" self-adhesive aluminium tape provided. Wrap the tape completely around the joint and press firmly in place.

# Vent Restrictor Adjustment

The vent restrictor is located on the underside of the firebox top. The unit leaves the factory with the vent restrictor open. The restrictor is built into the appliance for secondary air flow adjustment. Adjustment enables tuning the airflow for optimum flame appearance and performance for a wide variety of vent configurations.

Setting:

- Determine the vent height.
- Determine the vent horizontal length.
- From the chart determine the restrictor position.

Refer to the chart (Figure 43), for the correct position of restrictor for the vent configuration of your installation. Restrictor positions are based upon lab tests. The ideal position may vary slightly with installation.

Restrictor position is closed too much if the flame has the following characteristics:

- Flame is excessively tall and lifting.
- Flame lacks movement.
- Flame soots.

Restrictor position is too open if the flame has the following characteristics:

- Flame height is low.
- Flame has excessive movement.

To adjust the restrictor:

- Loosen the screws holding the restrictor plates.
- Move the restrictor plates to its intended opening.
- Retighten the screws.

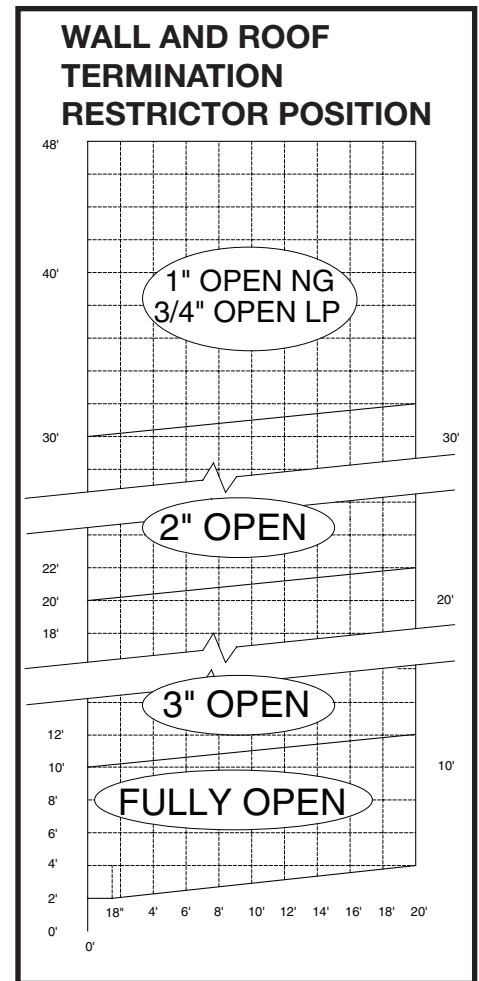


Figure 43: Restrictor rise and run chart.

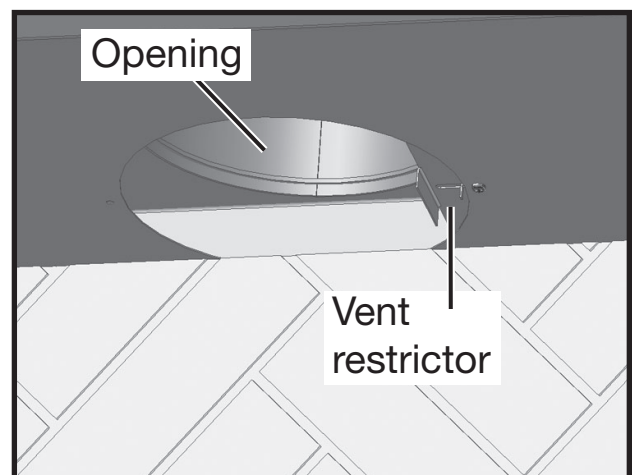


Figure 44: Vent restrictor.

**CAUTION:** The vent restrictor must be fully open when using the power vent

## Wall Shield

## Wall Termination Kit

### Ceiling Firestop Thimble

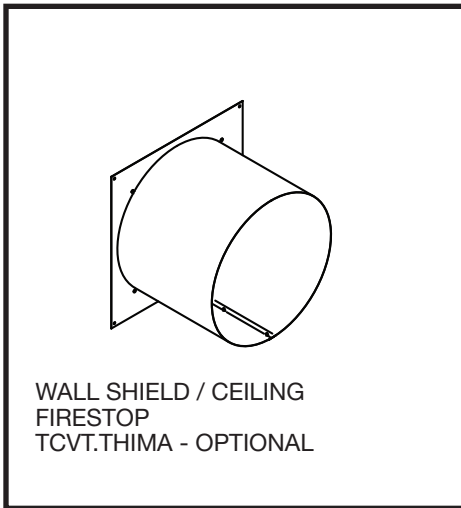


Figure 45: Ceiling fire-stop thimble.

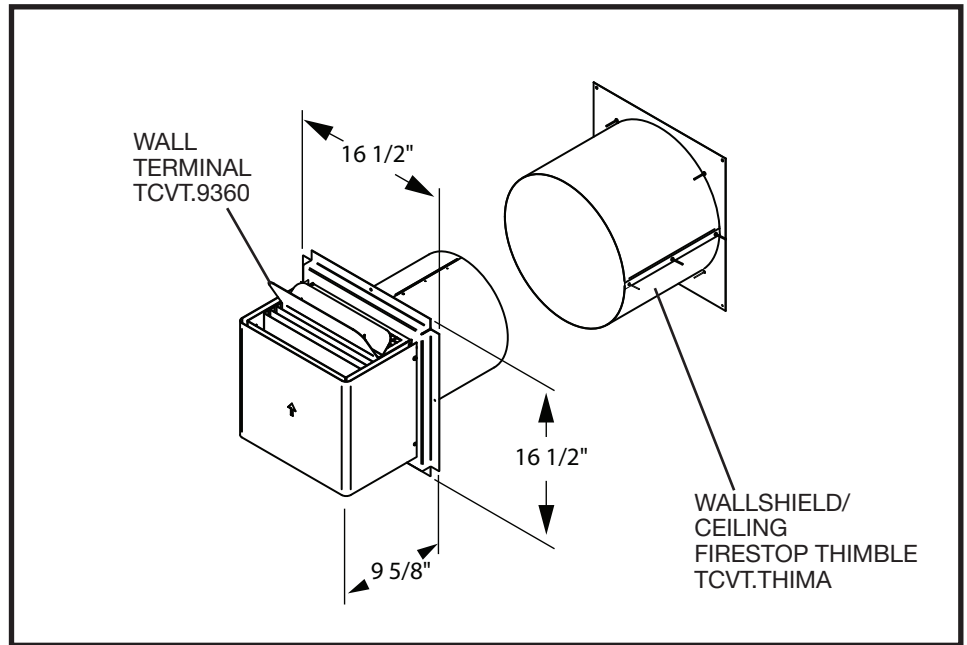


Figure 46: Wall termination kit.

## Roof Termination Kit

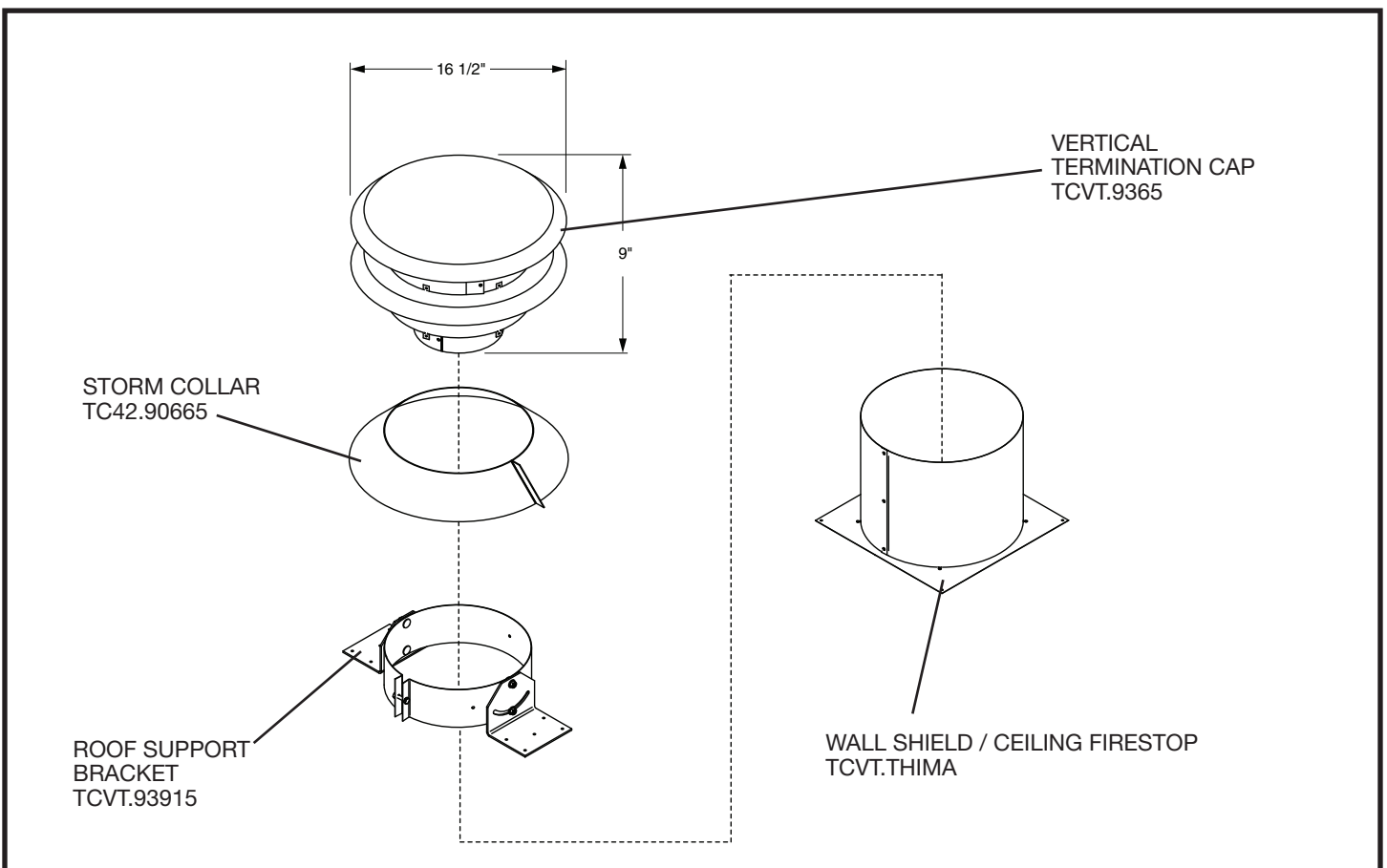


Figure 47: Roof termination kit.

# Vent Pipe Dimensions

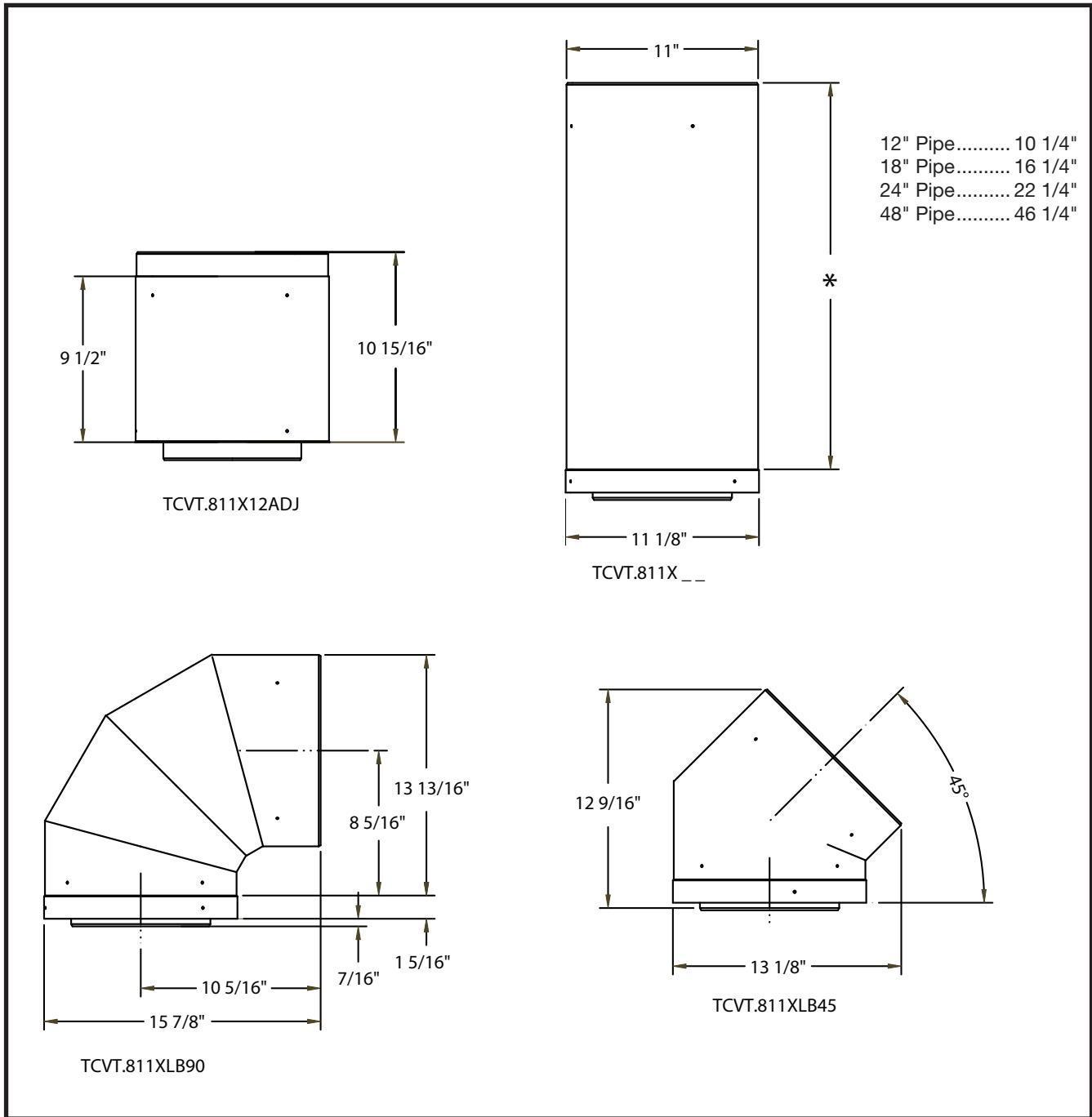
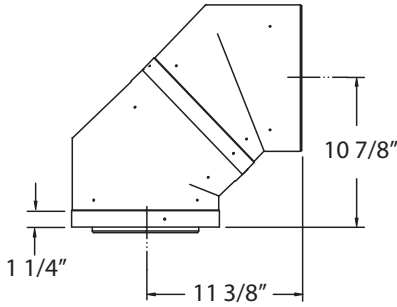
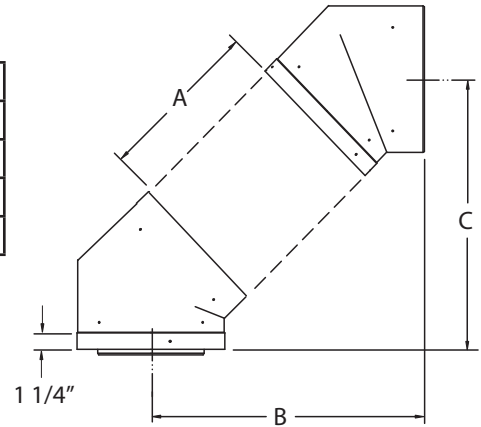


Figure 48: Vent pipe dimensions.

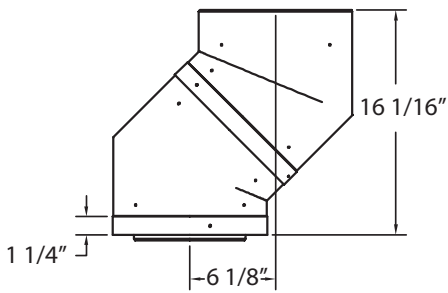
# Vent Offset Chart



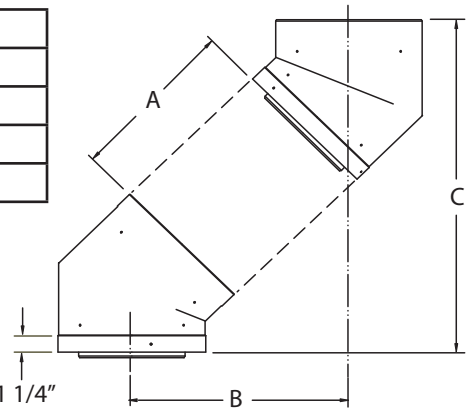
A	B	C
12" PIPE	18 5/8"	18"
18" PIPE	22 7/8"	22 3/8"
24" PIPE	27 1/8"	26 1/2"
48" PIPE	44 1/16"	43 1/2"



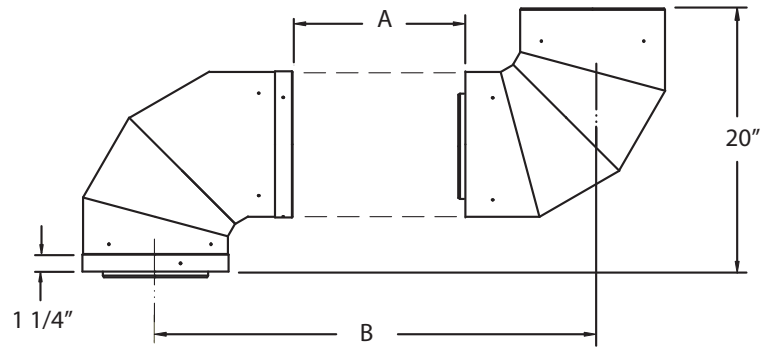
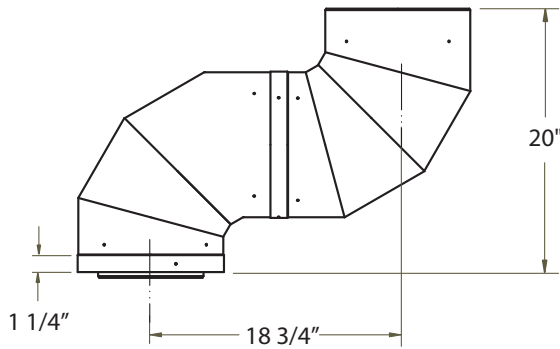
ADDING AN ADJUSTABLE SECTION TO PIPE WILL INCREASE OFFSET BY 2 1/8" TO 6 3/4"



A	B	C
12" PIPE	13 7/16"	23 1/4"
18" PIPE	17 9/16"	27 5/8"
24" PIPE	21 7/8"	31 3/4"
48" PIPE	38 3/4"	44 7/8"



ADDING AN ADJUSTABLE SECTION TO PIPE WILL INCREASE OFFSET BY 2 1/8" TO 6 3/4"



A	B
12" PIPE	29"
18" PIPE	35"
24" PIPE	41"
48" PIPE	65"

ADDING AN ADJUSTABLE SECTION TO PIPE WILL INCREASE OFFSET BY 3" TO 9 1/2"

Figure 49: Vent offsets.

# Firebox Panels Installation

## TC36ST PANEL SETS

PARK AVE. BEIGE HERRINGBONE .....	22200037
MOUNT VERNON RED HERRINGBONE .....	22200036
MANHATTAN BEIGE STACKED BRICK.....	22200034
BLACK PORCELAIN .....	22200030
COFFEE BEAN BROWN PORCELAIN .....	22200028
TITANIUM .....	22200031
COPPER.....	22200029

(See Porcelain panel instruction manual for specific instructions for these panels) Before proceeding see burner instructions.

A Firebox Panel Set must be installed for safe operation. Do not use the fireplace without panels. Unpack and inspect all panels. The panels need to be installed before the logs are in place.

**Caution: The Firebox Panels are very fragile, and should be handled with care.**

1. Remove the Side Panel Retainers located on the underside of the firebox heat shield. The retainers are each held in place by one screw.
2. Install the Left and Right Front Floor Panels
3. Install the Left and Right Rear Floor Panels.
4. Install the Left Side Panel by inserting the bottom of the panel in first and then angling it up into position. It may be necessary to push the firebox shield up to allow panel to move freely into place.
5. Install the Right Side Panel.
6. Reinstall Panel Retainers.

### (HERRINGBONE PANEL SET SHOWN)

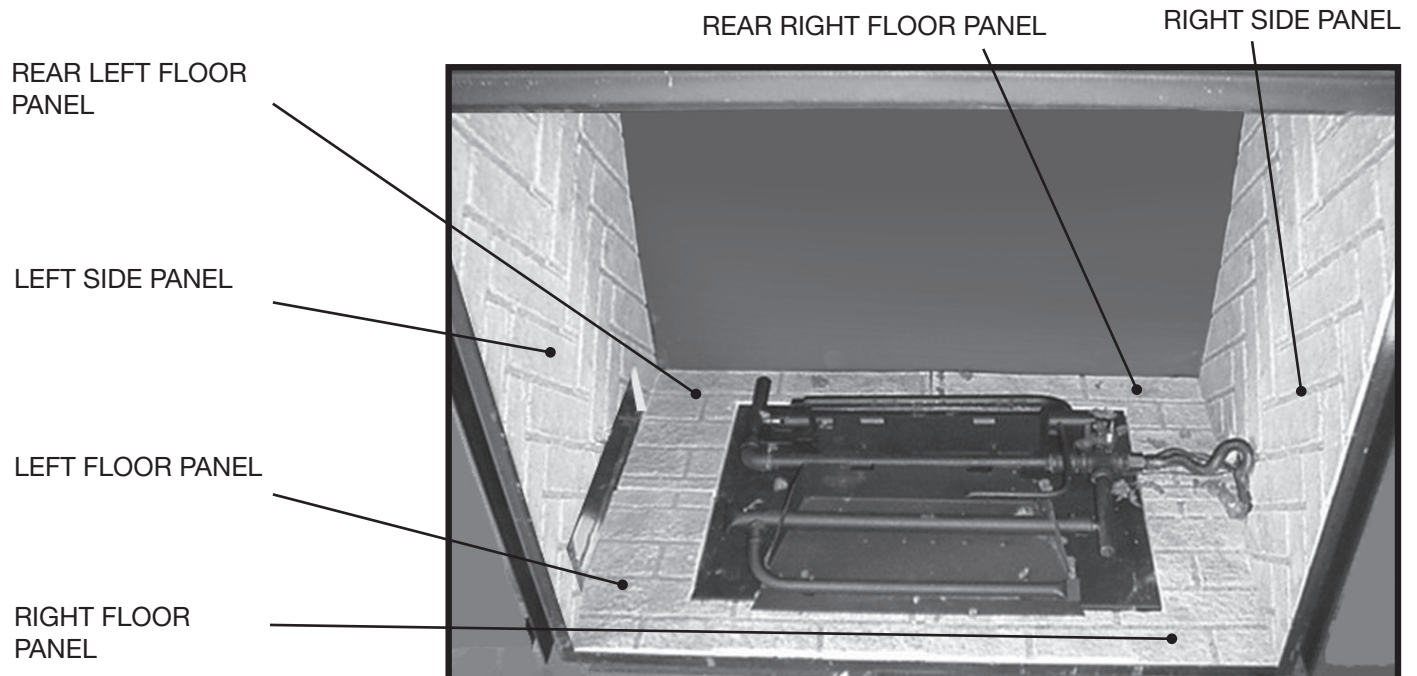


Figure 50: TC36ST Panels.



# Finishing Touch Trim Kit Instructions

To be installed on door frame.

1. Place two smaller magnets on back of each side rail.
2. Place two larger magnets on back of the top and bottom rails.
3. Attach the side rails. Even the ends up with the door frame.
4. Attach the top and bottom rails and adjust so mitres are even at the corners.

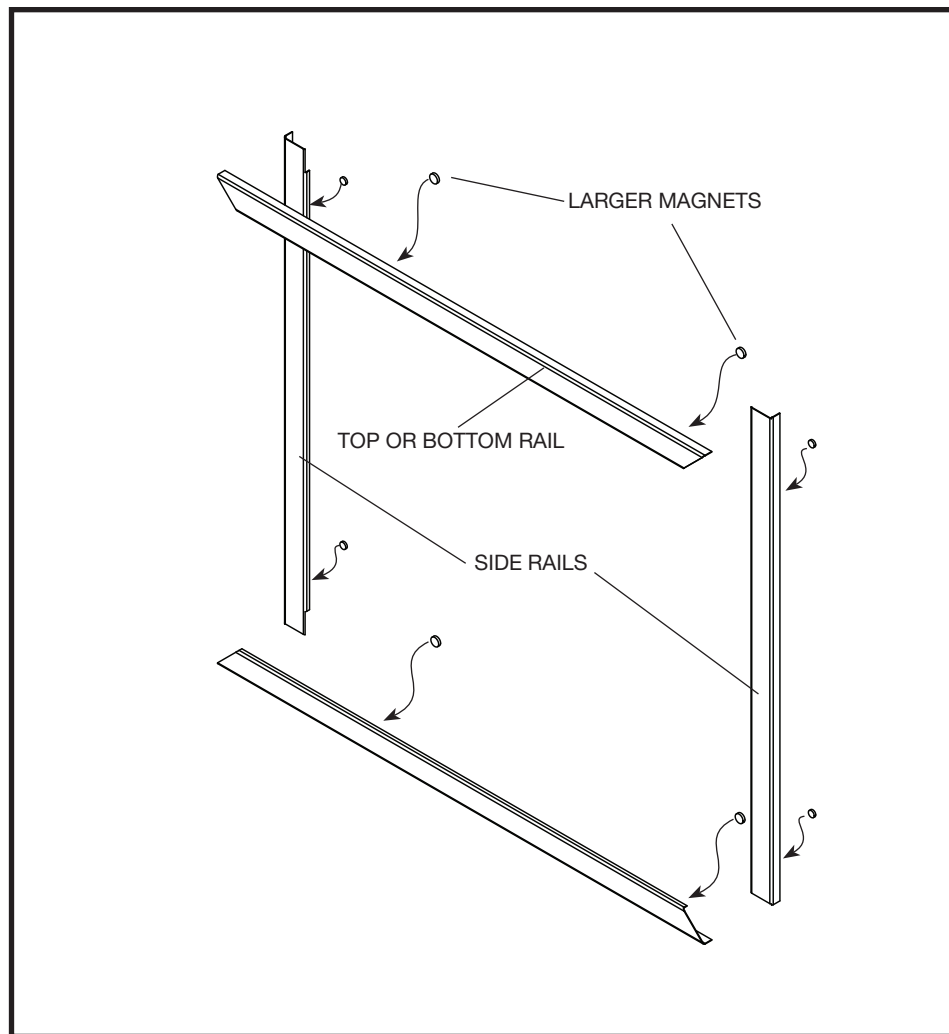


Figure 51: TC36ST Trim kit.

# Lighting Instructions

## FOR YOUR SAFETY READ BEFORE LIGHTING

**WARNING:** If you do not follow these instructions exactly, a fire or explosion may result causing property damage, personal injury or loss of life.

- A. This appliance is equipped with an ignition device which automatically lights the pilot. Do not try to light the pilot by hand.
- B. **BEFORE LIGHTING** smell all around the appliance area for gas. Be sure to smell next to the floor because some gas is heavier than air and will settle on the floor.
- WHAT TO DO IF YOU SMELL GAS:**
- Do not try to light any appliance.
  - Do not touch any electric switch; do not use any phone in your building.

- Immediately call your gas supplier from a neighbour's phone. Follow the gas supplier's instructions.
  - If you cannot reach your gas supplier, call the fire department.
- C. Use only your hand to push in or turn the gas control knob. Never use tools. If the knob will not push in or turn by hand, don't try to repair it, call a qualified service technician. Force or attempted repair may result in a fire or explosion.
- D. Do not use this appliance if any part has been under water. Immediately call a qualified service technician to inspect the appliance & to replace any part of the control system & any gas control which has been under water.

## LIGHTING INSTRUCTIONS

1. **STOP!** Read the safety information above on this label.
2. This appliance is equipped with an ignition device which automatically lights the pilot. Do not try to light the pilot by hand.
3. Push the "On/ Off" switch to turn the fireplace ON.
  - If the burner does light go to step 6.
  - If the burner does not light, complete steps 4 through 5.
  - If the burner will not light or stay lit after several tries, push the "On/ Off" switch for the fireplace to OFF, turn off all electric power

- to the fireplace and call your service technician or gas supplier.
- Note: Sufficient time must be allowed for air to escape from lines if the unit is being lit for the first time.
4. Push the "On/ Off" switch to the fireplace Off.
  5. Allow sufficient length of time (minimum 5 minutes) for any gas in the combustion chamber to escape. If you still smell gas, **STOP!** Follow "B" in the safety information above on this label. If you don't smell gas, go to step 3.
  6. Set fireplace to desired setting by using hand held remote.

## TO TURN OFF GAS APPLIANCE

1. Push the "on/ off" switch to the "Off" position.
2. Turn off all electric power to the appliance and remove backup batteries if service is to be performed or for extended shutdown.

Due to high surface temperatures, keep children, clothing and furniture away. Keep burner and control compartment clean. See installation and operating instructions accompanying the appliance.

A cause de la temperature elevee des parois, tenir eloignes les enfants, les vetements et les meubles. Maintenir propres le bruleur et le compartiment de commande. Voir les instructions relatives a l'installation et au fonctionnement qui accompagnent l'appareil.

**CAUTION:** Hot while in operation. Do not touch. Severe burns may result. Keep children, clothing, furniture, gasoline and other liquids having flammable vapours away. Keep burner and control compartment clean. See installation and operating instructions accompanying the appliance.

**ATTENTION:** L'appareil est chaud lorsqu'il fonctionne. Ne pas toucher l'appareil. Risque de brûlures graves. Surveiller les enfants. Garder les vêtements, le meubles, l'essence ou autres liquides produisant des vapeurs inflammables loin de l'appareil. S'assurer que le brûleur et le compartiment des commandes sont propres. Voir les instructions d'installation et d'utilisation qui accompagnent l'appareil.

090713

5051.185

GBWY

# Maintenance

## CAUTION:

Turn off gas and electrical power supply (if applicable) and allow ample time for unit to cool before servicing appliance. It is recommended that the fireplace and its venting should be inspected at least once a year by a qualified service person.

## Glass Panel:

**Warning: Do not operate fireplace with glass panel removed, cracked or broken. Replacement of the glass panel should be done by a licensed or qualified service person.**

Do not strike or otherwise impact the glass in anyway that may cause it to break. If the glass becomes cracked or broken it must be replaced before using the fireplace. Replacement glass can be obtained from your nearest Town & Country Fireplaces™ dealer. The size required is 36" x 30" x 5mm. Use ceramic glass only. Do not substitute with any other type.

To remove broken glass, remove window frame as noted in "Window Frame Removal" section.

Unclip the Glass Retainer Clips located at the top and sides of the Window Frame. Pull the top edge of the glass out of the frame first, then lift it up and out of the bottom edge.

Install the new piece of glass with the gasket into the frame so that the thickebead of gasket faces the fireplace.

Re-install glass retaining clips.

## Annual Inspection:

1. Remove glass panel and inspect the decorative burner media (such as logs, pebbles, glass etc) for soot build up. If excessive build-up of soot is present, have a qualified service person inspect and adjust the unit for proper combustion. Clean the decorative media and use a brush or vacuum cleaner to clean the burner, paying close attention to the burner ports.
2. Check the pilot system for proper flame size and operation. Clean pilot free of soot, dust or any other deposits
3. Check that the vent pipe and vent terminal are open and free from blockage or debris. If the venting is disassembled for cleaning, it must be properly assembled and re-sealed. Refer to venting sections for proper procedure.
4. Check glass panel gasket, replace if necessary. It is important that the glass seal be maintained in good condition.
5. Check and replace batteries as needed.

Note: The appliance area must be kept clear and free from combustible materials, gasoline and other flammable vapours and liquids.

Periodically:

- a) Viewing glass may be cleaned as necessary with fireplace glass cleaner.
- b) Exterior finish may be cleaned with mild soap and water.

## CAUTION:

Do not use abrasive cleaners on glass or any other part of the fireplace.

Do not clean glass when hot.

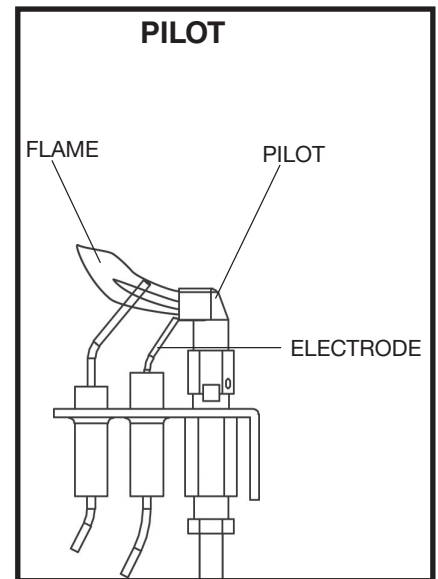


Figure 52: Pilot assembly.

# TC36.DST Replacement Parts

(WHEN ORDERING, INCLUDE PART NUMBER WITH DESCRIPTION)

ITEM	DESCRIPTION	PART NO.	ITEM	DESCRIPTION	PART NO.
#1	TC36ST BODY ASSY .....	22030007	#4	PANEL SETS	
#2	GLASS ASSY .....	80000211		PARK AVE. BEIGE HERRINGBONE .....	22200037
#3	FRAMING KIT .....	80001085		MT.VERNON RED HERRINGBONE.....	22200036
				MANHATTAN BEIGE STACKED BRICK .....	22200034
				BLACK PORCELAIN .....	22200030
				CB BROWN PORCELAIN.....	22200028
				TITANIUM .....	22200031
				COPPER.....	22200029

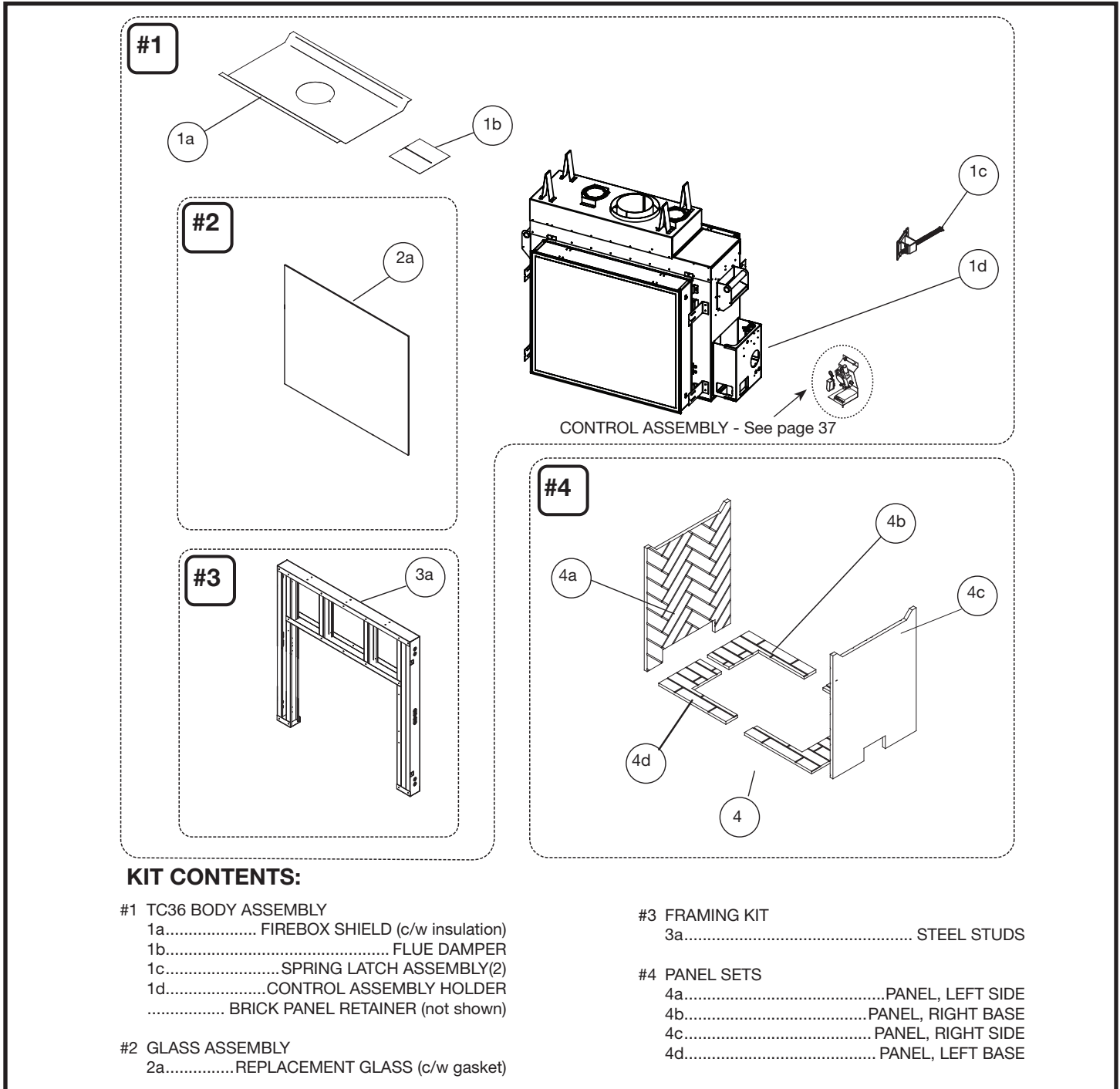
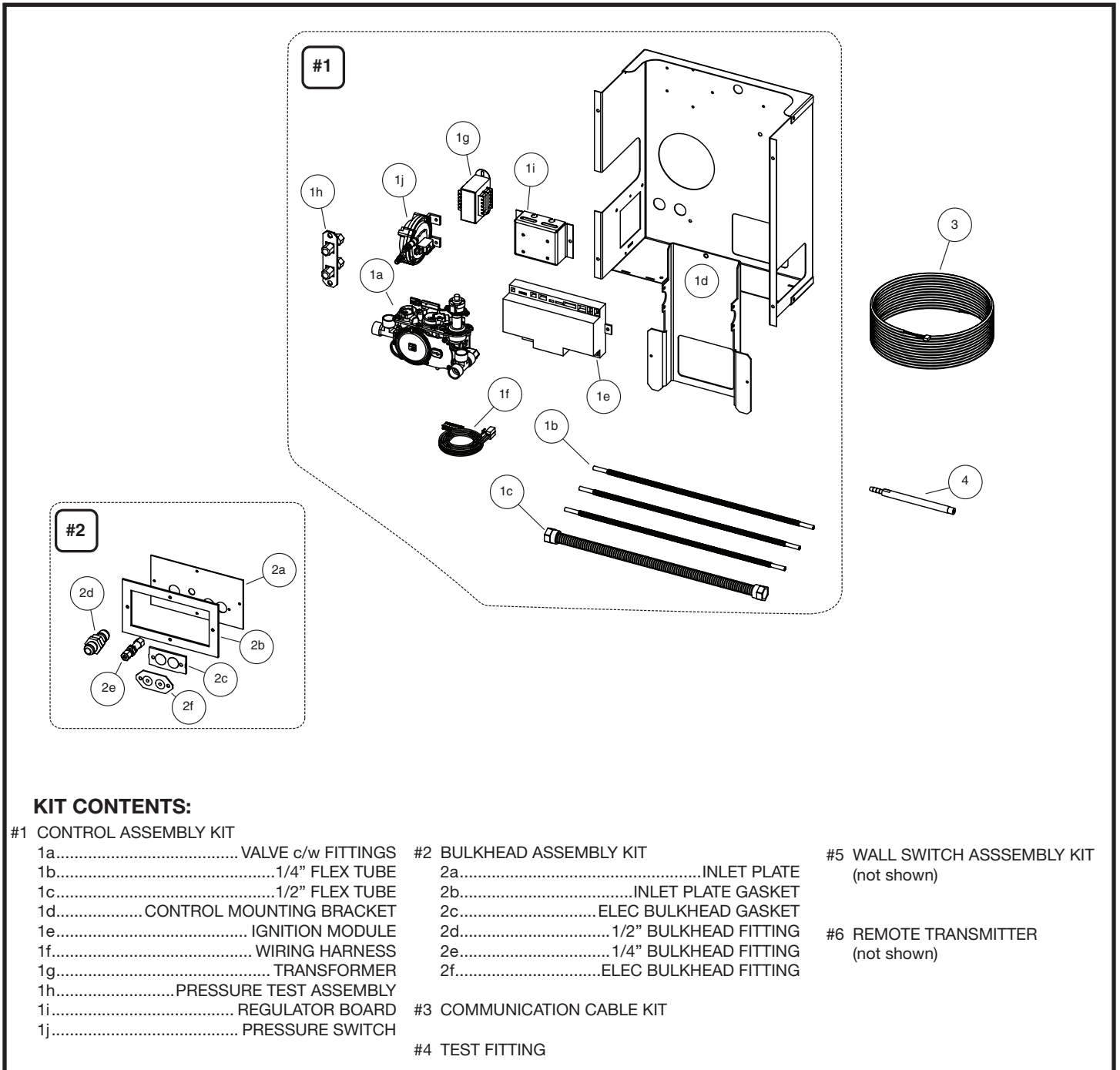


Figure 53: TC36ST Replacement parts.

# Replacement Parts – Control System

(WHEN ORDERING, INCLUDE PART NUMBER WITH DESCRIPTION)

ITEM	DESCRIPTION	PART NO.	ITEM	DESCRIPTION	PART NO.
#1	CONTROL ASSEMBLY KIT .....	80001260	#4	TEST FITTING .....	80001624
#2	BULKHEAD ASSEMBLY KIT .....	80000539	#5	WALL SWITCH ASSEMBLY KIT .....	80000498
#3	COMMUNICATION CABLE KIT .....	80001707	#6	REMOTE TRANSMITTER .....	80000519



**KIT CONTENTS:**

- |                                  |                               |                             |
|----------------------------------|-------------------------------|-----------------------------|
| #1 CONTROL ASSEMBLY KIT          |                               |                             |
| 1a..... VALVE c/w FITTINGS       | #2 BULKHEAD ASSEMBLY KIT      | #5 WALL SWITCH ASSEMBLY KIT |
| 1b..... 1/4" FLEX TUBE           | 2a..... INLET PLATE           | (not shown)                 |
| 1c..... 1/2" FLEX TUBE           | 2b..... INLET PLATE GASKET    |                             |
| 1d..... CONTROL MOUNTING BRACKET | 2c..... ELEC BULKHEAD GASKET  | #6 REMOTE TRANSMITTER       |
| 1e..... IGNITION MODULE          | 2d..... 1/2" BULKHEAD FITTING | (not shown)                 |
| 1f..... WIRING HARNESS           | 2e..... 1/4" BULKHEAD FITTING |                             |
| 1g..... TRANSFORMER              | 2f..... ELEC BULKHEAD FITTING |                             |
| 1h..... PRESSURE TEST ASSEMBLY   |                               |                             |
| 1i..... REGULATOR BOARD          | #3 COMMUNICATION CABLE KIT    |                             |
| 1j..... PRESSURE SWITCH          | #4 TEST FITTING               |                             |

Figure 54: TC36ST Control system.

# Wiring Diagram

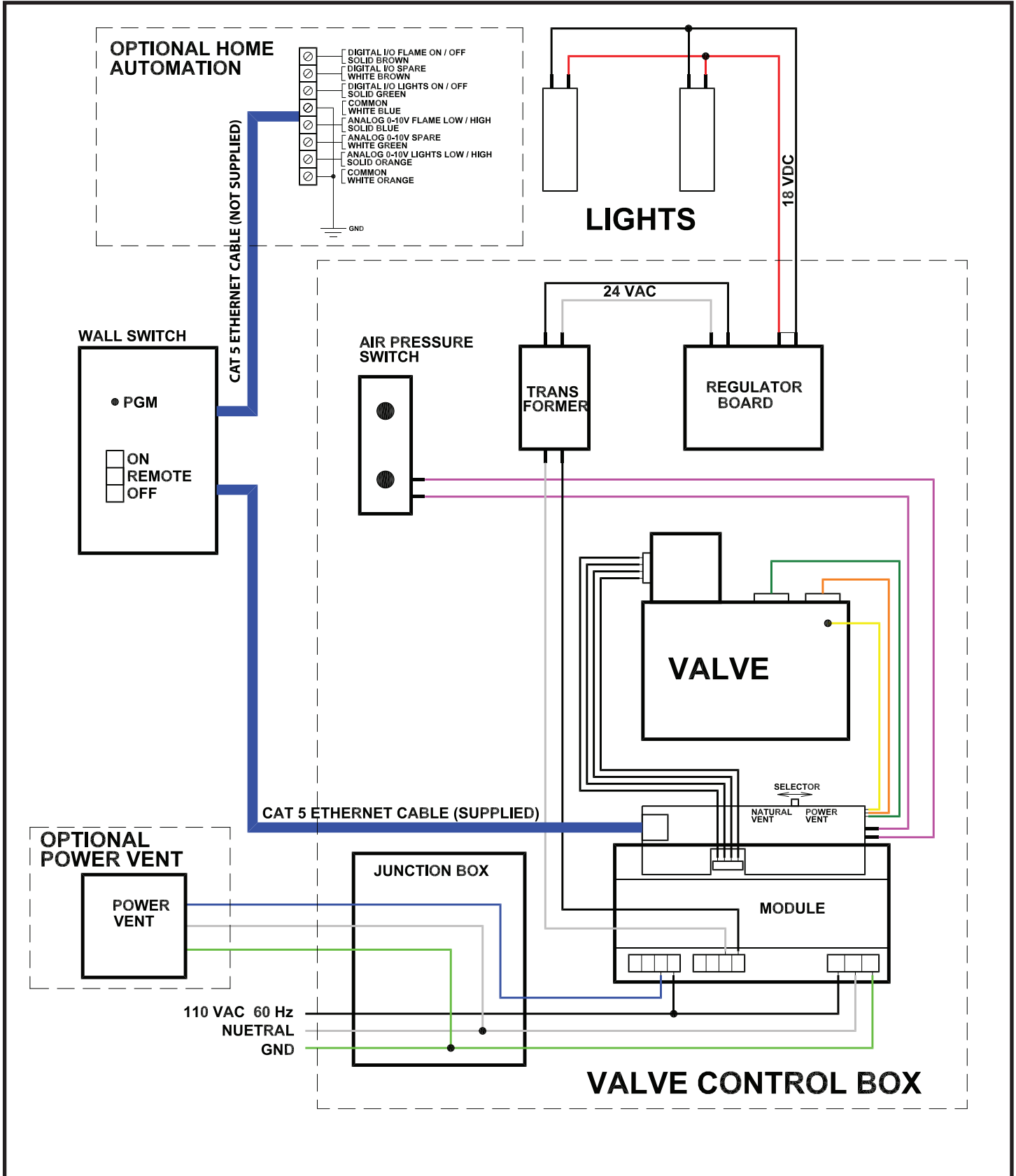



Figure 55: TC36ST Wiring diagram.

# Rating Label Location

**NOTE: The Rating Label is located on a plate found in a slot between the left hand side lintel and the left hand side window frame. This plate is attached to the lintel with a cable.**

	<b>VENTED GAS FIREPLACE - NOT FOR USE WITH SOLID FUEL</b> <b>FOYER AU GAZ À ÉVACUATION - NE PAS UTILISER AVEC DU COMBUSTIBLE SOLIDE</b>		<b>707</b>																				
	ANSI Z21.50-2014 / CSA 2.22-2014 Vented Gas Fireplaces CAN/CGA 2.17-M91 Gas-Fired Appliance For Use At High Altitudes. Certified for / Certifié pour Canada and U.S.A.		This Appliance is Equipped For Use With / Cet Appareil est Équipé Pour Utiliser Avec :																				
TOWN & COUNTRY FIREPLACES™	<b>FOR USE WITH/                  EN CASE D'EMPLOI AVEC:</b>		NATURAL GAS / DU GAZ NATUREL <span style="display: inline-block; width: 15px; height: 15px; background-color: black; vertical-align: middle;"></span>																				
<b>MODEL/                  MODELE: TC36ST</b>	Minimum supply pressure / Pression minimum d'alimentation: (For the purpose of input adjustment / dans le but de régler l'alimentation) Maximum supply pressure / Pression maximum d'alimentation:	NATURAL GAS/ DU GAZ NATUREL	LP GAS/ DU GAZ LP																				
<b>SERIES/                  SERIE: D</b>	Manifold pressure / Pression de la tuyauterie: Maximum	5.0 in/wc / 5.0 po/c.e. (1.25 kPa) 13.9 in/wc / 13.9 po/c.e. (3.45 kPa) 3.5 in/wc / 3.5 po/c.e. (0.95 kPa)	12.5 in/wc / 12.5 po/c.e. (3.11 kPa) 13.9 in/wc / 13.9 po/c.e. (3.45 kPa) 10.0 in/wc / 10.0 po/c.e. (2.74 kPa)																				
<b>MADE IN CANADA                  FABRIQUE AU CANADA</b>	Orifice Size / Diametre de l'injecteur:	(2.95 mm)	(1.78 mm)																				
	Input BTU/hr (kW) / Entree BTU/h (kW):	Max.: 61,000 (17.9) Min.: 41,000 (13.5)	Max.: 61,000 (17.9) Min.: 47,000 (14.1)																				
Optional components/ Éléments facultatifs: Powervent Kit/ kit de ventilation mécanique TCVT.PVI.25, TCVT.PV7.110, TCVT.PVCV Blower electrical rating: 115v, 60hz, 1.1 A / Normes électriques du ventilateur: 115v, 60hz, 1.1 A This appliance equipped for altitudes 0 - 4500 ft. (0 - 1372 m) / Cet unité est conçu pour des altitudes variant entre 0 - 4500 pieds (0 - 1372 m). In Canada, also certified for installation in a bedroom or a bedsitting room / Aussi certifié pour installation dans une chambre à coucher ou une salle de séjour. This appliance must be installed in accordance with local codes, if any; if none, follow the current CAN/CGA-B149 (Canada), or ANSI Z223.1 (USA) Installation Codes. Installer l'appareil selon les codes ou règlements locaux, ou, en l'absence de tels règlements, selon les codes d'installation CAN/CGA-B149 (Canada), or ANSI Z223.1 (USA) en vigueur.																							
<b>MANUFACTURED (MOBILE) HOME:</b> This appliance is only for use with the type of gas indicated on the rating plate and may be installed in an aftermarket, permanently located, manufactured (mobile) home where not prohibited by local codes. See owners manual for details. <b>FABRIQUEZ (MOBILE) MAISON:</b> Cet appareil doit être utilisé uniquement avec le type de gaz indiqué sur la plaque signalétique et peut être installé dans une maison préfabriquée (mobile) installée à demeure si les règlements locaux le permettent. Voir la notice du propriétaire pour plus de détails. Cet appareil ne peut être converti à d'autres gaz sauf si une trousse de conversion certifiée est utilisée. Install in accordance with the current standard Mobile Homes, CAN/CSA Z240 MH (in CANADA), and the Manufacturer's Home Construction and Safety Standard, Title 24 CFR, Part 3280, or the current Standard for Fire Safety Criteria for Manufactured Home Installations, Sites, and Communities ANSI/NFPA 501A, (in the U.S.A.). Cet appareil doit être installé conformément aux exigences de la norme CAN/CSA Z240 MH en vigueur de l'ACNOR, Installations de gaz dans les Constructions Mobiles. <b>FOR USE WITH THE GLASS AND SCREEN BARRIER CERTIFIED WITH THE APPLIANCE ONLY / POUR UTILISATION UNIQUEMENT AVEC LES PORTES IN VERRE CERTIFIÉES AVEC L'APPAREIL</b>																							
<b>MINIMUM CLEARANCES TO COMBUSTIBLES / CLAIRANCES MINIMALES AVEC LES COMBUSTIBLE</b> Left and Right side are determined when facing the front of the appliance. / Les côtés droit et gauche se déterminent en se mettant devant l'appareil et en lui faisant face.		<b>Pacific Energy</b> <b>Fireplace Products Ltd.</b> Duncan, British Columbia, Canada																					
Top, Back and Side Standoffs / Sommet, Arrière et Côté Butée Sidewall to Appliance / Du mur latéral a l'appareil Ceiling to Appliance / Plafond a l'appareil Mantel to Appliance / Du manteau al'appareil Maximum Mantel Extension / Allongement maximum du manteau *See Installation Manual for more detail / Voyez des Directive de l'Installation pour plus détails. Mantel Supports / Supports du manteau Vent Pipe / Déchargez le Tuyau		<table border="1" style="width: 100%; border-collapse: collapse;"> <tr> <td style="width: 50%;">0 in./ 0 po.</td> <td style="width: 50%;">(0 mm)</td> </tr> <tr> <td>4 in./ 4 po.</td> <td>(102 mm)</td> </tr> <tr> <td>24 in./ 24 po.</td> <td>(610 mm)</td> </tr> <tr> <td>*9 in./ 9 po.</td> <td>(229 mm)</td> </tr> <tr> <td>*12 in./ 12 po.</td> <td>(305 mm)</td> </tr> <tr> <td>4 in./ 4 po.</td> <td>(102 mm)</td> </tr> <tr> <td>1.75 in./ 1.75 po.</td> <td>(45 mm)</td> </tr> </table>		0 in./ 0 po.	(0 mm)	4 in./ 4 po.	(102 mm)	24 in./ 24 po.	(610 mm)	*9 in./ 9 po.	(229 mm)	*12 in./ 12 po.	(305 mm)	4 in./ 4 po.	(102 mm)	1.75 in./ 1.75 po.	(45 mm)						
0 in./ 0 po.	(0 mm)																						
4 in./ 4 po.	(102 mm)																						
24 in./ 24 po.	(610 mm)																						
*9 in./ 9 po.	(229 mm)																						
*12 in./ 12 po.	(305 mm)																						
4 in./ 4 po.	(102 mm)																						
1.75 in./ 1.75 po.	(45 mm)																						
<b>WARNING:</b> Improper installation, adjustment, alteration, service or maintenance can cause injury or property damage. Refer to the owner's information manual provided with this appliance. For assistance or additional information, consult a qualified installer, service agency or the gas supplier. <b>AVERTISSEMENT:</b> Une installation, un réglage, une modification, une réparation ou un entretien mal effectué peut causer des dommages matériels ou des blessures. Voir la notice de l'utilisateur qui accompagne l'appareil. Pour de l'aide ou des renseignements supplémentaires, consultez un installateur, un technicien agréé ou le fournisseur de gaz.																							
030914	5050.7207D	<table border="1" style="width: 100%; border-collapse: collapse;"> <tr> <th colspan="5">DATE OF MANUFACTURE</th> </tr> <tr> <td>JAN</td> <td>FEB</td> <td>MAR</td> <td>APR</td> <td>2014</td> </tr> <tr> <td>MAY</td> <td>JUN</td> <td>JUL</td> <td>AUG</td> <td>2015</td> </tr> <tr> <td>SEP</td> <td>OCT</td> <td>NOV</td> <td>DEC</td> <td>2016</td> </tr> </table>		DATE OF MANUFACTURE					JAN	FEB	MAR	APR	2014	MAY	JUN	JUL	AUG	2015	SEP	OCT	NOV	DEC	2016
DATE OF MANUFACTURE																							
JAN	FEB	MAR	APR	2014																			
MAY	JUN	JUL	AUG	2015																			
SEP	OCT	NOV	DEC	2016																			
		1-TC36-D																					

© 2018 Copyright Pacific Energy Fireplace Products LTD

Reproduction, adaptation, or translation  
without prior written permission is prohibited,  
except as allowed under the copyright laws.



TOWN & COUNTRY  
L U X U R Y F I R E P L A C E S

**For technical support, contact your retailer.**

**Web site: [www.townandcountryfireplaces.com](http://www.townandcountryfireplaces.com)  
2975 Allenby Rd., Duncan, BC V9L 6V8**