

PHENOM

MULTI SIDED

SPECIFICATIONS AND FEATURES

PHENOM SEE THROUGH CONTEMPORARY

**L38FSD,
L42FSD,
L52FSD**

See through
Direct vent

QUICK DIMENSIONS

	L38FSD		L42FSD		L52FSD	
	UNIT	FRAM.	UNIT	FRAM.	UNIT	FRAM.
F.WIDTH	39 ⁵ / ₁₆	41	43 ⁵ / ₁₆	45	58 ¹ / ₄	60
B.WIDTH	39 ⁵ / ₁₆	41	43 ⁵ / ₁₆	45	58 ¹ / ₄	60
HEIGHT	33 ³ / ₁₆	40	33 ⁷ / ₈	40	34 ¹³ / ₁₆	39
DEPTH	25 ¹ / ₈	23 ³ / ₄	25 ¹ / ₄	23 ³ / ₄	25 ⁵ / ₁₆	23 ³ / ₄
VIEWING	35 ¹ / ₄ × 19 ⁵ / ₈		39 ¹ / ₂ × 20 ⁵ / ₁₆		47 × 21 ¹³ / ₁₆	

Standard

Contemporary burner with Ice fireglass

Comes with Proflame 2 BASIC control system

Manual Hi-Lo flame control

Options

Glass media

Surrounds in satin black or stainless steel

Multi-function remote control

Battery backup

Remote controlled fans



BTU LISTING

L38FSD** / 27,000
L42FSD** / 34,000
L52FSD** / 40,000

EFFICIENCY

L38FSDN / FE 58.6
L42FSDN / FE 58
L52FSDN / P4 56.71

L38FSDNI / FE 58
L42FSDNI / FE 57
L52FSDNI / P4 56.99

L38FSDL / FE 58.6
L42FSDL / FE 58
L52FSDL / FE 60

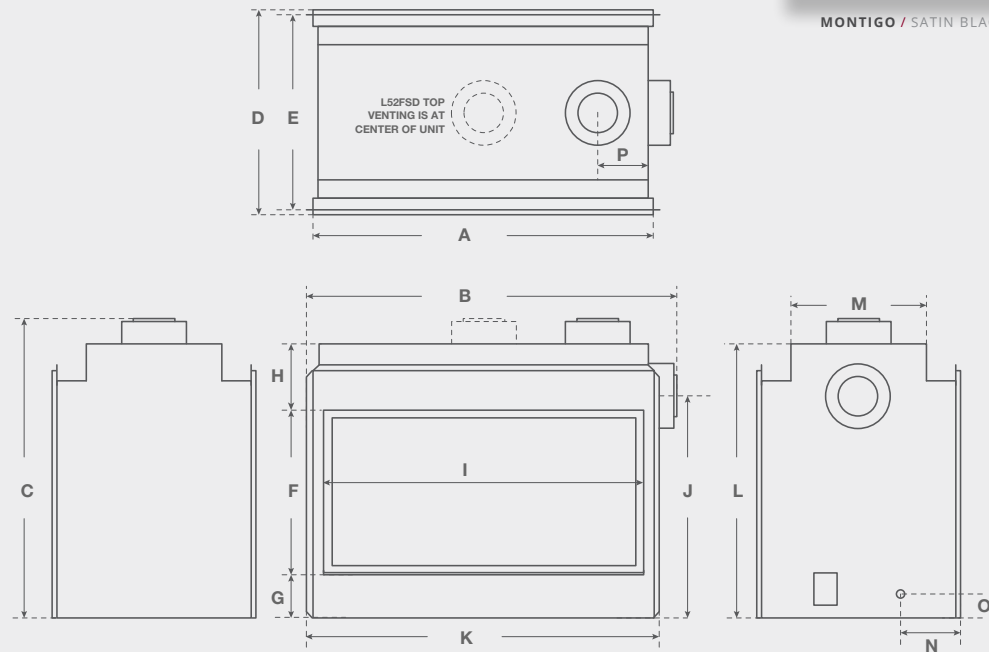
L38FSDLI / FE 59.6
L42FSDLI / FE 60
L52FSDLI / FE 61.2



PHENOM FSD DIMENSIONS

MONTIGO / STAINLESS STEEL SURROUND

MONTIGO / SATIN BLACK SURROUND



	A	B	C	D	E	F	G	H	I	J	K	L	M	N	O	P
L38FSD	37 ³ / ₄	41 ¹ / ₈	36	25 ¹ / ₄	23 ³ / ₈	19 ³ / ₈	5 ¹ / ₄	9	35 ¹ / ₄	26 ⁵ / ₈	39 ⁵ / ₁₆	33 ³ / ₁₆	18 ⁵ / ₈	7 ³ / ₈	3	6 ¹ / ₄
L42FSD	42	45 ¹ / ₁₆	37	25 ¹ / ₄	23 ³ / ₈	20 ⁵ / ₁₆	5 ¹ / ₂	8 ³ / ₁₆	39 ¹ / ₂	27 ⁷ / ₁₆	43 ⁹ / ₁₆	33 ³ / ₈	16 ¹ / ₁₆	7 ³ / ₈	3	6 ¹ / ₄
L52FSD	52	n/a	38 ¹ / ₈	25 ¹ / ₄	23 ³ / ₈	21 ¹³ / ₁₆	5 ¹ / ₂	7 ⁷ / ₁₆	47	n/a	58 ¹ / ₄	34 ¹³ / ₁₆	10 ¹⁵ / ₁₆	7 ³ / ₈	3	29 ¹ / ₈



MONTIGO / PHENOM / L38FSD

MONTIGO / PHENOM / L38FSD / SAGE FIREBEADS



REMOTE[†]
RX100**



WALL REMOTE
REC1493

OPTIONS &
FEATURES

[†]Available on IPI ignition units only (other remotes available for standing pilot)

Unit Specifications

Icon Legend

AVAILABLE +

NOT AVAILABLE -

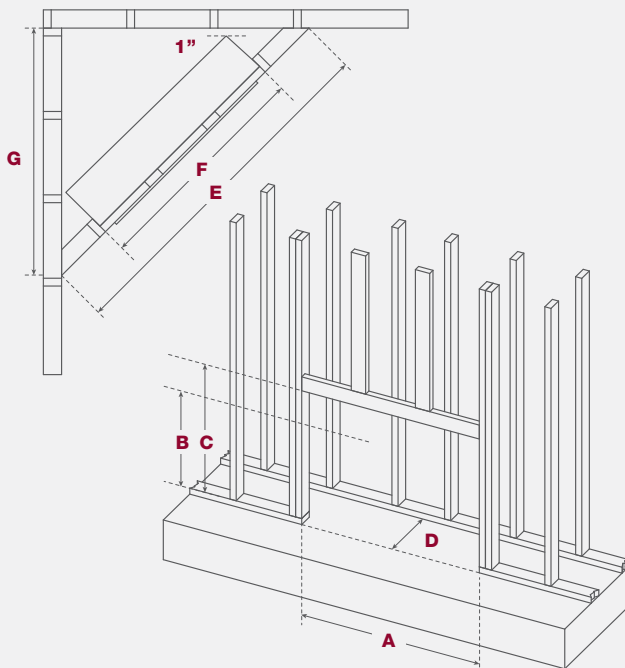
DEDICATED ◊

STANDARD ○

	BTU Natural Gas	BTU Liquid Propane	Venting	Clearance Top - Rear vent	Clearance Top - Top vent	Clearance Sides	Clearance Back	Clearance Floor	Front viewing area	Front glass type	Standard media	Invisimesh screen	Powervent	Remote control	Fans	Uplighting	Downlighting
PL38DF*I	25,000	25,000	5"/8"	9	17½	0	0	0	35¾ × 19½	Borosilicate	HW1157	○	+	+	+	-	-
PL42DF*I	32,000	32,000	5"/8"	9	17½	0	0	0	39½ × 20¾	Borosilicate	HW1157	○	+	+	+	-	-
PL52DF*I	40,000	40,000	5"/10"	12	26	2½	1	0	47 × 21⅞	Tempered	HW1157	○	+	+	+	-	-
P38DF*I	25,000	25,000	5"/8"	9	17½	0	0	0	35¾ × 19½	Borosilicate	HW1106	○	+	○	○	○	-
P42DF*I	32,000	32,000	5"/8"	9	17½	6	0	0	39½ × 20¾	Borosilicate	HW1106	○	+	○	○	○	-
P52DF*I	40,000	40,000	5"/10"	12	26	2½	1	0	47 × 21⅞	Tempered	HW1106	○	+	○	○	○	-
L38FSD*I	27,000	27,000	5"/8"	24	24	6	2	0	35¼ × 19¾	Tempered	HW1157	○	+	+	+	-	-
L42FSD*I	34,000	34,000	5"/8"	24	24	6	2	0	39½ × 20¾	Tempered	HW1157	○	+	+	+	-	-
L52FSD*I	40,000	40,000	5"/8"	24	24	6	2	0	47 × 21¾	Tempered	HW1157	○	+	+	-	-	-

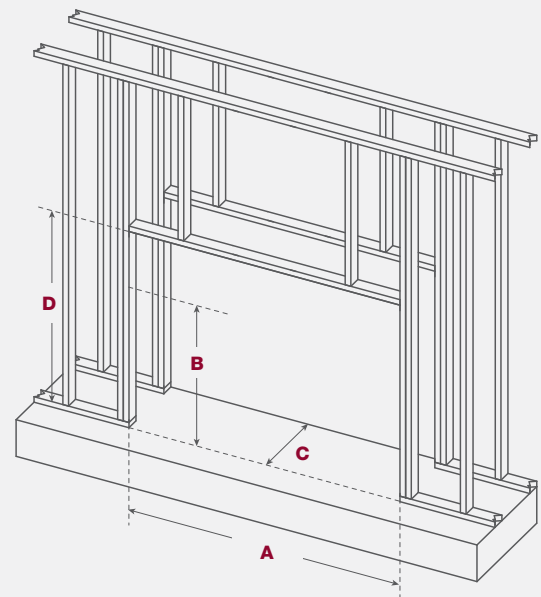
PHENOM SINGLE SIDED FRAMING

	A	B†	C	D	E	F	G
P38	37¾	34¼	41¼	20⅞	76¼	37¾	53⅞
P42	42	35	42	21⅞	84½	42	59¾
P52	52	37½	43¾	24½	98	52	64¼



PHENOM SEE THROUGH FRAMING

	A	B†	C	D
P38	41	34½	23¾	40
P42	45	35	23¾	40
P52	59	N/A	23¾	39



† "B" dimension is from grade to non-combustible stud
Header on edge not required if framing meets clearance to venting