

Features

Ventless design

Stainless steel construction

OUTDOOR / PROUDLY HANDCRAFTED IN NORTH AMERICA

DIVINE
OUTDOOR  SERIES

CREATE YOUR OUTDOOR OASIS

H38SVO
TRADITIONAL

HL38SVO
CONTEMPORARY

Standard

Traditional burner and logset

Manual Hi-Lo flame control

Wrought iron grate

Safety screen

Options

Freestanding cool-touch enclosure (HSI units only)

Standard

Contemporary burner with Ice fireglass

Manual Hi-Lo flame control

Safety screen

Options

Glass media

Freestanding cool-touch enclosure (HSI units only)

H38SVO, HL38SVO

SEE THROUGH
VENTLESS
OUTDOOR

QUICK DIMENSIONS

		H38SVO	
		UNIT	FRAM.
F.WIDTH	43⁹/₁₆	42	
B.WIDTH	28⁷/₈	42	
HEIGHT	41⁵/₁₆	46¹/₂	
DEPTH	20³/₈	21⁵/₈	
VIEWING	39¹/₂ x 28³/₄		

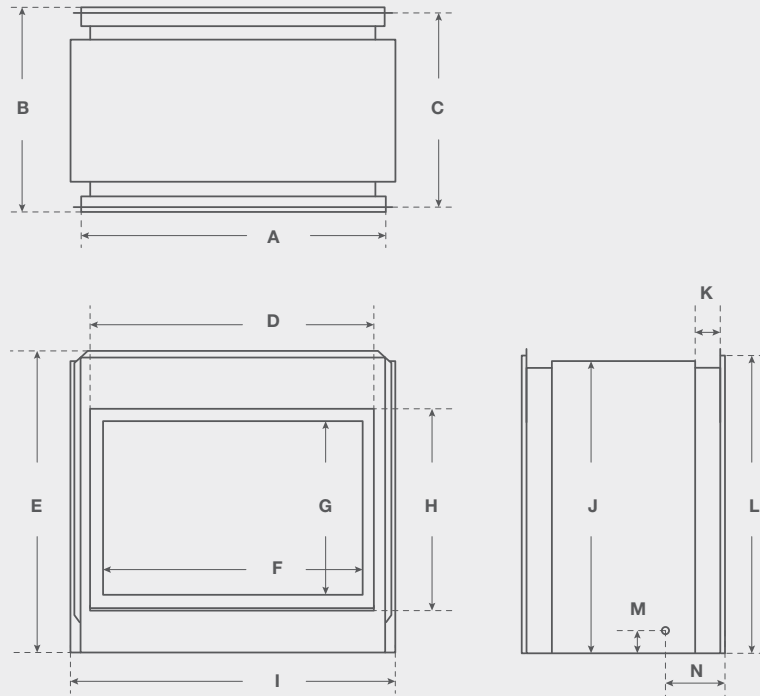
BTU LISTING

H38SVO* / 45,000
HL38SVO* / 45,000





DIVINE OUTDOOR SEE THROUGH DIMENSIONS



	A	B	C	D	E	F	G	H	I	J	K	L	M	N
H38SVO	37 ³ / ₄	25 ³ / ₁₆	24	25	36 ⁹ / ₁₆	32 ¹ / ₈	21 ¹ / ₁₆	25	40 ¹ / ₈	36 ³ / ₁₆	3 ¹ / ₁₆	36 ¹ / ₂	3	5 ¹ / ₄



MONTIGO / DIVINE / H38SYON / TRADITIONAL LOGSET / SHOWN WITHOUT SCREEN



OPTIONS & FEATURES



COOLTOUCH ENCLOSURE¹
RTSCH38VO

Unit Specifications

ICON LEGEND

AVAILABLE +

NOT AVAILABLE -

DEDICATED ◊

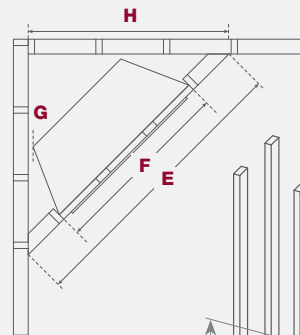
STANDARD ○

	BTU NATURAL GAS	BTU LIQUID PROPANE	CLEARANCE TOP	CLEARANCE SIDES	CLEARANCE BACK	CLEARANCE FLOOR	STANDARD MEDIA	FRONT GLASS TYPE	POWERVENT	REMOTE CONTROL	FANS	UPLIGHTING	DOWNLIGHTING
H34VO**	26,000	26,000	9	1†	1†	0	TRADITIONAL	HIGH TEMPERATURE	-	-	-	-	-
H38VO**	34,000	34,000	9	1†	1†	0	TRADITIONAL	HIGH TEMPERATURE	-	-	-	-	-
HL38VO**	34,000	34,000	9	1†	1†	0	HW1157	HIGH TEMPERATURE	-	-	-	-	-
H38SVO**	34,000	34,000	36	12	N/A	0	TRADITIONAL	HIGH TEMPERATURE	-	-	-	-	-
HL38SVO**	34,000	34,000	36	12	N/A	0	HW1157	HIGH TEMPERATURE	-	-	-	-	-
H42VO**	40,000	40,000	9	1†	1†	0	TRADITIONAL	HIGH TEMPERATURE	-	-	-	-	-
PL42VO*	28,000	28,000	0	1	0	0	HW1106	HIGH TEMPERATURE	-	-	◊	+	-
PL60VO*	47,000	47,000	0	1	0	0	HW1106	HIGH TEMPERATURE	-	-	◊	+	-

†Clearance to insulation jacket is 0"

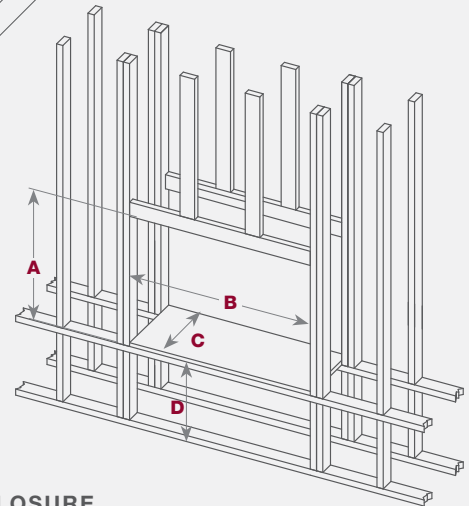
DIVINE OUTDOOR FRAMING

	A	B	C	D	E	F	G	H
H34VO	38¾	35⅝	20¼†	*	61⅞	35⅝	0	43⅞
H38VO	42½	39¼	21⅝†	*	65⅞	39¼	0	49⅞
H42VO	46½	43½	22⅝†	*	72¼	43½	0	51⅞



DIVINE OUTDOOR ST FRAMING

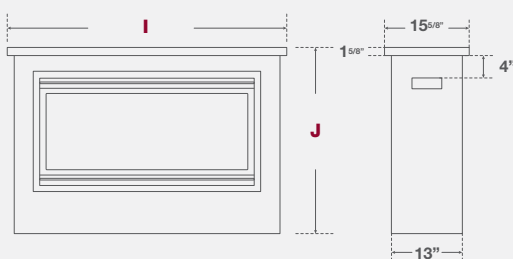
	A	B	C	D
H38SVO	38	41	23⅞	*



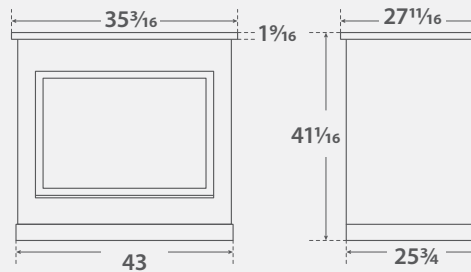
MAHANA FRAMING AND ENCLOSURE

	A	B	C	D	E	F	G	H	I	J
PL42VO	27¼	42	11⅝	*	62⅞	42	0	48⅞	51⅞	34⅝
PL60VO	27¼	66	11⅝	*	87	66	0	65½	76⅞	34⅝

MAHANA ENCLOSURE



DIVINE OUTDOOR ST ENCLOSURE



See instruction manual for detailed instructions

Be sure to plan a drain system for both in the wall and stand-alone installations.

*Check local codes and manual for minimum distance from grade to unit.

†Dimension is to back wall or back studs