

OUTDOOR / PROUDLY HANDCRAFTED IN NORTH AMERICA



DIVINE
OUTDOOR  SERIES

REDEFINE YOUR OUTDOOR SPACE

H34 H38 H42
TRADITIONAL

HL38
CONTEMPORARY

H34VO
H38VO
HL38VO
H42VO

SINGLE SIDED
VENTLESS
OUTDOOR

Standard

Traditional burner and logset
Safety screen

Options

Various traditional liners
Mirror back panel
Drain pan
Wrought iron grate

Standard

Contemporary burner with Ice fireglass
Safety screen

Options

Glass media
Drain pan



QUICK DIMENSIONS

	H34VO		H38VO		H42VO	
	UNIT	FRAM.	UNIT	FRAM.	UNIT	FRAM.
F.WIDTH	33 ³ / ₈	33 ³ / ₈	37 ³ / ₄	37 ³ / ₄	42	42
B.WIDTH	24	33 ³ / ₈	27	37 ³ / ₄	29 ¹ / ₂	42
HEIGHT	33 ¹ / ₄	38 ³ / ₄	37	42 ¹ / ₂	41	46 ¹ / ₂
DEPTH	19 ¹ / ₄	20 ¹ / ₄	20 ³ / ₈	21 ³ / ₈	21 ³ / ₈	22 ³ / ₈
VIEWING	18 ¹ / ₄ x 27 ¹ / ₄		21 ⁵ / ₈ x 32 ¹ / ₈		25 ¹ / ₂ x 36 ¹ / ₂	

BTU LISTING

H34VO*E / 26,000
H34VO* / 26,000

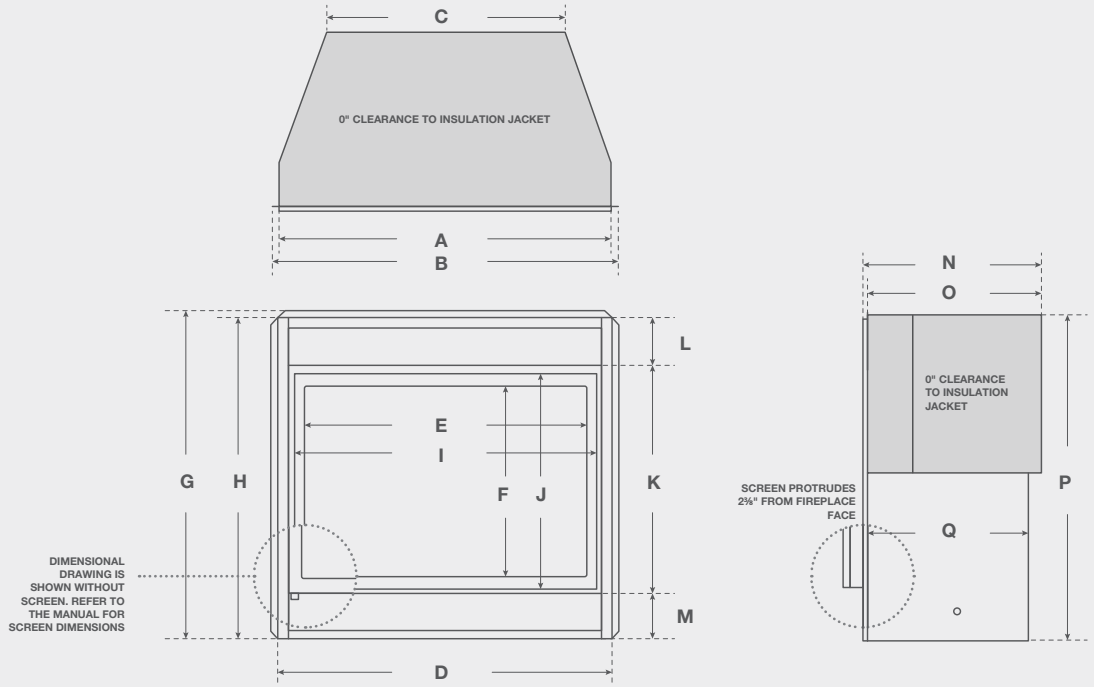
H38VO*E / 34,000
H38VO* / 34,000

HL38VO*E / 34,000
HL38VO* / 34,000

H42VO*E / 40,000
H42VO* / 40,000



DIVINE OUTDOOR DIMENSIONS



	A	B	C	D	E	F	G	H	I	J	K	L	M	N	O	P	Q
H34VO	33 $\frac{3}{8}$	35 $\frac{3}{8}$	24	33 $\frac{7}{8}$	27 $\frac{1}{4}$	18 $\frac{1}{4}$	34 $\frac{1}{4}$	33 $\frac{3}{4}$	31 $\frac{1}{8}$	21 $\frac{1}{8}$	23	5 $\frac{1}{2}$	5 $\frac{1}{4}$	19 $\frac{1}{4}$	18 $\frac{3}{8}$	33 $\frac{1}{4}$	17
H38VO	37 $\frac{3}{4}$	39 $\frac{1}{4}$	27	37 $\frac{3}{4}$	32 $\frac{1}{2}$	21 $\frac{1}{2}$	37 $\frac{1}{4}$	36 $\frac{1}{2}$	34 $\frac{3}{4}$	24 $\frac{1}{2}$	25 $\frac{3}{4}$	5 $\frac{1}{2}$	5 $\frac{1}{4}$	20 $\frac{3}{8}$	19 $\frac{3}{4}$	37	18 $\frac{1}{8}$
H42VO	42	43 $\frac{1}{2}$	29 $\frac{1}{2}$	42	36 $\frac{1}{2}$	25 $\frac{1}{2}$	41 $\frac{1}{4}$	40 $\frac{1}{2}$	39	28 $\frac{1}{2}$	28 $\frac{3}{8}$	6 $\frac{3}{8}$	5 $\frac{1}{4}$	21 $\frac{3}{8}$	20 $\frac{3}{4}$	41	19 $\frac{5}{8}$

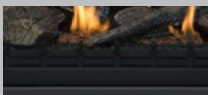
MONTIGO / DIVINE / H138VON / SAGE FIREBEADS / SHOWN WITHOUT SCREEN



MONTIGO / DIVINE / H34VON / SHOWN WITHOUT SCREEN



OPTIONS & FEATURES

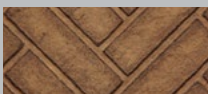


IRON GRATE
HWIG**



DRAIN PAN
ODSSP**

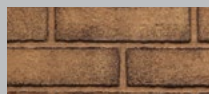
LINERS



HERRING BONE
HBK**



COLONIAL
HBK**



HERITAGE
HBK**



MIRROR
RPH**VOR

Unit Specifications

ICON LEGEND

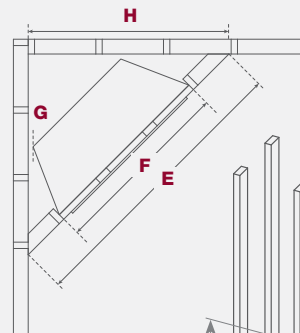
AVAILABLE	+	NOT AVAILABLE	-
DEDICATED	◊	STANDARD	◦

	BTU NATURAL GAS	BTU LIQUID PROPANE	CLEARANCE TOP	CLEARANCE SIDES	CLEARANCE BACK	CLEARANCE FLOOR	STANDARD MEDIA	FRONT GLASS TYPE	POWERVENT	REMOTE CONTROL	FANS	UPLIGHTING	DOWNLIGHTING
H34VO**	26,000	26,000	9	1†	1†	0	TRADITIONAL	HIGH TEMPERATURE	-	-	-	-	-
H38VO**	34,000	34,000	9	1†	1†	0	TRADITIONAL	HIGH TEMPERATURE	-	-	-	-	-
HL38VO**	34,000	34,000	9	1†	1†	0	HW1157	HIGH TEMPERATURE	-	-	-	-	-
H38SVO**	34,000	34,000	36	12	N/A	0	TRADITIONAL	HIGH TEMPERATURE	-	-	-	-	-
HL38SVO**	34,000	34,000	36	12	N/A	0	HW1157	HIGH TEMPERATURE	-	-	-	-	-
H42VO**	40,000	40,000	9	1†	1†	0	TRADITIONAL	HIGH TEMPERATURE	-	-	-	-	-
PL42VO*	28,000	28,000	0	1	0	0	HW1106	HIGH TEMPERATURE	-	-	◊	+	-
PL60VO*	47,000	47,000	0	1	0	0	HW1106	HIGH TEMPERATURE	-	-	◊	+	-

†Clearance to insulation jacket is 0"

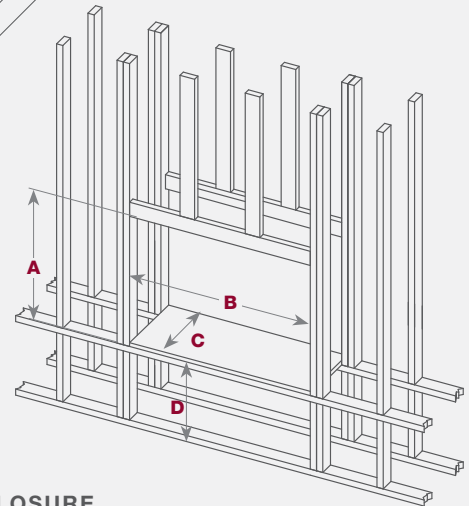
DIVINE OUTDOOR FRAMING

	A	B	C	D	E	F	G	H
H34VO	38¾	35¾	20¼†	*	61¾	35¾	0	43¾
H38VO	42½	39¼	21¾†	*	65¾	39¼	0	49¾
H42VO	46½	43½	22¾†	*	72¼	43½	0	51¾



DIVINE OUTDOOR ST FRAMING

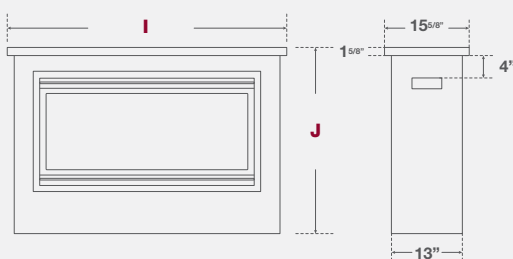
	A	B	C	D
H38SVO	38	41	23¾	*



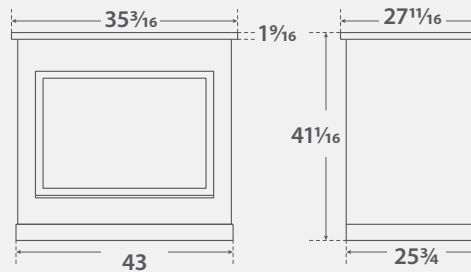
MAHANA FRAMING AND ENCLOSURE

	A	B	C	D	E	F	G	H	I	J
PL42VO	27¼	42	11¾	*	62⅞	42	0	48¾	51¾	34¾
PL60VO	27¼	66	11¾	*	87	66	0	65½	76¾	34¾

MAHANA ENCLOSURE



DIVINE OUTDOOR ST ENCLOSURE



See instruction manual for detailed instructions

Be sure to plan a drain system for both in the wall and standalone installations.

*Check local codes and manual for minimum distance from grade to unit.

†Dimension is to back wall or back studs