



DIVINE / PROUDLY HANDCRAFTED IN NORTH AMERICA

# DIVINE

MULTI SIDED

## A NEW DIMENSION

### H38FSD H42FSD

SEE THROUGH  
DIRECT VENT

#### QUICK DIMENSIONS

|         | H38FSD*   |                                | H42FSD*   |                                |
|---------|---|--------------------------------|---|--------------------------------|
|         | UNIT  | FRAM.                          | UNIT  | FRAM.                          |
| F.WIDTH | 39 <sup>5</sup> / <sub>16</sub>                                 | 40 <sup>3</sup> / <sub>4</sub> | 43 <sup>5</sup> / <sub>16</sub>                                 | 45                             |
| B.WIDTH | 39 <sup>5</sup> / <sub>16</sub>                                 | 40 <sup>3</sup> / <sub>4</sub> | 43 <sup>5</sup> / <sub>16</sub>                                 | 45                             |
| HEIGHT  | 40 <sup>9</sup> / <sub>16</sub>                                 | 42 <sup>1</sup> / <sub>2</sub> | 44 <sup>3</sup> / <sub>8</sub>                                  | 49 <sup>1</sup> / <sub>2</sub> |
| DEPTH   | 24 <sup>1</sup> / <sub>2</sub>                                  | 23 <sup>3</sup> / <sub>4</sub> | 24 <sup>1</sup> / <sub>2</sub>                                  | 24                             |
| VIEWING | 35 <sup>1</sup> / <sub>4</sub> x 26 <sup>3</sup> / <sub>8</sub> |                                | 39 <sup>3</sup> / <sub>8</sub> x 30 <sup>3</sup> / <sub>8</sub> |                                |

#### DIVINE FSD TRADITIONAL

##### Standard

Traditional burner and logset

Heritage brick liner

Wrought iron grate

Manual Hi-Lo flame control

##### Options

Multi-function remote control

Wall remote

Battery backup

Fans

Surrounds in satin black or stainless steel

WiFi phone app control

#### DIVINE FSD CONTEMPORARY KIT

##### Standard

Contemporary burner

Manual Hi-Lo flame control

##### Options

Glass media

Multi-function remote control

Wall remote

Battery backup

Fans

Surrounds in satin black or stainless steel

WiFi phone app control

#### BTU LISTING

H38FSDN / 34,000  
H38FSDNI / 34,000  
H38FSDL / 32,000  
H38FSDLI / 32,000

H42FSDN / 37,000  
H42FSDNI / 37,000  
H42FSDL / 37,000  
H42FSDLI / 37,000

#### EFFICIENCY (FE)

H38FSDN / 57.5%  
H38FSDNI / 58.5%  
H38FSDL / 57.5%  
H38FSDLI / 58.5%

H42FSDN / 66%  
H42FSDNI / 68.3%  
H42FSDL / 66%  
H42FSDLI / 68.3%

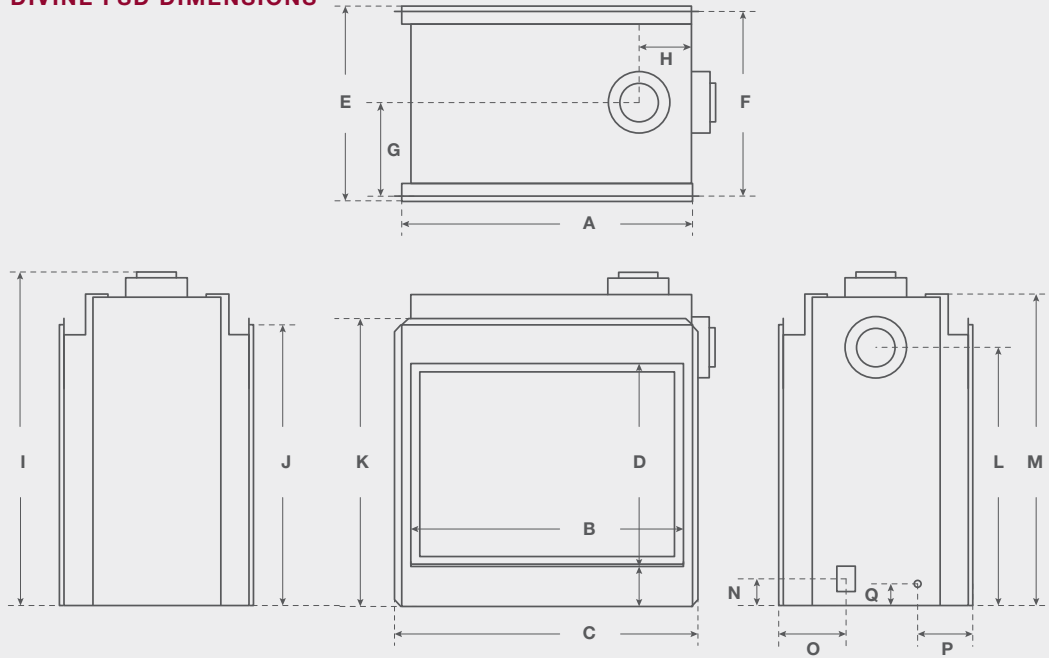


MONTIGO / STAINLESS SURROUND



MONTIGO / SATIN BLACK SURROUND

**DIVINE FSD DIMENSIONS**



|        | A                              | B                              | C                               | D                               | E                              | F  | G  | H                              | I                                | J                              | K                               | L                               | M                               | N                             | O                             | P                             | Q |
|--------|--------------------------------|--------------------------------|---------------------------------|---------------------------------|--------------------------------|----|----|--------------------------------|----------------------------------|--------------------------------|---------------------------------|---------------------------------|---------------------------------|-------------------------------|-------------------------------|-------------------------------|---|
| H38FSD | 37 <sup>3</sup> / <sub>4</sub> | 35 <sup>1</sup> / <sub>4</sub> | 39 <sup>5</sup> / <sub>16</sub> | 26 <sup>3</sup> / <sub>16</sub> | 24 <sup>1</sup> / <sub>2</sub> | 24 | 12 | 6 <sup>7</sup> / <sub>16</sub> | 43 <sup>3</sup> / <sub>16</sub>  | 36 <sup>1</sup> / <sub>2</sub> | 37 <sup>5</sup> / <sub>16</sub> | 33 <sup>3</sup> / <sub>16</sub> | 40 <sup>9</sup> / <sub>16</sub> | 3 <sup>3</sup> / <sub>8</sub> | 8 <sup>3</sup> / <sub>8</sub> | 7 <sup>3</sup> / <sub>8</sub> | 3 |
| H42FSD | 42                             | 39 <sup>3</sup> / <sub>8</sub> | 43 <sup>3</sup> / <sub>16</sub> | 30 <sup>3</sup> / <sub>8</sub>  | 24 <sup>1</sup> / <sub>2</sub> | 24 | 12 | 6 <sup>7</sup> / <sub>16</sub> | 46 <sup>15</sup> / <sub>16</sub> | 40 <sup>1</sup> / <sub>2</sub> | 41 <sup>1</sup> / <sub>16</sub> | 37 <sup>3</sup> / <sub>8</sub>  | 44 <sup>3</sup> / <sub>8</sub>  | 3 <sup>3</sup> / <sub>8</sub> | 8 <sup>3</sup> / <sub>8</sub> | 7 <sup>3</sup> / <sub>8</sub> | 3 |



MONTIGO / DIVINE / H38FSDNI / TRADITIONAL LOGSET



MONTIGO / DIVINE / H42FSDNI / TRADITIONAL LOGSET



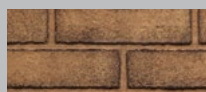
REMOTE<sup>†</sup>  
RX200\*\*



WALL REMOTE<sup>†</sup>  
EC1550



WiFi PHONE APP  
CONTROL  
SIT-WIFI<sup>†</sup>



HERITAGE<sup>^</sup>

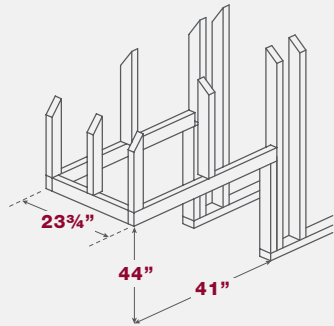
<sup>^</sup> Standard on H38FSD<sup>†</sup>, H42FSD<sup>†</sup>  
<sup>†</sup>Proflame 2 units only

# Unit Specifications

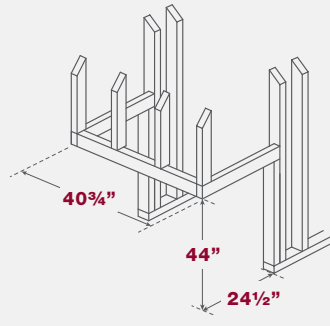
## ICON LEGEND

|           |   |               |   |
|-----------|---|---------------|---|
| AVAILABLE | + | NOT AVAILABLE | - |
| DEDICATED | ◊ | STANDARD      | ◦ |

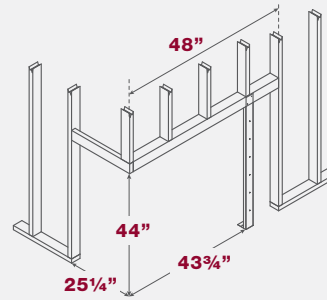
### PIER FRAMING



### BAY FRAMING



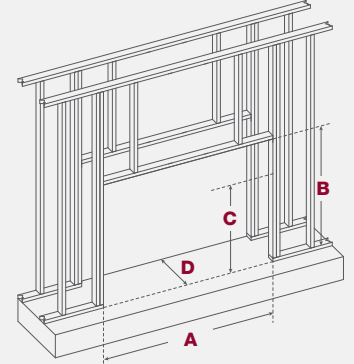
### CORNER FRAMING



NON COMBUSTIBLE STUD INCLUDED WITH UNIT

Approximate dimensions to center. For best results mount noncombustible stud onto unit, then bolt to 2x4 header and floor.

### SEE THROUGH FRAMING



|        | A       | B       | C       | D       |
|--------|---------|---------|---------|---------|
| H38FSD | 40 3/4" | 42 1/2" | N/A     | 23 3/4" |
| H42FSD | 45"     | 49 1/2" | 46 1/2" | 24"     |

NON COMBUSTIBLE STUD INCLUDED WITH UNIT - NOT NEEDED FOR H38FSD

|            | BTU NATURAL GAS | BTU LIQUID PROPANE | VENTING | CLEARANCE TOP - REAR VENT | CLEARANCE TOP - TOP VENT | CLEARANCE SIDES | CLEARANCE BACK | CLEARANCE FLOOR | FRONT VIEWING AREA | FRONT GLASS TYPE | STANDARD MEDIA | MICRO MESH | POWERVENT | REMOTE CONTROL | FANS | UPLIGHTING | DOWNLIGHTING |
|------------|-----------------|--------------------|---------|---------------------------|--------------------------|-----------------|----------------|-----------------|--------------------|------------------|----------------|------------|-----------|----------------|------|------------|--------------|
| H38FSD*    | 34,000          | 32,000             | 5"/8"   | 9                         | 17 1/2                   | 1               | 2              | 0               | 35 3/4 X 26 3/8    | HIGH TEMPERATURE | TRADITIONAL    | ◦          | +         | +              | +    | -          | -            |
| H38FSD*I   | 34,000          | 32,000             | 5"/8"   | 9                         | 17 1/2                   | 1               | 2              | 0               | 35 3/4 X 26 3/8    | HIGH TEMPERATURE | TRADITIONAL    | ◦          | +         | +              | +    | -          | -            |
| H42FSD*    | 37,000          | 37,000             | 5"/8"   | 9                         | 17 1/2                   | 1               | 2              | 0               | 39 3/8 X 30 3/8    | HIGH TEMPERATURE | TRADITIONAL    | ◦          | +         | +              | +    | -          | -            |
| H42FSD*I   | 37,000          | 37,000             | 5"/8"   | 9                         | 17 1/2                   | 1               | 1              | 0               | 39 3/8 X 30 3/8    | HIGH TEMPERATURE | TRADITIONAL    | ◦          | +         | +              | +    | -          | -            |
| H38PF*I-2  | 34,000          | 32,000             | 5"/8"   | 9                         | 17 1/2                   | 1               | 1              | 0               | 32 1/2 X 21 3/8    | HIGH TEMPERATURE | TRADITIONAL    | ◦          | +         | ◦              | -    | -          | -            |
| HL38PF*I-2 | 34,000          | 32,000             | 5"/8"   | 9                         | 17 1/2                   | 1               | 1              | 0               | 32 1/2 X 21 3/8    | HIGH TEMPERATURE | HW1157         | ◦          | +         | ◦              | -    | -          | -            |
| H38PR*I-2  | 34,000          | 32,000             | 5"/8"   | 9                         | 17 1/2                   | 1               | 1              | 0               | 32 1/2 X 24 3/4    | HIGH TEMPERATURE | TRADITIONAL    | ◦          | +         | ◦              | -    | -          | -            |
| HL38PR*I-2 | 34,000          | 32,000             | 5"/8"   | 9                         | 17 1/2                   | 1               | 1              | 0               | 32 1/2 X 24 3/4    | HIGH TEMPERATURE | HW1157         | ◦          | +         | ◦              | -    | -          | -            |
| H38CL*I-2  | 34,000          | 32,000             | 5"/8"   | 9                         | 17 1/2                   | 1               | 1              | 0               | 32 1/2 X 24 3/4    | HIGH TEMPERATURE | TRADITIONAL    | ◦          | +         | ◦              | -    | -          | -            |
| HL38CL*I-2 | 34,000          | 32,000             | 5"/8"   | 9                         | 17 1/2                   | 1               | 1              | 0               | 32 1/2 X 24 3/4    | HIGH TEMPERATURE | HW1157         | ◦          | +         | ◦              | -    | -          | -            |
| H38CR*I-2  | 34,000          | 32,000             | 5"/8"   | 9                         | 17 1/2                   | 1               | 1              | 0               | 32 1/2 X 24 3/4    | HIGH TEMPERATURE | TRADITIONAL    | ◦          | +         | ◦              | -    | -          | -            |
| HL38CR*I-2 | 34,000          | 32,000             | 5"/8"   | 9                         | 17 1/2                   | 1               | 1              | 0               | 32 1/2 X 24 3/4    | HIGH TEMPERATURE | HW1157         | ◦          | +         | ◦              | -    | -          | -            |