



DIVINE / PROUDLY HANDCRAFTED IN NORTH AMERICA

# DIVINE

MULTI SIDED

## CORNERING THE MARKET

### H38CL/CR

CORNER  
DIRECT VENT

#### DIVINE CL/CR CONTEMPORARY

##### Standard

- Contemporary burner with ice fireglass
- Remote Hi-Lo flame control
- Multi-function remote control
- Micro mesh screen
- Battery backup

##### Options

- Glass media
- Wall remote
- WiFi phone app control

#### DIVINE CL/CR TRADITIONAL

##### Standard

- Traditional burner and logset
- Heritage brick liner
- Wrought iron grate
- Remote Hi-Lo flame control
- Multi-function remote control
- Micro mesh screen
- Battery backup

##### Options

- Wall remote
- WiFi phone app control

#### QUICK DIMENSIONS

H38CL/CR		
	UNIT	FRAM.
F.WIDTH	43 <sup>9</sup> / <sub>16</sub>	42
B.WIDTH	28 <sup>1</sup> / <sub>8</sub>	42
HEIGHT	41 <sup>5</sup> / <sub>16</sub>	46 <sup>1</sup> / <sub>2</sub>
DEPTH	20 <sup>3</sup> / <sub>8</sub>	21 <sup>5</sup> / <sub>8</sub>
VIEWING	39 <sup>1</sup> / <sub>2</sub> x 28 <sup>3</sup> / <sub>4</sub>	

#### BTU LISTING

**H38C\*NI-2** / 34,000 BTU  
**H38C\*LI-2** / 32,000 BTU

**HL38C\*NI-2** / 34,000 BTU  
**HL38C\*LI-2** / 32,000 BTU

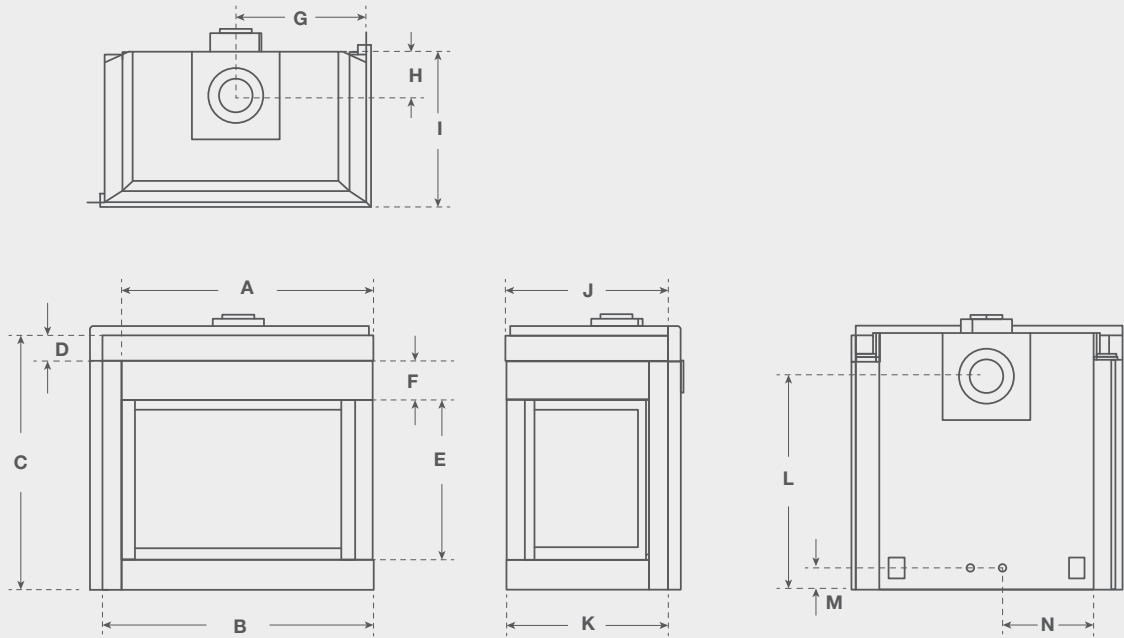
#### EFFICIENCY (FE)

**H38C\*NI-2** / 58.5%  
**H38C\*LI-2** / 58.5%

**HL38C\*NI-2** / 58.5%  
**HL38C\*LI-2** / 58.5%



**DIVINE CL/CR DIMENSIONS**



	A	B	C	D	E	F	G	H	I	J	K	L	M	N
H38C*	39 <sup>3</sup> / <sub>16</sub>	42 <sup>3</sup> / <sub>16</sub>	39 <sup>5</sup> / <sub>8</sub>	4	24 <sup>13</sup> / <sub>16</sub>	6	20 <sup>3</sup> / <sub>8</sub>	7	24 <sup>1</sup> / <sub>4</sub>	25 <sup>5</sup> / <sub>8</sub>	22 <sup>1</sup> / <sub>4</sub>	33 <sup>1</sup> / <sub>4</sub>	3 <sup>7</sup> / <sub>16</sub>	14 <sup>3</sup> / <sub>16</sub>

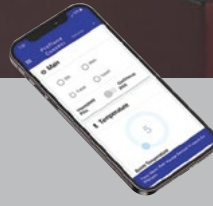
MONTIGO / DIVINE / HL38CRNI-2 / EBONY FIREBEADS



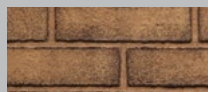
REMOTE<sup>A</sup>  
RX200\*\*



WALL REMOTE  
EC1550



WIFI PHONE APP  
CONTROL  
SIT-WIFI<sup>†</sup>



HERITAGE<sup>†</sup>

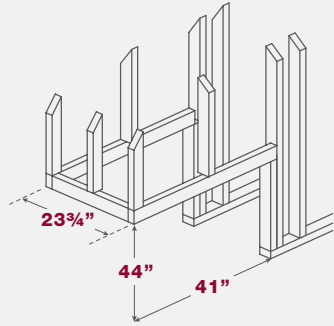
<sup>A</sup> Standard on all corner units  
<sup>†</sup> Standard on H38C\*\*1-2

# Unit Specifications

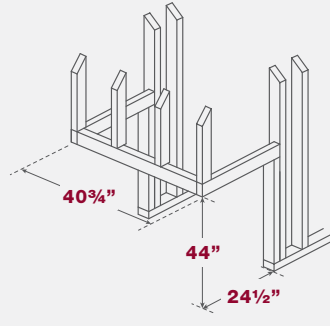
## ICON LEGEND

AVAILABLE	+	NOT AVAILABLE	-
DEDICATED	◊	STANDARD	◦

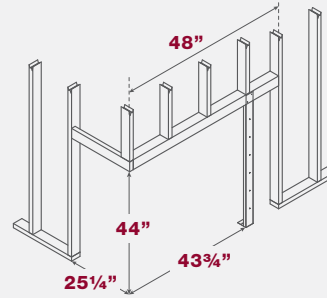
### PIER FRAMING



### BAY FRAMING



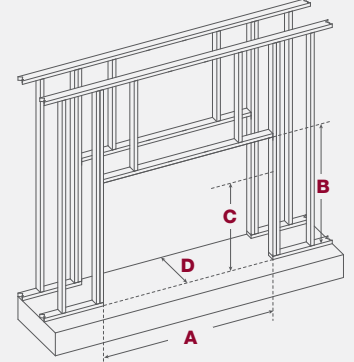
### CORNER FRAMING



NON COMBUSTIBLE STUD INCLUDED WITH UNIT

Approximate dimensions to center. For best results mount noncombustible stud onto unit, then bolt to 2x4 header and floor.

### SEE THROUGH FRAMING



	A	B	C	D
H38FSD	40 3/4"	42 1/2"	N/A	23 3/4"
H42FSD	45"	49 1/2"	46 1/2"	24"

NON COMBUSTIBLE STUD INCLUDED WITH UNIT - NOT NEEDED FOR H38FSD

	BTU NATURAL GAS	BTU LIQUID PROPANE	VENTING	CLEARANCE TOP - REAR VENT	CLEARANCE TOP - TOP VENT	CLEARANCE SIDES	CLEARANCE BACK	CLEARANCE FLOOR	FRONT VIEWING AREA	FRONT GLASS TYPE	STANDARD MEDIA	MICRO MESH	POWERVENT	REMOTE CONTROL	FANS	UPLIGHTING	DOWNLIGHTING
H38FSD*	34,000	32,000	5"/8"	9	17 1/2	1	2	0	35 3/4 X 26 3/8	HIGH TEMPERATURE	TRADITIONAL	◦	+	+	+	-	-
H38FSD*I	34,000	32,000	5"/8"	9	17 1/2	1	2	0	35 3/4 X 26 3/8	HIGH TEMPERATURE	TRADITIONAL	◦	+	+	+	-	-
H42FSD*	37,000	37,000	5"/8"	9	17 1/2	1	2	0	39 3/8 X 30 3/8	HIGH TEMPERATURE	TRADITIONAL	◦	+	+	+	-	-
H42FSD*I	37,000	37,000	5"/8"	9	17 1/2	1	1	0	39 3/8 X 30 3/8	HIGH TEMPERATURE	TRADITIONAL	◦	+	+	+	-	-
H38PF*I-2	34,000	32,000	5"/8"	9	17 1/2	1	1	0	32 1/2 X 21 3/8	HIGH TEMPERATURE	TRADITIONAL	◦	+	◦	-	-	-
HL38PF*I-2	34,000	32,000	5"/8"	9	17 1/2	1	1	0	32 1/2 X 21 3/8	HIGH TEMPERATURE	HW1157	◦	+	◦	-	-	-
H38PR*I-2	34,000	32,000	5"/8"	9	17 1/2	1	1	0	32 1/2 X 24 3/4	HIGH TEMPERATURE	TRADITIONAL	◦	+	◦	-	-	-
HL38PR*I-2	34,000	32,000	5"/8"	9	17 1/2	1	1	0	32 1/2 X 24 3/4	HIGH TEMPERATURE	HW1157	◦	+	◦	-	-	-
H38CL*I-2	34,000	32,000	5"/8"	9	17 1/2	1	1	0	32 1/2 X 24 3/4	HIGH TEMPERATURE	TRADITIONAL	◦	+	◦	-	-	-
HL38CL*I-2	34,000	32,000	5"/8"	9	17 1/2	1	1	0	32 1/2 X 24 3/4	HIGH TEMPERATURE	HW1157	◦	+	◦	-	-	-
H38CR*I-2	34,000	32,000	5"/8"	9	17 1/2	1	1	0	32 1/2 X 24 3/4	HIGH TEMPERATURE	TRADITIONAL	◦	+	◦	-	-	-
HL38CR*I-2	34,000	32,000	5"/8"	9	17 1/2	1	1	0	32 1/2 X 24 3/4	HIGH TEMPERATURE	HW1157	◦	+	◦	-	-	-