

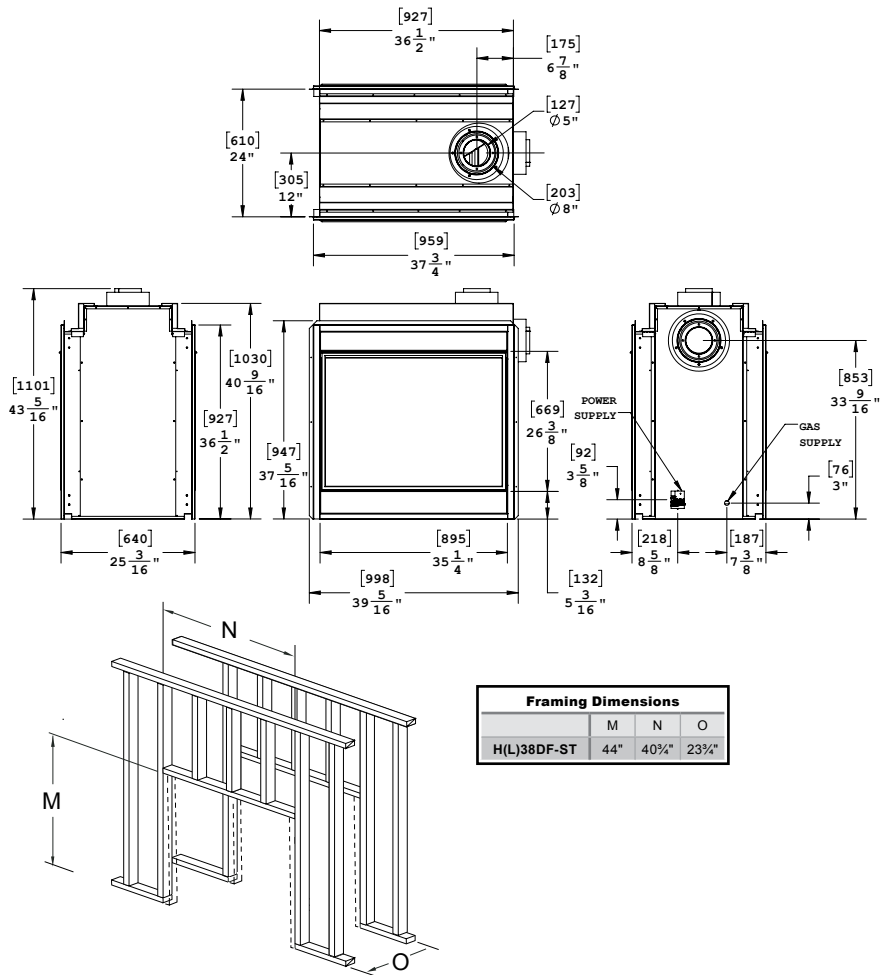
SPEC SHEET
H Series ST
 H38ST

MONTIGO®

SEE THROUGH GAS FIREPLACE

DIMENSIONS

PART	ACTUAL	FRAMING
FRONT WIDTH	37 $\frac{3}{4}$ "	40 $\frac{3}{4}$ "
BACK WIDTH	37 $\frac{3}{4}$ "	40 $\frac{3}{4}$ "
HEIGHT	43 5/16"	44"
DEPTH	23 $\frac{3}{4}$ "	23 $\frac{3}{4}$ "
VIEWING AREA	35 $\frac{1}{4}$ " X 26 $\frac{3}{8}$ "	N/A



FEATURES

- Snap-lock door for access to firebox
- Power vent capable
- Clean face design
- Snap-lock door for access to the firebox
- Hi/lo control to adjust flame level
- Convertible to top or side flue vent

Framing Dimensions			
	M	N	O
H(L)38DF-ST	44"	40 $\frac{3}{4}$ "	23 $\frac{3}{4}$ "

TECHNICAL SPECIFICATIONS

H38ST Comes standard with:

- Tempered glass
- Door screen
- Hi/lo control to adjust flame level
- Traditional burner + fiber logset
- Wrought iron grate

H38ST Options:

- Remote control
- Fireplace surround in satin black or stainless steel
- Linear burner conversion kit
- Fan kit