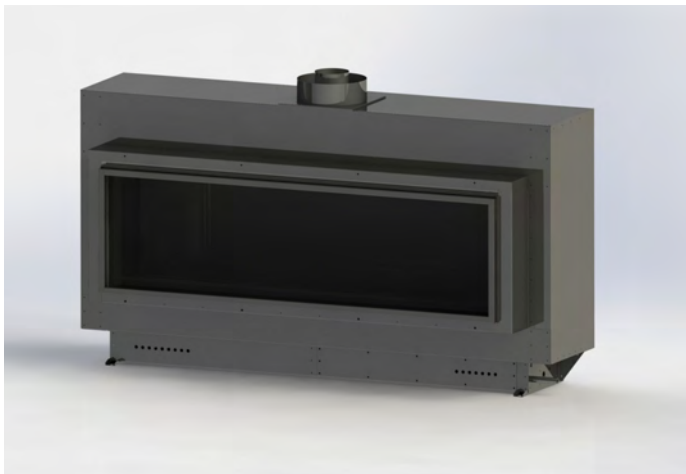


# Installation & Maintenance Manual



**MONTIGO**<sup>®</sup>  
the art of **fireplaces**

## R Series INDOOR GAS FIREPLACE

**R320** 50,000 BTU/hr Natural Gas or Propane Gas

**R420** 65,000 BTU/hr Natural Gas or Propane Gas

**R520** 80,000 BTU/hr Natural Gas or Propane Gas

**R720** 100,000 BTU/hr Natural Gas or Propane Gas

**R820** 100,000 BTU/hr Natural Gas or Propane Gas



- The installation of this fireplace must be done by a qualified and certified gas appliance installer.
- Check local codes and read all instructions prior to installation.

**⚠ WARNING:**  
**FIRE OR EXPLOSION HAZARD**  
Failure to follow safety warnings exactly could result in serious injury, death, or property damage.

- Do not store or use gasoline or other flammable vapors and liquids in the vicinity of this or any other appliance.
- **WHAT TO DO IF YOU SMELL GAS**
  - Do not try to light any appliance.
  - Do not touch any electrical switch; do not use any phone in your building.
  - Leave the building immediately.
  - Immediately call your gas supplier from a neighbour's phone. Follow the gas supplier's instructions.
  - If you cannot reach your gas supplier, call the fire department.
- Installation and service must be performed by a qualified installer, service agency or the gas fitter.

## **⚠ DANGER**



**HOT GLASS WILL CAUSE BURNS.**  
**DO NOT TOUCH GLASS UNTIL COOLED.**  
**NEVER ALLOW CHILDREN TO TOUCH GLASS.**

A barrier designed to reduce the risk of burns from the hot viewing glass is provided with this appliance and shall be installed for the protection of children and other at-risk individuals.

## NOTICE

**Installer:** Leave this manual with the appliance.  
**Consumer:** Retain this manual for future reference.

## **⚠ CAUTION**

Installation and service must be performed by a qualified installer, service agency or the gas fitter.

## **⚠ DANGER**

Read and understand this manual. Improper installation, adjustment, alteration, service or maintenance can cause serious injury, property damage or even death. For assistance or additional information consult a qualified installer, service agency or the gas supplier.

## **⚠ WARNING**

Some materials used in the manufacturing process of this product can expose you to Benzene which is known in the State of California to cause cancer and birth defects or other reproductive harm. For more information go to [www.P65warnings.ca.gov](http://www.P65warnings.ca.gov)

## Safety Alert Key

### DANGER

Indicates a hazardous situation which, if not avoided, WILL result in death or serious injury or property damage.

### WARNING

Indicates a hazardous situation which, if not avoided, COULD result in death or serious injury or property damage.

### CAUTION

Indicates a hazardous situation which, if not avoided, WILL result in minor or moderate injury.

### NOTICE

Indicates practices that are important, but not related to personal injury.

## Introduction

### Congratulations on your purchase of a Montigo Fireplace.

With over 30 years of experience, Montigo is committed to providing you with a gas fireplace that is not only a beautiful addition to your space, but that is also designed and manufactured to the highest safety, reliability and engineering standards.

We strongly encourage you to read and carefully follow the instructions laid out in this Installation, Operation and Maintenance Manual and retain it for your future reference. Pay special attention to all cautions, warnings, and notices throughout this manual intended to ensure your safety.

This manual covers installation, operation and maintenance. Lighting, operation and care of this fireplace can be easily performed by the homeowner. All installation and service work should be performed by a qualified or licensed installer, plumber or gas fitter as certified by the state, province, region or governing body where the fireplace is being installed.

This installation, operation and maintenance manual is applicable to the models described in Table 1. Refer to your rating plate to verify included options.

### Warranty and Installation Information: (See Appendix B)

The Montigo warranty will be voided by, and Montigo disclaims any responsibility for, the following actions:

- Modification of the fireplace and/or components including Direct-Vent assembly or glass doors.
- Use of any component part not manufactured or approved by Montigo in combination with this Montigo fireplace system.
- Installation other than as instructed in this manual.
- Consult your local Gas Inspection Branch on installation requirements for factory-built gas fireplaces. Installation & repairs should be done by a qualified contractor.

MODEL	Natural Gas	Liquid Propane	Gas Rating	Linear Burner w/ Glass Accessories	SIT Electronic Ignition
R320N-I	X		50,000	X	X
R320L-I		X	40,000	X	X
R420N-I	X		65,000	X	X
R420L-I		X	55,000	X	X
R520N-I	X		80,000	X	X
R520L-I		X	65,000	X	X
R720N-I	X		100,000	X	X
R720L-I		X	80,000	X	X
R820N-I	X		100,000	X	X
R820L-I		X	80,000	X	X

Figure 1 R-Series Single Sided Specifications

### NOTICE

Vented decorative gas appliance:  
not a source of heat; not for use with solid fuel

# Contents

<b>Safety Alert Key</b> .....	<b>2</b>	<b>Section 8: Removing &amp; Installing Screen and Window</b> .....	<b>24</b>
<b>Introduction</b> .....	<b>2</b>	Removing the Screen.....	24
Section A: Before You Begin .....	4	Removing the Window .....	24
Installation Checklist .....	4	Reinstalling the door.....	24
Standard Installation Checklist.....	5	<b>Section 9: Installing the Accessories</b> .....	<b>25</b>
Rating Plate Sample .....	6	Installing the Firestones or optional Fireglass .....	25
<b>Section 1: Product Dimensions</b> .....	<b>7</b>	Installing Optional Speckled Stones .....	25
R320, R420, R520, R720, R820 Dimensions.....	7	Installing Optional River Rocks .....	25
<b>Section 2: Framing</b> .....	<b>8</b>	Optional Log Set - R520.....	26
Clearance Requirements:.....	8	Log Kit Installation .....	26
Framing clearances:.....	8	Optional Log Set - R820.....	28
Venting clearances:.....	9	Log Kit Installation .....	28
Raised Installation: .....	9	<b>Section 10: Cleaning and Maintenance</b> .....	<b>32</b>
Installing the Fireplace .....	10	General .....	32
Back framing the Fireplace.....	10	Cleaning .....	32
Recessed into floor Installation.....	11	Procedure for Checking Calibration of Flue Gas Switch.....	32
<b>Section 3: Venting</b> .....	<b>12</b>	<b>Replacement Parts</b> .....	<b>33</b>
Section 3-1: Converting to Rear Vent .....	12	<b>Appendix A: Power Vent Locations</b> .....	<b>34</b>
Section 3-1-1: Converting the Flue.....	12	PVVEX510-300 Vertical Power Vent Detail .....	34
Section 3-1-2: Converting the Pressure Sensing Tube and Air Baffle .....	13	Unacceptable Install .....	34
<b>Section 3-2: Installing a Roof Mounted Vent System</b> .....	<b>14</b>	PVHIN58-300 Inline Power Vent with TMHIN58-40 Detail .....	34
<b>Section 3-3: Installing a Wall Mounted Vent System</b> .....	<b>15</b>	PVVEX510-300 Power Vent Locations.....	35
Section 3-3-2: Venting Components.....	16	PVHEX510-300 Horizontal Power Vent Detail.....	37
<b>Section 3-3-3: Heat Shields</b> .....	<b>17</b>	PVHFL510-300 Horizontal Power Vent Detail .....	37
<b>Section 4: Wiring</b> .....	<b>18</b>	<b>Appendix B: Warranty</b> .....	<b>40</b>
Installing the Fireplace Control Box.....	18	<b>Appendix B: Warranty Continued</b> .....	<b>41</b>
Installing the Wall Switch .....	18	<b>Appendix C: Amendment</b> .....	<b>42</b>
Electrical control panel.....	19	(Gas Fireplace / Equipment sold in the State of Massachusetts) 5.08: Modifica- tions to NFPA-54, Chapter 10.....	42
<b>Section 5: Installing the gas line</b> .....	<b>20</b>		
Fuel Type.....	20		
Gas Pressure .....	20		
Section 5-3: GAS CONNECTION.....	20		
<b>Section 6: Testing the system</b> .....	<b>21</b>		
6-1: Testing the system before gas connection.....	21		
6-2: Testing the system with gas connection (Highly recommended).....	21		
<b>Section 7: Finishing the fireplace</b> .....	<b>22</b>		
Finishing Around the Fireplace .....	23		
Mantels & Surrounds .....	23		

## Section A: Before You Begin

### IMPORTANT MESSAGE: SAVE THESE INSTRUCTIONS

The R Series fireplaces must be installed in accordance with these instructions. Carefully read all the instructions in this manual first. Consult the Local Gas Branch to determine the need for a permit prior to starting the installation. It is the responsibility of the installer to ensure this fireplace is installed in compliance with the manufacturers instructions and all applicable codes.

### NOTICE

Do not use this appliance if any part has been under water. Immediately call a qualified service technician to inspect the appliance and to replace any part of the control system and any gas control that has been under water

### NOTICE

Due to high temperatures, the appliance should be located out of traffic and away from furniture and draperies

### NOTICE

Children and adults should be alerted to the hazards of high surface temperature and should stay away to avoid burns or clothing ignition

### NOTICE

A barrier designed to reduce the risk of burns from the hot viewing glass is provided with this appliance and shall be installed for the protection of children and other at-risk individuals

### NOTICE

Installation and repair should be done by a qualified service person. The appliance should be inspected before use and at least annually by a professional service person. More frequent cleaning might be required due to excessive lint from carpeting, bedding material, etc. It is imperative that control compartments, burners, and circulating air passageways of the appliance be kept clean

## Installation Checklist

- Determine the desired install location of your fireplace.
- See Section 1, Dimensions and refer to the Framing Section 2 for details.
- Select your type and location of your Power Vent run: Roof Mounted PVVEX510-300, External Wall Mounted PVHEX510-300, Flush Louver Wall Mounted PVHFL510-300.
- Your termination location should be selected to provide the most efficient vent run.
- Lay out the Vent run; calculating the required elbows and straight runs of 5"/10" flex and/or rigid pipe. (5"/8" for R320 and R420)
- Refer to the Section 3, "Venting" for details.
- Montigo supplies 20' of low voltage wire, which can be spliced to a maximum of 100' with wire of equal quality. This wire CANNOT run in conduit with any other wire.
- Refer to Section 4, for Wiring Details.
- The gas connection is located on the bottom right side (pilot burner side) of the fireplace.
- Refer to local codes and guidelines for installation requirements.
- Refer to Section 5, "Installing the Gas Line" for details.
- Installation and repairs should be done by a qualified contractor and must conform to:
  - Installations in Canada must conform to the local codes or in the absence of local codes to the current version of Natural Gas and Propane Installation Code, CSA B149. Electrical Installations must conform to the local codes or, in the absence of local codes, to the current version of Canadian Electrical Code, CSA C22.1.1
  - Installations in the USA must conform to the local codes or in the absence of local codes to the current version of National Fuel Gas Code, ANSI Z223.1/NFPA 54. Electrical Installations must conform to the local codes or, in the absence of local codes, to the current version of the National Electrical Code, ANSI/NFPA 70. See Appendix C for installation within the State of Massachusetts.

### NOTICE

Clothing or other flammable material should not be placed on or near the appliance




## Standard Installation Checklist

This standard installation checklist is to be used by the installer in conjunction with, not instead of, the instructions contained within this installation manual.

Customer _____	Date Installed: _____
Install Address: _____	Location of Fireplace: _____
_____	Installer: _____
Model (circle one): R320N-I, R320L-I, R420N-I, R420L-I, R520N-I, R520L-I, R720N-I, R720L-I, R820N-I, R820L-I	Dealer Phone: _____
	Serial #: _____

	YES	NO	IF NO, WHY NOT?
<b>Appliance Install: Section 2</b>			
Framing complies with install manual.			
Standoffs have been installed.			
Proper clearances have been maintained.			
<b>Venting: Section 3</b>			
Venting configuration complies with vent diagrams.			
Venting installed, fastened, and secured in place maintaining proper clearance.			
Firestops installed.			
Exterior wall/roof flashing installed and sealed in compliance with local building code.			
Terminations installed and sealed in compliance with local building code.			
Direct vent termination is highest point in vent assembly.			
<b>Wiring/Electrical: Section 4</b>			
Unswitched power provided to the appliance PPO box.			
Low voltage wire connected to dry contact wall switch (non-powered)*			
<b>Gas: Section 5</b>			
Proper appliance for fuel type.			
Was a conversion performed?			
Leak check performed & inlet pressure verified.			
<b>Finishing: Section 6</b>			
Only non-combustible materials installed in non-combustible areas.			
Clearances meet installation manual requirements			
Mantels and/or projections comply with install manual			
<b>Appliance Setup: Section 7 through 9</b>			
Media, door, and screen installed according to install manual			
Manual given to home owner.			
Started appliance and verified no gas leaks exist.			
<b>Comments:</b>			

Rating Plate Sample

C US

**Do Not Remove This Label**  
**N'enlevez Pas Cette Étiquette**

**Type:** **Vented Decorative Gas Appliance For Indoor Use**

**Model No. Modèle:** R820-I

**Serial No.:** 2-171019-000000

**Manufacturer / Fabricant:** Canadian Heating Products Inc., Langley BC, www.montigo.com  
Montigo DelRay Corp., Ferndale, WA, www.montigo.com

**Tested To / Examiné À:** **ANSI Z21.50-2016 / CSA 2.22-2016**

**Electrical Rating / Estimation Électrique:** Power Vent 120V / 1Ph / 60Hz / Less than 12A

**Altitude Rating / Estimation D'Altitude:** N & H (0 - 4500 ft. / 0 - 1371 m).




**Fuel Type / Type De Carburant:**

**Natural Gas / Gaz Naturel**

**Propane / Gaz Propane**

Max. Input Max. Entrée BTU/H	Min. Input Min. Entrée BTU/H	Output / Rendement BTU/H	Orifice Size / Taille D'Orifice Front/Avant Rear/Derrière	Gas Manifold Pressure / Pression D'Admission Du Gaz	Min. Gas Supply Pressure/ Min. Pression D'Alimentation Du Gaz
100K	100K	N/A	6@45dms / N/A	3.5" W.C.	5.5" W.C.
80,000	80,000	N/A	6@1.15MM / N/A	10" W.C.	11" W.C.

\*Refer to installation manual for more information.  
LBI1207D-V5.1 R/P/VIEW\_HSI\_WITH\_SCREEN\_AUG.17.2015

C US

**Do Not Remove This Label**  
**N'enlevez Pas Cette Étiquette**

**Type:** **Vented Decorative Gas Appliance For Indoor Use**

**Model No. Modèle:** R720-I

**Serial No.:** 2-171019-000000

**Manufacturer / Fabricant:** Canadian Heating Products Inc., Langley BC, www.montigo.com  
Montigo DelRay Corp., Ferndale, WA, www.montigo.com

**Tested To / Examiné À:** **ANSI Z21.50-2016 / CSA 2.22-2016**

**Electrical Rating / Estimation Électrique:** Power Vent 120V / 1Ph / 60Hz / Less than 12A

**Altitude Rating / Estimation D'Altitude:** N & H (0 - 4500 ft. / 0 - 1371 m).

**Fuel Type / Type De Carburant:**

**Natural Gas / Gaz Naturel**

**Propane / Gaz Propane**

Max. Input Max. Entrée BTU/H	Min. Input Min. Entrée BTU/H	Output / Rendement BTU/H	Orifice Size / Taille D'Orifice Front/Avant Rear/Derrière	Gas Manifold Pressure / Pression D'Admission Du Gaz	Min. Gas Supply Pressure/ Min. Pression D'Alimentation Du Gaz
100K	100K	N/A	6@45dms / N/A	3.5" W.C.	5.5" W.C.
80,000	80,000	N/A	6@1.15MM / N/A	10" W.C.	11" W.C.

\*Refer to installation manual for more information.  
LBI1207D-V5.1 R/P/VIEW\_HSI\_WITH\_SCREEN\_AUG.17.2015

Figure 1.b Rating Plate for R720

Figure 1.c Rating Plate for R820

# Section 1: Product Dimensions

## R320, R420, R520, R720, R820 Dimensions

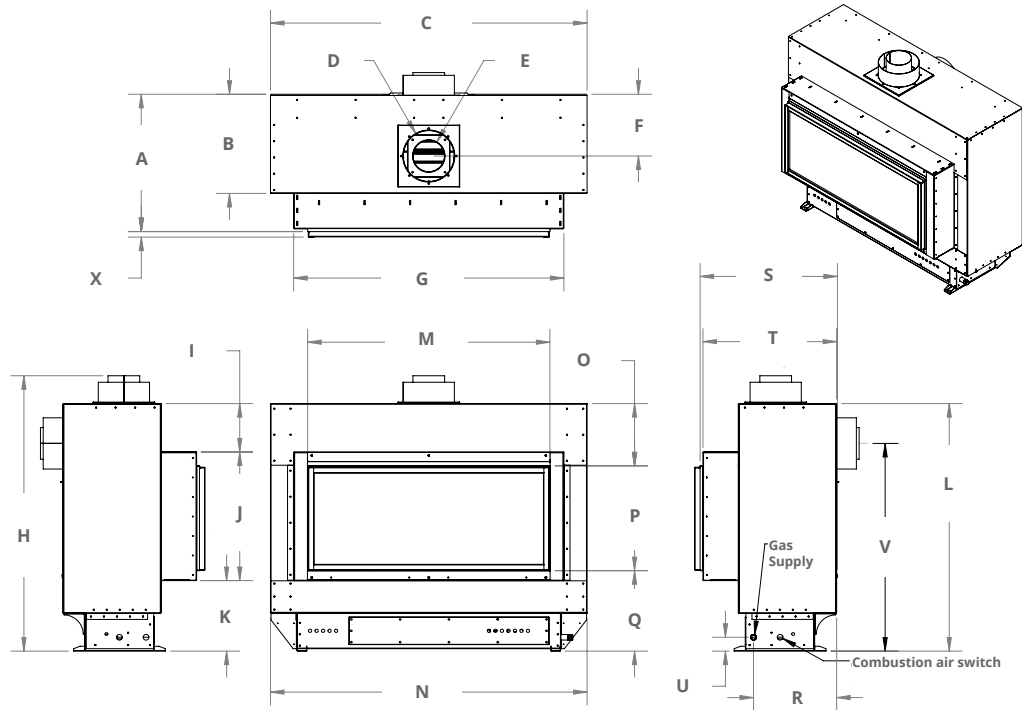


Figure 2. Fireplace dimensions (Tolerance  $\pm 1/8"$ ).

### UNIT DIMENSIONS

	A	B	C	D	E	F	G	H	I	J	K	L	M	N	O	P	Q	R	S	T	U	V
R320	21 $\frac{1}{8}$ "	15 $\frac{1}{4}$ "	48 $\frac{11}{16}$ "	8"	5"	9 $\frac{1}{2}$ "	41 $\frac{9}{16}$ "	42 $\frac{5}{16}$ "	7 $\frac{7}{16}$ "	19 $\frac{3}{4}$ "	10 $\frac{13}{16}$ "	38 $\frac{1}{16}$ "	37 $\frac{1}{4}$ "	48 $\frac{11}{16}$ "	9 $\frac{9}{16}$ "	16 $\frac{3}{8}$ "	12 $\frac{3}{8}$ "	12 $\frac{3}{4}$ "	21 $\frac{1}{8}$ "	20 $\frac{9}{16}$ "	2 $\frac{1}{8}$ "	31 $\frac{15}{16}$ "
R420	21 $\frac{1}{8}$ "	15 $\frac{1}{4}$ "	60 $\frac{11}{16}$ "	8"	5"	9 $\frac{1}{2}$ "	53 $\frac{9}{16}$ "	42 $\frac{1}{4}$ "	7 $\frac{7}{16}$ "	19 $\frac{3}{4}$ "	10 $\frac{13}{16}$ "	38 $\frac{1}{16}$ "	49 $\frac{1}{4}$ "	60 $\frac{11}{16}$ "	9 $\frac{9}{16}$ "	16 $\frac{3}{8}$ "	12 $\frac{3}{8}$ "	12 $\frac{3}{4}$ "	21 $\frac{1}{8}$ "	20 $\frac{11}{16}$ "	2 $\frac{1}{8}$ "	31 $\frac{15}{16}$ "
R520	21 $\frac{1}{8}$ "	15 $\frac{1}{4}$ "	72 $\frac{11}{16}$ "	10"	5"	9 $\frac{1}{2}$ "	65 $\frac{9}{16}$ "	43 $\frac{5}{16}$ "	7 $\frac{7}{16}$ "	21 $\frac{3}{4}$ "	9 $\frac{13}{16}$ "	39 $\frac{1}{16}$ "	61 $\frac{1}{4}$ "	72 $\frac{11}{16}$ "	9 $\frac{9}{16}$ "	18 $\frac{1}{8}$ "	11 $\frac{3}{8}$ "	12 $\frac{3}{4}$ "	21 $\frac{1}{8}$ "	20 $\frac{11}{16}$ "	2 $\frac{1}{8}$ "	32 $\frac{15}{16}$ "
R720	21 $\frac{1}{8}$ "	15 $\frac{1}{4}$ "	96 $\frac{11}{16}$ "	10"	5"	9 $\frac{1}{2}$ "	89 $\frac{9}{16}$ "	44 $\frac{1}{16}$ "	7 $\frac{7}{16}$ "	21 $\frac{3}{4}$ "	10 $\frac{13}{16}$ "	40 $\frac{1}{16}$ "	85 $\frac{1}{4}$ "	96 $\frac{3}{8}$ "	9 $\frac{9}{16}$ "	18 $\frac{1}{8}$ "	12 $\frac{3}{8}$ "	12 $\frac{3}{4}$ "	21 $\frac{1}{8}$ "	20 $\frac{11}{16}$ "	2 $\frac{1}{8}$ "	33 $\frac{15}{16}$ "
R820	21 $\frac{1}{8}$ "	15 $\frac{1}{4}$ "	108 $\frac{11}{16}$ "	10"	5"	9 $\frac{1}{2}$ "	101 $\frac{9}{16}$ "	44 $\frac{3}{16}$ "	7 $\frac{7}{16}$ "	21 $\frac{3}{4}$ "	10 $\frac{13}{16}$ "	40 $\frac{1}{16}$ "	97 $\frac{1}{4}$ "	108 $\frac{11}{16}$ "	9 $\frac{9}{16}$ "	18 $\frac{1}{8}$ "	12 $\frac{3}{8}$ "	5 $\frac{3}{4}$ "	21 $\frac{1}{8}$ "	20 $\frac{11}{16}$ "	2 $\frac{1}{8}$ "	33 $\frac{15}{16}$ "

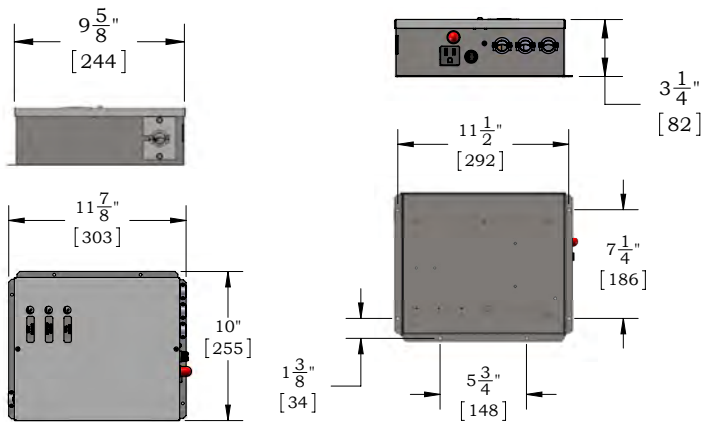


Figure 2.b Control Box Dimensions (Tolerance  $\pm 1/8"$ ).

## Section 2: Framing

### Clearance Requirements:

To ensure the fireplace operates safely, all models must maintain the following clearances:

MODEL	Top - Rear vent †	Top - Top vent †	Rear	Sides	Floor	Mantel
R320	24"	24"	2"	6"	0"	See Section 6 Finishing around the fireplace
R420	24"	24"	2"	6"	0"	See Section 6 Finishing around the fireplace
R520	24"	24"	2"	6"	0"	See Section 6 Finishing around the fireplace
R720	24"	24"	2"	6"	0"	See Section 6 Finishing around the fireplace
R820	24"	24"	2"	6"	0"	See Section 6 Finishing around the fireplace

Figure 3. Combustible Wall Clearances

#### NOTES:

† Clearance from top of fireplace to a combustible ceiling within the fireplace enclosure. Unprotected combustible walls which are perpendicular to the fireplace opening must maintain 6" clearance, see figure 3.

### NOTICE

When constructing the framed opening, please ensure there is access to install the gas line when the unit is installed.

### Framing clearances:

#### STRAIGHT REAR VENTED INSTALLATION - PVHEX510-300

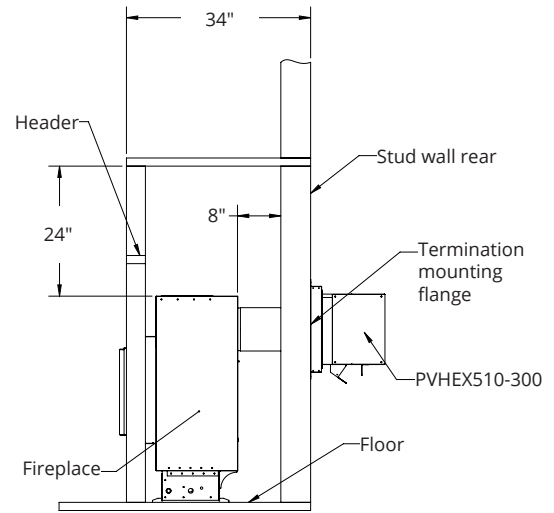


Figure 3.b Clearances for straight rear vented installation with PVHEX58-300.

#### STRAIGHT REAR VENTED INSTALLATION - PVHFL510-300

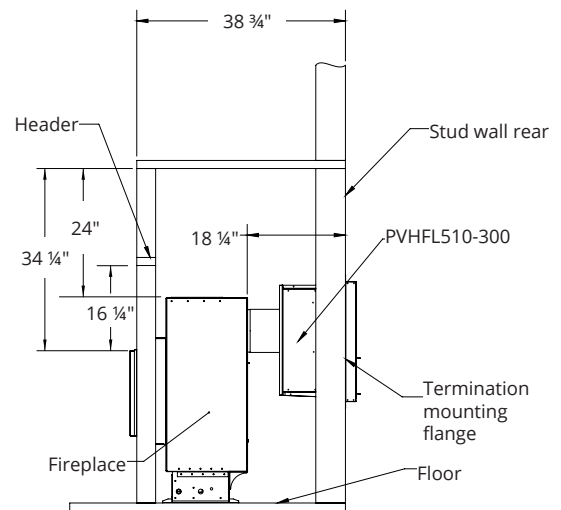


Figure 3.c Clearances for straight rear vented installation with PVHFL510-300.



## Venting clearances:

### REAR VENTED INSTALLATION WITH ELBOW

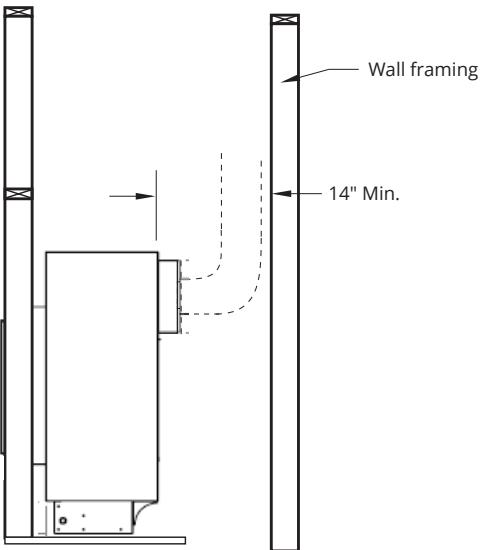


Figure 3.d Clearances for rear vented installation with elbow

### REAR VENTED INSTALLATION STRAIGHT VENT RUN

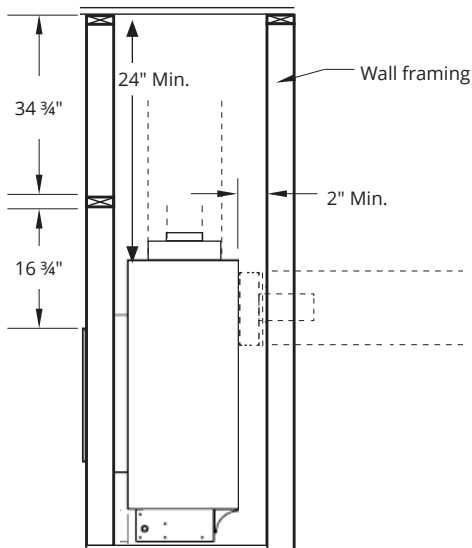


Figure 3.e Clearances for top or rear vented installation, straight vent run or with elbow(s).

## Raised Installation:

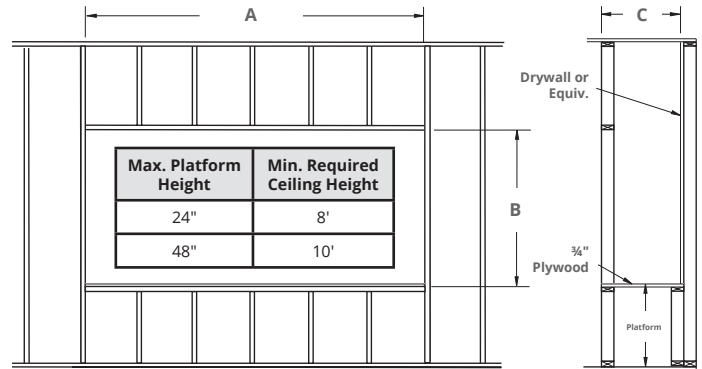


Figure 3.f Fireplace installation, (Rough Frame-In dimensions).

Framing Dimensions			
Model	A	B	C
R320	55"	47"	23 <sup>3</sup> / <sub>4</sub> " †
R420	67"	47"	23 <sup>3</sup> / <sub>4</sub> " †
R520	77"	45"	23 <sup>3</sup> / <sub>4</sub> " †
R720	101"	46"	23 <sup>3</sup> / <sub>4</sub> " †
R820	113"	46"	23 <sup>3</sup> / <sub>4</sub> " †

Determine the height of the platform based on where you want the bottom edge of the glass to be, see figure 2 for unit dimensions. Maintain minimum ceiling height shown in table. Build fireplace frame as shown in figure 3.f

† C is 29" for straight out the back vent run installations.

## Installing the Fireplace

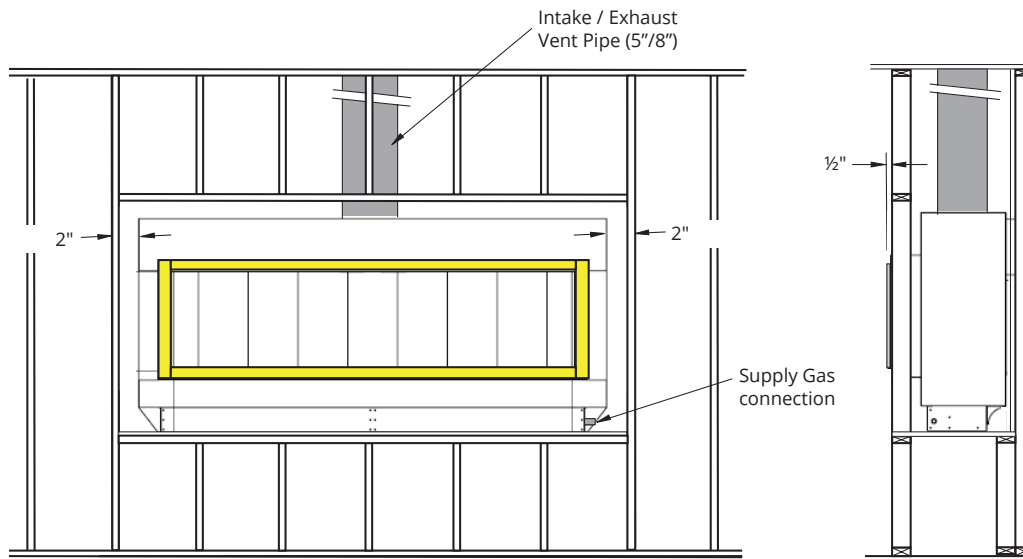


Figure 3.g Fireplace installation, (Inlet Gas & Power Vent).

Place the Fireplace on the platform and install the Vent pipe, and Power Vent module. Next, connect the Gas line, and provide a gas service shut-off valve; according to local gas codes. Before fastening in place, line up the front face of the fireplace (top and bottom), Figure 3.g

Then, secure in place with 1/4" bolts and washers to the platform.

## Back framing the Fireplace

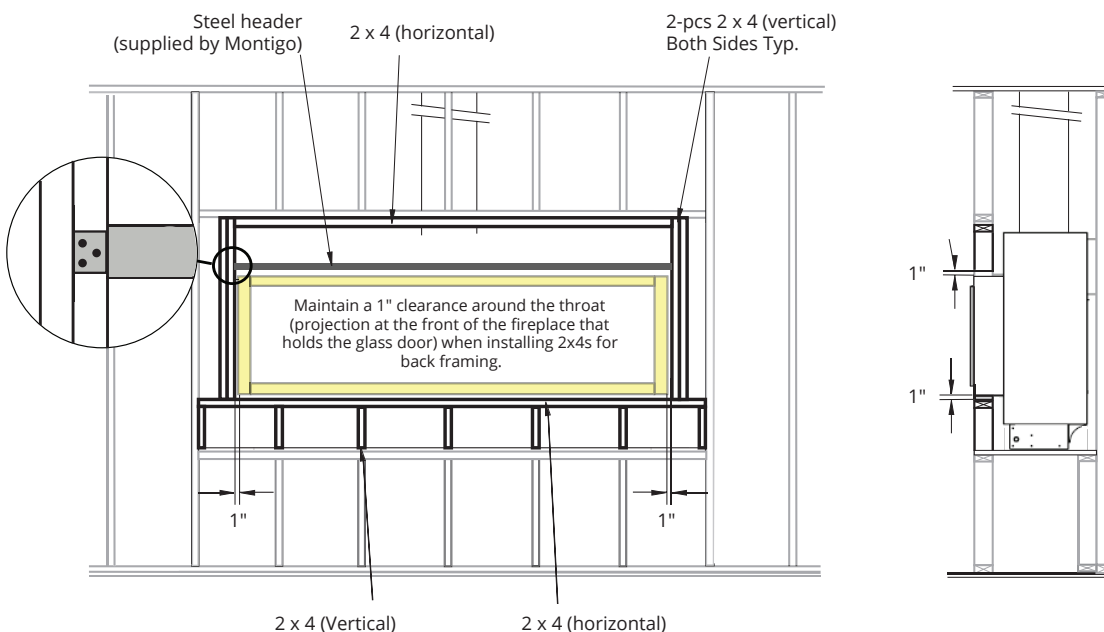
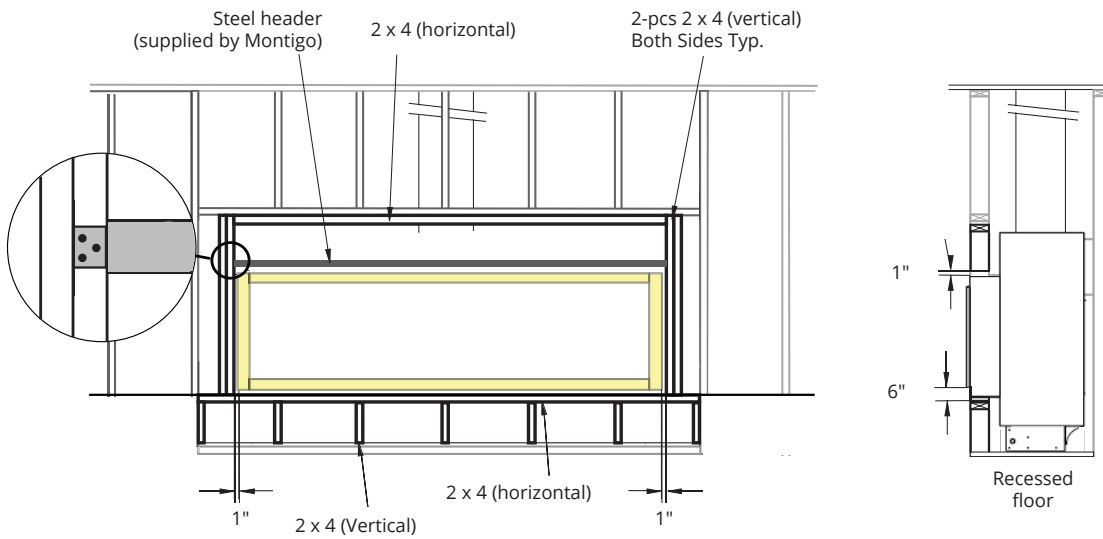


Figure 3.h Completed back frame Fireplace installation

1. Cut and install one 2x4 to fit horizontally under the fireplace throat.
2. Cut and install required quantity of short filler 2x4's to fit vertically under the horizontal piece.
3. Cut and install four vertical 2x4's. Place 2 on each side of the fireplace throat.
4. Install supplied steel header 1" above the throat. Attach steel header to vertical 2x4's as shown in figure 5.
5. Cut and install one horizontal 2x4 below the top frame.

Back framing dimensions	
Model	Supplied Steel Header Measurements
R320	46 1/2" x 3"
R420	58 1/2" x 3"
R520	70 1/2" x 3"
R720	80" x 3" - qty 2
R820	80" x 3" - qty 2

## Recessed into floor Installation



**Figure 3.i** Recessed Fireplace installation

This fireplace can be recessed into the floor to get the viewing area as low as possible.

Maintain a minimum of 6" clearance from the bottom of glass to completed floor. Minimum clearance can be reduced to 3" for uncarpeted flooring. Discoloration may occur due to high temperatures.

## Section 3: Venting

Montigo supplies a variety of power venting options. The location of the power vent should be selected and laid out to provide the most efficient possible run to an external wall or through the roof.

### Notes For Planning Venting:

- R-Series fireplaces are Power Vent Designated.
- Venting originates from the top or rear of the unit.
- Venting can terminate through the roof or exterior wall.
- For a detailed diagram of allowed termination locations, see Appendix A.
- Once the termination location has been established refer to the appropriate section for installation details.
- All fireplaces are shipped Top Vent from the factory.
- Follow the chart on page 14 or page 15 for maximum ventrun and maximum elbows.

### Section 3-1: Converting to Rear Vent

R-Series units are shipped for Top Vent installations. Follow the instructions to convert unit for Rear Vent installation:

#### Section 3-1-1: Converting the Flue

1. Remove the Rear flue cover with gasket on the flue outlet, as shown in Figure 4. ENSURE YOU DO NOT DAMAGE THE FIBRE GASKETS.
2. Remove the Top flue collar on the flue outlet, as shown in Figure 4. ENSURE YOU DO NOT DAMAGE THE FIBRE GASKETS.
3. Install the removed Rear flue cover to the Top Vent outlet. Fasten the cover with included hardware, as shown in Figure 4b.

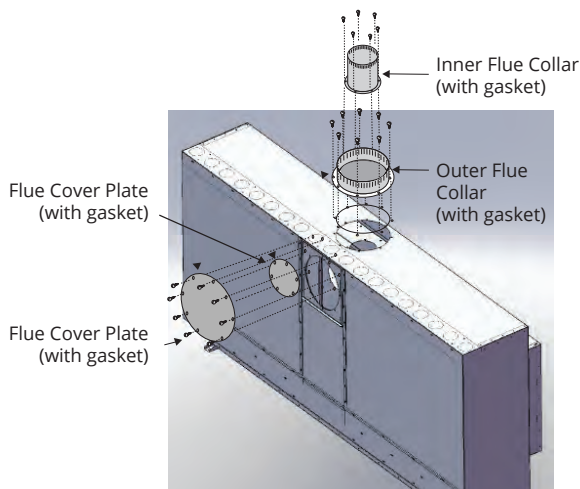


Figure 4. Flue cover and collar removal, Top Vented fireplace.

4. Install the collars to the rear vent outlet using the included hardware, as shown in Figure 4.b
5. Proceed to Section 3-1-2: Converting Pressure Sensing Tube and Air Baffle.

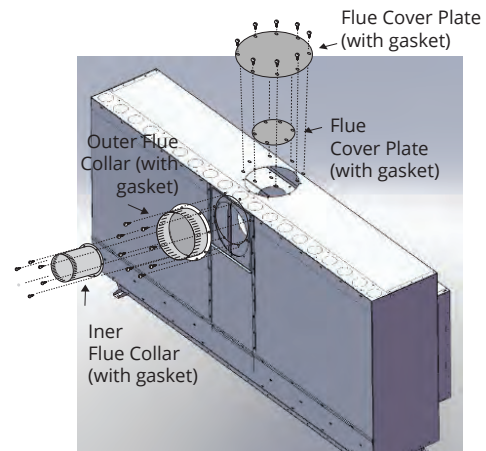


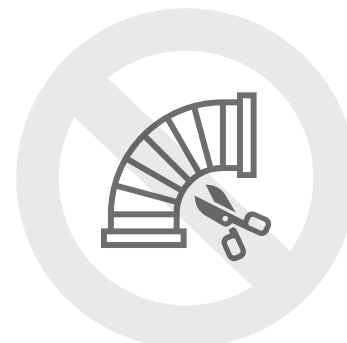
Figure 4.b Flue cover and collar installation, Rear Vented fireplace

### NOTICE

R320 and R420 units have 5" and 8" venting and are converted to rear venting in the same instructions as the 5" and 10"

### NOTICE

Under no circumstances can Montigo flex venting be cut to accommodate an installation. Use an alternative length to complete your vent run.



## Section 3-1-2: Converting the Pressure Sensing Tube and Air Baffle

When the unit is converted from Top Vent to Rear Vent, the pressure sensing tube must be removed and replaced with supplied Rear Vent pressure sensing tube and air baffle must be relocated as described below.

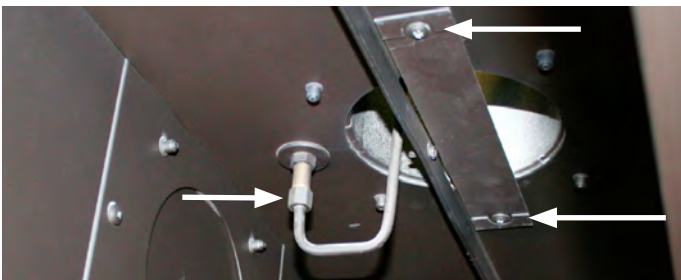


**Figure 5** Factory installed Top Vent Pressure Sensing Tube



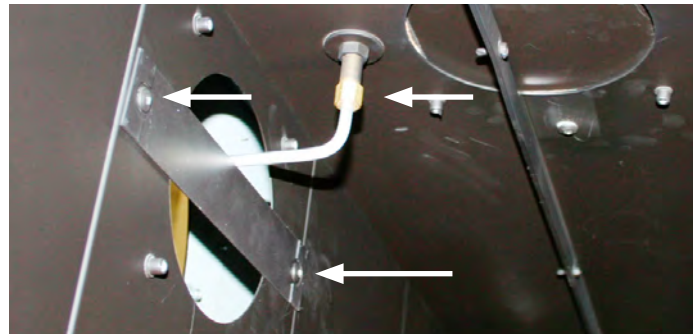
**Figure 5.b** Supplied Rear Vent Pressure Sensing Tube

1. Remove two screws from the air baffle installed over the Top Vent from inside the firebox. Once air baffle is removed, replace the two screws back into the same position. NOTE: Not all models are equipped with an air baffle. Only convert if available.
2. Remove Top Vent pressure sensing tube but loosening the compression nut with a 1/2" wrench.



**Figure 5.c** Removal of Top Vent air baffle and pressure sensing tube

3. Position the supplied Rear Vent pressure sensing tube as shown in Figure 5d. Hand tighten the compression nut by hand and then a half-turn with a wrench.
4. Install air baffle over Rear Vent from inside the firebox with two screws provided at the Rear Vent.



**Figure 5.d** Install of side air baffle and pressure sensing tube.

**NOTE:** Rear vent pressure sensing tube is shipped inside the control box.

## Section 3-2: Installing a Roof Mounted Vent System

This section applies to installations where the most efficient vent run is through the roof. Refer to Appendix A - Power Vent locations, to ensure the planned Power vent location is acceptable. Refer to the table below for vent run requirements

Vent Configuration	Refer to Figure	Maximum Vent Run (Horizontal + Vertical)	Maximum Elbowst
Straight Vertical Top or Rear Vent	Figure 6	100 Feet	Six 90° or equivalent †
Multi-Elbow Top or Rear Vent	Figure 6.b		
Multi-Elbow with 6' downward vent run Top or Rear Vent	Figure 6.c	70 Feet**	

† One 90° elbow is equal to two 45° elbows.

\*\* For every additional 1 foot downward vent run subtract 10 feet from the maximum vent run.

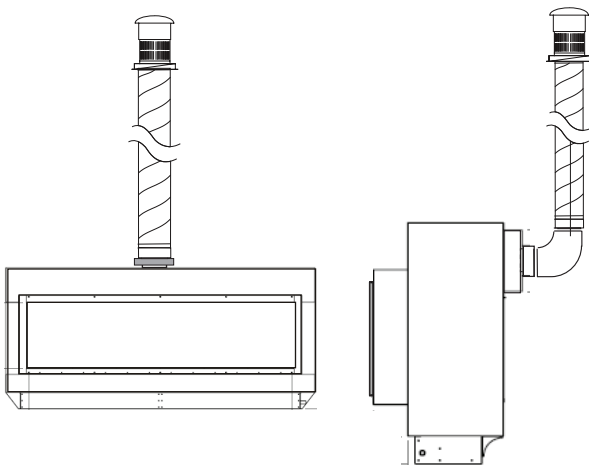


Figure 6. Straight Vertical, Top or Rear Vent, Roof mounted power vent.

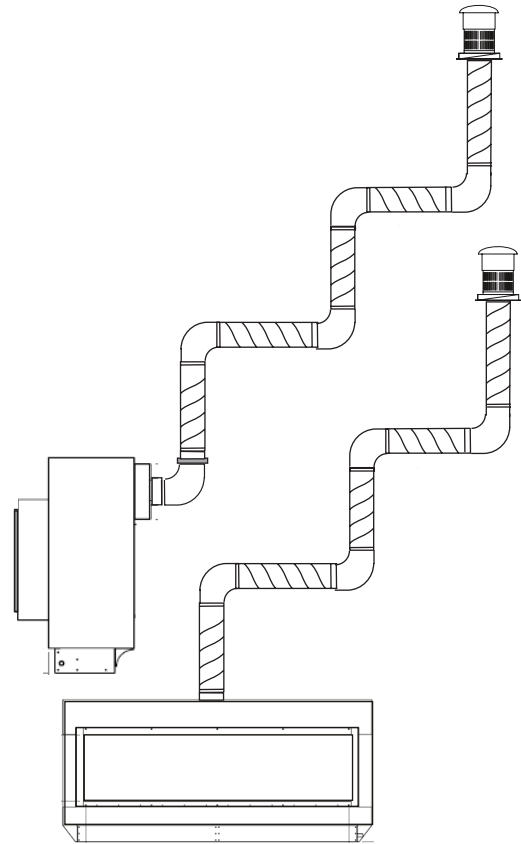


Figure 6.b Multi-Elbow, Top or Rear Vent, Roof mounted power vent.

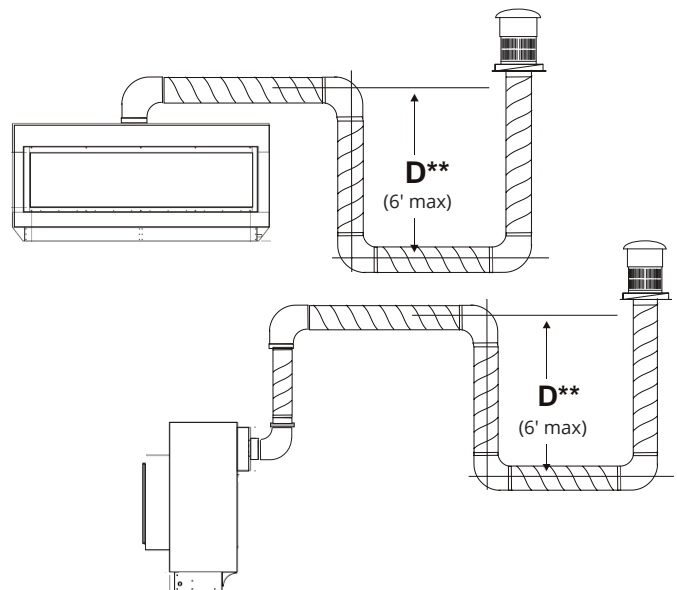


Figure 6.c Multi-Elbow with downward vent run, Top or Rear Vent, Roof mounted power vent.

## Section 3-3: Installing a Wall Mounted Vent System

This section applies to installations where the shortest possible vent run is through the wall. Refer to Appendix A - Power Vent locations, to ensure the planned Power vent location is acceptable. Refer to the table below for vent run requirements. Please note, images are shown without screens for clarity purposes. However, your fireplace should not be operated without proper installation of screens.

Vent Configuration	Refer to Figure	Maximum Vent Run (Horizontal + Vertical)	Maximum Elbows†
Straight Horizontal Top or Rear Vent	Figure 6.d	100 Feet	Six 90° or equivalent †
Multi-Elbow Top or Rear Vent	Figure 6.f		
Multi-Elbow with 6' downward vent run Top or Rear Vent	Figure 6.g	70 Feet**	

† One 90° elbow is equal to two 45° elbows.

\*\* For every additional 1 foot downward vent run subtract 10 feet from the maximum vent run.

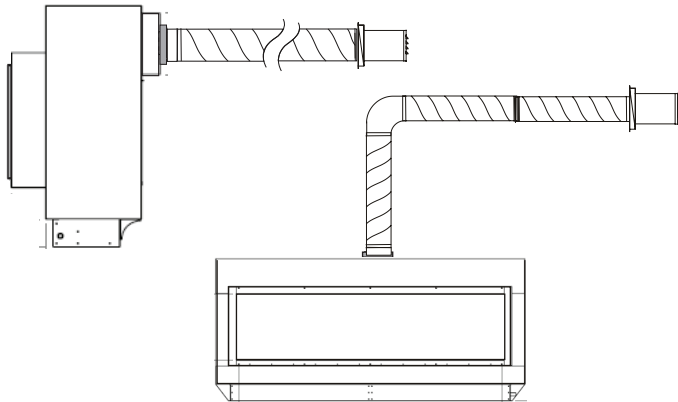


Figure 6.d Straight Horizontal, Top or Rear Vent, Wall mounted power vent.

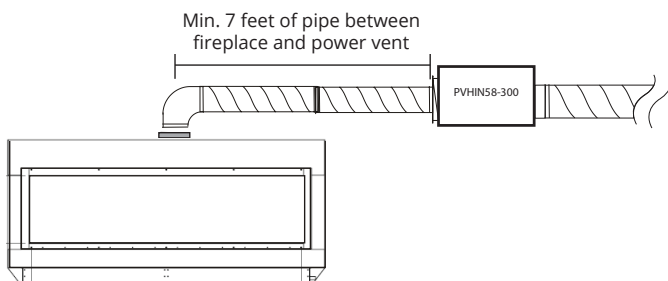


Figure 6.e PVHIN58-300 Power Vent

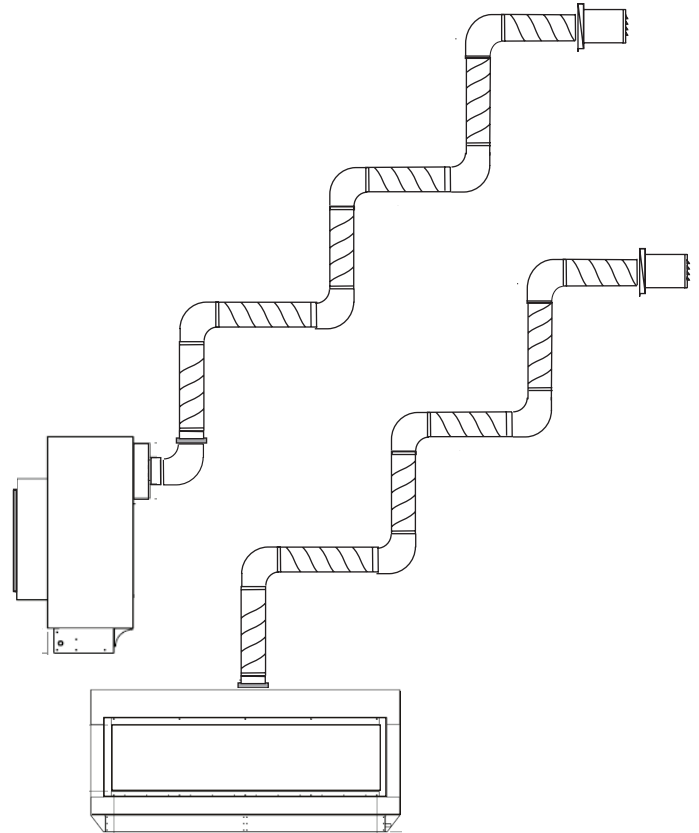


Figure 6.f Multi-Elbow, Top or Rear Vent, Wall mounted power vent.

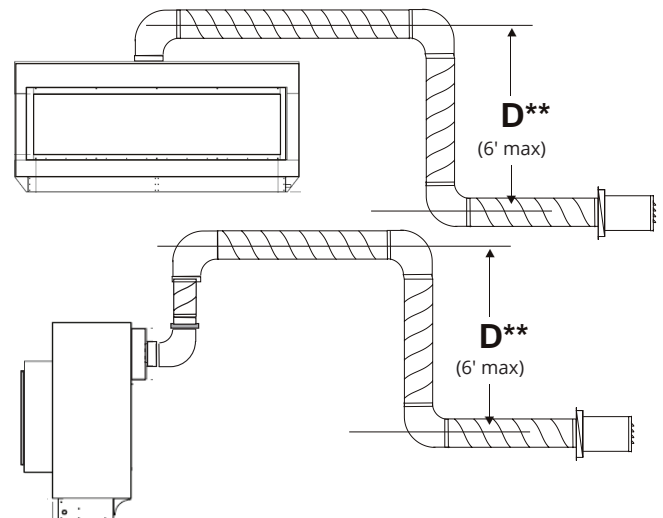


Figure 6.g Multi-Elbow with downward vent run, Top or Rear Vent, Wall mounted power vent.

## Section 3-3-2: Venting Components

The following components and associated Montigo part numbers are for installation of a roof or wall mounted termination. Use of non-Montigo approved parts will VOID the warranty and may impede operation of the fireplace.

<b>A - Termination</b>	PVHEX58-300 Wall Mount 5"/8" PVHFL58-300 Flush Wall Mount 5"/8" PVVEX58-300 Roof Mount 5"/8" PVHEX510-300 Wall Mount 5'/10' PVHFL510-300 Flush Wall Mount 5'/10' PVVEX510-300 Roof Mount 5'/10'
<b>B - Frame Kits</b>	EPVRRF (Roof Mount 5"/10") EPVRWF (Wall Mount 5"/10")
<b>C - Flex Sections (5/8 Vent)</b>	PFL1 (12" f/f Section) PFL2 (24" f/f Section) PFL3 (36" f/f Section) PFL4 (48" f/f Section) PFL6 (72" f/f Section)
<b>D - Flex Sections (5/10 Vent)</b>	RFL1 (12" f/f Section) RFL2 (24" f/f Section) RFL3 (36" f/f Section) RFL4 (48" f/f Section) RFL6 (72" f/f Section)
<b>E - Rigid Sections (5/8 Vent)</b>	PXT - 10 (10" f/f Section) PXT - 20 (20" f/f Section) PEXT - 1 (12" f/m Section) PEXT - 2 (24" f/m Section) PEXT - 3 (36" f/m Section) PEXT - 4 (48" f/m Section) PEXT - 6 (72" f/m Section)
<b>(5/10 Vent)</b>	RXT - 10 (10" f/f Section) RXT - 20 (20" f/f Section) REXT - 1 (12" f/m Section) REXT - 2 (24" f/m Section) REXT - 3 (36" f/m Section) REXT - 4 (48" f/m Section) REXT - 6 (72" f/m Section)
<b>F - Elbows (5/8 Vent)</b>	PEL-90MM (m/m 90° Elbow) PEL-90FF ( f/f 90° Elbow) PEL-90FM ( f/m 90° Elbow) PEL-45FM ( f/m 45° Elbow)
<b>(5/10 Vent)</b>	REL-90MM (m/m 90° Elbow) REL-90FF ( f/f 90° Elbow) REL-90FM ( f/m 90° Elbow) REL-45FM ( f/m 45° Elbow)
<b>G - Support Ring &amp; Plate</b>	PSPXT-8 (5/8 venting) RSPXT-10 (5/10 venting)
<b>H - Firestop</b>	FS-8 (5/8 venting) FS-10 (5/10 venting)
<b>I - Heat Shield</b>	RHS101 (5"/8") RHS102 (5"/10")

## Connection and installation of the vent components should adhere to the following guidelines:

- Use any combination of rigid and flex pipe as required and in any orientation (Male connectors can face in any direction).
- Flex sections may be stretched up to 150% of their total length (e.g. a 24" section may be stretched to 36").
- Connect all vent sections using a minimum of three sheet metal screws on the outer pipe flue.
- Ensure the pipe ends male to female slide in a minimum of 1½" of overlap.
- Ensure all horizontal runs are supported with a minimum of 3 supports per 10' of venting.
- When hanging/supporting venting, ensure that 1" clearance is maintained on sides and bottom of vent runs and 2" above horizontal vent runs to any combustible material.
- Rigid pipe may be cut less than half way from the **FEMALE END ONLY**.
- Ensure when cutting sections of rigid pipe to maintain integrity of internal supports.
- **FLEX PIPE CANNOT BE CUT**
- Place the springs, supplied with the pipe kit (flex only), between the outer and inner pipes to keep the pipes separate and avoid any possible hot spots.
- Montigo recommends the use of a flex section for the first section of venting connected directly to the fireplace, offering greater flexibility of installation and absorption of movement.
- Firestops must be installed as required by national & local codes.
- Montigo recommends that all exterior corners and joints be sealed with exterior caulking. However, we encourage you to consult your Building Envelope Engineer or Waterproofing Consultant for further recommendations.

### IMPORTANT:

Please refer to your Building Envelope Engineer or Waterproofing Consultant for a review of ALL penetrations through exterior walls or the roof.

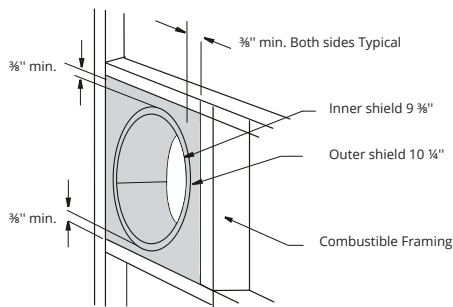


## Section 3-3-3: Heat Shields

### Installing a Wall Mounted RHS101 Heat shield (5"/8")

The RHS101 Heat shield must be used if vent pipe passes through a wall or ceiling within 6' of the unit.

To install the RHS101, Slide the Inner Section over the vent pipe that will connect to the fireplace. Then fasten the vent pipe to the back of the fireplace with a minimum of three sheet metal screws. From the outside slide the RHS101 outer section on. To complete the installation fasten the Heat Shield Outer Section & inner section to the structure. See Figure 7.

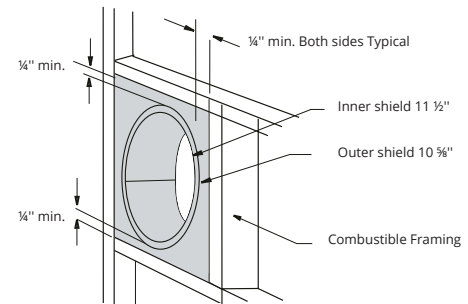


**Figure 7.** RHS101 Installation. (Install by sliding over vent pipe where it passes through the combustible construction).

### Installing a Wall Mounted RHS102 Heat shield (5"/10")

The RHS102 Heat shield must be used if vent pipe passes through a wall or ceiling within 6' of the unit.

To install the RHS102, Slide the Inner Section over the vent pipe that will connect to the fireplace. Then fasten the vent pipe to the back of the fireplace with a minimum of three sheet metal screws. From the outside slide the RHS102 outer section on. To complete the installation fasten the Heat Shield Outer Section & inner section to the structure. See Figure 7.b



**Figure 7.b** RHS102 Installation. (Install by sliding over vent pipe where it passes through the combustible construction).

## Section 4: Wiring

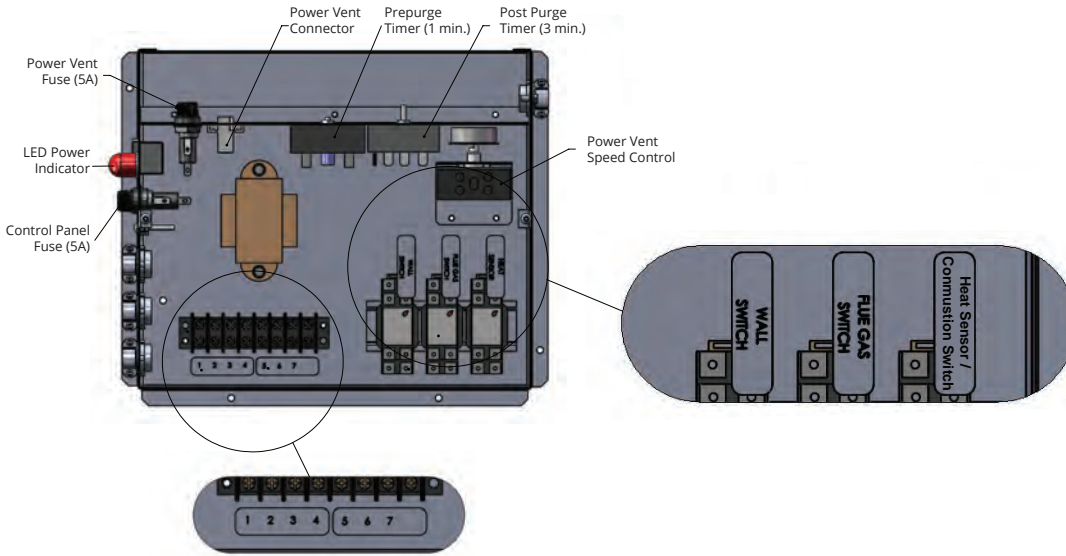


Figure 8. (Control Panel Overview)

### Installing the Fireplace Control Box

Install the Fireplace Control Box in an accessible location. The location should be where maintenance, adjustments and service may be made easily.

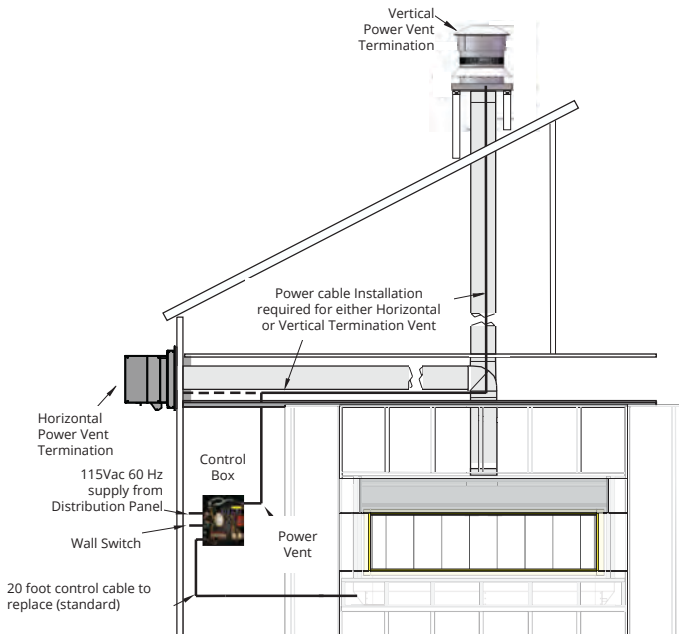
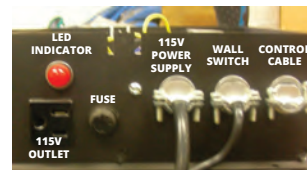


Figure 8.b Control Box / Power Vent Wire Routing Diagram

### Installing the Wall Switch

The unit may be connected to a wall switch. The system operates on a 24V AC. DO NOT connect this circuit to an external power source



Left-side View



Right-side View

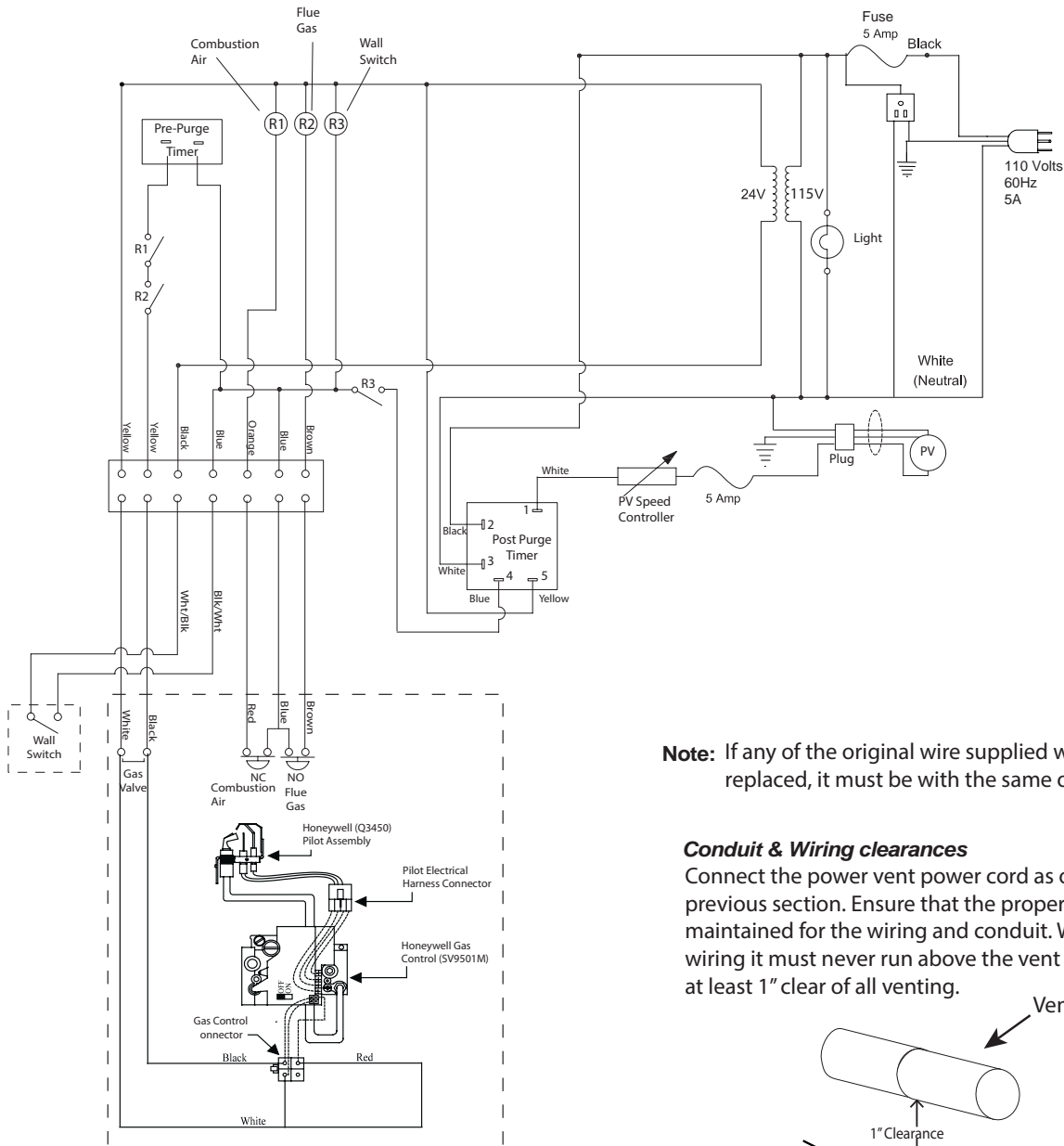


Figure 8.c (Wall Switch Wire connection)

**CAUTION**

Ensure the wires are properly isolated from metal parts or control system will be damaged

## Electrical control panel



**Note:** If any of the original wire supplied with the appliance is replaced, it must be with the same or its equivalent.

### Conduit & Wiring clearances

Connect the power vent power cord as outlined in the previous section. Ensure that the proper clearances are maintained for the wiring and conduit. When installing the wiring it must never run above the vent run and it must be at least 1" clear of all venting.

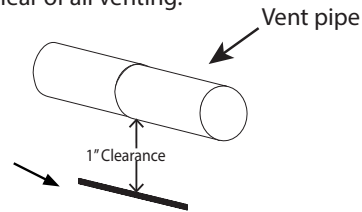


Figure 8.d Electrical control panel

## Section 5: Installing the gas line

### Fuel Type

- Verify that your fireplace is compatible with your available gas type.
- Natural Gas or Propane shown by "N" or "L" in your model number on rating plate.

### Gas Pressure

- Optimum appliance performance requires proper input pressures.
- Gas line sizing requirements will be determined in ANSI Z221.3 National Fuel Gas Code in the USA and CAN/CGA B149 in Canada.

#### Pressure requirements (during operation):

PRESSURE REQUIREMENTS		
Gas Pressure	Natural Gas	Propane
Minimum inlet pressure	5.5in. w.c.	11in. w.c.
Manifold pressure	3.5in. w.c.	10in. w.c.

Figure 9. Pressure Requirements

- The manifold outlet pressure is set from the factory to the appropriate pressure but should be verified.
- To check pressures, control valves have a provision to remove a 1/8" N.P.T. plug to be fitted with a hose barb.
- Montigo requires a service shut off valve be located in an accessible location to isolate the gas supply.
- Only install gas shut-off valves approved for use by the state, province, or other governing body in which the fireplace is being installed.

### Section 5-3: GAS CONNECTION

- See Figure 9.b for location of gas line access.
- Flexible gas connectors must not exceed 3 feet in length, unless allowable within local regulations.
- Connect incoming gas line to the 1/2" Male NPT gas inlet.
- Purge all air out of gas line before connecting port.
- Check appliance connection, valve and valve train under normal operating pressure with a commercially available leak check solution

**DO NOT USE A FLAME OF ANY KIND TO TEST FOR LEAKS.**

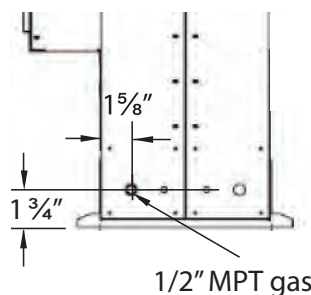


Figure 9.b gas line access

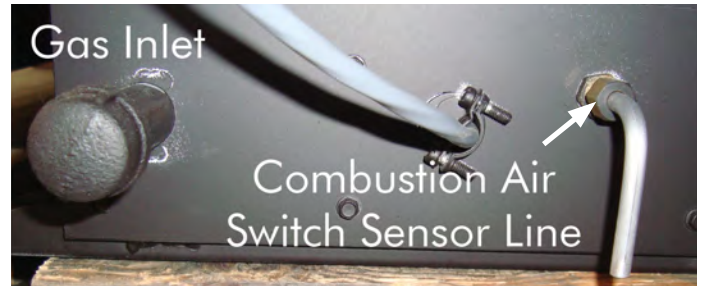


Figure 9.b.b Identifying the Gas Inlet and Combustion Air Switch Sensor Line

### ⚠ DANGER

After gas line is connected, each appliance connection, valve and valve train **MUST** be checked while under normal operating pressure with either a Liquid Solution, or Leak Detection Device, to locate any source of leak. Tighten any areas where bubbling appears or a leak is detected until bubbling stops completely or leak is no longer detected. **DO NOT** use a flame of any kind to test for leaks. A fire or explosion will occur, causing serious injury, property damage or death.

### ⚠ WARNING

An inspection of the explosion relief flappers and door **MUST** be made prior to lighting the fireplace. A faulty seal on the door gasket and/or explosion ports will result in products of combustion leaking into the living space and may result in carbon monoxide poisoning.

### NOTICE

When pressure testing the fireplace, gas line, and input system follow the appropriate local codes for your area. **DO NOT** connect the fireplace to pressures in excess of 1/2lb. This will damage the gas control valve.

## Section 6: Testing the system

### 6-1: Testing the system before gas connection

The Control and Power Vent System can be safely tested prior to finish framing the Fireplace. This test can be done quickly and efficiently to ensure all systems function according to the design specifications.

The fireplace should be installed on the rough-in frame, Figure 3 with the Power Vent Module and the Vent run connected.

- The control panel is supplied with a power cord plug in.
- Plug it into an extension cord or any other 110 Volt power supply.
- If the red LED is illuminated (beside the fuse) you have power to the panel.
- If no LED, check fuse and replace with equally rated fuse.
- Turn the wall switch to the on position.
- Wall switch and combustion air LED illuminate approximately 30 seconds after the power vent reaches factory set speed. The flue gas switch LED will light up approximately 1 minute after flue gas LED is lit and the gas valve will turn on. You can hear a clicking sound and the Hot Surface Ignitor will glow red. This confirms the control system operation. **Note:** If the flue gas LED does not light up after 1 minute, slowly increase the power vent speed until the LED turns on. Speed controller located inside the control box, see figure 8.d.



Figure 9.c LED Indicators

### 6-2: Testing the system with gas connection (Highly recommended)

The Control and Power Vent System can be safely tested prior to finish framing the Fireplace. This test can be done quickly and efficiently to ensure all systems function according to the design specifications.

The fireplace should be installed on the rough-in frame, Figure 3 with the Power Vent Module and the Vent run connected.

- Turn gas supply valve on
- The control panel is supplied with a power cord plug in.
- Plug it into an extension cord or any other 110 Volt power supply.
- If the red LED is illuminated (beside the fuse) you have power to the panel.
- If no LED, check fuse and replace with equally rated fuse.
- Turn the wall switch to the on position.
- Once the fireplace is running normally, confirm manifold pressure and supply pressure

## Section 7: Finishing the fireplace

Install the supplied Non-combustible cement board to overlap the new Horizontal & Vertical 2 x 4's, See Figure 10. Place the Non-combustible wall board above the fireplace throat, allowing  $\frac{1}{8}$ " clearance from the rim above the fireplace opening. Pre-drill the board with  $\frac{1}{8}$ " drill and secure to framing with Nails, use flat heat sheet metal screws to fasten the board to the metal header.

Cement board dimensions	
Model	Non-Combustible cement board
R320	52 ½" x 15 ½"
R420	62 ½" x 15 ½"
R520	72 ½" x 15 ½"
R720	72 ½" x 15 ½"
R820	82 ½" x 15 ½"

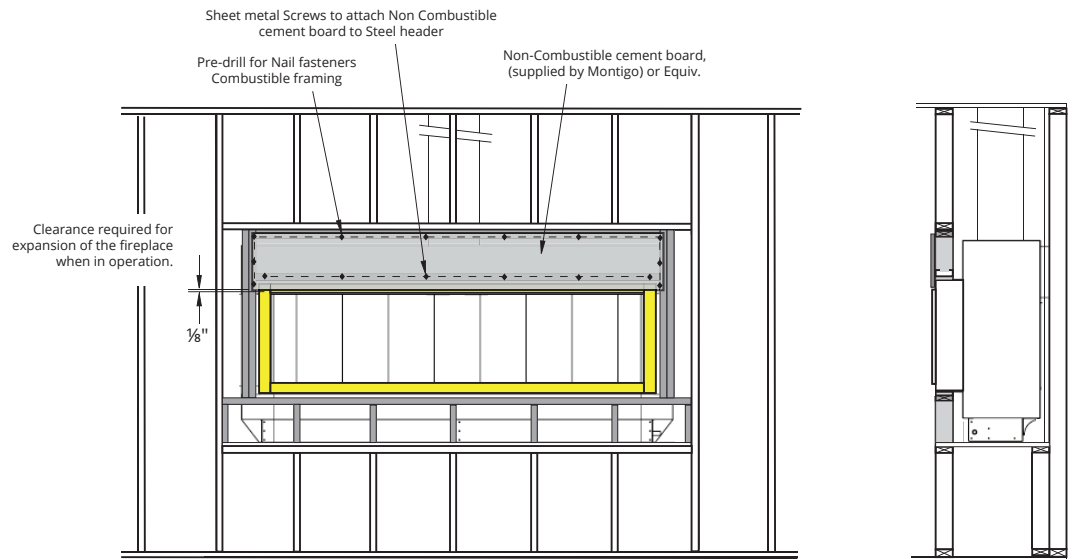


Figure 10. Non-combustible Board over the Fireplace, (supplied by Montigo).

Cut standard Gyproc / Drywall board to complete the installation of the surround. Fit the edge of the board to the rim around the fireplace opening. Fasten the board in place using standard drywall screws.

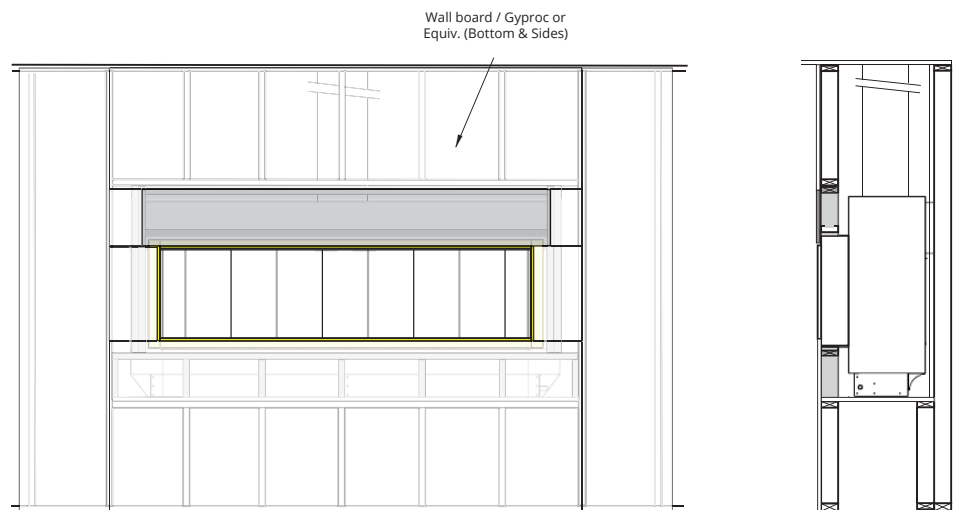


Figure 10.b Fireplace installation (Cut the remainder of Gyproc / Wall board to complete the fireplace surround).

## Finishing Around the Fireplace

Combustible mantels and mouldings may be safely installed over the top and on the front of the fireplace provided that they do not project beyond shaded area shown in Figure 10.c

The face of the fireplace may be painted to match the room decor, provided you use a heat-resistant paint. Decorative facing must not extend past the fireplace opening at all, because it will interfere with the access to retainers for removal of glass door.

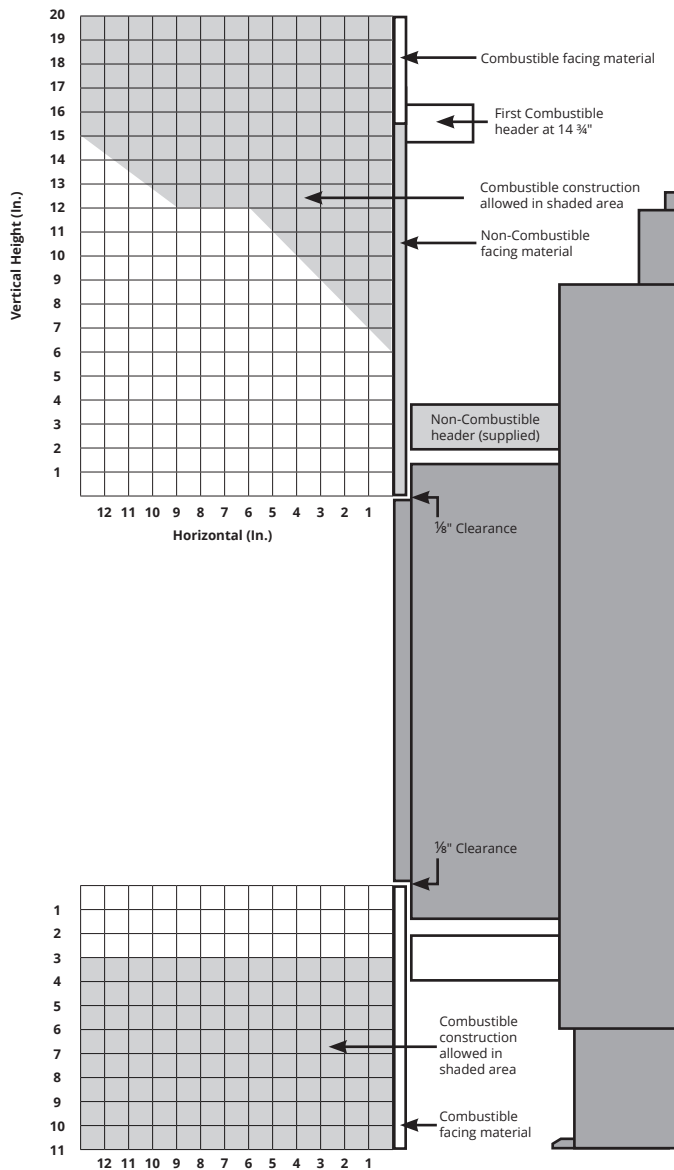


Figure 10.c Combustible mantles and facings. (Not to scale)

## Mantels & Surrounds

NOTE: National Canadian Gas Association mantel test requirements are for fire hazard prevention to combustible materials.

New technology, to meet consumer and government demands for the wise use of energy, has prompted us to manufacture many models of fireplaces which are hot, fuel and energy efficient.

Please be aware; temperatures over the mantel will rise above normal room temperature and walls above fireplace may be hot to touch.

We recommend careful consideration be given to the effects of elevated mantel temperatures which may be in excess of product design, for example: candles, plastic or pictures. This can cause melting, deformation, discoloration or premature failure of T.V. and radio components.

Side wall clearances are 6". Combustible surrounds may be installed with 6" clearance to the side of the fireplace as shown in Figure 10.d

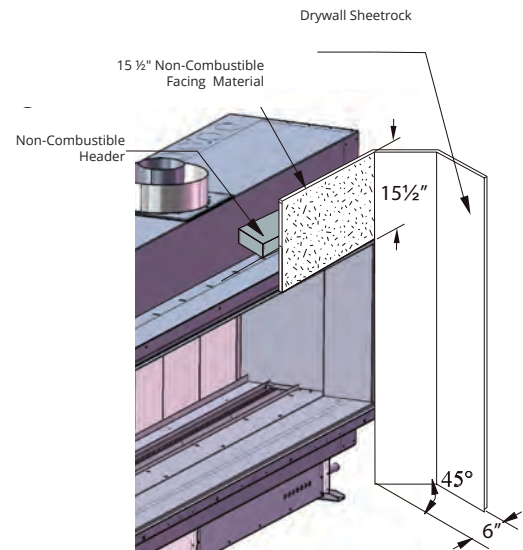


Figure 10.d Combustible surrounds.

## Section 8: Removing & Installing Screen and Window

### Removing the Screen

Follow the steps below to remove, or install the fireplace screen and door. Before beginning any screen or glass removal, make sure that the unit has not been in operation and that it is at room temperature.

#### Step 1: Prepare to Lift out Screen Assembly

Grip either end of the screen assembly and pull towards yourself. The screen assembly is held to the unit by both friction and magnets.

#### Step 2: Lift out the Retaining Tabs and screen.

The Retaining Tabs are quite long and in most cases, this task would be better performed by two people.

Once the Retaining Tabs have come away from the Fireplace, lift the screen away and store in a safe place. The Screen is very fragile and can be easily torn, dented or deformed. Refer to Figure 11 below.

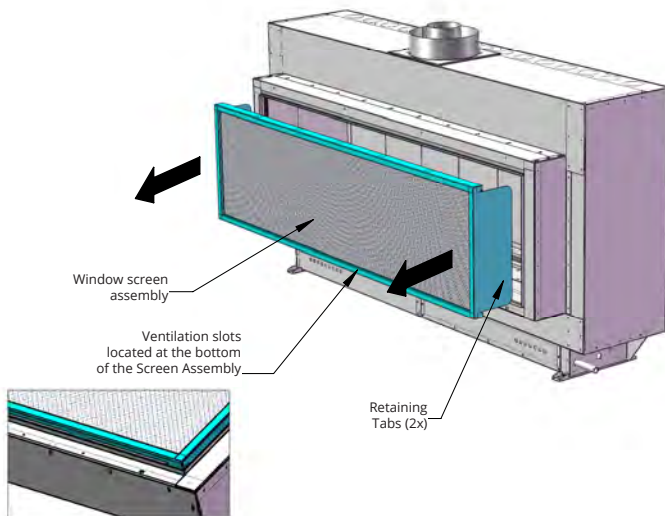


Figure 11. Screen Removal.

### NOTICE

Any safety screen, guard, or barrier removed for servicing an appliance, must be replaced prior to operating the appliance

### Removing the Window

Follow the steps to remove, or install the fireplace window

#### Step 1: Use Glass Lifting Tools to Remove Window

Use the Glass Lifting Tools that are included with your fireplace. Attach one to each end of the window pane. Make certain that they are firmly attached and secure.



Figure 11.b Glass lifting tool

#### Step 2: Lift out Window from Grooves

The window is removed by first lifting upward on the glass and then by pulling the bottom out from the groove in which it was located (see image below).

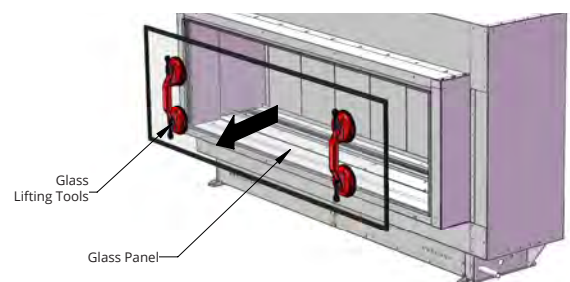
Once the bottom of the window is clear of the fireplace, lower the window down from the upper groove in which it was located. Lift the window clear of the fireplace and store it in a safe place.



Figure 11.c Window Removal (using glass lifting tools).

### Reinstalling the door

Follow the four previous steps to re-install the R-Series fireplace window.





## Section 9: Installing the Accessories

### Installing the Firestones or optional Fireglass

The unit is supplied with firestones. Optional fireglass may be purchased from the dealer. Remove the Door as shown in the previous Instruction. Once the glass door is removed place the firestones randomly across the pan and the burners as described in Figure 11.d to 11.e

Note: Only cover the burner with one layer of firestones or fireglass.



Figure 11.d spreading out firestones



Figure 11.e Completed firestone installation

### Installing Optional Speckled Stones

R520, R820

Once the glass door has been removed as shown in the previous section, place the speckled stones evenly across the pan and burner. Ensure stones do not overlap too much as this will effect the flame pattern, see figure 11.f DO NOT cover the pilot with stones.

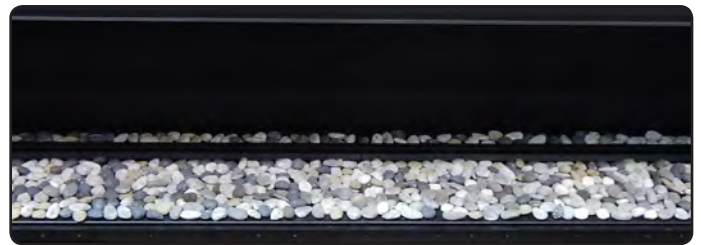


Figure 11.f Completed Speckled Stone installation

### Installing Optional River Rocks

The R Series has the option of installing the cultured rocks which mimic real stone. These may be spaced at random, or in a visual pattern of your preference. See the Montigo web site for photographs and ideas.

#### WARNING

This appliance is intended for use only with the included Montigo burners and accessories. Never install or add any additional or alternative media, rock wool or other material in this appliance. The use of additional or alternative materials may pose potential safety hazards, damage to the appliance, and void manufacturer's warranty.

## Optional Log Set - R520

The Fireplace has the option of installing a drift wood log set. Once the base media of fireglass, firestones, or speckled stones has been placed the log set can be installed. Ensure logs are securely placed and will not tip or fall.

### Log Kit Installation

Log kits used to create sequence shown: 2 LGS58, 1 LGS57



Figure 12. LGS57

**STEP 1:** Place logs A and B from set LGS57 evenly spaced apart behind the burner.



Figure 12.b



Figure 12.c. LGS58

**STEP 2:** Place log 2 leaning against log B at the right side of the tray.



Figure 12.d

**STEP 3:** Place the first log #3 in front of the burner against the right side of the tray.



Figure 12.e

**STEP 4:** Place log #6 leaning against log #3.



Figure 12.f

**STEP 5:** Align log #3 against log B, crossing from the front section of the fireplace to the rear tray as shown.

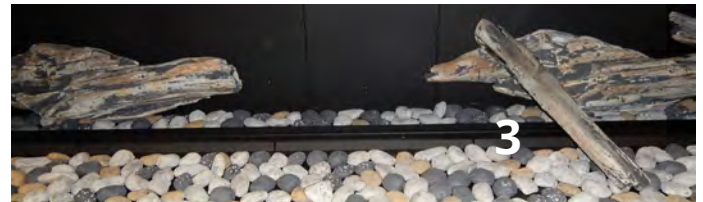


Figure 12.g

**STEP 6:** Place log #1 along the inner side of the fireplace as shown, touching log #3.

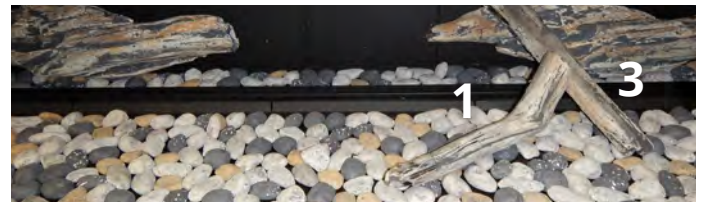


Figure 12.h

**STEP 7:** Place the first log #2 between logs A and B behind the burner port.

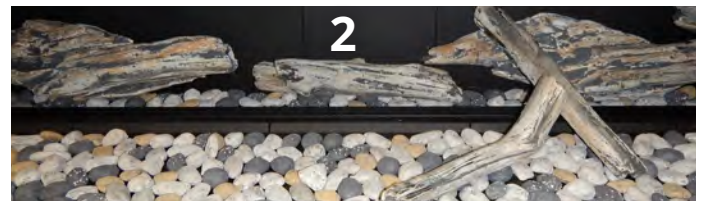


Figure 12.i

**STEP 8:** Log #3 is placed just in front of the burner in the middle of the tray.



Figure 12.j

**STEP 9:** Log #5 rests across logs #3 and #2, crossing over the burner.



Figure 12.k

**STEP 10:** Log #4 leans on the top of log A, with the other end resting on the other side of the burner



Figure 12.l

**STEP 11:** #6 rests against log #4 in front of the burner



Figure 12.m

**STEP 12:** The second log #5 rests on log B and crosses over the burner.



Figure 12.n

**STEP 13:** The second log #1 is placed parallel to the burner and in front of log B.



Figure 12.o



Figure 12.p

Note: It is normal to see some soot build-up on logs that cross the flame. Soot should not build up enough to form balls. Adjust logs away from flame as necessary if this occurs.

## Optional Log Set - R820

The Fireplace has the option of installing a drift wood log set. Once the base media of fireglass, firestones, or speckled stones has been placed the log set can be installed. Ensure logs are securely placed and will not tip or fall.

### Log Kit Installation

Log kits used to create sequence shown: 3 LGS58, 1 LGS57



Figure 13. LGS57

**STEP 1:** Remove both logs in kit LGS57. Both logs are identical.

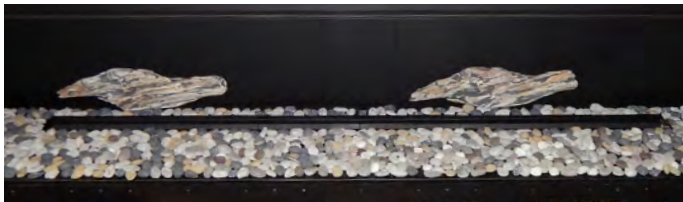


Figure 13.b

Place each log in the location shown in figure 13b. Use the panel joints as reference. The logs should be behind the burner ports and leaning against the panel.



Figure 12.c

The log placed on the right should be orientated in the same direction to the left log.

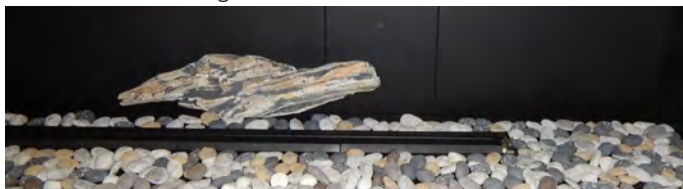


Figure 12.d



Figure 13.e LGS58

**STEP 2:** Place Log B behind the burner port next to the right log of LGS57. See figure 13f.



Figure 13.f

**STEP 3:** Place log C from the LGS58 kit to the right of the port, resting on log B, see figure 13g.

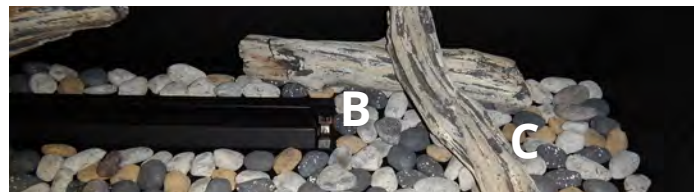


Figure 13.g

**STEP 4:** Place log E with the thinner end resting on log 3.



Figure 13.h

**STEP 5:** Place log A in front of the right side of the burner port beside log E.

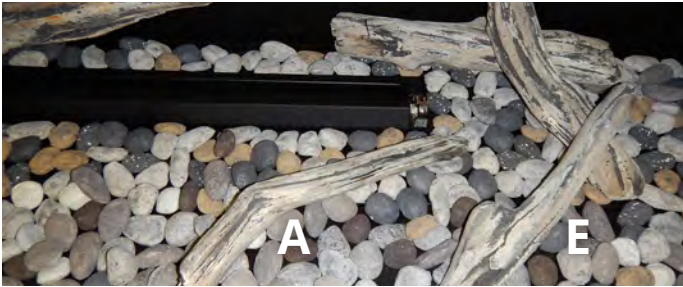


Figure 13.i

**STEP 6:** Place log B resting on the curved portion of log A in front of the burner port.

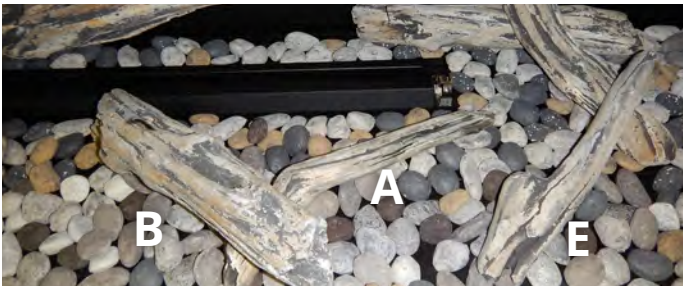


Figure 13.j

**STEP 7:** Log 5 is placed resting against the right log from set LGS57, crossing over the burner with the other end placed just in front of the burner.



Figure 13.k

**STEP 8:** Place log 6 diagonally in front of the burner between log 2 and the end of log 5.



Figure 13.l

**STEP 9:** Log 4 rests diagonally with one end on log 6 in front of the burner.



Figure 13.m

**STEP 10:** Place log 4 in between the two logs from set LGS57 behind the burner in the center of the fireplace.

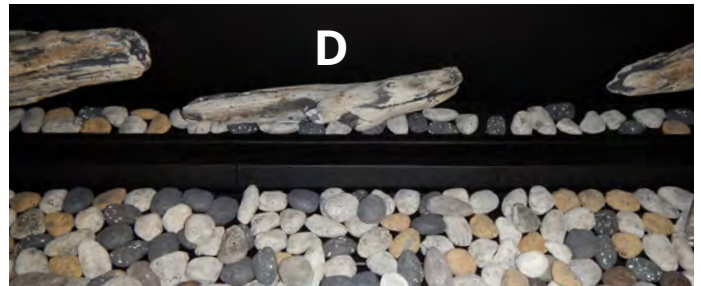


Figure 13.n

**STEP 11:** Diagonally place log 2 resting on the right end of log 4.



Figure 13.o

**STEP 12:** Place log 3 in the center of the fireplace, just in front of the burner.



Figure 13.p

**STEP 13:** Place log A in line with the burner, with the one straight end on log C.



Figure 13.q

**STEP 14:** In front of the Left log from set LGS57, place log E diagonally in front of the burner.

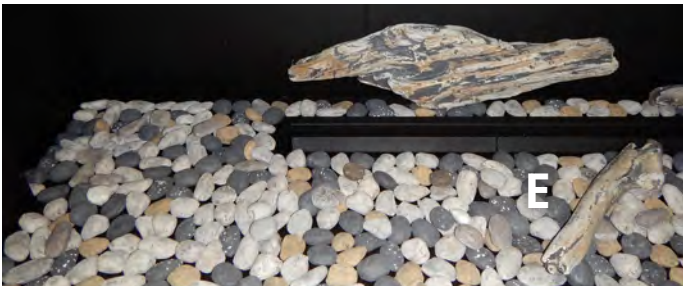


Figure 13.r

**STEP 15:** Place log F bridged between log E and the left log from set LGS57. This log will go overtop of the burner.



Figure 13.s

**STEP 16:** To the left side of the burner port, place log 1 with the curved end close to touching the back panel of the fireplace.



Figure 13.t

**STEP 17:** Place log D resting on the curve of log A to the left of the burner.

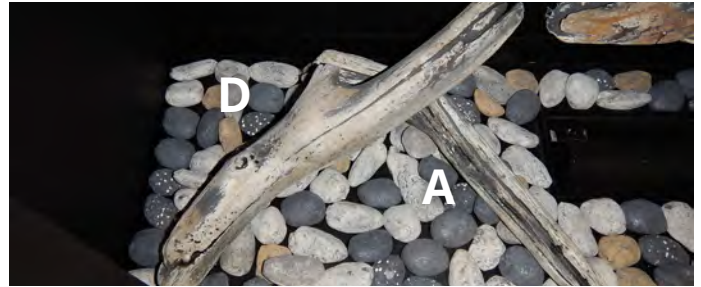


Figure 13.u

**STEP 18:** Place log C parallel to the burner in between log A and E.



Figure 13.v

**STEP 19:** Place the final log 6 resting on the end of log 4 to the left of the burner, as seen in figure 13w.



Figure 13.w

## FOR YOUR SAFETY - READ BEFORE LIGHTING :

**DANGER**

**HOT GLASS WILL CAUSE BURNS.**

**DO NOT TOUCH GLASS UNTIL COOLED.**

**NEVER ALLOW CHILDREN TO TOUCH GLASS.**

A barrier designed to reduce the risk of burns from the hot viewing glass is provided with this appliance and shall be installed for the protection of children and other at-risk individuals.

**WARNING** If the information in these instructions are not followed exactly, a fire or explosion may result causing property damage, personal injury or death.

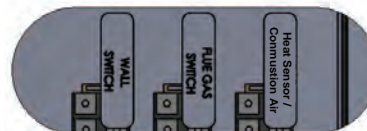
**WARNING / CAUTION: Hot while in operation. Do not touch. Severe burns may result. Keep children, clothing, furniture, gasoline and other liquids having flammable vapors away.**

**See installation and operating instructions accompanying this appliance.**

- |  |  |
|--|--|
| <p>A. This appliance has a pilot which is lit automatically. Do not attempt to light the pilot by hand.</p> <p>B. BEFORE LIGHTING smell all around the appliance area for gas. Be sure to smell next to the floor because some gas is heavier than air and will settle on the floor.</p> <p>What To Do If You Smell Gas:</p> <ul style="list-style-type: none"> <li>■ Do not try to light the appliance.</li> <li>■ Do not touch any electrical switch. Do not use any phone in your building.</li> <li>■ Immediately call your gas supplier from a neighbour's phone. Follow the gas suppliers instructions.</li> </ul> | <ul style="list-style-type: none"> <li>■ If you cannot reach your gas supplier, call the Fire Department.</li> </ul> <p>C. Use only your hand to push in or turn the gas control knob. Never use tools. If the knob will not push in or turn by hand, don't try to repair it. Call a qualified service technician. Force or attempt to repair may result in a fire or explosion.</p> <p>D. Do not use this appliance if any part has been under water. Immediately call a qualified service technician to inspect the appliance and to replace any part of the control system, and any gas control which has been under water.</p> |
|--|--|

### LIGHTING INSTRUCTIONS:

- |  |   |
|--|---|
| <ol style="list-style-type: none"> <li>1. STOP! Read the safety information above on this label.</li> <li>2. Turn the fireplace "OFF" using the wall switch or remote control.</li> <li>3. Wait 5 minutes to clear out any gas. If you smell gas, STOP! Follow "B" in the safety information above on this label. If you don't smell gas, go to the next step.</li> <li>4. Turn the fireplace "ON" using the wall switch or remote control.</li> </ol> <p>NOTE: This unit is equipped with an ignition system that lights the pilot burner automatically. Do not attempt to light the pilot by hand.</p> <p>This unit is equipped with advanced safety controls including pre and post purge timers. The fireplace will not turn on until all of the safety conditions are met. The fans in the fireplace may operate for an extended period of time even after the wall switch is turned off.</p> | <ol style="list-style-type: none"> <li>5. The wall switch LED and heat sensor/combustion air LED will light up.</li> <li>6. Once the predetermined airflow is established in the firebox, the flue gas switch LED will light up after 30 seconds.</li> <li>7. After approximately 1 minute the hot surface igniter will start to glow. The pilot will light up, followed by the main burner. The fireplace will then start up.</li> </ol> <p>NOTE: If the igniter does not glow, even after 3 minutes have passed, follow the instructions "To Turn Off Gas To Appliance" and call your service technician or Montigo dealer.</p> |
|--|---|



Control box LED lights

### TO TURN OFF GAS TO APPLIANCE:

- |  |  |
|--|--|
| <ol style="list-style-type: none"> <li>1. Turn the fireplace off using the wall switch or remote control.</li> <li>2. Turn off all electrical power to the appliance.</li> </ol> | <ol style="list-style-type: none"> <li>3. Locate the gas shut off valve for the appliance and turn off.</li> </ol> |
|--|--|

P/N LB1174-12614

## Section 10: Cleaning and Maintenance

### General

- Have the fireplace and installation inspected yearly. The inspection must include, but is not limited to, the following:
  - A visual check of the entire vent system and termination, where accessible.
  - An inspection of the explosion relief flappers and the door gaskets to ensure a proper seal.
  - An inspection of the burner, vent run, and primary air openings.
  - An inspection of the gas valve, gas components, and pilot flame. For your convenience a 1/8" manifold pressure tap is supplied on the gas valve for a test gauge connection.
  - Inspection of all optional equipment; fans, thermostats, remote control lights, etc.
- For Natural Gas this appliance requires a minimum inlet pressure of 5.5" W.C. and a manifold pressure of 3.5" W.C.
- For Propane Gas this appliance requires a minimum inlet pressure of 11" W.C. and a manifold pressure of 10" W.C.
- Always keep the fireplace area clear and free of combustibile materials, as well as gasoline and other flammable vapors and liquids.
- Do not use this appliance if any part has been under water. Immediately call a qualified service technician to inspect the appliance and to replace any part of the control system and any gas control which has been under water.
- Inspection of glass doors and screen for damage and proper installation.

### Cleaning

When the fireplace is first activated, there may be some smoke and a visible film may be left on the glass. This is a normal condition, and is the result of burning of protective coatings on new metal.

- Glass must be cleaned periodically to remove any film (which is a normal by-product of combustion) which may be visible. Film can easily be removed by removing the door. Handle the door carefully, and clean it with non-abrasive, non-ammonia based glass cleaners. One of the most effective products is Kel-Kem.
- During the initial firing, Silicone seals will "off gas", leaving a visual deposit of a white substance on combustion chamber walls. This can easily be removed using normal household products.
- Use a vacuum cleaner or whisk broom to keep the control compartment, burner, and firebox free from dust and lint.

### NOTICE

Do not use ammonia or abrasive cleaners on the glass, they will permanently etch the surface. Use an approved gas fireplace cleaner such as Kel-Kem or White off.

### Procedure for Checking Calibration of Flue Gas Switch

1. Disconnect power vent harness from the plug in the control box.
2. Turn wall switch 'ON'.
3. Monitor flue gas switch LED for 2 minutes and ensure LED does not come on or the glow plug will not light during this period.
4. Reconnect power vent harness to plug in the control box.

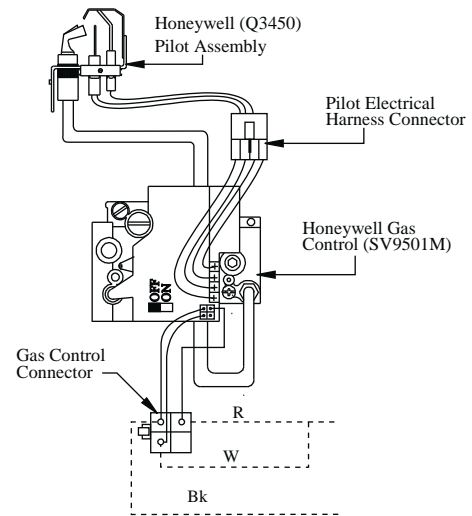


Figure 14. Gas valve

### Annual inspection list for determining safe operation of a direct vent decorative gas appliance

- 1) Inspect and operate the pressure relief mechanism to verify relief mechanisms are free from obstruction to operate.
- 2) Clean glass window with a suitable fireplace glass cleaner. Abrasive cleaners must not be used. Be careful not to scratch the glass when cleaning.
- 3) inspect the operation of the flame safety system Pilot or Flame rectification device.
- 4) Inspect and ensure the lighting of the main burner occurs within 4 seconds of the main gas valve opening. Visual inspection should match that outlined in the appliance instruction manual. Inspect primary air openings for blockage.
- 5) Inspect condition of vent and vent terminal for sooting or obstruction and correct if present.
- 6) Vacuum and clean any debris in the firebox that is not supposed to be there.
- 7) Test and measure the flame failure response time of the flame safety system. It must de-energize the safety shutoff in no more than 30 seconds.
- 8) Check all accessible gas-carrying tubes, connections, pipes and other components for leaks.



## Replacement Parts

---

### Replacement Parts List - Honeywell HSI

Part	R320	R420	R520	R720	R820
NG Gas Valve	RGC1004				
Propane Gas Valve	RGC1003				
NG Pilot Assembly	RPA003			RPA051	
Propane Pilot Assembly	RPA004			RPA052	
Power Vent Control Box	RESCB2				
Outer Glass	RGL1073	RGL1074	RGL1065	RGL1093	RGL1098
Replacement Screen	RSCR320	RSCR420	RSCR520	RSCR720	RSCR820
Fuse, AGC-5Amp	REC1122				

### Replacement Parts List - Control Board

Part	R320	R420	R520	R720	R820
Transformer 120V to 24VAC	EC1142				
Pre Purge Timer, 60 Seconds	REC1413				
Post Purge Timer, 180 Seconds	REC1035				
Rheostat (Fan Speed Control)	REC1109				

## Appendix A: Power Vent Locations

### PVEX510-300 Vertical Power Vent Detail

For installation instructions on this termination see instruction guide for the PVEX510-300.

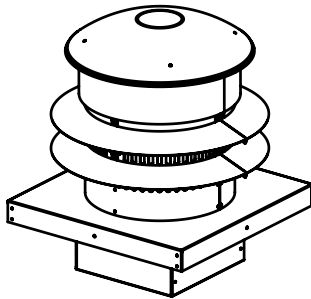


Figure 15. PVEX510-300

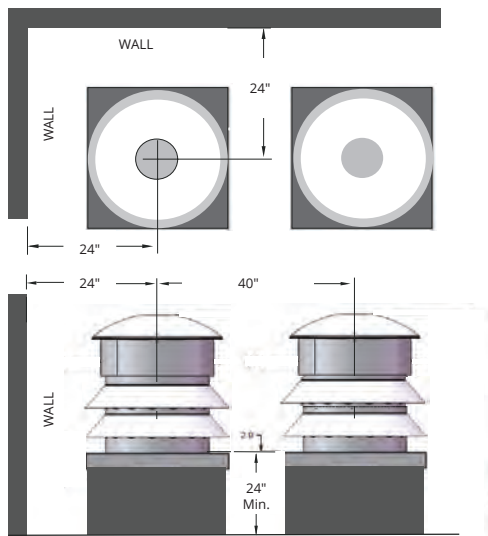


Figure 15.b PVEX510-300 clearances

### Unacceptable Install

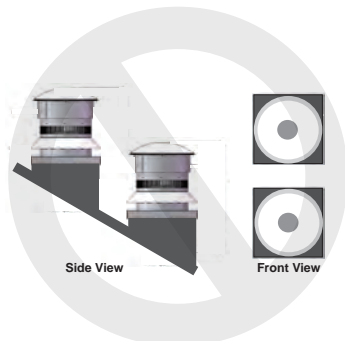


Figure 15.c PVEX510-300 restrictions

### PVHIN58-300 Inline Power Vent with TMHIN58-40 Detail

For installation instructions on this power vent and termination see instruction guide for the PVHIN58-300 with TMHIN58-40.

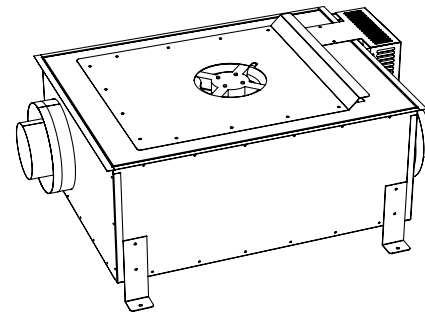
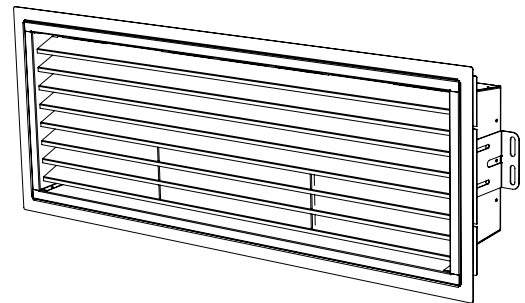


Figure 15.d PVHIN58-300 Inline power vent with TMHIN58-40 Termination (with vanity ring)

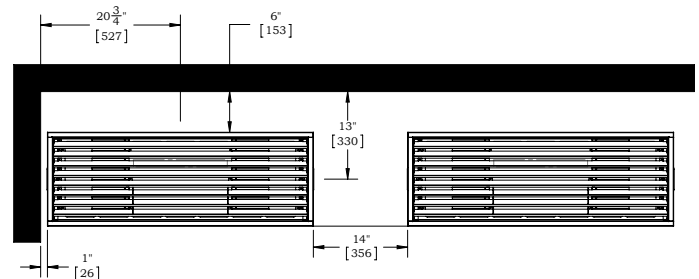
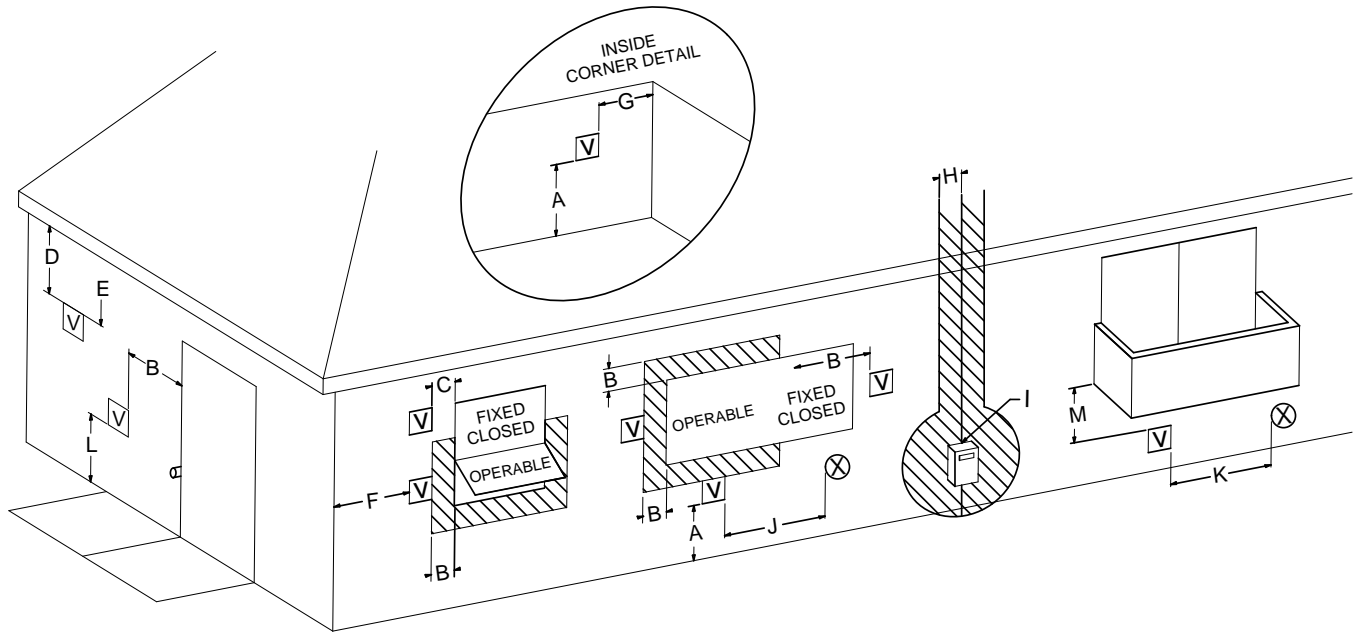


Figure 15.e TMHIN58-40 Termination Clearances (without vanity ring)

**NOTE:** There is enough clearance in the above clearances drawing to allow for a vanity ring to be added on at a later time.

## PVVEX510-300 Power Vent Locations



☐ VENTER TERMINAL

⊗ AIR SUPPLY INLET

▨ AREA WHERE TERMINAL IS NOT PERMITTED

	Canadian Installations <sup>1</sup>	US Installations <sup>2</sup>
A= Clearance above grade, veranda, porch, deck, or balcony	12 in (30 cm)	12 in (30 cm)
B= Clearance to window or door that may be opened	6 in (15 cm) for appliances ≤ 10,000 Btuh (3 kW), 12 in (30 cm) for appliances > 10,000 Btuh (3 kW) and ≤ 100,000 Btuh (30 kW), 36 in (91 cm) for appliances > 100,000 Btuh (30 kW)	6 in (15 cm) for appliances ≤ 10,000 Btuh (3 kW), 9 in (23 cm) for appliances > 10,000 Btuh (3 kW) and < 50,000 Btuh (15 kW), 12 in (30 cm) for appliances ≥ 50,000 Btuh (15 kW)
C= Clearance to permanently closed window	<b>B</b>	<b>B</b>
D= Vertical clearance to ventilated soffit located above the terminal within a horizontal distance of 2 feet (61 cm) from the center line of the terminal	N/A	N/A
E= Clearance to unventilated soffit	*	*
F= Clearance to outside corner	*	*
G= Clearance to inside corner	*	*
H= Clearance to each side of center line extended above meter/regulator assembly	3 ft (91 cm) within a height 15 ft. (4.5 m) above the meter/regulator assembly	*
I= Clearance to service regulator vent outlet	3 ft (91 cm)	*

	Canadian Installations <sup>1</sup>	US Installations <sup>2</sup>
J= Clearance to nonmechanical air supply inlet to building or the combustion air inlet to any other appliance	6in (15 cm) for appliances ≤ 10,000 Btuh (3 kW), 12 in (30 cm) for appliances > 10,000 Btuh (3 kW) and ≤ 100,000 Btuh (30 kW), 36 in (91 cm) for appliances > 100,000 Btuh (30 kW)	6in (15 cm) for appliances ≤ 10,000 Btuh (3 kW), 9 in (23 cm) for appliances > 10,000 Btuh (3 kW) and ≤ 50,000 Btuh (15 kW), 12 in (30 cm) for appliances > 50,000 Btuh (15 kW)
K= Clearance to a mechanical air supply inlet	6 ft (1.83 m)	3 ft (91 cm) above if within 10 ft (3 m) horizontally
L= Clearance above paved sidewalk or paved driveway located on public property	7 ft (2.13 m) †	*
M= Clearance under veranda porch deck, or balcony	12 in (30 cm) ‡	*

<sup>1</sup> In accordance with the current CSA B149.1, Natural Gas and Propane Installation Code

<sup>2</sup> In accordance with the current ANSI Z223.1/NFPA 54, National Fuel Gas Code

† A vent shall not terminate directly above a sidewalk or paved driveway that is located between two single family dwellings and serves both dwellings.

‡ Permitted only if veranda, porch, deck, or balcony is fully open on a minimum of two sides beneath the floor.

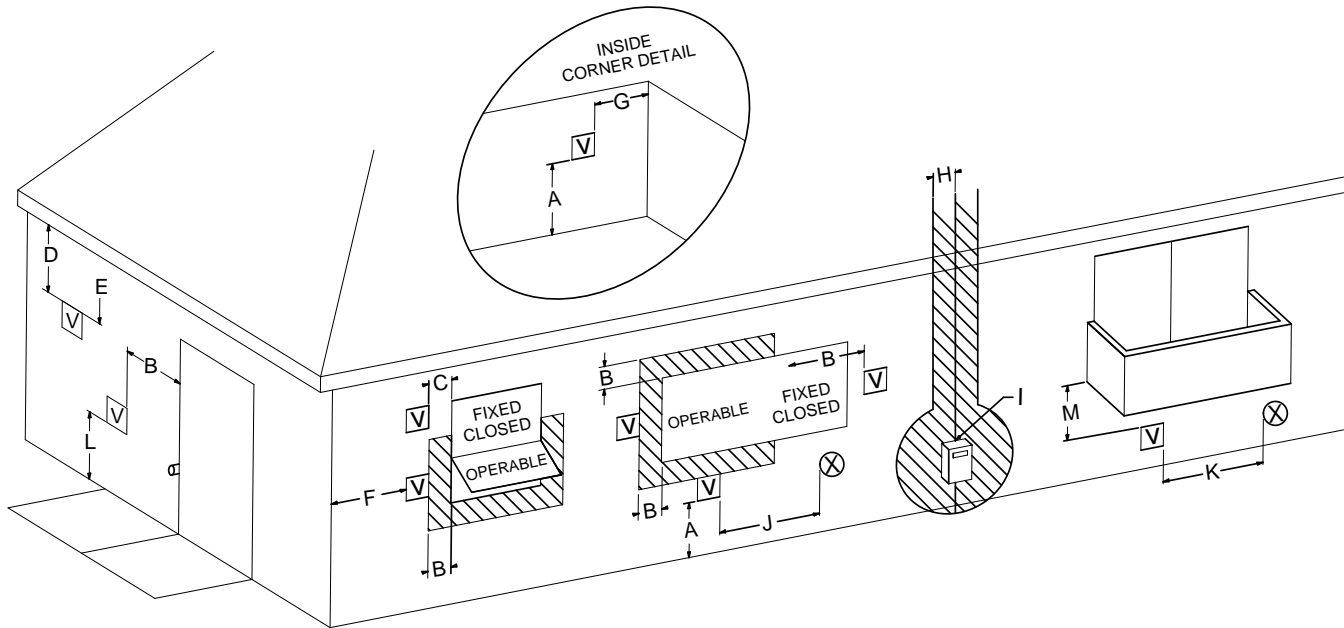
\* For clearances not specified in ANSI Z223.1/NFPA or CSA B149.1, one of the following shall be indicated

a) A minimum clearance value determined by testing in accordance with section 2.23.5, or;

b) A reference to the following footnote:

"Clearance in accordance with local installation codes and the requirements of the gas supplier"

## PVHIN58-300 Inline Power Vent with TMHIN58-40 Termination Locations



☐ VENTER TERMINAL

⊗ AIR SUPPLY INLET

▨ AREA WHERE TERMINAL IS NOT PERMITTED

	Canadian Installations <sup>1</sup>	US Installations <sup>2</sup>
A= Clearance above grade, veranda, porch, deck, or balcony	12 in (30 cm)	12 in (30 cm)
B= Clearance to window or door that may be opened	6 in (15 cm) for appliances ≤ 10,000 Btuh (3 kW), 12 in (30 cm) for appliances > 10,000 Btuh (3 kW) and ≤ 100,000 Btuh (30 kW), 36 in (91 cm) for appliances > 100,000 Btuh (30 kW)	6 in (15 cm) for appliances ≤ 10,000 Btuh (3 kW), 9 in (23 cm) for appliances > 10,000 Btuh (3 kW) and < 50,000 Btuh (15 kW), 12 in (30 cm) for appliances ≥ 50,000 Btuh (15 kW)
C= Clearance to permanently closed window	<b>B</b>	<b>B</b>
D= Vertical clearance to ventilated soffit located above the terminal within a horizontal distance of 2 feet (61 cm) from the center line of the terminal	6 in (38 cm)	6 in (38 cm)
E= Clearance to unventilated soffit	6 in (38 cm)	6 in (38 cm)
F= Clearance to outside corner	* (15 cm)	* (15 cm)
G= Clearance to inside corner	0 in (38 cm)	0 in (38cm)
H= Clearance to each side of center line extended above meter/regulator assembly	3 ft (91 cm) within a height 15 ft. (4.5 m) above the meter/regulator assembly	*
I= Clearance to service regulator vent outlet	3 ft (91 cm)	*

	Canadian Installations <sup>1</sup>	US Installations <sup>2</sup>
J= Clearance to nonmechanical air supply inlet to building or the combustion air inlet to any other appliance	6in (15 cm) for appliances ≤ 10,000 Btuh (3 kW), 12 in (30 cm) for appliances > 10,000 Btuh (3 kW) and ≤ 100,000 Btuh (30 kW), 36 in (91 cm) for appliances > 100,000 Btuh (30 kW)	6in (15 cm) for appliances ≤ 10,000 Btuh (3 kW), 9 in (23 cm) for appliances > 10,000 Btuh (3 kW) and ≤ 50,000 Btuh (15 kW), 12 in (30 cm) for appliances > 50,000 Btuh (15 kW)
K= Clearance to a mechanical air supply inlet	6 ft (1.83 m)	3 ft (91 cm) above if within 10 ft (3 m) horizontally
L= Clearance above paved sidewalk or paved driveway located on public property	7 ft (2.13 m) †	*
M= Clearance under veranda porch deck, or balcony	12 in (30 cm) ‡	*

<sup>1</sup> In accordance with the current CSA B149.1, Natural Gas and Propane Installation Code  
<sup>2</sup> In accordance with the current ANSI Z223.1/NFPA 54, National Fuel Gas Code  
 † A vent shall not terminate directly above a sidewalk or paved driveway that is located between two single family dwellings and serves both dwellings.  
 ‡ Permitted only if veranda, porch, deck, or balcony is fully open on a minimum of two sides beneath the floor.  
 \* For clearances not specified in ANSI Z223.1/NFPA or CSA B149.1, one of the following shall be indicated  
 a) A minimum clearance value determined by testing in accordance with section 2.23.5, or;  
 b) A reference to the following footnote:  
 "Clearance in accordance with local installation codes and the requirements of the gas supplier"

## PVHEX510-300 Horizontal Power Vent Detail

For installation instructions on this termination see instruction guide for the PVHEX510-300.

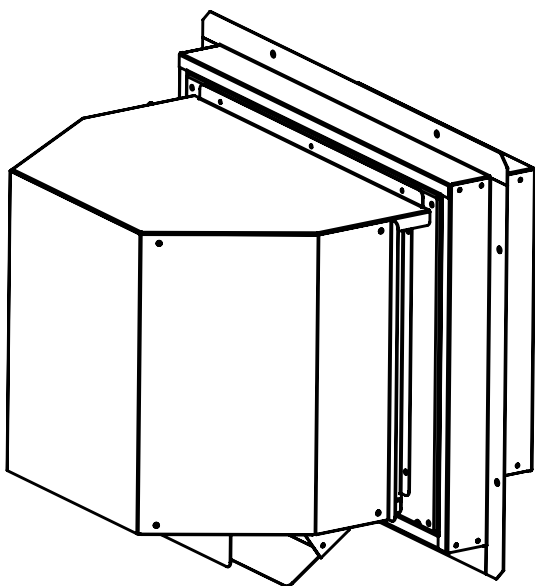


Figure 16. PVHEX510-300

## PVHFL510-300 Horizontal Power Vent Detail

For installation instructions on this termination see instruction guide for the PVHFL510-300

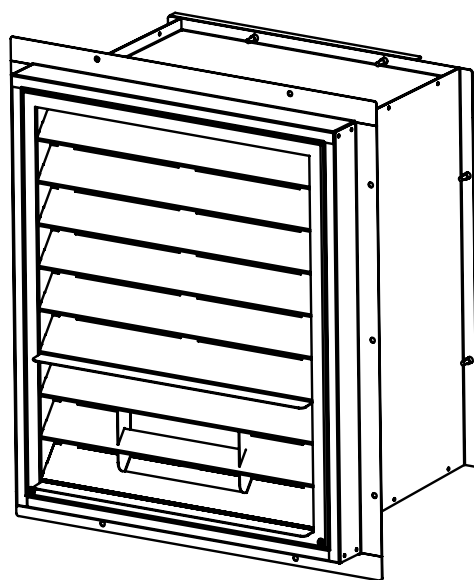


Figure 16.c PVHFL510-300

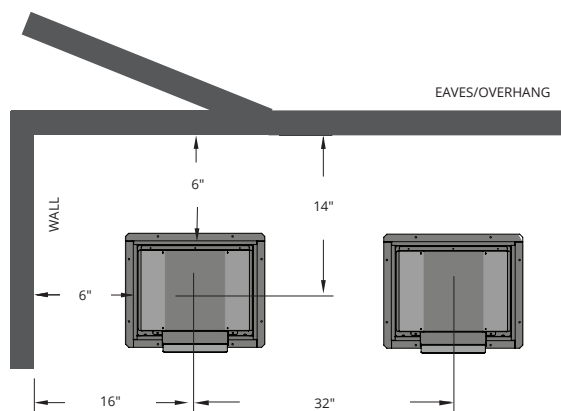


Figure 16.b PVHEX510-300 Termination Clearances

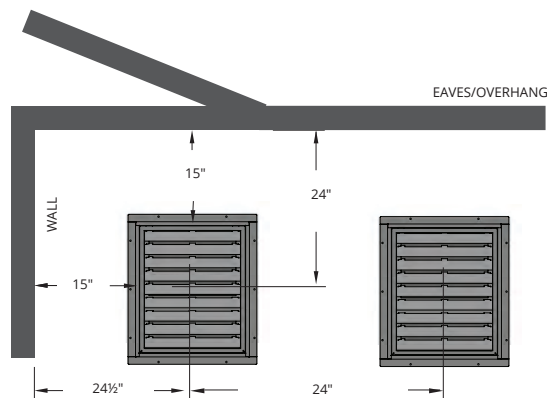
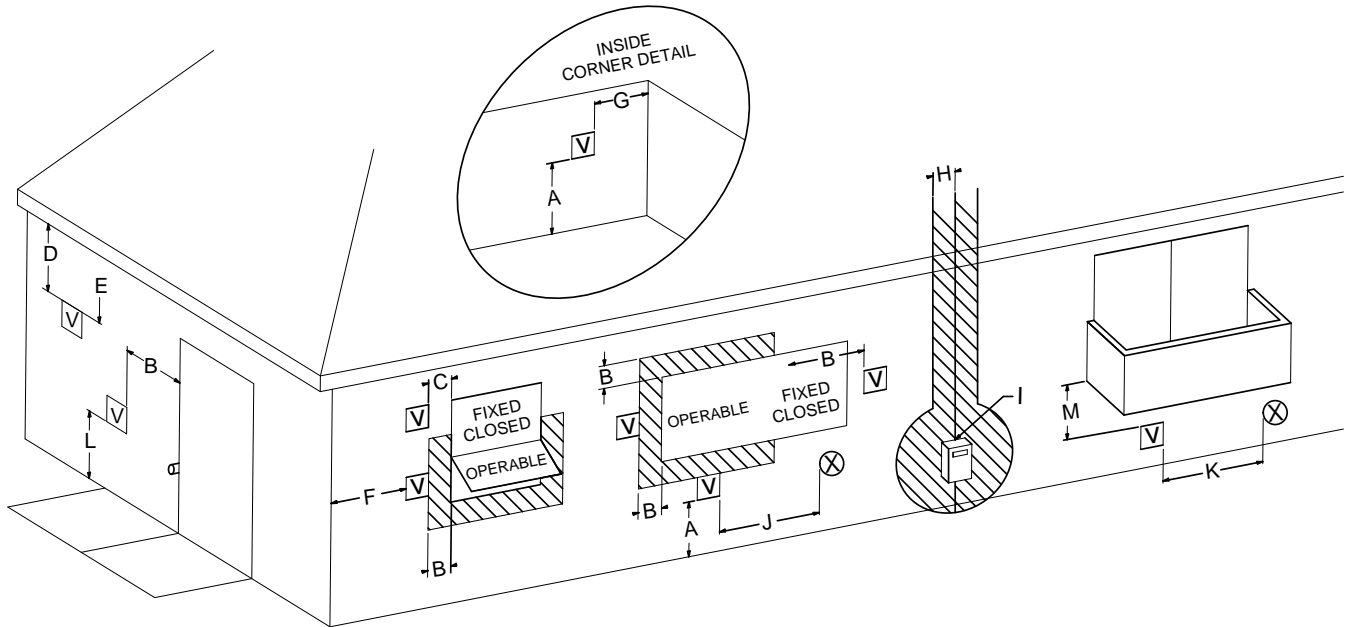


Figure 16.d PVHFL510-300 Termination Clearances

## PVHEX510-300 Power Vent Locations



☐ VENTER TERMINAL

⊗ AIR SUPPLY INLET

▨ AREA WHERE TERMINAL IS NOT PERMITTED

	Canadian Installations <sup>1</sup>	US Installations <sup>2</sup>
A= Clearance above grade, veranda, porch, deck, or balcony	12 in (30 cm)	12 in (30 cm)
B= Clearance to window or door that may be opened	6 in (15 cm) for appliances ≤ 10,000 Btuh (3 kW), 12 in (30 cm) for appliances > 10,000 Btuh (3 kW) and ≤ 100,000 Btuh (30 kW), 36 in (91 cm) for appliances > 100,000 Btuh (30 kW)	6 in (15 cm) for appliances ≤ 10,000 Btuh (3 kW), 9 in (23 cm) for appliances > 10,000 Btuh (3 kW) and < 50,000 Btuh (15 kW), 12 in (30 cm) for appliances ≥ 50,000 Btuh (15 kW)
C= Clearance to permanently closed window	<b>B</b>	<b>B</b>
D= Vertical clearance to ventilated soffit located above the terminal within a horizontal distance of 2 feet (61 cm) from the center line of the terminal	6 in (15 cm)	6 in (15 cm)
E= Clearance to unventilated soffit	6 in (15 cm)	6 in (15 cm)
F= Clearance to outside corner	*	*
G= Clearance to inside corner	6 in (15 cm)	6 in (15 cm)
H= Clearance to each side of center line extended above meter/regulator assembly	3 ft (91 cm) within a height 15 ft. (4.5 m) above the meter/regulator assembly	.
I= Clearance to service regulator vent outlet	3 ft (91 cm)	.

	Canadian Installations <sup>1</sup>	US Installations <sup>2</sup>
J= Clearance to nonmechanical air supply inlet to building or the combustion air inlet to any other appliance	6 in (15 cm) for appliances ≤ 10,000 Btuh (3 kW), 12 in (30 cm) for appliances > 10,000 Btuh (3 kW) and ≤ 100,000 Btuh (30 kW), 36 in (91 cm) for appliances > 100,000 Btuh (30 kW)	6 in (15 cm) for appliances ≤ 10,000 Btuh (3 kW), 9 in (23 cm) for appliances > 10,000 Btuh (3 kW) and ≤ 50,000 Btuh (15 kW), 12 in (30 cm) for appliances > 50,000 Btuh (15 kW)
K= Clearance to a mechanical air supply inlet	6 ft (1.83 m)	3 ft (91 cm) above if within 10 ft (3 m) horizontally
L= Clearance above paved sidewalk or paved driveway located on public property	7 ft (2.13 m) †	*
M= Clearance under veranda porch deck, or balcony	12 in (30 cm) ‡	*

<sup>1</sup> In accordance with the current CSA B149.1, Natural Gas and Propane Installation Code

<sup>2</sup> In accordance with the current ANSI Z223.1/NFPA 54, National Fuel Gas Code

† A vent shall not terminate directly above a sidewalk or paved driveway that is located between two single family dwellings and serves both dwellings.

‡ Permitted only if veranda, porch, deck, or balcony is fully open on a minimum of two sides beneath the floor.

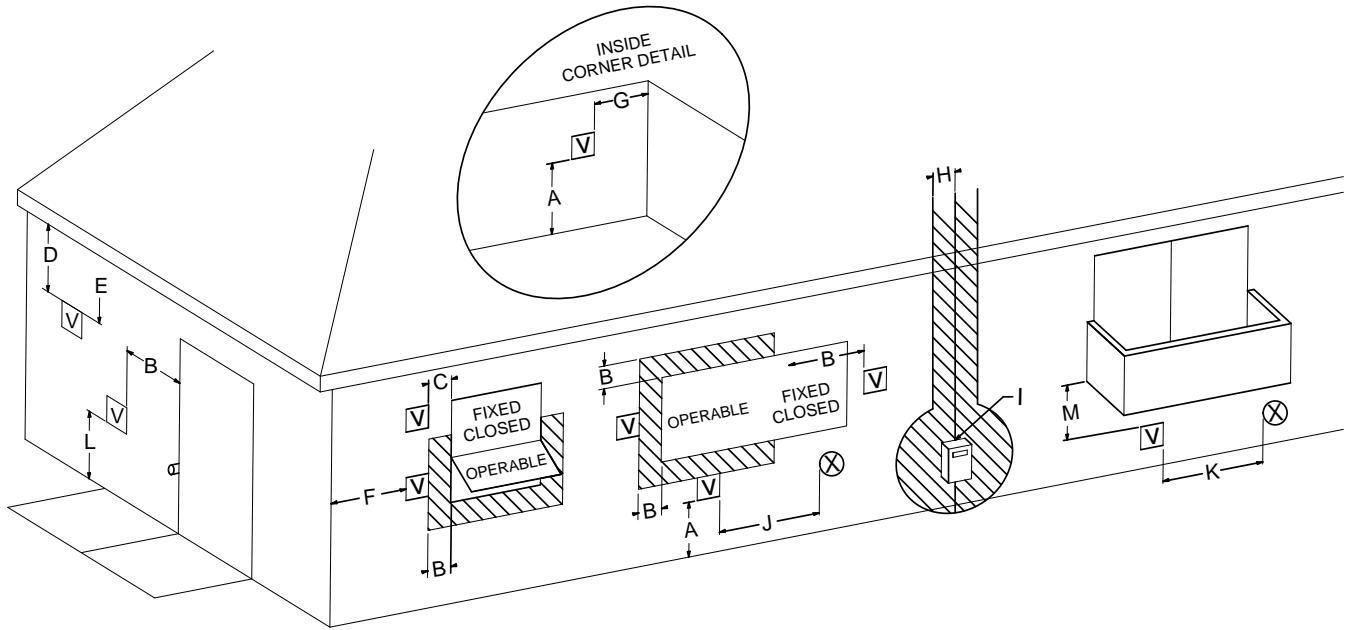
\* For clearances not specified in ANSI Z223.1/NFPA or CSA B149.1, one of the following shall be indicated

a) A minimum clearance value determined by testing in accordance with section 2.23.5, or;

b) A reference to the following footnote:

"Clearance in accordance with local installation codes and the requirements of the gas supplier"

## PVHFL510-300 Power Vent Locations



☐ VENTER TERMINAL

⊗ AIR SUPPLY INLET

▨ AREA WHERE TERMINAL IS NOT PERMITTED

	Canadian Installations <sup>1</sup>	US Installations <sup>2</sup>
A= Clearance above grade, veranda, porch, deck, or balcony	12 in (30 cm)	12 in (30 cm)
B= Clearance to window or door that may be opened	6 in (15 cm) for appliances ≤ 10,000 Btuh (3 kW), 12 in (30 cm) for appliances > 10,000 Btuh (3 kW) and ≤ 100,000 Btuh (30 kW), 36 in (91 cm) for appliances > 100,000 Btuh (30 kW)	6 in (15 cm) for appliances ≤ 10,000 Btuh (3 kW), 9 in (23 cm) for appliances > 10,000 Btuh (3 kW) and < 50,000 Btuh (15 kW), 12 in (30 cm) for appliances ≥ 50,000 Btuh (15 kW)
C= Clearance to permanently closed window	<b>B</b>	<b>B</b>
D= Vertical clearance to ventilated soffit located above the terminal within a horizontal distance of 2 feet (61 cm) from the center line of the terminal	15 in (38 cm)	15 in (38 cm)
E= Clearance to unventilated soffit	15 in (38 cm)	15 in (38 cm)
F= Clearance to outside corner	*	*
G= Clearance to inside corner	15 in (38 cm)	15 in (38 cm)
H= Clearance to each side of center line extended above meter/regulator	3 ft (91 cm) within a height 15 ft. (4.5 m) above the meter/regulator assembly	*
I= Clearance to service regulator vent outlet	3 ft (91 cm)	*

	Canadian Installations <sup>1</sup>	US Installations <sup>2</sup>
J= Clearance to nonmechanical air supply inlet to building or the combustion air inlet to any other appliance	6 in (15 cm) for appliances ≤ 10,000 Btuh (3 kW), 12 in (30 cm) for appliances > 10,000 Btuh (3 kW) and ≤ 100,000 Btuh (30 kW), 36 in (91 cm) for appliances > 100,000 Btuh (30 kW)	6 in (15 cm) for appliances ≤ 10,000 Btuh (3 kW), 9 in (23 cm) for appliances > 10,000 Btuh (3 kW) and ≤ 50,000 Btuh (15 kW), 12 in (30 cm) for appliances > 50,000 Btuh (15 kW)
K= Clearance to a mechanical air supply inlet	6 ft (1.83 m)	3 ft (91 cm) above if within 10 ft (3 m) horizontally
L= Clearance above paved sidewalk or paved driveway located on public property	7 ft (2.13 m) †	*
M= Clearance under veranda porch deck, or balcony	12 in (30 cm) ‡	*

<sup>1</sup> In accordance with the current CSA B149.1, Natural Gas and Propane Installation Code  
<sup>2</sup> In accordance with the current ANSI Z223.1/NFPA 54, National Fuel Gas Code  
 † A vent shall not terminate directly above a sidewalk or paved driveway that is located between two single family dwellings and serves both dwellings.  
 ‡ Permitted only if veranda, porch, deck, or balcony is fully open on a minimum of two sides beneath the floor.  
 \* For clearances not specified in ANSI Z223.1/NFPA or CSA B149.1, one of the following shall be indicated  
 a) A minimum clearance value determined by testing in accordance with section 2.23.5, or;  
 b) A reference to the following footnote:  
 "Clearance in accordance with local installation codes and the requirements of the gas supplier"

## Appendix B: Warranty

### MONTIGO RESIDENTIAL WARRANTY PROGRAM

Canadian Heating Products Inc. and/or Montigo DelRay Corp (collectively referred to herein as "The Companies"), warrants the Montigo gas appliance (referred to herein as 'the appliance') to be free from defects in materials and workmanship at the time of manufacture. The gas appliance and related components are further subject to the terms and conditions set forth below.

**This warranty covers the following Montigo product series: Distinction, H, I, L, Linear P and PL, R and Mahana**

Component	Coverage Period	Labor Coverage
Firebox, heat exchanger	15 years	1 year
Main burner	15 years	1 year
Gas control valve and related control components (pilot assembly, spark electrode flame sensors, thermopile)	1 year	1 year
Electrical components (internal blowers, ignition control module, wiring, switches, remote control systems, blower control module, accent bulbs)	1 year	1 year
Firebox media (logset, glass beads, river rocks)	1 year	1 year
Glass (thermal breakage)	1 year	1 year
Plated, painted finishes (including interior reflective glass)	1 year	1 year
Refractory lining	1 year	1 year
Mesh/Glass safety barriers	1 year	1 year
Power Vent Control box	1 year	1 year
Montigo Venting (excluding terminations)	15 years	1 year

### QUALIFICATIONS TO THE WARRANTY

This Warranty only covers gas appliances installed in the United States or Canada.

To receive the benefits of this warranty, the appliance must be purchased, installed and serviced annually by a dealer authorized by the Companies for the warranty to be valid.

The gas appliance must be installed by a licensed professional in accordance with The Companies' installation instructions and local building codes. The warranty on the appliance covers only components manufactured by The Companies. The use of components manufactured or supplied by other manufactures and used in conjunction with the appliance could create serious safety hazards, may result in the denial of certification by recognized national safety agencies and could violate local building codes. Such use may untimely void this warranty. This warranty does not cover any damages occurring from the use of any components not manufactured or supplied by The Companies.

The appliance must be subjected to normal use. The appliance is designed to burn natural gas (NG) or liquefied petroleum (LP) only. Burning conventional fireplace fuels such as wood, coal or any other solid fuel will cause damage to the appliance, produce excessive temperatures will result in a fire hazard and void all warranties. This warranty is transferable. The appliance must remain in its original place of installation to be valid.

If the components of the appliance covered by this warranty are found to be defective within the time frame stated (see The Companies investigation of claims), the companies will, at its option, replace or repair defective components of the appliance manufactured by the company at no charge and will also pay for labor costs (in accordance with schedule) incurred in replacing or repairing components. If repair or replacement is not commercially practical, the companies will, at its sole discretion, provide a current or most like unit, excluding the cost of labor unless the labor is covered by the terms of the warranty.

This warranty covers only parts and labor as provided above. In no case shall the companies be responsible for materials, components or construction. All replacement or repair components will be shipped F.O.B. from the nearest Company factory.

### LIMITATION ON LIABILITY

It is agreed and understood that The Companies sole obligation, and purchaser's exclusive remedy under this warranty, under any other warranty, expressed or implied, or in contract, tort or otherwise, shall be limited to repair or replacement as specified above. The opinion of The Companies with respect to these matters shall be final.

In no event shall The Companies be responsible for any incidental or consequential damages caused by (but not limited to) improper installation, installation by an unqualified or unauthorized installer, accident, lack of regular maintenance, user error, abuse, misuse, Acts of God, power surges, floods, natural disasters, force majeure, defects in its appliance whether such damage occurs or is discovered before or after replacement or repair, and whether or not such damage is caused by The Companies negligence. Some jurisdictions do not allow the exclusion or limitation of incidental or consequential damages, so the above limitation or exclusion may not apply to you. The duration of any implied warranty with respect to the appliance is limited to the duration of the foregoing warranty. Some jurisdictions do not allow limitations on how long an implied warranty lasts, so the above limitation or exclusion may not apply to you.



## Appendix B: Warranty Continued

### EXCLUSIONS TO WARRANTY

Corrosion or rust of any kind due to a lack of maintenance, inadequate combustion air or improper venting and corrosive chemicals/environments, expansion and contraction of metals or minor movements of components causing noise are not covered by this warranty.

Willful misconduct (i.e. use of the appliance with problems known to the purchaser and causing further damages), including unauthorized or self-performed 'fixing' or exploration of the appliance's internal workings will void the warranty.

Appliances on which the serial number has been altered, defaced, removed or made illegible will void the warranty.

Costs incurred for diagnosis, service work, shipping and handling of defective or replacement parts are not covered under this warranty.

The published warranties are not applicable for any equipment manufactured by The Companies that has been sold direct to the consumer via internet or auction websites. The Companies do not endorse, approve or certify any online sale of its products through auction websites, online retailers or any other method of online sales direct to consumers.

### INVESTIGATION OF CLAIMS AGAINST WARRANTY

The Companies reserve the right to investigate any and all claims against this warranty and decide upon method of settlement.

The Companies are not responsible for work done without written consent of The Companies.

The Companies shall in no event be responsible for any warranty work done without first obtaining the Companies written consent.

The Companies employees and dealers have no authority to make any warranties to neither alter this warranty nor authorize any remedies in addition to or inconsistent with those stated within this warranty.

### IF WARRANTY SERVICE IS NEEDED

To make a claim under this warranty, contact your installing dealer or contractor. The installing dealer is responsible for providing service and will contact the companies to initiate warranted parts replacements. In the event the installing dealer is unavailable, contact your nearest authorized Montigo dealer ([www.Montigo.com](http://www.Montigo.com)) or contact Montigo direct at [techsupport@montigo.com](mailto:techsupport@montigo.com). Ensure you have your sales receipt and the model and serial number of your appliance.

### DO NOT ATTEMPT TO DO ANY SERVICE WORK YOURSELF

If you cannot locate the installing dealer, or nearest dealer/distributor, you must notify The Companies in writing, colors, styles and products.

### USA Offices

6955 Salashan Parkway  
Ferndale WA, 98248  
[techsupport@montigo.com](mailto:techsupport@montigo.com)

### Canadian Offices

27342 Gloucester Way  
Langley, BC V4W 4A1  
[techsupport@montigo.com](mailto:techsupport@montigo.com)

The terms and conditions of this warranty may be altered or amended from time to time without prior notice.

**WARRANTY PERIOD:** Warranty coverage begins on the date of original purchase. In the case of new construction, warranty coverage begins on the date of first occupancy of the dwelling or six months after the sale of the product by an independent, authorized Company dealer/ distributor, whichever occurs earlier.

## Appendix C: Amendment

### (Gas Fireplace / Equipment sold in the State of Massachusetts) 5.08: Modifications to NFPA-54, Chapter 10

- (1) Revise NFPA-54 section 10.5.4.2 by adding a second exception as follows:

Existing chimneys shall be permitted to have their use continued when a gas conversion burner is installed, and shall be equipped with a manually reset device that will automatically shut off the gas to the burner in the event of a sustained back-draft.

- (2) Revise 10.8.3 by adding the following additional requirements:

- (a) For all side wall horizontally vented gas fueled equipment installed in every dwelling, building or structure used in whole or in part for residential purposes, including those owned or operated by the Commonwealth and where the side wall exhaust vent termination is less than seven (7) feet above finished grade in the area of the venting, including but not limited to decks and porches, the following requirements shall be satisfied:

1. **INSTALLATION OF CARBON MONOXIDE DETECTORS.** At the time of installation of the side wall horizontal vented gas fueled equipment, the installing plumber or gas fitter shall observe that a hard wired carbon monoxide detector with an alarm and battery back-up is installed on the floor level where the gas equipment is to be installed. In addition, the installing plumber or gas fitter shall observe that a battery operated or hard wired carbon monoxide detector with an alarm is installed on each additional level of the dwelling, building or structure served by the side wall horizontal vented gas fueled equipment. It shall be the responsibility of the property owner to secure the services of qualified licensed professionals for the installation of hard wired carbon monoxide detectors
  - a. In the event that the side wall horizontally vented gas fueled equipment is installed in a crawl space or an attic, the hard wired carbon monoxide detector with alarm and battery back-up may be installed on the next adjacent floor level.
  - b. In the event that the requirements of this subdivision can not be met at the time of completion of installation, the owner shall have a period of thirty (30) days to comply with the above requirements; provided, however, that during said thirty (30) day period, a battery operated carbon monoxide detector with an alarm shall be installed.
2. **APPROVED CARBON MONOXIDE DETECTORS.** Each carbon monoxide detector as required in accordance with the above provisions shall comply with NFPA 720 and be ANSI/UL 2042 listed and IAS certified.
3. **SIGNAGE.** A metal or plastic identification plate shall be permanently mounted to the exterior of the building at a minimum height of eight (8) feet above grade directly in line with the exhaust vent terminal for the horizontally vented gas fueled heating appliance or equipment. The sign shall read, in print size no less than one-half (1/2) inch in size, "GAS VENT DIRECTLY BELOW. KEEP CLEAR OF ALL OBSTRUCTIONS".

4. **INSPECTION.** The state or local gas inspector of the side wall horizontally vented gas fueled equipment shall not approve the installation unless, upon inspection, the inspector observes carbon monoxide detectors and signage installed in accordance with the provisions of 248 CMR 5.08(2)(a)1 through 4.

- (b) **EXEMPTIONS:** The following equipment is exempt from 248 CMR 5.08(2)(a)1 through 4:

1. The equipment listed in Chapter 10 entitled "Equipment Not Required To Be Vented" in the most current edition of NFPA 54 as adopted by the Board; and
  2. Product Approved side wall horizontally vented gas fueled equipment installed in a room or structure separate from the dwelling, building or structure used in whole or in part for residential purposes.
- (c) **MANUFACTURER REQUIREMENTS - GAS EQUIPMENT VENTING SYSTEM PROVIDED.** When the manufacturer of Product Approved side wall horizontally vented gas equipment provides a venting system design or venting system components with the equipment, the instructions provided by the manufacturer for installation of the equipment and the venting system shall include:
1. Detailed instructions for the installation of the venting system design or the venting system components; and
  2. A complete parts list for the venting system design or venting system.
- (d) **MANUFACTURER REQUIREMENTS - GAS EQUIPMENT VENTING SYSTEM NOT PROVIDED.** When the manufacturer of a Product Approved side wall horizontally vented gas fueled equipment does not provide the parts for venting the flue gases, but identifies "special venting systems", the following requirements shall be satisfied by the manufacturer:
1. The referenced "special venting system" instructions shall be included with the appliance or equipment installation instructions; and
  2. The "special venting systems" shall be Product Approved by the Board, and the instructions for that system shall include a parts list and detailed installation instructions.
- (e) A copy of all installation instructions for all Product Approved side wall horizontally vented gas fueled equipment, all venting instructions, all parts lists for venting instructions, and/or all venting design instructions shall remain with the appliance or equipment at the completion of the installation.
- (3) After NFPA-54 section 10.10.4.2 add a new section 10.10.4.3 as follows:
- When more than four gas appliances are to be vented through a common gas vent or common horizontal vent manifold, a plan of the proposed vent installation shall be submitted to the Inspector and the serving gas supplier for review and approval.

Extraction from: Massachusetts Rules and Regulations

5.00: Amendments To 2002 Edition Of ANSI Z223.1-NFPA-54



**R320, R420,  
R520, R720, R820,**  
Single Sided Gas Fireplace