

H Series multi sided



H38CLNI-2 Traditional Corner Left

MONTIGO[®]
the art of **fireplaces**

Add a new dimension of beauty to your home

Enjoy the expanded sense of space and the comfort of a unique modern fireplace. With hundreds of traditional and contemporary options to fit your style, the Montigo H Series is truly the most versatile suite in the industry

Versatility

With dozens of possible configurations, the H Series fireplace can become the centerpiece of any space.

Burner Technology

A flame viewing experience unlike any other. Multiple burner and burner media options are available to achieve that perfect ambience.

Our Guarantee

Rest assured our uncompromising quality and long-term reliability is backed by our limited 10-year warranty.





H42FSDNI See Through



H38PFNI-2 Peninsula



H138CRNI-2 Linear Corner Left



H38FSDNI See Through

Burner Media Accessories fireglass and firestones



White/Silver/Opaque HW1082



Ebony HW1091



Opal HW1106



Ivory HW1111



Frost HW1112



Diamond Glazier HW1219B



Star Ice HW1157



Platinum Ice HW1144



Black Ice HW1113



Copper Ice HW1143

See Through Linear Burner Conversion Kit

| Conversion Kit | Order Code |
|---------------------------------------|------------|
| H38ST Linear Burner Conversion Kit NG | RBHL38S17R |
| H38ST Linear Burner Conversion Kit LP | RBHL38S18R |
| H42ST Linear Burner Conversion Kit NG | RBHL42S17R |
| H42ST Linear Burner Conversion Kit LP | RBHL42S18R |

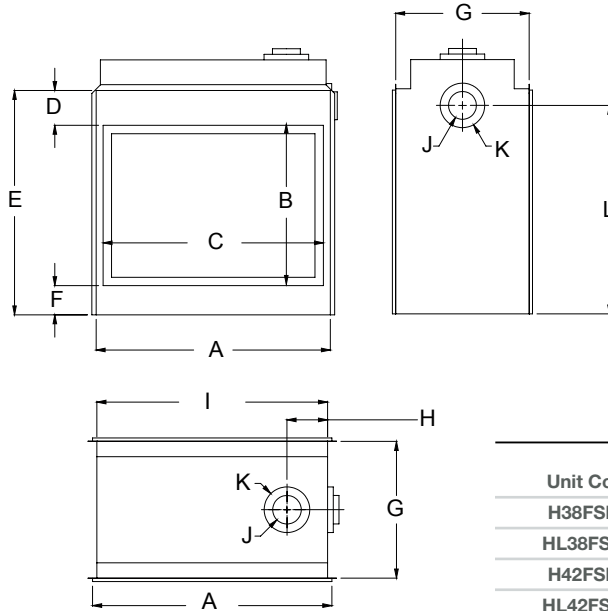


HL38FSDNI See Through with linear conversion kit

H Series See Through Specifications

Unit Dimensions

| Unit Dimensions | | | | | | | | | | | | |
|-----------------|--------------------|--------------------|--------------------|-------------------|--------------------|-------------------|-----|-------------------|--------------------|----|----|--------------------|
| | A | B | C | D | E | F | G | H | I | J | K | L |
| H38DF-ST | 37 $\frac{3}{4}$ " | 25" | 35 $\frac{1}{4}$ " | 6 $\frac{1}{4}$ " | 36 $\frac{1}{2}$ " | 5 $\frac{1}{4}$ " | 24" | 7 $\frac{1}{2}$ " | 36 $\frac{1}{4}$ " | 5" | 8" | 33 $\frac{1}{2}$ " |
| H42DF-ST | 42" | 28 $\frac{3}{4}$ " | 39 $\frac{1}{2}$ " | 6 $\frac{1}{4}$ " | 40 $\frac{1}{4}$ " | 5 $\frac{1}{4}$ " | 24" | 7 $\frac{1}{2}$ " | 40 $\frac{1}{2}$ " | 5" | 8" | 37 $\frac{1}{2}$ " |

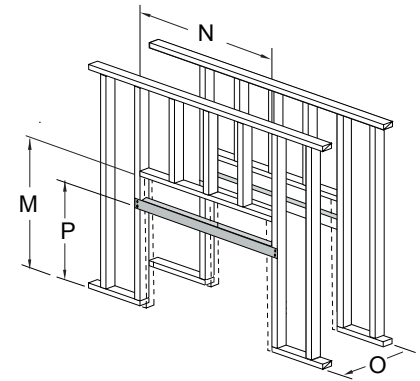


BTU Listing

| Unit Code | NG | LP |
|-----------|--------|--------|
| H38FSD** | 34,000 | 32,000 |
| HL38FSD** | 34,000 | 32,000 |
| H42FSD** | 37,000 | 37,000 |
| HL42FSD** | 37,000 | 37,000 |

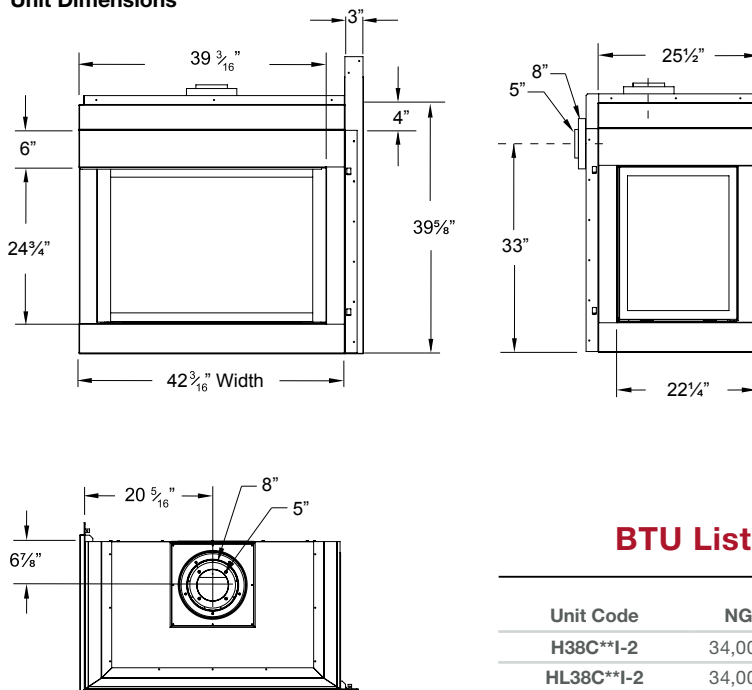
Framing Dimensions

| Framing Dimensions | | | | |
|--------------------|--------------------|--------------------|--------------------|--------------------|
| | M | N | O | P |
| H(L)38DF-ST | 42 $\frac{1}{2}$ " | 41 $\frac{1}{2}$ " | 23 $\frac{3}{4}$ " | N/A |
| H(L)42DF-ST | 49 $\frac{1}{2}$ " | 45" | 23 $\frac{3}{4}$ " | 46 $\frac{1}{2}$ " |



H Series Corner Left / Corner Right Specifications

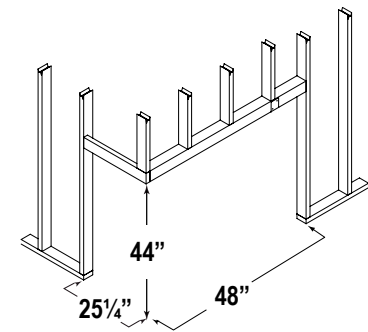
Unit Dimensions



BTU Listing

| Unit Code | NG | LP |
|------------|--------|--------|
| H38C**I-2 | 34,000 | 32,000 |
| HL38C**I-2 | 34,000 | 32,000 |

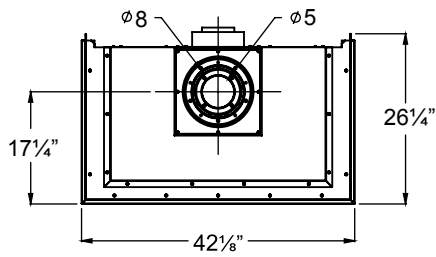
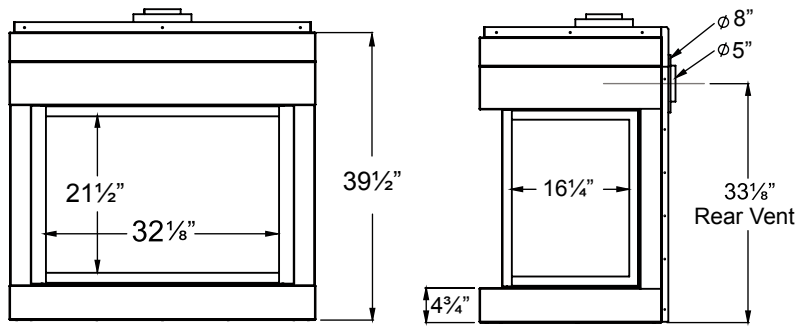
Framing Dimensions



Note: Dimensions shown for Corner Left Unit. Measurements are the same for Corner Right Unit.

H Series Panorama Specifications

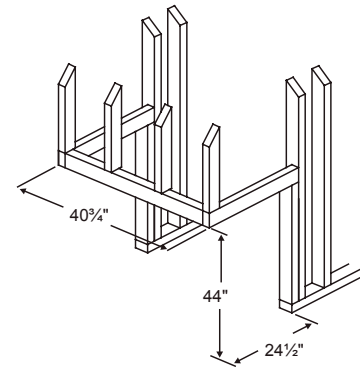
Unit Dimensions



BTU Listing

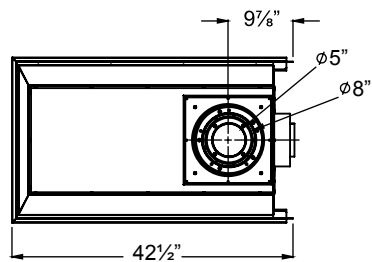
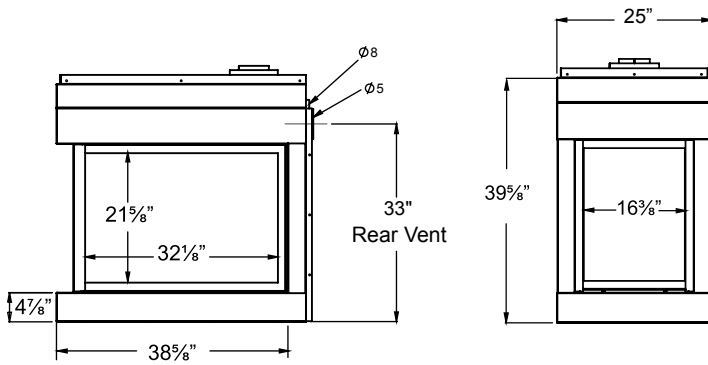
| Unit Code | NG | LP |
|------------|--------|--------|
| H38PR*I-2 | 34,000 | 32,000 |
| HL38PR*I-2 | 34,000 | 32,000 |

Framing Dimensions



H Series Peninsula Specifications

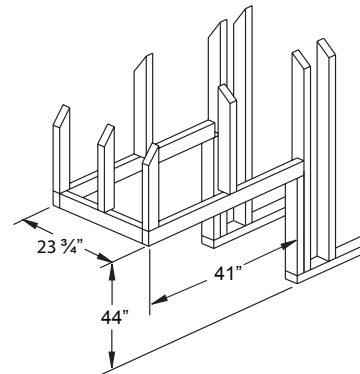
Unit Dimensions



BTU Listing

| Unit Code | NG | LP |
|------------|--------|--------|
| H38PF*I-2 | 34,000 | 32,000 |
| HL38PF*I-2 | 34,000 | 32,000 |

Framing Dimensions



H Series multi sided



H38PRNI-2 Panorama

Consult the owner's manual for complete installation instructions, product dimensions and proper clearances to combustible surfaces prior to installing fireplace. All specifications, framing dimensions, product designs, materials and colors are subject to change without notice. The actual flame pattern and color may vary slightly from the illustrations. Diagrams and illustrations are not to scale. Options & accessories may have associated surcharge.

Available at:

WARNING

Some materials used in the manufacturing process of this product can expose you to Benzene which is known in the State of California to cause cancer and birth defects or other reproductive harm. For more information go to www.P65warnings.ca.gov

ARCAT
Printed in Canada

MONTIGO
the art of fireplaces



P/N XB2215

050619