

P / PL Series



PL42DF with NG Flame
(shown with speckled stones and driftwood)

MONTIGO[®]
the art of **fireplaces**

Redefine Your Home Experience

Enjoy the expanded sense of space and the comfort of a unique modern fireplace. Montigo fireplaces offer the ultimate in fire and relaxation.

Versatility

Choose between top or rear convertible venting. A power vent option allows the fireplace to be placed anywhere in the home up to 100 ft. from an exterior wall.

Burner Technology

A flame viewing experience unlike any other. With a concealed ribbon burner, the burner is covered with glass media. Switch to optional designer speckled stones or add the optional driftwood logset to complement any media choice.

Our Guarantee

Rest assured our uncompromising quality and long-term reliability is backed by our limited 10-year warranty.



P52DF with NG flame
(shown with speckled stones and driftwood)



PL38DF with LP flame
(shown with White/Silver/Opaque firestones)

PL Series

Montigo's PL Series fireplaces allow you the choice of adding porcelain panels, a full function remote control with flame modulation, or multi-speed fans to customize a fireplace that is perfect for your space.



P38DF with NG Flame
(shown with Opal firestones)

P Series

A reflection of Montigo's dedication to luxury. The P Series comes fully loaded with a porcelain firebox liner, burner uplighting, multi-speed fans, and a full function remote control with flame modulation as a standard.



PL42DF
(shown with White/Silver/Opaque firestones)



Radiant Heat

Montigo's Linear P and PL Series fireplaces provide radiant heat to add comfort to any space. Cozy up to a Montigo fire and enjoy the warming glow.

Forced Air

The fan kit distributes heat further into your space. Share the comfort using multi-fan speed control on your standard remote. The fan kit comes standard on all P Series models and is an available option for all PL Series models.



P42DF
(shown with Opal firestones and optional Satin Black surround)

Burner Media Accessories - Firestones



White, Silver, Opaque DGB01 (Order Code: HW1082)



Opal DGB04 (Order Code: HW1106)



Frost DGB10 (Order Code: HW1112)



Ebony DGB03 (Order Code: HW1091)



Ivory DGB09 (Order Code: HW1111)



Diamond Glazier (Order Code: HW1219B)

Burner Media Accessories - Fireglass



Black Ice DGM21 (Order Code: HW1113)



Platinum Ice DGM24 (Order Code: HW1144)



Copper Ice DGM23 (Order Code: HW1143)



Star Ice DGM25 (Order Code: HW1157)

Burner Media Accessories - Stones & Logs



Speckled Stones (Order Codes: RR250SS, RR300SS, RR350SS)



Driftwood Log Set (Order Code: LGSPseries)

PL Series Standard Features:

- Clean face design allows for brick or tile installation over the fireplace frame
- Convertible to top or rear vent
- Concealed ribbon burner with multiple media options
- Snap-lock door for access to firebox
- Flush screen barrier
- All units include screens that meet safety standards

PL Series Options:

- Designer speckled stones, firestones, or fireglass
- Driftwood logset to accent any media option
- Fans equipped with speed control
- Black porcelain firebox liner
- Power vent capable
- Fireplace surround* in satin black or stainless steel
- Full function remote control for flame modulation

* Fireplace must be raised to accommodate four sided surround

PRODUCT SPECIFICATIONS

Model#	P38DF PL38DF	P42DF PL42DF	P52DF PL52DF
Input Rating (NG)	25,000	32,000	40,000
Input Rating (LP)	25,000	32,000	40,000
Gas Supply Pressure (NG)	5.5"WC		
Gas Supply Pressure (LP)	11"WC		
Manifold Pressure (NG)	3.5"WC		
Manifold Pressure (LP)	10"WC		
Fireplace Electrical Requirement	115VAC, 60Hz, 5 Amps		
Vent Size (NG)	5"8"	5"8"	5"10" or 5"8"
Vent Size (LP)	5"8"	5"8"	5"10" or 5"8"
5"8" Maximum Vent Height	32'		
Certification(s)	ANSI Z21.88-2014 / CSA 2.33-2014 Vented Gas Fireplace Heaters CGA2.17-M91 Gas-fired Appliances for Use at High Altitudes		

P Series Standard Features:

- Clean face design allows for brick or tile installation over the fireplace frame
- Convertible to top or rear vent
- Concealed ribbon burner with multiple media options
- Black porcelain firebox liner
- Accent up-lighting
- Multi-speed fans
- Snap-lock door for access to firebox
- Full function remote control for flame modulation, thermostatic control, light on/off control, and fan speed control
- Flush screen barrier
- Battery backup for continuous operation during power failure
- All units include screens that meet safety standards

P Series Options:

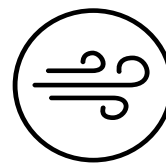
- Designer speckled stones, firestones, or fireglass
- Driftwood logset available to accent any media option
- Power vent capable
- Fireplace surround* in satin black or stainless steel



Full function remote control allows for convenient operation. (Optional for PL Series)

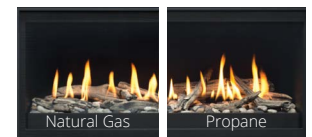


The porcelain panel firebox liner adds an additional glow to the backdrop of your fire. (Optional for PL Series)



(HFK50R)

Fan kits distribute heat where you need it most. (Optional for PL Series)



Montigo's linear P and PL fireplaces offer a premium flame no matter which fuel you use.



PL Series Fireplace Components

	Order Code	Description
Models	PL38DFNI	Direct Vent model equipped with Proflame 2 IPI NG
	PL38DFLI	Direct Vent model equipped with Proflame 2 IPI Propane (LP)
	PL42DFNI	Direct Vent model equipped with Proflame 2 IPI NG
	PL42DFLI	Direct Vent model equipped with Proflame 2 IPI Propane (LP)
	PL52DFNI	Direct Vent model equipped with Proflame 2 IPI NG
	PL52DFLI	Direct Vent model equipped with Proflame 2 IPI Propane (LP)
Standard Media Type	HW1082	White, Silver, Opaque Firestones (9 lbs per installation)
Optional Firebox Liner	PPL38	PL38DF Porcelain Panels
	PPL42	PL42DF Porcelain Panels
	PPL52	PL52DF Porcelain Panels
Optional Media Types	RR250SS	PL38DF Designer Speckled Stones
	RR300SS	PL42DF Designer Speckled Stones
	RR350SS	PL52DF Designer Speckled Stones
	LGSPseries	Driftwood Logset
	N/A	See media page for optional fireglass and firestone selection
Decorative Surrounds	P38SFPSB	PL38DF Satin Black Decorative Surround
	P38SFSS	PL38DF Stainless Steel Decorative Surround
	P42SFPSB	PL42DF Satin Black Decorative Surround
	P42SFSS	PL42DF Stainless Steel Decorative Surround
	P52SFPSB	PL52DF Satin Black Decorative Surround
	P52SFSS	PL52DF Stainless Steel Decorative Surround
Optional Fan Kit	HFK50R	Variable Speed Fan Kit (Requires RX200**)
	HFK50	Variable Speed Fan Kit
Optional Remote Control	RX200NG RX200LP	Optional Remote Control
Emergency Battery Backup	AF40BP	Emergency Battery Backup

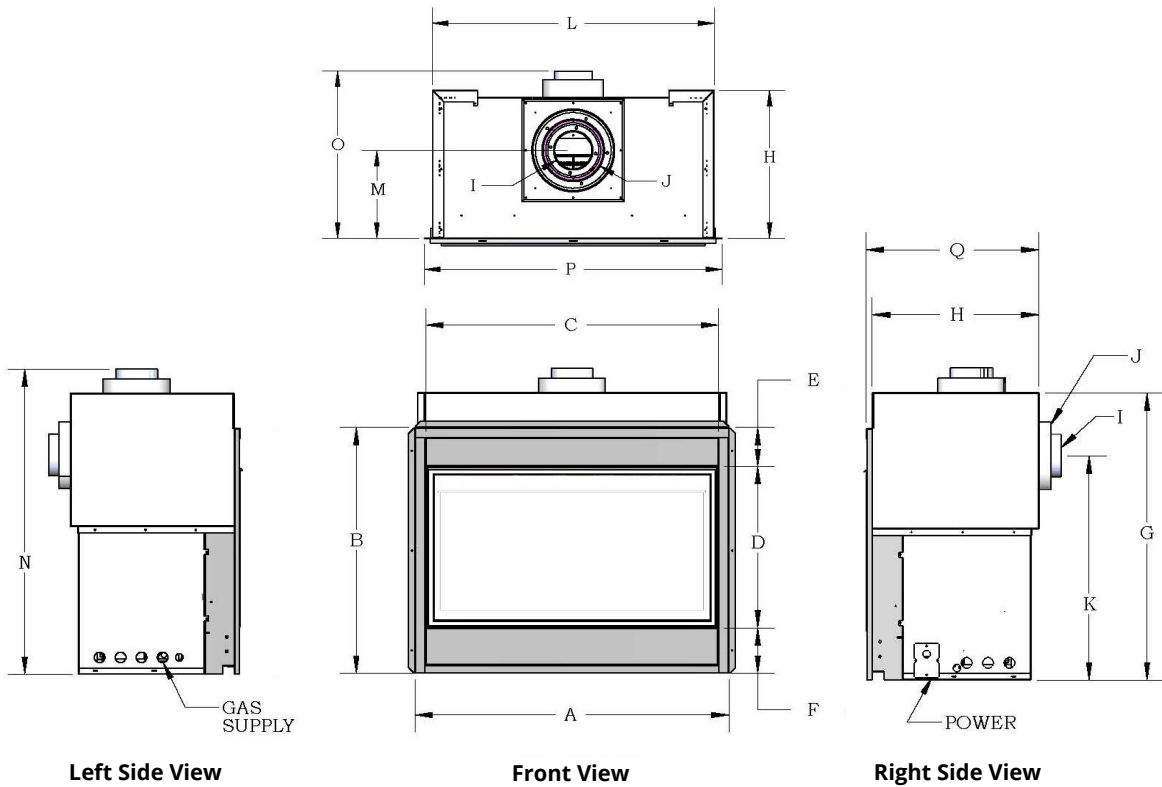
P Series Fireplace Components

	Order Code	Description
Models	PL38DFNI-2	Direct Vent model equipped with Proflame 2 IPI NG
	PL38DFLI-2	Direct Vent model equipped with Proflame 2 IPI Propane (LP)
	PL42DFNI-2	Direct Vent model equipped with Proflame 2 IPI NG
	PL42DFLI-2	Direct Vent model equipped with Proflame 2 IPI Propane (LP)
	PL52DFNI-2	Direct Vent model equipped with Proflame 2 IPI NG
	PL52DFLI-2	Direct Vent model equipped with Proflame 2 IPI Propane (LP)
Standard Media Type	HW1106	Opal Firestones (9 lbs per installation)
Optional Media Types	RR250SS	PL38DF Designer Speckled Stones
	RR300SS	PL42DF Designer Speckled Stones
	RR350SS	PL52DF Designer Speckled Stones
	LGSPseries	Driftwood Logset
	N/A	See media page for optional fireglass and firestone selection
Decorative Surrounds	P38SFPSB	PL38DF Satin Black Decorative Surround
	P38SFSS	PL38DF Stainless Steel Decorative Surround
	P42SFPSB	PL42DF Satin Black Decorative Surround
	P42SFSS	PL42DF Stainless Steel Decorative Surround
	P52SFPSB	PL52DF Satin Black Decorative Surround
	P52SFSS	PL52DF Stainless Steel Decorative Surround

Dimensions

UNIT DIMENSIONS																				
	A	B	C	D	E	F	G	H	I	J	K	L	M	N	O	P	Q	R	S	T
PL38DF P38DF	37¾"	29½"	35¼"	19¾"	4¾"	5½"	33¾"	19½"	5"	8"	26¾"	35½"	11¾"	36¾"	22½"	39¼"	20¼"	37¼"	17½"	33¼"
PL42DF P42DF	42"	30½"	39½"	20¼"	4¾"	5½"	34¾"	20¾"	5"	8"	27¾"	39¾"	12¾"	37¾"	23½"	43¾"	21¼"	41½"	18¾"	37½"
PL52DF P52DF	52"	33¼"	47"	21¾"	6"	5¾"	36¼"	22½"	5"	10"	28¾"	47¾"	14¾"	39"	25¼"	53¾"	22¾"	49¼"	19¾"	45"

Top View

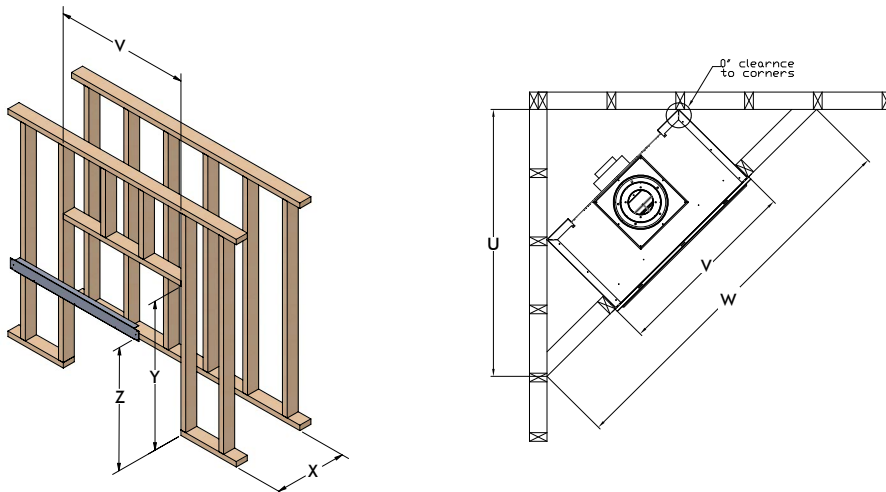


Left Side View

Front View

Right Side View

Framing Dimensions



FRAMING DIMENSIONS						
Model#	U	V	W	X	Y	Z
PL38DF P38DF	53¾"	37¾"	78¼"	20¼"	41¼"	34¼"
PL42DF P42DF	58½"	42"	82¾"	21¾"	42"	35"
PL52DF P52DF	64¾"	52"	91¾"	24½"	43"	37½"

*Framing Dimensions shown for models without surround

P / PL Series



PL42DF with NG flame
(shown with speckled stones and driftwood)

Consult the owner's manual for complete installation instructions, product dimensions and proper clearances to combustible surfaces prior to installing fireplace. All specifications, framing dimensions, product designs, materials and colors are subject to change without notice. The actual flame pattern and color may vary slightly from the illustrations. Diagrams and illustrations are not to scale. Options & accessories may have associated surcharge.

Available at:

WARNING

Some materials used in the manufacturing process of this product can expose you to Benzene which is known in the State of California to cause cancer and birth defects or other reproductive harm. For more information go to www.P65warnings.ca.gov

ARCAT
Printed in Canada

MONTIGO
the art of fireplaces®



P/N XB2209

171006