



**View Bell Vertical 3 LF**  
**Direct Vent Gas Fireplace**  
**Installation manual**



**! DANGER**



**HOT GLASS WILL  
CAUSE BURNS.  
DO NOT TOUCH GLASS  
UNTIL COOLED.  
NEVER ALLOW CHILDREN  
TO TOUCH GLASS.**

A barrier designed to reduce the risk of burns from the hot viewing glass is provided with this appliance and shall be installed for the protection of children and other at-risk individuals.

**INSTALLER:  
Leave this manual with  
the appliance.**

**CONSUMER:  
Retain this manual for  
future reference.**

**! WARNING:  
FIRE OR EXPLOSION HAZARD**

Failure to follow safety warnings exactly could result in serious injury, death or property damage.

- Do not store or use gasoline or other flammable vapors and liquids in the vicinity of this or any other appliance.
- **WHAT TO DO IF YOU SMELL GAS:**
  - Do not try to light any appliance.
  - Do not touch any electrical switch; do not use any phone in your building.
  - Leave the building immediately.
  - Immediately call your gas supplier from a neighbor's phone. Follow the gas supplier's instructions.
  - If you cannot reach your gas supplier, call the fire department.
- Installation and service must be performed by a qualified installer, service agency or the gas supplier.

This appliance may be installed in an aftermarket, permanently located home or mobile home, where not prohibited by local codes. This appliance is only for use with the types of gas indicated on the rating plate. A conversion kit is supplied with the appliance.



# CONTENTS

	Page
IMPORTANT SAFETY INSTRUCTIONS .....	5
CODE APPROVAL .....	8
PRE INSTALLATION INSTRUCTIONS .....	9
GENERAL .....	9
CONCENTRIC FLUE SYSTEMS .....	10
INCLUDED WITH THE APPLIANCE .....	10
OPTIONS AND ACCESSORIES .....	11
CLEARANCES .....	12
VENT INSTALLATION .....	22
POSITIONING THE APPLIANCE .....	38
GAS LINE INSTALLATION .....	46
BUILDING IN / HANGING OF THE APPLIANCE .....	52
PLACING OF CERAMIC LOG SET .....	57
GAS FIRE DECORATION KITS .....	61
MOUNTING OF FLUE GAS RESTRICTION PLATE .....	65
CHECK OVERPRESSURE HATCH .....	66
VISUAL CHECK OF GAS FLAMES .....	67
ANNUAL MAINTENANCE .....	68
FAULTS .....	69
POSSIBLE REASONS .....	69
SAFETY MEASURES IN THE APPLIANCE .....	69
DISMANTLING / ASSEMBLING OF THE GLASS .....	70
DIAGRAM ELECTRICITY AND GAS .....	75
DIMENSIONS .....	76
OPERATING UNIT .....	78
TECHNICAL DETAILS .....	79
REPLACEMENT PART LIST .....	80
PROPANE CONVERSION KIT .....	83
WARRANTY TERMS .....	84



# IMPORTANT SAFETY INSTRUCTIONS

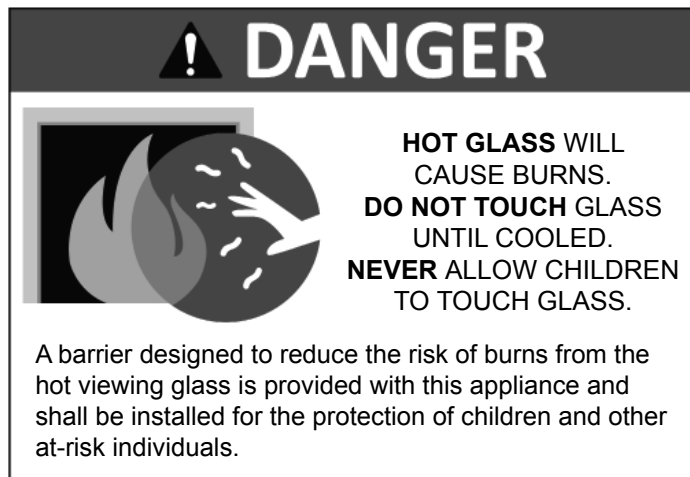
**WARNING:** Improper installation, adjustment, alteration, services or maintenance can cause serious injury or property damage. Refer to this manual.

## SAVE THESE INSTRUCTIONS

Make yourself fully aware of all the following instructions and the many features of the Bellfires direct vent gas fireplace appliance.

**INSTALLER:** Leave this manual with the appliance  
**CONSUMER:** Retain this manual for future reference.

1. This appliance reaches high temperatures. Keep children and adults away from hot surfaces to avoid burns or clothing ignition. The appliance will remain hot for a time after shutdown. Allow surfaces to cool before touching.



2. A barrier designed to reduce the risk of burns from the hot viewing glass is provided with this appliance and shall be installed for the protection of children and other at-risk individuals.
3. If the barrier becomes damaged, the barrier shall be replaced with the manufacturer's barrier for this appliance.
4. Any safety screen, guard or barrier removed for servicing the appliance, must be replaced prior to operating the appliance.
5. Children and adults should be alerted to the hazards of high surface temperature and should stay away to avoid burns or clothing ignition.
6. Young children **MUST** be carefully supervised when they are in the same room as the appliance. Toddlers, young children and others may be susceptible to accidental contact burns. The remote control handset should be kept out of reach of children. A physical barrier is recommended if there are at risk individuals in the house. To restrict access to a fireplace or stove, install an adjustable safety gate to keep toddlers, young children and other at risk individuals out of the room and away from hot surfaces.

## IMPORTANT SAFETY INSTRUCTIONS

7. Keep the area around your appliance clear of combustible materials, gasoline and other flammable vapor and liquids.
8. Do not place embers, vermiculite granules or wood logs against the pilot light burner. Make sure that the pilot flame can burn at all times freely over the main burner. Only in this way is proper ignition of the main burner ensured. Ignoring these directions could lead to a dangerous situation.
9. Never place anything on top of the appliance.
10. Do not use this appliance to cook food or burn paper or other objects.
11. Do not use any solid or liquid fuels in this appliance. Use only the gas type indicated on the rating plate.
12. This appliance is only for use with the type of gas indicated on the rating plate. This appliance is convertible for use with other gases. A conversion kit is supplied with this appliance.

**WARNING:** The conversion kit shall be installed by a qualified service agency in accordance with the manufacturer's instructions and all applicable codes and requirements of the authority having jurisdiction. If the information in these instructions is not followed exactly, a fire, explosion or production of carbon monoxide may result causing property damage, personal injury or loss of life. The qualified service agency is responsible for the proper installation of this kit. The installation is not proper and complete until the operation of the converted appliance, is checked as specified in the manufacturer's instruction supplied with this kit.

13. This appliance must not be connected to a chimney flue serving a separate solid-fuel burning appliance.
14. Installation and service must be performed by a qualified installer, service agency or gas supplier.
15. DO NOT operate the appliance with glass removed, cracked or broken.
16. DO NOT use abrasive cleaners on the panels. DO NOT attempt to clean the glass when it is hot.
17. DO NOT strike or slam the glass panel.
18. DO NOT modify the appliance under any circumstances. Any parts removed for servicing must be replaced prior to operating the appliance.
19. Turn the appliance off and let cool before servicing, installing or repairing. ONLY a qualified service person should install, service or repair the appliance. Have burner system inspected annually by a qualified service person.

## IMPORTANT SAFETY INSTRUCTIONS

20. Keep control compartments, burners and circulating air passages clean. More frequent cleaning may be needed due to excessive lint and dust. Turn off the gas valve and appliance (OFF on remote control) before cleaning the appliance.
21. The venting system **MUST** be checked annually by a qualified service person. If needed, have the venting system cleaned or repaired.
22. When the appliance is installed directly on carpeting, tile or other combustible material, it must be set on a metal panel or hearth pad extending at least the full width and depth of the appliance.
23. **DO NOT** obstruct the flow of combustion and ventilation air in any way. Provide adequate clearances around air openings into the combustion chamber along with adequate accessibility clearance for servicing and proper operation.
24. **DO NOT** use the appliance if any part has been exposed to or has been under water. Immediately call a qualified service technician to inspect the appliance and replace any part of the control system and any gas control which has been submerged in water.
25. **DO NOT** operate the appliance if any log is broken.
26. The installation must conform with local codes or, in the absence of local codes, with the Natural Gas and Propane Installation Code, CSA B149.1.
27. This appliance, when installed, must be electrically grounded in accordance with local codes or in the absence of local codes, with the *Canadian Electrical Code*, CSA C22.1.
28. The appliance is equipped with a safety system, whereby a hatch will extract any over-pressure in a controlled way. In this, the hatch will briefly open. To avoid any possible personal harm when the hatch opens due to an over-pressure, always maintain a minimum distance of 40 in (100 cm) to the appliance, when igniting and when burning. If an over-pressure situation occurs, the appliance should be thoroughly checked by the installer.

### **IMPORTANT:**

**Take care that no pipes get damaged and no compression fittings come loose when moving the gas regulator block. Prevent twisting the flexible pipes! Check all compression fittings for leaks afterwards!**

**WARNING:** Never connect unit to private (non-utility) gas wells. This gas is commonly known as well-headed gas.

# PRE INSTALLATION INSTRUCTIONS

## CODE APPROVAL

Direct Vent type appliances draw all combustion air from outside of the dwelling through the vent pipe.

These appliances have been tested by CSA and found to comply with the established standards for VENTED GAS FIREPLACES in Canada as follows:

### **LISTED VENTED GAS FIREPLACES**

*View Bell Vertical 3 LF tested to:*

- ANSI Z21.88-2014 / CSA 2.33-2014 Vented Gas Fired Heaters.
- CSA P4.1 - 09 Testing method for measuring annual fireplace efficiency.

A mobile home OEM installation must conform with the ***Standard for Gas Equipped Recreational Vehicles and Mobile Housing, CSA Z240.4.***



# PRE INSTALLATION INSTRUCTIONS

**WARNING:** Due to high temperatures, the appliance should be located out of traffic and away from furniture and draperies.

**IMPORTANT:** This appliance is solely intended for installation and use in Canada.

## GENERAL

This 'direct vent' gas appliance must be installed by a qualified installer in accordance with local building codes, or in the absence of local codes, with the current CAN/CSA-B149.1 or .2 Installation Code.

This appliance, when installed, must be electrically connected and grounded in accordance with local codes, or in the absence of local codes, with the current CSA C22.1 Canadian Electrical Code. If you have any queries regarding the installation, please consult your local gas company.

## IMPORTANT:

**Before beginning the installation, check that the details on the rating plate correspond to the gas type and pressure to which the appliance will be connected.**

The appliance is supplied with a "Line Fire" double burner. This burner has a specific flame image which is defined by the perforation pattern in the burner cover. See Chapter "DIAGRAM ELECTRICITY AND GAS" and the Operating Manual.

The appliance is factory set to the correct nominal heat input. The pilot light is set to the correct level of consumption.

The appliance will be delivered from the factory with a 5 $\frac{1}{8}$ " x 7 $\frac{7}{8}$ " concentric connection for extracting the flue gases and supply of combustion air.

It is possible to install the appliance with either a wall or roof outlet. The roof connection must be carried out using a Bellfires adapter (5 $\frac{1}{8}$ " x 7 $\frac{7}{8}$ " to 5" x 8") together with a reducer (5" x 8" to 4" x 6 $\frac{5}{8}$ ") or using a Bellfires adapter (5 $\frac{1}{8}$ " x 7 $\frac{7}{8}$ " to 4" x 6 $\frac{5}{8}$ "), and the concentric flue system 4" x 6 $\frac{5}{8}$ ". The fumes are exhausted naturally to the outside environment through the inner 4" pipe whereas the combustion air supply passes between the 4" and 6 $\frac{5}{8}$ " pipes.

The wall connection must be carried out using a Bellfires adapter (5 $\frac{1}{8}$ " x 7 $\frac{7}{8}$ " to 5" x 8") and the concentric flue system 5" x 8". The flue gases are evacuated outside by means of natural draft through the internal pipe of 5", whereas the combustion air is supplied between the pipes of 5" and 8".

The appliance can be installed in a completely sealed or mechanically ventilated house without extra ventilation and/or fume extraction.

# PRE INSTALLATION INSTRUCTIONS

The appliance can be installed as an insert into an existing open fire place or as a built-in appliance in a new fire place. In order to prevent the fireplace heating up excessively, it must be properly ventilated by installing vents at the top of the fireplace.

The provided barrier safety screen, designed to reduce the risk of burns from the hot viewing glass, shall be installed.

If an existing chimney is to be used, please consult your installer first. If the chimney was previously used for a wood or coal fire, then it should be cleaned by an expert.

## CONCENTRIC FLUE SYSTEMS

- **M&G DuraVent - Direct Vent Pro** ..... 4" x 6<sup>5</sup>/<sub>8</sub>" and 5" x 8"
- **SELKIRK - DIRECT-TEMP - Direct Vent Products** ..... 4" x 6<sup>5</sup>/<sub>8</sub>" and 5" x 8"
- **METAL-FAB - Sure-Seal - Direct Vent Products** ..... 4" x 6.5" and 5" x 8"

The appliance, in combination with the concentric flue system [4" x 6<sup>5</sup>/<sub>8</sub>"] and/or [5" x 8"] (rigid and/or flexible) for the brands, M&G DuraVent (Direct Vent Pro), Selkirk (Direct Temp) or Metal-Fab (Sure-Seal) has been approved in accordance with the ANSI / CSA standard for direct vented gas appliances and may therefore be used only with these systems.

The permitted components for these systems are listed in Chapter "Vent Installation".

The guarantee on the appliance lapses if it is installed, fully or partially, with other components or a different flue system.

The concentric flue [4" x 6<sup>5</sup>/<sub>8</sub>"] and [5" x 8"] systems can be used with either a newly-built or existing chimney.

## INCLUDED WITH THE APPLIANCE

Set documentation	<ul style="list-style-type: none"><li>- Instructions for use</li><li>- Installation instructions</li></ul>
Attributes	<ul style="list-style-type: none"><li>- Barrier</li><li>- Ceramic log set</li><li>- Propane conversion kit View Bell Vertical 3 LF</li></ul>

N.B. If any part is missing, please contact your dealer.

# PRE INSTALLATION INSTRUCTIONS

## OPTIONS AND ACCESSORIES

The following options and accessories can be supplied by your dealer:

<u>Part no</u>	<u>Accessory</u>
329874	Set carrying brackets (2 pieces)
337670	Set of high adjustable feet (4 pieces) + adapter pieces Feet height: max. +13¾ in.
336838	Mantel iron VWBV3
337811	High altitude kit 2 000 - 4 500 ft View Bell Vertical 3 LF (Natural gas <u>and</u> Propane gas)
	M&G DuraVent - Direct Vent Pro concentric flue system See component summary
	SELKIRK - DIRECT-TEMP - Direct Vent Products concentric flue system See component summary
	METAL-FAB - Sure-Seal - Direct Vent Products concentric flue system See component summary

# CLEARANCES

**WARNING:** Follow these instructions carefully to ensure safe installation. Failure to follow instructions exactly can create a fire hazard.

## UNIT MUST SIT ON NON COMBUSTABLE SURFACE

The appliance must be installed on a non-combustible floor. If installed on, for example, carpet or vinyl flooring, the appliance shall be placed on a plate of non-combustible material extending the full width and depth of the appliance.

All clearances to combustible and non-combustible materials must be maintained as described in this manual.

Clearances are in accordance with local installation codes and the requirements of the gas supplier.

Never use combustible materials during the installation.

During installation of the appliance, a clearance of 1/8" (3 mm) should be maintained on all sides of the appliance to allow for expansion of the appliance during operation.

Do not insulate the appliance! Only the top and sides may be fitted with a strip of white, loose insulation wool (heat-resistant to 1832°F (1000°C)), width 6" (15 cm) max. to protect the wall.

Do not use fibreglass or Rockwool, or any other sort of insulating material. These emit a pungent odour. This is considered extremely unpleasant. They may also cause discolouring of the column.

Combustible materials, such as curtains, should not be placed in the vicinity of the appliance. Minimum safe distance: 40" (100 cm).

Never place the appliance directly to a combustible or non-combustible rear wall and side wall.

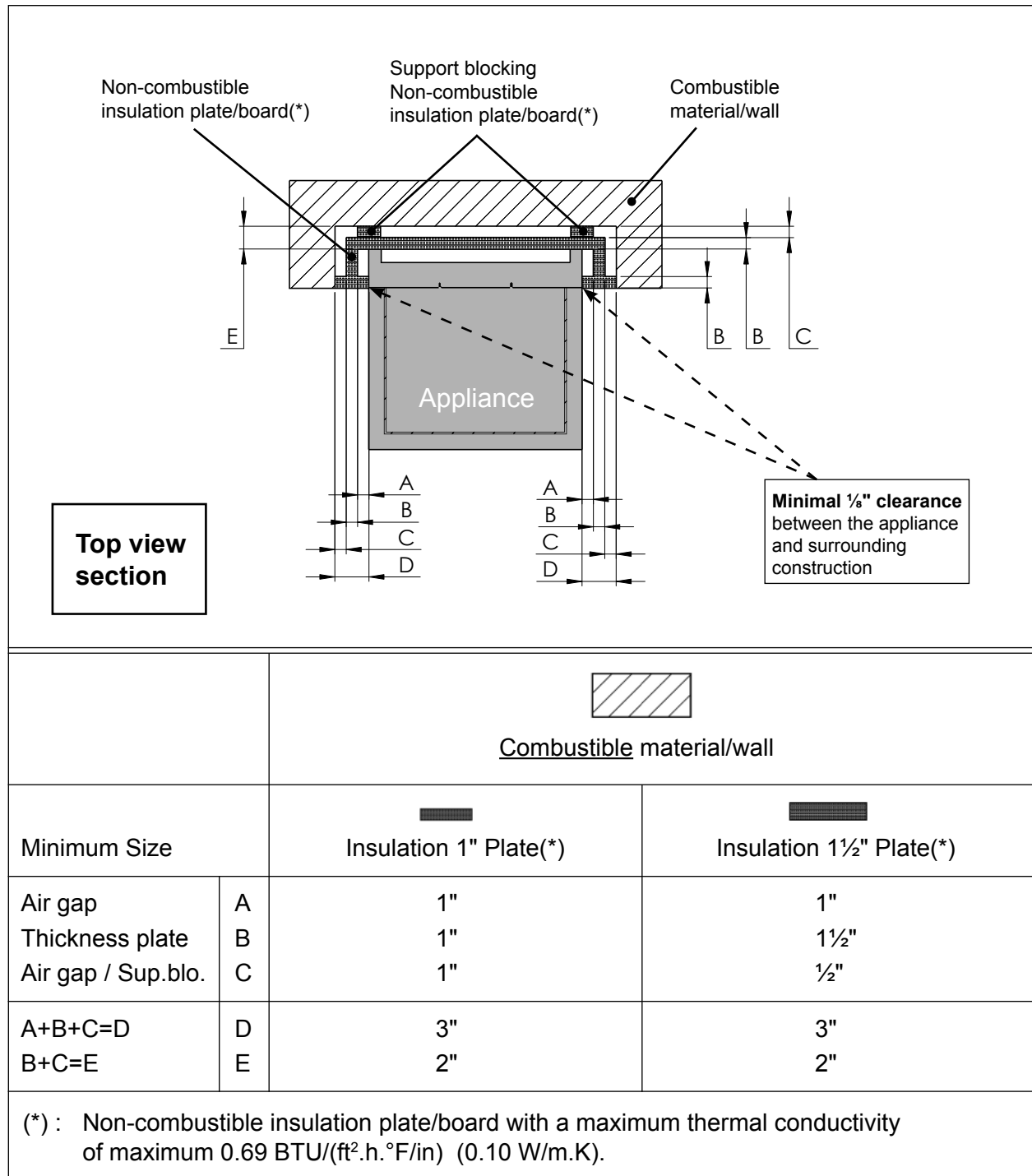
# CLEARANCES

## Clearances to combustible material

### Minimum clearances to combustible sides:

Always place a non-combustible insulation plate/board(\*) (false back wall) between the appliance and the rear wall and the side wall according to figure 1.

The minimum thickness of the non-combustible insulation plate/board(\*) and the minimum clearances to combustible material as shown in figure 1 must be maintained.



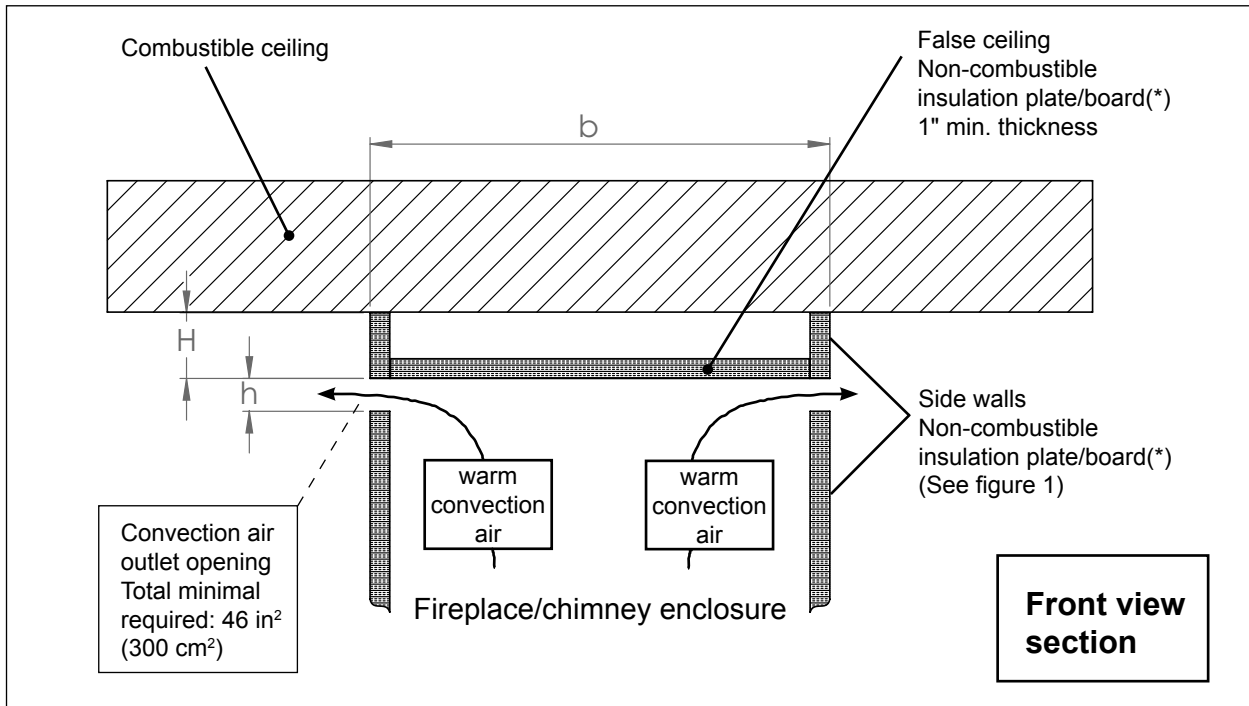
**Figure 1: Clearances to combustible sides & The minimum required thickness of the non-combustible plate/board(\*)**

# CLEARANCES

## Clearances to combustible material

### Minimum clearances to combustible ceiling (and non-combustible ceiling):

Place a non-combustible insulation plate/board(\*) (false ceiling) with a thickness of min. 1" (2.5 cm) at a height of minimum 20" (50 cm) above the appliance. Maintain a free space of minimum 4" (10 cm) between the insulation plate and a combustible ceiling. Alternative: Without a false ceiling: Create an open space of minimum 20" (50 cm) height (h) between the combustible ceiling and the chimney enclosure. (Full width and depth).



	Size	Minimal sizes for the convection air outlet opening in the chimney enclosure	
		Combustible ceiling	
		With false ceiling (*): Min. 1" thick	Alternative: Without false ceiling
Height of convection air outlet opening	h	<b>Minimal 2"</b> (min. required opening is 46 sq ins.)	Minimal 20" (50 cm)
Width of the convection air outlet opening	b	<b>Minimal 23", at a height of 2"</b> (min. required opening is 46 sq ins.)	Full width and depth of the chimney enclosure
Height of false ceiling(*)	H	<b>Minimal 5"</b> (= 4" free space + 1" false ceiling)	N.A. (0")

(\*) : Non-combustible insulation plate/board with a maximum thermal conductivity of 0.69 BTU/(ft<sup>2</sup>.h.°F/in) (0.10 W/m.K).

**Figure 2: Clearances to combustible ceiling & Minimal sizes for the convection air outlet opening**

### Minimum clearances to combustible floor (under the appliance):

Place on the floor under the appliance a non-combustible insulation plate/board(\*) with a thickness of min. 1" (2.5 cm). Use under the feet of the appliance: tiles (± 4" x 4") of ½" concrete board.

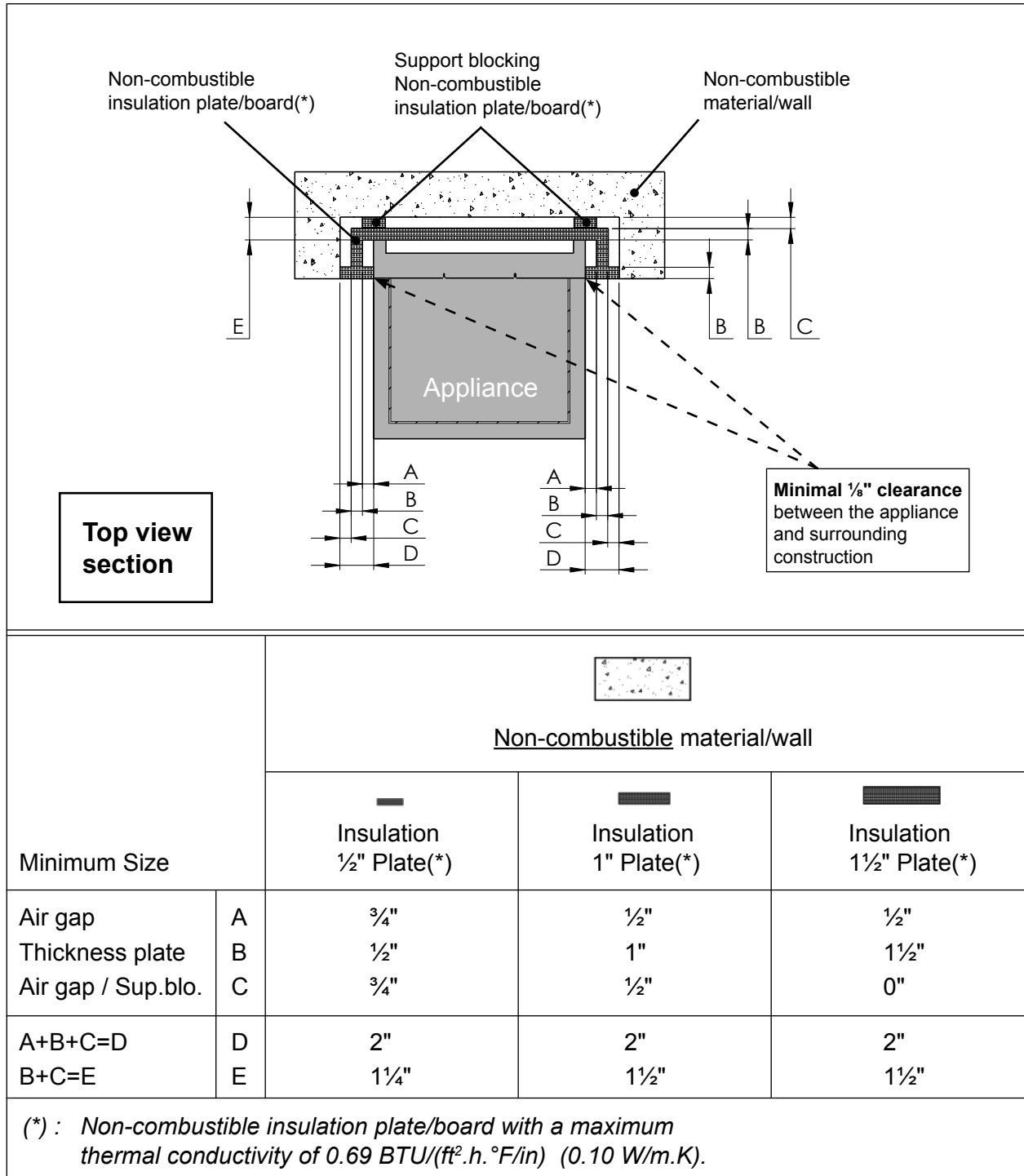
# CLEARANCES

## Clearances to non-combustible material

### Minimum clearances to non-combustible sides:

Always place a non-combustible insulation plate/board(\*) (false back wall) between the appliance and the rear wall and the side wall according to figure 3.

The minimum thickness of the non-combustible insulation plate/board(\*) and the minimum clearances to non-combustible material as shown in figure 3 must be maintained.



**Figure 3: Clearances to non-combustible sides & The minimum required thickness of the non-combustible plate/board(\*)**

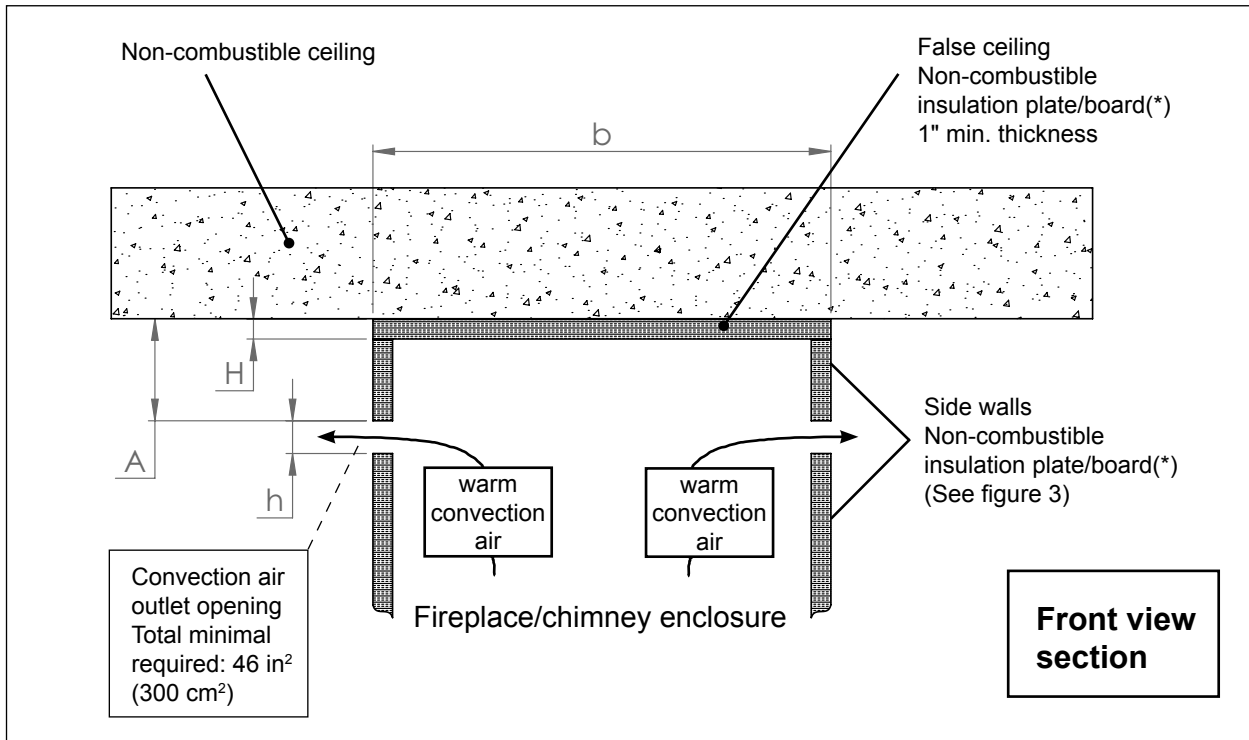
# CLEARANCES

## Clearances to non-combustible material

### Minimum clearances to non-combustible ceiling:

Place a non-combustible insulation plate/board(\*) (false ceiling) with a thickness of min. 1" (2.5 cm) at a height of minimum 20" (50 cm) above the appliance.

Alternative: Without a false ceiling: Create an open space of minimum 8" (20 cm) height (h) between the non-combustible ceiling and the chimney enclosure. (Full width and depth.)



	Size	Minimal sizes for the convection air outlet opening in the chimney enclosure	
		Non-combustible ceiling	
		With false ceiling (*): Min. 1" thick	Alternative: Without false ceiling
Height of convection air outlet opening	h	<b>Minimal 2"</b> (min. required opening is 46 sq ins.)	Minimal 8" (20 cm)
Width of the convection air outlet opening	b	<b>Minimal 23", at a height of 2"</b> (min. required opening is 46 sq ins.)	Full width and depth of the chimney enclosure
Height of false ceiling(*)	H	<b>Minimal 1" (= 1" false ceiling)</b>	N.A. (0")
Distance between ceiling and convection air outlet opening	A	<b>Minimal 5"</b>	0"

(\*) : Non-combustible insulation plate/board with a maximum thermal conductivity of 0.69 BTU/(ft<sup>2</sup>.h.°F/in) (0.10 W/m.K).

**Figure 4: Clearances to non-combustible ceiling & Minimal sizes for the convection air outlet opening**

### Minimum clearances to non-combustible floor (under the appliance):

Place the appliance directly on the non-combustible floor.



# CLEARANCES

## **Ventilation**

Ventilate the fireplace/chimney breast:

- all spaces between the appliance and the insulation plates
- all spaces between the insulation plates and all surrounding walls by allowing vents above.

### **With false ceiling:**

Minimal required net vent openings above must be total 46 sq ins (300 cm<sup>2</sup>).

This can be done by ventilation openings or grills.

The design of the ventilation openings/grills is free to choose.

Place the ventilation opening/grills at minimal 5" (12.5 cm) distance under the ceiling, to prevent discoloration.

See also figure 2 and 4.

### **Without false ceiling:**

Between the top of the fireplace/chimney breast and the ceiling there must be a total open space.

The minimal required sizes of this open space are given in figure 2 and 4.

## **Non-combustible insulation plate/board**

Any used insulation plates must have a maximum thermal conductivity of 0.69 BTU/(ft<sup>2</sup>.h.°F/in) (0.10 W/m.K).

Suitable insulation materials are listed in table 1.

Do not use fibreglass or Rockwool, or similar material. These materials emit a pungent odour, which is considered extremely unpleasant.

Plate material	Thermal conductivity	
	BTU/(ft <sup>2</sup> .h.°F/in)	(W/m.K)
Promat Promatect L insulating board	0.57	(0.083)
Skamol Skamotec 225	0.416	(0.06)
Skamol Super-Isol	0.55	(0.08)

**Table 1: Suitable insulation material**

# CLEARANCES

## Mantel clearances

Any mantel piece made of combustible material should be placed at least 2" from the side and top of the fireplace opening. Minimum mantel clearances are shown in figure 5 to 7.

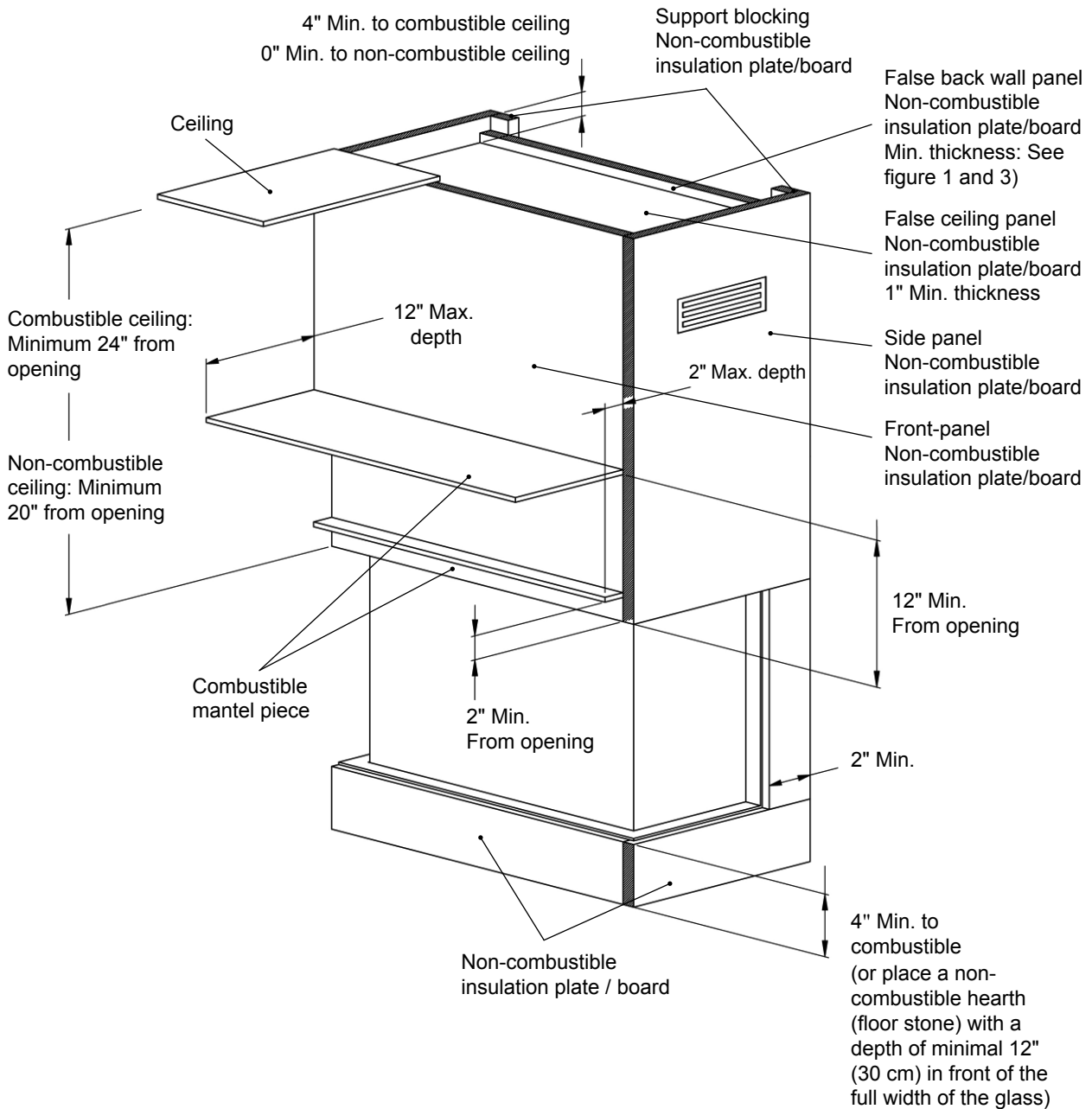


Figure 5: Mantel clearances

# CLEARANCES

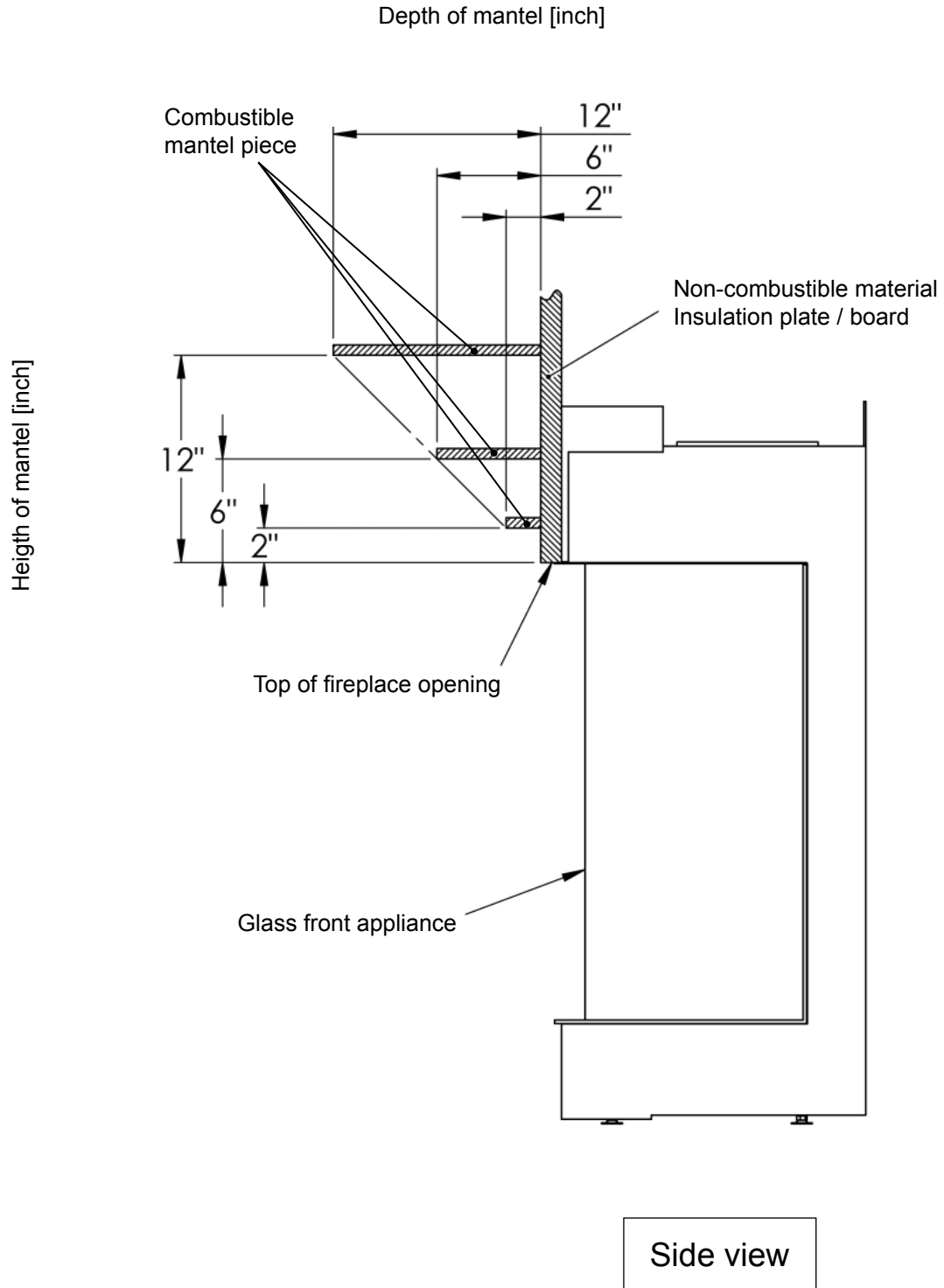
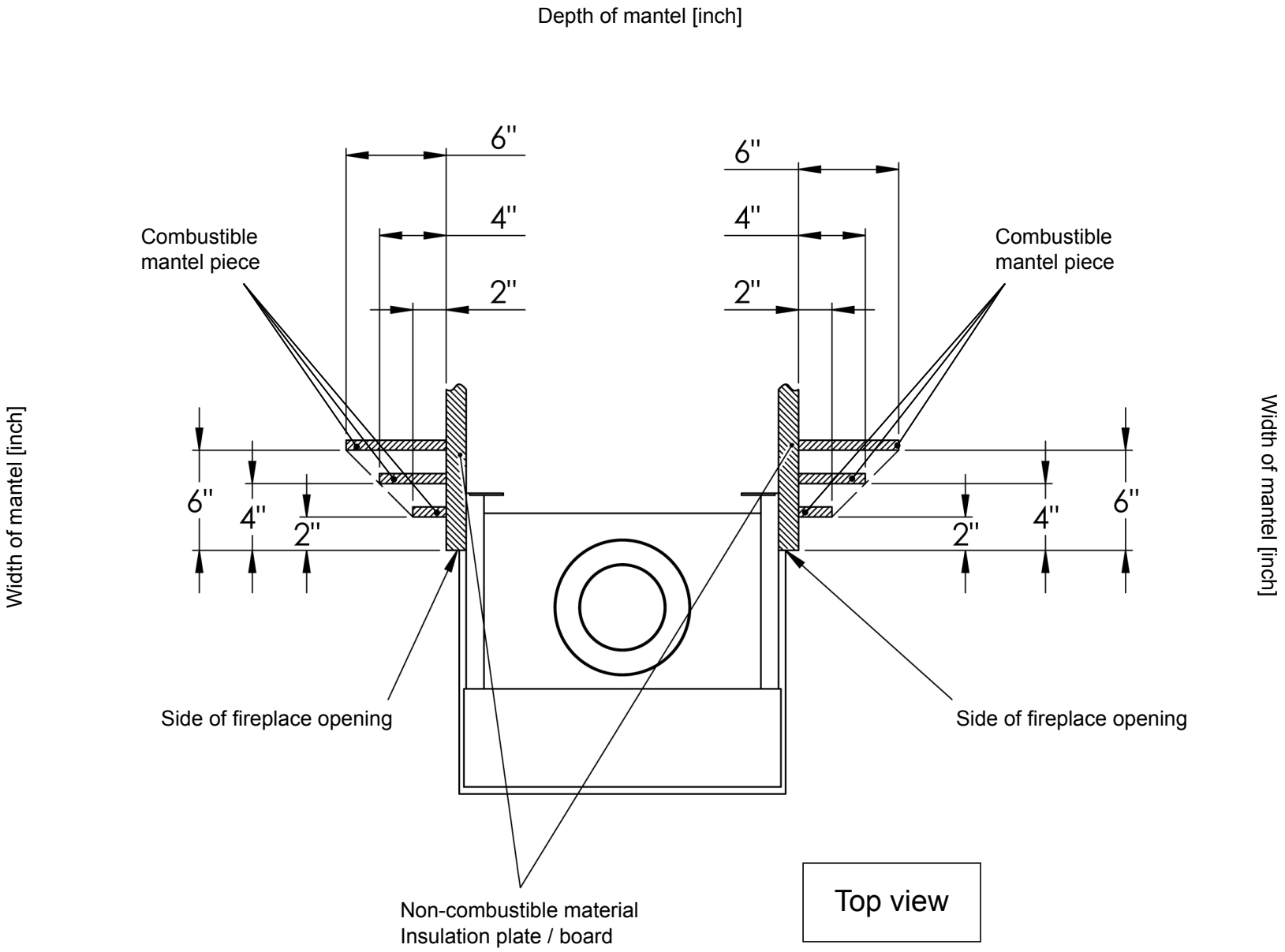
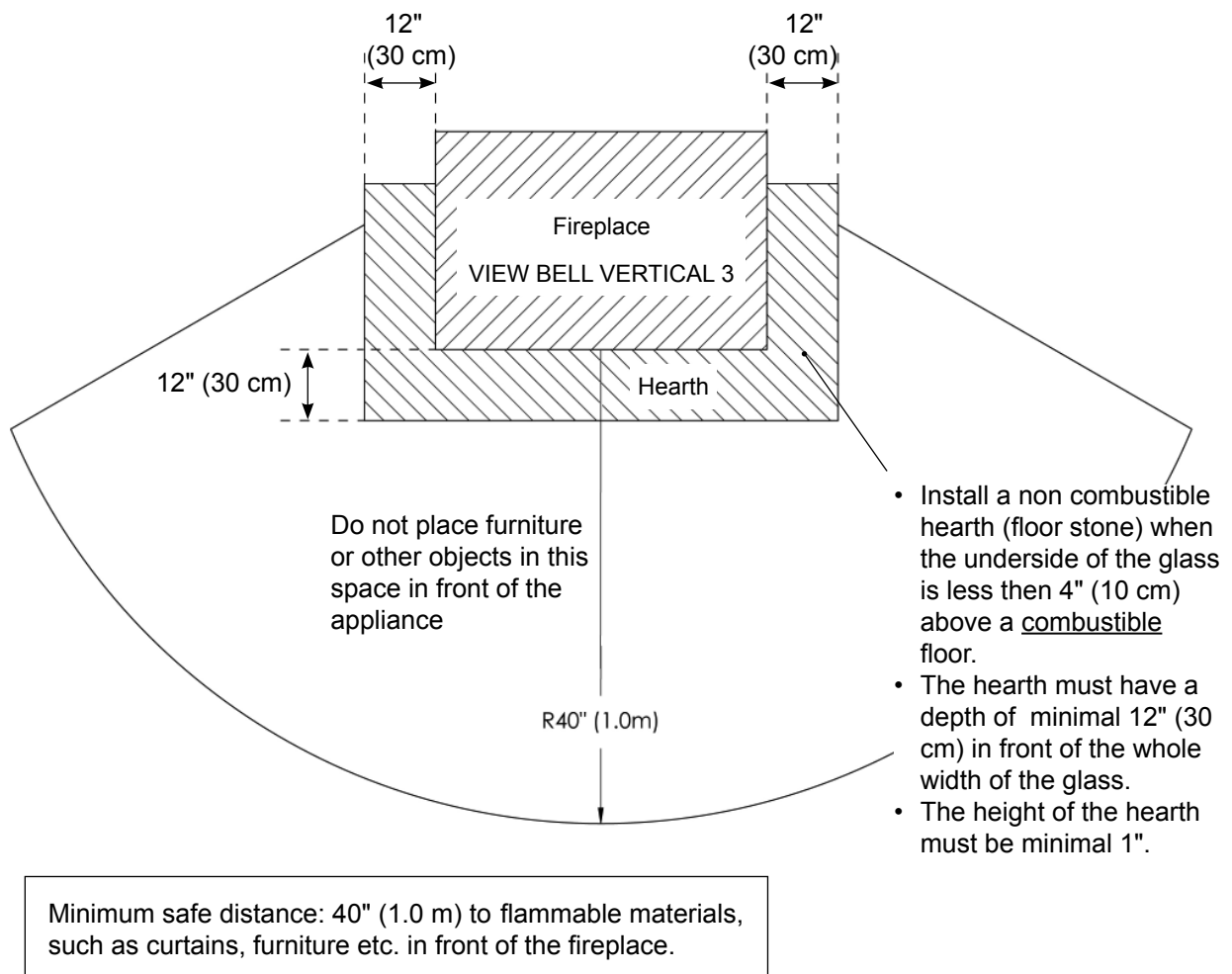


Figure 6: Top mantel clearances

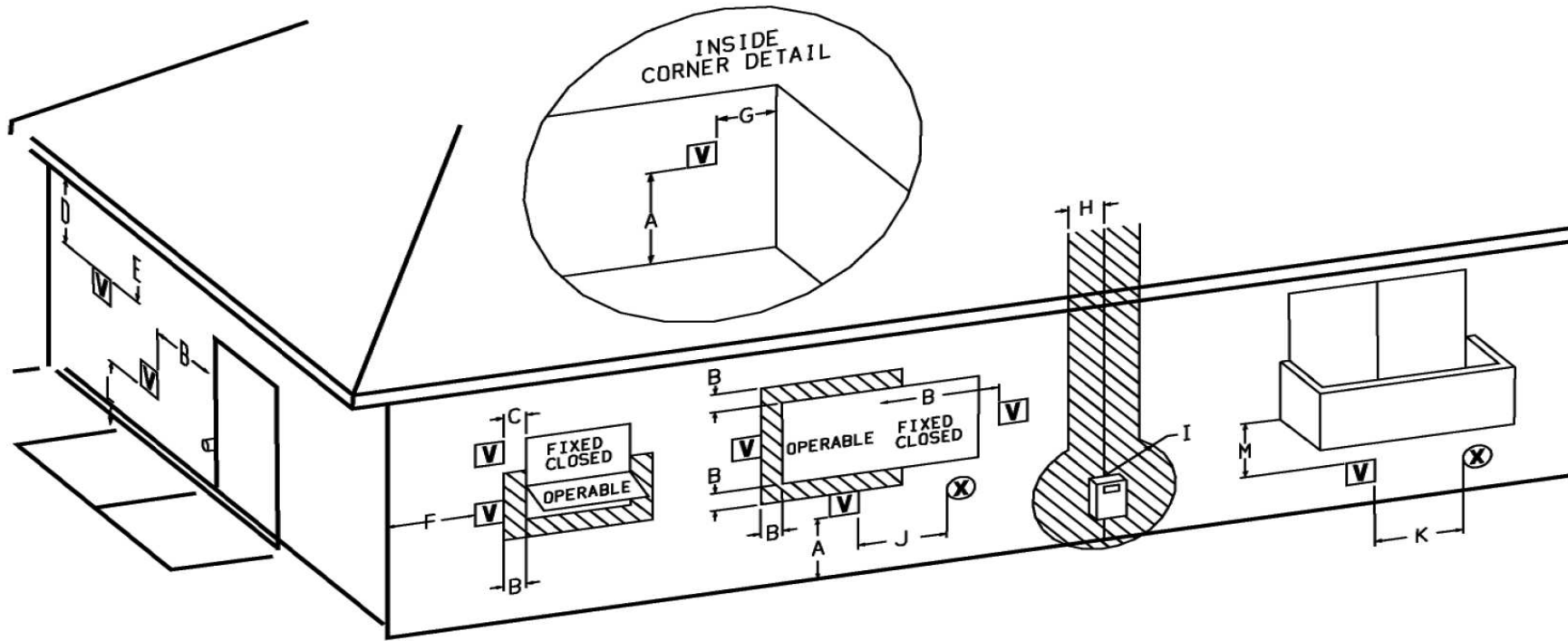


**Figure 7: Side mantel clearances**

# CLEARANCES



**Figure 8: Safety distance front appliance**



**V** VENT TERMINAL

**X** AIR SUPPLY INLET

 AREA WHERE TERMINAL IS NOT PERMITTED

	Requirements <sup>1</sup>
A= Clearance above, grade, veranda, porch, deck or balcony	12 in (30 cm)
B= Clearance to window, or door that may be opened	12 in (30 cm)
C= Clearance to permanently closed window	12 in (30 cm)
D= Vertical clearance to ventilated soffit located above the terminal within a horizontal distance of 2 feet (610 mm) from the center line of the terminal	18 in (46 cm)

	Canadian Installations <sup>1</sup>
E= Clearance to unventilated soffit	12 in (30 cm)
F= Clearance to outside corner	12 in (30 cm)
G= Clearance to inside corner	12 in (30 cm)
H= Clearance to each inside of center line extended above meter / regulator	3 ft (91 cm) within a height 15 ft (4.5 m) above the assembly meter/regulator assembly
I = Clearance to service regulator vent outlet	3 ft (91 cm)
J= Clearance to non-mechanical air supply inlet to building or the combustion air inlet to any other appliance	12 in (30 cm)
K= Clearance to a mechanical air supply inlet	6 ft (1.83 m)
L= Clearance above paved sidewalk or paved driveway located on public property	7 ft (2.13 m) †
M= Clearance under veranda, porch, deck or balcony	20 in (51 cm) ‡
<p>1 In accordance with the current CSA-B149 Installation Codes.</p> <p>† A vent shall not terminate directly above a sidewalk or paved driveway that is located between two single family dwellings and serves both dwellings.</p> <p>‡ Permitted only if veranda, porch, deck or balcony is fully open on a minimum of two sides beneath the floor.</p> <p>NOTE: Local codes or regulations may require different clearances. Interfocos assumes no responsibility for the improper performance of the appliance when the venting system does not meet these requirements.</p>	

# VENT INSTALLATION

## M&G DuraVent - DIRECT VENT PRO 4" x 6<sup>5</sup>/<sub>8</sub>" - Available approved components:

<b>M&amp;G DuraVent - Direct Vent Pro</b> Concentric (= Co-axial) direct vent system Size Diam. (in.) : 4" x 6 <sup>5</sup> / <sub>8</sub> " Material Type : 0.020" aluminum inner wall - 0.018" galvanized steel outer wall		
Item no.	Description	DuraVent Part no.
1	Bellfires Adapter: 5 <sup>1</sup> / <sub>8</sub> " x 7 <sup>7</sup> / <sub>8</sub> " to 4" x 6 <sup>5</sup> / <sub>8</sub> " Direct Vent Pro	46DVA-AD-BF
2	Vertical Termination - High-Wind Termination Cap	46DVA-VCH
3	Vertical Wind Guard - Only for High Wind Termination Cap	46DVA-VWG
4	Vertical Termination - Low-Profile Termination Cap	46DVA-VC
5	Vertical Termination - Extended Vertical Termination Cap	46DVA-VCE
6	6" Pipe Length	46DVA-06
7	9" Pipe Length	46DVA-09
8	12" Pipe Length	46DVA-12
9	18" Pipe Length	46DVA-18
10	24" Pipe Length	46DVA-24
11	36" Pipe Length	46DVA-36
12	48" Pipe Length	46DVA-48
13	60" Pipe Length	46DVA-60
14	8 <sup>1</sup> / <sub>2</sub> " Pipe Extension	46DVA-08A
15	16" Pipe Extension	46DVA-16A
16	11"-17" Adjustable Pipe	46DVA-17TA
17	17"-24" Adjustable Pipe	46DVA-24TA
18	30° Elbow	46DVA-E30
19	45° Elbow	46DVA-E45
20	60° Elbow	46DVA-E60
21	90° Elbow	46DVA-E90
22	Elbow Strap	46DVA-ES
23	Wall Strap	46DVA-WS
24	Ceiling Support / Wall Thimble Cover	46DVA-DC
25	Cathedral Ceiling Support Box	46DVA-CS
26	Ceiling Firestop	46DVA-FS
27	Attic Insulation Shield	46DVA-IS
28	Adjustable Roof Flashing, 0/12 to 6/12 Roof Pitch	46DVA-F6
29	Steep Roof Flashing, 7/12 to 12/12 Roof Pitch	46DVA-F12
30	Flat Roof Flashing	46DVA-FF
31	Dead Soft Aluminum Flashing, 0/12 to 6/12 Roof Pitch	46DVA-F6DS
32	Dead Soft Aluminum Flashing, 7/12 to 12/12 Roof Pitch	46DVA-F12DS
33	Storm Collar	46DVA-SC
34	Flex Liner 4" (25 ft. long )	4DFA-25
35	Flex Coupling 4"	4DFA-FC
36	Connector for Flex Liner 4"	4SL-316



# VENT INSTALLATION

## M&G DuraVent - DIRECT VENT PRO 5" x 8" - Available approved components:

<b>M&amp;G DuraVent - Direct Vent Pro</b> Concentric (= Co-axial) direct vent system Size Diam. (in.) : 5" x 8" Material Type : 0.020" aluminum inner wall - 0.018" galvanized steel outer wall		
Item no.	Description	DuraVent Part no.
101	Bellfires Adapter: 5 $\frac{1}{8}$ " x 7 $\frac{7}{8}$ " to 5" x 8" Direct Vent Pro	58DVA-AD-BF
102	Horizontal Termination - Round Termination Cap	58DVA-HRCS
103	Horizontal Termination - High Wind Square Termination Cap	58DVA-HC
104	Horizontal Termination - Sconce Termination Cap	58DVA-HSC
105	Horizontal Termination - High Wind Sconce Termination Cap	58DVA-HSCH
106	6" Pipe Length	58DVA-06
107	9" Pipe Length	58DVA-09
108	12" Pipe Length	58DVA-12
109	18" Pipe Length	58DVA-18
110	24" Pipe Length	58DVA-24
111	36" Pipe Length	58DVA-36
112	48" Pipe Length	58DVA-48
113	60" Pipe Length	58DVA-60
114	8 $\frac{1}{2}$ " Pipe Extension	58DVA-08A
115	16" Pipe Extension	58DVA-16A
116	11"-17" Adjustable Pipe	58DVA-17TA
117	17"-24" Adjustable Pipe	58DVA-24TA
118	30° Elbow	58DVA-E30
119	45° Elbow	58DVA-E45
120	60° Elbow	58DVA-E60
121	90° Elbow	58DVA-E90
122	Elbow Strap	58DVA-ES
123	Wall Strap	58DVA-WS
124	Ceiling Support / Wall Thimble Cover	58DVA-DC
125	Cathedral Ceiling Support Box	58DVA-CS
126	Ceiling Firestop	58DVA-FS
127	Attic Insulation Shield	58DVA-IS
128	Wall Thimble	58DVA-WT
129	Wall Thimble - Small	58DVA-WTS
130	Universal Wall Thimble	58DVA-WTU
131	Wall Firestop	58DVA-WFS
132	Vinyl Siding Standoff	58DVA-VSS
133	Vinyl Siding Standoff Kit	58DVA-VSK
134	Vinyl Siding Standoff Kit Small	58DVA-VSKS
135	Counter Flashing	58DVA-CFK /-S
136	Counter Flashing - Small	58DVA-CFKS
137	Flex Liner 5"	5DFA-25
138	Connector for Flex Liner 5"	5SL-316
139	Flex Adapter Starter	DVFF8A/8
140	Reducer: 5"x 8" to 4" x 6 $\frac{5}{8}$ "	58DVA-J

# VENT INSTALLATION

## SELKIRK - DIRECT-TEMP Direct Vent Products 4" x 6<sup>5</sup>/<sub>8</sub>" - Available approved components:

<b>SELKIRK – DIRECT-TEMP Direct Vent Products</b> Concentric (= Co-axial) direct vent system Size Diam. (in.) : 4" x 6 <sup>5</sup> / <sub>8</sub> " Material Type : 0.012" 304 stainless steel inner wall 0.018" galvanized steel outer wall		
Item no.	Description	SELKIRK Part no.
1	Bellfires Adapter: 5 <sup>1</sup> / <sub>8</sub> " x 7 <sup>7</sup> / <sub>8</sub> " to 4" x 6 <sup>5</sup> / <sub>8</sub> " Direct Temp	4DT-AAB
2	Vertical Termination	4DT-VT
6	DT - 6" Pipe	4DT-06
7	DT - 9" Pipe	4DT-09
8	DT - 12" Pipe	4DT-12
9	DT - 18" Pipe	4DT-18
10	DT - 24" Pipe	4DT-24
11	DT - 36" Pipe	4DT-36
12	DT - 48" Pipe	4DT-48
14	Adjustable Length 4-10"	4DT-AJ12
16	Telescopic Length 14-22"	4DT-TL 14
17	Telescopic Length 38-70"	4DT-TL 38
19	Elbow 45°	4DT-EL45
21	Elbow 90°	4DT-EL90S
23	Wall Support/Band	4DTWS/B
24	Ceiling Support	4DT-CS
25	Cathedral Ceiling Support Box	4DT-CCS
26	Firestop Spacer	4DT-FS
27	Attic Insulation Shield	4DT-AIS
-	Offset Support	4DT-OS
28	Roof Flashing, Adjustable 0/12 to 6/12	4DT-AF6
29	Roof Flashing, Adjustable 6/12 to 12/12	4DT-AF12
30	Roof Flashing, Rubber Boot	URBAK
33	Storm Collar	4DT-SC
-	Trim Plate	4DT-TP

# VENT INSTALLATION

## SELKIRK - DIRECT-TEMP Direct Vent Products 5" x 8" - Available approved components:

SELKIRK - DIRECT-TEMP Direct Vent Products Concentric (= Co-axial) direct vent system		
Size Diam. (in.) : 5" x 8"		
Material Type : 0.012" 304 stainless steel inner wall 0.018" galvanized steel outer wall		
Item no.	Description	SELKIRK Part no.
101	Bellfires Adapter: 5 $\frac{1}{8}$ " x 7 $\frac{7}{8}$ " to 5" x 8" Direct Temp	5DT-AAB
102	Horizontal Insulated Termination - Square	5DT-HC
106	DT - 6" Pipe	5DT-06
107	DT - 9" Pipe	5DT-09
108	DT - 12" Pipe	5DT-12
109	DT - 18" Pipe	5DT-18
110	DT - 24" Pipe	5DT-24
111	DT - 36" Pipe	5DT-36
112	DT - 48" Pipe	5DT-48
114	Adjustable Length 4-10"	5DT-AJ12
119	Elbow 45°	5DT-EL45
121	Elbow 90°	5DT-EL90
123	Wall Support/Band	5DTWS/B
124	Ceiling Support	5DT-CS
125	Cathedral Ceiling Support Box	5DT-CCS
126	Firestop Spacer	5DT-FS
127	Attic Insulation Shield	5DT-AIS
-	Offset Support	5DT-OS
128	Wall Thimble	5DT-WT
132	Vinyl Siding Standoff	5DT-VS
-	Trim Plate	5DT-TP
140	Reducer: 5"x 8" to 4" x 6 $\frac{5}{8}$ "	5DT-R4

# VENT INSTALLATION

## METAL-FAB - Sure-Seal Direct Vent Products 4" x 6.5" - Available approved components:

<b>METAL-FAB - Sure-Seal Direct Vent Products</b> Concentric (= Co-axial) direct vent system Size Diam. (in.): 4" x 6.5" Material Type : 0.012" 430 stainless steel inner wall 0.018" galvanized steel outer wall		
Item no.	Description	METAL-FAB Part no.
1	Bellfires Adapter: 5 <sup>1</sup> / <sub>8</sub> " x 7 <sup>7</sup> / <sub>8</sub> " to 4" x 6.5" Metal-Fab	54DBA
2	Vertical Termination - Termination Cap	4DVT
6	6" Pipe Straight Length assembly	4D6
8	12" Pipe Straight Length assembly	4D12
9	18" Pipe Straight Length assembly	4D18
10	24" Pipe Straight Length assembly	4D24
11	36" Pipe Straight Length assembly	4D36
12	48" Pipe Straight Length assembly	4D48
14	Adjustable Length 3"-10"	4DAL
19	Elbow 45°	4D45L
21	Elbow 90°	4D90L
23	Wall support	4DWS
26	Firestop	4DFS
-	Support Plate	4DSP
-	Decorative Cover Plate	4DCP
28	Roof Flashing, Roof Pitch ±30°	4DF
29	Roof Flashing, Roof Pitch Steep ±45°	4DF-S
-	Roof Flashing, Roof Pitch Extra Steep ±60°	4DF-ES
30	Roof Flashing, Flat Roof	4DF-FR
33	Storm Collar	4DSC
-	Painted Roof Support	4DRS

# VENT INSTALLATION

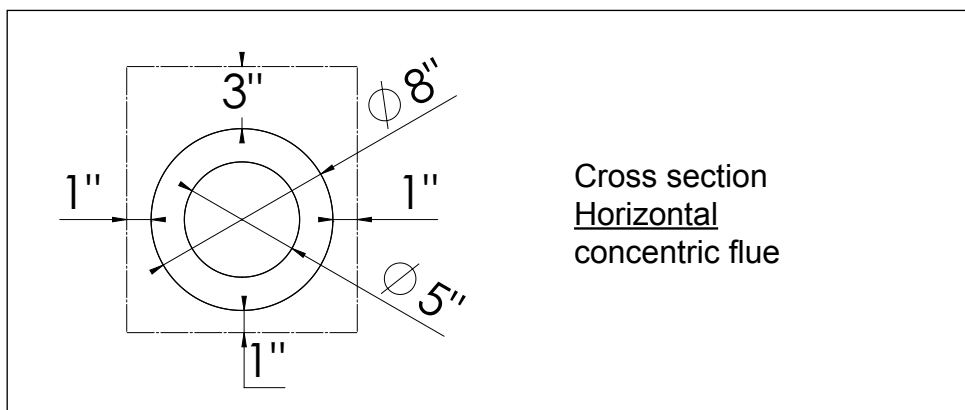
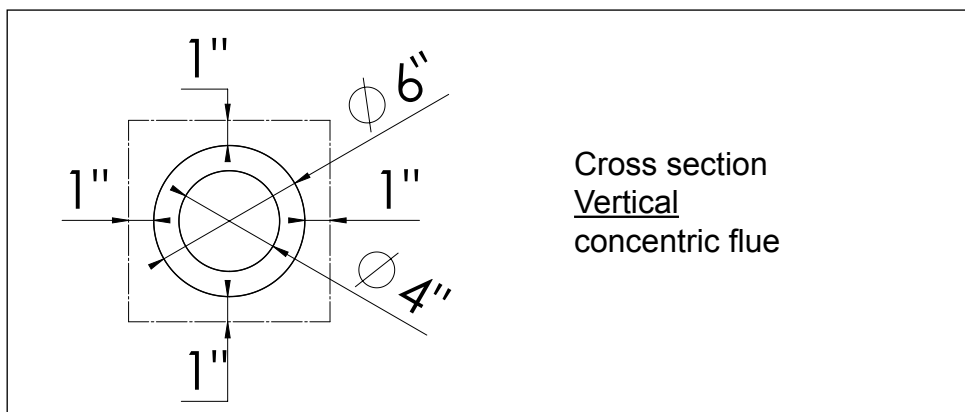
## METAL-FAB - Sure-Seal Direct Vent Products 5" x 8" - Available approved components:

<b>METAL-FAB – Sure-Seal Direct Vent Products</b> Concentric (= Co-axial) direct vent system Size Diam. (in.) : 5" x 8" Material Type : 0.012" 430 stainless steel inner wall 0.018" galvanized steel outer wall		
Item no.	Description	METAL-FAB Part no.
101	Bellfires Adapter: 5 $\frac{1}{8}$ " x 7 $\frac{7}{8}$ " to 5" x 8" Metal-Fab	5DBA
102	Horizontal Termination -Square Termination Cap	5DHT
106	6" Pipe Straight Length assembly	5D6
108	12" Pipe Straight Length assembly	5D12
109	18" Pipe Straight Length assembly	5D18
110	24" Pipe Straight Length assembly	5D24
111	36" Pipe Straight Length assembly	5D36
112	48" Pipe Straight Length assembly	5D48
114	Adjustable Length 3"-10"	5DAL
119	Elbow 45°	5D45L
121	Elbow 90°	5D90L
123	Wall support	5DWS
126	Firestop	5DFS
-	Support Plate	5DSP
-	Decorative Cover Plate	5DCP
128	Wall Thimble	5DWT
132	Vinyl Siding Stand Off	5DVS
140	Reducer: 5"x 8" to 4" x 6.5"	54DTA

## CONCENTRIC FLUE SYSTEM

### IMPORTANT:

- The direct vent gas appliances have been approved in combination with the components of the concentric flue systems listed in this installation manual, according to the CSA standards for gas appliances and may therefore be used **only** with these components. The use of a snorkel or power vent is **not** allowed.
- The components of the concentric flue system of M&G Duravent (Direct Vent Pro), Selkirk (Direct Temp) and Metal-Fab (Sure-Seal) may **not** be used together in one installation.
- Check whether the wall or roof termination kit to be used **exactly** matches one of those listed in this installation manual.
- Due to the high temperature of the outer walls (approx. 300°F 150°C), no flammable materials may be located or used in the vicinity of the flue system.
- Clearance to combustible materials:



- Do not insulate the concentric flue.
- For all other installation items; the venting must be installed according to the concentric flue manufacturer's installation instructions and local code requirements. (Which allow for installation in a combustible chase as long as a clearance to combustible requirements are met.)

# VENT INSTALLATION

## **Vertical concentric flue system in cold climates**

In cold climate conditions where temperatures go below 14°F (-10°C ), we recommend that the chase be insulated and where the concentric flue pipe enters into the attic space that the pipe be wrapped with a non-combustible insulation sleeve. This will increase the temperature of the pipe and help the appliance to vent properly in cold weather conditions.

It is also important that appliances with a vertical concentric flue system, be operated daily during the winter months. This will help to stop the roof termination from freezing up. We recommend using the thermostat room temperature setting on the remote to allow the appliance to cycle.

**IMPORTANT :** Always keep the Pilot in the ON position (burning) when the outside temperature is below freezing.

**IMPORTANT :** Do not use Silicone/RTF products, as they will create a white residue on the glass! When necessary, use an alternative direct vent sealing compound. (for example Mill-Pac Sealant)

There are two basic types of direct-vent installation:

- Horizontal termination
- Vertical termination

The combined flue gas channel and combustion air intake requires one of concentric flue system configurations as depicted in figures 9 to 14.

# VENT INSTALLATION

## RIGID CONCENTRIC FLUE 4" x 6<sup>5</sup>/<sub>8</sub>" SYSTEM CONNECTION POSSIBILITIES

Appliance: Concentric flue connection 5<sup>1</sup>/<sub>8</sub>" x 7<sup>7</sup>/<sub>8</sub>"

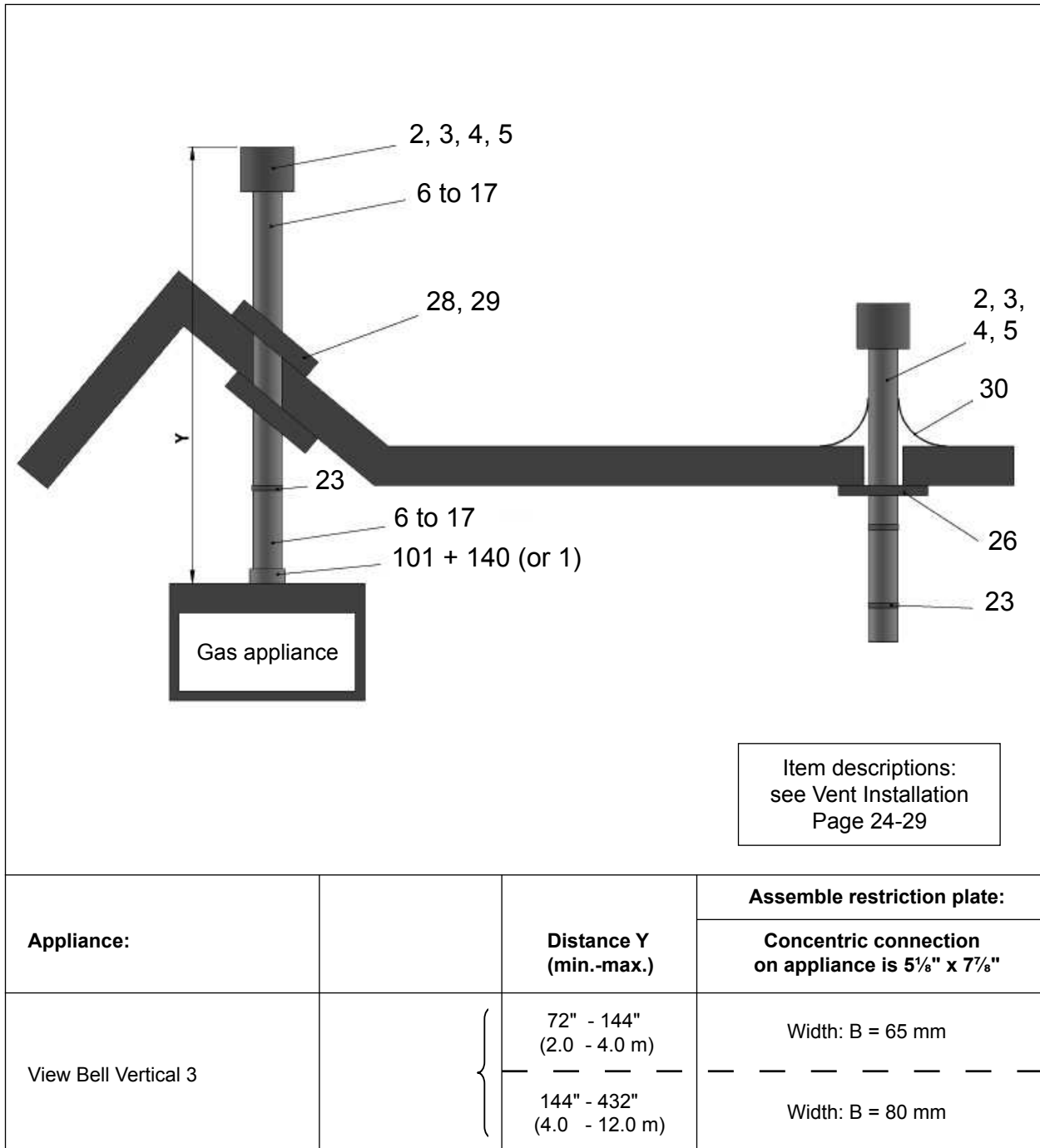


Figure 9: Vertical roof-mounted outlet without bend

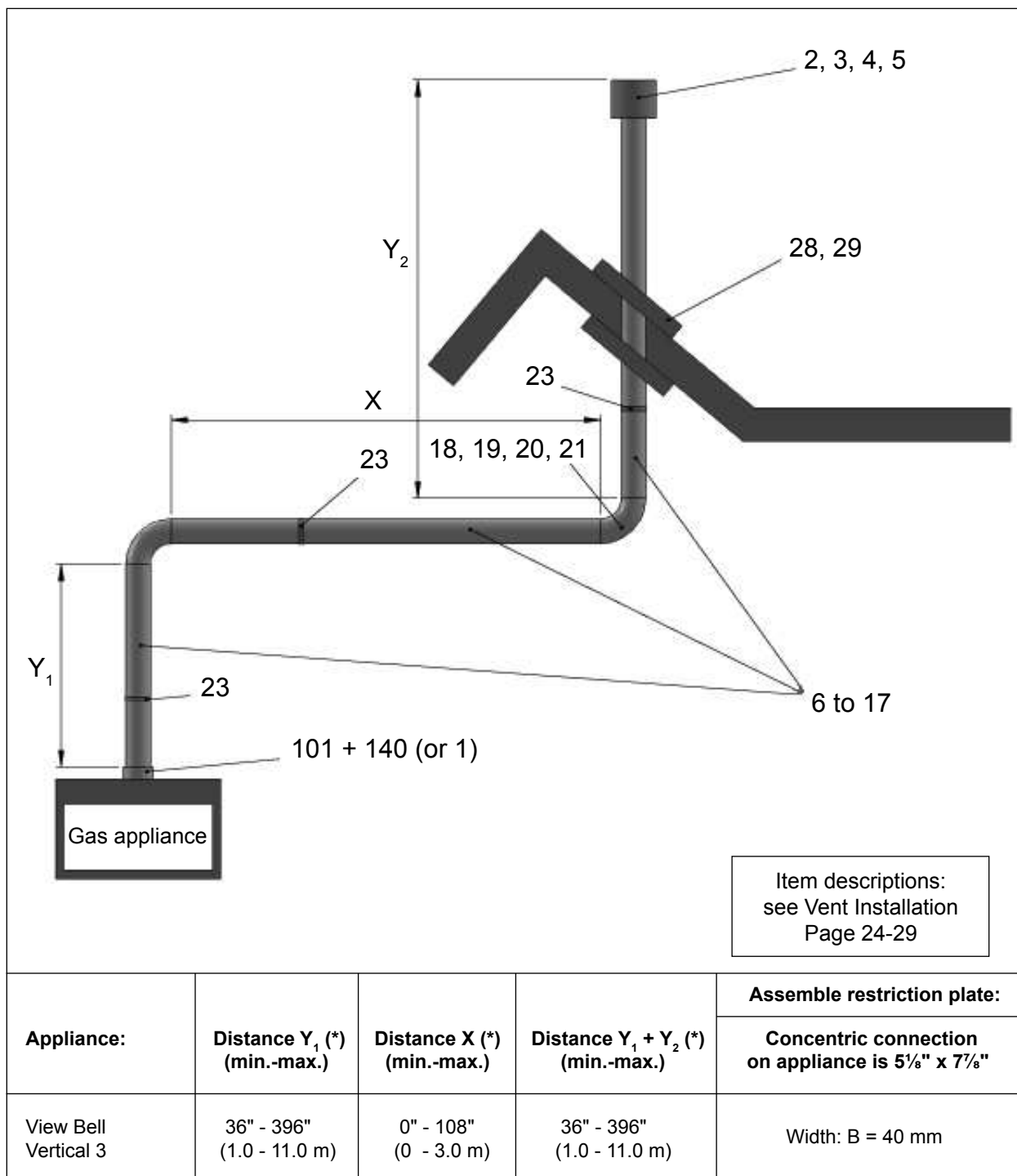
ALL SIZES INCLUDE THE LENGTH OF THE ROOF OR WALL TERMINATION



# VENT INSTALLATION

## RIGID CONCENTRIC FLUE 4" x 6<sup>5</sup>/<sub>8</sub>" SYSTEM CONNECTION POSSIBILITIES

**Appliance: Concentric flue connection 5<sup>1</sup>/<sub>8</sub>" x 7<sup>7</sup>/<sub>8</sub>"**



(\*) : (Y<sub>1</sub> + Y<sub>2</sub>) : X ≥ 2 : 1  
 (Vertical to horizontal ratio (or 45° upwards) is always at least 2 to 1)

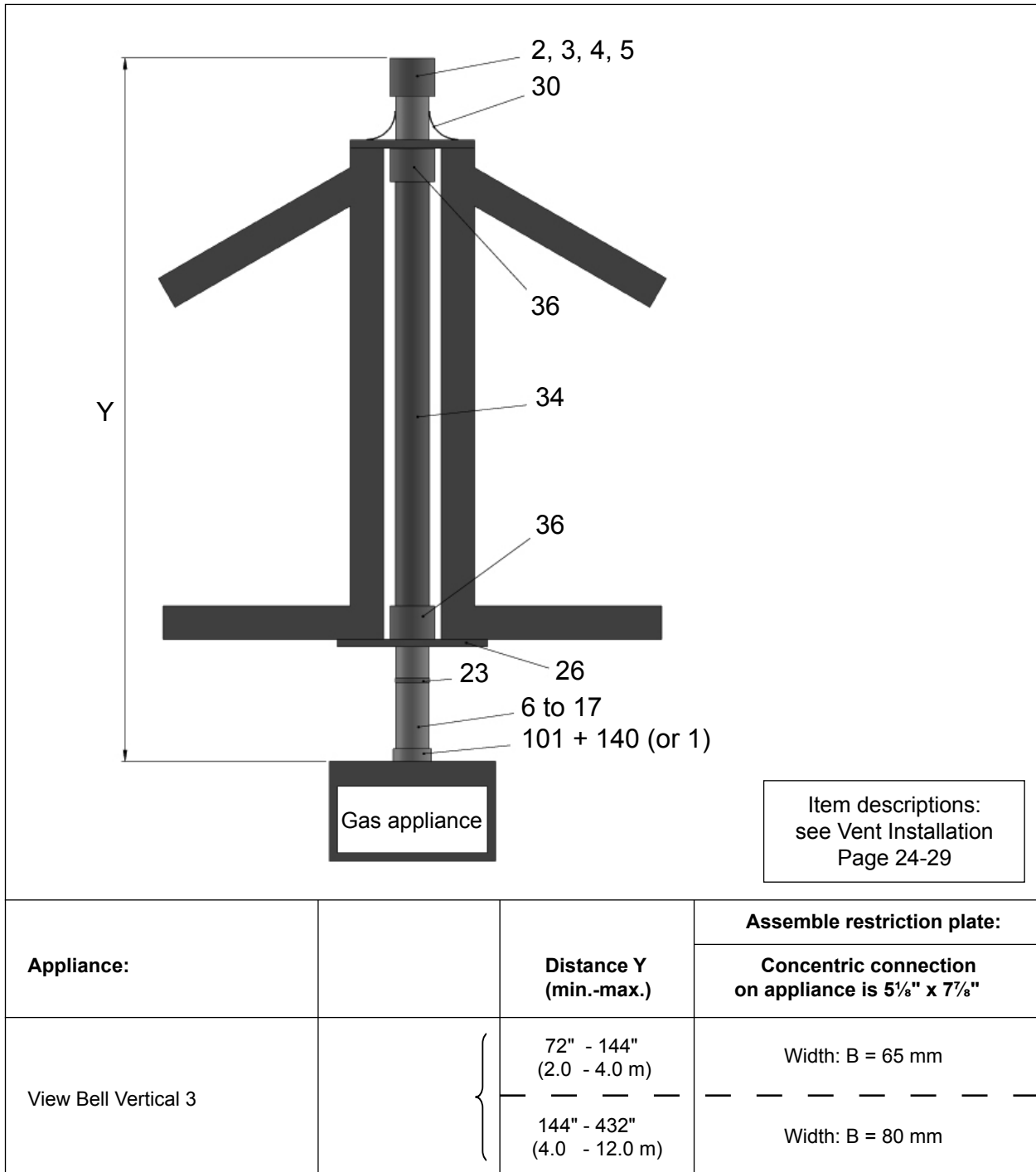
**Figure 10: Vertical roof-mounted outlet with bend**

ALL SIZES INCLUDE THE LENGTH OF THE ROOF OR WALL TERMINATION

# VENT INSTALLATION

## FLEXIBLE CONCENTRIC FLUE 4" x 6<sup>5</sup>/<sub>8</sub>" SYSTEM CONNECTION POSSIBILITIES

Appliance: Concentric flue connection 5<sup>1</sup>/<sub>8</sub>" x 7<sup>7</sup>/<sub>8</sub>"



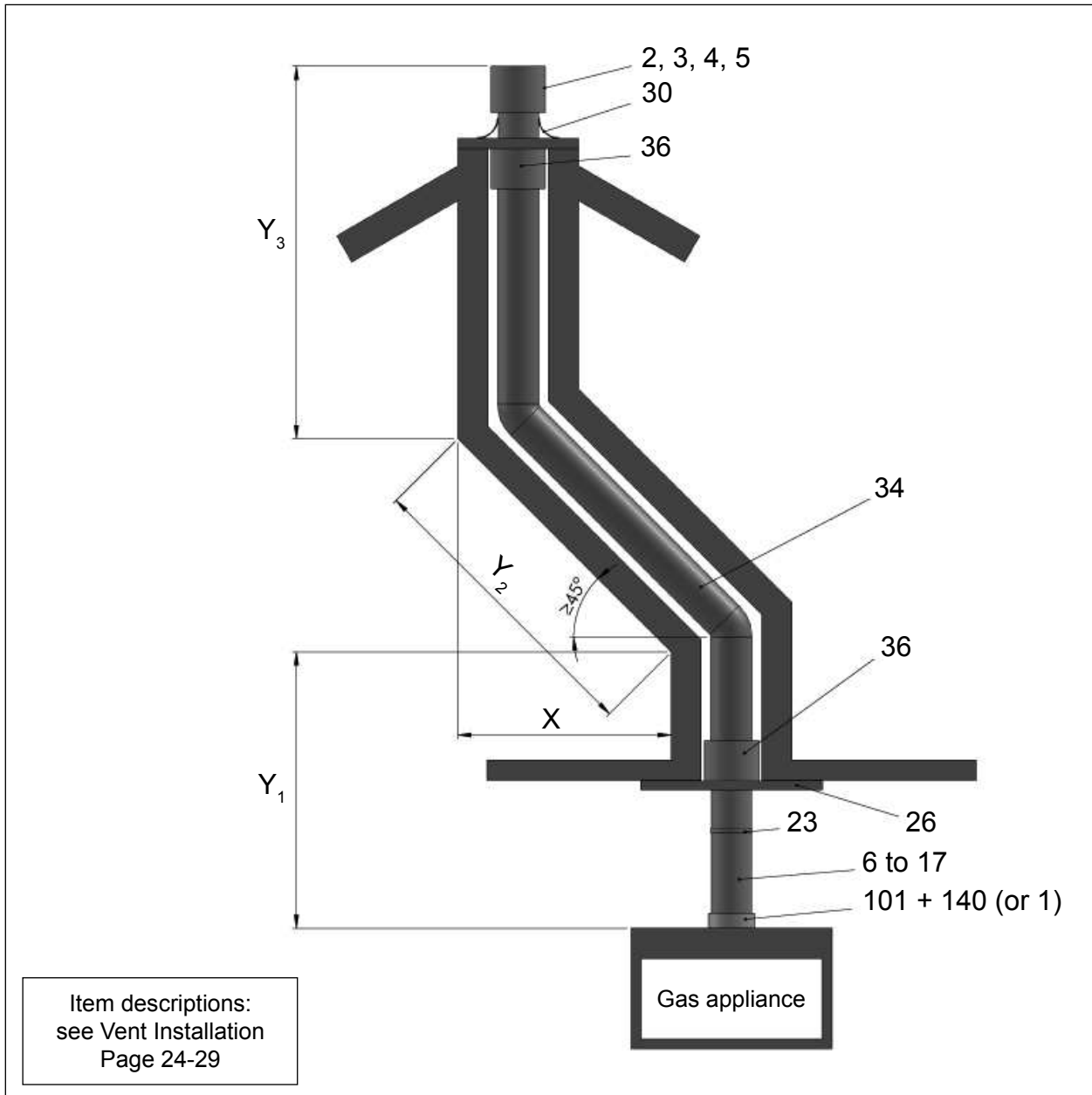
**Figure 11: Vertical chimney outlet using an existing lined chimney**  
(Flexible 4" and/or rigid 4" x 6<sup>5</sup>/<sub>8</sub>" )

ALL SIZES INCLUDE THE LENGTH OF THE ROOF OR WALL TERMINATION

# VENT INSTALLATION

## FLEXIBLE CONCENTRIC FLUE 4" x 6<sup>5</sup>/<sub>8</sub>" SYSTEM CONNECTION POSSIBILITIES

Appliance: Concentric flue connection 5<sup>1</sup>/<sub>8</sub>" x 7<sup>7</sup>/<sub>8</sub>"



Appliance:	Distance Y <sub>1</sub> (*) (min.-max.)	Distance X (*) (min.-max.)	Distance Y <sub>1</sub> +Y <sub>2</sub> +Y <sub>3</sub> (*) (min.-max.)	Assemble restriction plate:
				Concentric connection on appliance is 5 <sup>1</sup> / <sub>8</sub> " x 7 <sup>7</sup> / <sub>8</sub> "
View Bell Vertical 3	36" - 396" (1.0 - 11.0 m)	0" - 108" (0 - 3.0 m)	36" - 396" (1.0 - 11.0 m)	Width: B = 40 mm

(\*): (Y<sub>1</sub> + Y<sub>2</sub> + Y<sub>3</sub>) : X ≥ 2 : 1

(Vertical to horizontal ratio (or 45° upwards) is always at least 2 to 1)

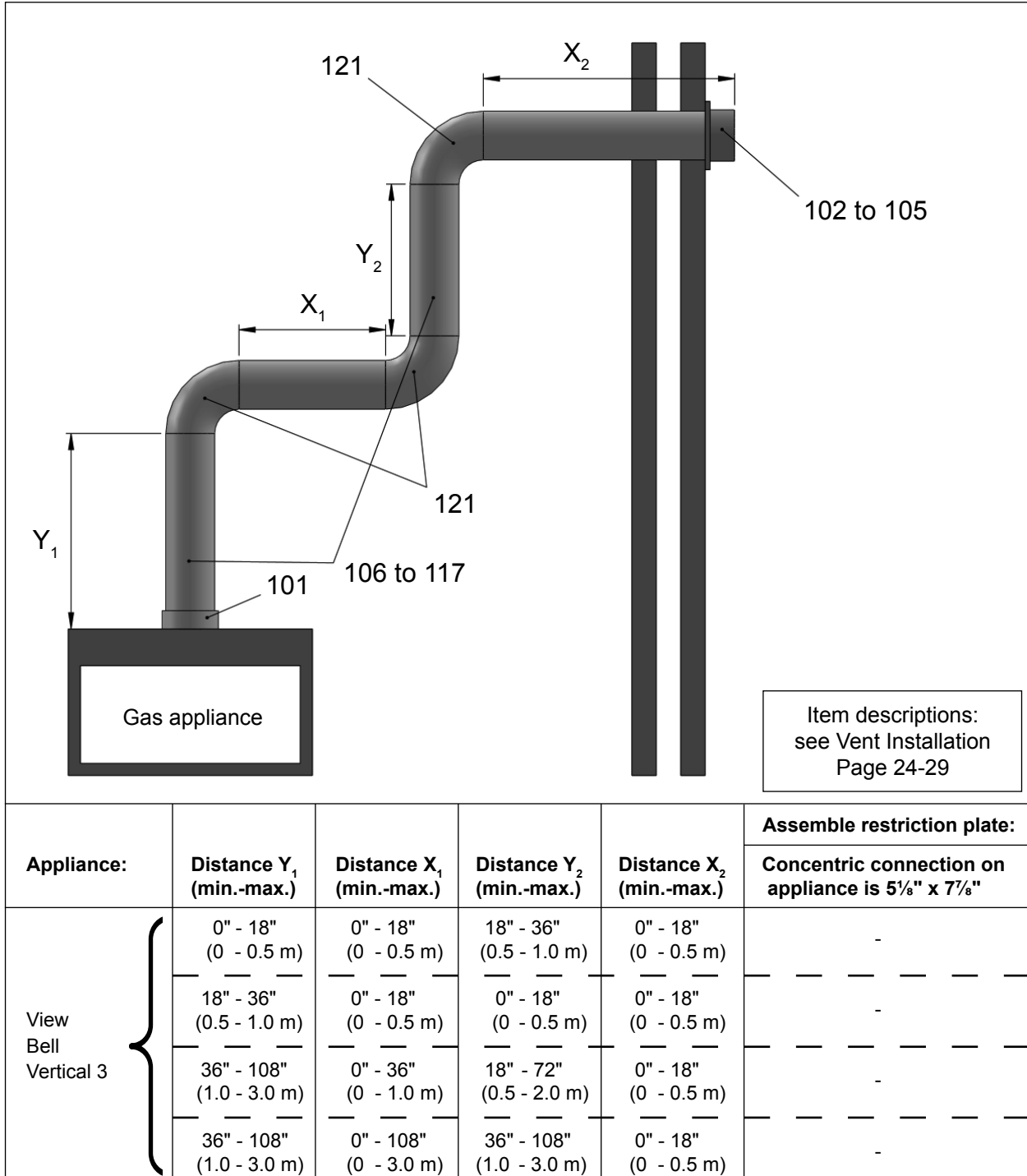
**Figure 12: Vertical chimney outlet using a lined chimney with a bend ≥ 45°**  
(Flexible 4" and/or rigid 4" x 6<sup>5</sup>/<sub>8</sub>" )

ALL SIZES INCLUDE THE LENGTH OF THE ROOF OR WALL TERMINATION

# VENT INSTALLATION

## RIGID CONCENTRIC FLUE 5" x 8" SYSTEM CONNECTION POSSIBILITIES and with wall outlet 5" x 8"

**Appliance: Concentric flue connection 5 1/8" x 7 7/8"**



**Figure 13: Horizontal wall termination**

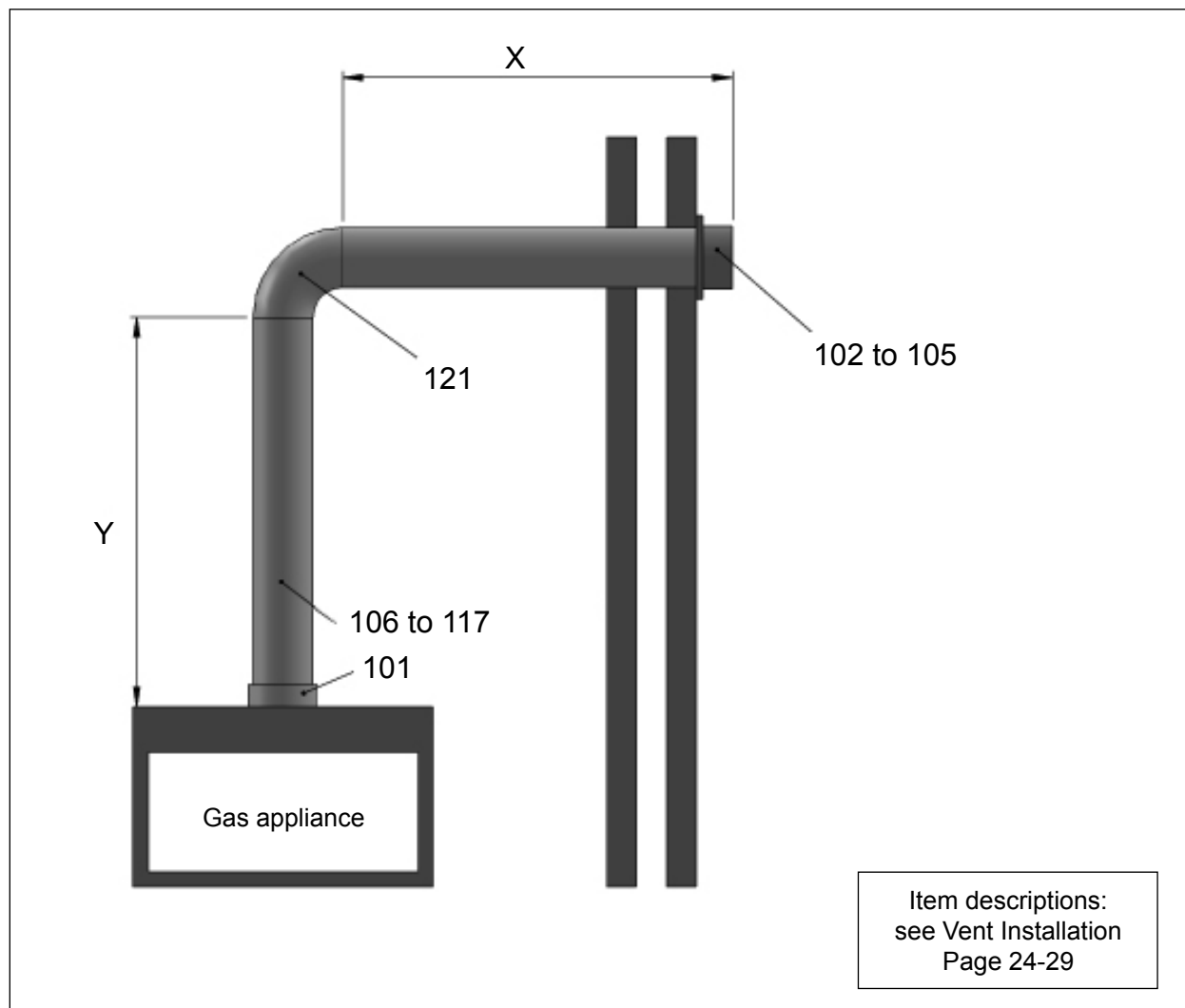
ALL SIZES INCLUDE THE LENGTH OF THE ROOF OR WALL TERMINATION

**IMPORTANT :** For propane appliances: Always use a minimum of 12" rise (= 12" pipe length of 5" x 8") on top of the unit first, before working further according to the table above.

# VENT INSTALLATION

## **RIGID CONCENTRIC FLUE 5" x 8" SYSTEM CONNECTION** **POSSIBILITIES and with wall outlet Ø5" x Ø8"**

**Appliance: Concentric flue connection 5 1/8" x 7 7/8"**



Appliance:	Distance Y (min.-max.)	Distance X (min.-max.)	Assemble restriction plate:
			Concentric connection on appliance is 5 1/8" x 7 7/8"
View Bell Vertical 3	0" - 18" (0 - 0.5 m)	0" - 18" (0 - 0.5 m)	-
	18" - 108" (0.5 - 3.0 m)	0" - 162" (0 - 4.5 m)	-

**Figure 14: Horizontal wall termination**

ALL SIZES INCLUDE THE LENGTH OF THE ROOF OR WALL TERMINATION

**IMPORTANT :** For propane appliances: Always use a minimum of 12" rise (= 12" pipe length of 5" x 8") on top of the unit first, before working further according to the table above.

## POSITIONING THE APPLIANCE

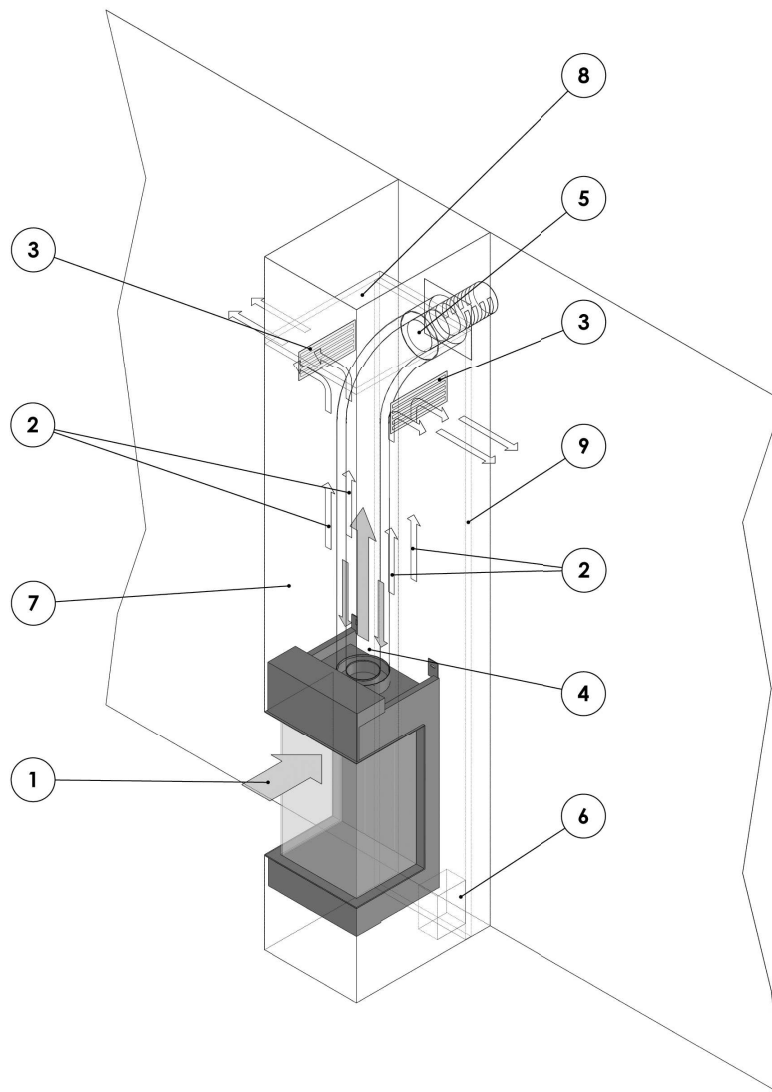
### IMPORTANT:

- The appliance must be constructed on a sufficiently solid floor that can bear the weight of the appliance.
  - Ensure a free space of at least ½" (1 cm) between the bottom of the appliance and the floor.
  - Ensure that the temperature of the floor under and in front of the appliance can never rise above 185 °F (85°C)! Make use of a temperature protection plate; Hearth (of noncombustible material) on the floor if necessary.
  - Take care with a floor made of a combustible material.
  - Refer for the minimum clearances to (non)combustible material to the "CLEARANCES" chapter elsewhere in this manual.
  - Fit the separate operating unit, where the gas regulator block and receiver will be placed, on **MAXIMUM 20" (50 cm)** from either side of the appliance.
- 
- Never position the appliance directly against the rear wall, but always in accordance with the installation instructions in chapter; "CLEARANCES". Use only the specified insulation plates!
  - Never use combustible materials during the installation.
  - Ventilate the fireplace, by allowing vents above the fireplace.
  - During installation of the appliance, a clearance of ⅛" (3 mm) should be maintained on all sides of the appliance to allow for expansion of the appliance during operation.
  - Do not insulate the appliance! Only the top and sides may be fitted with a strip of white, loose insulation wool (heat-resistant to 1832°F (1000°C)), width 6" (15 cm) max. to protect the wall.
  - Do not use fibreglass or Rockwool, or any other sort of insulating material. These emit a pungent odour. This is considered extremely unpleasant. They may also cause discolouring of the column.
  - Flammable materials, such as curtains, should not be placed in the vicinity of the appliance. Minimum safe distance: 40" (100 cm).  
See also chapter; "CLEARANCES".



The appliance can be easily installed using a set of carrying brackets (accessory).  
After installing: remove carrying brackets!

# POSITIONING THE APPLIANCE



**Figure 15: BUILT-IN APPLIANCE:  
Appliance installed in ventilated chimney breast / Enclosure  
Horizontal outlet of the flue gas exhaust / combustion air supply  
via the wall**

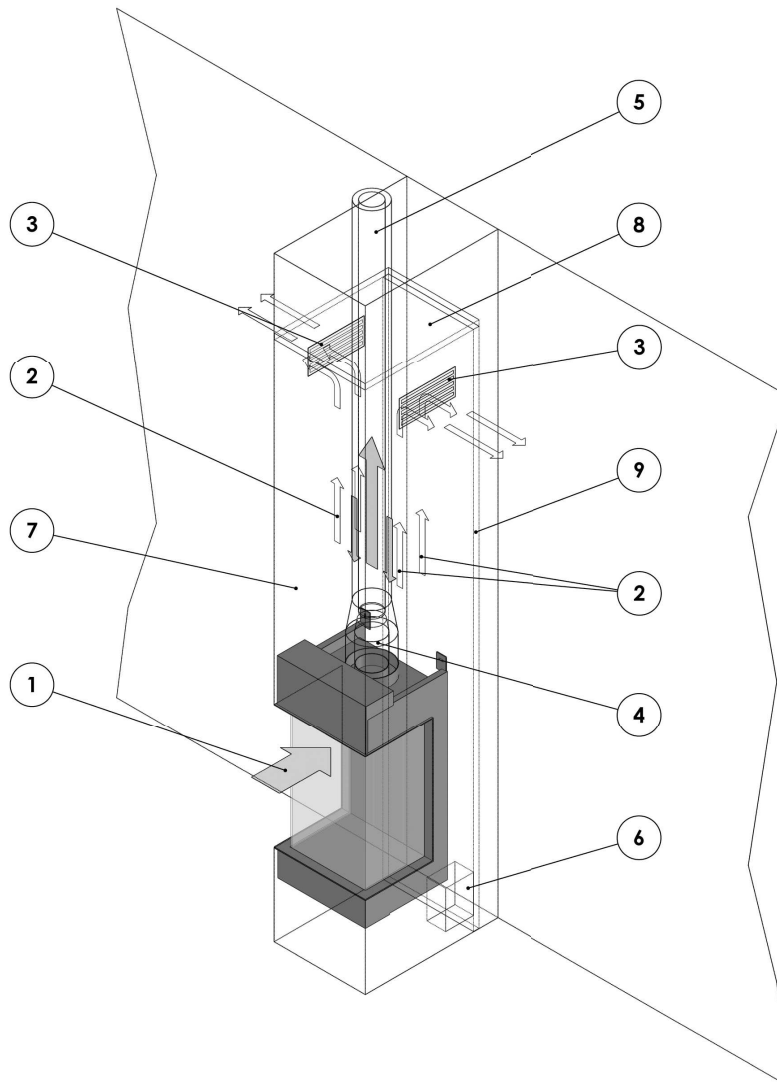
- **Fitted with the accessory: high adjustable feet**

- 1 Inlet opening (appliance) convection air for chimney breast/Enclosure
- 2 Natural convection in the chimney breast/Enclosure
- 3 Outlet opening (chimney breast/Enclosure) convection air. Total minimal required: 46 in<sup>2</sup> (300 cm<sup>2</sup>)
- 4 Concentric flue connection appliance; 5<sup>1</sup>/<sub>8</sub>" x 7<sup>7</sup>/<sub>8</sub>", with an adapter:  
Bellfires 5<sup>1</sup>/<sub>8</sub>" x 7<sup>7</sup>/<sub>8</sub>" to 5" x 8" (See available approved components)  
for a horizontal wall outlet
- 5 Concentric flue system; 5" x 8" with a horizontal wall outlet
- 6 Built in operating unit with gas regulator block and receiver
- 7 Chimney breast/Enclosure (\*)
- 8 False ceiling (\*)
- 9 False back wall (\*)

(\*) Made of a non-combustible insulation plate/board, according the material specifications in the Chapter: CLEARANCES.

**IMPORTANT:** Install the appliance and the insulation plate/board according to the Chapter: CLEARANCES.

# POSITIONING THE APPLIANCE



**Figure 16: BUILT-IN APPLIANCE:**  
**Appliance installed in ventilated chimney breast / Enclosure**  
**Vertical outlet of the flue gas exhaust/combustion air supply via the roof**  
• **Fitted with the accessory: high adjustable feet**

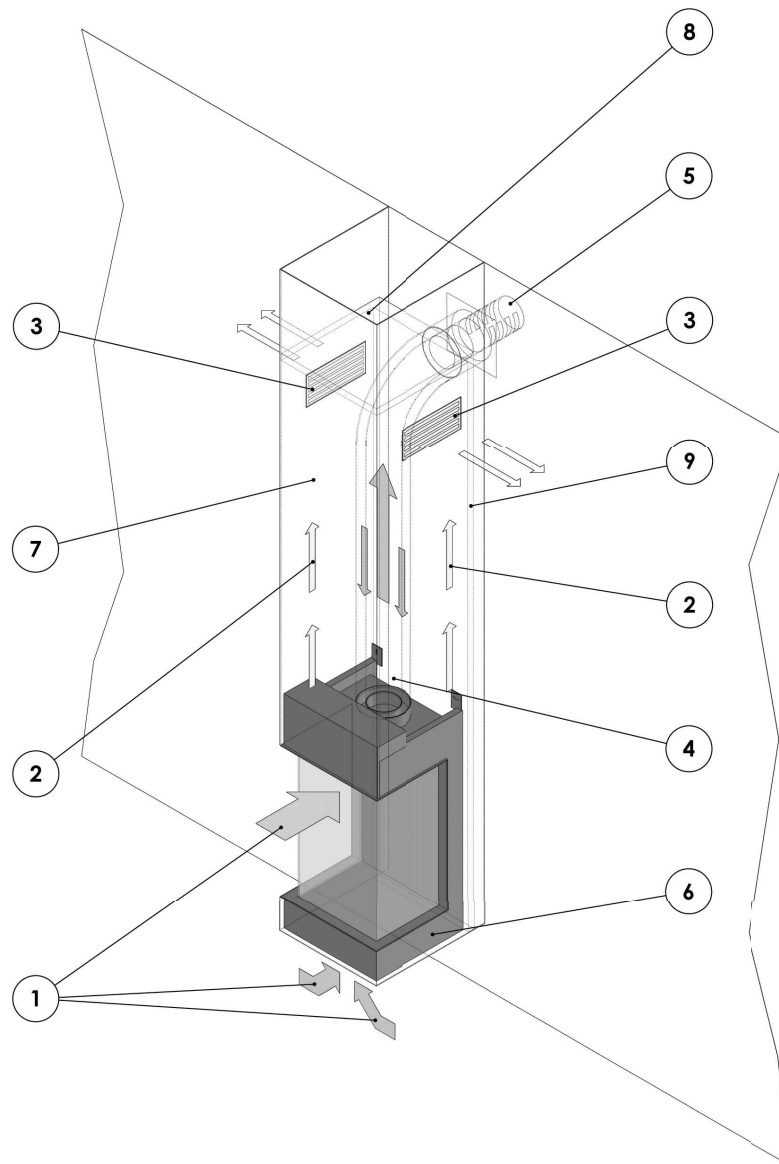
- 1 Inlet opening (appliance) convection air for chimney breast / Enclosure
- 2 Natural convection in the chimney breast / Enclosure
- 3 Outlet opening (chimney breast/Enclosure) convection air. Total minimal required: 46 in<sup>2</sup> (300 cm<sup>2</sup>)
- 4 Concentric flue connection appliance; 5<sup>1</sup>/<sub>8</sub>" x 7<sup>7</sup>/<sub>8</sub>", with an adapter:  
Bellfires 5<sup>1</sup>/<sub>8</sub>" x 7<sup>7</sup>/<sub>8</sub>" to 5" x 8" (See available approved components)  
then a reducer: 5" x 8" to 4" x 6<sup>5</sup>/<sub>8</sub>" (See available approved components)  
for a vertical roof outlet
- 5 Concentric flue system; 4" x 6<sup>5</sup>/<sub>8</sub>" for a vertical roof outlet
- 6 Built in operating unit with gas regulator block and receiver
- 7 Chimney breast / Enclosure (\*)
- 8 False ceiling (\*)
- 9 False back wall (\*)

(\*) Made of a non-combustible insulation plate/board, according the material specifications in the Chapter: CLEARANCES.

**IMPORTANT:** Install the appliance and the insulation plate/board according to the Chapter: CLEARANCES.



# POSITIONING THE APPLIANCE



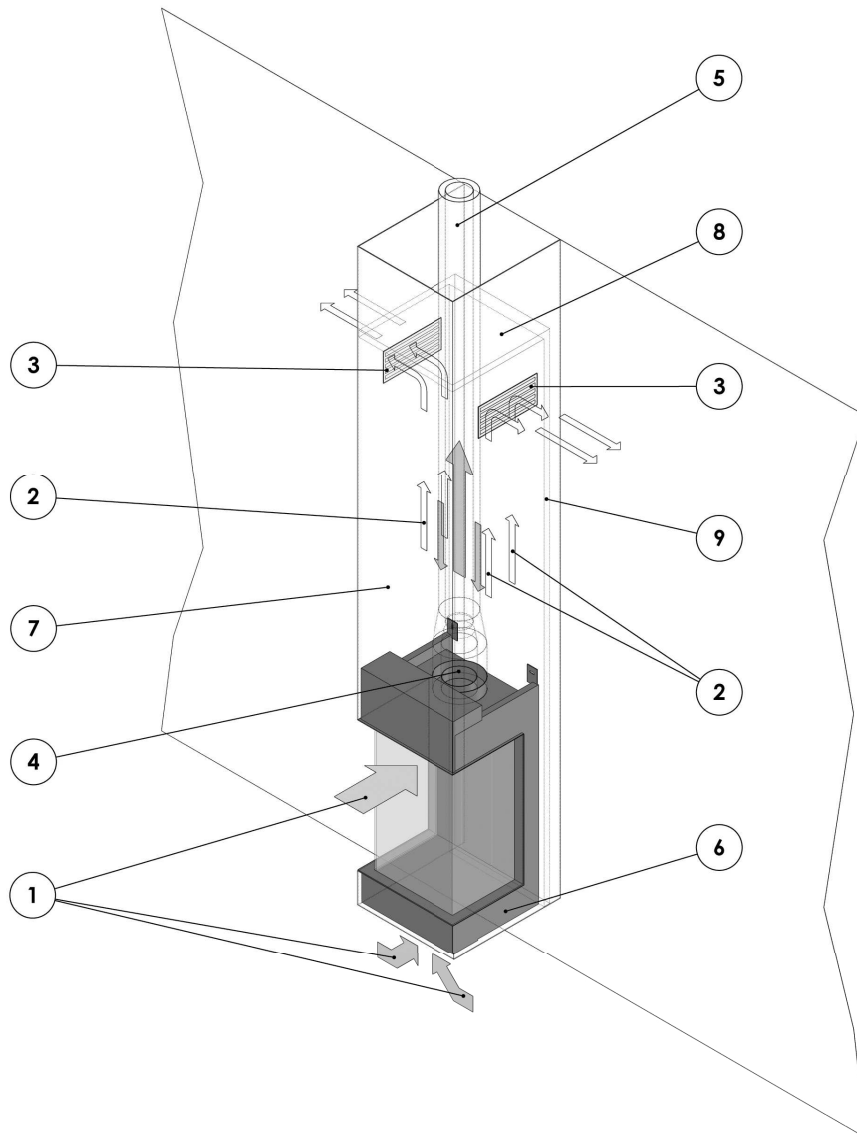
**Figure 17: WALL-MOUNTED APPLIANCE:  
Appliance with ventilated cove  
Horizontal outlet of the flue gas exhaust/combustion air supply via the wall**

- 1 Inlet opening (appliance) convection air for Cove / Enclosure
- 2 Natural convection in the Cove / Enclosure
- 3 Outlet opening (Cove / Enclosure) convection air. Total minimal required: 46 in<sup>2</sup> (300 cm<sup>2</sup>)
- 4 Concentric flue connection appliance; 5<sup>1</sup>/<sub>8</sub>" x 7<sup>7</sup>/<sub>8</sub>", with an adapter:  
Bellfires 5<sup>1</sup>/<sub>8</sub>" x 7<sup>7</sup>/<sub>8</sub>" to 5" x 8" (See available approved components)  
for a horizontal wall outlet
- 5 Concentric flue system; 5" x 8" with a horizontal wall outlet
- 6 Position gas regulator block and receiver underneath the appliance
- 7 Cove / Enclosure (\*)
- 8 False ceiling (\*)
- 9 False back wall (\*)

(\*) Made of a non-combustible insulation plate/board, according the material specifications in the Chapter: CLEARANCES.

**IMPORTANT:** Install the appliance and the insulation plate/board according to the Chapter: CLEARANCES.

# POSITIONING THE APPLIANCE



**Figure 18: WALL-MOUNTED APPLIANCE:  
Appliance with ventilated cove  
Vertical outlet of the flue gas exhaust/combustion air supply via the roof**

- 1 Inlet opening (appliance) convection air for Cove / Enclosure
- 2 Natural convection in the Cove / Enclosure
- 3 Outlet opening (Cove / Enclosure) convection air. Total minimal required: 46 in<sup>2</sup> (300 cm<sup>2</sup>)
- 4 Concentric flue connection appliance; 5<sup>1</sup>/<sub>8</sub>" x 7<sup>7</sup>/<sub>8</sub>", with an adapter:  
Bellfires 5<sup>1</sup>/<sub>8</sub>" x 7<sup>7</sup>/<sub>8</sub>" to 5" x 8" (See available approved components)  
then a reducer: 5" x 8" to 4" x 6<sup>5</sup>/<sub>8</sub>" (See available approved components)  
for a vertical roof outlet
- 5 Concentric flue system; 4" x 6<sup>5</sup>/<sub>8</sub>" for a vertical roof outlet
- 6 Position gas regulator block and receiver underneath the appliance
- 7 Cove / Enclosure (\*)
- 8 False ceiling (\*)
- 9 False back wall (\*)

(\*) Made of a non-combustible insulation plate/board, according the material specifications in the Chapter: CLEARANCES.

**IMPORTANT:** Install the appliance and the insulation plate/board according to the Chapter: CLEARANCES.

# POSITIONING THE APPLIANCE

## BUILT-IN APPLIANCE: Fitting the appliance

When fitting the appliance, it can be levelled with the adjustable feet. These adjustable feet can be reached via the openings (4x), after removing the protective covers, in the corners of the floor of the combustion chamber. The floor of the combustion chamber can be reached after the window and the grill around the burner have been removed (see chapter: "DISMANTLING / ASSEMBLING OF THE GLASS"). Using an Allenkey (no. 5), the appliance can be adjusted to the required height.

## IMPORTANT:

Press the 4 protecting covers back into the floor.



Press the 4 protecting covers back into the floor.



- Position 4 protecting covers.



- Protecting cover.



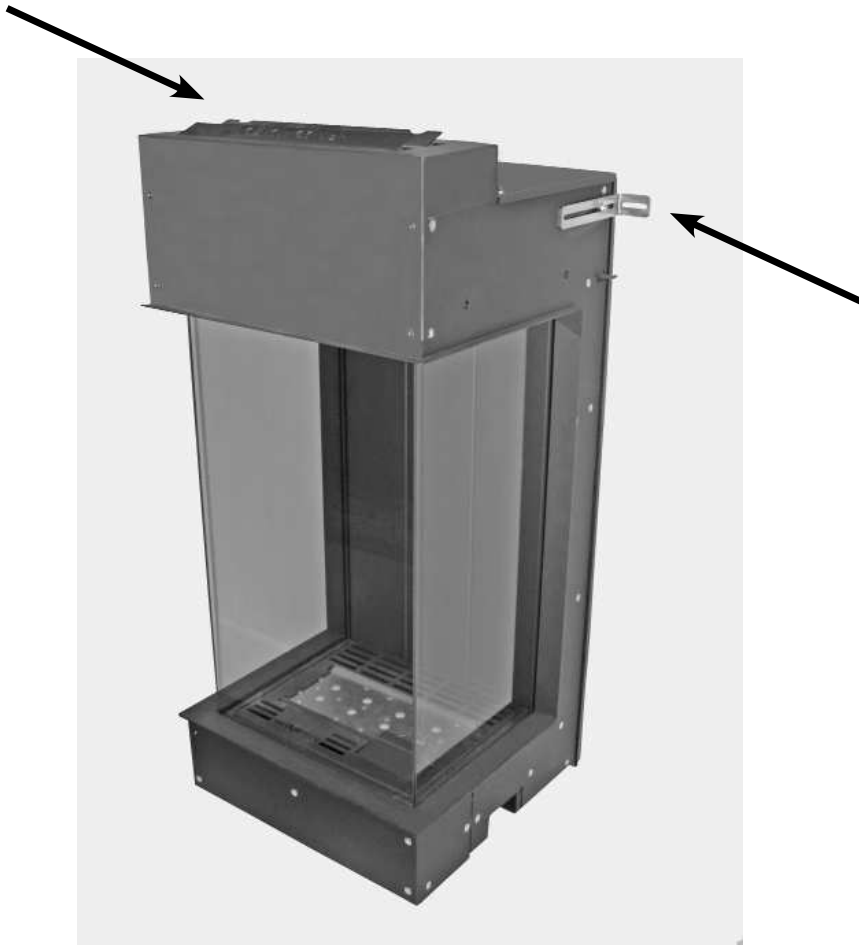
- Adjustable feet seen from the bottom of the appliance.



- Adjust height with Allenkey no. 5.

## POSITIONING THE APPLIANCE

- Position the gas supply pipe such that it can be easily mounted after installation. Because the control system is outside the appliance, the gas pipe must lead to where the operating unit (built in), the gas regulator block (and the receiver) assembly are fitted.
- Position the appliance in accordance with the installation instructions in chapter; CLEARANCES. Use only the specified insulation plates.
- Attach the appliance to the rear wall with 2 wedge bolts. Use the adjustable mounting brackets at the side of the appliance for this.



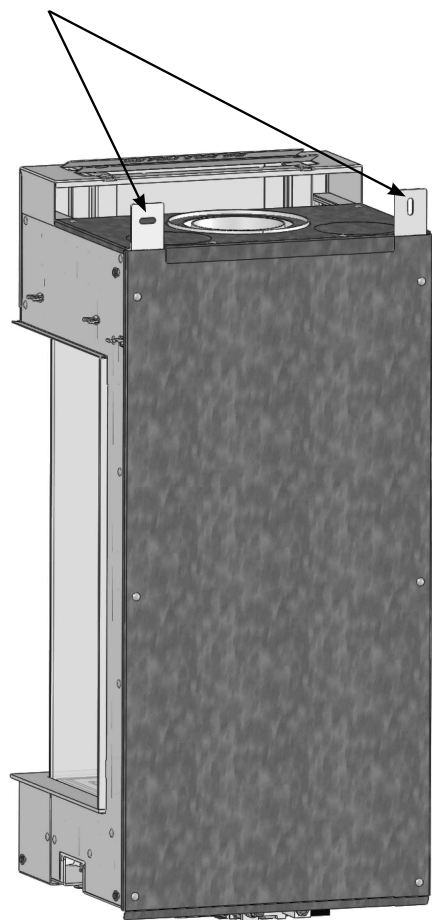
- 2x Mounting bracket.

# POSITIONING THE APPLIANCE

## WALL-MOUNTED APPLIANCE: Suspending the appliance

- Position the gas supply pipe so that it can be easily fitted after hanging the appliance.
- Position the appliance in accordance with the installation instructions in chapter; "CLEARANCES". Use only the specified insulation plates.
- Fix the appliance to the wall using 2x  $\text{Ø}^{5/16}$ " ( $\text{Ø}8$  mm) screws/expanding bolts.
- Ensure that the appliance is hanging level and that the concentric exhaust vent / combustion air supply connection of the appliance is in perfect alignment with the hole in the ceiling or wall !

2x Mounting openings: 0.33" x 1.0" (8.5 x 25 mm)



**Figure 19: Mounting openings (2x)  
Rear Wall-mounted appliance**

# GAS LINE INSTALLATION

## WARNING:

Connection of the appliance to gas supply must be performed by a qualified installer, service agency or the gas supplier. Follow the local codes.

## IMPORTANT:

During gas connection, take care not to twist the gas regulator block. Make sure that both the gas regulator block and the supply pipes are not subjected to stresses.

### Gas connection:

Built-in appliance: Operation (gas regulator block (and receiver)) **outside** the appliance (in the operating unit):

The gas connection  $\frac{3}{8}$ " NPT is situated where the operating- unit is built in near to the appliance.

Wall-mounted appliance: Operation (gas regulator block (and receiver)) **under** the appliance:

The gas connection  $\frac{3}{8}$ " NPT is situated on the underside of the appliance.

### BUILT-IN APPLIANCE - Gas connection operating unit

The appliance is supplied with a built-in operating unit.

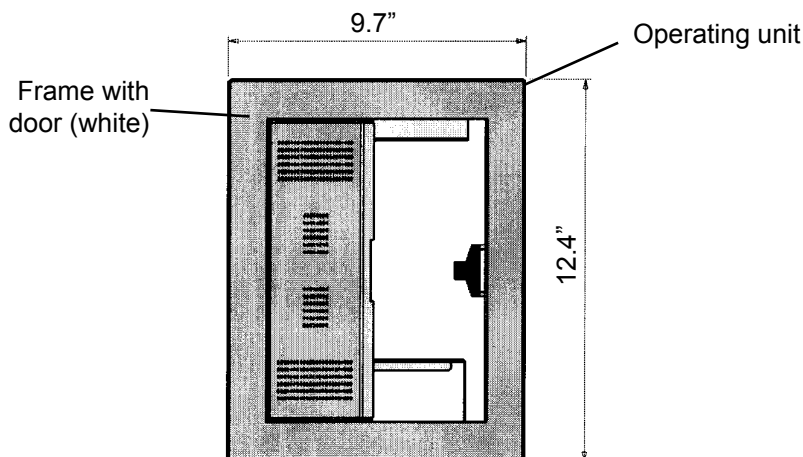


Figure 20: Operating unit

# GAS LINE INSTALLATION

Remove the decorative edging and door of the operating unit. Fit the separate operating unit, where the gas regulator block and receiver will be placed, on MAXIMUM 20" (50 cm) from either side of the appliance.

The burner, gas regulator block and receiver have been fully factory assembled.

Disconnect the bracket with the gas regulator block and receiver from the appliance. Carefully move the bracket with the gas regulator block, receiver, pipes and cables to the operating unit. Mount the bracket at the bottom of the operating unit.

## IMPORTANT:

**Take care that no pipes get damaged and no compression fittings come loose when moving the gas regulator block. Prevent twisting the flexible pipes! Check all compression fittings for leaks afterwards!**

Mount the receiver in the top of the operating unit. Check afterwards that all electric connections are properly connected.

Route all piping and cables from the operating unit to the appliance through an easily accessible hollow cavity. During subsequent installation of the operating unit, protect the gas regulator block and piping against encasement by cement etc.

**Note:** When the installation of the built-in operating unit is not possible; one can place the gas regulator block and receiver under the appliance.

**Important:**

- Keep a minimal distance of 4" (10 cm) between the gas regulator block/receiver and the bottom of the appliance.
- Attach the gas regulator block fixed to the wall/floor.
- Gas regulator block and receiver must always be accessible for maintenance.

The gas line connection can be made using ½" rigid tubing or an approved flex connector. Since some municipalities have additional local codes it is always best to consult your local authorities and the current edition of CSA-B149 (1 or 2) Installation Code.

A CSA design-certified equipment shutoff valve must be installed upstream of the appliance. Contact your dealer for the purchase of CSA design-certified equipment shutoff valve. The gas regulator block is equipped with a screw type pressure test point (inlet pressure tap in figure 23). Therefore it is not necessary to provide a ⅛" test point up stream of the control.

The CSA design-certified shutoff valve (main gas valve) must be installed in an accessible location. This main gas valve is used for opening or closing off the gasflow to the appliance.

# GAS LINE INSTALLATION

## **IMPORTANT:**

**Cement and chalk can damage the piping and can, in turn, lead to gas leaks.**

Disassembly and assembly of pipes and cables:

If necessary for mounting, all pipe compression fittings and cable connectors can be temporarily disassembled. After mounting, carefully reassemble all pipes and cables. Check afterwards all compression fittings for leaks and that all electric connections are properly connected.

## **IMPORTANT:**

**Screw the thermocouple connection (and thermocouple interrupter) manually into the gas regulator block. Afterwards, carefully fasten a half turn with a spanner.**

**Note:** Check that the flexible burner pipes are correctly connected! The gas connection of the gas valve “rear burner” must be connected to the “rear burner”!  
See figure 21 and Chapter; DIAGRAM ELECTRICITY AND GAS.

Switching over the flexible burner pipes during assembly can lead to an explosive ignition. Prevent this at all costs!

The appliance must not be subjected to any test pressures exceeding  $\frac{1}{2}$  psi (= 3.45 kPa = 34.5 mbar). Isolate or disconnect this and any other gas appliance control from the gas line when pressure testing.

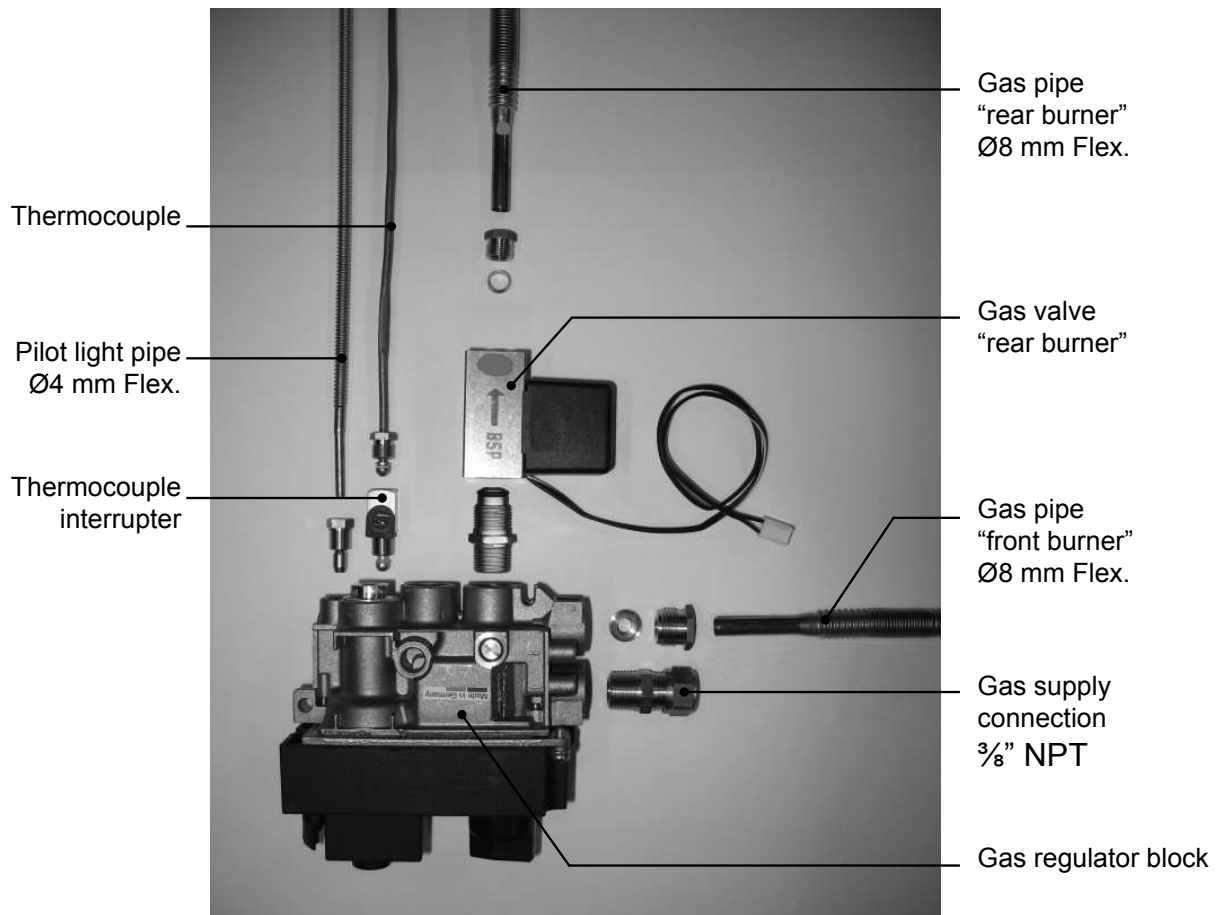
After connection of the gas supply, check that all connections are completely gas tight using soapy water (mixture of 50/50 water and soap solution) or a leak tester.

WALL-MOUNTED-APPLIANCE - Gas connection under the appliance

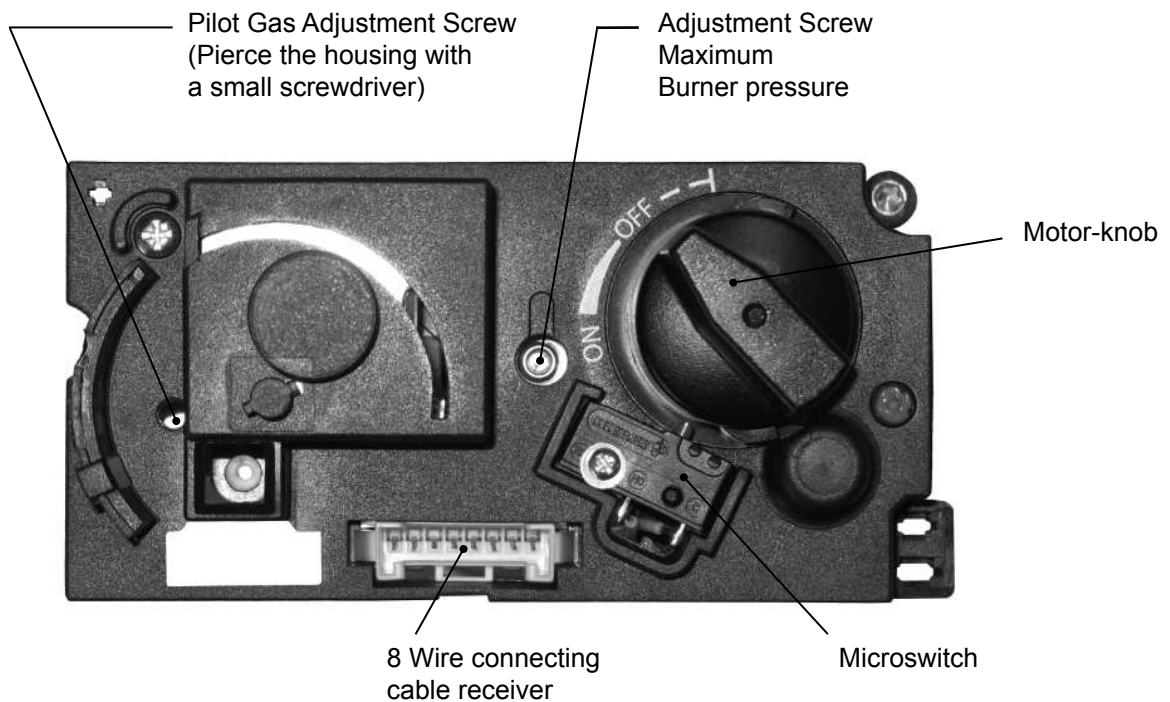
All installation conditions are entirely identical to those of the BUILD-IN model. Except that there is no built-in operating unit, because the gas regulator block and receiver are located underneath the appliance.



# GAS LINE INSTALLATION

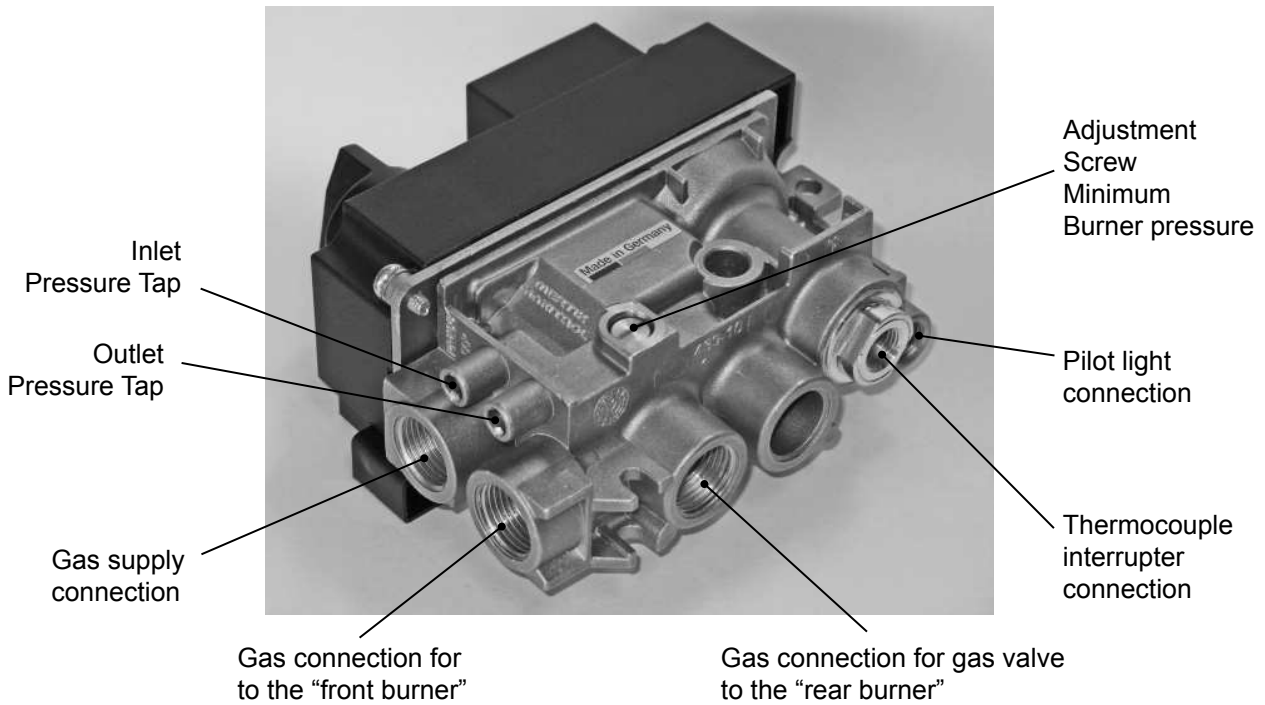


**Figure 21: Gas regulator block and gas valve: Gas and thermocouple connections**

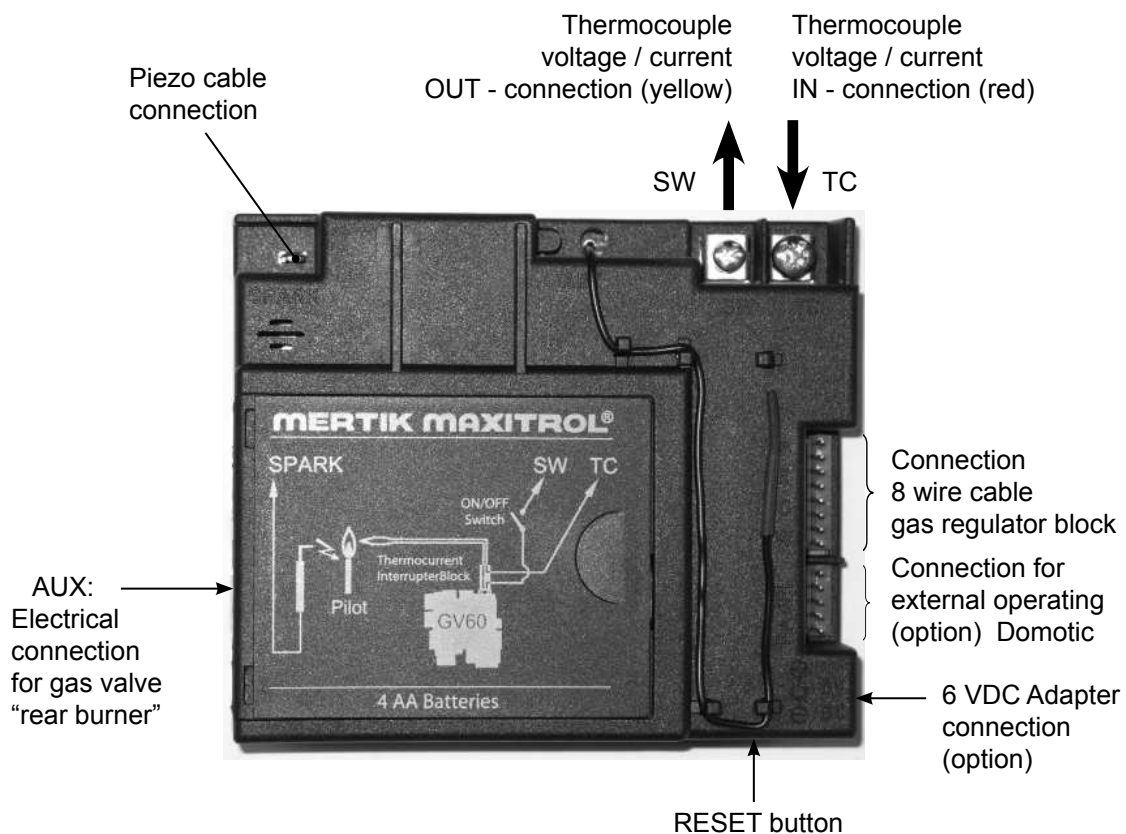


**Figure 22: Gas regulator block - Front**

# GAS LINE INSTALLATION



**Figure 23: Gas regulator block - Rear**



**Figure 24: Receiver - Top**

# GAS LINE INSTALLATION



**Figure 25: Receiver - AUX connection - RESET button**

## BUILDING IN / HANGING OF THE APPLIANCE

### Connecting the concentric flue

Assemble the concentric direct vent system according to one of the examples in figure 9 to 14 inclusive.

Make sure that all connections are completely gas tight.

### Building in the appliance

Remove the front of the casing, if applicable. (See Chapter: DISMANTLING / ASSEMBLING OF THE GLASS.)

Decide on positions of the convection vents (openings/grids above the fireplace).

The brickwork must be built up around the appliance. In connection with the appliance expanding during burning: there must be at least  $\frac{1}{8}$ " (3 mm) clearance on either side of the appliance. Do not build up the brickwork farther than the angle irons/brackets (keep in mind the thickness of any plastering!).

## **IMPORTANT:**

**Do not use masking tape on the appliance when installing and plastering. Tape can damage the finish of the appliance.**

If using other materials, such as stone or heat-resistant plating, you should follow the supplier's instructions.

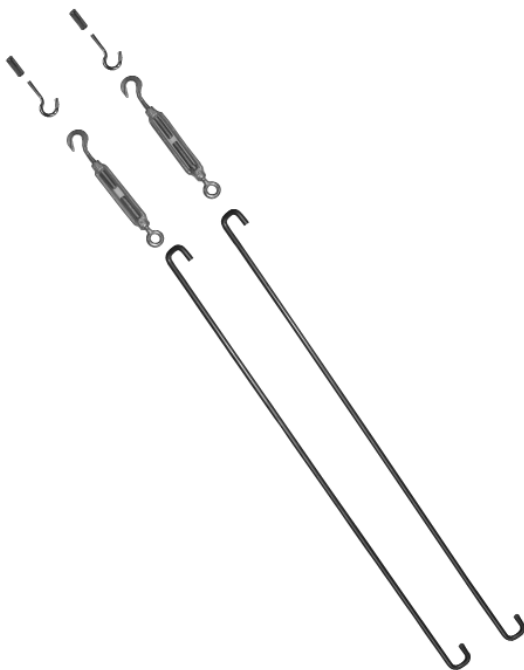
## BUILDING IN / HANGING OF THE APPLIANCE

### Mantel iron (option). - **BUILT-IN APPLIANCE / WALL-MOUNTED APPLIANCE**

The optional mantel iron is intended for supporting the brickwork above the appliance (chimney), or by applying other non-flammable materials over the appliance (cove). The mantel iron must rest on the brickwork on both sides so that upward building is possible. Level the mantel iron with the supplied bar set.

Keep a clearance of 1/12" (2 mm) between the mantel iron and the top of the side panels.

The brickwork/plating must never rest directly on the appliance.



- |          |   |
|----------|---|
| Bar set: | <ul style="list-style-type: none"><li>• 2x draw bars</li><li>• 2x tension sleeves</li><li>• 2x M6 hooks</li><li>• 2x brass expansion plugs M6</li></ul> |
|----------|---|



First remove the 2 mantel iron transport-spacers "REMOVE"

**Note!** Temporarily support the mantel iron, so that it does not fall forwards.

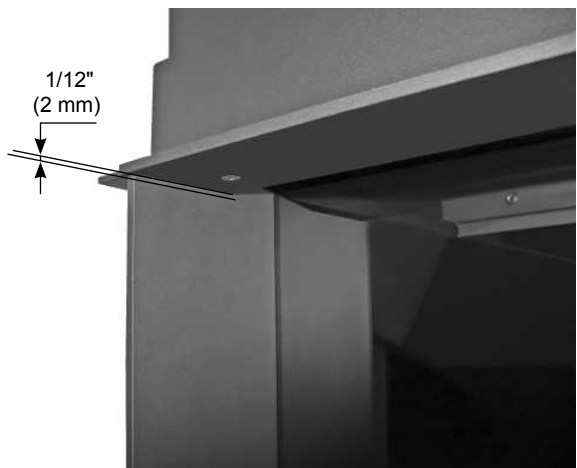
## BUILDING IN / HANGING OF THE APPLIANCE



Fix the mantel iron to the rear wall with the bar set. Place the draw bars at an angle of about 60° (between the appliance and the wall). Level the mantel iron with the tension sleeves.



1/12"  
(2 mm)

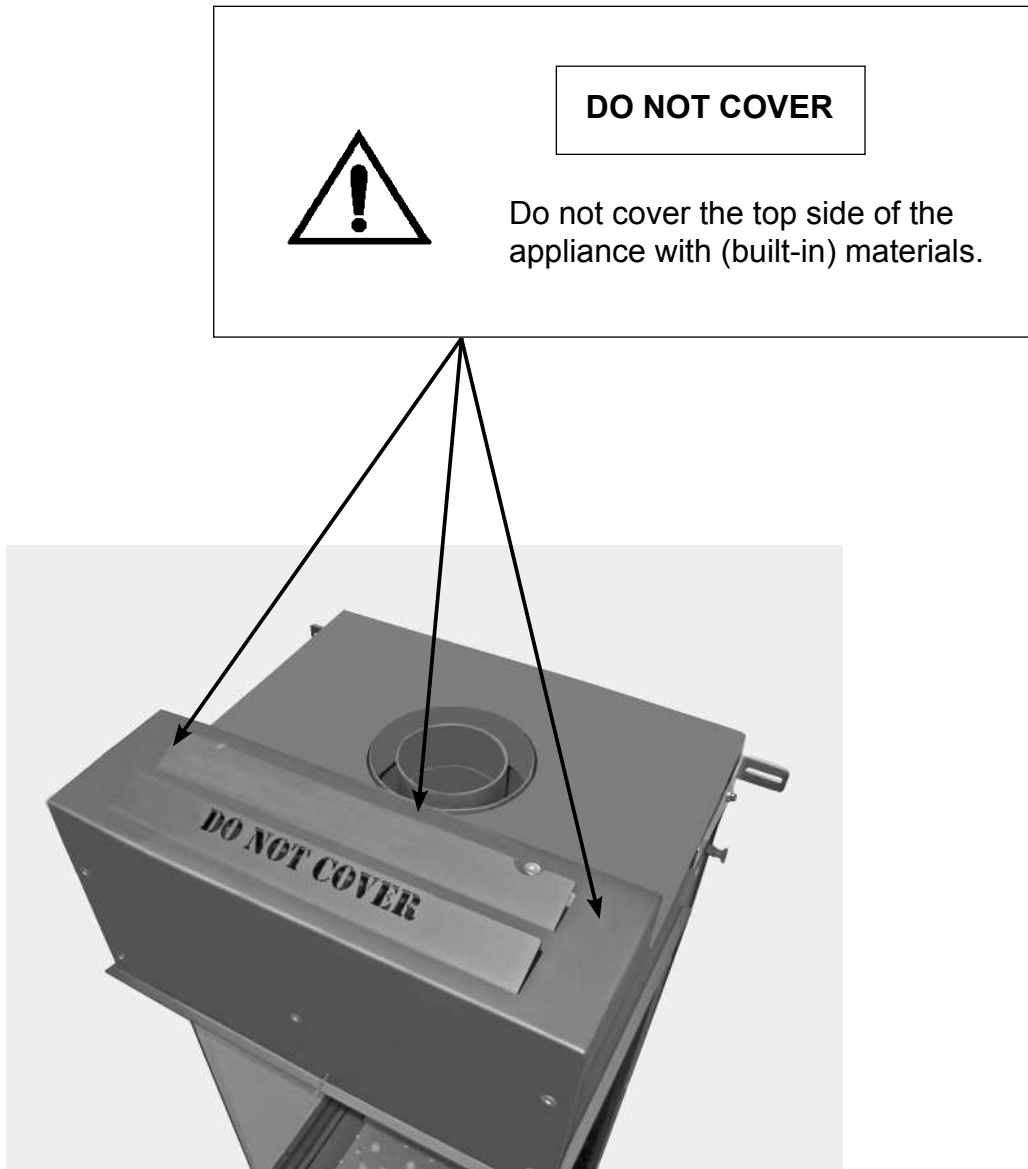


Ensure that the height between the mantel iron and the underside of the glass is the same at left, middle and right.

Keep a clearance of 1/12" (2 mm) between the mantel iron and the top of the side panels. The side panels should always be easily removable. Check that the mantel iron is at right angles to the side panels, both left and right.

Put ceramic felt on the top of the mantel iron, before laying bricks or using other non-flammable structural materials.

## BUILDING IN / HANGING OF THE APPLIANCE



### Checking the gas connection

After connection of the gas supply, check once again that all connections are completely gas tight using soapy water or a leak tester.

### Built-in appliance:

Once the fireplace has been finished, you can now, fit the frame with the small door to the operating unit.

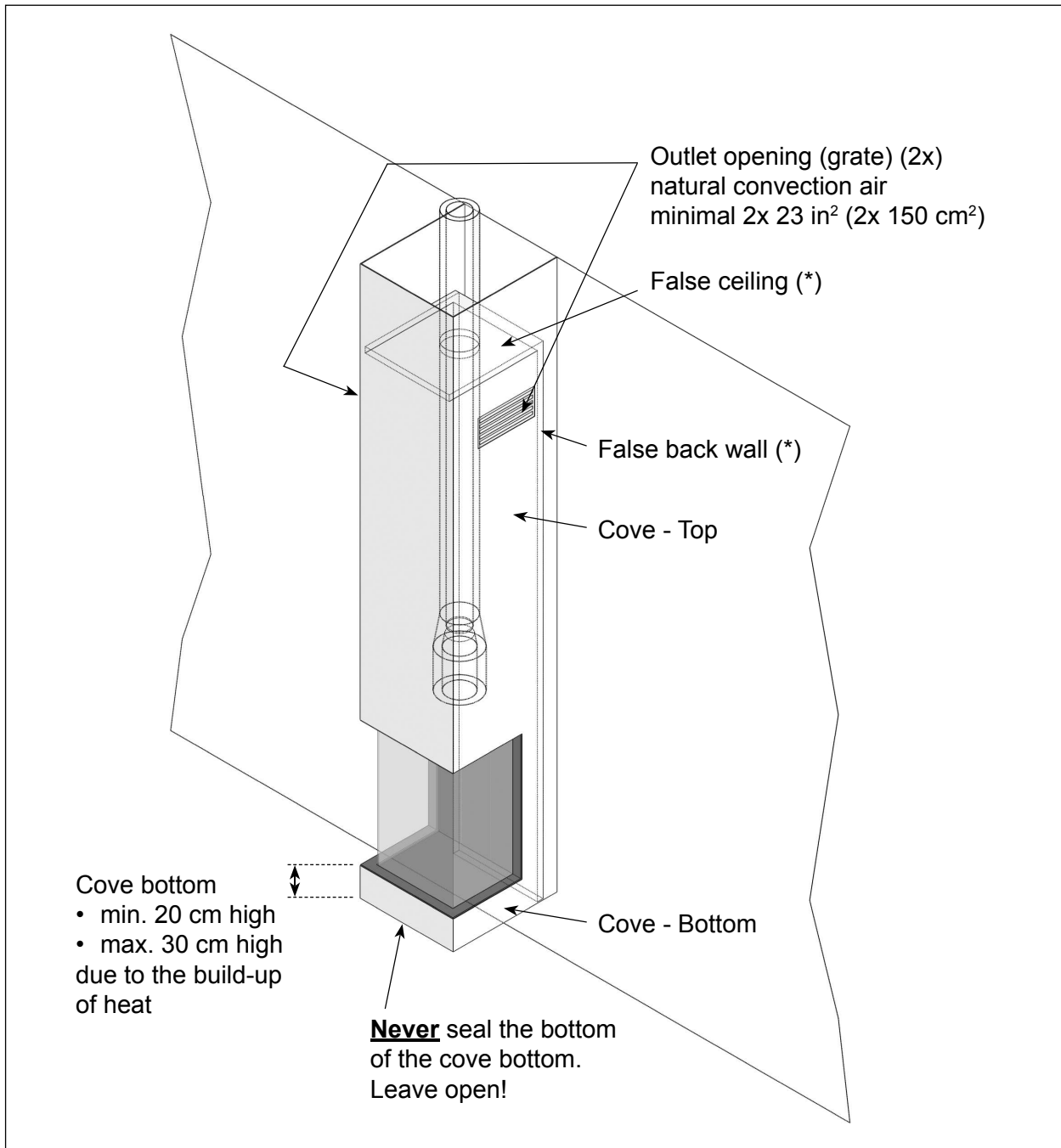
Depending of enclosure: After installation in a new fireplace and/or applying new cement work, the appliance cannot be used for at least four weeks.

# BUILDING IN / HANGING OF THE APPLIANCE

## Positioning the cove - WALL-MOUNTED APPLIANCE



- Only non-flammable materials are permitted for the cove.
- Ventilate the cove over the appliance by fitting with vents at the top of the cove.
- Ensure that the cove does not rest on the appliance. If necessary, use a mantel iron. (accessorie).



(\*) Made of a non-combustible insulation plate/board, according the material specifications in the Chapter: CLEARANCES.

**IMPORTANT:** Install the appliance and the insulation plate/board according to the Chapter: CLEARANCES.



## PLACING OF CERAMIC LOG SET

The appliance is supplied with a ceramic log set, embers and vermiculite granules.

### **IMPORTANT:**

- Carefully place the chips of wood/embers/vermiculite granules and log set, on and around the main burner according to the directions in this chapter.
- Do not place any chips of wood/embers/vermiculite granules or log set against the pilot light burner. For that reason, the main burner has a protective pilot-light protector. Never remove this protector! Make sure that the pilot flame can burn at all times freely over the main burner. Only in this way is proper ignition of the main burner ensured. Ignoring these directions could lead to a dangerous situation.
- Make sure that all burner orifices remains free at all times!
- The burner bed (with chips of wood/embers/vermiculite granules) and the positioning of the logs must not be changed.
- Only use those items supplied! These been rigorously checked and the quantities adapted to the appliance.
- Replacement parts, including the ceramic mat are available from your dealer.
- Fitting may only be carried out by a qualified person.

Remove the glass according to the instructions in Chapter: DISMANTLING / ASSEMBLING OF THE GLASS.

This section only applies for appliances delivered with a ceramic log set.

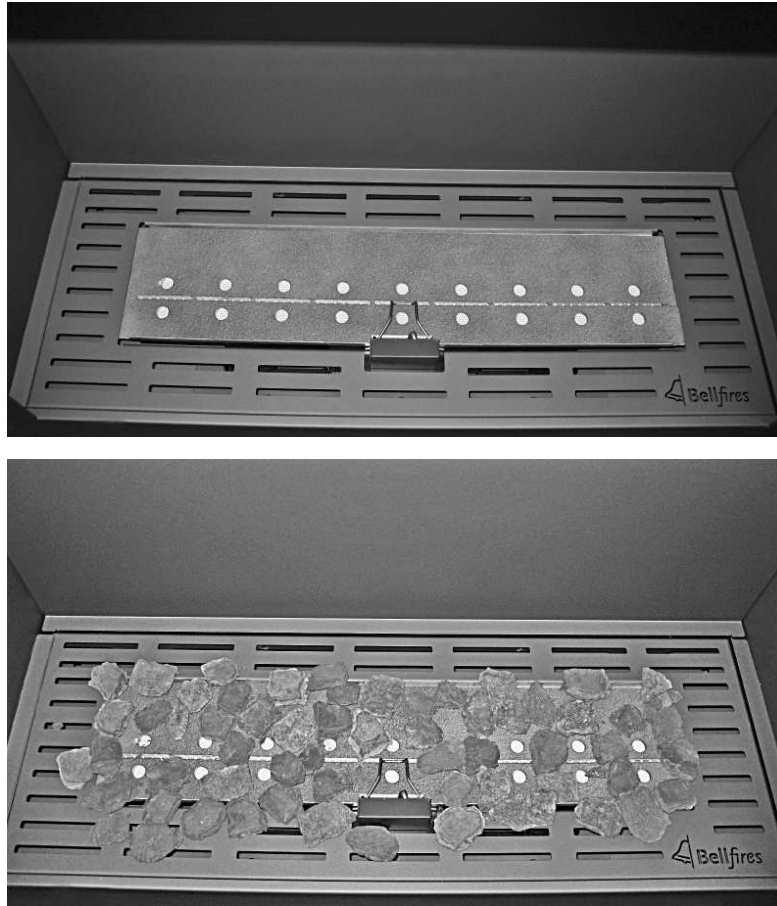
**WARNING:** Make sure that all burner openings remain free !!  
Burner orifices, which are not open, could lead to a dangerous situation.

### **Ceramic log set + embers + vermiculite granules**

1. Place the ceramic mat on the burner in such a way that the holes in the mat are in line with the burner openings. (Note: The ceramic mat is already placed on the burner when delivered from the factory.)
2. Remove the embers carefully from their packaging and spread them evenly over the burner mat and the grate around the burner. **DO NOT COVER BURNER OPENINGS !**
3. Remove the black vermiculite granules from their packaging and distribute the vermiculite granules (50 gram) evenly over the burner. **DO NOT COVER BURNER OPENINGS !**

## PLACING OF CERAMIC LOG SET

**WARNING:** Embers and vermiculite granules should not block the large burner openings (Line fire burner -  $\frac{5}{8}$ " (16 mm)). Embers and vermiculite must not be placed next to the pilot light burner.



4. Place the ceramic logs on the burner as shown in figure 26 or figure 27.  
Natural gas burner → refer to figure 26  
Propane burner → refer to figure 27

**WARNING:** Make sure that the ceramic logs do not cover the burner openings.

# PLACING OF CERAMIC LOG SET

## Logs:



Log no ①



Log no ②



Log no ③



Log no ④



Log no ⑤



Log no ⑥

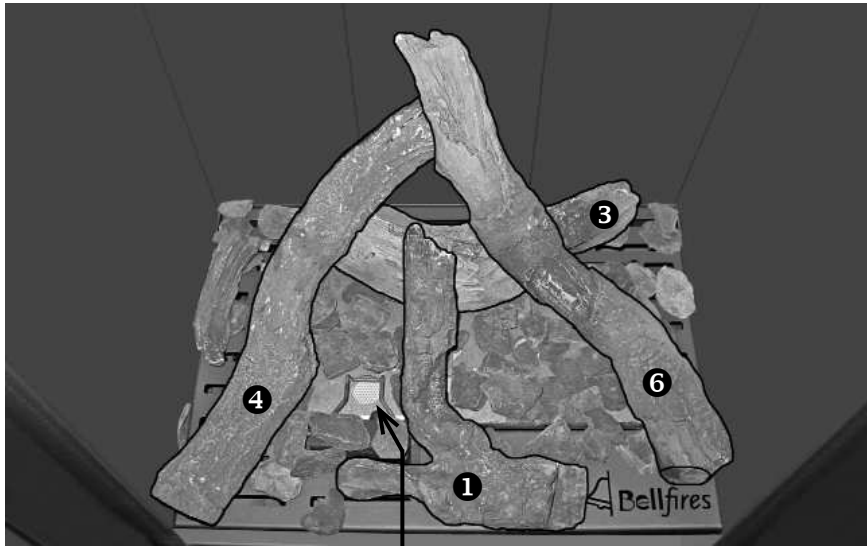


Log no ⑦



Log no ⑧

## **NATURAL GAS :**

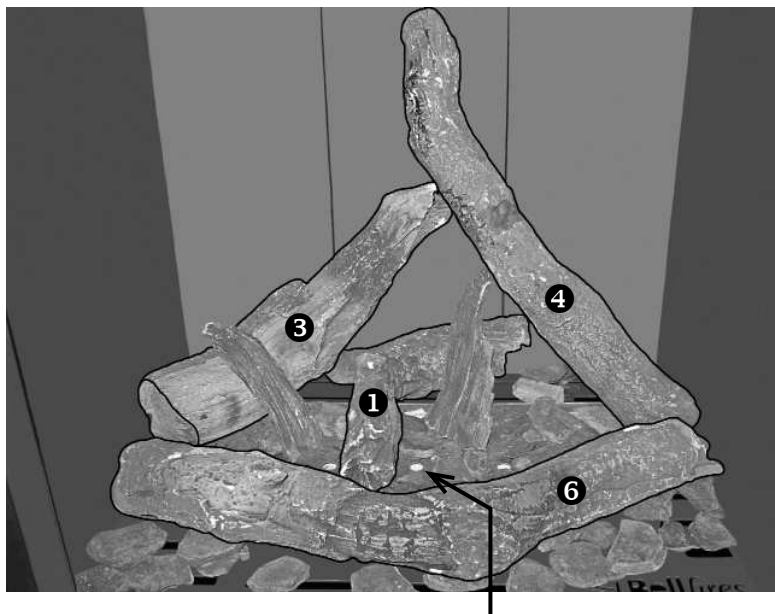


Embers must not be placed next to the pilot light burner

Keep the burner orifices unblocked!

**Figure 26: Log set View Bell Vertical 3 LF  
Position natural gas burner**

## **PROPANE GAS :**



Embers must not be placed next to the pilot light burner

Keep the burner orifices unblocked!

**Figure 27: Log set View Bell Vertical 3 LF  
Position propane burner**

# GAS FIRE DECORATION KITS

Fire Proof Material	Size	Colours
Stone Pebbles	½" - 1¼" (12-30 mm)	Different
Crushed Glass	½" - 1¼" (12-30 mm)	Different

Stone Pebbles



Crushed Glass



# GAS FIRE DECORATION KITS

This instruction gives installation instructions for the safe installation of a decoration kit, or the conversion from the original log set to a decoration kit, in your gas appliance.

These decoration kits are only for use in a **Bellfires View Bell Vertical 3 Line Fire (LF)** gas appliance.

The following decoration kits can be installed in the appliance:

Direct Vent Gas Fireplace: **Bellfires View Bell Vertical 3 LF**

Fire Proof Material	Size	Weight	Volume
Stone Pebbles	½" - 1¼" (12-30 mm)	5.5 lbs (2.5 kg)	0.05 Ft <sup>3</sup> (1.5 dm <sup>3</sup> )
Crushed Glass	½" - 1¼" (12-30 mm)	4.1 lbs (1.8 kg)	0.05 Ft <sup>3</sup> (1.3 dm <sup>3</sup> )

- It is not allowed to mix different decoration kits!
- It is not allowed to use more decoration material (pebbles/glass) than mentioned in above table.
- Put max. 1 layer of decoration material on the burner and grate!

The content of a decoration kit :

- Set of pebbles or glass, in the amount as approved for the appliance.
- Installation instructions

## WARNING:

**The installation/conversion shall be carried out by qualified service agency, in accordance with the requirements of the manufacturer, provincial or territorial authorities having jurisdiction and in accordance with the requirements of the CAN/CGA-B149.1 or CAN/CGA-B149.2 installation codes.**

**If the information in these instruction is not followed exactly, a fire, explosion or production of carbon monoxide may result causing property damage, personal injury or loss of life.**

**The qualified service agency is responsible for the proper installation of this kit.**

**The installation is not proper and complete until the operation of the converted appliance is checked as specified in the manufacturer's instructions supplied with the kit.**

# GAS FIRE DECORATION KITS

This instruction describes the replacement of the original log set to a decoration kit of pebbles or glass.

**WARNING:** The decoration kit must be installed by a qualified service technician.

1. Turn off the gas supply with the main gas valve to the appliance
2. Remove the glass front → For instructions see chapter “DISMANTLING / ASSEMBLING OF THE GLASS”.
3. Remove the ceramic log set.
4. Remove the embers carefully.  
Prevent damaging the ceramic mat on the burner, which is very fragile!
5. Check the condition of the ceramic mat. Replace the mat when damaged.
6. Check if the holes in the ceramic mat are exactly in line with the burner openings.
7. Spread the ‘stone pebbles’ or ‘crushed glass’ evenly over the whole burner bed (burner and grate around the burner). Make sure that the pilot light remains free.

## IMPORTANT:

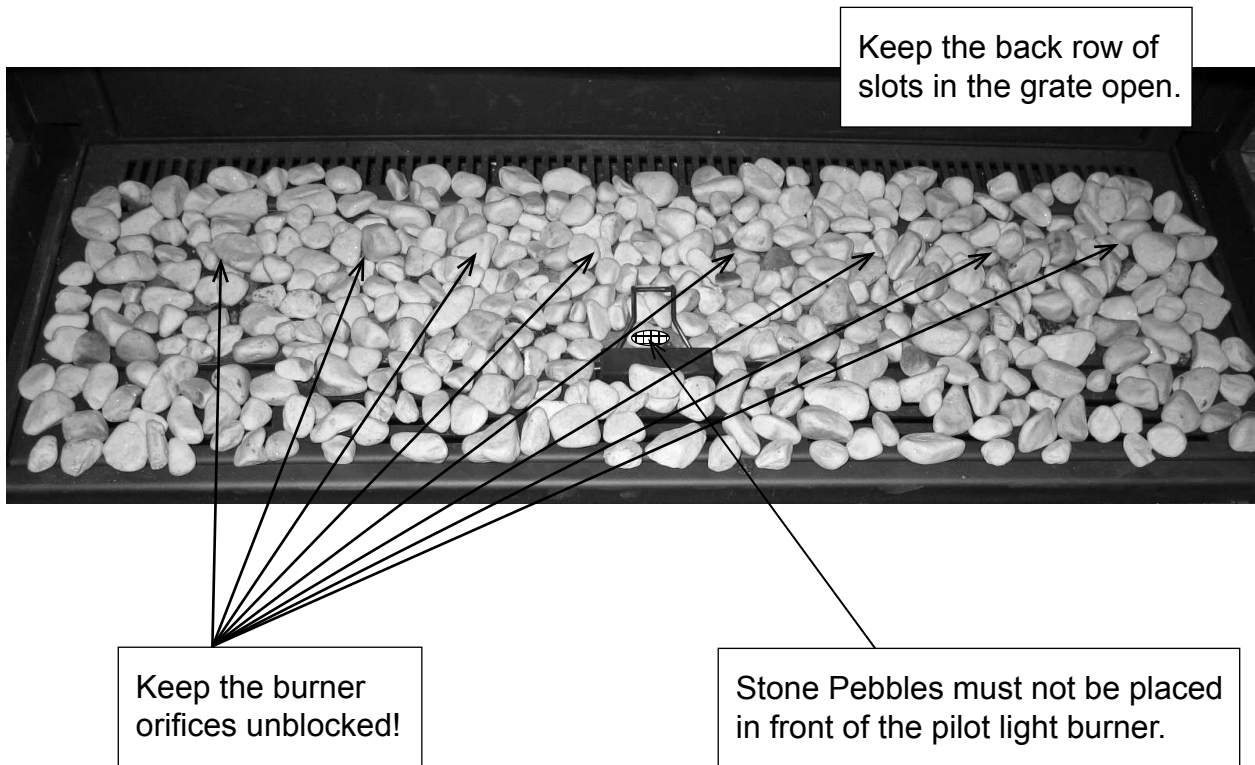
- Do not place any pebbles/glass in front of the pilot light.  
Make sure that the pilot light can burn freely over the main burner.
- Keep the burner orifices unblocked.
- Keep also the back row of slots in the grate open.

Only this way a proper ignition of the main burner and proper combustion is ensured.

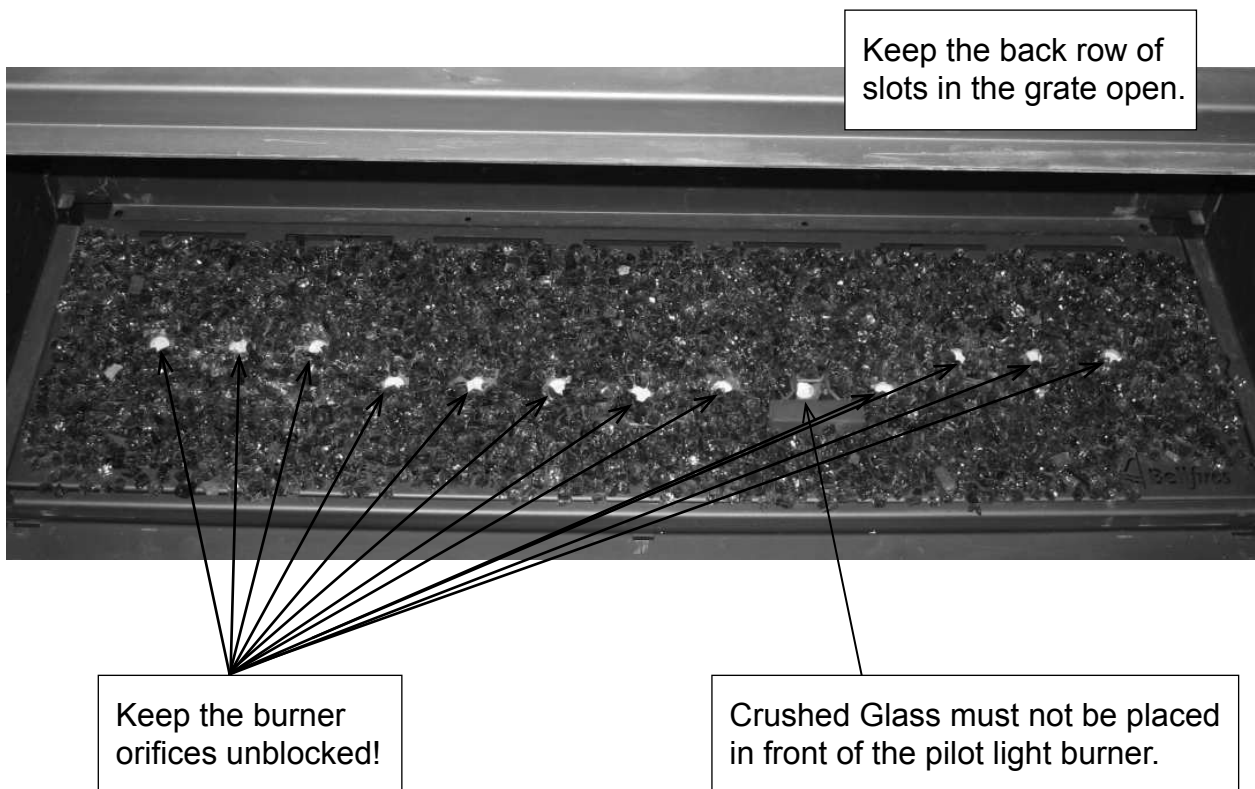
8. Once the ‘stone pebbles’ or ‘crushed glass’ have been positioned, replace the glass front in the appliance, → For instructions see the installation manual of the gas appliance, chapter “DISMANTLING / ASSEMBLING OF THE GLASS”.
9. After installation, check the ignition of the pilot light and main burner. visually check the gas flame. When the fire is ignited, the flames should be short and blue/yellow in colour. These flames should gradually increase in height and become more yellow. When all flames are yellow, the gas fire has reached the correct temperature.
10. The gas fire is now ready for use.

# GAS FIRE DECORATION KITS

## Stone Pebbles



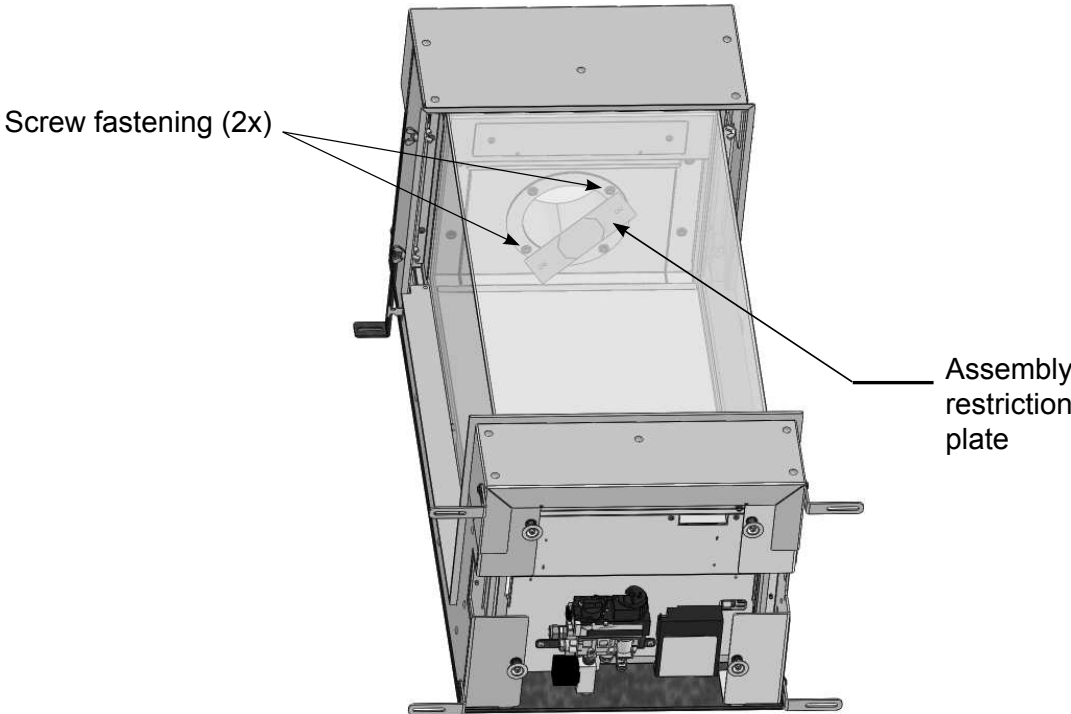
## Crushed Glass





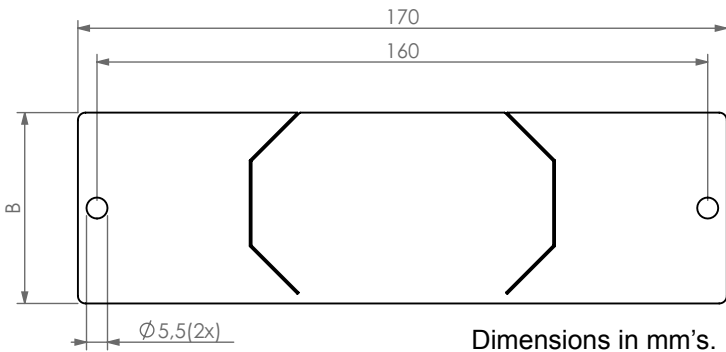
# MOUNTING OF FLUE GAS RESTRICTION PLATE

Depending on the length and shape of the concentric flue system and the chimney construction, you should, if indicated, fit a restriction plate with a certain width (B) into the ceiling of the combustion chamber. To do this, see the set-up options as listed in figure 9 to 14.



**Figure 28: Positioning restriction plate**

The following restriction plates are supplied:



Restriction plate:	Concentric flue connection appliance [5 1/8" x 7 7/8"] (Roof terminal)
Width:	B = 40 mm
Width:	B = 50 mm
Width:	B = 65 mm
Width:	B = 80 mm

The size of each plate (in mm's) is printed on the plates.

# CHECK OVERPRESSURE HATCH

## Check overpressure hatch

There is an overpressure hatch in the ceiling of the combustion chamber (front).

### IMPORTANT:

Check if the hatch is loose, by lifting a little and carefully letting it come down again.  
Check if the packing under the hatch is sealed.

Overpressure hatch is in the correct position.



Check functioning of overpressure hatch.

Check packing of overpressure hatch.  
If necessary, the packing can be replaced by lifting the hatch, tilting it and removing via the opening.



## VISUAL CHECK OF GAS FLAMES

After installation, visually check the gas flame. When the fire is ignited, the flames should be short and blue/yellow in colour. These flames should gradually increase in height and become more yellow. When all flames are yellow, the gas fire has reached the correct temperature.

THE GAS FIRE IS NOW READY FOR USE

## **IMPORTANT:**

**It is essential that the appliance, the complete concentric flue system (where possible) and the outlet are cleaned and inspected annually by a certified gas technician. The safe operation of the appliance will thus remain guaranteed.**

Maintenance consists of the following:

- Remove first the embers, vermiculite granules and logs set from the main burner and carefully clean these with a soft and dry brush. Do not use water !!
- Clean and inspect (visually) the main burner, pilot light, combustion chamber, flue system and combustion air intake. Dust can be removed using a vacuum cleaner.
- Clean the glass on the inside of the appliance with glass spray or ceramic glass cleaner. This also applies to the black mirror rear wall and side panels, if the appliance is fitted with these.
- After cleaning; Carefully replace the embers, vermiculite granules and logs set on and around the main burner according to the installation directions in this instruction booklet.

**Do not place any embers, vermiculite granules or logs against the pilot light burner. Make sure that the pilot flame can burn at all times freely over the main burner. Only in this way is proper ignition of the main burner ensured. Ignoring these directions could lead to a dangerous situation.**

- Check the gas supply, flue system, and combustion air supply route for leaks.
- Check the correct operation of the gas regulator block, thermocouple circuit and the ignition of the main burner.
- Check the gas inlet-pressure (both when the appliance is off and when it burns at maximum) and the burner pressure.
- Check if the overpressure hatch is correctly positioned and check if the packing seals properly under the hatch.
- Check the complete concentric flue system including the outlet construction. A camera can be used to inspect the whole length of the flue gas outlet and the combustion air intake. Also check that all connections are secure.

# FAULTS

## POSSIBLE REASONS

Possible reasons for the gas fire going out are:

- The concentric flue system is not installed according to one of the methods detailed in Vent Installation.
- An incorrect “flue gas restriction plate” is fitted.
- The pilot light extinguishes if fumes are not exhausted or are insufficiently exhausted.
- The pilot light is either dirty or defective.
- Insufficient gas pressure.
- (Internal) leak of the concentric flue system.
- Thermocouple voltage is too low. This is usually caused by insufficient heating of the thermocouple by the pilot light.
- Dirty electrical contacts in the thermo-electrical system; for example, the thermocouple connection.
- Batteries in receiver or remote control are flat.

## SAFETY MEASURES IN THE APPLIANCE

### Thermo-electric pilot light shut off

The appliance is protected by means of a thermo-electric pilot light shut off in the event of a gas escape from the main burner.

### Over pressure safety system

The appliance is equipped with a safety system, whereby a hatch will extract any over-pressure that arises in a controlled way. In this, the hatch in the ceiling of the combustion chamber, will briefly open. A loud noise can occur.

A safety bracket limits the maximum opening of the hatch.

If an over-pressure situation occurs, the appliance should be thoroughly checked by the installer.

## DISMANTLING / ASSEMBLING OF THE GLASS

**WARNING:** Do not operate appliance with the glass front removed, cracked or broken. Replacement of the glass should be done by a licensed or qualified service person.

### Dismantling of the glass:

Place paperboard on the chimney breast, under the appliance.  
This helps to prevent damage.



- View Bell Vertical 3



- Pull the side panel forwards on the left, alongside the glass.



- Remove the side panel on the left.

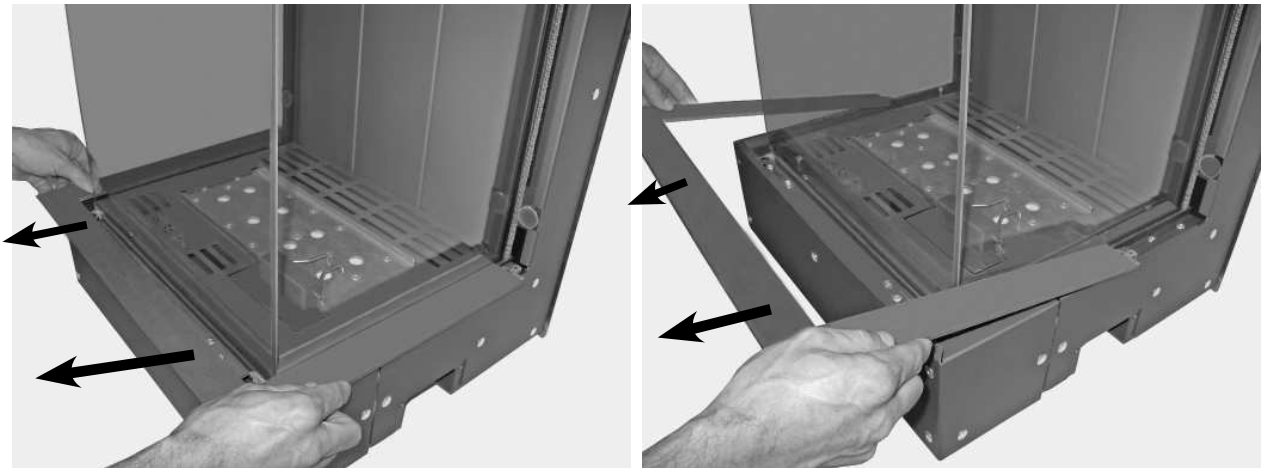


- Pull the side panel forwards on the right, alongside the glass.

## DISMANTLING / ASSEMBLING OF THE GLASS

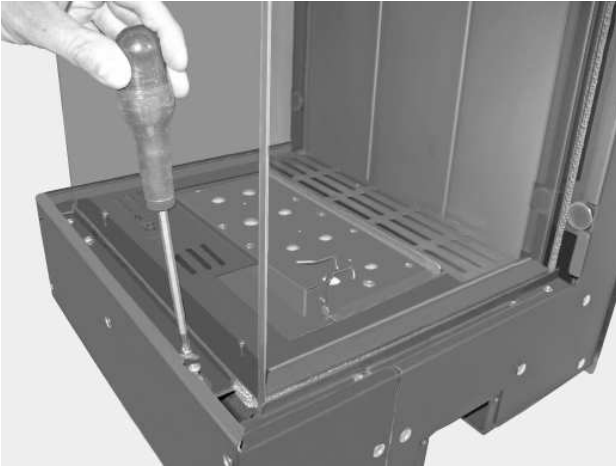


- Remove the side panel on the right.



- Remove the bottom panel, by pulling it gently to tilt forward and to remove. Prevent damage to the side glasses !

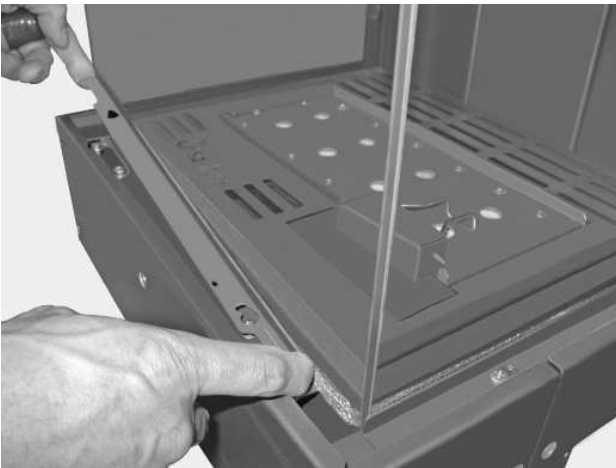
## DISMANTLING / ASSEMBLING OF THE GLASS



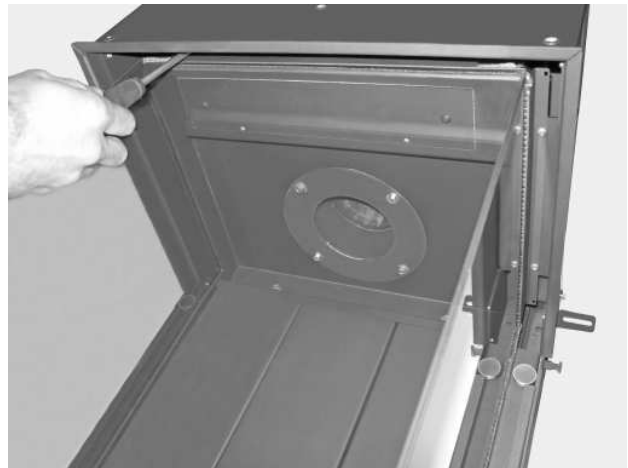
- Unscrew the strip at the front under the glass. Screws only need a couple of turns!



- Using a screwdriver, slide the strip a little to the left.



- Remove the strip at the front.



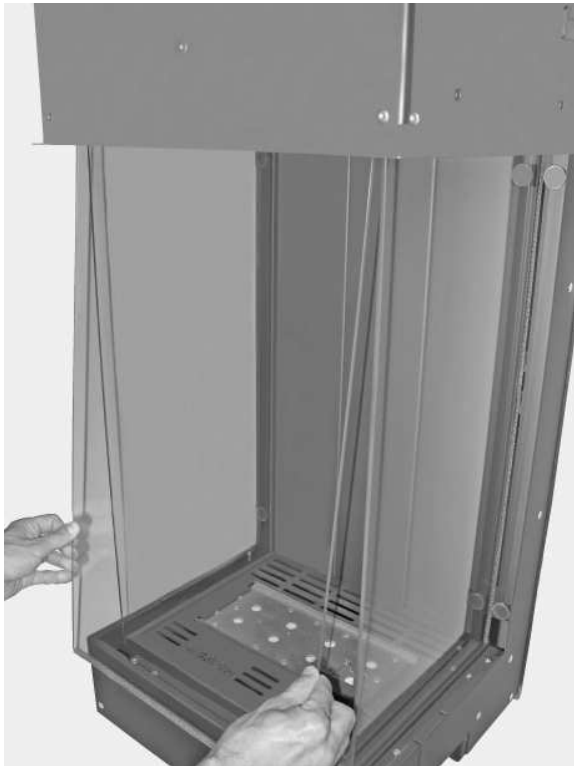
- Unscrew the long strip at the top a little and leave the strip in place.



## DISMANTLING / ASSEMBLING OF THE GLASS



- Pull the glass carefully forwards at the bottom, and slide it a little to one side.



- Lift the glass carefully and pull it forwards a little at the bottom.

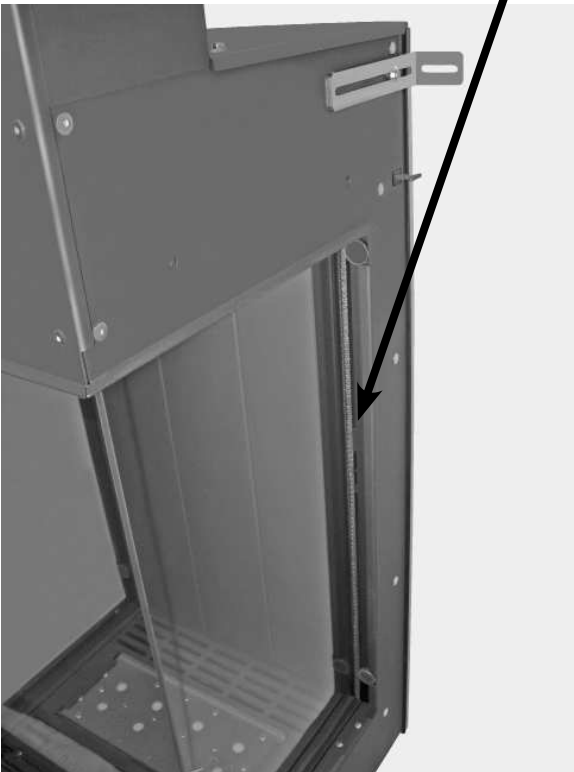


- Remove the glass by slanting it forward a little at the bottom and taking it out.

- The glasses at the sides can be removed in the same way as the front glass.

# DISMANTLING / ASSEMBLING OF THE GLASS

Compression spring position  
Side glass L/R



Side glass compression spring L/R



- Make sure that the compression spring (Left and Right) stays in the correct position.
- Side glass compression spring (Left and Right).

**All fastening strips on the top side remain in position!**



## Assembling of the glasses:

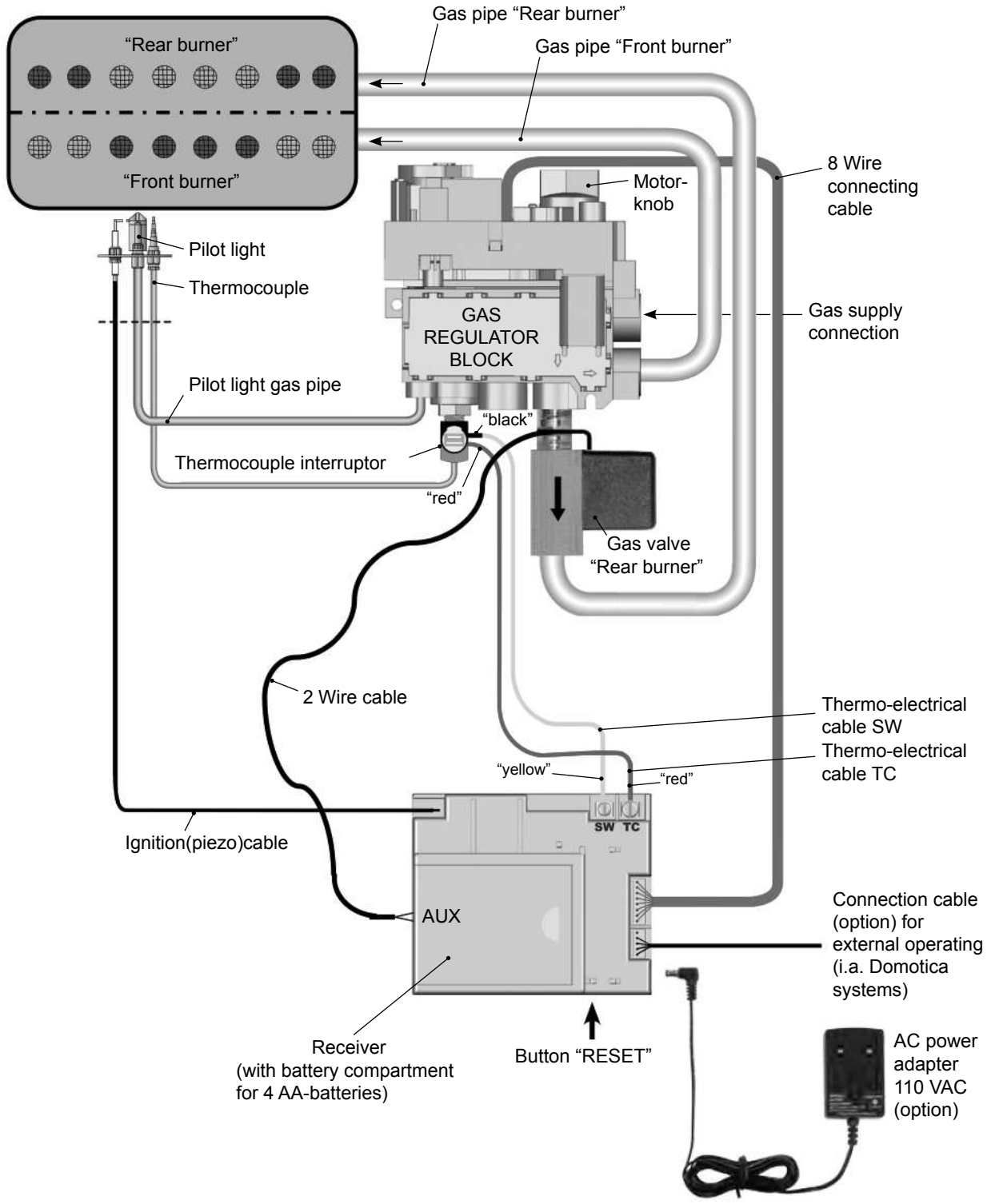
The assembly of the glass takes place in reverse order.

### **Important:**

- The glass panes fit together well. There must be no gaps between the glass panes, or there will be a danger of flue leakage.
- The glass panes must fit properly all round the edges of the combustion chamber.
- Check if the fastening strips have been properly mounted all round.
- Check if the compression springs has been replaced in the correct position.

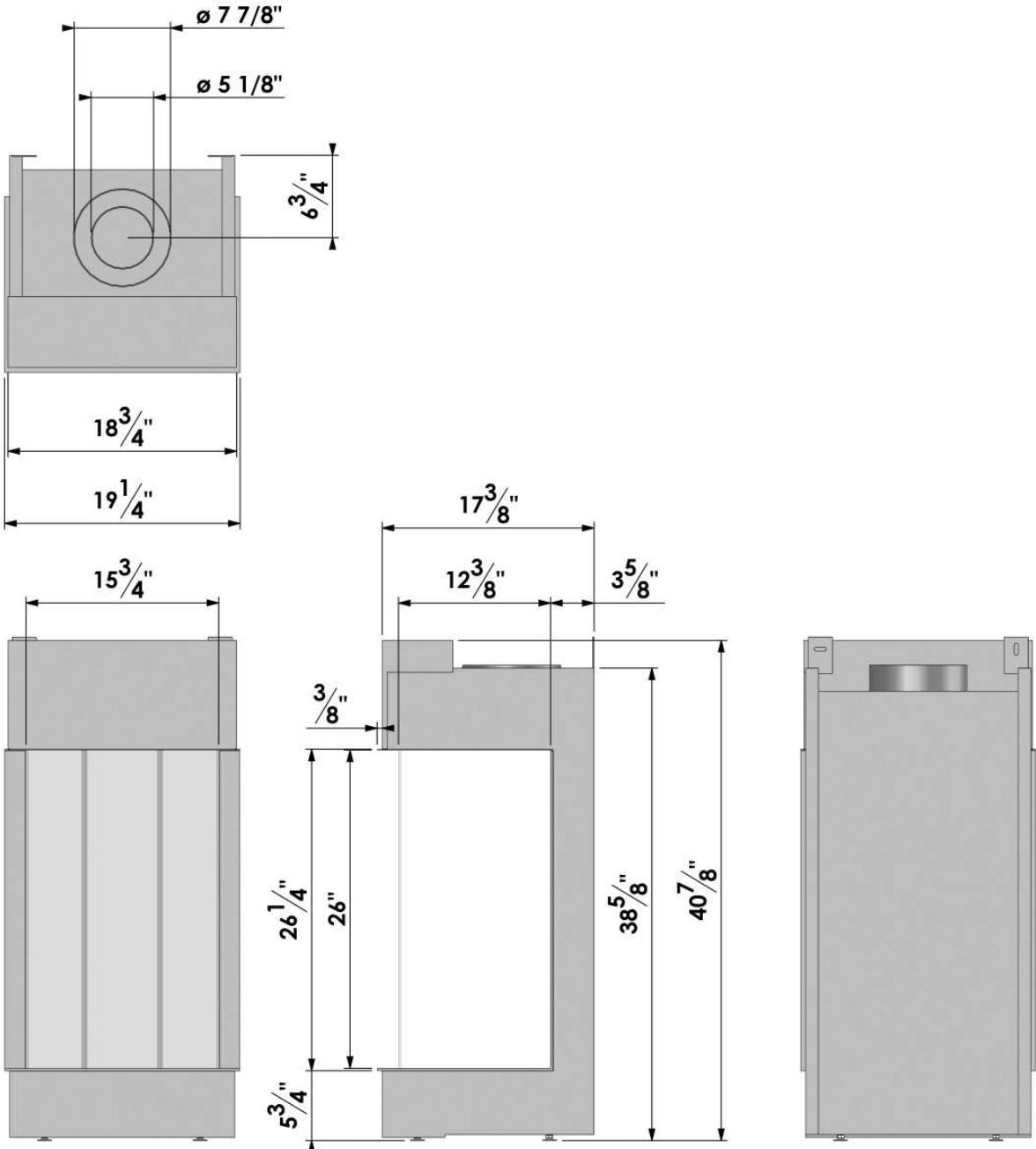
# DIAGRAM ELECTRICITY AND GAS

Double burner:     +  : Perforation pattern "Line Fire" double burner.



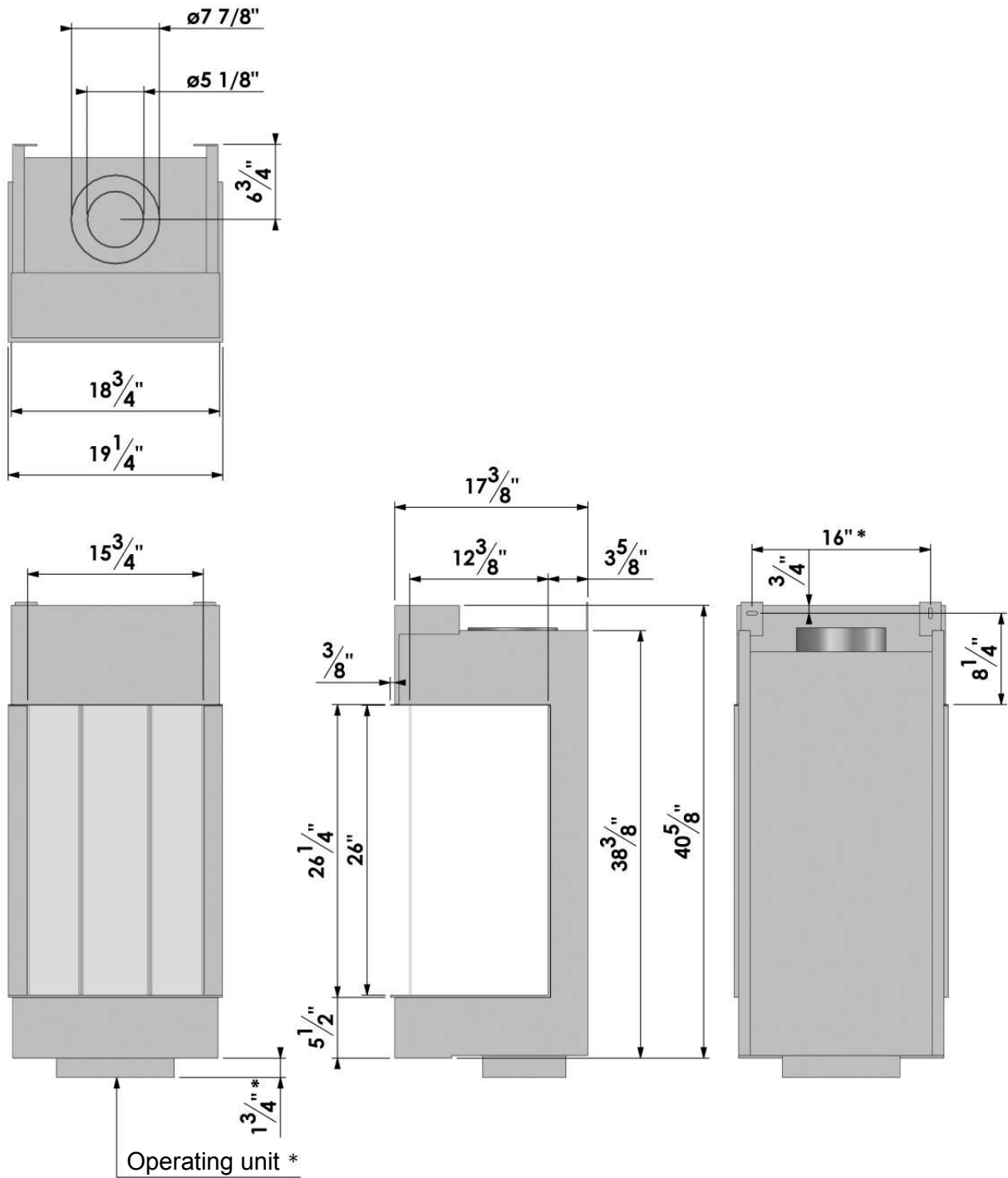
# DIMENSIONS

VIEW BELL VERTICAL 3 - Hidden Door (Built-in model)



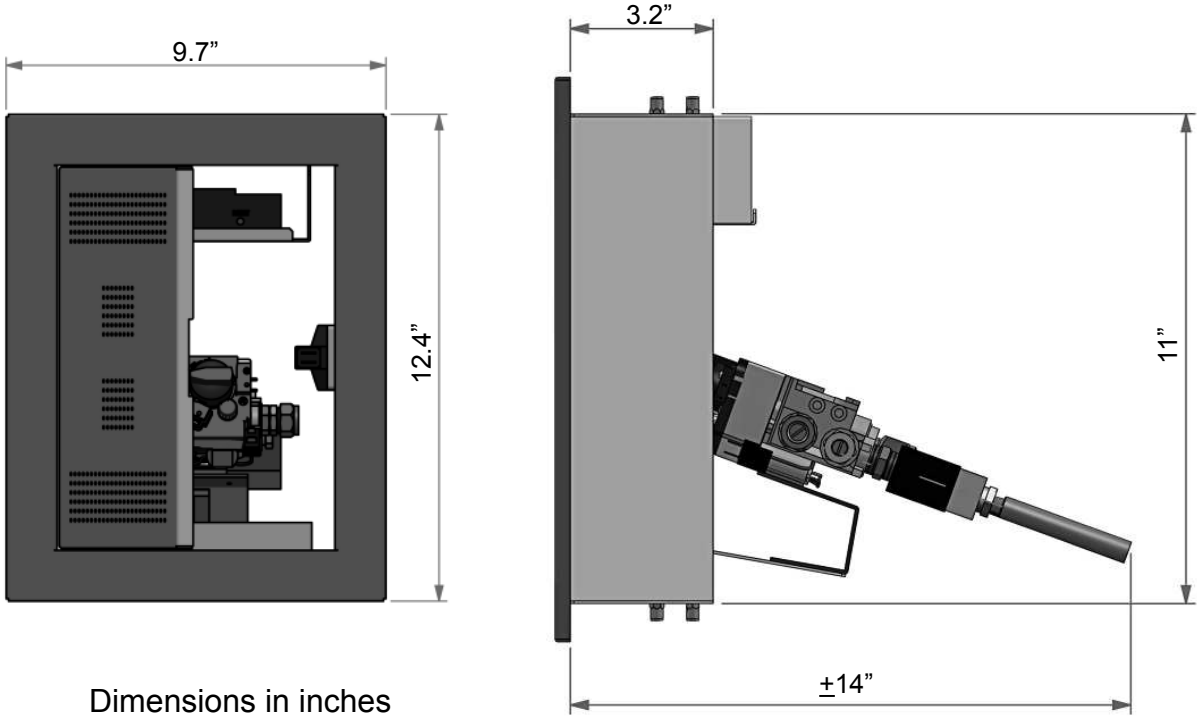
# DIMENSIONS

## VIEW BELL VERTICAL 3 - Hidden Door (Wall mounted model)



\* = hang on the wall

# OPERATING UNIT



Dimensions in inches

# TECHNICAL DETAILS

## APPLIANCE RATINGS

### View Bell Vertical 3 LF (Line fire)

Gas		Natural gas	Propane
Thermal efficiency	[%]	78.7	79.3
Annual fireplace efficiency (P4)	[%]	75.2	76.0
Input maximum	Btu/hr	32,000	20,000
Input minimum	Btu/hr	8,200	4,100
Supply pressure	in. w.c.	7.0	11.0
	kPa	1.74	2.74
Manifold pressure maximum (hot)	in. w.c.	4.5	10.8
	kPa	1.13	2.69
Manifold pressure maximum (cold)	in. w.c.	4.4	10.8
	kPa	1.09	2.69
Manifold pressure minimum	in. w.c.	0.30	0.60
	kPa	0.08	0.15
Main burner Injector marking (back)		Nr. 170 (=1xØ1.70 mm)	Nr. 95 (=1xØ0.95 mm)
Main burner Injector marking (front)		Nr. 200 (=1xØ2.00 mm)	Nr. 95 (=1xØ0.95 mm)
Pilot Injector marking		Nr. 36 (SIT 0.977.091)	Nr. 23 (SIT 0.977.150)

# REPLACEMENT PART LIST

When requesting service or ordering replacement parts, please quote the model type and serial number. All parts listed in this manual may be ordered from a Bellfires dealer.

No	Article no	Description
1	336143	Main burner "Line Fire" 295 x 130 mm <u>Natural gas</u> / <u>Propane</u> Natural gas: 1x Ø12.0 mm front + 1x Ø12.0 mm rear Propane: 1x Ø20.0 <sup>+corner</sup> mm + 2x Ø5.0 mm front and 1x Ø20.0 <sup>+corner</sup> mm + 2x Ø5.0 mm rear
2	336180	Burner mat L = 295 mm "Centre Fire"
3	334875	Burner injector <u>Natural gas</u> ; Front: no 200 (1x Ø2.00 mm)
4	335123	Burner injector <u>Natural gas</u> ; Rear: no 170 (1x Ø1.70 mm)
5	335120	Burner injector <u>Propane</u> ; Front: no 95 (1x Ø0.95 mm)
6	335120	Burner injector <u>Propane</u> ; Rear: no 95 (1x Ø0.95 mm)
7	336506	Gas regulator block; GV 60 (M10 Thermocouple connection)
8	302122	3/8" male x 12 Compression fitting
9	302084	Nut Ø8 mm for burner supply GV 60 for "front burner"
10	302089	Olive Ø8 mm for burner supply GV 60 for "front burner"
11	333607	Gas valve "rear burner"
12	333608	Adapter 3/8"bsp x 3/8"+ O-ring
13	333610	Nut Ø8 mm for gas valve "rear burner"
14	333611	Olive Ø8 mm for gas valve "rear burner"
15	302086	Cut-off nipple Ø4 mm GV 60
16	333601	Cable (sw): Receiver - Thermocouple interrupter, L = 500 mm
17	333602	Cable (tc): Receiver - Thermocouple interrupter, L = 500 mm
18	336505	Hand-held transmitter: Display screen: Temperature and two programmes
19	333599	Cover battery compartment hand-held transmitter - with imprint: Operating double burner
20	336504	Receiver GV 60
21	302068	8 Wire connecting cable Gas regulator block - Receiver, L = 500 mm
22	302421	Piezo ignition cable, 2x $\square$ 2.8 x 0.8 mm, L = 1500 mm
23	321926	Thermocouple M10 - 1500 mm
24	333604	Thermocouple interrupter M10
25	310908	Pilot light set outer casing, Double flame
26	310909	Pilot gasket set outer casing
27	310910	Pilot light injector; <u>Natural gas</u> ; no 36
28	310912	Pilot light injector; <u>Propane</u> ; no 23
29	310907	Piezo electrode for pilot light, 2.8 x 0.5 mm
30	302062	Nut piezo electrode
31	319842	Nut thermocouple
32	332552	Pilot light olive; Ø4 mm, steel
33	332553	Pilot light nut; Ø4 mm, steel
34	322552(*)	Pilot light pipe; Ø4 mm, L = 1500 mm, Flexible, Stainless steel
35	336728(**)	Pilot light pipe; Ø4 mm, L = 500 mm, Flexible, Stainless steel
36	325750(*)	Burner pipe; Ø8 mm, L = 1500 mm, Flexible, Stainless steel - 10 kW+, "front burner"
37	336727(**)	Burner pipe; Ø8 mm, L = 500 mm, Flexible, Stainless steel - 10 kW+, "front burner"



# REPLACEMENT PART LIST

No	Article no	Description
38	325750(*)	Burner pipe; Ø8 mm, L = 1500 mm, Flexible, Stainless steel - 10 kW+, "rear burner"
39	336727(**)	Burner pipe; Ø8 mm, L = 500 mm, Flexible, Stainless steel - 10 kW+, "rear burner"
40	326055	Nut; Ø8 mm, compression elbow main burner
41	326054	Olive; Ø8 mm, compression elbow main burner
42	334902	Gasket pilot light holder
43	334259	Gasket double burner
44	336857	Glass View Bell Vertical 3 front (400 x 727 x 4 mm)
45	336858	Glass View Bell Vertical 3 side (328 x 727 x 4 mm)
46	301669	Tube ceramic glue
47	301593	Black fibre glass tape 15 x 3 mm, adhesive
48	319664	Black fibre glass tape 30 x 2 mm, adhesive
49	311006	Black fibre glass tape 20 x 2 mm, adhesive
50	301617	Black fibre glass cord Ø10 mm

(\*) Operating unit (Built-in appliance)

(\*\*) Operation under the appliance (Wall-mounted appliance)

# REPLACEMENT PART LIST

Logs - Chips of wood - Embers - Vermiculite granules

Appliance	Log set											
	Set	Log no								Chips of wood set	Embers with Glow-effect Anthracite	Vermiculite no 4 black filtered
		1	2	3	4	5	6	7	8			
	Art. no:	331357	331358	331359	331360	331361	331362	331363	331364	xxxxxx	301863	332583
View Bell Vertical 3	<b>D</b> 326571	1x	-	1x	1x	-	1x	-	-	1x	1x	1x

## PROPANE CONVERSION KIT

A propane conversion kit is supplied with this appliance. For safe use of this kit, refer to the installation instructions included with the propane conversion kit.

This conversion kit is only for use in the Bellfires gas appliance model stated on the front page of this manual and also stated on the included propane conversion kit and must only be used when the gas type for this appliance is changed from natural gas to propane.

### **WARNING:**

**This conversion kit shall be installed by a qualified service agency in accordance with the manufacturer's instructions and all applicable codes and requirements of the authority having jurisdiction.**

**If the information in these instruction is not followed exactly, a fire, explosion or production of carbon monoxide may result causing property damage, personal injury or loss of life.**

**The qualified service agency is responsible for the proper installation of this kit.**

**The installation is not proper and complete until the operation of the converted appliance is checked as specified in the manufacturer's instructions supplied with the kit.**

## Warranty terms

Interfocos B.V. develops and manufactures all Bellfires hearths to the highest possible quality standards. All Bellfires hearths (product) are warranted against defects in material and workmanship by Interfocos B.V, subject to the following conditions.

### Article 1: Warranty

- 1.1. Interfocos B.V. will repair or replace, at its option, any parts which upon examination of a Bellfires dealer are found to be defective, subject to the conditions, limitations and exclusions listed under Article 3 and Article 6.
- 1.2. Repair or replacement of the Bellfires product will be undertaken by a Bellfires dealer as designated by our local importer, at the purchaser's expense.

### Article 2: Warranty Terms

- 2.1. Should you wish to claim under the Warranty, please contact your Bellfires dealer.
- 2.2. Complaints should be reported immediately upon discovery.
- 2.3. Claims will only be accepted if they are reported to the Bellfires dealer together with the serial number of the Bellfires hearth which is stated on the front of the instructions for use.
- 2.4. In addition, the original receipt (invoice, receipt, cash receipt) showing the date of purchase must also be submitted.
- 2.5. Repairs and replacements during the Warranty Period do not give any entitlement to an extension of the Warranty Period. After a repair or replacement of Warranty parts, the warranty period shall be deemed to have started on the date of purchase of the product by the consumer.
- 2.6. If a certain part is eligible for the Warranty and the original part is no longer available, Interfocos B.V. shall ensure that an alternative part of at least the same quality shall be provided.
- 2.7. Any labour, travel and shipping costs related to Warranty replacement or repair are at the purchaser's expense.

### Article 3: Warranty Exclusions

- 3.1. The Warranty on the Bellfires product ceases to be in effect if:
  - a. it is not installed according to the supplied installation instructions, and to national and/or local regulations;
  - b. it has been installed, connected or repaired by a non-Bellfires dealer;
  - c. it has not be used or maintained according to the instructions for use;
  - d. it has been changed, neglected or roughly treated;
  - e. it has been damaged as a result of external causes (outside the hearth itself), for example, lightning strike, water damage or fire;
- 3.2. In addition, the Warranty ceases to be in effect if the original purchase receipt shows any change, deletion, removal or if it is illegible.
- 3.3. This Warranty does not cover damage to the barrier (safety screen), log breakage or damage to the product while in transit.

### Article 4: Warranty Area

- 4.1. The Warranty is in effect only where Bellfires product is sold through the official Bellfires dealer network.

### Article 5: Warranty Period

- 5.1. This Warranty will only be granted during the Warranty Period, as defined in Article 6.

## Article 6: Warranty Limitations

- 6.1. **Limited Lifetime Warranty on Body and Main Burner:** The body and main burner of the Bellfires hearth are warranted against defects in construction, materials or workmanship, during the period in which the product is owned by the original owner and installed in the original installation location.
- 6.1.1 During the first 10 years Interfocos B.V. will provide a replacement body or burner free of charge (subject to labour costs and shipping costs at the expense of the purchaser). After 10 years from date of purchase, Interfocos B.V. will provide a replacement body or burner at 50% of the current published retail price.
- 6.1.2 This Limited Lifetime Warranty is not transferrable.
- 6.1.3 The Limited Lifetime Warranty does not include replacement for discoloration due to corrosion or for other normal wear and tear.
- 6.1.4 The Limited Lifetime Warranty of the main burner does not include the pilot burner, thermocouple or burner mat.
- 6.2. **One-year parts warranty:** All other parts of the Bellfires hearth are warranted for a period of one year from date of purchase by the consumer.
- 6.3. **Warranty until after first burning:** Wear items such as glass, glass cord, and the paint, are warranted against manufacturer's defects up until the time the Bellfires hearth is first fired.

## Article 7: Limitation of Liability

- 7.1. Interfocos B.V. makes no express warranties except as stated in this Warranty. Interfocos' sole obligation and the purchaser's exclusive remedy under this Warranty, or under any other express or implied warranty, in tort, contract or otherwise, is limited to the replacement, repair, or refund of parts as specified in this Warranty. In no event is Interfocos B.V. responsible for an incidental, consequential or special damages or expenses caused by defects in the Bellfires hearths, whether such damages occurs or is discovered before or after any replacement and repair provided under this Warranty. Interfocos B.V. makes no representation or warranty, express or implied, of fitness for a particular use or purpose.
- 7.2. The provisions of these Warranties are in addition to and not a modification of or subtraction of any statutory warranties or other rights and remedies provided by law.
- 7.3 All agreements entered into by Interfocos B.V. are, unless specifically stated otherwise in writing and to the extent that they are permitted based on applicable law, subject to the Conditions of the Dutch Metal and Engineering Association (METAALUNIEVOORWAARDEN), as filed with the registrar of the Court of Rotterdam on 1 January 2014.

Interfocos B.V.  
Hallenstraat 17  
5531 AB Bladel  
The Netherlands  
Tel: +31-497339200  
Email: info@Bellfires.com

Carefully retain the instructions for use; they show the serial number of the hearth. You will need this if you wish to claim under the warranty.







**FOR YOUR BELLFIRES DEALER**

**VISIT**

**[www.neefireplaces.ca](http://www.neefireplaces.ca)**

**OR**

**[www.neefoyers.ca](http://www.neefoyers.ca)**

Serial number:

Production date:

03 - 010217 - 337376