



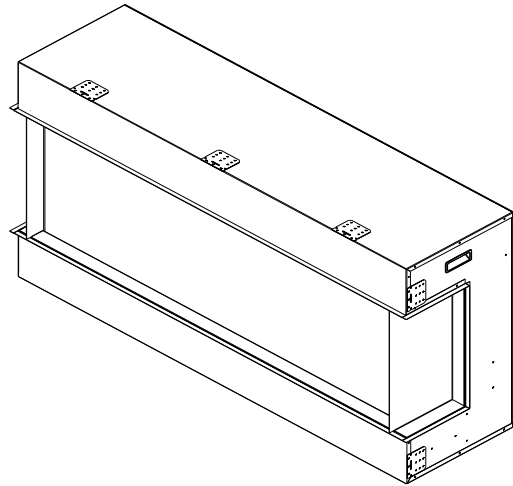
INSTALLATION AND OPERATION INSTRUCTIONS FOR

40-TRU-VIEW-XL

50-TRU-VIEW-XL

60-TRU-VIEW-XL

72-TRU-VIEW-XL



SAFETY INFORMATION



WARNING

If the information in these instructions are not followed exactly, a fire or explosion may result causing property damage, personal injury or loss of life.

Do not store or use gasoline or other flammable vapors and liquids in the vicinity of this or any other appliance.

INSTALLER: LEAVE THIS MANUAL WITH THE APPLIANCE.

CONSUMER: RETAIN THIS MANUAL FOR FUTURE REFERENCE.

TABLE OF CONTENTS

Please read and carefully follow all of the instruction found in this manual. Please pay special attention to the safety instructions provided in this manual. The instructions included here will assure that you have many years of dependable and enjoyable service from your Amantii product.

IMPORTANT INSTRUCTIONS.....	3
UNPACKING AND TESTING APPLIANCE	5
GROUNDING APPLIANCE	5
LOCATING THE FIREPLACE	5
40-TRU-VIEW-XL.....	6
50-TRU-VIEW-XL.....	7
60-TRU-VIEW-XL.....	8
72 -TRU-VIEW-XL.....	9
SAFETY DRILL SCREW AREA	10
HARD- WIRE INSTALLATION	10
FOR BATHROOM USE	11
OUTDOOR INSTALLATIONS	12
INSTALLATION.....	13
MEDIA OPTIONS	19
MEDIA OPERATION.....	20
OPERATION	21
REMOTE CONTROL OPERATION	22
INSTALLING WALL THERMOSTAT	23
REPLACEMENT PARTS	24
EXPLODED VIEW.....	25
WIRING DIAGRAM	26
TROUBLE SHOOTING	27
SERVICE HISTORY	28
WARRANTY	29

IMPORTANT INSTRUCTIONS

1. Read all instructions before installing or using this heater.
2. Keep combustible materials, such as furniture, pillows, bedding, papers, clothes and curtains at least 3 feet from the front of the heater; keep them away from sides and rear as well.
3. Always unplug heater when it's not in use.
4. Do not operate the fireplace if it has a damaged cord or plug, after it has malfunctioned, or if the unit has been dropped or damaged in any way.
5. Never place the heater where it may fall into a bathtub or other water containers.
6. Do not run the cord under carpeting. Do not cover the cord with throw rugs, runners or anything else. Arrange the cord away from traffic areas where it could not be tripped over.
7. To disconnect the heater, turn the controls to "OFF" before removing the plug from the outlet.
8. Do not insert or allow foreign objects to enter any ventilation or exhaust opening, as this may cause an electric shock, fire or damage to the heater.
9. To prevent a possible fire, do not block air intakes in any manner.
10. A heater has hot and arcing or sparking parts inside. Do not use it in areas where gasoline, paint or flammable liquids are used or stored.
11. Use this heater only as described in this manual. Any other use not recommended by the manufacturer may cause fire, electric shock or injury to persons.
12. Avoid the use of an extension cord because the extension cord may overheat and cause a fire.
13. Always use properly grounded fused and polarized outlets.
14. Always use ground fault protection where it is required by electrical codes.
15. Always disconnect the power before performing any cleaning, maintenance or relocation of the heater.
16. To prevent a possible fire, do not burn wood or other materials in this heater.
17. To prevent electric shock or fire, always use a certified electrician, should new circuits or outlets be required.
18. When transporting or storing the heater, keep it in a dry place, free from excessive vibration.
 1. This appliance should not be modified under any circumstances.
 2. Packaging material should be kept away from children and be disposed of in a safe manner. Plastic bags are not toys and should be kept away from children and infants.
 3. Do not use this heater in small rooms when they are occupied by persons not capable of leaving the room on their own, unless constant supervision is provided.
 4. If the glass is damaged, do not use the heater in order to avoid a hazard.
 5. Children of less than 3 years should be kept away from unless continuously supervised.
 6. **CAUTION** Some parts of this product can become very hot and cause burns. Particular attention has to be given where children and vulnerable people are present.

Cautions

Do's	• Always install the heater in accordance with this guide. If in doubt obtain expert advice.
	• Always make sure the electrical socket is accessible and located adjacent to, but not above the heater.
	• Always disconnect the heater from the electrical supply before moving it, or carrying out cleaning, maintenance.
	• Always make sure the heater is firmly secured to prevent it from being tipped over.
	• Always use a fireguard when young children and infirm persons can come into contact with the heater.
Don'ts	• Never leave children unsupervised in a room where the heater is ON and unguarded.
	• Never obstruct or cover the fan outlet or force items into heater openings.
	• Never install or use the heater anywhere where water is in use, i.e. Bathrooms, Kitchens, Shower Rooms, and Swimming Pool etc.
	• Never use aerosols or steam cleaners on or around the heater.
	• Never route the mains supply cable under carpet etc.
	• Never install the heater close to curtains or combustible materials.
	• Never use the heater to dry clothes etc.
	• Never sit or stand on the heater.
	• Never use with a timer or any other device that switches the fire on automatically.

UNPACKING AND TESTING APPLIANCE

Carefully remove the appliance from the box. Prior to installing the appliance, test to make sure the appliance operates properly by plugging the power supply cord into a conveniently located 120 Volt grounded outlet.

Test all aspects of its operation (manual switches, remote and heater) to make sure all components operate correctly.

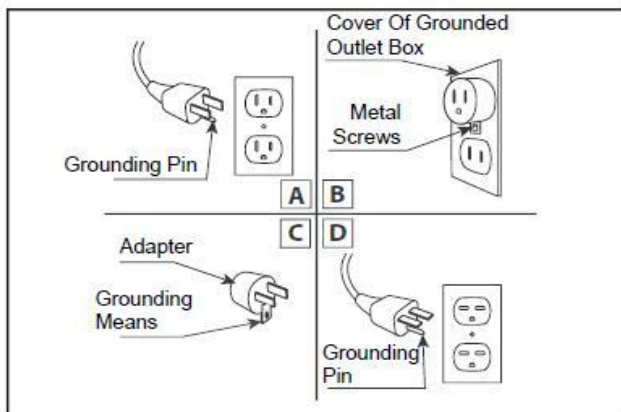
As with most electronic devices, your new electric fireplace has been designed to operate at temperatures between 5 (41) and 35 (95). During the cold winter months, allow the fireplace to reach room temperature before turning it on.

NOTE: There may be trace of odor during the first few minutes of initial use. This is harmless, normal and will never occur again.

GROUNDING APPLIANCE

This appliance is for use on 120 Volts. The cord has a plug as shown in (A). An adapter as shown in (C) is available for connecting three-blade grounding type plugs to two-slot receptacles. The green grounding lug extending from the adapter must be connected to a permanent ground such as a properly grounded outlet box. The adapter should not be used if a three-slot grounded receptacle is available.

To disconnect appliance, turn controls to off, then remove plug from outlet.



LOCATING THE FIREPLACE

Plan where to locate and frame the fireplace. This will save time and money later when you install the fireplace. Before installation consider the following:

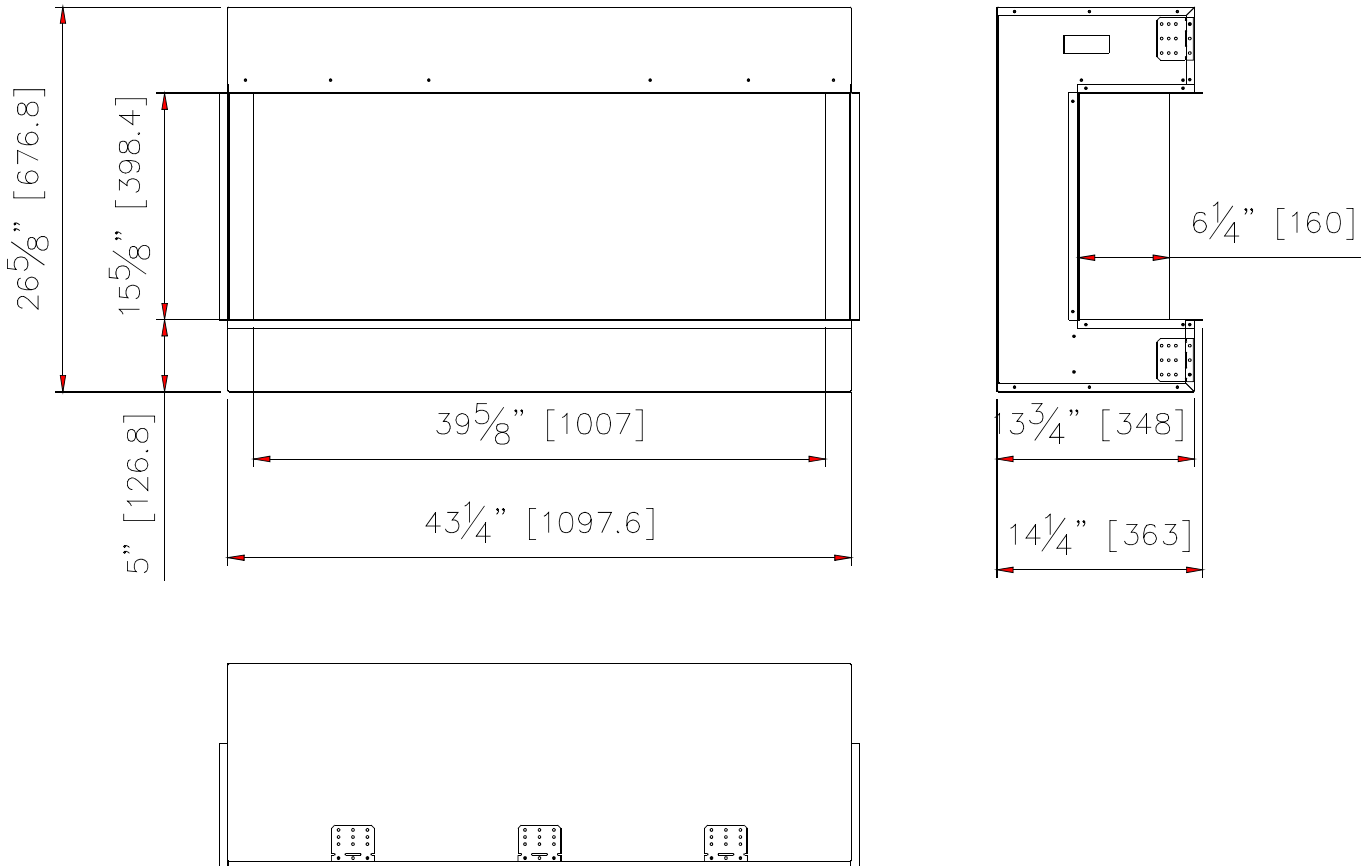
1. Where the fireplace is located must allow for wall and ceiling clearances (see INSTALLATION)
2. Consider a location where the fireplace screen will not be exposed to direct sunlight from windows or doors.
3. A 15 ampere, 120 Volt, 60 Hz branch circuit with proper ground must be available at the location. Preferably a dedicated branch circuit should be provided to avoid circuit breakers to trip or fuses to blow.

40-TRU-VIEW-XL

Description	Built-in Appliance
Voltage	120V AC 60Hz
Watts	1500W Max
NO HEATER	25W
MOTOR HEATER	19W
Appliance Width	43 1/4" or 109.7 cm
Appliance Height	26 5/8" or 67.7 cm
Appliance Depth	14 1/4" or 36.3 cm
Gross Weight	121.3lbs or 55kg
Plug Location	Left side
Cord Length	70 7/8" or 180 cm
Rough Wall Opening Size	43 3/4" × 27 5/8" or 136.5 cm × 70.2 cm
BTU	4800

This appliance has been tested in accordance with the UL Standard 2021 for fixed and location dedicated electric room appliances in the United States and Canada. If you need assistance during installation, please contact your local dealer.

NOTE: This appliance must be electrically wired and grounded in accordance with local codes. In the absence of local codes, use the current CSA C22.1 Canadian Electrical Code in Canada or the ANSI/NFPA 70 National Electrical Code in the United States.

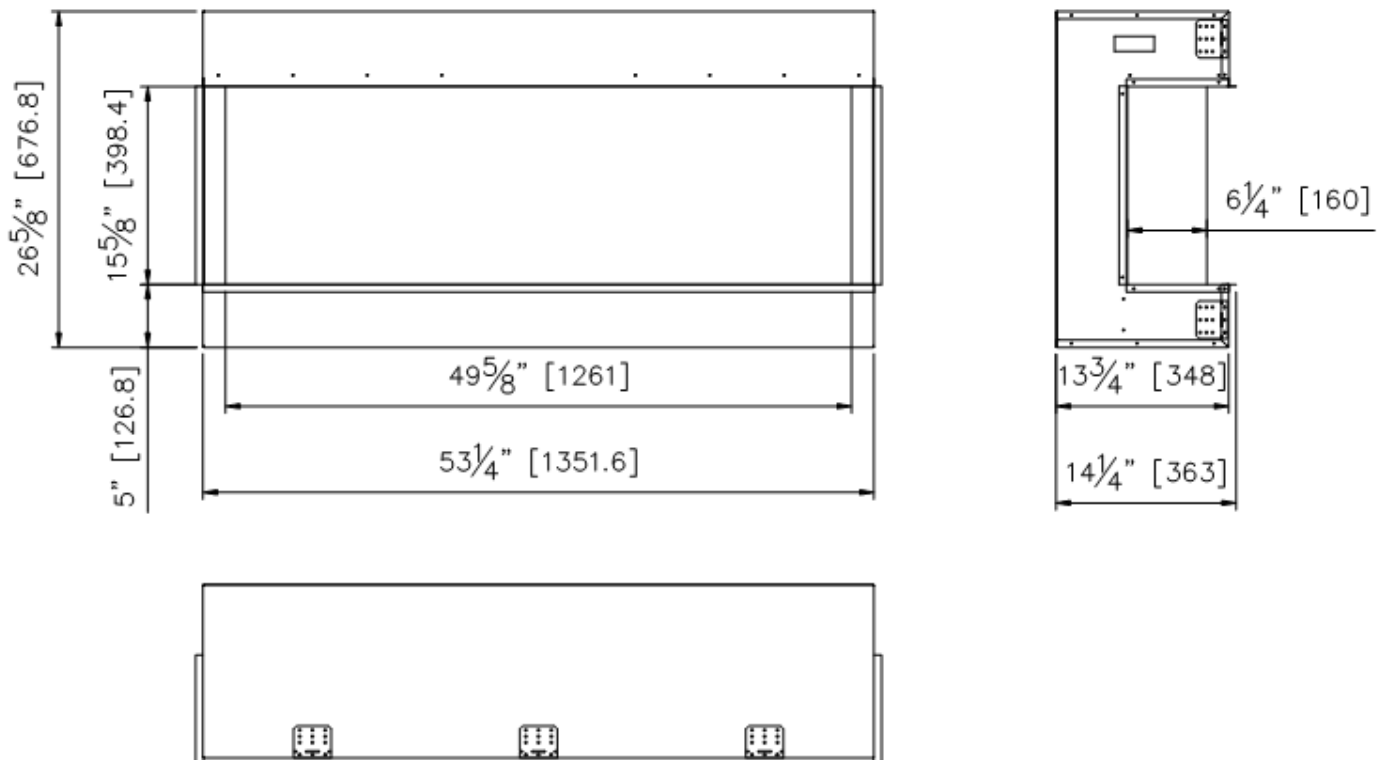


50-TRU-VIEW-XL

Description	Built-in Appliance
Voltage	120V AC 60Hz
Watts	1500W Max
NO HEATER	25W
MOTOR HEATER	19W
Appliance Width	53 1/4" or 135.2 cm
Appliance Height	26 5/8" or 67.7 cm
Appliance Depth	14 1/4" or 36.3 cm
Gross Weight	123.5lbs or 56kg
Plug Location	Left side
Cord Length	70 7/8" or 180 cm
Rough Wall Opening Size	53 3/4" × 27 5/8" or 136.5 cm × 70.2 cm
BTU	4800

This appliance has been tested in accordance with the UL Standard 2021 for fixed and location dedicated electric room appliances in the United States and Canada. If you need assistance during installation, please contact your local dealer.

NOTE: This appliance must be electrically wired and grounded in accordance with local codes. In the absence of local codes, use the current CSA C22.1 Canadian Electrical Code in Canada or the ANSI/NFPA 70 National Electrical Code in the United States.

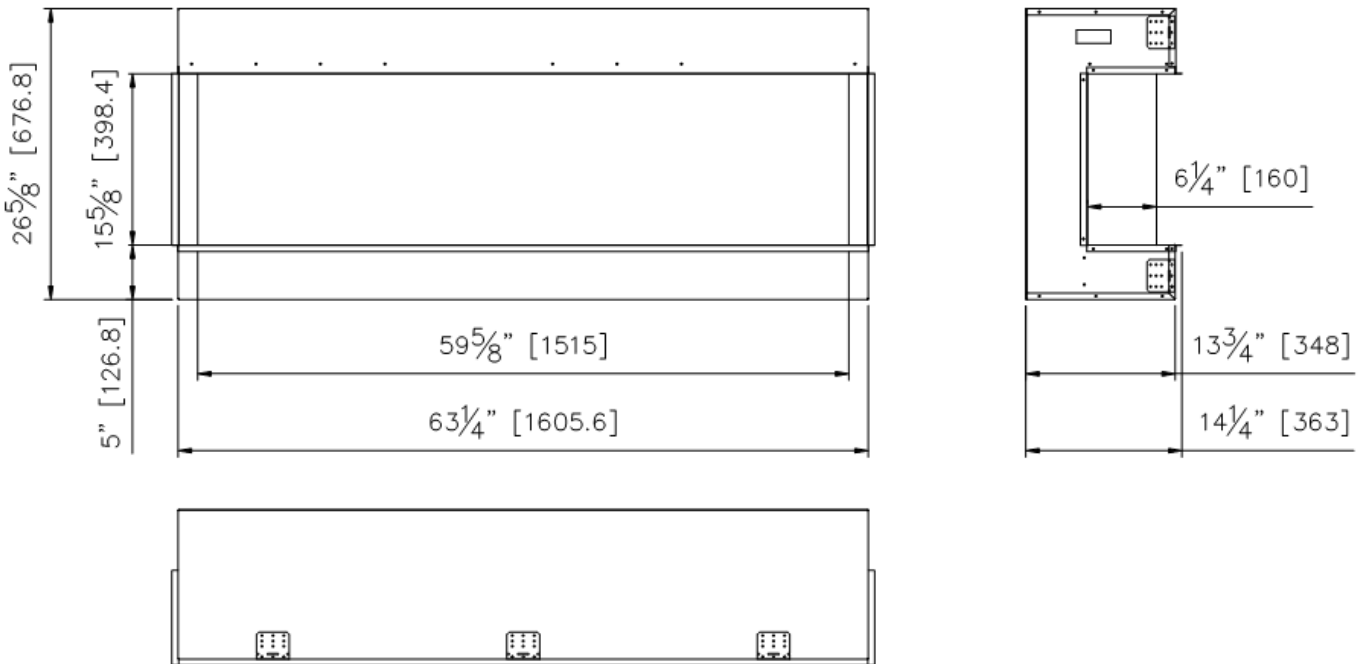


60-TRU-VIEW-XL

Model Number	Build-in Appliance
Voltage	120V AC 60Hz
Watts	1500W Max
NO HEATER	25W
MOTOR HEATER	19W
Appliance Width	63 1/4" or 160.6 cm
Appliance Height	26 5/8" or 67.7 cm
Appliance Depth	14 1/4" or 36.3 cm
Gross Weight	141lbs or 64kg
Plug Location	Left side
Cord Length	70 7/8" or 180 cm
Rough Wall Opening Size	63 3/4" × 27 5/8" or 161.9 cm × 70.2 cm
BTU	4800

This appliance has been tested in accordance with the UL Standard 2021 for fixed and location dedicated electric room appliances in the United States and Canada. If you need assistance during installation, please contact your local dealer.

NOTE: This appliance must be electrically wired and grounded in accordance with local codes. In the absence of local codes, use the current CSA C22.1 Canadian Electrical Code in Canada or the ANSI/NFPA 70 National Electrical Code in the United States.

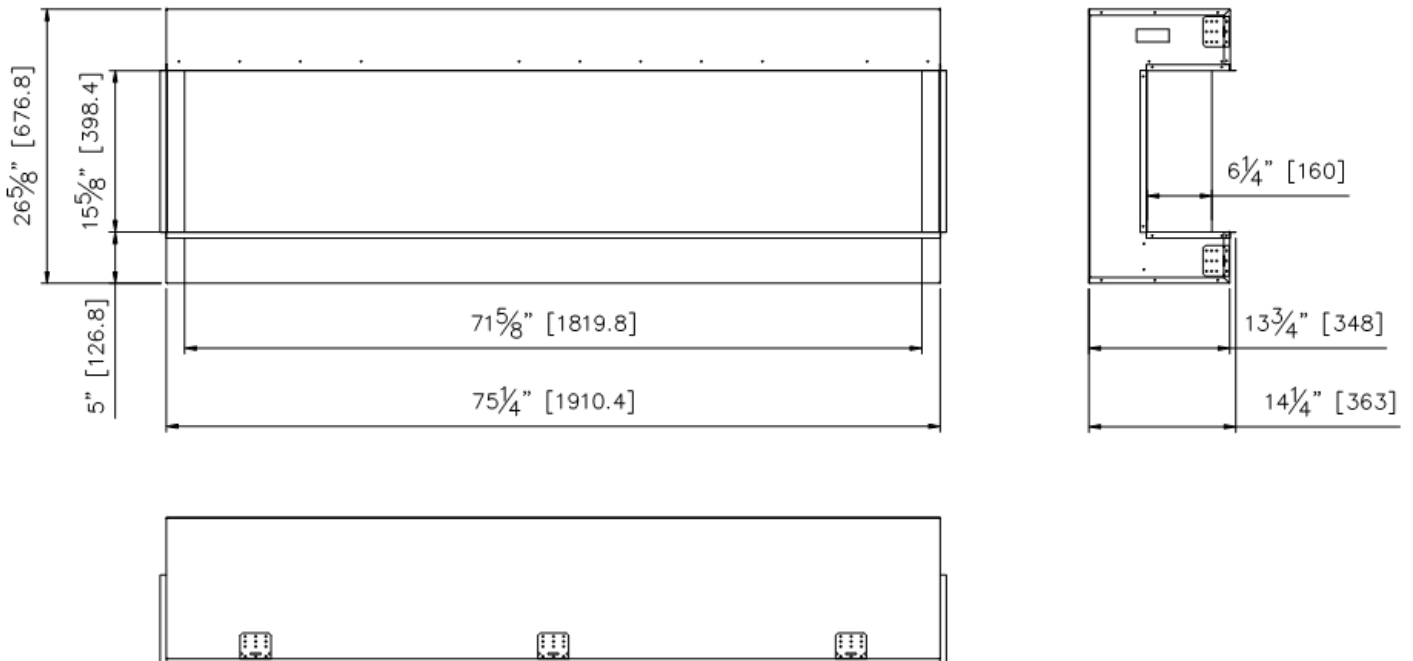


72 –TRU-VIEW-XL

Description	Built-in Appliance
Voltage	120V AC 60Hz
Watts	1500W Max
NO HEATER	25W
MOTOR HEATER	19W
Appliance Width	75 1/4" or 191 cm
Appliance Height	26 5/8" or 67.7 cm
Appliance Depth	14 1/4" or 36.3 cm
Gross Weight	165lbs or 75kg
Plug Location	Left side
Cord Length	70 7/8" or 180 cm
Rough Wall Opening Size	75 3/4" × 27 5/8" or 192.4 cm × 70.2 cm
BTU	4800

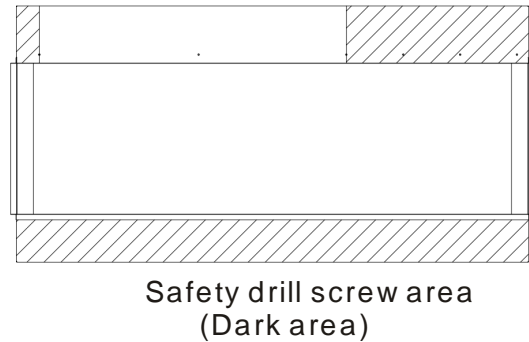
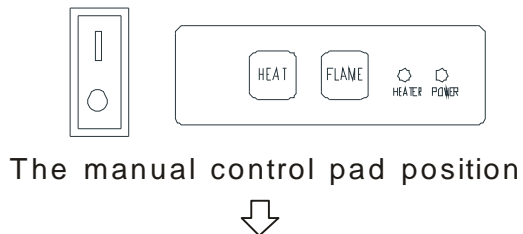
This appliance has been tested in accordance with the UL Standard 2021 for fixed and location dedicated electric room appliances in the United States and Canada. If you need assistance during installation, please contact your local dealer.

NOTE: This appliance must be electrically wired and grounded in accordance with local codes. In the absence of local codes, use the current CSA C22.1 Canadian Electrical Code in Canada or the ANSI/NFPA 70 National Electrical Code in the United States.



SAFETY DRILL SCREW AREA

There is a safety drill screw area as show below.
Please make sure that the fix screws are in this area.



HARD- WIRE INSTALLATION

Turn off the appliance completely and let cool before servicing. Only a qualified service person should service and repair this electric appliance.

If it is necessary to hard wire this appliance, a qualified electrician must remove the cord connection, and wire the appliance directly to the household wiring.

This appliance must be electrically connected and grounded in accordance with local codes, if hard wired. In the absence of local codes, use the current CSA C22.1 CANADIAN ELECTRICAL CODE in Canada or the current ANSI/NFPA 70 NATIONAL ELECTRICAL CODE in the United States.

1. Remove the cover plate from the left side of the appliance by removing the two screws, as shown below. Unscrew and remove power cord.



2. Attach the wiring to the junction block. Please make sure the live wire goes into the “L”, the neutral wire into “N” and the ground wire into “G”.



3. Put the plate back and screw back.

FOR BATHROOM USE

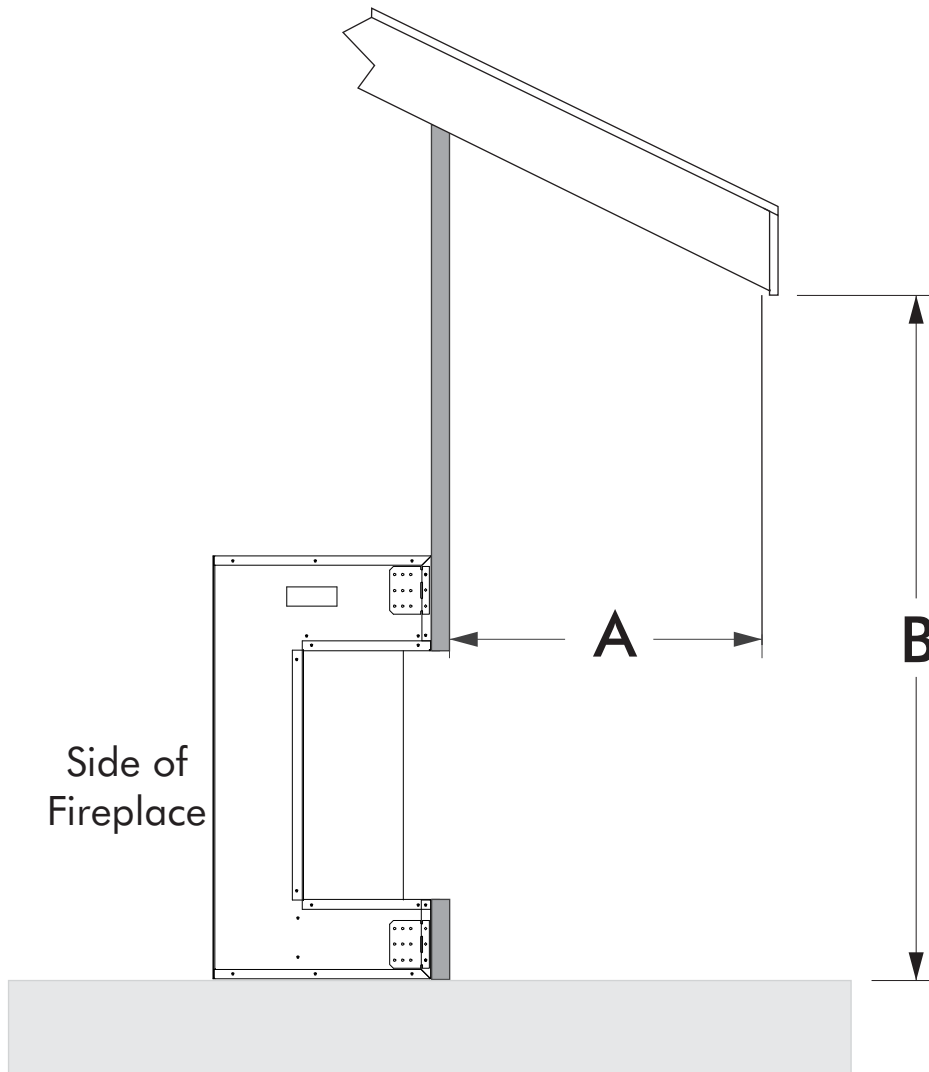
If this unit is installed in a bathroom it must be protected by a GFI receptacle or circuit. If receptacle is used it must be readily accessible.

To prevent electric shock, please be aware that this unit is an electrical appliance that is NOT watertight and must be installed as to prevent water from entering unit. This must be installed away from showers, tubs, etc. Never locate fireplace where it may fall into a bathtub or other water container.

All wiring connections to line power shall be in accordance with local building code requirements. Inquires about local codes and regulations must be done prior to installation.

OUTDOOR INSTALLATIONS

The TRU-VIEW-XL series electric fireplaces are suitable for installation in outdoor areas protected from direct water impingement. In addition to maintaining the listed mantel and combustibles clearances, a rain protection overhang factor of 1/2 shall be constructed to the front and to each side of the installed appliance. See illustration below. All wiring connections to line power shall be in accordance with local building code requirements. Inquires about local codes and regulations must be done prior to installation.



The overhang (A) must extend at least 1/2 the roof-line height (B). Height is measured from the base of the fireplace.

For example: if the roof-line (B) is 8' above the base of the fireplace, the overhang (A) must be at least 4'.

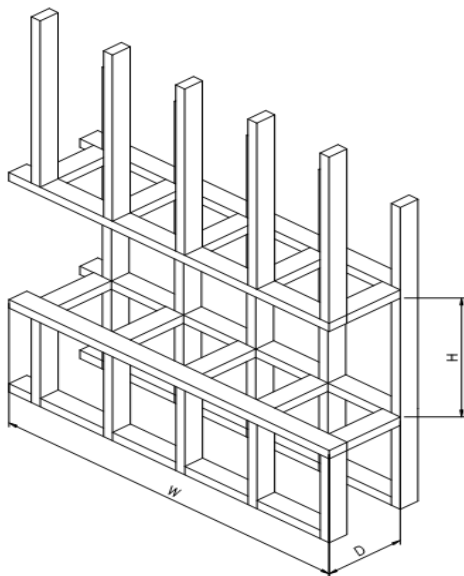
INSTALLATION

The TRU-VIEW-XL models are designed to be built-in and allow for the finishing material (drywall, stone, tile, etc) to be built right down to the glass edge.

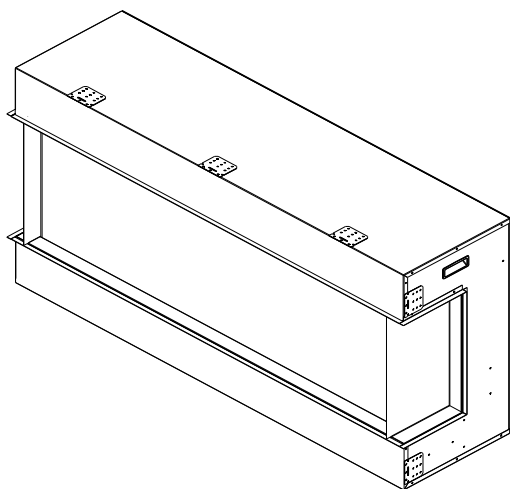
The rough wall opening size of the fireplace:

NOTE: Due to the many different materials used on different walls, it is highly recommended that you consult your local builder before you install this appliance.

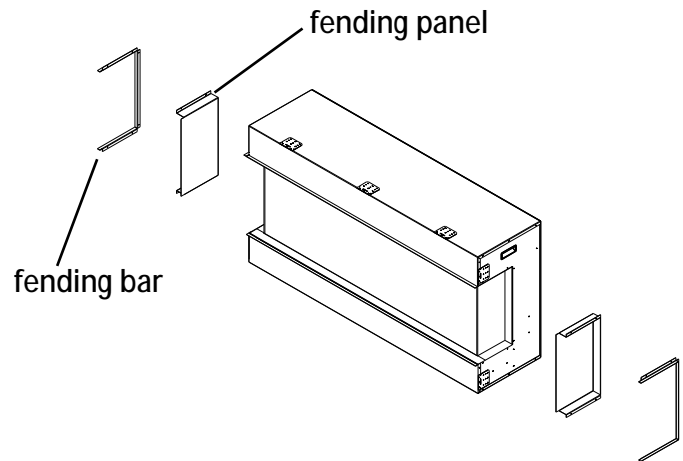
	W(")	D(")	H(")
40-TRU-VIEW-XL	43 3/4	14 3/4"	27 1/8
50-TRU-VIEW-XL	53 3/4	14 3/4"	27 1/8
60-TRU-VIEW-XL	63 3/4	14 3/4"	27 1/8
72-TRU-VIEW-XL	75 3/4	14 3/4"	27 1/8



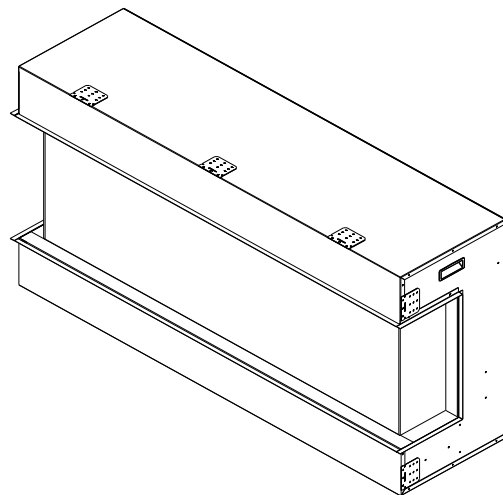
1. Product is fixed with fending bars and panels on the left and right side.



2. Take off the fending bars and panels if you want to view the fire from three angles.

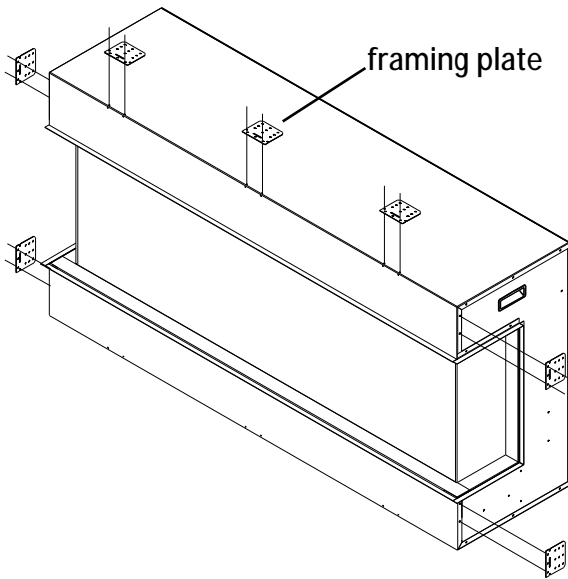


3. Fix back the fending bar after the panel is removed.

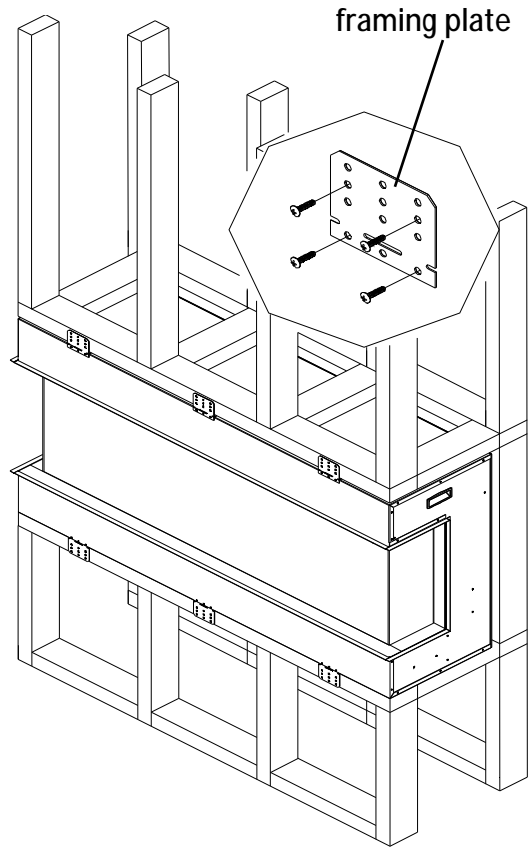


4. Remove the framing plates from the fireplace and fix them as the picture shows.

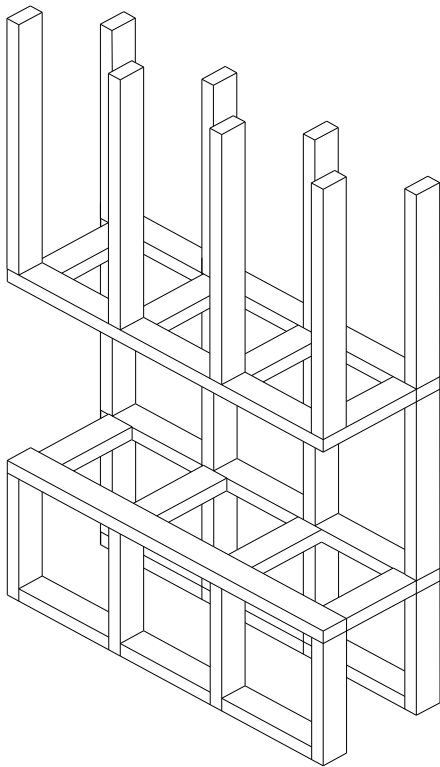
Note: After removing framing plates on the left and right sides, screw back the screws.



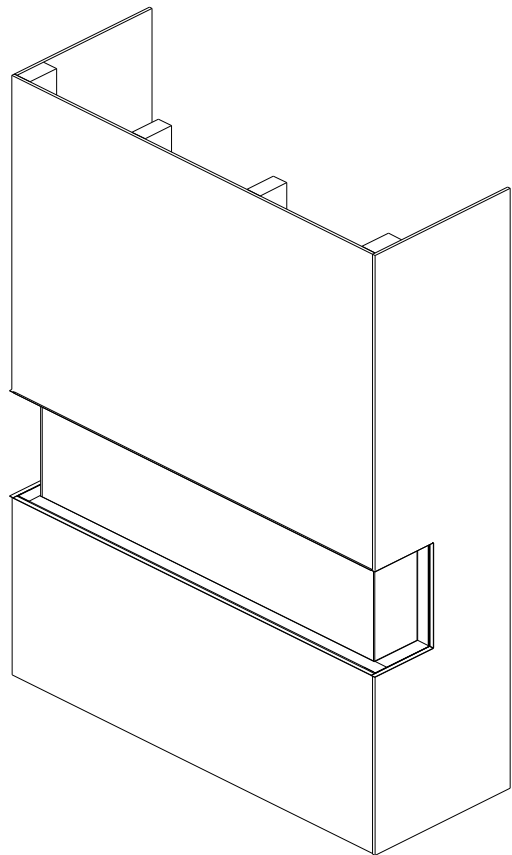
5. Make an opening for the fireplace according to requested measurement.



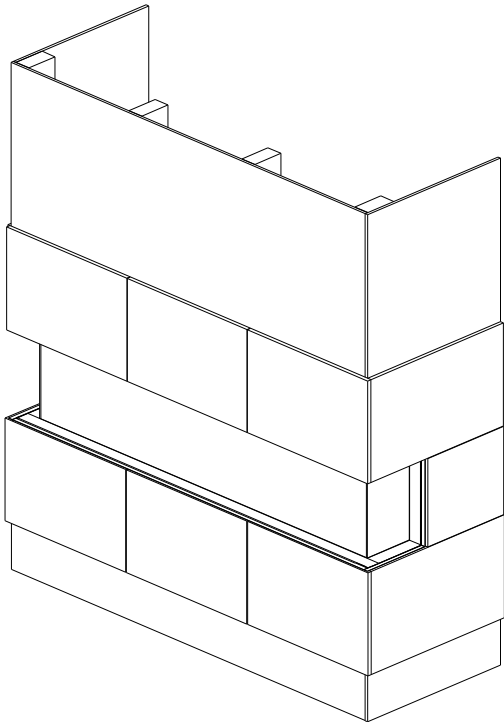
7. After checking that the fireplace operates properly, cover the glass panels with protective plastic bag and install plywood or drywall.



6. Insert the fireplace into the wall opening. Drive the mounting screws into the frame plates on the unit and the wall studs. To fix the bottom of the fireplace and the wall studs with the framing plates that you've removed from left and right side of the fireplace at STEP 4. Plug in and check if the fireplace works.

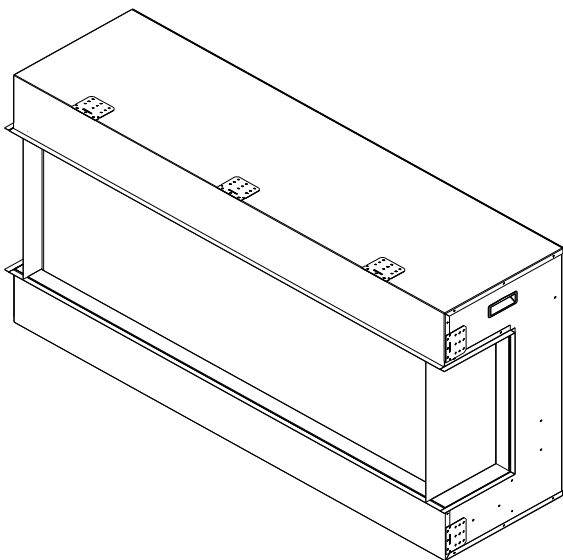


8. Decorate the plywood or drywall with glazed tile, wallpaper, etc.



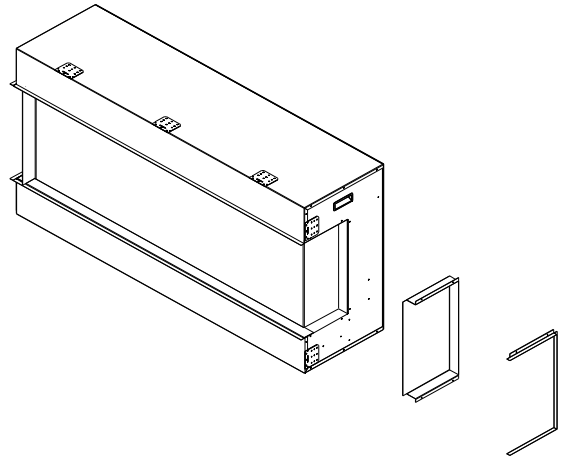
Installation for Front and Right Side Viewing

1. To install the fireplace where the left side is close to a wall, and you want to view the fire from front and right side, take off the fending panel on the right.

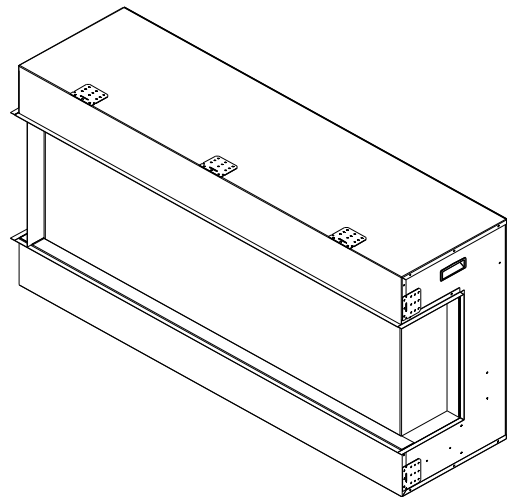


2. Unscrew 7 screws on the right side that fix the fending bar and panel and then take off the

fending bar and panel.

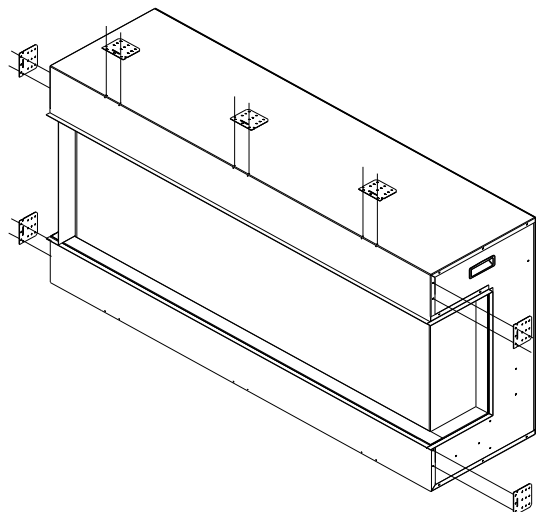


3. After the fending panel is removed, screw back the bar.

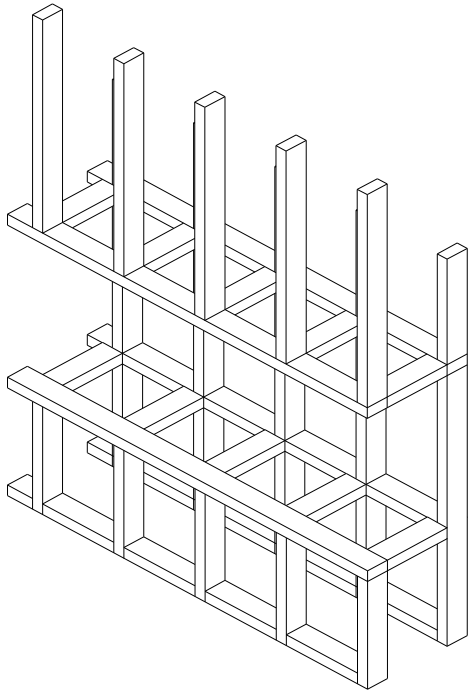


4. Remove the framing plates from the fireplace and fix them as the picture shows.

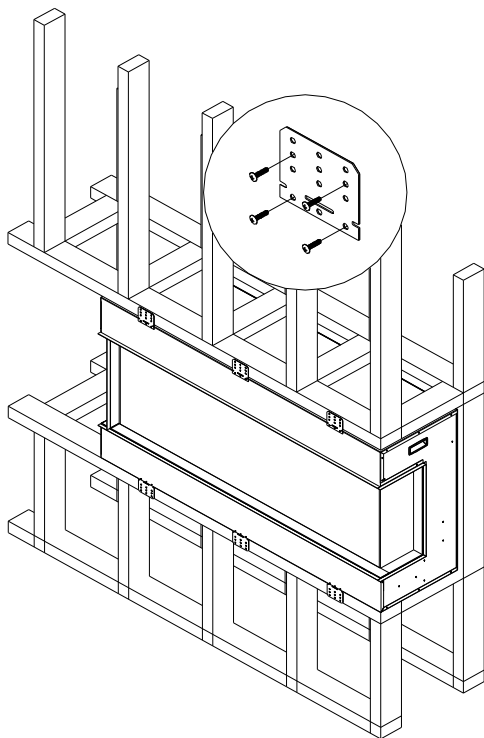
Note: After removing framing plates on the left and right sides, screw back the screws.



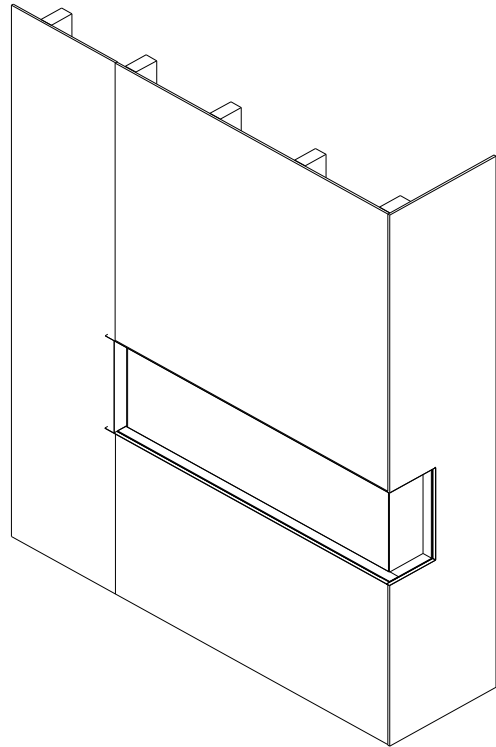
5. Make an opening for the fireplace according to requested measurement.



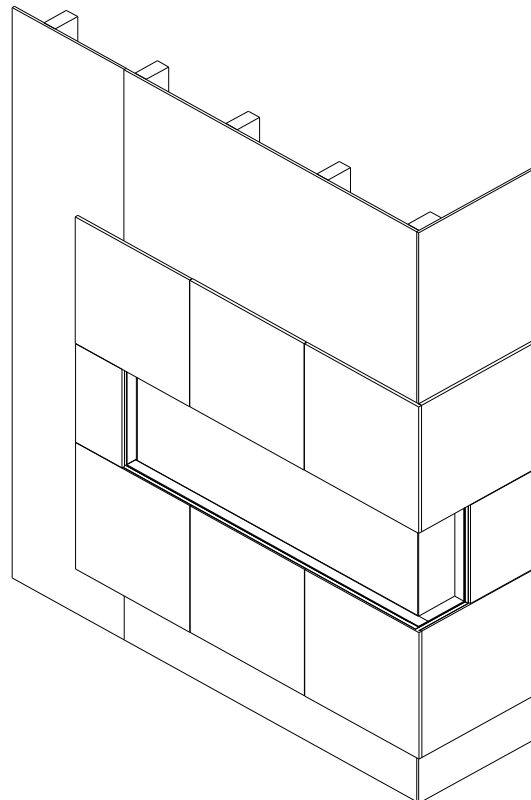
6. Insert the fireplace into the wall opening. Drive the mounting screws into the frame plates on the unit and the wall studs. To fix the bottom of the fireplace and the wall studs with the framing plates that you've removed from left and right side of the fireplace at STEP 4. Plug in and check if the fireplace works.



7. After checking that the fireplace operates properly, cover the glass panels with protective plastic bag and install plywood or drywall.

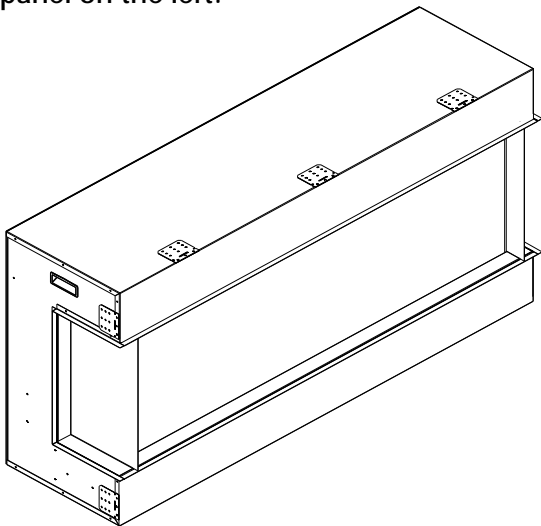


8. Decorate the plywood or drywall with glazed tile, wallpaper, etc.

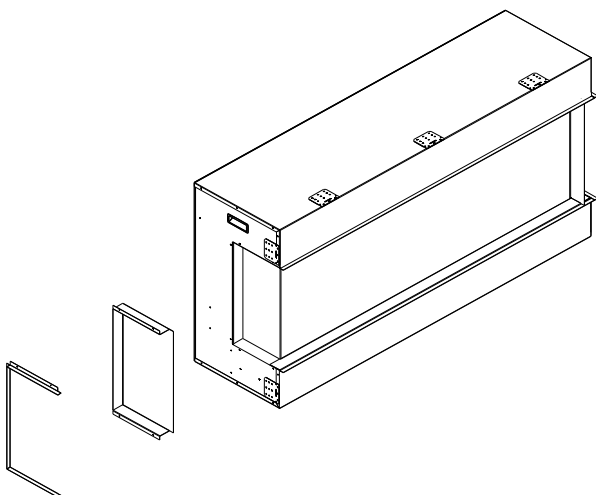


Installation for Front and Left Side Viewing

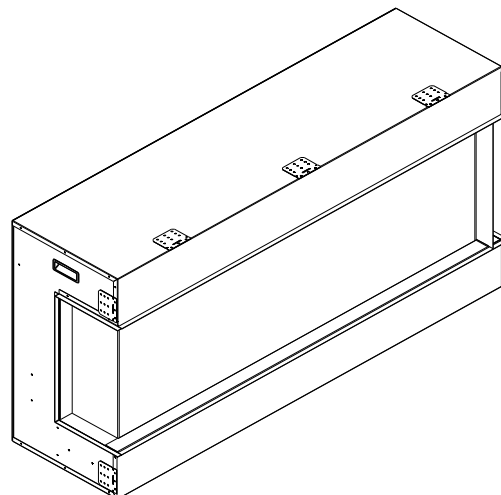
1. Install the fireplace where the right side is close to a wall, and you want to view the fire from front and left side, take off the fending panel on the left.



2. Unscrew 7 screws on the right side that fix the fending bar and panel and then take off the fending bar and panel.

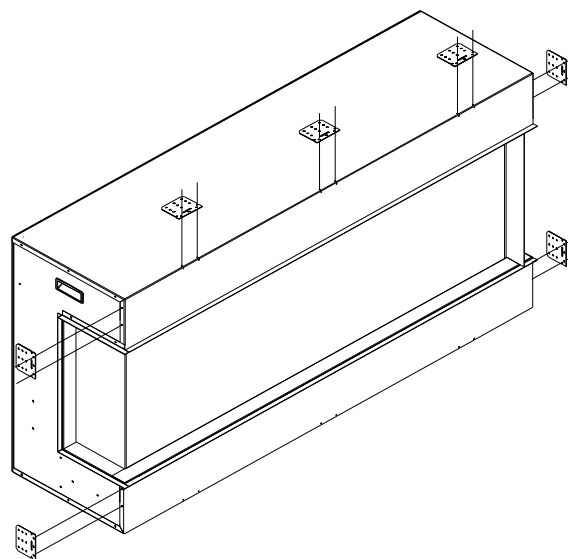


3. After the fending panel is removed, screw back the bar.



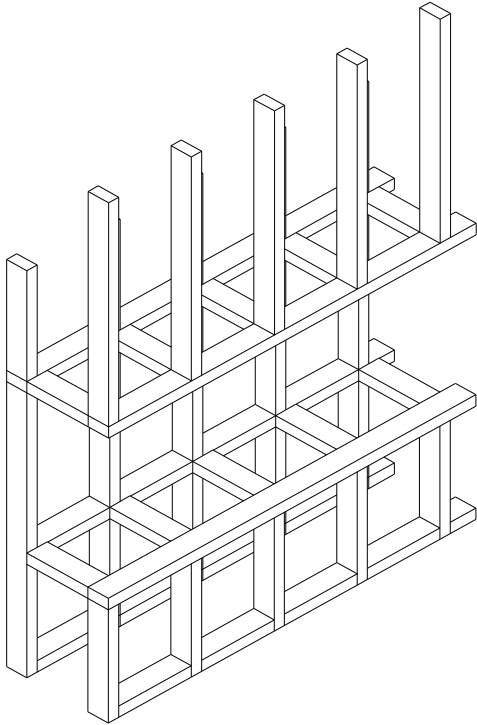
4. Remove the framing plates from the fireplace and fix them as the picture shows.

Note: After removing framing plates on the left and right sides, screw back the screws.

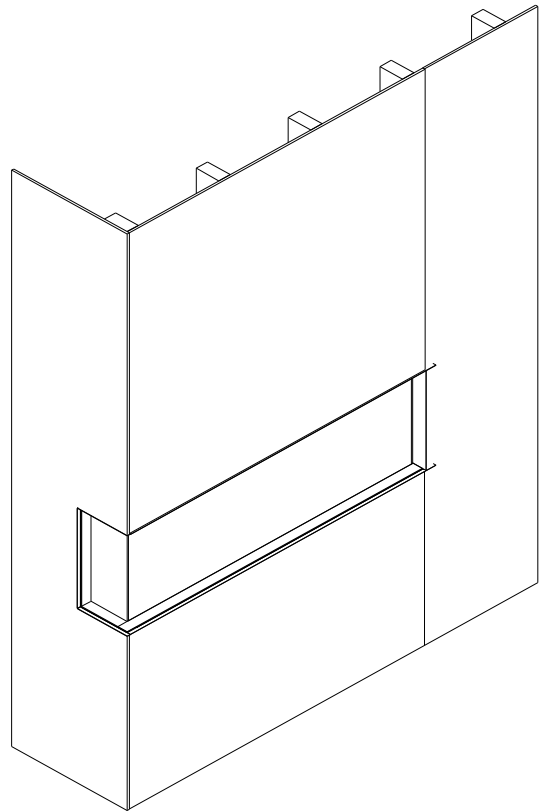


5. Make an opening for the fireplace according to requested measurement.

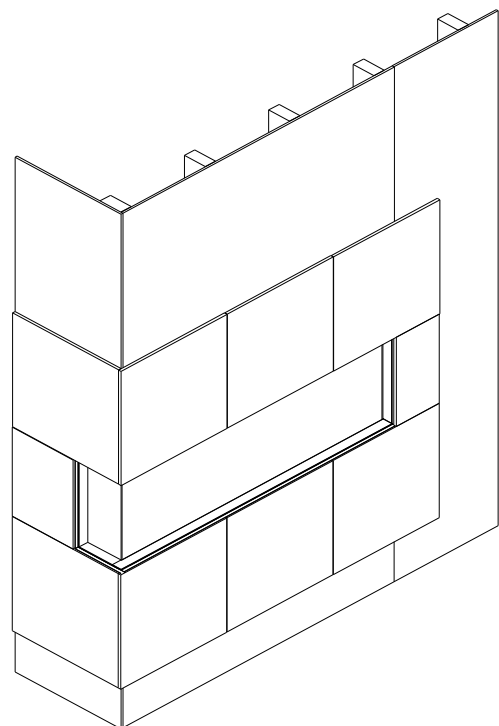
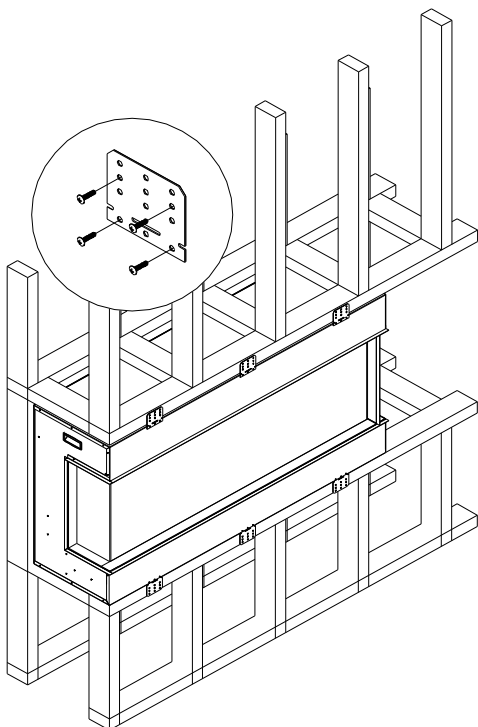
7. After checking that the fireplace operates properly, cover the glass panels with protective plastic bag and install plywood or drywall.



6. Insert the fireplace into the wall opening. Drive the mounting screws into the frame plates on the unit and the wall studs. To fix the bottom of the fireplace and the wall studs with the framing plates that you've removed from left and right side of the fireplace at STEP 4. Plug in and check if the fireplace works.



8. Decorate the plywood or drywall with glazed tile, wallpaper, etc.



Media Options

The 40-TRU-VIEW-XL is shipped with 1 set of FI-109-DIAMOND, 50-TRU-VIEW-XL and 60-TRU-VIEW-XL are shipped with 2 sets of FI-109-DIAMOND, 72-TRU-VIEW-XL is shipped with 3 sets of FI-109-DIAMOND.



FI-109-DIAMOND

3 glass nuggets, 1 bag of clear, 1 bag of small clear, 1 bag of clear diamond and 1 bag of blue diamond.

The TRU-VIEW models also come with the DESIGN-MEDIA-11PCE Kit featuring an 11 pcs deluxe log set, pebbles, stones, black glass and an assortment of vermiculite embers. The DESIGN-MEDIA kits come in a separate box.



11-Piece Log set



Black fire glass



90-piece pebble



9 pce Rocks



embers 1



embers 2



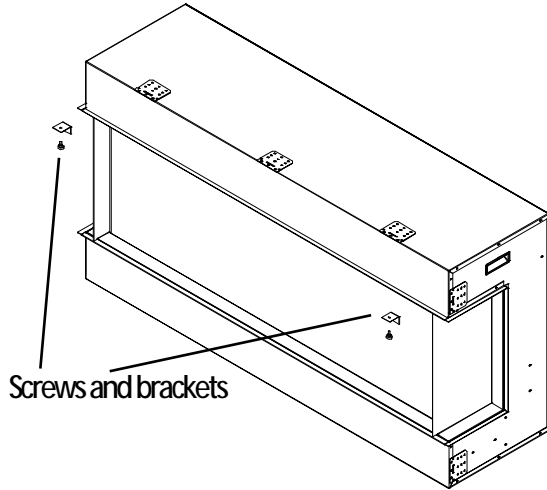
embers 3



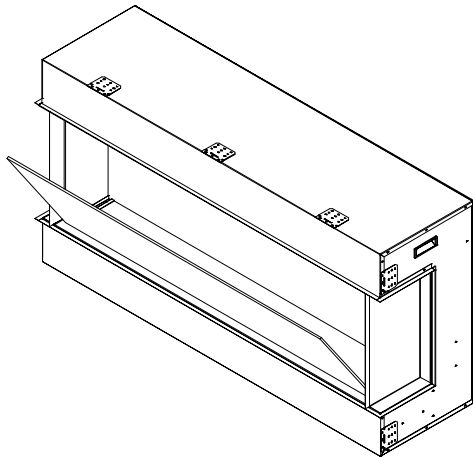
embers 4

Media Operation

1. Unscrew 2 screws and take off two brackets which are fending the front glass panel.



2. After the brackets are removed, the front glass panel will fall down automatically.



3. Take off the front glass panel and put it in safe place.

4. Installing the fire glass media. Pour the fire glass media into the tray as shown below. Feel free to use any combination of fire glass media that you find most appealing.



5. Put back the front glass and screw back the bracket.


OPERATION

The fireplace can be operated either by the switches located on the left bottom of the fireplace unit or by supplied remote control.

Plug the fireplace into a 15 Amp wall socket.



MANUAL OPERATION



1. The main power ON/OFF switch in position O, the fireplace is OFF.
2. When main power ON/OFF switch is at position I, the fireplace is ready to use.
3. Press the  button repeatedly to set the heater to desired heat setting. The heater indicator LED will glow which shows the current heater settings.
 - a) RED 1500W HEAT OUTPUT
 - b) BLUE 750W HEAT OUTPUT
 - c) PURPLE AUTO MODE

AUTO MODE

Under this mode the heater will automatically turn ON at high heat setting 1500W heat output when the room temperature drops below 22°C (72°F). When the room temperature is between 22-25°C (72-77°F) the heater output will switch to low heat setting 750W. When the room temperature goes above 25°C (77°F) the heater will be turned off and the cycle will continue. The LED indicator will be PURPLE in colour under this mode.

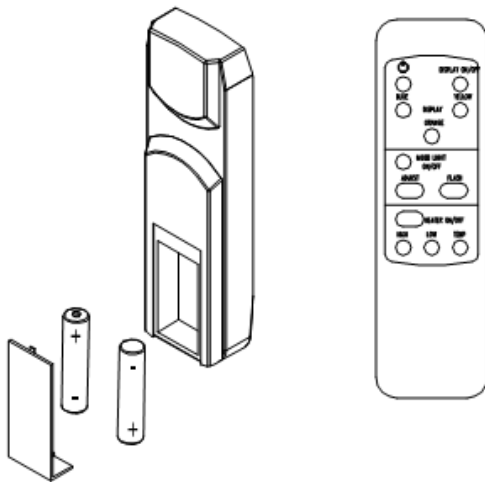
4. Flame effect: Press the button marked  to adjust the flame brightness. The flame brightness will cycle through –Low-Medium-High -OFF.
5. Mood light effect: Press the button marked  to change the mood light colour.

NOTE: If operated at the Low heat setting, the fireplace will not provide as much heat output as in the High heat setting, however the low setting will not require as much electrical power to operate. To avoid overloading a circuit, do not plug the fireplace into a circuit that already has other appliances working. When the fireplace is not in use switch off and unplug.

SAFETY CUT-OFF


- This appliance is fitted with a safety cut-off which will operate if the fireplace overheats (eg. Due to blocked air vents). For safety reasons, the fireplace will NOT automatically reset.
- To reset the appliance, disconnect the appliance from the main supply for at least 10 minutes. Reconnect the main power supply and put the main power switch to the ON position.

REMOTE CONTROL OPERATION



For remote to function make sure the heater is plugged in and main power switch located on the bottom left hand side is at position I.

When operating the remote make sure you point the remote to the centre of the fireplace and make sure each time you press the button. The buzzer inside the unit will beep once. It takes some time for the receiver to respond to the transmitter. Do not PRESS the buttons more than once within two seconds for correct operation.

Power on  button: The power-on button at top left corner of the remote is the main ON/OFF power button. This will turn off all the functions and the fireplace will be in standby mode.

DISPLAY ON/OFF button: Switching the fireplace flame and tray light ON/OFF. It has functions of setting memory.

DISPLAY BLUE button: Adjust the blue color brightness of flame and tray.

DISPLAY YELLOW button: Adjust the yellow color brightness of flame and tray.

DISPLAY ORANGE button: Adjust the orange color brightness of flame and tray.

MOOD LIGHT ON/OFF button: Switching the mood light ON/OFF.

ADJUST button: Switching the color of the mood light.

FLASH button: Switches mood light into flash mode, this cycles through all mood light colors.

HEATER ON/OFF button: Switching the heater ON/OFF. It has functions of setting memory.

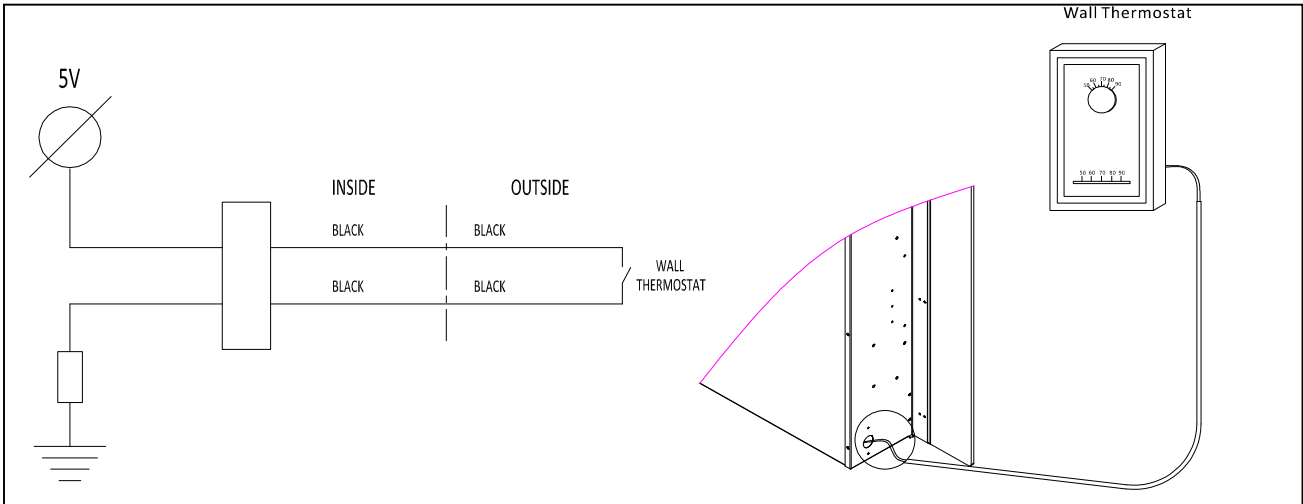
HIGHT button: Press the high button to switch the heater to high heat setting 1500W.

LOW button: Press the low button to switch the heater to low heat setting 750W.

TEMP. button: Press the TEMP. button to switch the heater to AUTO mode. Under this mode the heater will operate in similar way as explained above for the manual operation.

INSTALLING WALL THERMOSTAT

WALL THERMOSTAT WIRING DIAGRAMS

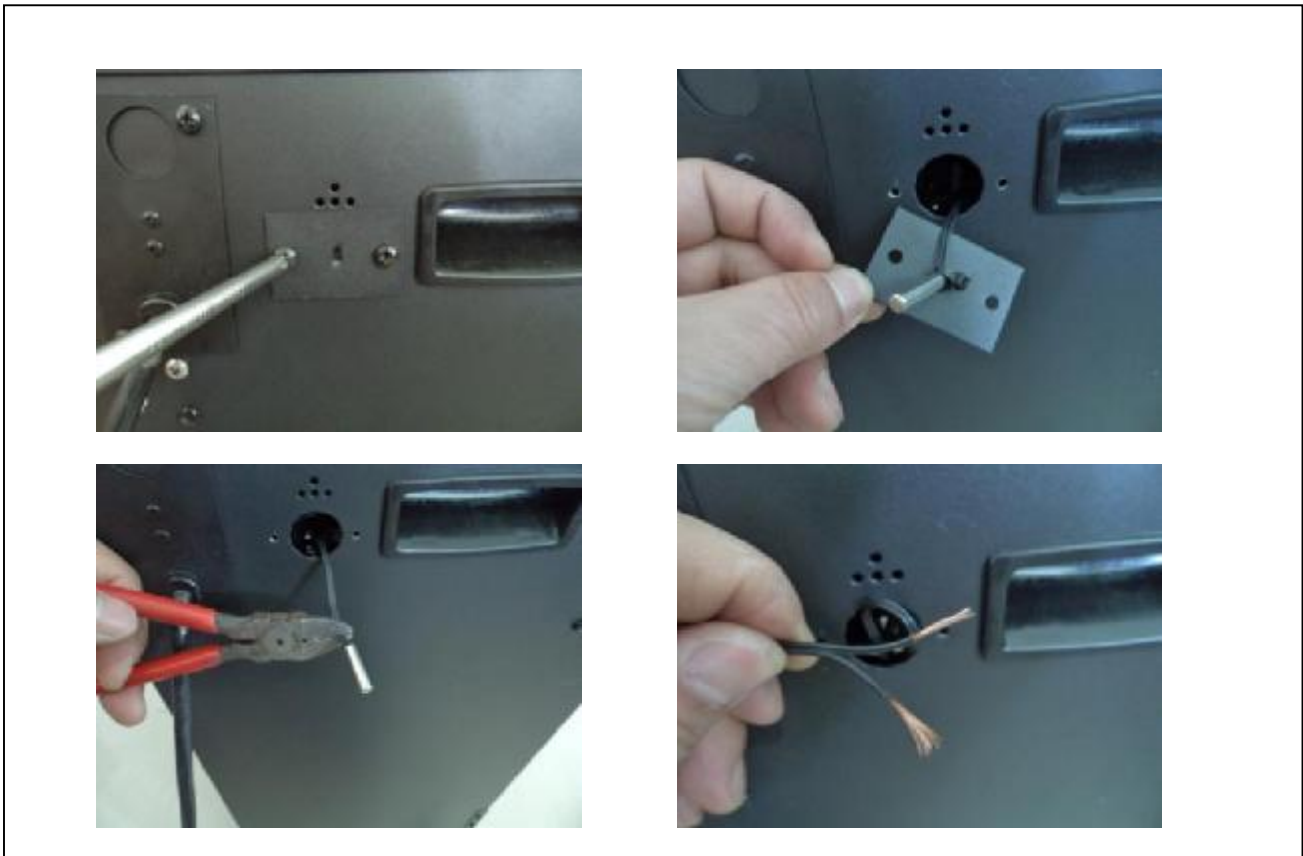


Wire the wall thermostat prior to installing the fireplace.

WALL THERMOSTAT WIRING(24 VAC)

Install Wall Thermostat per instructions provided with kit and per the following information:

1. Turn off circuit breaker.
2. Remove cover plate located on the left side of appliance.
3. Pull the wire out and cut the inside thermostat. Connect the wires to the wall thermostat as shown below. Follow instructions provided with wall switch kit.



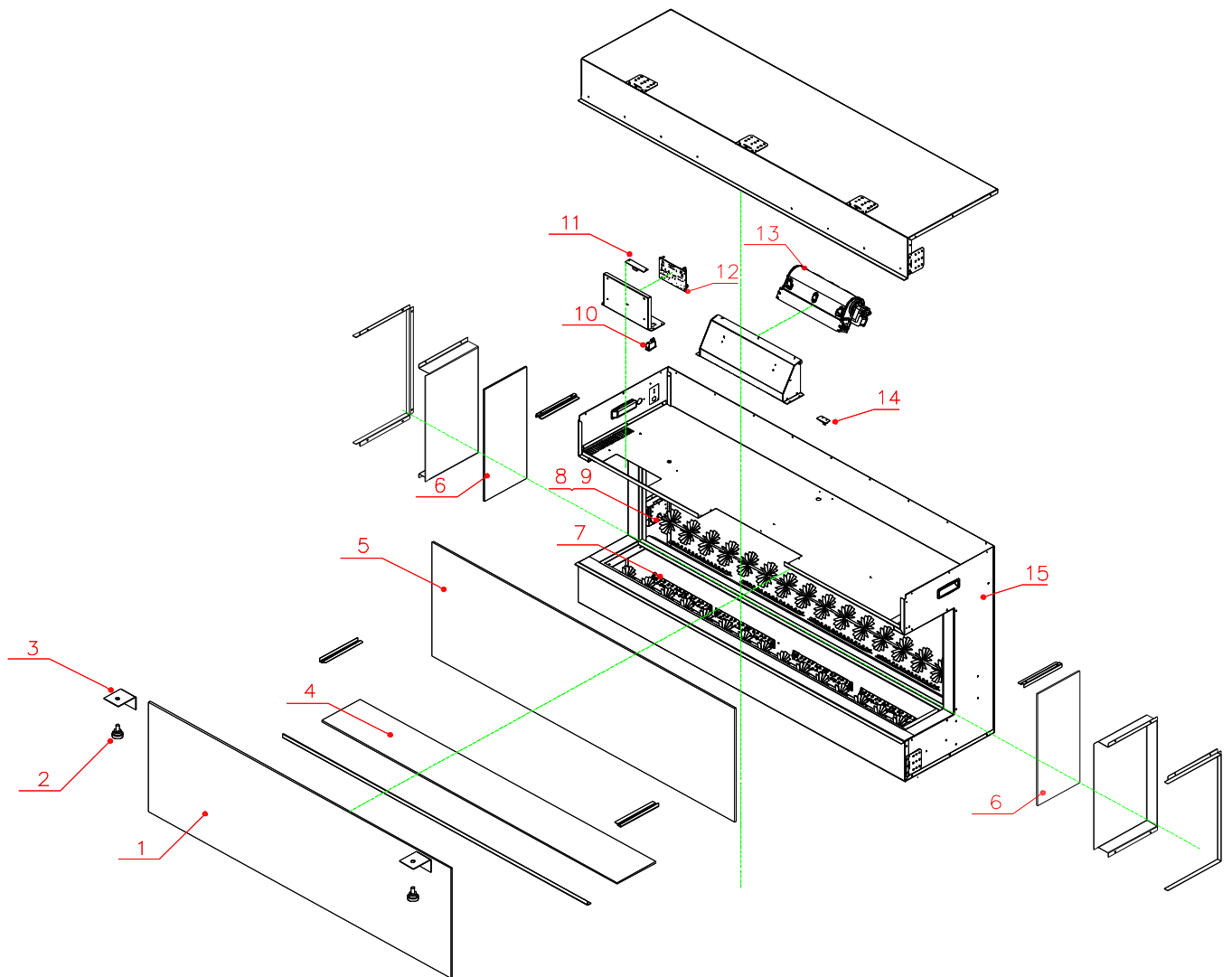
REPLACEMENT PARTS

This list contains replacement parts

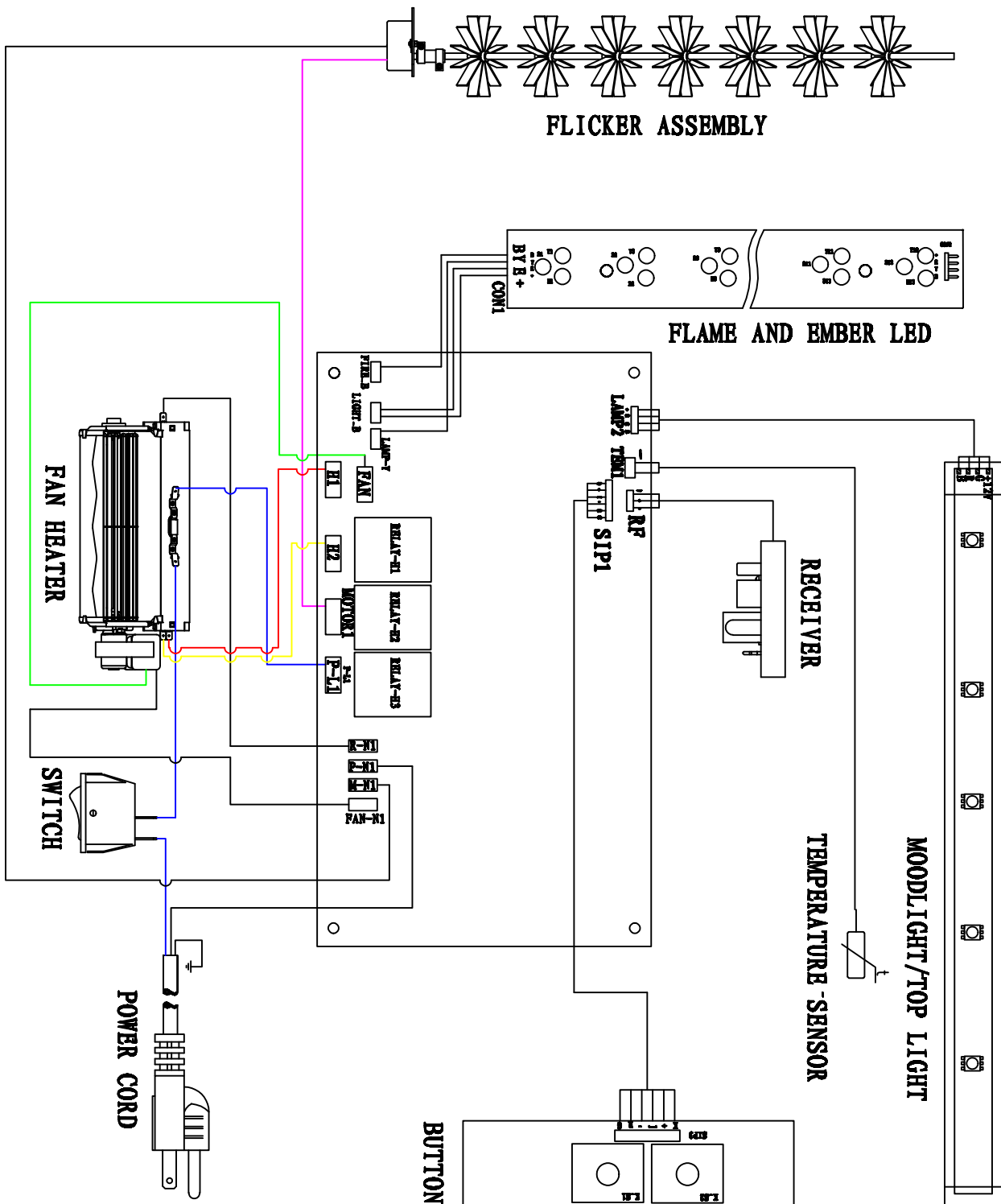
NO	PART NUMBER				DESCRIPTION	QTY.
	40-TRU-VIEW-XL	50-TRU-VIEW-XL	60-TRU-VIEW-XL	72-TRU-VIEW-XL		
1	10701281	10701216	10701217	10701218	FRONT CLEAR GLASS	1
2	10201505				ADJUSTABLE SCREW	2
3	3123010				FRONT CLEAR GLASS BRACKET	2
4	10702200	10702168	10702169	10702170	BOTTOM TRAY GLASS	1
5	10701284	10701219	10701220	10701221	BACK GLASS WITH BLACK PLASTIC	1
6	10701222				SIDE CLEAR GLASS	2
7	601136B	601136B	601136B	601137B	LED STRIP FOR TRAY AND FLAME	
8	3151505	3123505	3124505	3125505	FLICKER ASSEMBLY	1
9	10101225				FLAME MOTOR	2
10	10104002				SWITCH	1
11	601036				MANUAL CONTROL	1
12	601092C				CIRCUIT BOARD	1
13	602082B				BLOWER AND HEATER ASSEMBLY	1
14	601002B				REMOTE RECEIVER	1
15					THE WHOLE METAL BOX	1
16	10125021	10125022	10125023	10125024	TOP LED STRIP	1
17	10105063				REMOTER	1

***16 and 17 do not show in the exploded picture.**

EXPLODED VIEW



Wiring Diagram



TROUBLE SHOOTING

PROBLEM	POSSIBLE CAUSE	SOLUTION
Dim or no flame	Flame LED's are burnt out	Inspect the LED's and replace them if necessary.
Ember bed is not glowing or dimming	Ember LED's are burnt out	Inspect the ember bed LED's and replace them if necessary.
Appliance turns off and will not turn on	Appliance has overheated and safety device has caused the thermal switch to disconnect	Turn off the main switch, allow appliance to cool for 10 minutes, then turn it on.
	House circuit breaker has tripped	Reset house circuit breaker.
	Appliance's fuse has blown	Replace the fuse.
Appliance will not come on when switch is flipped to ON	Appliance is not plugged into an electrical outlet	Check plug and plug in.
	Appliance has overheated and safety device has caused the thermal switch to disconnect	Turn off the main switch, allow appliance to cool for 10 minutes, then turn it on.
	Circuit board is burnt out	Inspect the circuit board and replace it if necessary.
No warm air coming out of appliance	Heater is burnt out	Inspect the burner and heater assembly and replace it if necessary.
Flame sputters	Flame motor is defective.	Call a qualified service technician and replace flame motor.
Remote Control does not work.	Low batteries. Unit switch in "O" position.	Replace AAA batteries in remote control. Turn the switch in "I" position.
Flame is fixed.	Wiring may be loose or the flame motor may be defective.	

SERVICE HISTORY

This heater must be serviced annually depending on usage.

Date	Dealer Name	Service Name technician	Service Performed	Special Concerns

NOTES:

WARRANTY FOR PRODUCTS MANUFACTURED AFTER JANUARY 1st, 2016

Amantii Imports Corp. ("Amantii") warrants that your newly purchased Amantii electric fireplace is free from manufacturing and material defects for a period of two (2) years from the date of the first purchase, subject to the conditions and limitations contained below.

Warranty Application & Exclusions

This limited warranty applies to your newly purchased Amantii electric fireplace; the limited warranty's application is limited to purchases made in any province of Canada or in any of the 52 States of the United States of America, including the District of Columbia. Only the original purchaser of the product is eligible for coverage under this limited warranty; the warranty is not transferable.

Products excluded from this limited warranty

Light bulbs are not covered by this limited warranty and are the sole responsibility of the owner/purchaser. Amantii does not cover service or labor charges.

Warranty Coverage and Term

Products covered by this limited warranty have been tested and inspected prior to shipment and, subject to the provisions of this warranty, Amantii warrants such products to be free from defects in material and workmanship for a period of two (2) years from the date of the first purchase of such products.

The limited two (2) year warranty period for products also applies to any implied warranties that may exist under applicable law. Some jurisdictions do not allow limitations on how long an implied warranty lasts, so the above limitation may not apply to the purchaser.

All other warranties—expressed or implied—with respect to the product, its components and accessories or any obligation/liabilities on the part of Amantii are hereby expressly excluded.

Limitations to Coverage Under Limited Warranty

This limited warranty does not apply to products that have been repaired, except by Amantii or its authorized service representatives, or otherwise altered. This limited warranty further does not apply to defects resulting from misuse, abuse, accident, neglect, incorrect installation, improper maintenance or handling, or operation with an incorrect power source. Products made by other manufacturers, sold with the product or thereafter, are not covered by this limited warranty. The use of unauthorized components will render this warranty null and void.

Panorama Outdoor Units

All Panorama units that are installed outdoors or in moisture intense conditions must use the stainless steel cover. Proof of purchase of the cover is required for any warranty claims.

Defects

Defects must be brought to the attention of the selling dealer. Please have your proof of purchase, catalogue/model and serial numbers available when contacting dealer; any and all service under the limited warranty requires a proof of purchase of the product. Should a product or part covered by this limited warranty be proven to be defective, in material or workmanship, and during the two (2) year limited warranty period, Amantii will replace such defective product or part without charge. If Amantii is unable to replace such product, or if replacement is not commercially practicable or cannot be timely done, in its sole discretion Amantii may, in lieu of replacement, choose to refund the purchase price for such product or part. Amantii does not cover labor or service charges to replace said parts.

Limitations

In no event will Amantii, including without limitation any of its directors, officers, shareholders, employees, consultants, agents, heirs, executors, administrators and assigns, be liable to the purchaser or any third party, whether in contract, in tort, or on any other basis for any indirect, special, punitive, exemplary, consequential, or incidental loss, cost or damage arising out of or in connection with the sale, maintenance, use or inability to use the product, even if Amantii, including without limitation any of its directors, officers, shareholders, employees, consultants, agents, heirs, executors, administrators and assigns, have been advised of the possibility of such losses, costs or damages, or if such losses, costs or damages are foreseeable. In no event will Amantii, including without limitation any of its directors, officers, shareholders, employees, consultants, agents, heirs, executors, administrators and assigns, be liable for any direct losses, costs or damages that exceed the purchase price of the product.

Some jurisdictions do not allow the exclusion or limitation of incidental or consequential damages, so the above limitation or exclusion may not apply to the purchaser.

Application of Provincial and State Law

This limited warranty gives you specific legal rights, and you may also have other rights which vary from jurisdiction to jurisdiction. The provisions of the United Nations Convention on Contracts for the Sale of Goods shall not apply to this limited warranty or the sale of products covered by this limited warranty.

General

Amantii reserves the right to make changes at any time without notice, in design, material, specifications, prices and the right to discontinue styles and products.