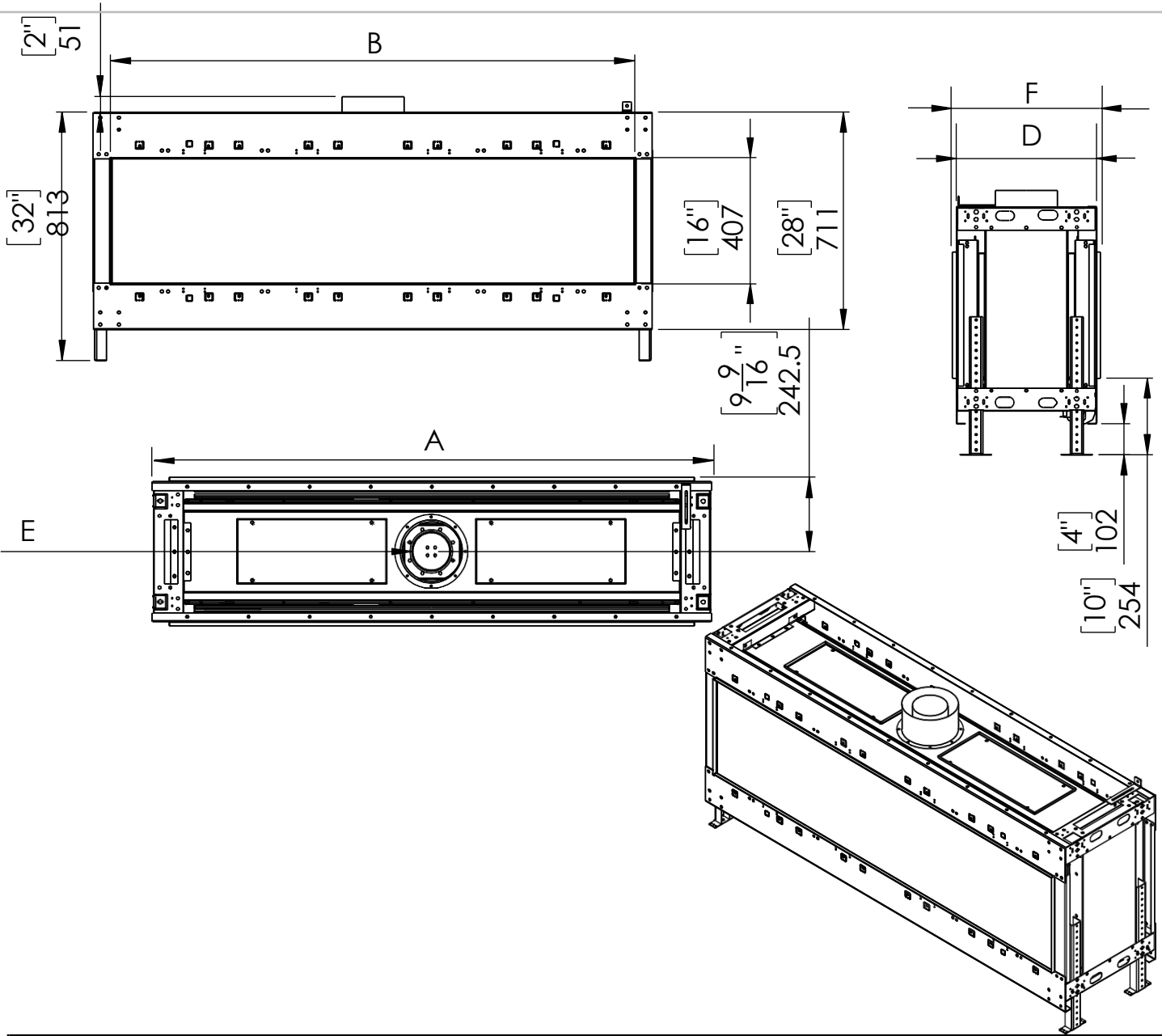
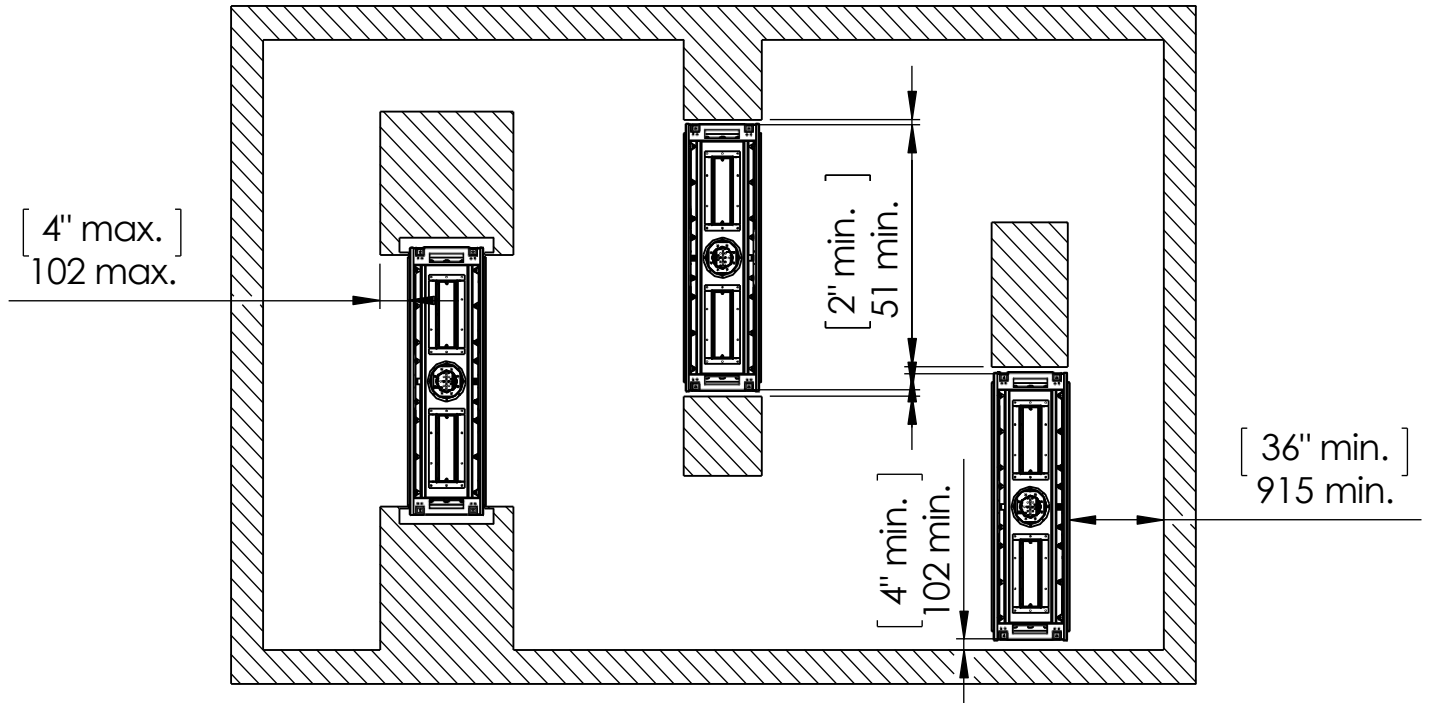


Fireplace Dimensions



Model	45	50	60	70	80	100
A- Inch	45 9/16	52 5/16	62 2/16	72 3/16	84 9/16	101 8/16
B- Inch	41 5/16	48	57 13/16	67 11/16	80 1/16	97 3/16
F- Inch	19 2/16	19 2/16	19 2/16	19 2/16	19 2/16	19 2/16
D- Inch	18 1/16	18 1/16	18 1/16	18 1/16	18 1/16	18 1/16
E- Inch	4x6	5x8	5x8	5x8	5x8	5x8

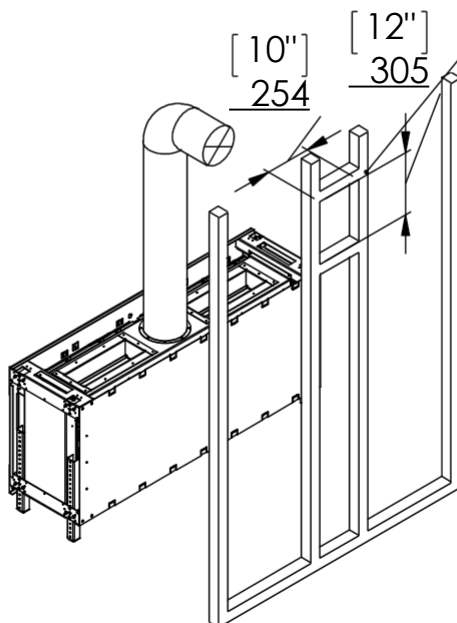
Clearances below are to non-combustible materials.



Chimney Installation

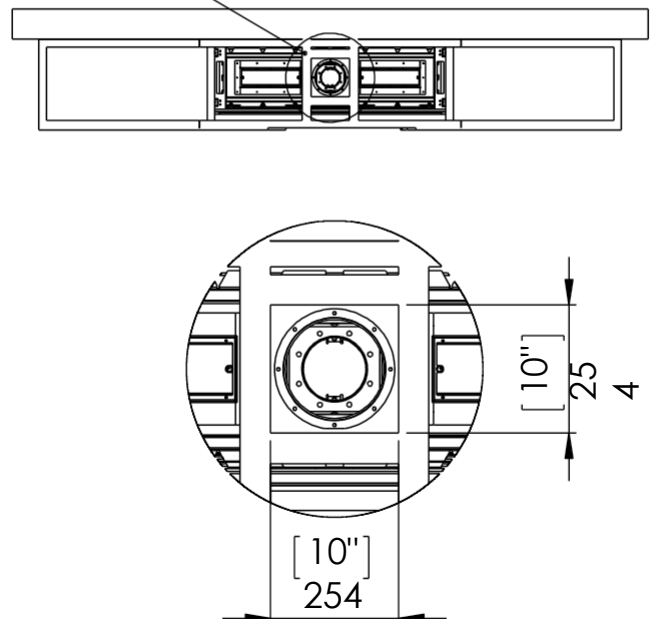
Horizontal Termination

For 5 x 8 vent size create 10" x 12" vent termination opening

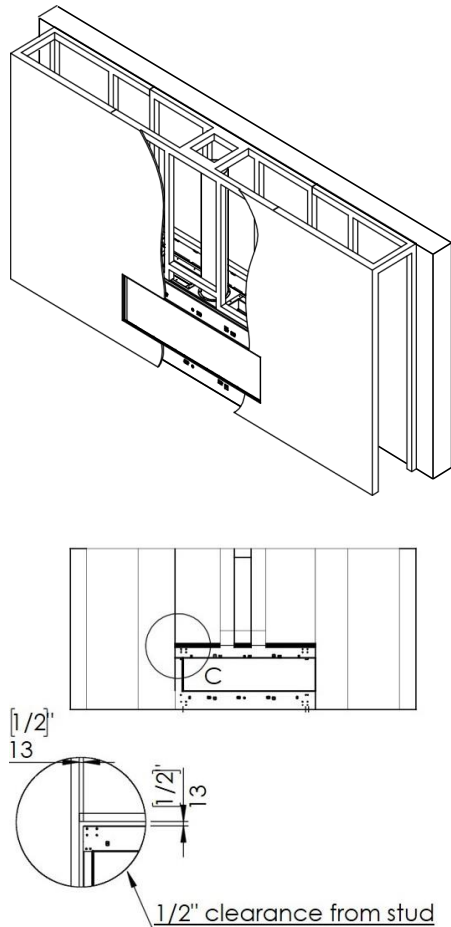


Vertical Termination

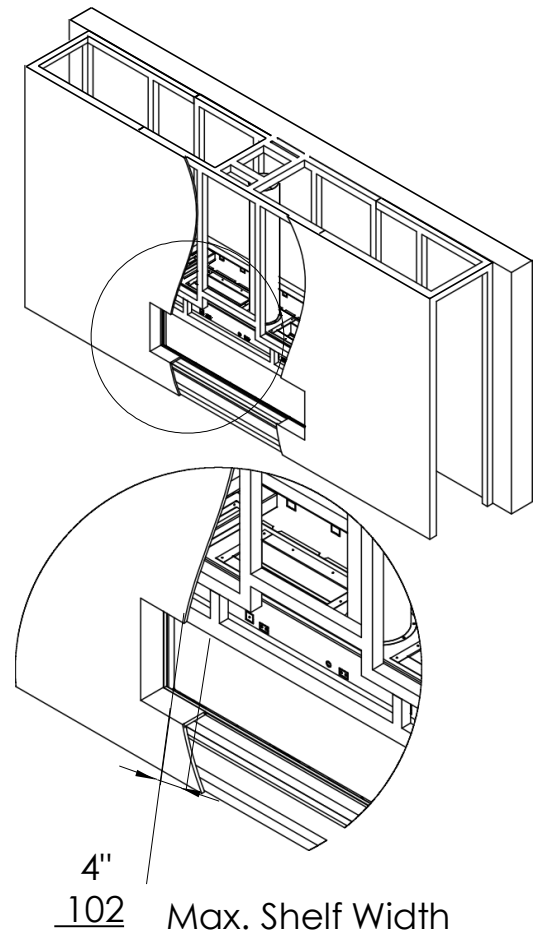
For 5 x 8 vent size create 10" x 10" vent termination opening



Flat Installation Example



L Shape Installation Example



Heat Release and Air Intakes

The following sizes MUST be maintained for the upper heat release:

For fireplaces sized 80" & 100" – vent area must be at least 200 square inches.

For fireplaces sized 60" & 70" - vent area must be at least 140 square inches.

For fireplace sized 50" and below - vent area must be at least 100 square inches.

The following sizes MUST be maintained for the lower air intake:

For fireplaces sized 80" & 100" – vent area must be at least 100 square inches.

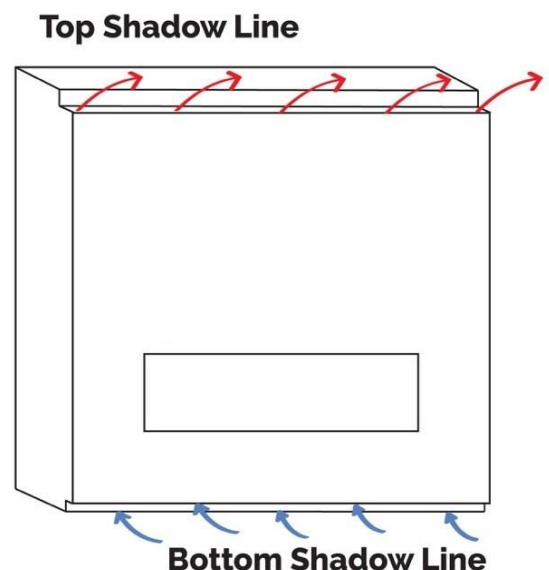
For fireplaces sized 60" & 70" - vent area must be at least 70 square inches.

For fireplaces sized 50" and below - vent area must be at least 50 square inches.

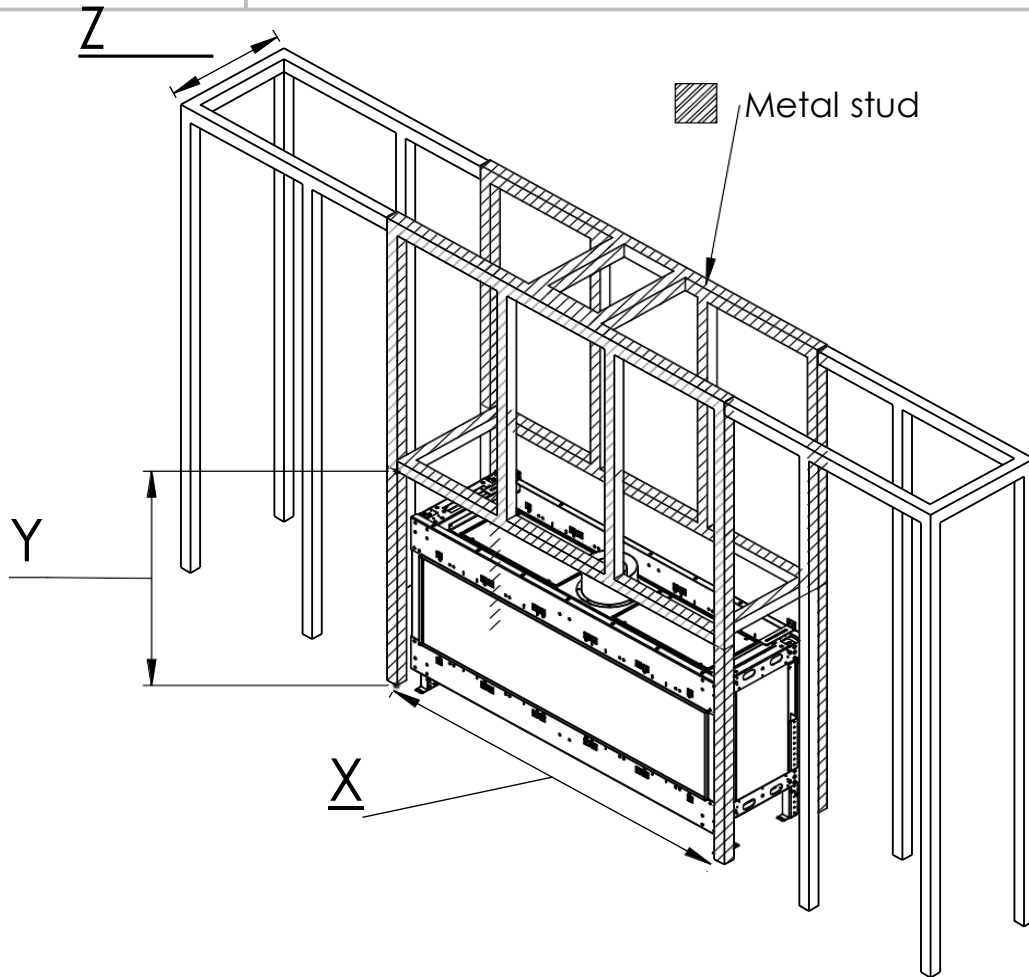
For See Through and Room Definer fireplaces, the air intake requirements are double.

NOTE: Openings above for Heat Release and Air Intake are measured for open air space.

NOTE: On all See Through and Room Definer units the air intake must be doubled



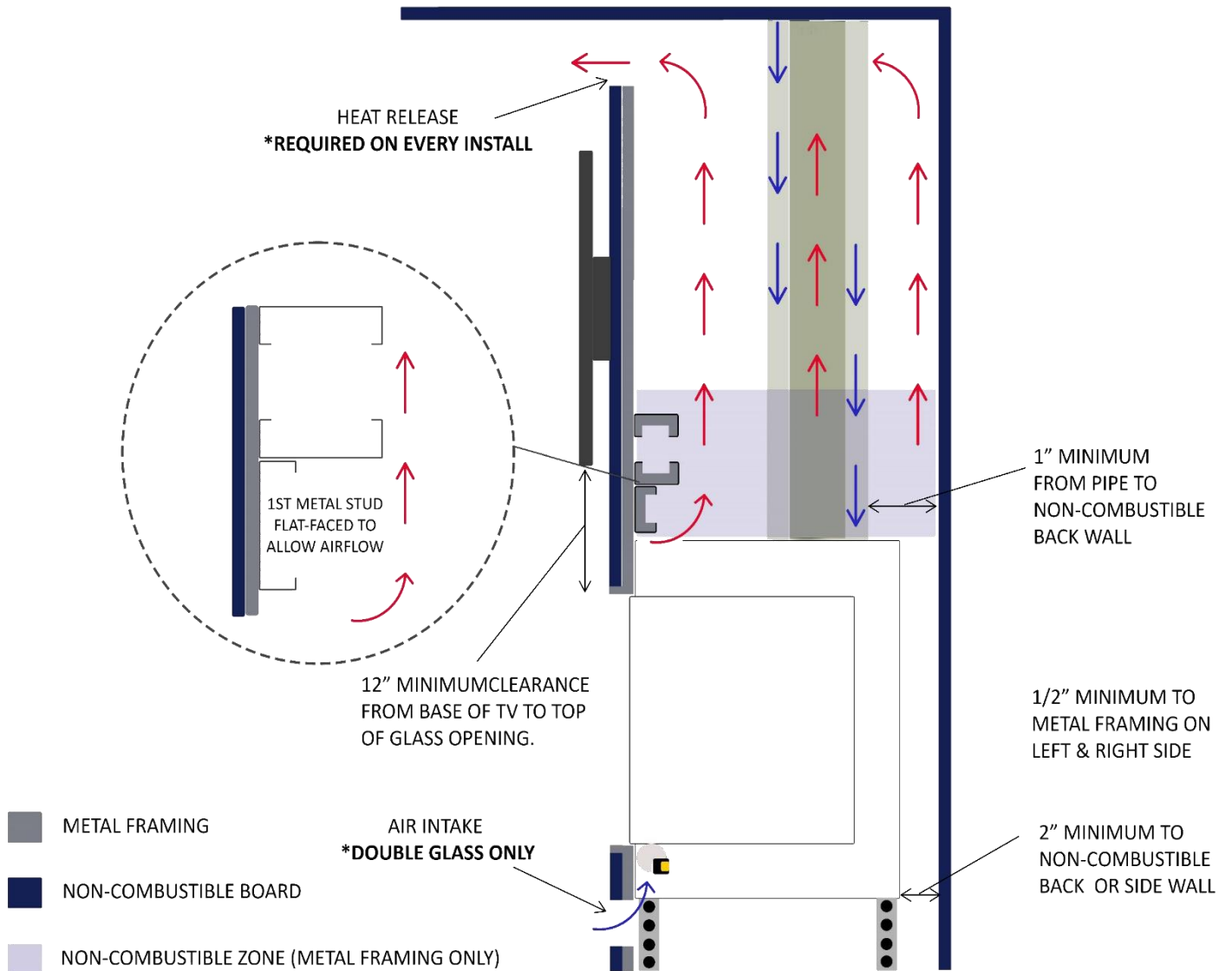
Flare See Through Metal Frame



NOTE: Dimension 'Y' uses legs at default lowest height 4" below the unit with glass beginning 10" above the floor. Increase leg height and Y dimension for higher viewing window.

		X	Y	Z	
				Flat Installation	Recess Installation (4" Max)
45	Inch	46 ⁹ / ₁₆	32 ⁸ / ₁₆	18 ¹ / ₁₆	26 ¹ / ₁₆
	mm	1169	826	459	662
50	Inch	53 ⁵ / ₁₆	32 ⁸ / ₁₆	18 ¹ / ₁₆	26 ¹ / ₁₆
	mm	1354	826	459	662
60	Inch	63 ² / ₁₆	32 ⁸ / ₁₆	18 ¹ / ₁₆	26 ¹ / ₁₆
	mm	1603	826	459	662
70	Inch	73 ³ / ₁₆	32 ⁸ / ₁₆	18 ¹ / ₁₆	26 ¹ / ₁₆
	mm	1859	826	459	662
80	Inch	85 ⁹ / ₁₆	32 ⁸ / ₁₆	18 ¹ / ₁₆	26 ¹ / ₁₆
	mm	2173	826	459	662
100	Inch	102 ⁸ / ₁₆	32 ⁸ / ₁₆	18 ¹ / ₁₆	26 ¹ / ₁₆
	mm	2604	826	459	662

METAL FLAT - SIDE VIEW



CLEARANCES TO SIDE AND BACK

