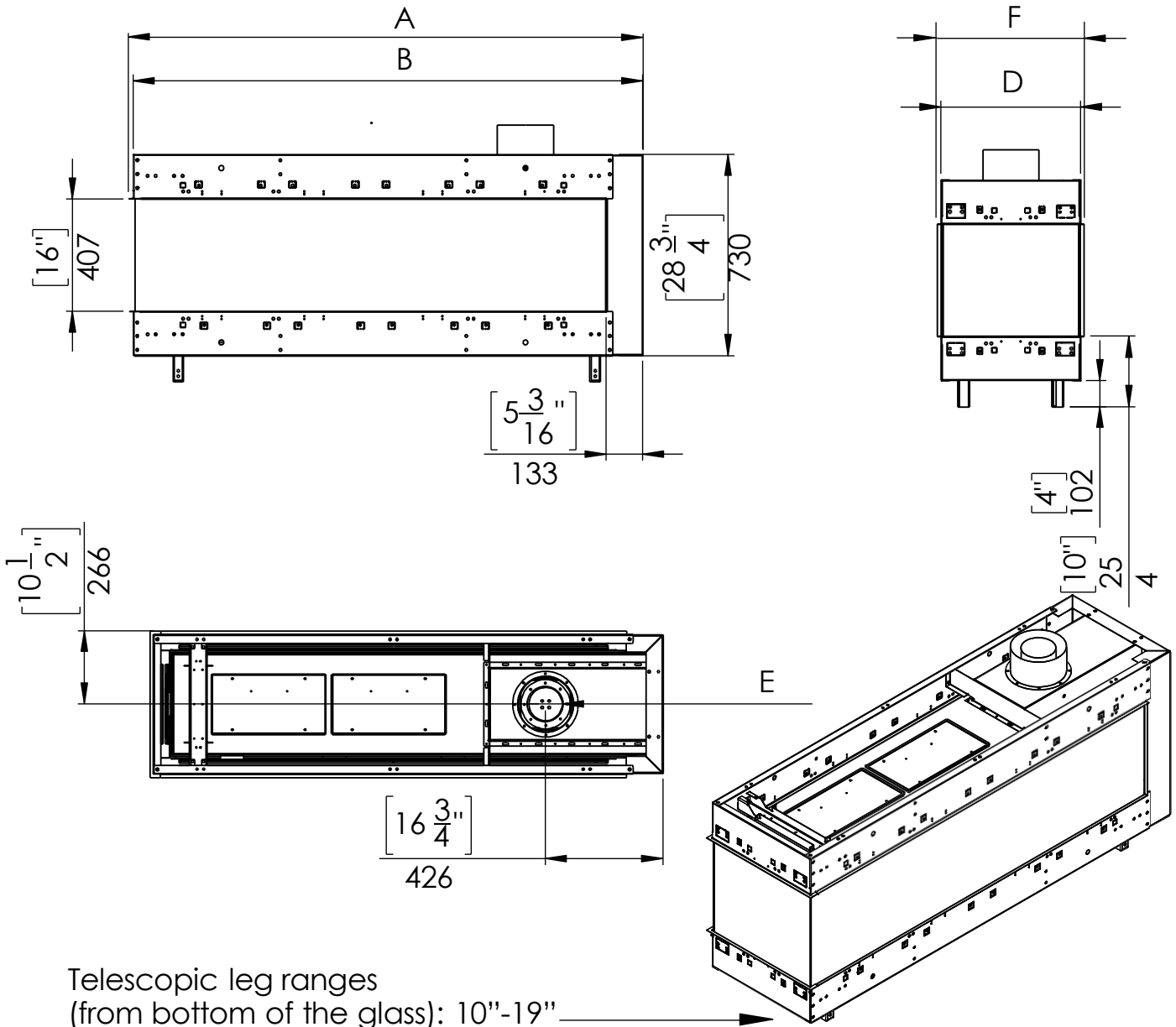
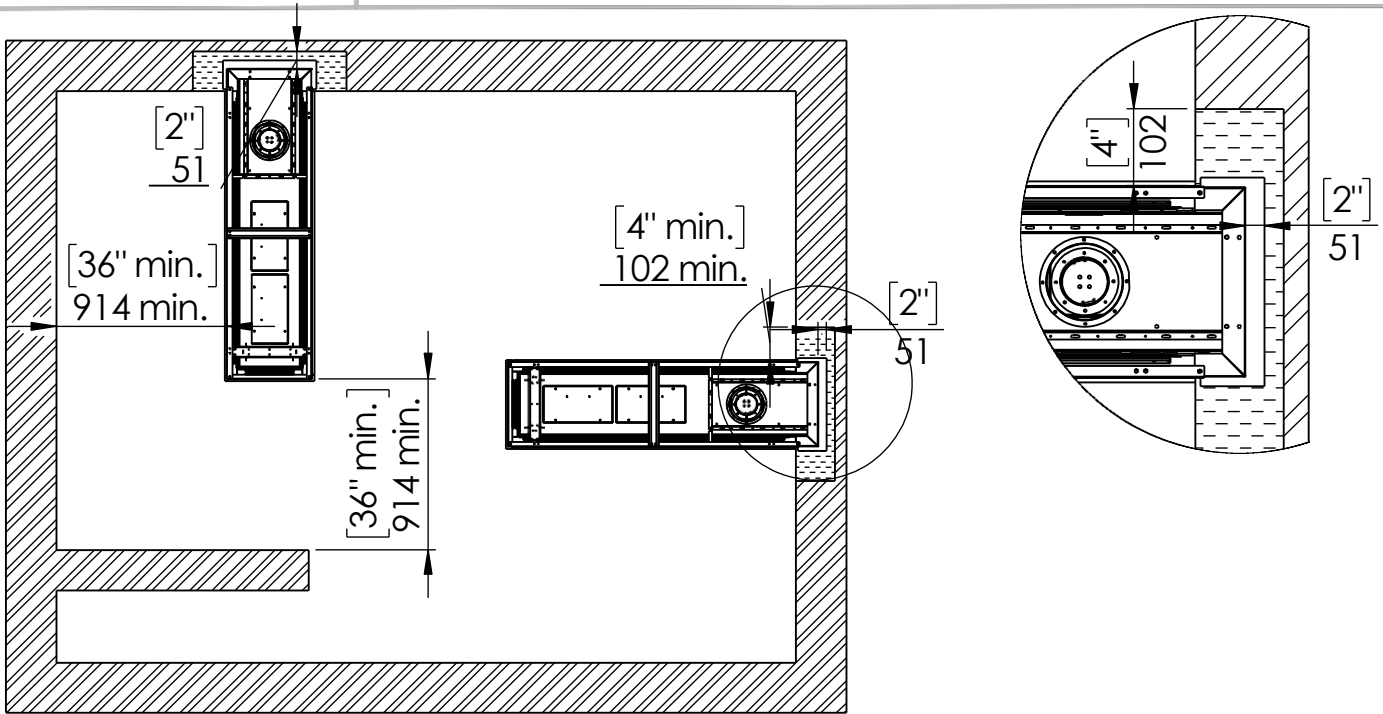


Fireplace Dimensions



Model	45	50	60	70	80	100
A- Inch	46 $\frac{15}{16}$	53 $\frac{8}{16}$	63 $\frac{6}{16}$	73 $\frac{4}{16}$	86	102 $\frac{12}{16}$
B- Inch	46 $\frac{5}{16}$	53	62 $\frac{13}{16}$	72 $\frac{11}{16}$	85 $\frac{7}{16}$	102 $\frac{3}{16}$
F- Inch	20 $\frac{15}{16}$	20 $\frac{15}{16}$	20 $\frac{15}{16}$	20 $\frac{15}{16}$	20 $\frac{15}{16}$	20 $\frac{15}{16}$
D- Inch	19 $\frac{15}{16}$	19 $\frac{15}{16}$	19 $\frac{15}{16}$	19 $\frac{15}{16}$	19 $\frac{15}{16}$	19 $\frac{15}{16}$
E- Inch	5x8	5x8	5x8	5x8	5x8	5x8

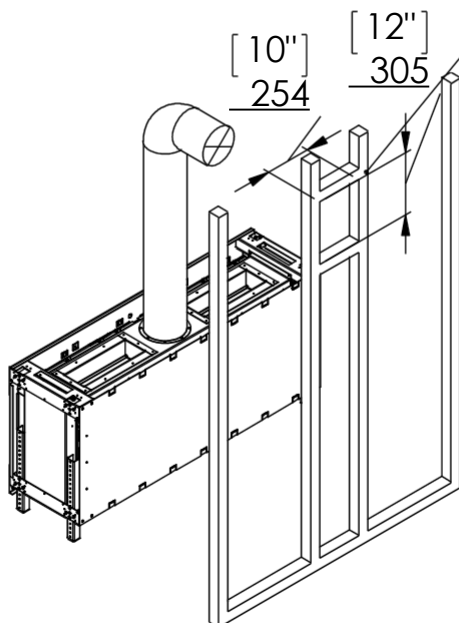


-  Combustible Materials
-  Non Combustible Materials

Chimney Installation

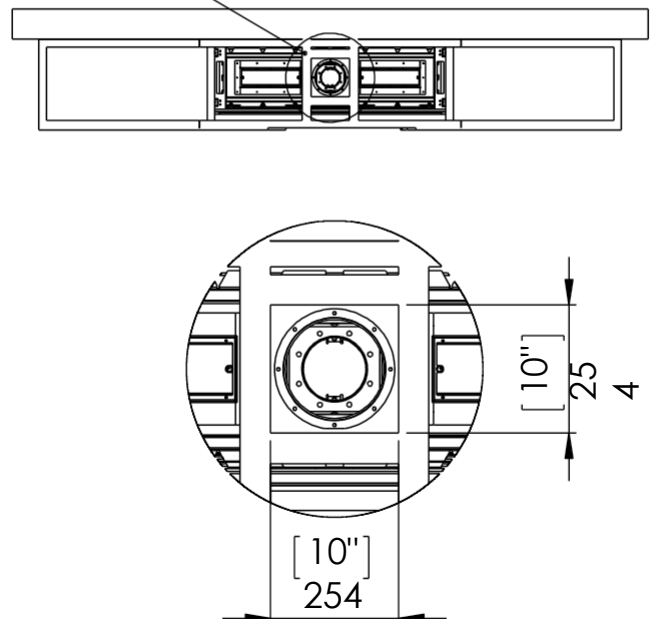
Horizontal Termination

For 5 x 8 vent size create 10" x 12" vent termination opening

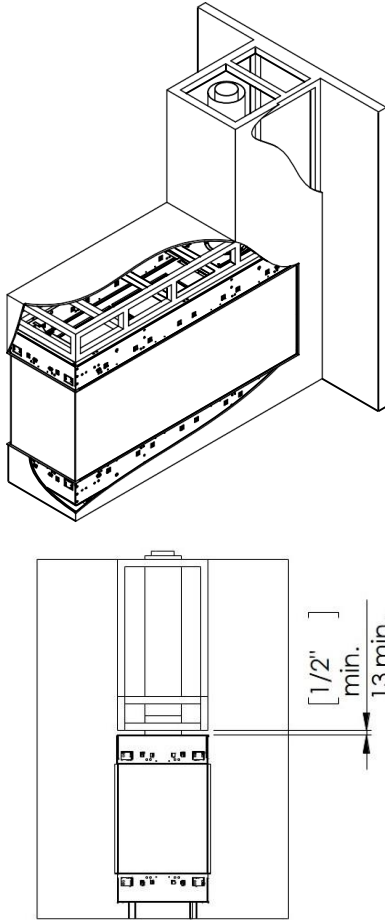


Vertical Termination

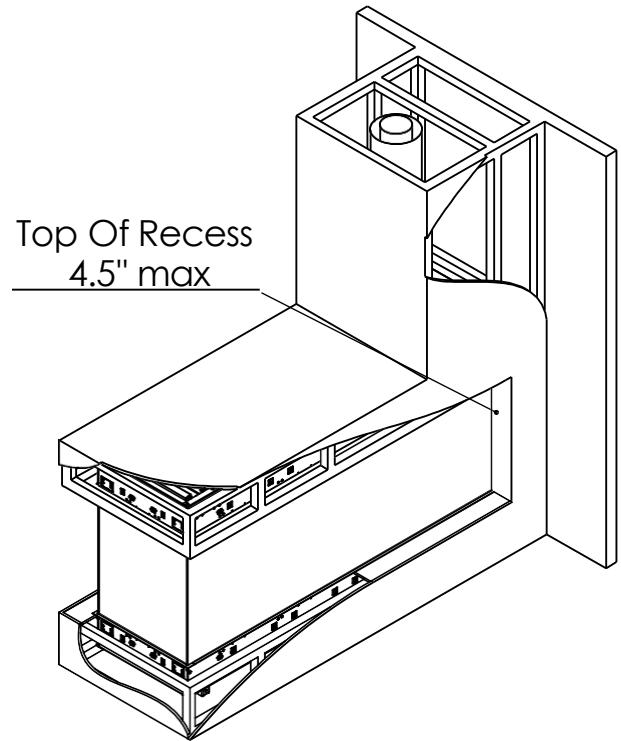
For 5 x 8 vent size create 10" x 10" vent termination opening



Flat Installation Example



L Shape Installation Example



Heat Release and Air Intakes

The following sizes MUST be maintained for the upper heat release:

For fireplaces sized 80" & 100" – vent area must be at least 200 square inches.

For fireplaces sized 60" & 70" - vent area must be at least 140 square inches.

For fireplace sized 50" and below - vent area must be at least 100 square inches.

The following sizes MUST be maintained for the lower air intake:

For fireplaces sized 80" & 100" – vent area must be at least 100 square inches.

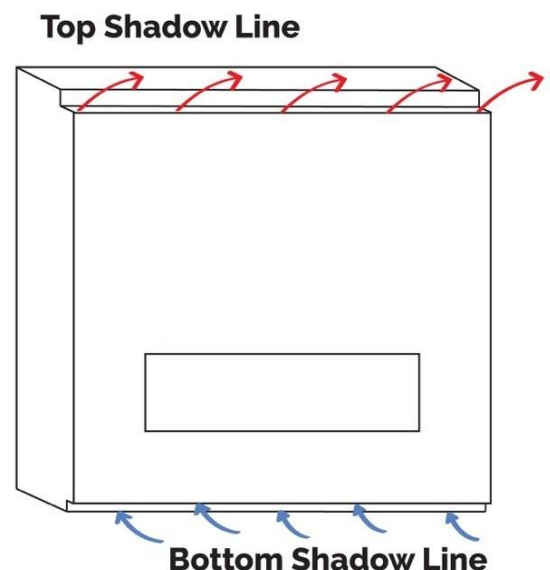
For fireplaces sized 60" & 70" - vent area must be at least 70 square inches.

For fireplaces sized 50" and below - vent area must be at least 50 square inches.

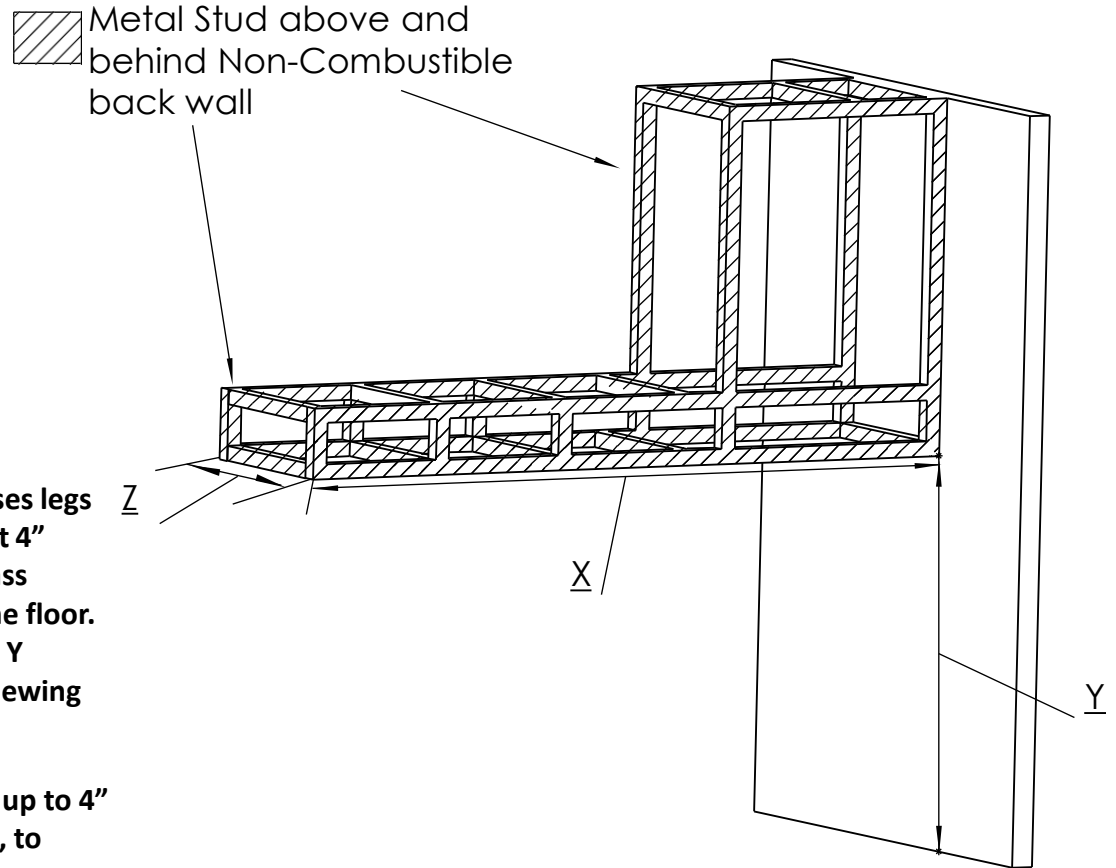
For See Through and Room Definer fireplaces, the air intake requirements are **double**.

NOTE: Openings above for Heat Release and Air Intake are measured for open air space.

NOTE: On all See Through and Room Definer units the air intake must be doubled



Room Definer Metal Frame

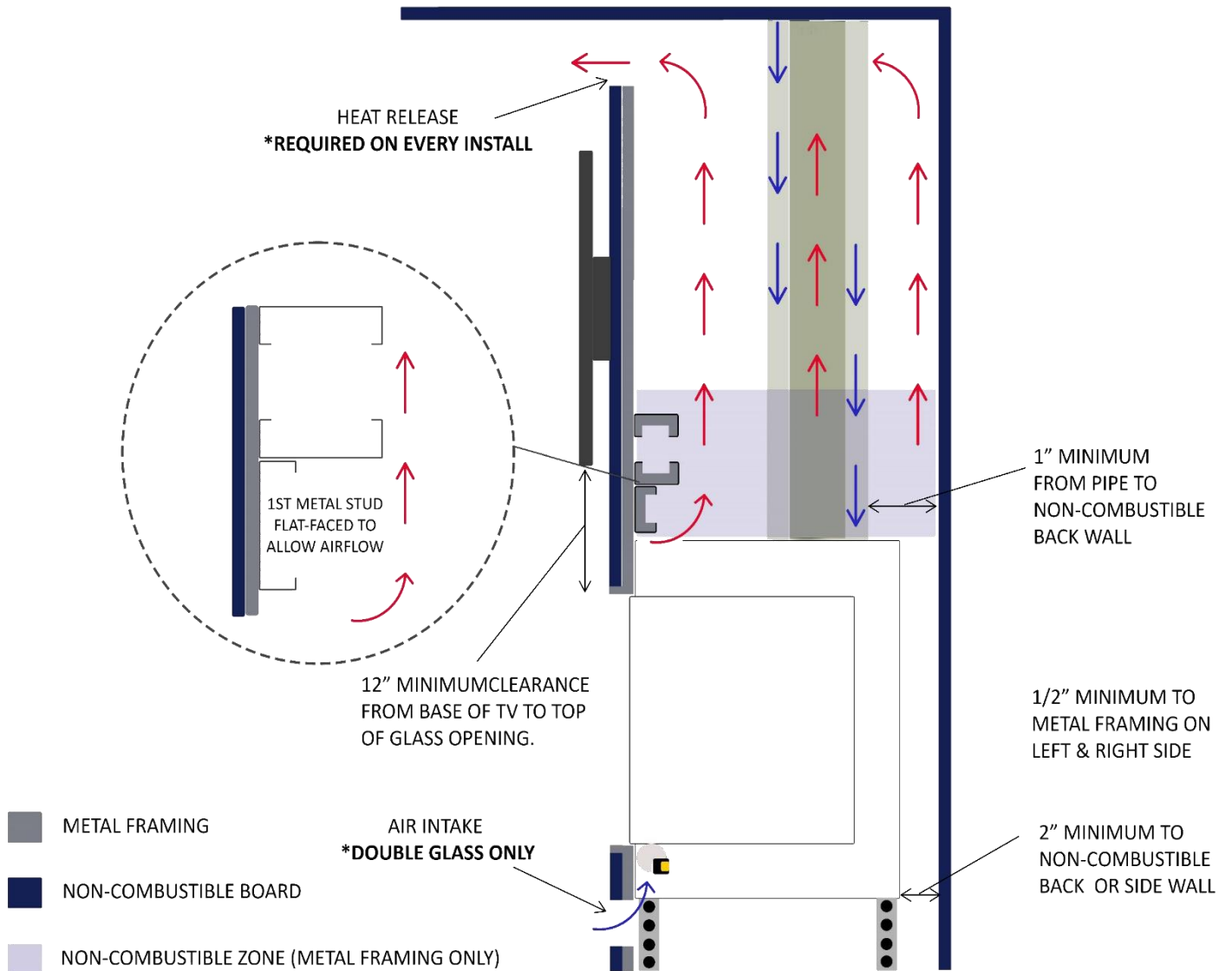


NOTE: Dimension 'Y' uses legs at default lowest height 4" below the unit with glass beginning 10" above the floor. Increase leg height and Y dimension for higher viewing window.

Increase Dimension 'X' up to 4" in the event of a recess, to match recess depth of Dimension 'Z'.

		X	Y	Z	
				Flat Installation	Recess Installation (4" Max)
45	Inch	48 ⁵ / ₁₆	33 ⁴ / ₁₆	19 ¹⁵ / ₁₆	27 ¹⁵ / ₁₆
	mm	1227	845	506	710
50	Inch	55	33 ⁴ / ₁₆	19 ¹⁵ / ₁₆	27 ¹⁵ / ₁₆
	mm	1381	845	506	710
60	Inch	64 ¹³ / ₁₆	33 ⁴ / ₁₆	19 ¹⁵ / ₁₆	27 ¹⁵ / ₁₆
	mm	1646	845	506	710
70	Inch	74 ¹¹ / ₁₆	33 ⁴ / ₁₆	19 ¹⁵ / ₁₆	27 ¹⁵ / ₁₆
	mm	1897	845	506	710
80	Inch	87 ⁷ / ₁₆	33 ⁴ / ₁₆	19 ¹⁵ / ₁₆	27 ¹⁵ / ₁₆
	mm	2221	845	506	710
100	Inch	104 ³ / ₁₆	33 ⁴ / ₁₆	19 ¹⁵ / ₁₆	27 ¹⁵ / ₁₆
	mm	2646	845	506	710

METAL FLAT - SIDE VIEW



CLEARANCES TO SIDE AND BACK

