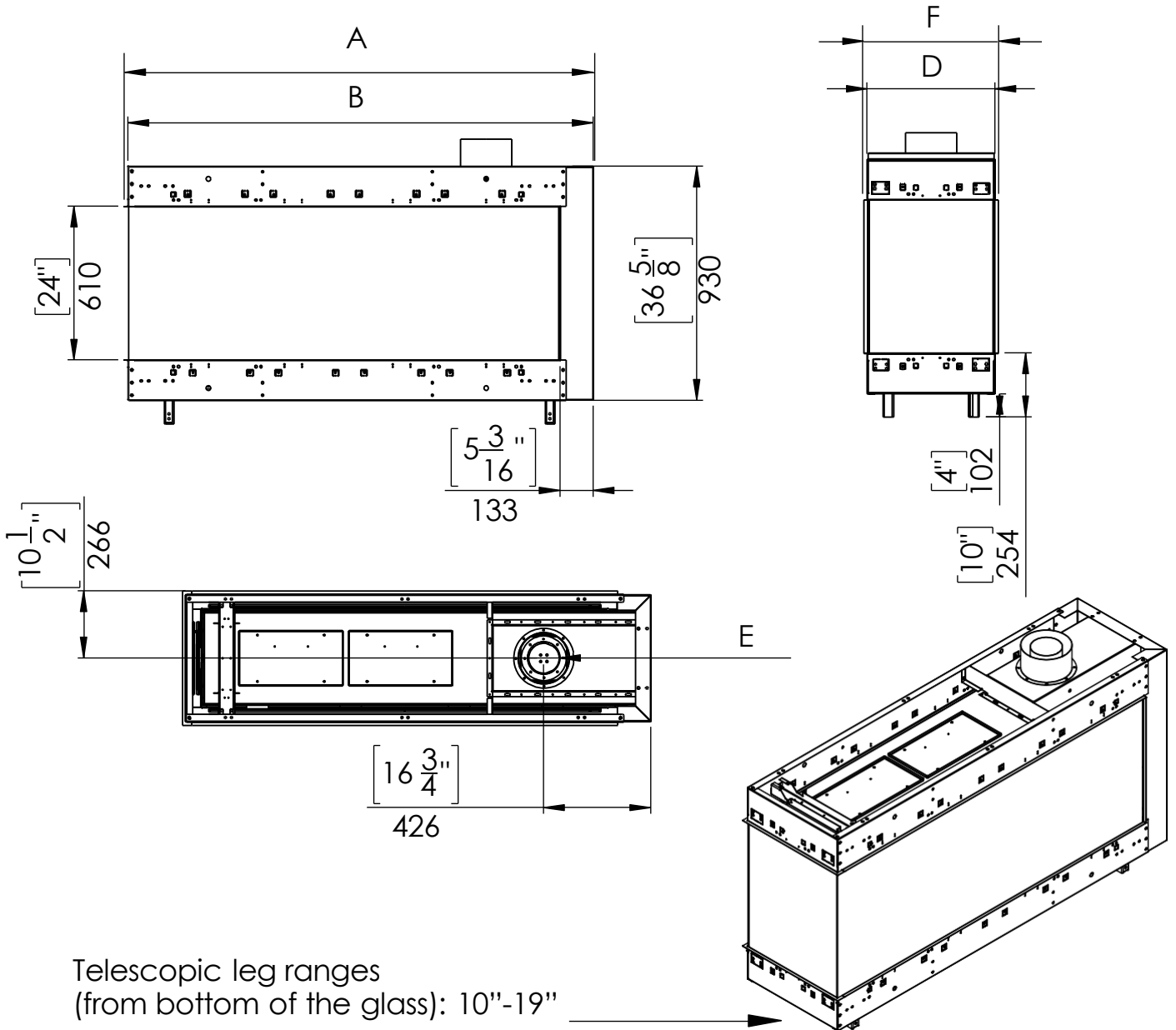
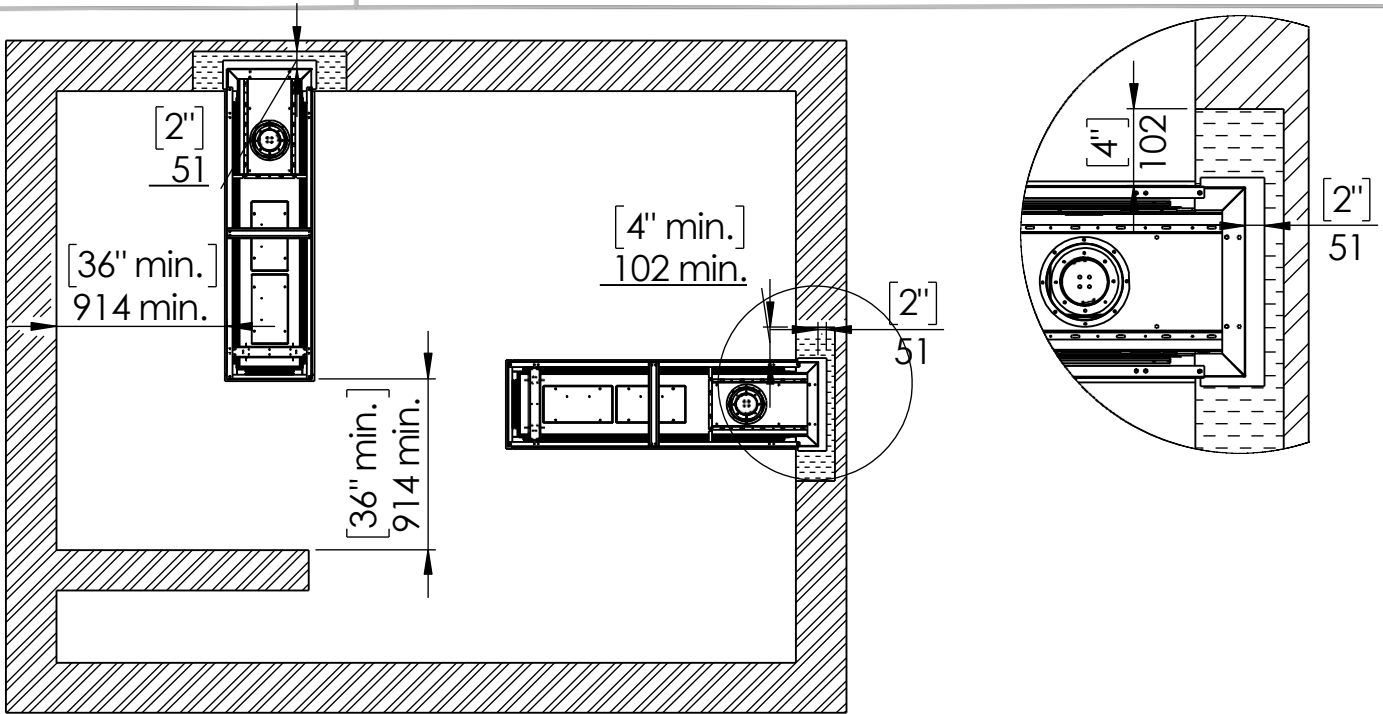


Fireplace Dimensions



Model	45	50	60	70	80	100
A- Inch	46 15/16	53 8/16	63 6/16	73 4/16	86	102 12/16
B- Inch	46 5/16	53	62 13/16	72 11/16	85 7/16	102 3/16
F- Inch	20 15/16	20 15/16	20 15/16	20 15/16	20 15/16	20 15/16
D- Inch	19 15/16	19 15/16	19 15/16	19 15/16	19 15/16	19 15/16
E- Inch	5x8	5x8	5x8	5x8	5x8	5x8

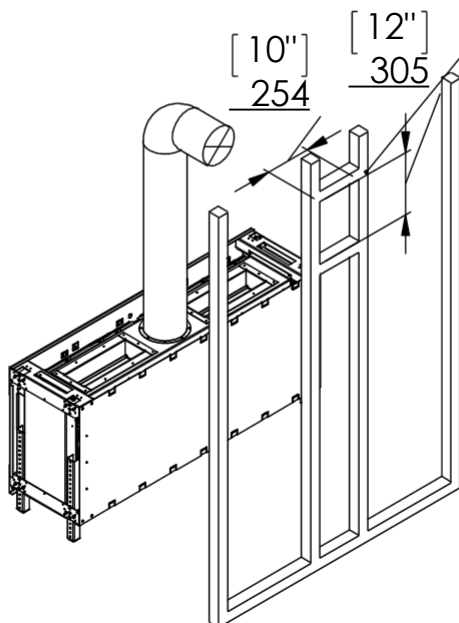


- Combustible Materials
- Non Combustible Materials

Chimney Installation

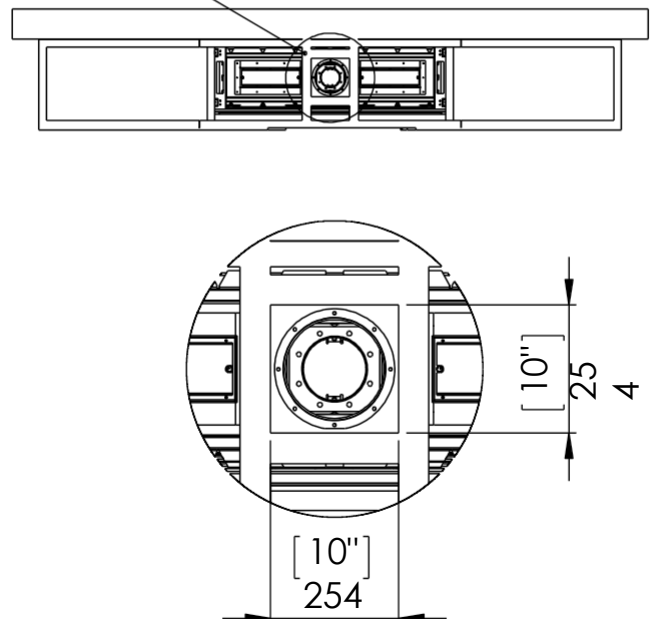
Horizontal Termination

For 5 x 8 vent size create 10" x 12" vent termination opening

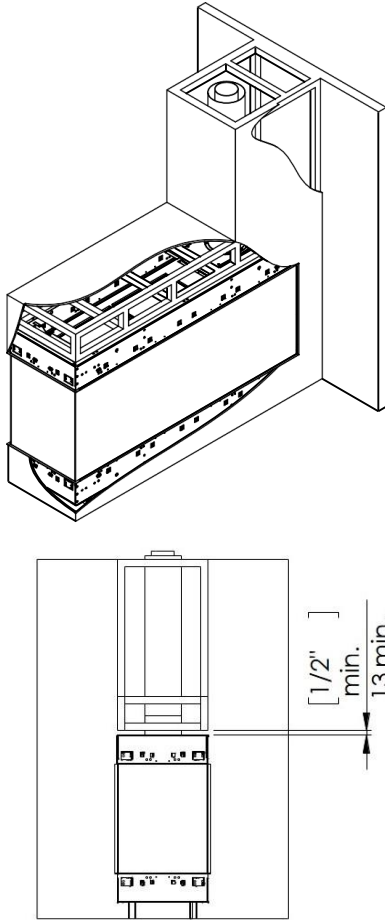


Vertical Termination

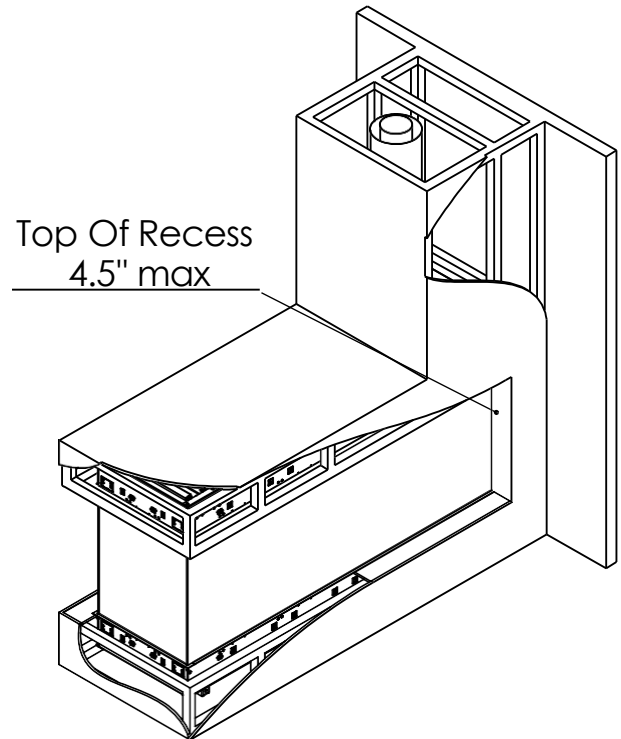
For 5 x 8 vent size create 10" x 10" vent termination opening



Flat Installation Example



L Shape Installation Example



Heat Release and Air Intakes

The following sizes MUST be maintained for the upper heat release:

For fireplaces sized 80" & 100" – vent area must be at least 200 square inches.

For fireplaces sized 60" & 70" - vent area must be at least 140 square inches.

For fireplace sized 50" and below - vent area must be at least 100 square inches.

The following sizes MUST be maintained for the lower air intake:

For fireplaces sized 80" & 100" – vent area must be at least 100 square inches.

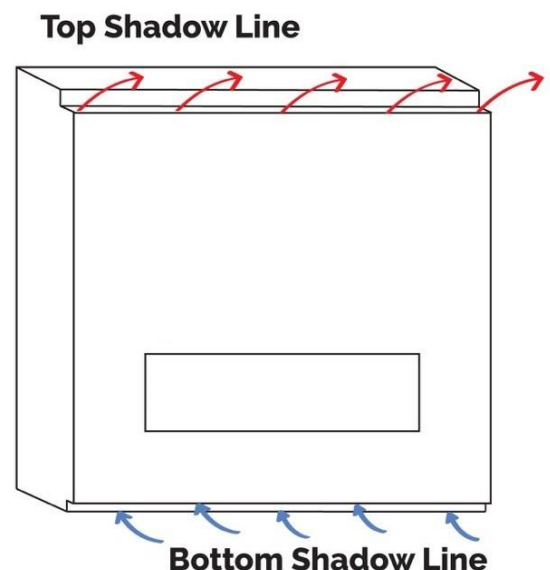
For fireplaces sized 60" & 70" - vent area must be at least 70 square inches.

For fireplaces sized 50" and below - vent area must be at least 50 square inches.

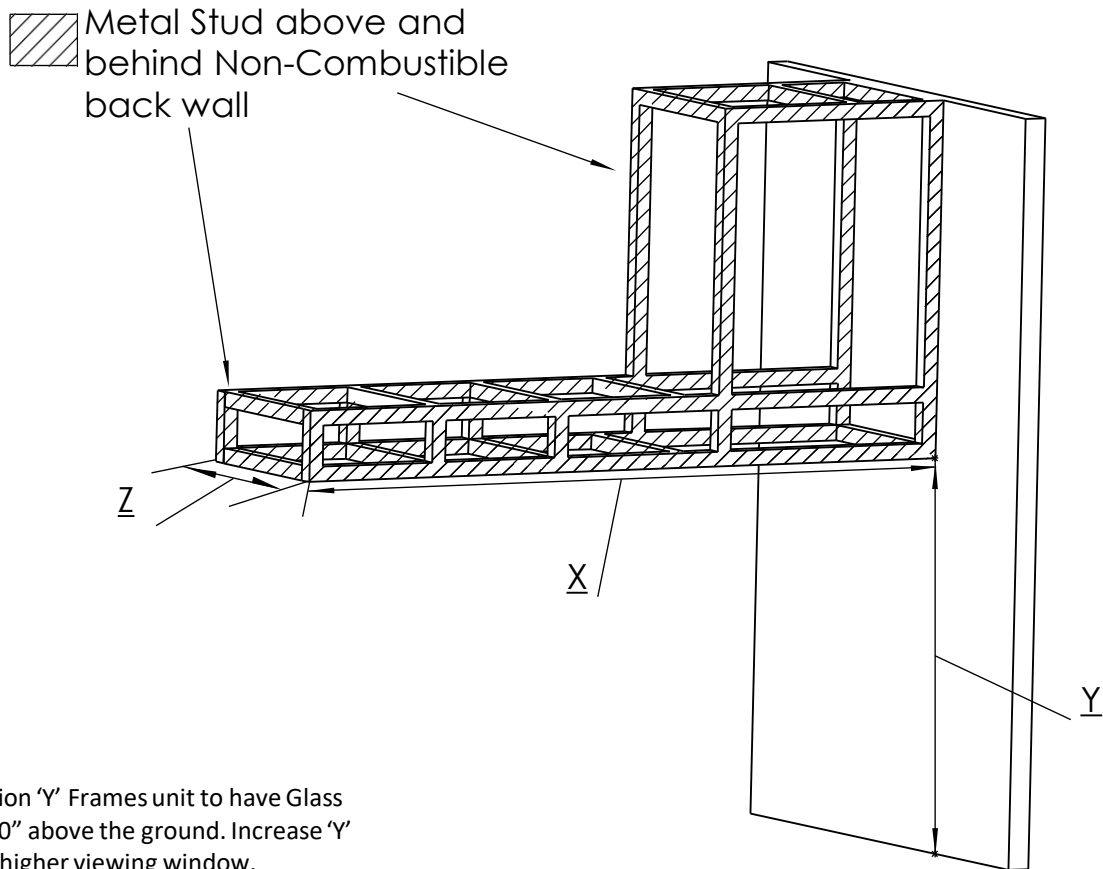
For See Through and Room Definer fireplaces, the air intake requirements are **double**.

NOTE: Openings above for Heat Release and Air Intake are measured for open air space.

NOTE: On all See Through and Room Definer units the air intake must be doubled



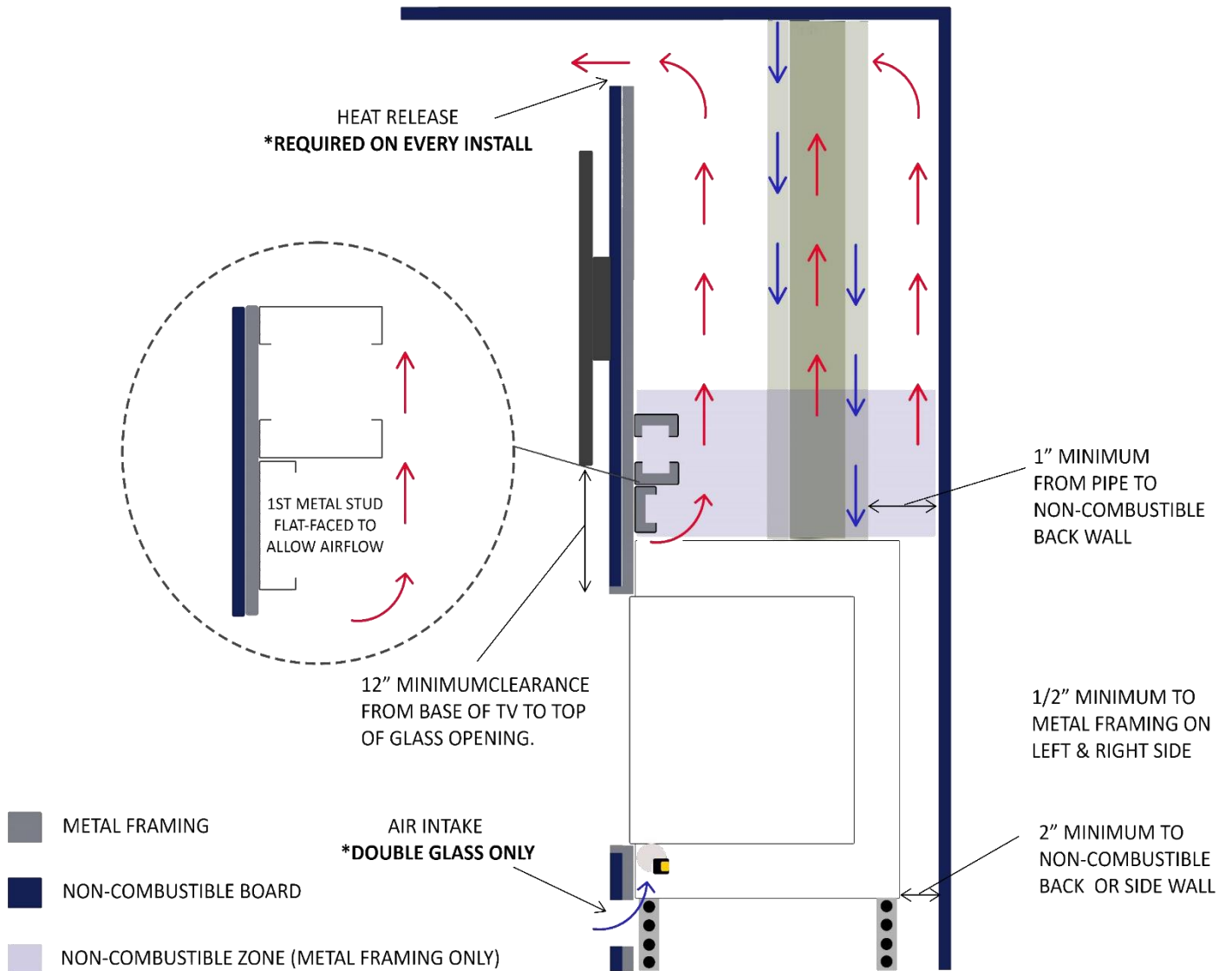
Metal Framing Dimensions



NOTE: Dimension 'Y' Frames unit to have Glass Height begin 10" above the ground. Increase 'Y' Dimension for higher viewing window.

		X	Y	Z	
				Flat Installation	Recess Installation (4" Max)
45	Inch	48 ⁵ / ₁₆	41 ² / ₁₆	19 ¹⁵ / ₁₆	27 ¹⁵ / ₁₆
	mm	1227	1045	506	710
50	Inch	55	41 ² / ₁₆	19 ¹⁵ / ₁₆	27 ¹⁵ / ₁₆
	mm	1381	1045	506	710
60	Inch	64 ¹³ / ₁₆	41 ² / ₁₆	19 ¹⁵ / ₁₆	27 ¹⁵ / ₁₆
	mm	1646	1045	506	710
70	Inch	74 ¹¹ / ₁₆	41 ² / ₁₆	19 ¹⁵ / ₁₆	27 ¹⁵ / ₁₆
	mm	1897	1045	506	710
80	Inch	87 ⁷ / ₁₆	41 ² / ₁₆	19 ¹⁵ / ₁₆	27 ¹⁵ / ₁₆
	mm	2221	1045	506	710
100	Inch	104 ³ / ₁₆	41 ² / ₁₆	19 ¹⁵ / ₁₆	27 ¹⁵ / ₁₆
	mm	2646	1045	506	710

METAL FLAT - SIDE VIEW



CLEARANCES TO SIDE AND BACK

