



fire pit tables

Light up the night and add ambiance to your outdoor space with beautiful gas fire pit tables. These glowing fires will become the place to gather with family and friends for years to come. Find a warm, cozy fire for every season.



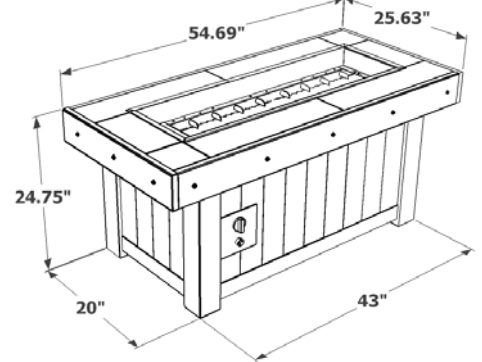
THE OUTDOOR
GREATROOM
COMPANY

vintage linear



VNG-1242BRN with optional GLASS GUARD-1242

- Colorful faux-wood tile top with Honey Glow Brown powder-coated Stainless Steel Crystal Fire® burner
- Access door conceals standard 20 lb. propane tank in base
- Distressed cedar paneled base is unique to each fire pit table, wood color and grain pattern will vary
- Grey glass burner cover included
- Optional GLASS GUARD-1242 and CVR5727 protective cover
- UL & ULC Listed. Made in USA.

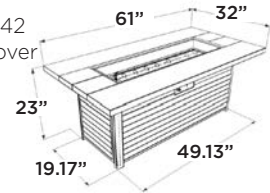


cedar ridge



CR-1242-K with optional GLASS GUARD-1242

- Taupe composite decking base with access door
- Grey tone Washed Cedar Supercast™ top with matching burner cover
- Access door conceals standard 20 lb. propane tank in base
- Optional GLASS GUARD-1242 and CVR6332 protective cover
- UL & ULC Listed

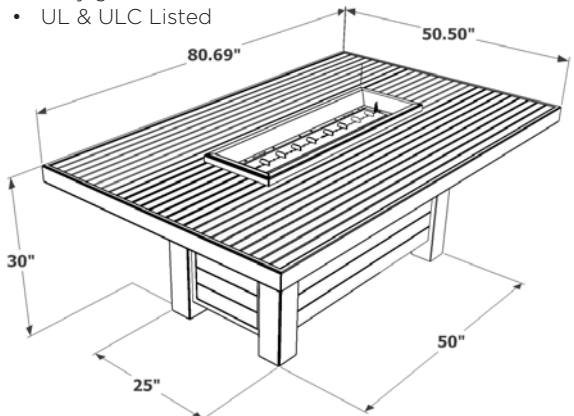


kenwood linear dining



KW-1242-K

- Easy to maintain Brown composite decking top & base
- Graphite Grey powder-coated aluminum frame
- Pair with optional Kenwood Benches (KW-LB & KW-SB) or Lyndale Swivel Rocking Chairs
- Access door conceals standard 20 lb. propane tank in base
- Optional GLASS GUARD-1242 and CVR8355 protective cover
- Grey glass burner cover included
- UL & ULC Listed



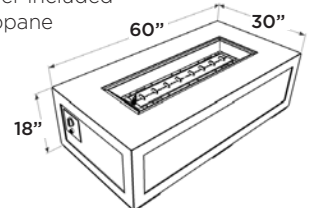
LINEAR

cove linear



CV-1242

- Natural Grey Supercast™ base with Black powder-coated Stainless Steel Crystal Fire® Burner
- Contemporary Natural Grey concrete finish is unique to each, common attributes include pitting and color density variation
- Optional Tumbled or Black Lava Rock (LAV-TMB or LAVA-BLK), GLASS GUARD-1242, & CVR6332 protective cover
- Grey glass burner cover included
- Does not fit 20 lb. propane tank in base
- UL & ULC Listed. Made in USA.



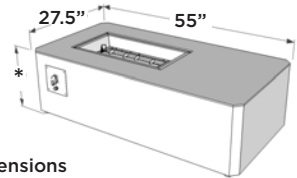
Optional Tumbled Lava Rock LAV-TMB

kinney

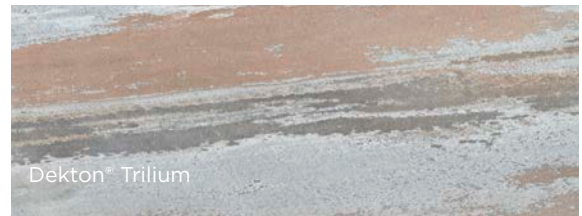


KN-1224

- Dekton® Trilium ultracompact surface top on black powder-coated metal base
- Black powder-coated Stainless Steel Crystal Fire® Burner
- Grey glass burner cover included
- Optional GLASS GUARD-1224
- Coloring and pattern is unique to each top, variations will occur
- UL, ULC, & CE Listed. Made in USA.

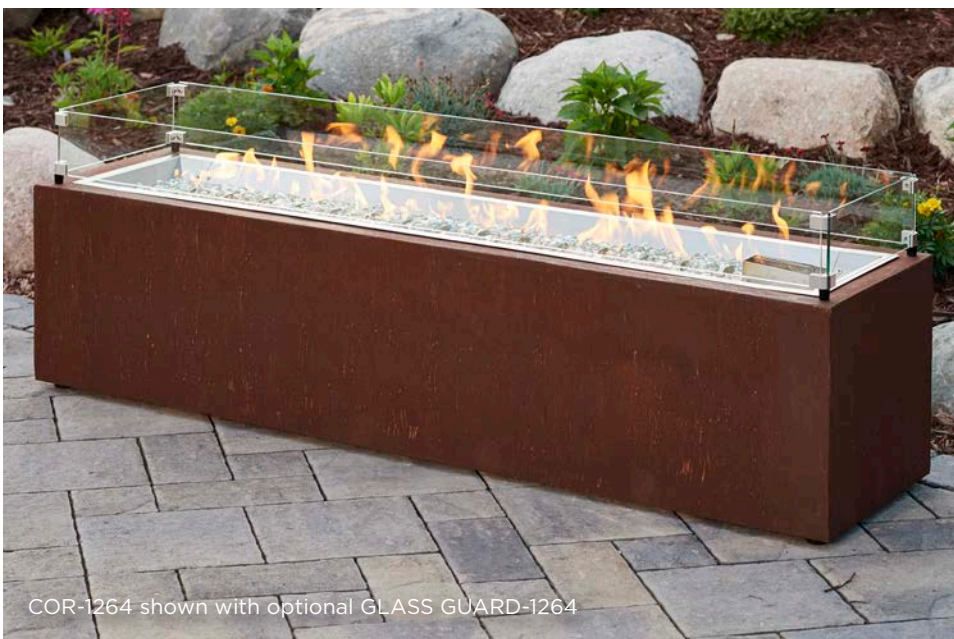


*contact OGC for height dimensions



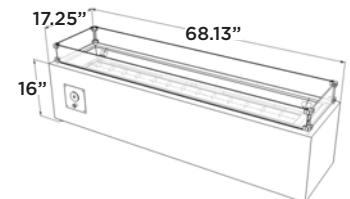
Dekton® Trilium

cortlin



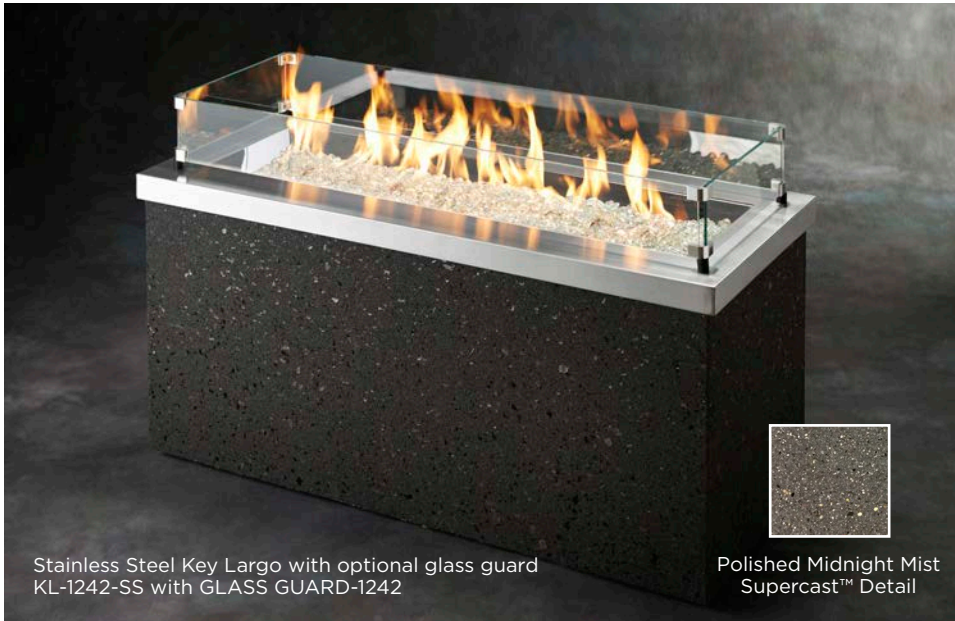
COR-1264 shown with optional GLASS GUARD-1264

- Corten steel-look Ferros stucco base
- Grey glass burner cover included (2 pieces)
- Optional GLASS GUARD-1264 and Tumbled Lava (LAV-TMB)
- Does not fit 20 lb. LP tank in base
- UL & ULC Listed. Made in USA.



Optional Tumbled Lava Rock LAV-TMB

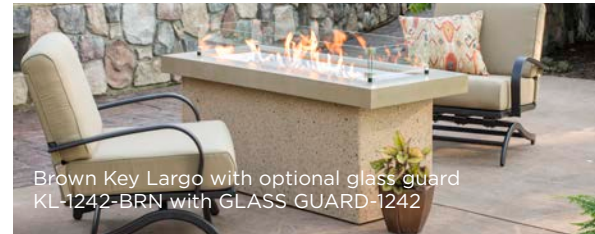
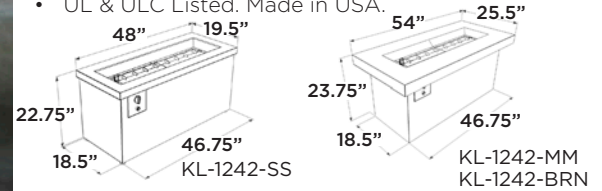
key largo



Stainless Steel Key Largo with optional glass guard
KL-1242-SS with GLASS GUARD-1242

Polished Midnight Mist
Supercast™ Detail

- Stainless Steel trim or Polished Midnight Mist Supercast™ with Black Fleck stucco base, or Polished Brown Supercast™ top with Serengeti stucco base
- Exterior grade frame & stucco finish base
- Grey glass burner cover included
- Optional GLASS GUARD-1242 and CVR5020 (for KL-1242-SS) or CVR5427 (for KL-1242-BRN & KL-1242-MM) protective covers
- Sliding tank door holds standard 20 lb. propane tank in base
- UL & ULC Listed. Made in USA.



Brown Key Largo with optional glass guard
KL-1242-BRN with GLASS GUARD-1242

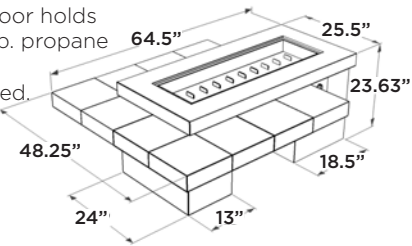
uptown



Black Uptown
UPT-1242

Polished Midnight Mist
Supercast™ Detail

- Absolute Black granite tile with Polished Midnight Mist Supercast™ on Midnight Storm stucco base or Polished Brown Supercast™ with Continental Slate porcelain tile on Stony Creek stucco base
- Grey glass burner cover included
- Optional GLASS GUARD-1242 and CVR6549 protective cover
- Sliding tank door holds standard 20 lb. propane tank in base
- UL & ULC Listed. Made in USA.



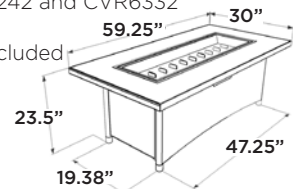
Brown Uptown
UPT-1242-BRN

montego



Black Montego
MG-1242-BLK-K

- Black or Balsam wicker base
- Black glass top
- Optional GLASS GUARD-1242 and CVR6332 protective cover
- Grey glass burner cover included
- Access door conceals standard 20 lb. propane tank in base
- UL & ULC Listed



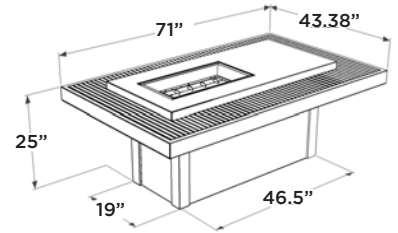
Balsam Montego
MG-1242-BLSM-K

boardwalk



BOARDWALK with optional GLASS GUARD-1224

- Modern multi-level design
- White Onyx Supercast™ with Taupe composite decking top
- Black powder-coated metal base
- Grey glass burner cover included
- Optional GLASS GUARD-1224 and CVR7345 protective cover
- Sliding tank door holds standard 20 lb. propane tank in base
- UL, ULC, & CE Listed. Made in USA.

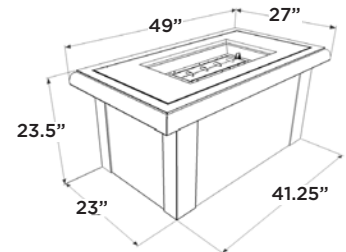


sierra linear



SL-1224-M-K with optional GLASS GUARD-1224

- Outdoor-rated faux stone and durable Mocha Supercast™ top
- Recessed Supercast™ burner cover included
- Optional GLASS GUARD-1224 and CVR5132 protective cover
- Sliding tank door holds standard 20 lb. propane tank in base
- UL, ULC, & CE Listed. Made in USA.

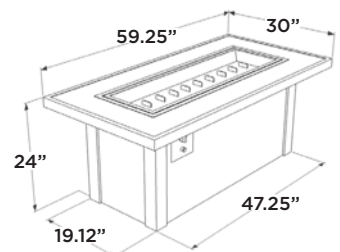


monte carlo



MCR-1242-BLK-K

- Black powder-coated metal base
- Black glass top
- Grey glass burner cover Included
- Sliding tank door holds standard 20 lb. propane tank in base
- Optional GLASS GUARD-1242 & CVR6332 protective cover
- UL & ULC Listed



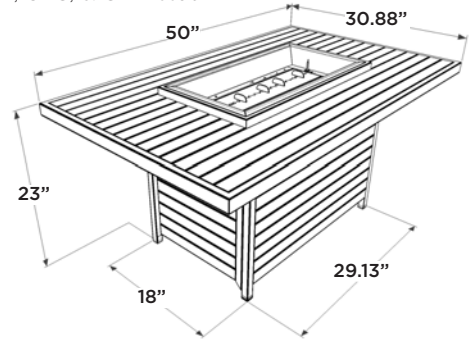
LINEAR

kenwood rectangular chat



KW-1224-K with optional GLASS GUARD-1224

- Brown composite decking
- Graphite Grey powder-coated aluminum frame
- Access door conceals standard 20 lb. propane tank in base
- Pair with optional Kenwood Short Bench (KW-SB)
- Grey glass burner cover included
- Optional GLASS GUARD-1224 and CVR5132 protective cover
- UL, ULC, & CE Listed

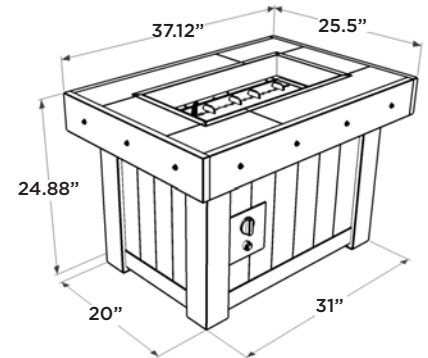


vintage rectangular



VNG-1224BRN with optional GLASS GUARD-1224

- Colorful faux-wood tile top with Honey Glow Brown powder-coated Stainless Steel Crystal Fire® Burner
- Access door conceals standard 20 lb. propane tank in base
- Distressed cedar paneled base is unique to each fire pit table, wood color and grain pattern will vary
- Grey glass burner cover included
- Optional GLASS GUARD-1224 and CVR3727 protective cover
- UL, ULC, & CE Listed. Made in USA.

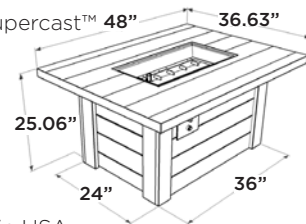


alcott



ALC-1224

- Antique Timber Supercast™ top with White Washed Shiplap-look base
- Honey Glow Brown powder-coated Stainless Steel Crystal Fire® Burner
- Matching Antique Timber Supercast™ 48" burner cover included
- Sliding tank door holds standard 20 lb. propane tank in base
- Optional CVR5038 protective cover and GLASS GUARD-1224
- UL, ULC, & CE Listed. Made in USA.



ALC-1224 with optional GLASS GUARD-1224

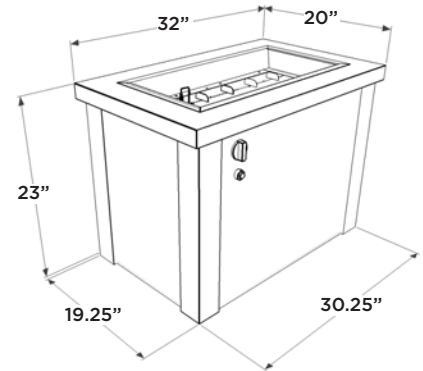
RECTANGULAR

providence stainless steel



PROV-1224-SS

- Stainless Steel trim top
- Access door conceals standard 20 lb. propane tank in base
- Black powder-coated metal base
- Grey glass burner cover included
- Optional GLASS GUARD-1224 and CVR3727 protective cover
- UL, ULC, & CE Listed. Made in USA.

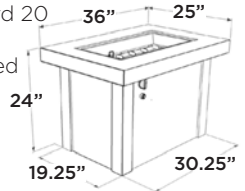


providence supercast



Marbled Noche Providence with optional glass guard
PROV-1224-MNB-K with GLASS GUARD-1224

- White Onyx Supercast™ top with Black powder-coated metal base or Marbled Noche Supercast™ top with Architectural Bronze powder-coated metal base
- Access door conceals standard 20 lb. propane tank in base
- Grey glass burner cover included
- Optional GLASS GUARD-1224 and CVR3727 protective cover
- UL, ULC, & CE Listed. Made in USA.



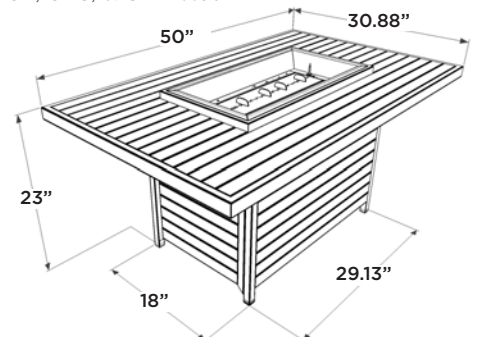
White Onyx Providence with optional glass guard
PROV-1224-WO-K with GLASS GUARD-1224

brooks



BRK-1224-K with optional GLASS GUARD-1224

- Easy to maintain Taupe composite decking top and base
- Graphite Grey powder-coated aluminum framing
- Grey glass burner cover included
- Optional GLASS GUARD-1224 and CVR5132 protective cover
- Access door conceals standard 20 lb. propane tank in base
- UL, ULC, & CE Listed



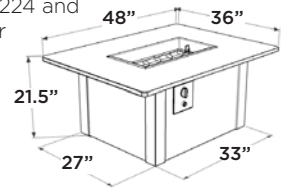
RECTANGULAR

grandstone



Absolute Black Grandstone
GS-1224-BLK-K

- British Brown granite on a Sedona Brown powder coated metal base or Absolute Black granite on a Black powder-coated metal base
- Sliding tank door conceals standard 20 lb. propane tank in base
- Optional GLASS GUARD-1224 and CVR5038 protective cover
- Grey glass burner cover included
- UL, ULC, & CE Listed



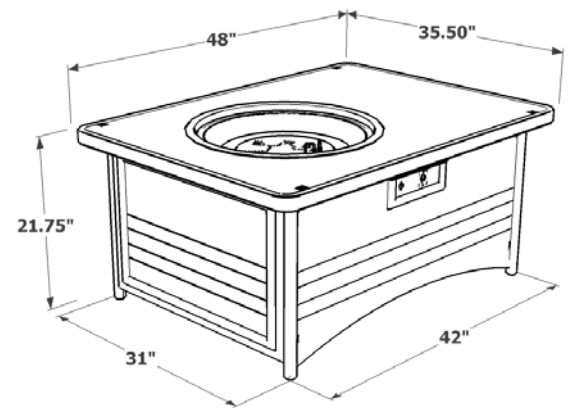
British Brown Grandstone with optional glass guard
GS-1224-BRN-K with GLASS GUARD-1224

naples



NAPLES-CT-B-K

- Black glass top on Balsam wicker base
- Powder-coated aluminum frame
- Access door conceals standard 20 lb. propane tank in base
- Black glass burner cover included
- Optional GLASS GUARD-20-R and CVR5038 protective cover
- UL, ULC, & CE Listed

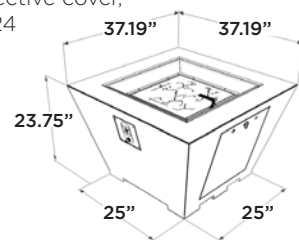


Customer safety is important to OGC—we ensure all of our Crystal Fire® Burners are UL listed for safety and products are made of the highest quality, outdoor-rated materials.

cove square



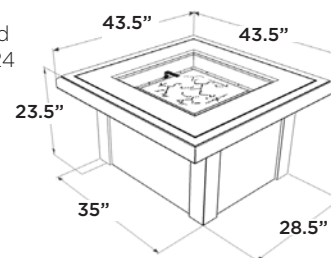
- Natural Grey Supercast™ base with square Black powder-coated Stainless Steel burner
- Contemporary Natural Grey concrete finish is unique to each fire pit, common attributes include pitting and color density variation
- Access door conceals standard 20 lb. propane tank in base
- Grey glass burner cover included
- Optional CVR3939 protective cover, and GLASS GUARD-2424
- UL & ULC Listed. Made in USA.



sierra square



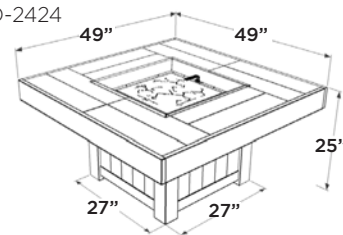
- Outdoor-rated faux stone and durable Mocha Supercast™ top
- Sliding tank door holds standard 20 lb. propane tank in base
- Matching recessed Supercast™ burner cover included
- Base available unfinished to apply your own custom finish
- Optional CVR4444 protective cover and GLASS GUARD-2424
- UL & ULC Listed. Made in USA.



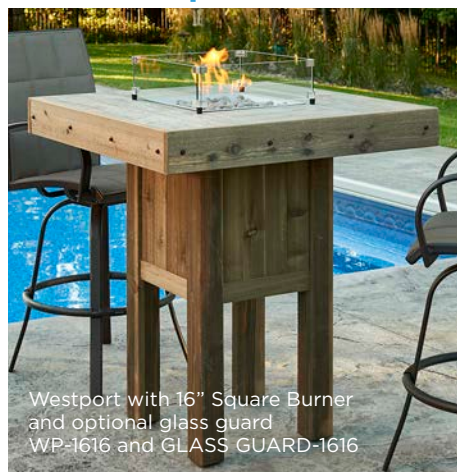
vintage square



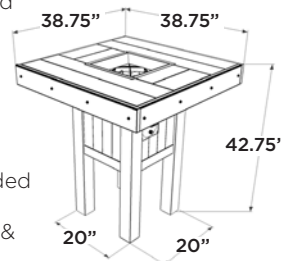
- Colorful faux-wood tile top with Honey Glow Brown powder-coated Stainless Steel Crystal Fire® Burner
- Access door conceals standard 20 lb. propane tank in base
- Distressed cedar paneled base is unique to each fire pit table, wood color and grain pattern will vary
- Grey glass burner cover included
- Optional GLASS GUARD-2424 and CVR5151 protective cover
- UL & ULC Listed. Made in USA.



westport



- Distressed faux-wood tile top with either Pewter powder-coated Stainless Steel Crystal Fire® Burner with fire glass gems (WP-1616) or Intrigue Outdoor Lantern (WP-INT) with Tumbled Lava Rock.
- Access door conceals standard 20 lb. propane tank or Intrigue housing for 1 lb. tank
- Distressed cedar paneled base is unique to each table, wood color and grain pattern will vary
- Grey glass burner cover included with WP-1616
- Optional GLASS GUARD-1616 & CVR4040 protective cover
- UL & ULC Listed. Made in USA.

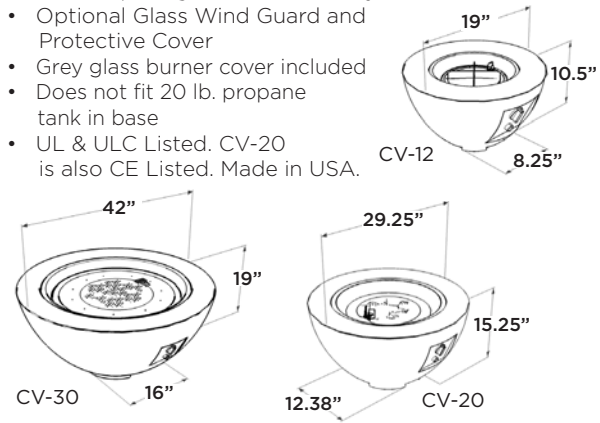


cove fire pit bowl collection



Left to right: CV-20, CV-12, and CV-30

- Natural Grey Supercast™ bowl with round Stainless Steel burner
- Contemporary Natural Grey concrete finish is unique to each fire bowl, common attributes include pitting and color density variation
- Optional Glass Wind Guard and Protective Cover
- Grey glass burner cover included
- Does not fit 20 lb. propane tank in base
- UL & ULC Listed. CV-20 is also CE Listed. Made in USA.

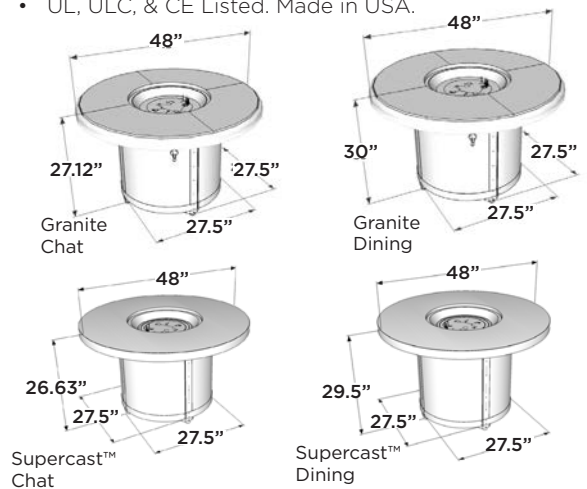


beacon collection



White Onyx Beacon Dining
BD-20-WO

- Four top colors and three base colors
- Absolute Black granite top on Black powder-coated metal base or British Brown granite top on Dora Brown powder-coated metal base
- White Onyx Supercast™ top on Graphite Grey powder-coated metal base or Marbleized Noche Supercast™ top on Dora Brown powder-coated metal base
- Matching burner cover included
- Sliding tank door holds standard 20 lb. propane tank in base
- Available in chat or dining height (Black available in chat height only)
- Optional GLASS GUARD-20-R and CVR50 protective cover
- UL, ULC, & CE Listed. Made in USA.



Brown Granite Beacon Dining
BD-20-BG



Black Granite Beacon Chat
BC-20-AB



Marbleized Noche Beacon Chat
BC-20-MNB

ROUND

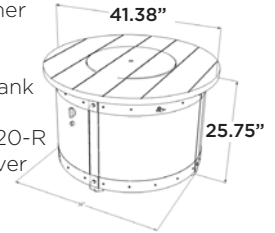
edison



ED-20 with GLASS GUARD-20-R

Weathered Grey Barnwood Supercast™ Detail

- Weathered Grey Barnwood Supercast™ top on a Pewter Crater powder-coated steel base
- Matching Supercast™ burner cover included
- Sliding access door holds standard 20 lb. propane tank in base
- Optional GLASS GUARD-20-R and CVR42 protective cover
- UL, ULC, & CE Listed.
- Made in USA.



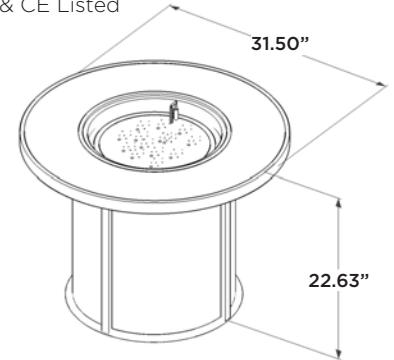
Sliding access door

stonefire



SF-32-K

- Stonefire composite top with Dora Brown powder-coated aluminum frame with Brown mesh base
- Matching Stonefire composite burner cover included
- Access door conceals standard 20 lb. propane tank in base
- Optional CVR36 protective cover
- 16" Stainless Steel burner
- UL, ULC, & CE Listed



renegade



RNG-32

- Portable gas fire pit table for RVing, camping, tailgating and more
- Black powder-coated diamond plate metal finish
- Matching burner cover and carrying bag included
- Detachable legs for convenient storage and carrying
- 16" Stainless Steel burner
- UL, ULC, & CE Listed



Carrying bag

ROUND

crystal fire® burners

Purchase any of our burners separately to create your own fire pit. All burners come with propane and natural gas orifice. Call for a quote on a custom linear burner up to 10 ft. Powder-coated color burners available for additional \$50 (3 weeks lead time.) UL Listed Crystal Fire® Burners come standard in stainless steel with Clear Tempered Glass Fire Gems.



BURNERS CAN BE CUSTOM ORDERED IN TWO COLORS:



glass media and accessories

Crystal Fire® Glass lights up Crystal Fire® Burners with an ember-like glow. Comes standard with Clear Tempered Glass Fire Gems. Optional colors and shapes can be ordered separately. 10 styles to choose from plus lava rock.



TUMBLLED LAVA LAVA ROCK LOGSET LAZY SUSAN TABLE COVERS BURNER COVERS GLASS GUARDS



PERGOLAS



OUTDOOR KITCHENS



FURNITURE



CUSTOM & COMMERCIAL



OUTDOOR FIREPLACES



TABLE TOP LANTERNS



INDOOR FIREPLACES



HEARTH ACCESSORIES



THE OUTDOOR
GREATROOM
COMPANY



14400 Southcross Drive West • Suite 100 • Burnsville, MN 55306
Toll Free: 1.866.303.4028 • Sales@OutdoorRooms.com

OutdoorRooms.com

REV11-18