

MODORE 185 SINGLE-SIDED FIREPLACE



EuropeanHome

Manufacturer and Importer of high-end Gas, Wood and Electric Fireplaces



Dutch designs imported
from the Netherlands

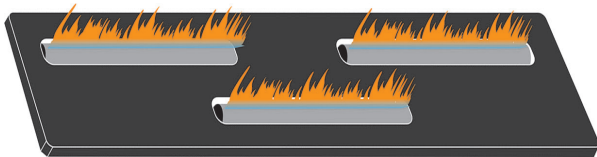


SPECIFICATIONS

GAS TYPE	Natural Gas or Propane
BURNER	Multi Burner
HEAT OUTPUT (NATURAL GAS)	10,919 - 44,699 BTU/hr
HEAT OUTPUT (LIQUID PROPANE)	9,213 - 46,746 BTU/hr
VIEWABLE OPENING	71 ½" W x 16 ¾" H
WEIGHT	400 lbs.
VENTING	Requires 5" x 8" Direct Vent
FLAME ADJUSTMENT	Yes
INTERIOR	Black Anthracite (Standard)
REMOTE CONTROL	Yes
ELECTRIC IGNITION	Yes
CERTIFICATION	ANSI Z21.11.50a-2008, CSA 2.22a-2008 - Vented Gas Fireplaces
MASS APPROVAL CODE	G1-0117-315
EFFICIENCY	90%

PRODUCT OPTIONS & ACCESSORIES

MULTI BURNER SYSTEM



PRODUCT	ITEM CODE
MODORE 185	E4-MOD-185-KIT

GLASS SAFETY BARRIER (GSB)

PRODUCT	ITEM CODE
MODORE 185	E4-MOD-185-GSB-KIT

PROPANE (LP) CONVERSION KIT

PRODUCT	ITEM CODE
For 185 Models	E4-SA-LPCK-16

CONVECTION AIR OPENING TRIMS



PRODUCT	ITEM CODE
Opening Size 8" x 1.75" Frame Size 10.5" x 3.75"	E4-SA-PF-CAOT-8-02
Opening Size 10" x 2.5" Frame Size 12" x 4.5"	E4-SA-PF-CAOT-10-02
Opening Size 11" x 3" Frame Size 12.5" x 4.5"	E4-SA-PF-CAOT-11-02
Opening Size 11" x 5.5" Frame Size 13" x 7.5"	E4-SA-PF-CAOT-11.5-02
Opening Size 20" x 1.75" Frame Size 22" x 3.75"	E4-SA-PF-CAOT-20-03
Opening Size 25" x 2" Frame Size 27" x 4"	E4-SA-PF-CAOT-25-03
Opening Size 34" x 1.75" Frame Size 36" x 3.75"	E4-SA-PF-CAOT-34-02
Opening Size 36" x 1.75" Frame Size 38" x 3.75"	E4-SA-PF-CAOT-36-03
Opening Size 38" x 2.5" Frame Size 40" x 4.5"	E4-SA-PF-CAOT-38-02
Opening Size 40" x 1.75" Frame Size 42" x 3.75"	E4-SA-PF-CAOT-40-03
Opening Size 50" x 2" Frame Size 52" x 4"	E4-SA-PF-CAOT-50-02

FIRE MEDIA - LANDSCAPE SERIES



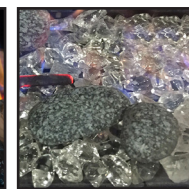
FALLEN BIRCH



FOREST PATH



LOG SET



TUNDRA

PRODUCT	ITEM CODE
FALLEN BIRCH	For 185 Models E4-FM-FB-420
FOREST PATH	For 185 Models E4-FM-FP-420
LOG SET	For 185 Models E4-LSE-420 II
TUNDRA	For 185 Models E4-FM-TN-420

FIRE MEDIA - CLASSIC SERIES



BLACK QUARTZ



BRILLIANTS



CARRARA PEBBLES



GRAY STONES

PRODUCT	ITEM CODE
BLACK QUARTZ	For 185 Models E4-STBGE4-22
BRILLIANTS	For 185 Models E4-STDE4-22
CARRARA PEBBLES	For 185 Models E4-STC4-5
GRAY STONES	For 185 Models E4-FM-GS-12

INTERIOR BLACK REFLECTIVE PANELS

PRODUCT	ITEM CODE
For 185 Models	E4-CP-BG-MOD-185

INTERIOR CONCRETE STYLE PANELS

PRODUCT	ITEM CODE
For 185 Models	E4-CP-CON-185-FR

POWER VENT

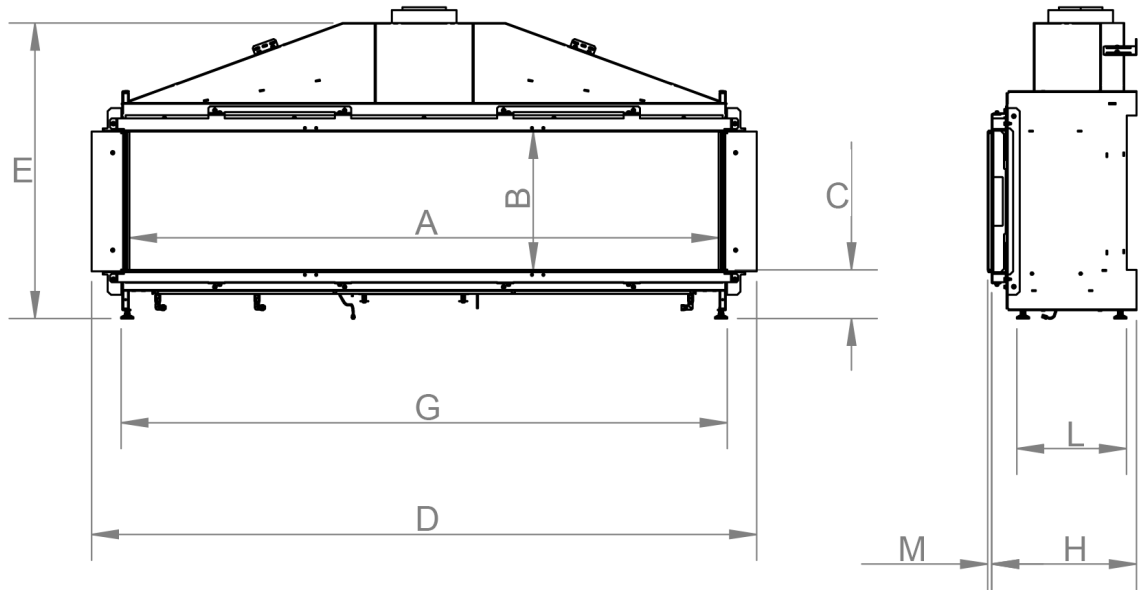
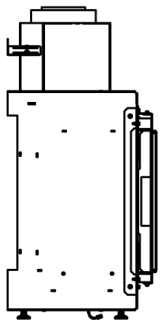
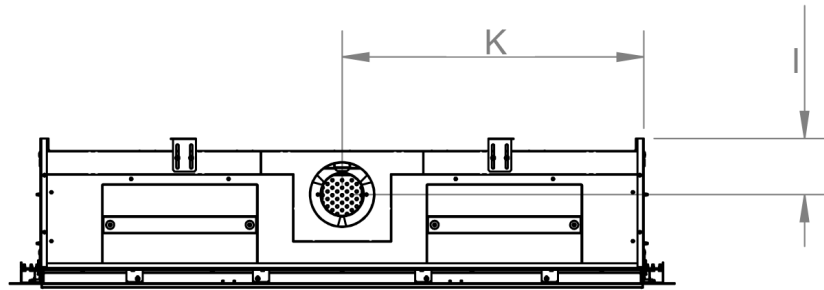
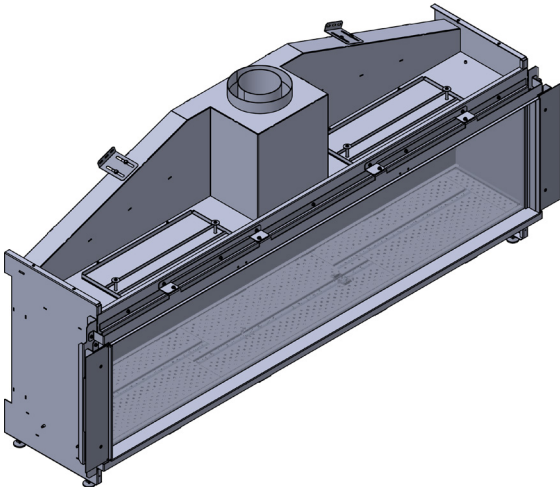
IN-LINE 2 TERMINATION POWER VENT FOR VENTING UP TO 98 FEET

ITEM CODE
E4-PV-01-KIT

MISC ACCESSORIES

PRODUCT	ITEM CODE
Home Automation Cable	E4-SA-SHSC-02
Wi-fi Enabling Kit	E4-GS-Wi-fi
Puck Smart Control	E4-GS-PUCK-02
Dealer Service Case	E4-SVC-Case-02

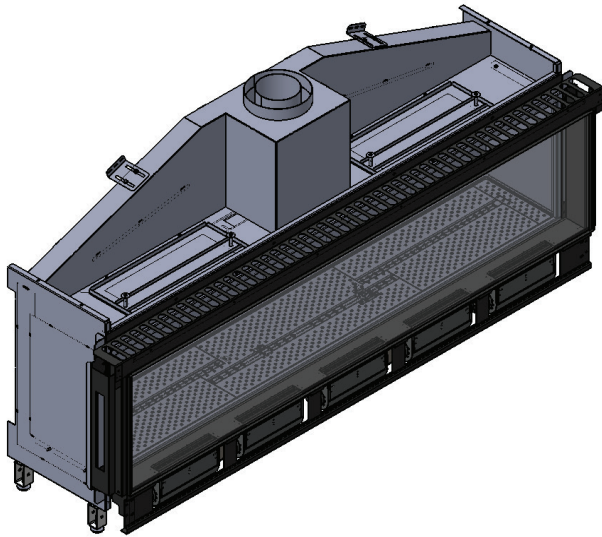
CUT SHEET



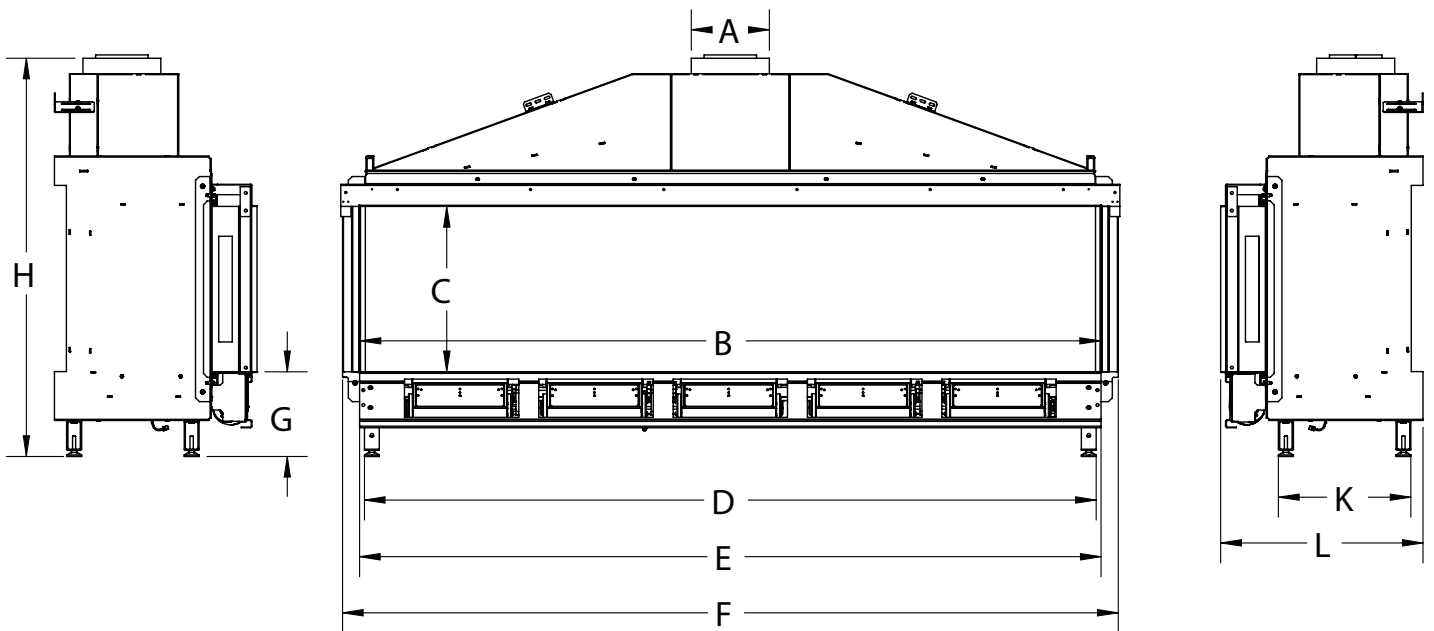
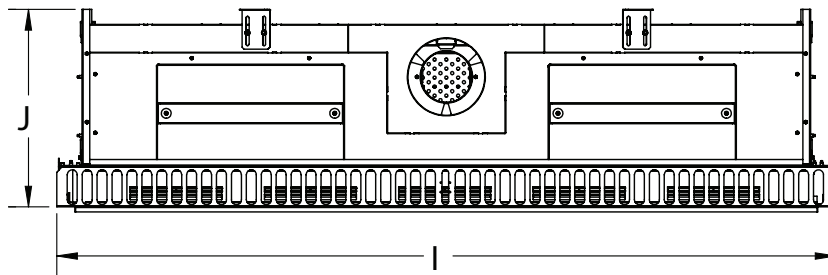
LETTER	A	B	C	D	E	G	H	I	K	L	M
INCHES [MILLIMETER]	$71\frac{1}{2}$ " [1816]	$16\frac{3}{4}$ " [426]	$5\frac{7}{8}$ " [150]	$80\frac{11}{16}$ " [2050]	$35\frac{13}{16}$ " [910]	$73\frac{9}{16}$ " [1868]	$17\frac{9}{16}$ " [446]	$6\frac{3}{4}$ " [172]	$36\frac{5}{8}$ " [930]	$13\frac{5}{16}$ " [338]	$\frac{1}{2}$ " [13]

CUT SHEET

MODEL WITH GLASS SAFETY BARRIER (GSB)



Letter	Inches	Millimeters
A	7 7/8	199
B	74 7/16	1890
C	16 5/8	422
D	73 9/16	1868
E	74 1/2	1893
F	77 15/16	1980
G	8 1/2	216
H	40	1017
I	78 5/16	1989
J	19 13/16	504
K	13 5/16	338
L	20 5/16	517



VENTING CHARTS

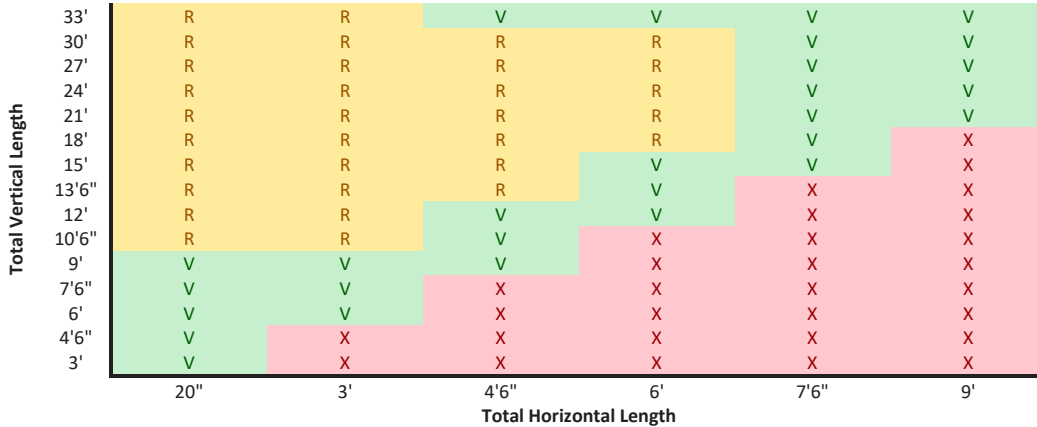
3.5 Category 5 (Imperial) – Ratio 2:1

Fireplaces in this category are never to be reduced to vent diameter 4/6".

NB: For the Modore /Tenore 240 a restriction plate is never necessary.

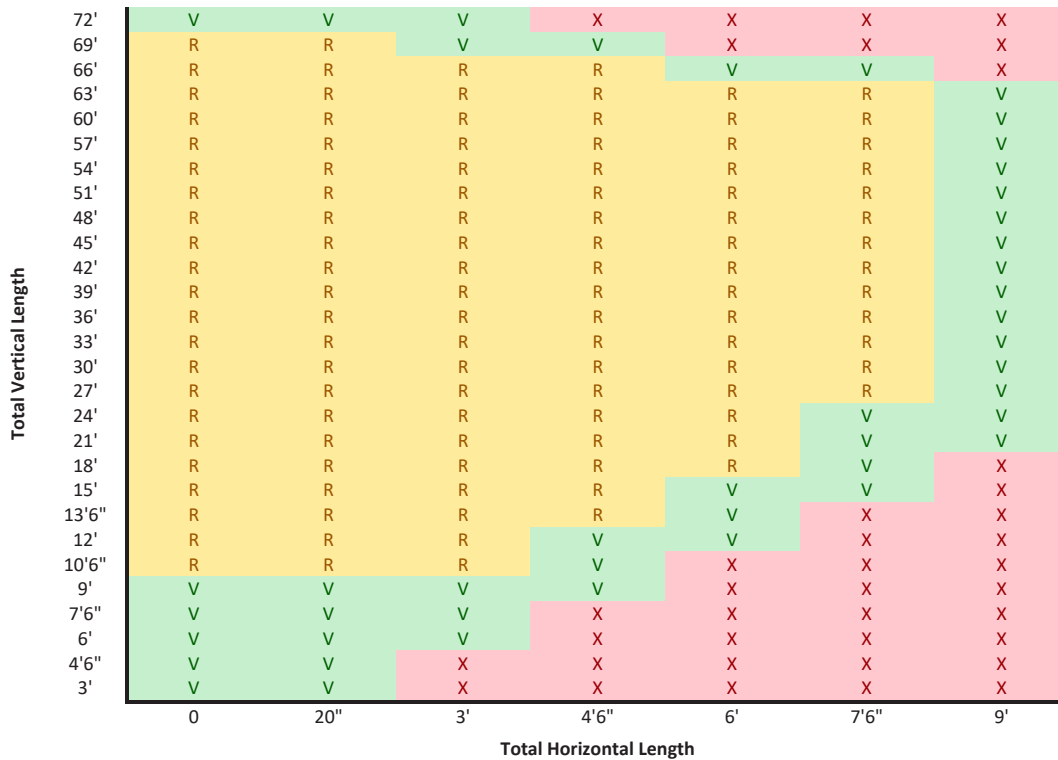
R	Air Restrictor Required
V	Air Restrictor Not Required
X	Can Not Have That Vent Run

3.5.1 Calculation table horizontal termination vent diameter 5/8



3.5.2 Calculation table vertical termination vent diameter 5/8

For a vertical termination a minimal starting length of 20" before an elbow is required and - **Total Vertical Length** is 7'.

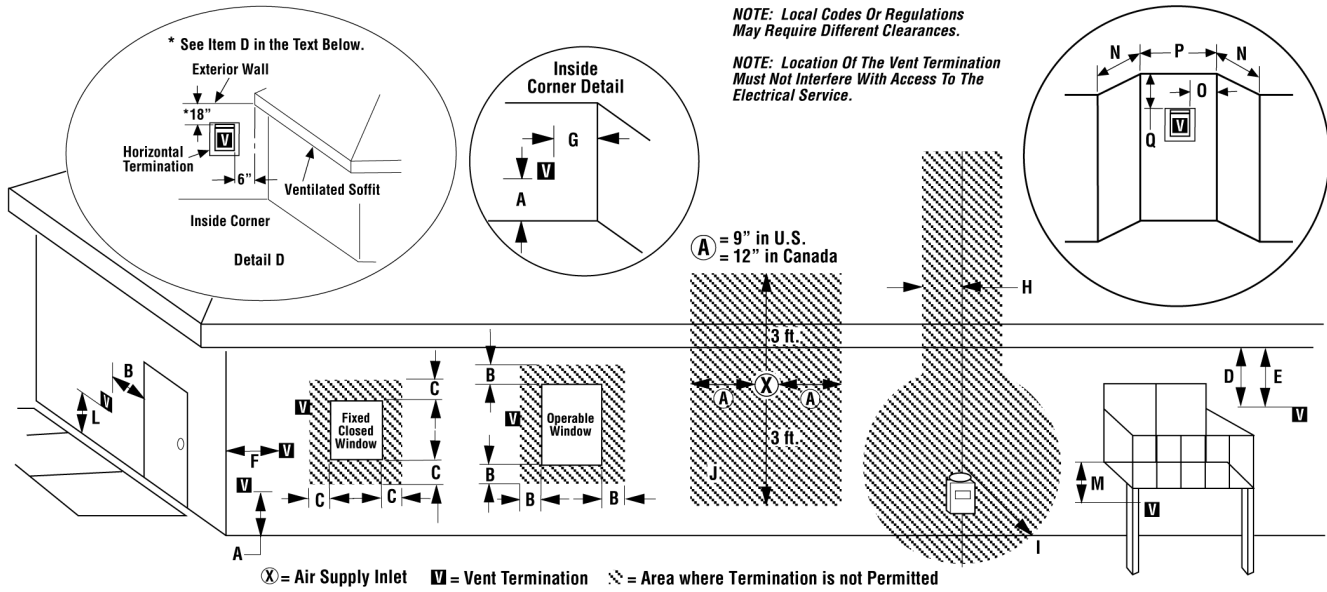


3.5.3 Calculation table vertical termination vent diameter 4/6 inches

When the vent is exclusively vertical, it may be reduced to a diameter 4/6 inches vent given the Total Vertical Length is a minimum of 7 feet. In this case you do not have to use a restriction plate.

VENTING CLEARANCES

HORIZONTAL VENT TERMINATION CLEARANCES AND REQUIREMENTS



	US Installation**	Canadian Installation*
A = Clearance above grade, veranda, porch, deck, or balcony.	12 inches (30cm)**	12 inches (30cm)*
B = Clearance to window or door that may be opened.	6 inches (15cm) for appliances < 10,000 Btuh (3kW), 9 inches (23cm) for appliances > 10,000 Btuh (3kW) and < 50,000 Btuh (15kW), 12 inches (30cm) for appliances > 50,000 Btuh (15kW)**	6 inches (15cm) for appliances < 10,000 Btuh (3kW), 12 inches (30cm) for appliances > 10,000 Btuh (3kW)
C = Clearance to permanently closed window	9 inches (229mm) recommended to prevent window condensation	12 inches (305mm) recommended to prevent window condensation
D = Vertical clearance to ventilated soffit located above the termination within a horizontal distance of 18 inches (458mm) from the center line of the termination	18 inches (458mm)	18 inches (458mm)
E = Clearance to unventilated soffit	12 inches (305mm)	12 inches (305mm)
F = Clearance to outside corner	5 inches (12.7cm) minimum	5 inches (12.7cm) minimum
G = Clearance to inside corner	2 inches (5.08cm) minimum - SV4.5HT-2	2 inches (5.08cm) minimum - SV4.5HT-2
H = Clearance to each inside of center line extended above meter/regulator assembly	3 feet (91cm) within a height of 15 feet above the meter/regulator assembly**	3 feet (91cm) within a height of 15 feet above the meter/regulator assembly*
I = Clearance to service regulator vent outlet	3 feet (91cm)**	3 feet (91cm)*
J = Clearance to nonmechanical air supply inlet to building or the combustion air inlet to any other appliance	6 inches (15cm) for appliances < 10,000 Btuh (3kW), 9 inches (23cm) for appliances > 10,000 Btuh (3kW) and < 50,000 Btuh (15kW), 12 inches (30cm) for appliances > 50,000 Btuh (15kW)**	6 inches (15cm) for appliances < 10,000 Btuh (3kW), 12 inches (30cm) for appliances > 10,000 Btuh (3kW)
K = Clearance to a mechanical air supply inlet	3 feet (91cm) above if within 10 feet (3m) horizontally**	6 feet (1.83m)*
L = Clearance above paved sidewalk or paved driveway located on public property	7 feet (2.13m)‡	7 feet (2.13m)‡
M = Clearance under veranda, porch, deck or balcony	12 inches (30cm)‡	12 inches (30cm)*‡
N = Depth of Alcove (Maximum)	6 feet (1.83m)**	6 feet (1.83m)*
O = Clearance to Termination (Alcove)	6 inches (15.2mm)**	6 inches (15.2mm)*
P = Width of Alcove (Minimum)	3 feet (91cm)*	3 feet (91cm)*
Q = Clearance to Combustible Above (Alcove)	18 inches (457mm)**	18 inches (457mm)*

* In accordance with the current CSA-B149.1 National Gas And Propane Installation Code.

** In accordance with the current ANSI S2223.1/NFPA 54 National Fuel Gas Codes.

‡ A vent shall not terminate directly above a sidewalk or paved driveway which is located between two single family dwellings and serves both dwellings.

*‡ Only permitted if veranda, porch, deck or balcony is fully open on a minimum 2 sides beneath the floor:

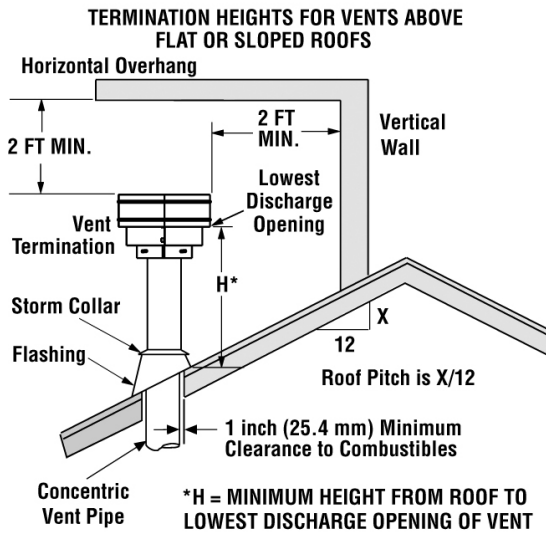
VENTING CLEARANCES

VERTICAL TERMINATION CLEARANCES AND REQUIREMENTS

Important Note for Roof Terminations

These instructions should be used as a guideline and do not supersede local codes in any way. Install venting according to local codes, these instructions, the current National Fuel Gas Code (ANSI Z223.1 in the USA) or the current standard of CAN/CSA-B149.1 in Canada.

Vertical Vent Termination Clearances

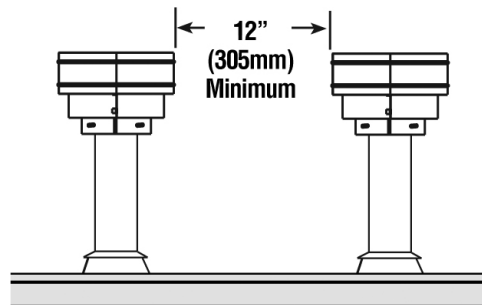


The vent / air intake termination clearances above the high side of an angled roof is as shown in the following chart:

Termination Heights For Vents Above Flat Or Sloped Roofs Ref. NFPA 54 / ANSI Z223.1		
Roof Pitch	* Feet	* Meters
Flat to 6/12	1.0	0.3
6/12 to 7/12	1.25	0.38
7/12 to 8/12	1.5	0.46
8/12 to 9/12	2.0	0.61
9/12 to 10/12	2.5	0.76
10/12 to 11/12	3.25	0.99
11/12 to 12/12	4.0	1.22
12/12 to 14/12	5.0	1.52
14/12 to 16/12	6.0	1.83
16/12 to 18/12	7.0	2.13
18/12 to 20/12	7.5	2.29
20/12 to 21/12	8.0	2.44

Termination Heights

A second termination may be no closer than 12"/305 mm.



Multiple Termination Clearance