



SOLACE

ZERO CLEARANCE DIRECT VENT GAS FIREPLACE



Unit Illustrated: Solace MQHBZDV4736N Direct Vent Fireplace, LOGF36 Fiber Split Oak Log Set, VLBIT4 Log Bits, HB47CVCK Designer Clean View Circulating Kit, HB47RRH Red Herringbone Brick Liner.

ACCESSORY OPTIONS
(LOG SET OR ROCK SET REQUIRED FOR EACH UNIT)

LOG SETS



LOGF36 Fiber
Split Oak
(SOLACE)



MQLOGC45
Burnt Oak
(SOLACE II)



MQROCK2
Natural
Rock Set

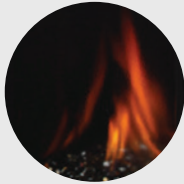


MQROCK3
Multi-Colored
Rock Set

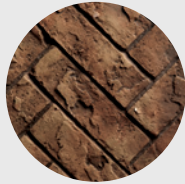
ROCKS

SUPPORT PLATFORM
REQUIRED – SOLACE ONLY

LINERS



PL
Porcelain
Reflective Liner



RLH
Herringbone
Brick Liner



RRH Red
Herringbone
Brick Liner



RLT
Traditional
Brick Liner

REMOTE CONTROLS

On/Off, Thermostat On/Off or Thermostat
with Flame Modulating and or Fan Control



THERMOSTATS

Wall Mount Thermostat
or Programmable Thermostat



WALL SURROUND

FLATT (FOR HB36 ONLY)

Black

Find Your **SOLACE II**

Imagine lively gatherings or times of quiet reflection in front of the beautiful Solace II. Available in two sizes, the Solace II allows you to transform your fireplace into something truly unique.

The Solace II Decorative rated fireplace for ambiance and taking the chill out of the room or choose the Solace models (heater rated version) for additional warmth.

Visit www.marquisfireplaces.net to see the latest evolution in fireplaces.



STANDARD FEATURES

- Millivolt or IPI valve system allows operation during a power failure with Hi/Low heat and flame adjustment
- Dual burner with Realistic Flame Pattern
- Safety Screen Barrier

OPTIONAL FEATURES

Designer Clean View Circulating Kit:

No Louvers Required

Wall Surrounds: Flatt (HB36) – Black

Louvers: Grills available in Black, Classic Series Black with Polished Brass, Antique or Chrome Accents

Surrounds Wide (Louvered Units):

Black and Chrome

Coverage:

HB36 – 35 1/2" h x 41 1/8" w

HB42 – 37 5/8" h x 45 1/8" w

HB47 – 43 5/8" h x 50 1/8" w

Fan Kit: Heat activated with variable speed control

Accessories: Log sets or rock sets required

Liners: Porcelain Reflective Liner or Brick Liners



Unit Illustrated: Solace II HBZDV4224N Direct Vent Fireplace, MQLOGC45 Oak Log Set, HB42GBL Grill Kit – Black, HB42RLT Traditional Brick Liner.

SOLACE

Model	MQHBZDV3636N/NE	MQHBZDV3636LP/LPE	MQHBZDV4236N/NE	MQHBZDV4236LP/LPE	MQHBZDV4736N/NE	MQHBZDV4736LP/LPE
Flue	Top	Top	Top	Top	Top	Top
Fuel	Natural	Propane	Natural	Propane	Natural	Propane
Input Max.	30,500 BTU	29,000 BTU	30,500 BTU	29,000 BTU	40,000 BTU	36,000 BTU
Input Min.	20,600 BTU	22,200 BTU	20,600 BTU	22,200 BTU	27,000 BTU	30,000 BTU
FE (P.4.1-15)	62% / 64.6%	66.2% / 68.3%	64.8% / 67.6%	67.4% / 70.1%	60.4% / 62.4%	53.8% / 55.3%
Log Set	LOGF36	LOGF36	LOGF36	LOGF36	LOGF36	LOGF36

SOLACE II

Model	HBZDV3624N/NE	HBZDV3624LP/LPE	HBZDV4224N/NE	HBZDV4224LP/LPE
Flue	Top	Top	Top	Top
Fuel	Natural	Propane	Natural	Propane
Input Max.	24,000 BTU	22,000 BTU	24,000 BTU	22,000 BTU
Input Min.	14,000 BTU	15,000 BTU	14,000 BTU	15,000 BTU
FE (P.4.1-15)	50.5% / 53%	54.5% / 56.8%	55.7% / 58.6%	57.4% / 60.2%
Log Set	MQLOGC45	MQLOGC45	MQLOGC45	MQLOGC45

TOP FLUE MODEL	Height		Front Width		Depth	
	Actual	Framing	Actual	Framing	Actual	Framing
HBZDV36	34 13/16"	35"	36"	36 3/8"	16 7/16"	17"
HBZDV42	37"	37 3/8"	41 7/8"	42 3/8"	16 7/16"	17"
HBZDV47	43 1/16"	43 1/8"	47 1/16"	47 3/8"	19 7/16"	19 1/2"

LOUVERS						
HBZDV36	34 13/16"	35"	36"	36 3/8"	16 7/16"	17"
HBZDV42	37"	37 3/8"	41 7/8"	42 3/8"	16 7/16"	17"
HBZDV47	43 1/16"	43 1/8"	47 1/16"	47 3/8"	19 7/16"	19 1/2"

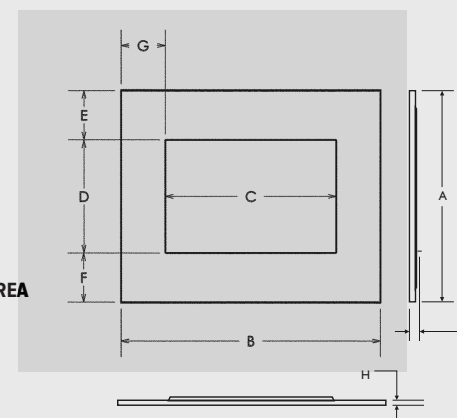
CLEAN VIEW CIRCULATING KIT						
HBZDV36	34 11/16"	41"	38 1/16"	38 7/16"	18 7/8"	19 1/2"
HBZDV42	36 13/16"	43"	42 1/16"	42 7/16"	18 15/16"	19 1/2"
HBZDV47	49"	49 1/8"	48 1/16"	48 3/8"	21 15/16"	22"

WALL SURROUND – FLATT

HBZDV36	E 9 1/2"
A 40 1/2"	F 9 1/2"
B 49 1/2"	G 2"
C 32 1/2"	H 2"
D 21 5/8"	I 1/2"

TOP FLUE MODEL VIEWING AREA

	Height	Width
HBZDV36	29 3/4"	18 5/8"
HBZDV42	33 3/8"	20 3/8"
HBZDV47	39 1/2"	26 3/8"

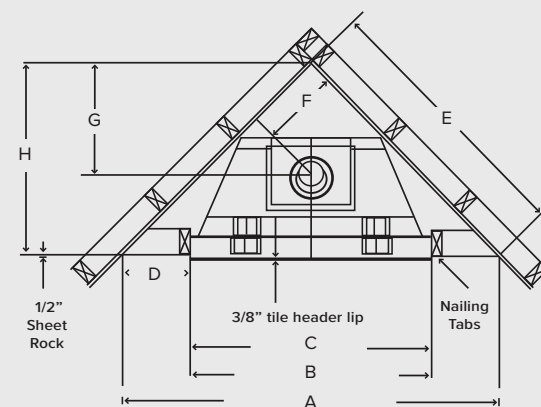


CORNER FRAMING DIMENSIONS (INCHES): LOUVERED UNITS

HBZDV36	HBZDV42	HBZDV47
A 54 13/16"	A 58 13/16"	A 65 1/4"
B 36 3/8"	B 42 3/8"	B 47 3/8"
C 36"	C 41 7/8"	C 47 1/16"
D 9 3/16"	D 8 1/4"	D 8 15/16"
E 38 3/4"	E 41 5/8"	E 46 1/8"
F 12 3/8"	F 13 3/4"	F 13 15/16"
G 17 9/16"	G 19 1/2"	G 19 11/16"
H 27 3/8"	H 29 7/16"	H 32 5/8"

CORNER FRAMING DIMENSIONS (INCHES): CLEAN VIEW CIRCULATING KIT (CVK)

HBZDV36	HBZDV42	HBZDV47
A 59 7/8"	A 63 13/16"	A 70 3/16"
B 38 7/16"	B 42 7/16"	B 48 3/8"
C 38 1/8"	C 42 1/16"	C 48 1/16"
D 10 11/16"	D 10 11/16"	D 10 7/8"
E 42 5/16"	E 45 1/8"	E 49 5/8"
F 12 3/8"	F 13 3/4"	F 13 15/16"
G 17 9/16"	G 19 1/2"	G 19 11/16"
H 29 5/16"	H 31 7/8"	H 35 1/16"





Marquis Fireplaces maintains a program of continuous testing refinement and improvements of all its products. Some aspect of units shown here may be changed at any time without notice or obligation.

Certification: The model MQHBZDV4736 are certified to: ANSI Z21.50-2014, CSA 2.22-2014, CGA 2.17-M91 (R2009) Vented Gas Fireplace. The models MQHBZDV3636/4236 are certified to: ANSI Z21.88-2014, CSA 2.33-2014, CGA 2.17-M91 (R2009) Vented Gas Fireplace Heater.

Note: Components may have to be ordered separately to create a complete unit. Discuss with your local Marquis Dealer for clarification.

Unit Illustrated: Solace MQHBZDV4236N Direct Vent Fireplace, LOGF36
Fiber Split Oak Log Set, HB42GBL Black Grills, HB42RLT Traditional Brick Liner.

Crafted entirely in Canada, each Marquis fireplace is built to the highest standards and made to last.



LIMITED LIFETIME WARRANTY

2340 Logan Avenue
Winnipeg, Manitoba, CAN
R2R 2V3
Phone: 204.632.1962
Fax: 204.632.1960
marquisfireplaces.net

Printed in Canada
B057 - 12/17

Canada

ENERGUIDE

Look for the **EnerGuide**
Gas Fireplace Energy
Efficiency Rating in this brochure

Based on CSA P.4.1-15