

Installation Instructions

Model Numbers: MCVST42N, MCVST42NE, MCVST42LP, MCVST42LPE

Certified to:
ANSI Z21.50-2014 • CSA 2.22-2014
ZERO CLEARANCE VENTED GAS FIREPLACE



Model Numbers: MCVST42NH, MCVST42NHE, MCVST42LPH, MCVST42LPHE

Certified to:
ANSI Z21.88-2014 • CSA 2.33-2014
ZERO CLEARANCE VENTED GAS FIREPLACE HEATER

⚠ WARNING:
FIRE OR EXPLOSION HAZARD
Failure to follow safety warnings exactly could result in serious injury, death, or property damage.

- Do not store or use gasoline or other flammable vapors and liquids in the vicinity of this or any other appliance.
- **WHAT TO DO IF YOU SMELL GAS**
 - Do not try to light any appliance.
 - Do not touch any electrical switch; do not use any phone in your building.
 - Leave the building immediately.
 - Immediately call your gas supplier from a neighbor's phone. Follow the gas supplier's instructions.
 - If you cannot reach your gas supplier, call the fire department.
- Installation and service must be performed by a qualified installer, service agency or the gas supplier.

This appliance may be installed in an aftermarket, permanently located, manufactured home (USA only) or mobile home, where not prohibited by local codes.

This appliance is only for use with the type of gas indicated on the rating plate. This appliance is not convertible for use with other gases, unless a certified kit is used.

INSTALLER: Leave this manual with the appliance.
CONSUMER: Retain this manual for future reference.

For Propane Horizontal installations the venting must be an additional one foot above the minimum vertical rise off the flue before going horizontal.

⚠ DANGER



HOT GLASS WILL CAUSE BURNS.
DO NOT TOUCH GLASS UNTIL COOLED.
NEVER ALLOW CHILDREN TO TOUCH GLASS.

A barrier designed to reduce the risk of burns from the hot viewing glass is provided with this appliance and shall be installed for the protection of children and other at-risk individuals.



A Division of R-Co. Inc.
2340 Logan Ave.
Winnipeg, Manitoba Canada
R2R 2V3 Ph.: (204) 632-1962
Printed in Canada November 7, 2016
Part# 42MCVST-MAN14

Table of Contents

INFORMATION

Table of Contents.....	2-3
Glass Safety / Termination Cap Safety- All Units.....	4
Warnings, Installations, and Operations.....	5-6
Pre-installation Questions and Answers.....	7
Operating Instructions.....	7
Recommendations for Finishing of Clean View Installations.....	8
Mobile Home/Manufactured Housing Installation.....	9

MCVST42 INSTALLATION

Framing- Nailing Tab Guide.....	10
Framing Your Gas Fireplace.....	11
Locating Your Appliance / Fireplace Dimensions.....	12
Framing Dimensions.....	13
Facing Requirements.....	14
Basic Finishing 1: MCVST42 With Screen Only.....	15
Basic Finishing 2: MCVST42 With S1 or S1PF Surround.....	16-17
Basic Finishing 3: Concrete Board Behind S2PF Surround (3/4" Maximum Total Thickness).....	18
Basic Finishing 4: Stone or Brick Around S2PF Surround.....	19
Basic Finishing 5: Tile Border Behind S2PF Surround (3/4" Maximum Total Thickness).....	20
Basic Finishing 6: MCVST42 With MQZCV42DD & Stone, Brick, or Tile Boarder.....	21-22
ZCV-TLK Tile Lip Kit.....	23
Mantel Clearances.....	24
MCVST42 Clearance to Combustibles.....	25

ACCESSORIES

MCVST42Child Safety Screen Installation.....	26
Surround Installations.....	27
MQZCV42DD Designer Door Installations.....	28
MST42PL Porcelain Liner Installation.....	29
MST42RL Brick Liner Installation.....	30
Baffle Removal (Heater Rated Units) / Deflector Removal (Decorative Units).....	31
MST42-GT Installation / Removal.....	32
M42-LG Installation / Removal.....	33
MQ42LOG1 8 Piece Driftwood Log Set - For use with GT Glass Tray.....	34
MQ42LOG1 8 Piece Driftwood Log Set - For use with M42LG Log Grate.....	35
MQ42LOG2 7 Piece Oak Log Set - For use with GT Glass Tray.....	36
MQ42LOG2 7 Piece Oak Log Set - For use with M42LG Log Grate.....	37
M42LOG3 6 Piece Driftwood Log Set - For use with GT Glass Tray.....	38
M42LOG4 8 Piece Oak Log Set - For use with M42LG Log Grate.....	39
UHS Box / Component Locations.....	40
ULK3 Universal Light Kit.....	41
MCVST42 Z46FK Fan Kit Installation.....	42
Split Receptacle- Fan Speed Control Outside of Fireplace.....	43
RBCB1 -Cannonballs- Installation Instructions.....	44
MQ Dealer Accessories for MCVST42 / MCVP42 (Glass).....	45
MQSTONE, MQROCK, MQEMBER.....	46

GENERAL INSTALLATION, USE, AND MAINTENANCE

Door Installation.....	47
Door and Glass Information.....	48
Gas Line Installation.....	49
Millivolt System, Lighting, and Burner Control.....	50
Troubleshooting the Gas Control System.....	51

Burner System Maintenance.....	52
Conversion Kit Instructions – PART A.....	53
Gas Conversion Kit For Top Convertible Pilot PART B.....	54
Gas Conversion for Modulator – PART C.....	55
Burner Removal / Burner System Removal / Installation.....	56
IPI SECTION	
IPI Electronic Ignition System.....	57
Remote Control Operation.....	58
IPI Electronic Ignition Parts List – Standard System.....	59
Configuration 1: Basic Manual Hi / Lo and manual Off.....	60
Configuration 2: Remote On / Off and manual Hi / Lo.....	61
Operating the Receiver Without Batteries For GT / EGT / GTM / EGTM Remote Controls.....	62
Configuration 3: Remote ON/OFF, Variable HI/LO, and Fan.....	63
Electronic Ignition Lighting Instructions.....	64
VENTING	
Vent Termination.....	65
General Vent Installation.....	66
Installation of Side Wall Venting.....	66
Venting Routes And Components.....	67
Horizontal Venting Table.....	67
Z58HT Horizontal Installations- Wall Thimble Sizing / Termination Sizing.....	68-69
Venting Straight Up Through Roof.....	70-71
Approved for Power Vent PVH58	72
PARTS LISTS	
PVH58 Parts List.....	73
MCVST42 Parts List.....	74-75
WARRANTY	
Limited Lifetime Warranty.....	76

-Glass Safety- All Units

IT IS THE RESPONSIBILITY OF THE HOME OWNER TO ENSURE THAT NO ONE TOUCHES A HOT APPLIANCE.

If the barrier becomes damaged, the barrier shall be replaced with the manufacturer's barrier for this appliance.

Any safety screen, guard, or barrier removed for servicing the appliance, must be replaced prior to operating the appliance.

- Children and adults should be alerted to the hazards of the high surface temperatures of this appliance and should stay away to avoid burns or ignition of clothing.
- Do not clean when the glass is hot.
- Young children should be carefully supervised when they are in the same room as the appliance. Toddlers, young children and others may be susceptible to accidental contact burns.
- A physical barrier is recommended if there are at risk individuals in the house. To restrict access to a fireplace or stove, install an adjustable safety gate to keep toddlers, young children and other at risk individuals out of the room and away from hot surfaces.
- Do not leave the fireplace remote control where it is accessible to children.

 **DANGER**



HOT GLASS WILL CAUSE BURNS.

DO NOT TOUCH GLASS UNTIL COOLED.

NEVER ALLOW CHILDREN TO TOUCH GLASS.

A barrier designed to reduce the risk of burns from the hot viewing glass is provided with this appliance and shall be installed for the protection of children and other at-risk individuals.

-Termination Cap Safety- All Units

 **WARNING:**

A HORIZONTAL VENT CERTIFIED GUARD (SAFETY CAGE) IS AVAILABLE WHEN REQUIRED BY LOCAL CODES.

SAFETY CAGES ARE AVAILABLE FOR ALL HORIZONTAL VENT TERMINATIONS. CHECK WITH YOUR DEALER.

- **TERMINATION CAP IS HOT!** Do not place flammable materials on or within 24 inches of termination caps.
- It is imperative that the vent termination be located observing the minimum clearances as shown in manual.
- There must not be any obstruction such as bushes, garden sheds, fences, decks or utility buildings within 24" from the front of the termination plate.
- Do not locate termination where excessive snow or ice build-up may occur. Be sure to check vent termination area after snow falls and clear to prevent accidental blockage of venting system. When using snow blowers, make sure snow is not directed towards vent termination area.
- Venting terminal shall not be recessed into a wall or siding.

Warnings, Installations and Operations

Installation Regulations

This gas appliance must be installed by a qualified installer in accordance with local building codes, or in the absence of local codes, with the current CAN/CSA-B149.1 or .2 Installation Code (in Canada) or the current National Fuel Gas Code Z223.1- NFPA 54 when installed in the United States.


This appliance, when installed, must be electrically connected and grounded in accordance with local codes, or in the absence of local codes, with the current CSA C22.1 Canadian Electrical Code or with the National Electrical Code; ANSI/NFPA 70 when installed in the United States.

In the U.S.A. Thermostats are not permitted for Vented Gas Fireplaces (ANSI Z21.50b-Decorative).

WARNING

FOR SAFE INSTALLATION AND OPERATION OF YOUR GAS FIREPLACE PLEASE NOTE THE FOLLOWING:

1. Do not clean when the glass is hot.
2. Do not use abrasive cleaners.
3. Using a substitute glass will void all product warranties.
4. For safe operation, glass doors must be closed.
5. When purging the gas line, the glass front must be removed.
6. Do not strike or abuse glass. Take care to avoid breakage.
7. Do not alter gas orifice.
8. No substitute materials may be used other than factory supplied components.
9. This appliance gives off high temperatures and should be located out of heavy traffic areas and away from furniture and draperies.
10. Children and adults should be alerted to the hazards of the high surface temperatures of this appliance and should stay away to avoid burns or ignition of clothing.
11. Young children should be carefully supervised when they are in the same room as the appliance. Toddlers, young children and others may be susceptible to accidental contact burns. A physical barrier is recommended if there are at risk individuals in the house. To restrict access to a fireplace or stove, install an adjustable safety gate to keep toddlers, young children and other at risk individuals out of the room and away from hot surfaces.
12. Under no circumstances should any solid fuels (wood, paper) be used in this appliance.
13. Under no circumstances should this appliance be modified. Any parts that have to be removed for servicing should be replaced prior to operating this appliance.
14. Any safety screen, guard, or barrier removed for servicing an appliance must be replaced prior to operating the appliance.
15. Installation and repair should be done by a qualified service person. The appliance should be inspected before use and at least annually by a professional service person. More frequent cleaning may be required due to excessive lint from carpeting, bedding material, et cetera. It is imperative that control compartments, burners and circulating air passageways of the appliance be kept clean. Make sure that the gas valve and pilot light are turned off before you attempt to clean this unit.
16. Clothing or other flammable material should not be placed on or near the appliance. This appliance should not be used as a drying rack for clothing nor should Christmas stockings or decorations be hung from it.
17. Do not use this heater if any part has been under water. Immediately call a qualified service technician to inspect the heater and to replace any part of the control system and any gas control which has been under water.
18. Do not operate appliance unless completely installed as per installation instructions.
19. Failure to position the parts in accordance with these diagrams or failure to use only parts specifically approved with this appliance may result in property damage or personal injury.
20. **WARNING: Do not operate appliance with the glass front removed, cracked or broken. Replacement of the glass should be done by a licensed or qualified service person.**
21. The appliance area must be kept clear and free from combustible materials, gasoline, and other flammable vapors and liquids.
22. The front of the fireplace gives off high temperatures that could ignite combustible material which is kept close to the front of the unit.
23. Ensure that power to the Fireplace is turned off before servicing.
24. Do not operate this Fireplace without the glass front or with a broken glass.
25. Improper installation, adjustment, alteration, service or maintenance can cause injury or property damage. Refer to the owner's information manual provided with this appliance. For assistance or additional information consult a qualified installer, service agency, or the gas supplier.
26. Operation of this appliance when not connected to a properly installed and maintained venting system or tampering with the blocked vent shutoff system can result in carbon monoxide (CO) poisoning and possible death.
27. This appliance is equipped with a three-prong (grounding) plug for your protection against shock hazard and should be plugged directly into a properly grounded three-prong receptacle. Do not cut or remove the grounding prong from this plug.



DANGER



**HOT GLASS WILL CAUSE BURNS.
DO NOT TOUCH GLASS UNTIL COOLED.
NEVER ALLOW CHILDREN TO TOUCH GLASS.**

A barrier designed to reduce the risk of burns from the hot viewing glass is provided with this appliance and shall be installed for the protection of children and other at-risk individuals.

- Gas fired appliances may be used only for supplemental heat and/or decorative purposes and under no circumstances shall they provide a primary heat source.
- This appliance must not be connected to a chimney flue serving a separate solid-fuel burning appliance.

NOTE: It is recommended that a Carbon Monoxide (CO) Detector be installed in or near bedrooms and on all levels of your home. Place a detector about 15ft [4.5m] outside the room that houses your gas appliance.

Certified for installation in a bedroom or bed/sitting room. In Canada must be installed with listed millivolt thermostat.

In the U.S.A. Thermostats are not permitted for Vented Gas Fireplaces (ANSI Z21.50b-Decorative).

In USA see local codes.

Operations and Maintenance Instructions

For safe installation and operation note the following:

- Venting systems should be periodically examined by a qualified agency.
- The flow of combustion and ventilation air must not be obstructed.
- The Burner/Log Assembly has been engineered and permanently adjusted for proper flame control.
- Periodically remove the logs from the grate assembly and vacuum any loose particles from the grate and burner areas. See Log Placement page to remove logs. Vacuum burner parts and replace logs.
- Never use your gas fireplace as a cooking device.
- Label all wires prior to disconnection when servicing controls. Wiring errors can cause improper and dangerous operation. Verify proper operation after servicing.

Installation Requirements for the Commonwealth of Massachusetts

In the Commonwealth of Massachusetts, the installer or service agent shall be a plumber or gas fitter licensed by the Commonwealth. When installed in the Commonwealth of Massachusetts or where applicable codes; the unit shall be installed with a CO detector per the requirements listed below.

1. For direct-vent appliances, mechanical-vent heating appliances or domestic hot water equipment, where the bottom of the vent terminal and the air intake is installed below four feet above grade the following requirements must be satisfied:
 - A. If there is not one already present, on each floor level where there are bedroom(s), a carbon monoxide detector and alarm shall be placed in the living area outside the bedroom(s). The carbon monoxide detector shall comply with NFPA 720.
 - B. A carbon monoxide detector shall be located in the room that houses the appliance or equipment and shall:
 - Be powered by the same electrical circuit as the appliance or equipment such that only one service switch services both the appliance and the carbon monoxide detector;
 - Have battery back-up power;
 - Meet ANSI/UL 2034 Standards and comply with NFPA 720; and
 - Have been approved and listed by a Nationally Recognized Testing Laboratory as recognized under 527 CMR.
 - C. A Product-approved vent terminal must be used, and if applicable, a Product-approved air intake must be used. Installation shall be in strict compliance with the manufacturer's instructions. A copy of the installation instructions shall remain with the appliance or equipment at the completion of the installation.
 - D. A metal or plastic identification plate shall be mounted at the exterior of the building, four feet directly above the location of vent terminal. The plate shall be of sufficient size to be easily read from a distance of eight feet away, and read "Gas Vent Directly Below".
2. For direct-vent appliances, mechanical-vent heating appliances or domestic hot water equipment where the bottom of the vent terminal and the air intake is installed above four feet above grade the following requirements must be satisfied:
 - A. If there is not one already present, on each floor level where there are bedroom(s), a carbon monoxide detector and alarm shall be placed in the living area outside the bedroom(s). The carbon monoxide detector shall comply with NFPA 720.
 - B. A carbon monoxide detector shall:
 - Be located in the room that houses the appliance or equipment;
 - Be either hard-wired or battery powered or both; and
 - Shall comply with NFPA 720.

A Product-approved vent terminal must be used, and if applicable, a Product-approved air intake must be used. Installation shall be in strict compliance with the manufacturer instructions. A copy of the installation instructions shall remain with the appliance or equipment at the completion of the installation.

For the state of Massachusetts a **T-handle gas shut-off valve** must be used on a gas appliance. This T-handle gas shut-off valve must be listed and approved by the state of Massachusetts. This is in reference to the state of Massachusetts state code CMR238.

Pre-installation Questions and Answers

About curing of the paint

Your stove or fireplace has been painted with the highest quality silicone stove paint. This paint dries quickly in 15-20 minutes when first applied at the factory. However, due to the high temperature silicone components, the paint will cure when heat is applied to the appliance as it is first used. The following information applies to the curing process to get the paint fully hard and durable.

Fire the appliance four successive times for 10 minutes each firing and a 5 minute cool down between each. Be aware during log and firebox paint curing that a white deposit may be developing on the inside of the glass doors. It is important to remove this white deposit from the glass doors using a fireplace glass cleaner.

- Babies, small children, pregnant women and pets should leave the area during the cure phase.
- Ventilate well, open doors and windows.
- Do not touch during curing.

Why does my fireplace or stove give off odour?

It is normal for your fireplace to give off some odor at first. This is due to the curing of the paint, adhesives, silicones and any undetected oil from the manufacturing process as well as the finishing materials used with the installations (e.g. marble, tile and the adhesives used to adhere this product to the walls can react with heat and cause odours).

It is recommended that you burn your gas fireplace or stove for a minimum of four hours at a time with the fan off (if a fan is present) after the curing of the paint has been completed. These odours can last upward to 40 hours of burn time; keep burning at a minimum of four hours per use until odours dissipate.

Noise coming from the fireplace?

Noise is caused by the expansion and contraction of metal as the appliance heats up and cools down. This is normal and is similar to the sounds produced by a furnace or heating duct. This noise does not affect the operation or longevity of your fireplace.

It is also normal for the fan to make some noise when it comes on. This noise can be reduced somewhat by turning down the speed of the fan with the variable speed control. Be aware, however, that this will reduce the volume of heated air circulated into the room by the fan.

Note to the Installer:

Be sure appliance is working properly and its operation (including remote control operation, if included) is fully explained to and understood by the customer.

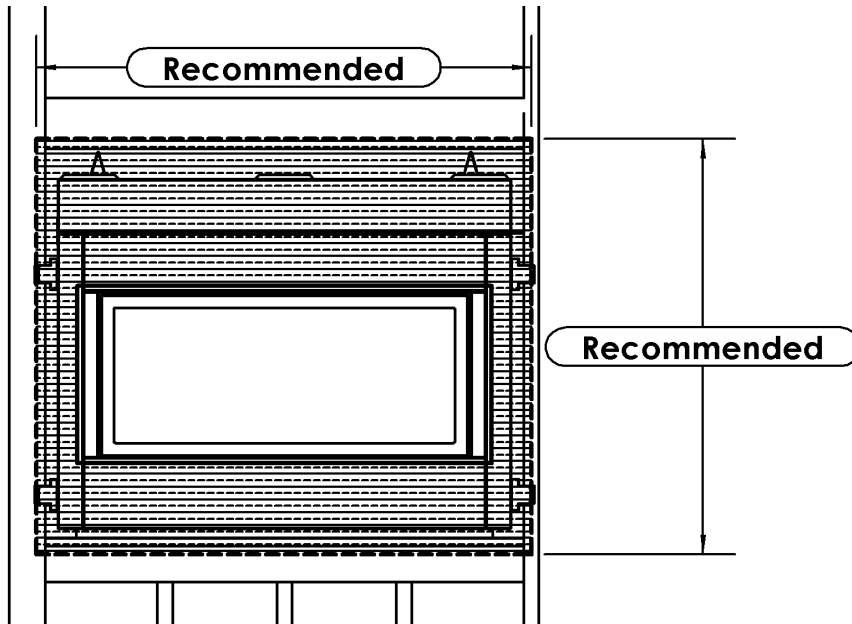
Operating Instructions

1. Be sure to read and understand all the instructions in this manual before operation of appliance.
2. Ensure all wiring is correct and properly enclosed to prevent possible shock.
3. Check for gas leaks.
4. Make sure the glass door is properly installed before operation. Never operate the appliance with the glass door removed.
5. Make sure venting and termination cap are installed and unobstructed.
6. If brick or porcelain liners are used, ensure they are installed.
7. Verify that the pilot can be seen when lighting the appliance. If not, the log or rock placement is incorrect.
8. If the unit is turned off, you must wait a minimum of 60 seconds before re-lighting it.

Recommendations for Finishing of Clean View Linear Products

When finishing the wall around the fireplace, it is critical that the wall covering be fastened properly. It is acceptable to pre-drill holes and use self-tapping screws which may be used to fasten a backer for tile, marble, etc. Screws being installed through non-combustible board should be self-tapping type with a maximum length of 2 inches. Wall covering fasteners, such as screws or nails, are not permitted in some locations. Do not drill or install longer screws which may penetrate into the lower cover panel area as this may damage internal components.

- Only **non-combustible** materials may be used over the face of the appliance.
- We recommend that DUROCK (non-combustible material) be tied in to the entire perimeter of the fireplace for durability.



Finishing Recommendations (Obtained from professional construction contractors and finishers):

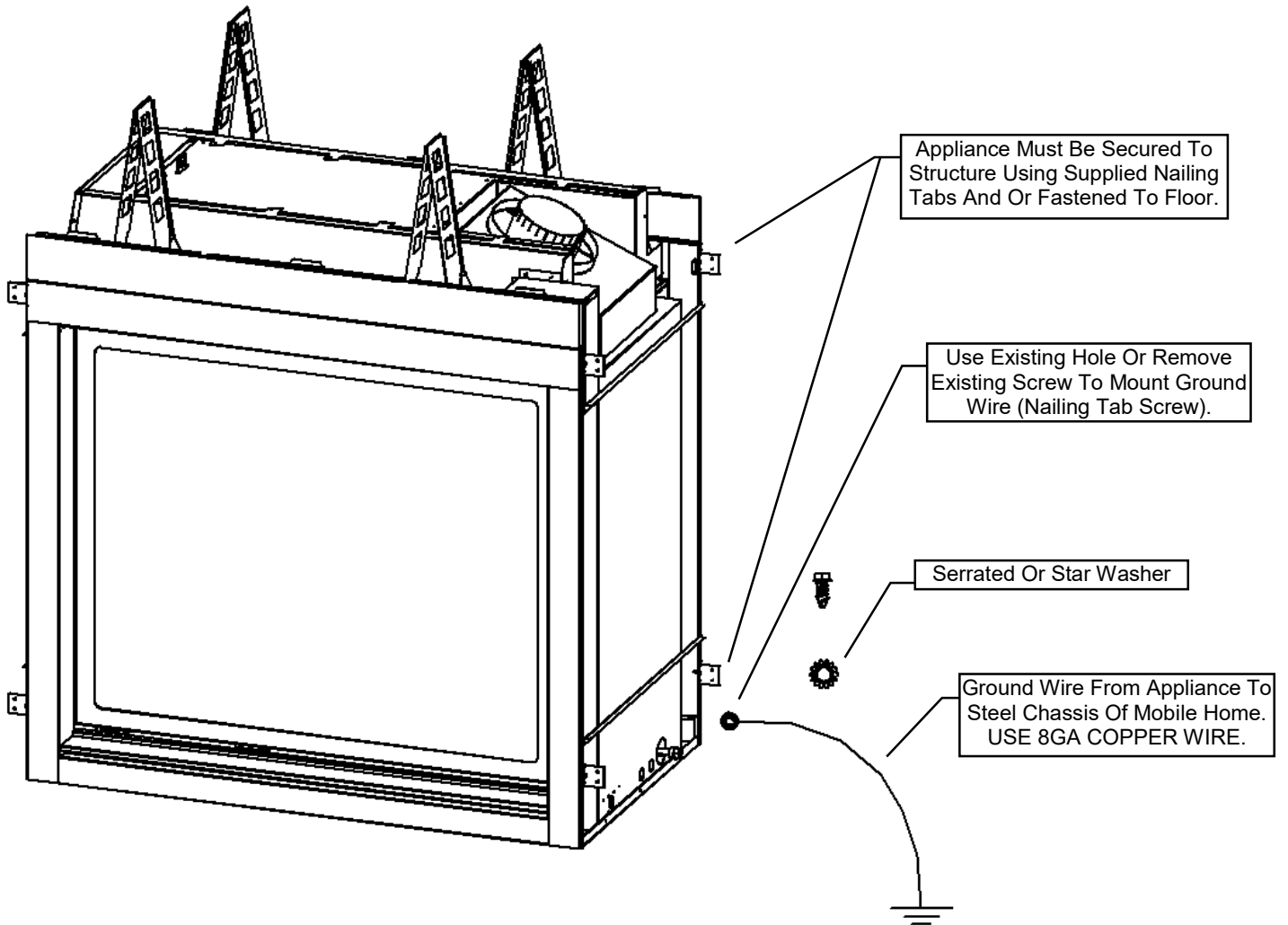
- Frame unit with metal studs (minimum 20 gauge). **Wooden studs may be used, but may cause drywall screws to pop or pull due to wood studs drying out.**
- Minimum of 1/2" DUROCK cement board (this **non-combustible** panel is ULC listed as a wall shield/floor protector) and fasten to the entire perimeter framing.
- Use fiberglass (mesh) tape for all joints in area of the fireplace.
- Use Yellow joint mud (contains high amounts of glue) – two coats, finishing with one coat of green topping mud, sand and prep for painting.
- If not using a surround, a metal "L" Trim may be used to finish perimeter of DUROCK.
- Refer to the following website for more information on using DUROCK Cement Board: www.cginc.com

OTHER NOTES:

- A **full single sheet** of non-combustible board (no joints) above the unit is recommended if possible.
- It is preferred to attach the non-combustible board to **framing only** and not directly to the unit to allow for expansion and contraction during normal operation.
- Lighter colored painted surfaces may discolor due to heat exposure.

Mobile Home/Manufactured Housing Installation

This Direct Vent System Appliance must be installed in accordance with the manufacturer's installation instructions and the Manufactured Home Construction and Safety Standard Title 24 CFR, Part 3280, or the current Standard for Fire Safety Criteria for Manufactured Home Installations, Sites, and Communities ANSI/NFPA 501A, and with CAN/CSA Z240 MH Mobile Home Standard in Canada.



THE VENTED GAS FIREPLACE HEATERS (ANSI Z21.88-2009) IN THIS MANUAL MAY BE INSTALLED IN MANUFACTURED (MOBILE) HOMES AFTER FIRST SALE IN THE USA.

THE VENTED GAS FIREPLACE HEATERS (ANSI Z21.88-2009) IN THIS MANUAL MAY BE INSTALLED IN MANUFACTURED (MOBILE) HOMES IN CANADA.

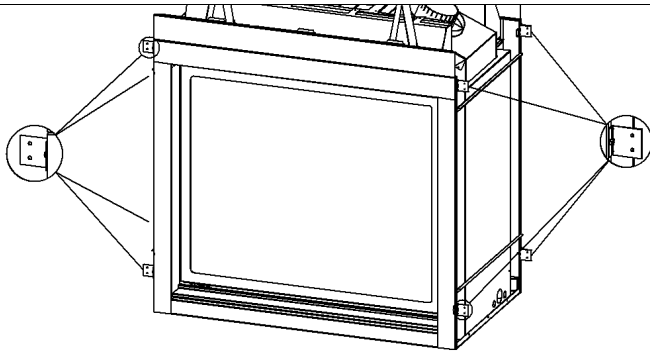
Please follow the current ANSI/NFPA 70 National Electrical Code in the USA and CAN/CSA C22.1 Canadian National Electrical Code in Canada.

An appliance must be grounded to the steel chassis of the home with 8 ga. copper wire using a serrated or star washer to penetrate paint or protective coating to insure grounding. Use carriage bolt at the attachment point (see diagram above) to secure the appliance to the floor.



Warning: Do not compromise the structural integrity of the manufactured home wall, floor or ceiling, during installation of appliance or venting.

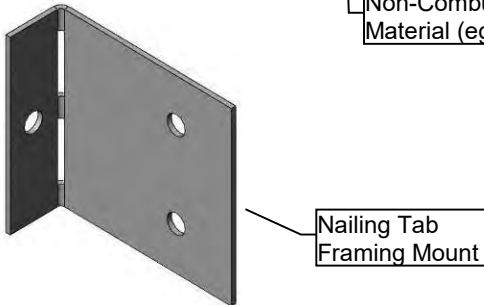
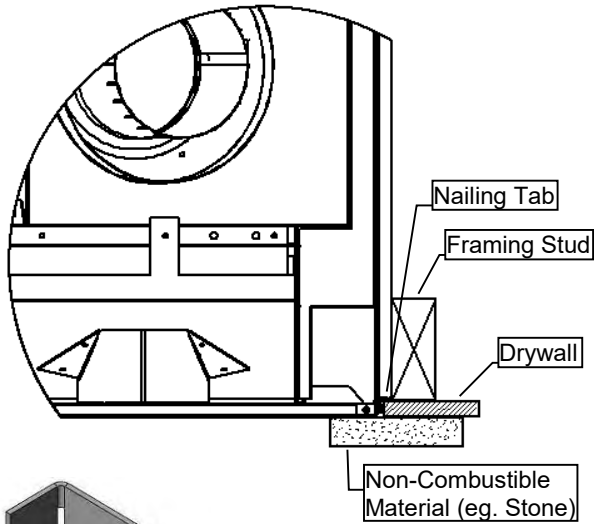
For required venting components see venting installation in appropriate section of this manual.



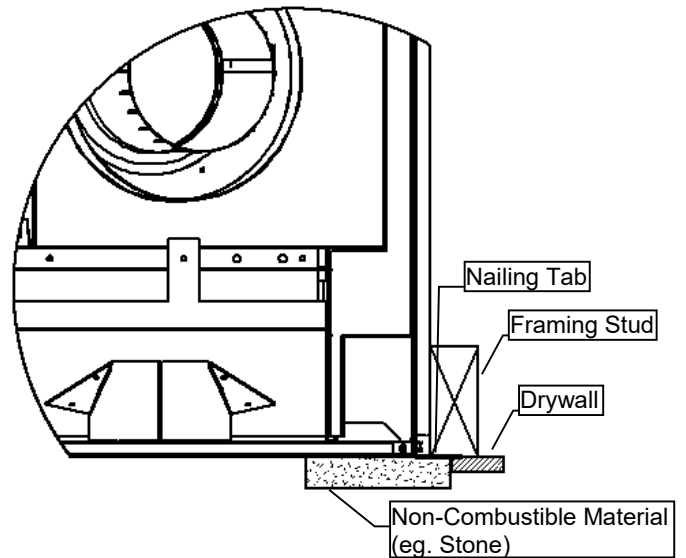
[Qty] 4 Nailing Tabs are located on each side of the fireplace.

These Nailing Tabs can be used in two ways:

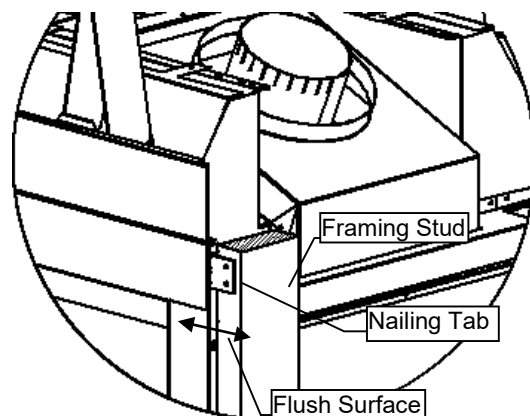
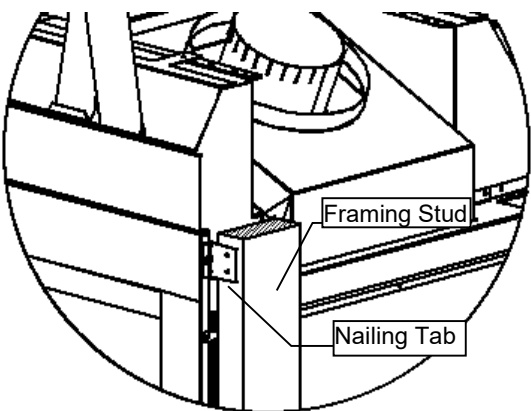
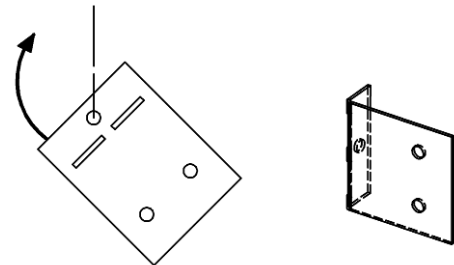
1/2" Drywall Flush with Face of Fireplace – Fireplace and Combustible Wall to be covered with a surround or Non-Combustible Materials (e.g. Stone around Fireplace).



Framing Flush with Face of Fireplace -Fireplace to be covered with Non-Combustibles (e.g. Concrete Board) for **Flat Wall** appearance.



Nailing Tabs Must Be Rotated 180° And Folded Back Onto Framing Stud.



This section is intended for qualified installers only. Before beginning, make note of where the gas and electrical accesses are located on the unit. This will streamline the construction process. Furthermore, familiarize yourself with the venting and clearance requirements (see Venting section) for this appliance. Failure to comply with those requirements can seriously compromise the safety and operation of the fireplace.

Specifications

1. Cold climate installation recommendation: When installing this fireplace against non insulated exterior wall or chase, it is recommended that the outer walls be insulated to conform to applicable insulation codes. Drywall & vapor barrier must be installed over insulation to prevent contact of insulation and unit.
2. Choose fireplace location and frame in accordance with the fireplace framing dimensions specified (view diagrams).
3. Drywall or other combustible material can extend up to the Drywall Stops located on the sides of the unit, and up to the bottom and top.
4. A Hearth is not required for this unit.

Vertical Venting in Cold Climates

In cold climate conditions where temperatures go below -10 degrees Celsius or 14 degrees Fahrenheit, we recommend that the chase be insulated and where the vent pipe enters into the attic space that the pipe be wrapped with an insulated Mylar sleeve. This will increase the temperature of the vent and help the appliance to vent properly in cold weather conditions.

It is also important in vertical vented direct vent appliances that the appliance be operated daily during the winter months as this will help stop the termination from freezing up. We recommend using a thermostat (Not permitted for decorative vented gas fireplaces installed in the U.S.A.) set at room temperature to allow the unit to cycle.

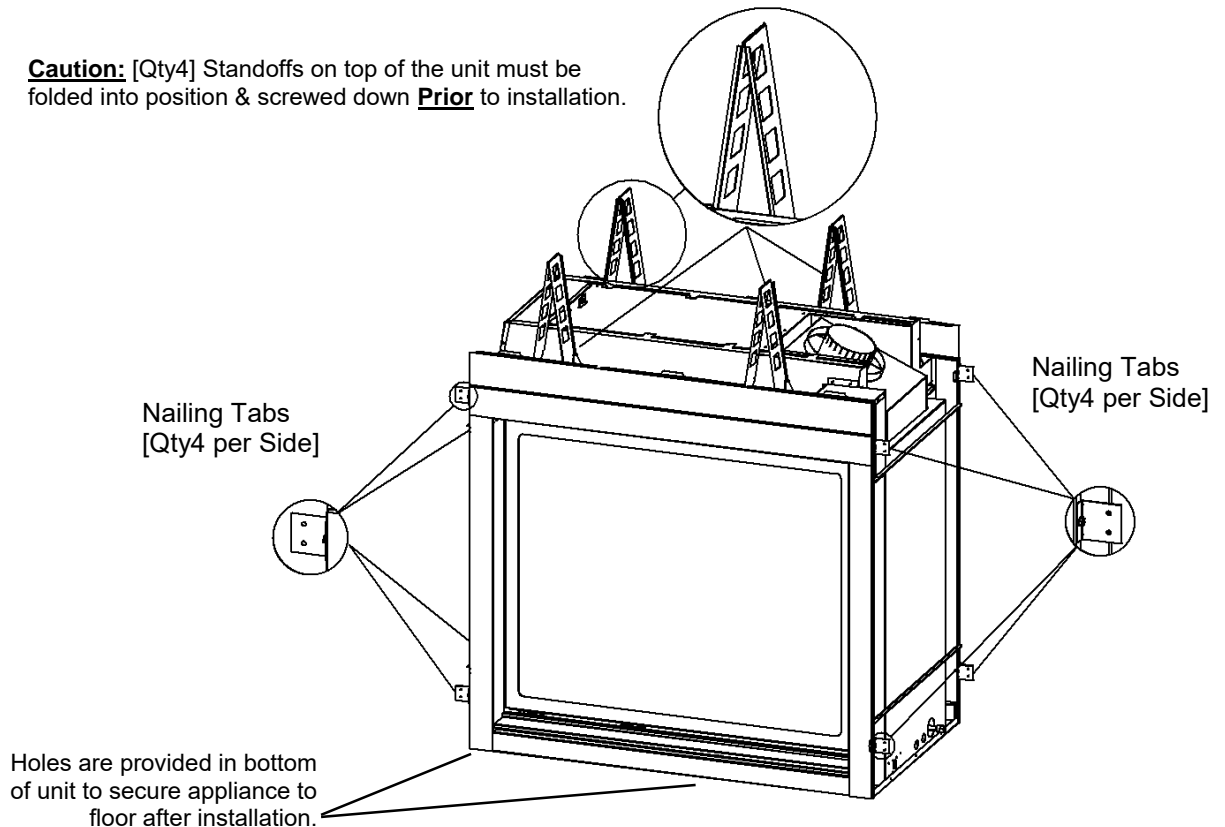
For IPI models it may be necessary to set the appliance to Standing Pilot mode to maintain heat in the cavity. The purpose of this procedure is to prevent cold air from penetrating the chimney and then onto the living space. Therefore, when the internal temperature is slightly elevated the fireplace is able to freely exhaust its combustion and hence making it easier to startup.

Certified for installation in a bedroom or bedsitting room. In Canada must be installed with listed millivolt thermostat (Not permitted for decorative vented gas fireplaces installed in the U.S.A.). In USA see local codes.

Stand-off Locations

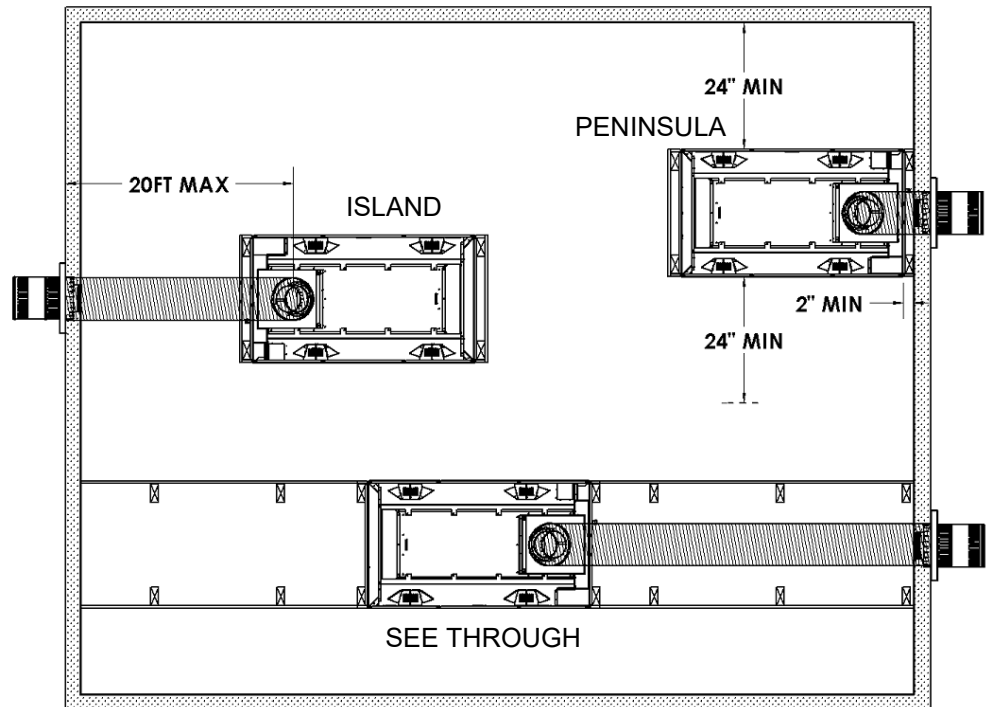
Make note of where the stand-off locations are. These stand-offs are provided as indicators to illustrate the boundaries for framing. Therefore, no framing material is permitted to extend beyond these stand-offs.

Caution: [Qty4] Standoffs on top of the unit must be folded into position & screwed down **Prior** to installation.



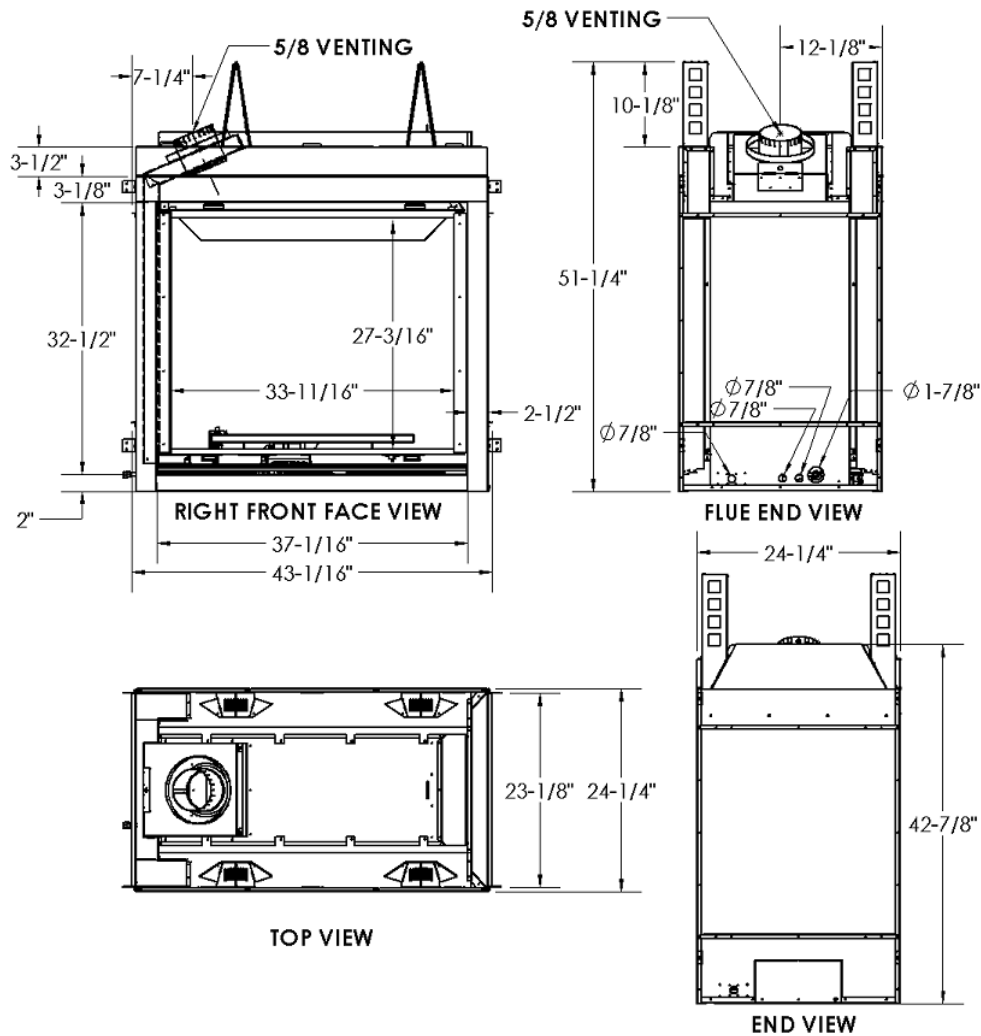
MCVST42 Locating Your Appliance

See Mantel Leg Clearances Instruction for the proper placement of fireplace.

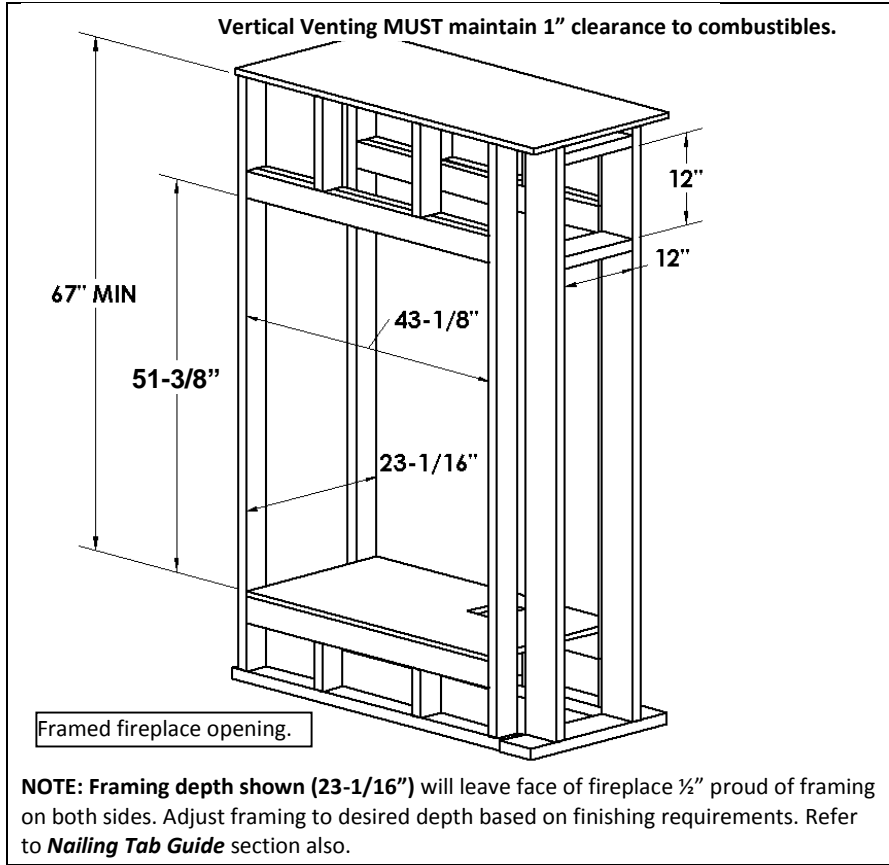


ALL UNITS MAY BE VENTED VERTICALLY

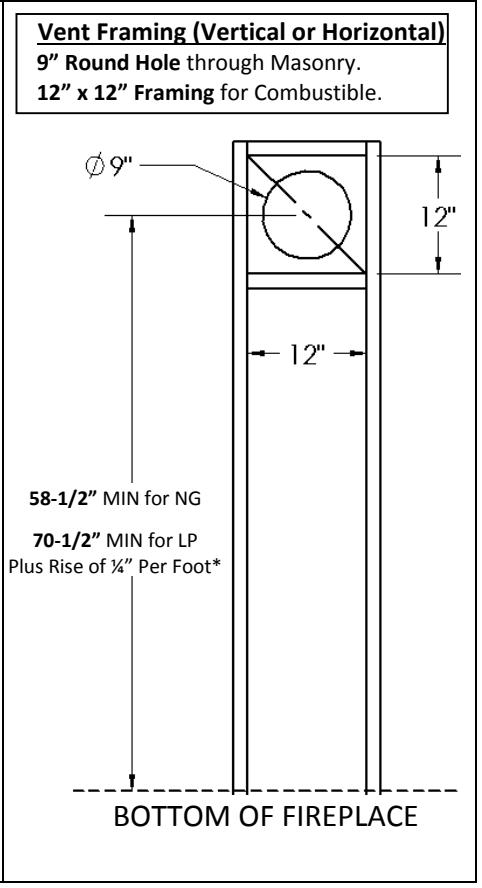
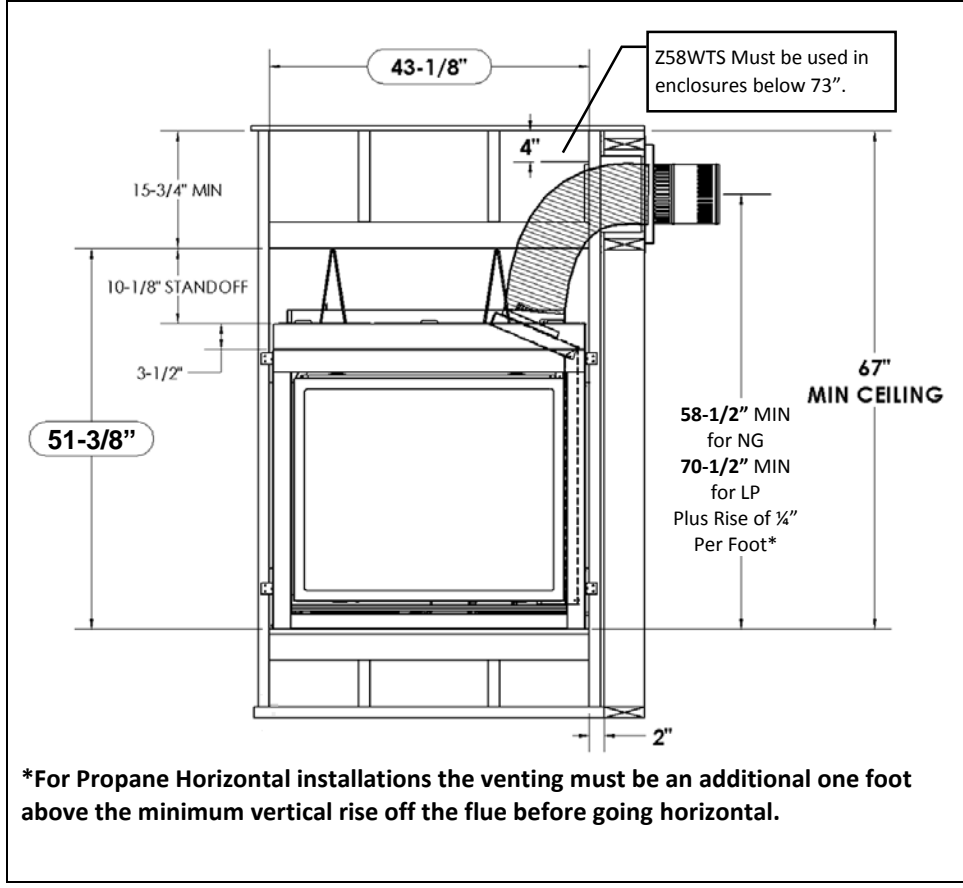
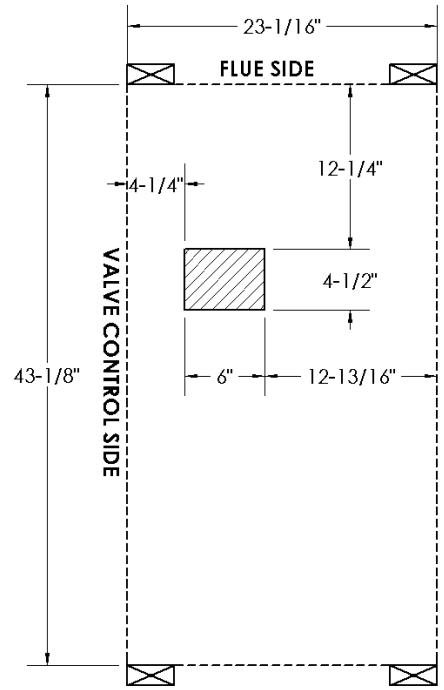
MCVST42 Fireplace Dimensions



These structures are not load bearing.



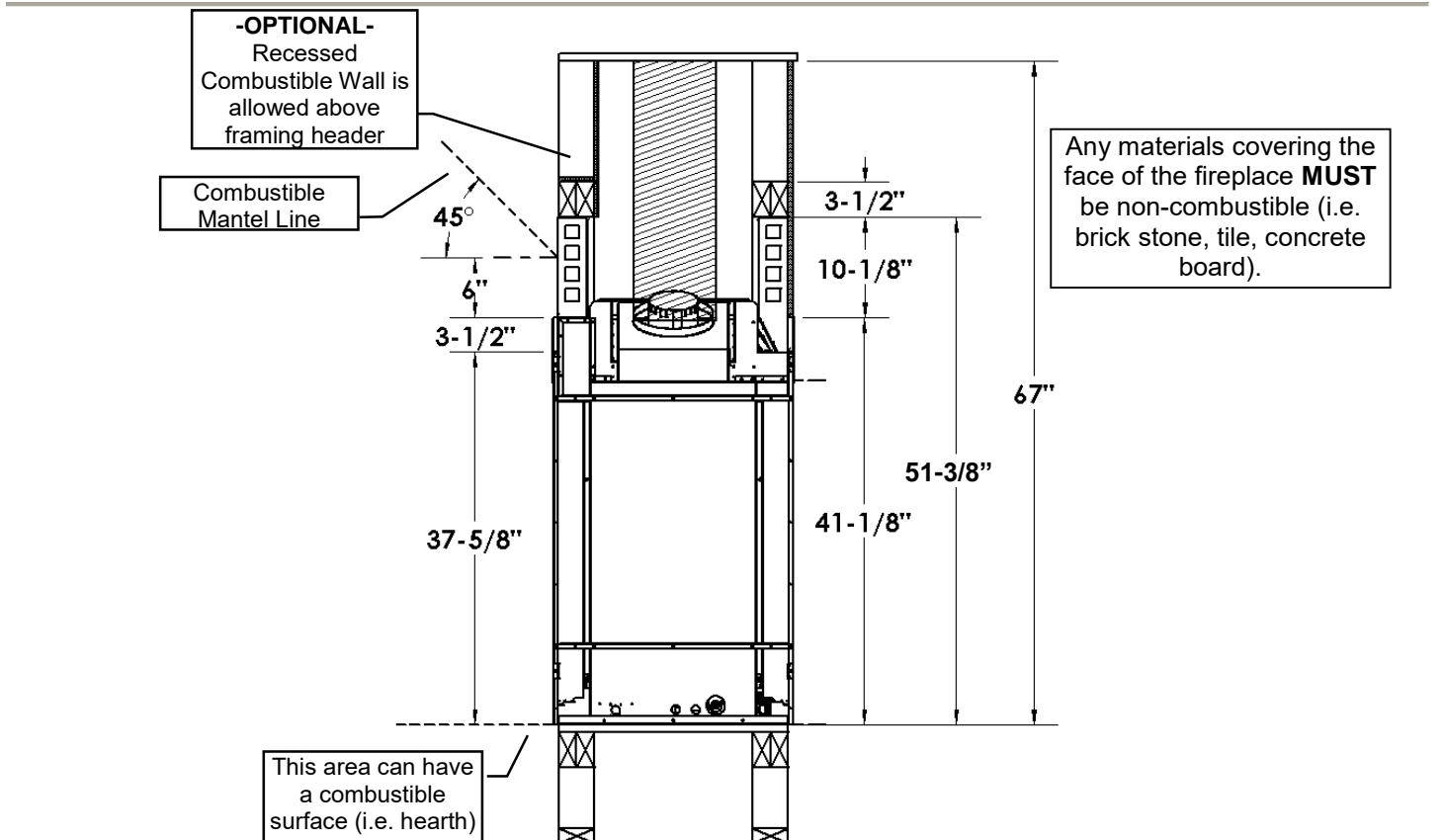
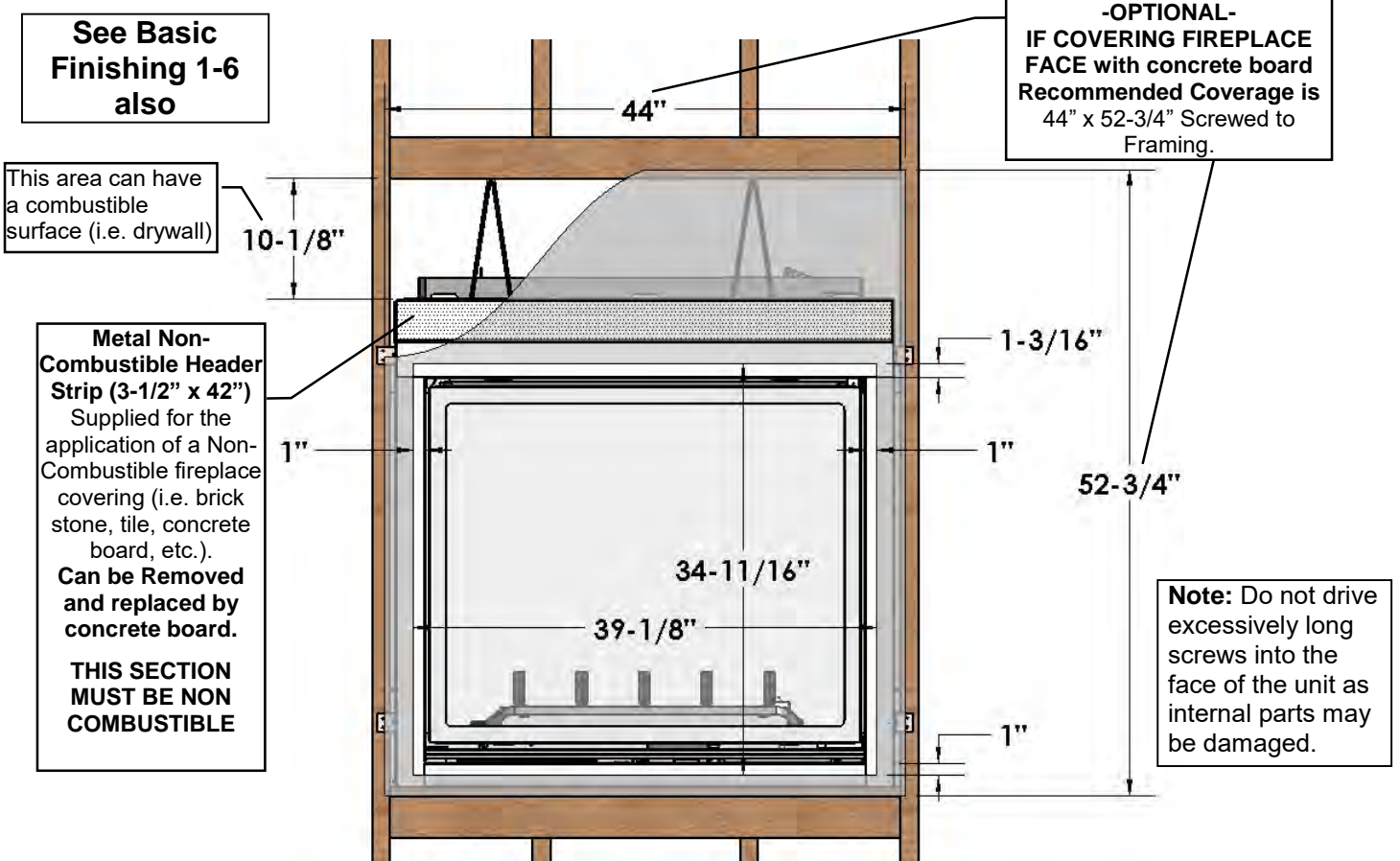
Optional floor cutout for gas line if coming up through floor.



MCVST42 Facing Requirements

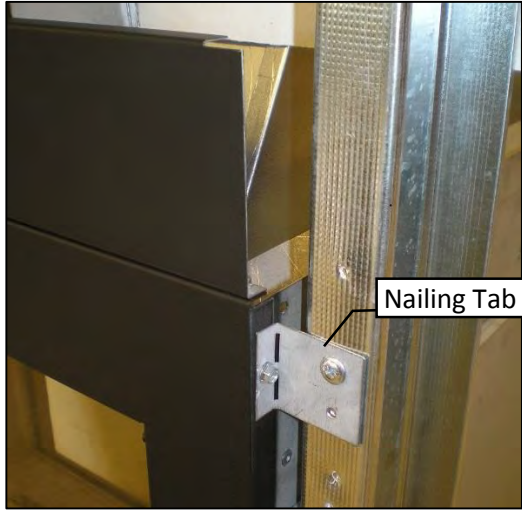
Required Non-Combustible Areas

Any materials covering the face of the fireplace must be non-combustible (i.e. brick stone, tile, concrete board). Safety Screens require 1-3/16" space on top of fireplace opening and 1" on sides and bottom to allow for installation & removal.



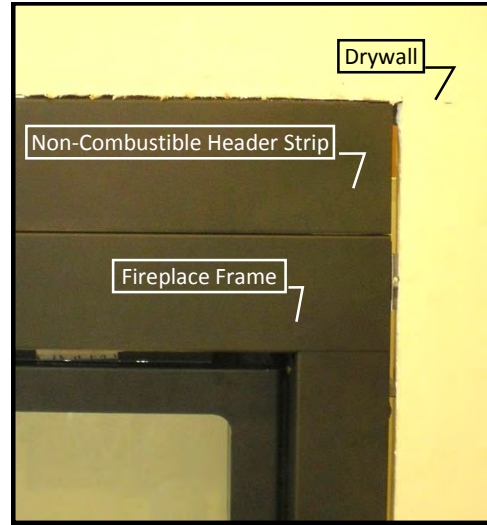
Basic Finishing 1: MCVST42 With Screen Only

Step One: Frame Fireplace with nailing tabs oriented as shown.

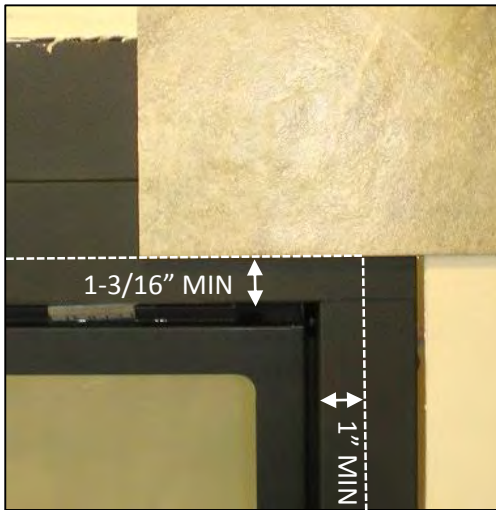


Step Two: Use Non-Combustible Header Strip on top frame of fireplace and Drywall to finish face of wall.

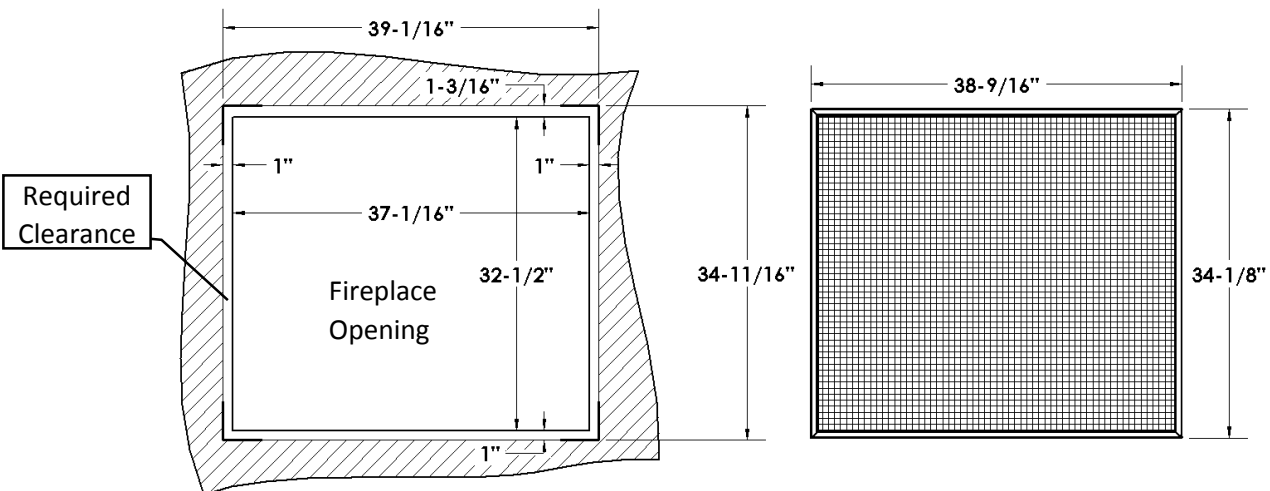
NOTE: Drywall will be flush with fireplace face.



Step 3: A brick, tile, or other non-combustible border may be applied over fireplace face to conceal border.



IMPORTANT NOTE! If installing tile, brick, or other non-combustible material around the perimeter of the screen: you **MUST** Leave 1' of the face exposed around the fireplace opening on the Bottom and Sides, and $1\text{-}3/16\text{'}$ exposed on the top. This is to install and remove the safety screen. See drawings below. **A Tile Lip Kit is Available. Part No. ZCV-TLK**



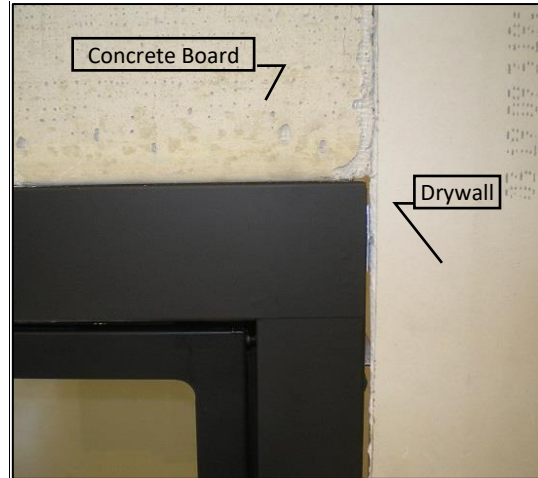
Basic Finishing 2: MCVST42 With S1 or S1PF Surround

Step One: Remove Non-Combustible Header Strip. Frame Fireplace with nailing tabs oriented as shown.

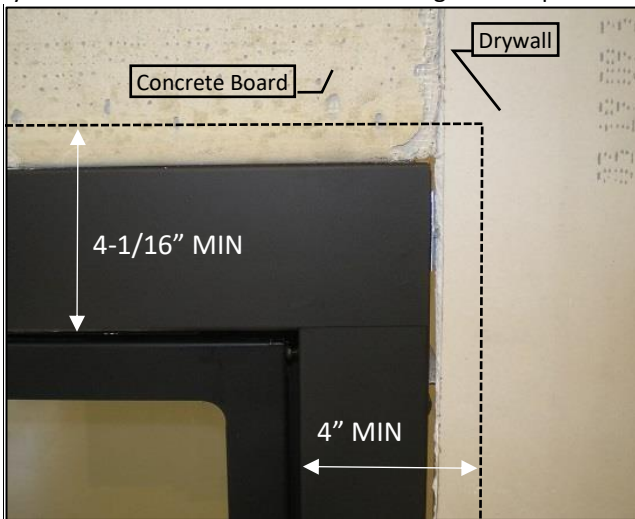


Step Two: Do not use Non-Combustible Header Strip on top frame of fireplace. Use Concrete Board.

NOTE: Wall will be flush with fireplace face.



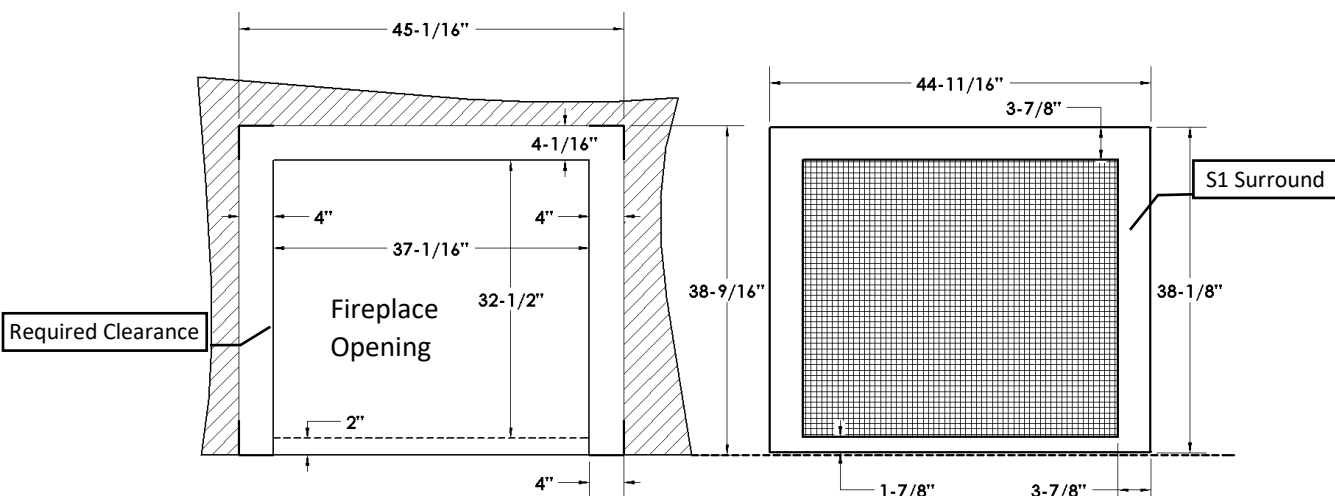
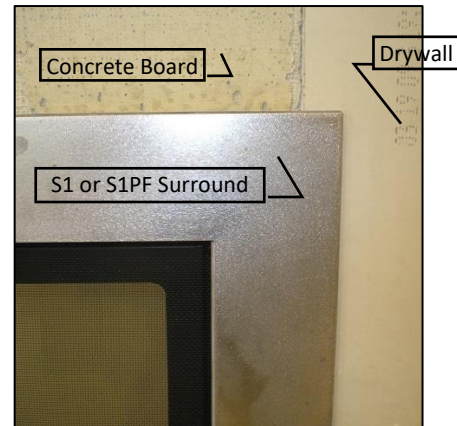
Step 3: Once wall is completely finished, Screen with Surround may be installed. Surround will conceal edges of fireplace.

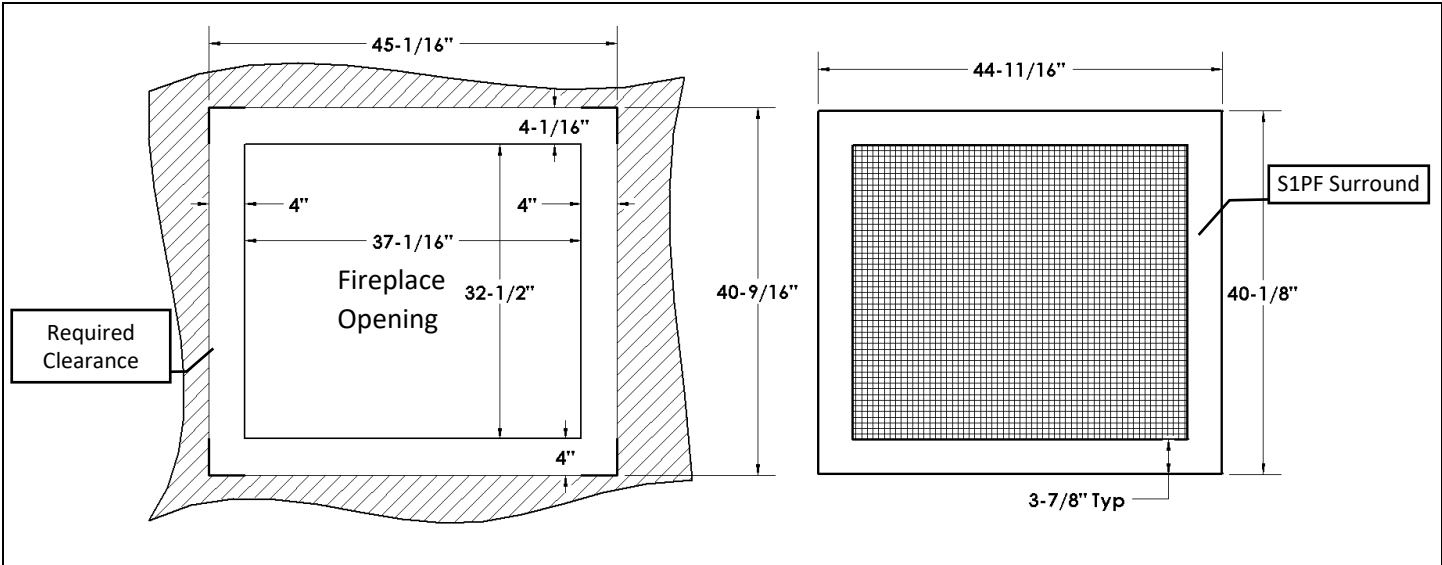


IMPORTANT NOTE! If installing tile, brick, or other material around the perimeter of the surround:

You MUST Leave 4" of the face exposed around the fireplace opening on the Sides, 4" at the Bottom for the S1PF, and S1 must be clear at Bottom. 4-1/16" must be exposed on the top. This is to install and remove the Surround. See drawings below.

A Tile Lip Kit is available. Part Number ZCV-TLK.



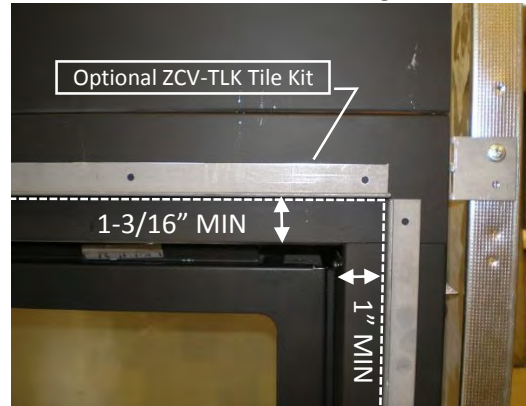


Basic Finishing 3: Concrete Board Behind S2PF Surround (3/4" Maximum Total Thickness)

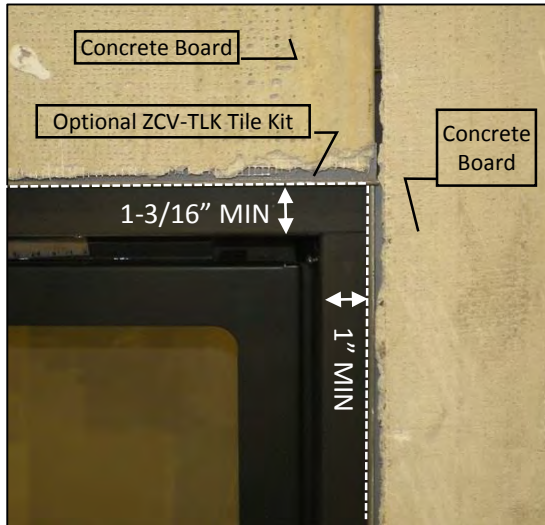
Step One: Frame fireplace with nailing tabs oriented as shown.



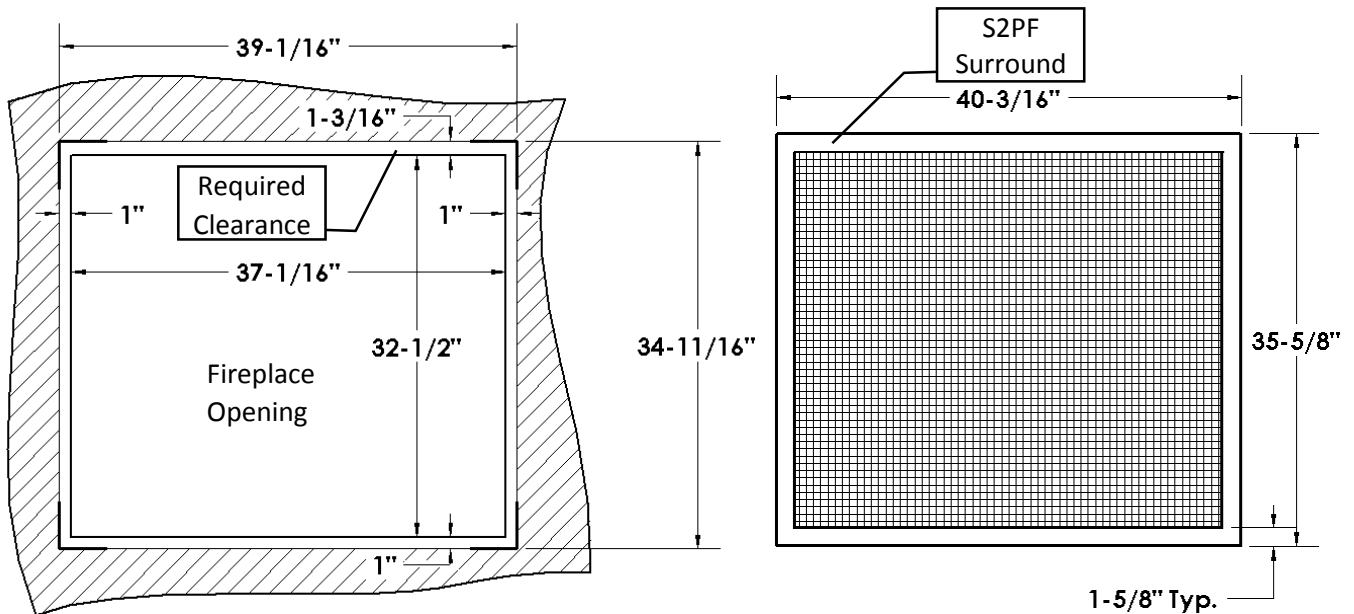
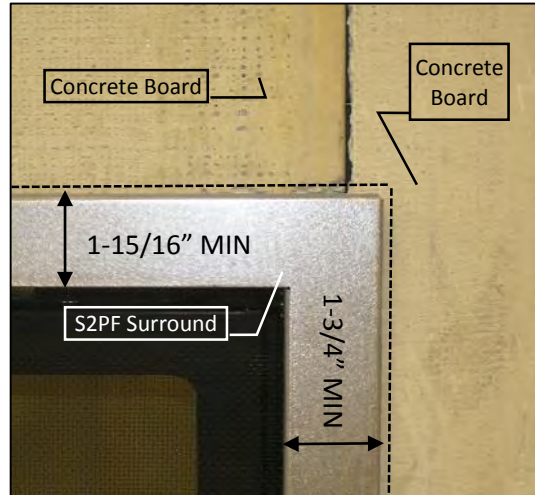
Step Two: Use Concrete Board to cover fireplace face. **NOTE:** Optional ZCV-TLK Tile Kit is available. Maintain clearances shown. See bottom drawings also.



Step 3: Concrete Board with optional Tile Lip shown below.

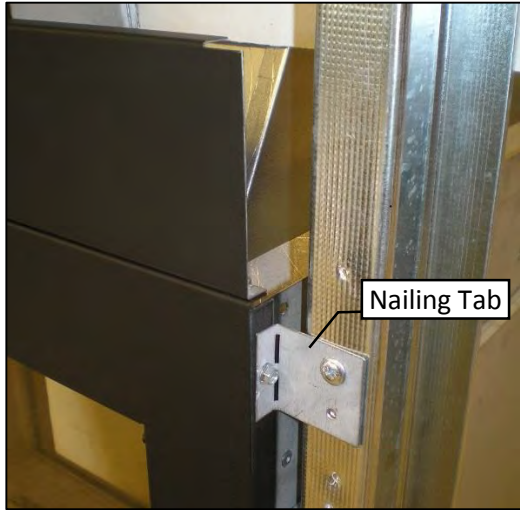


IMPORTANT NOTE!: If installing tile, brick, or other non-combustible material around the perimeter of the S2PF2 Surround, Maintain clearances shown below. Also See Basic Finishing 4.



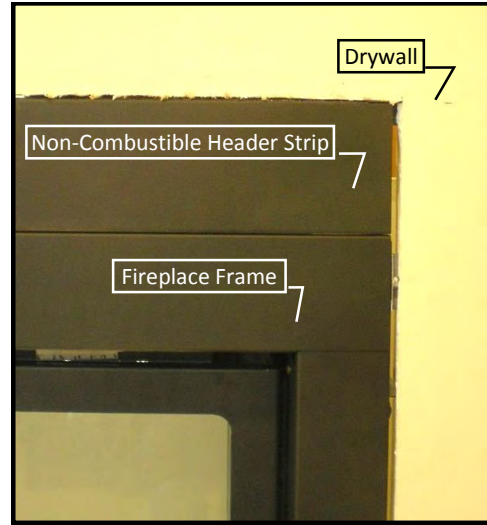
Basic Finishing 4: Stone or Brick Around S2PF Surround

Step One: Frame Fireplace with nailing tabs oriented as shown.

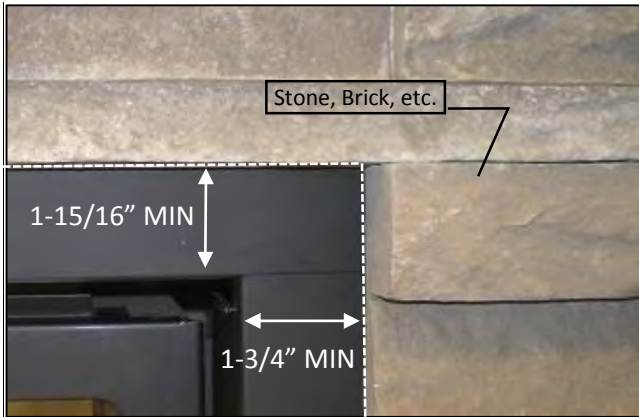


Step Two: Use Non-Combustible Header Strip on top frame of fireplace and Drywall to finish face of wall.

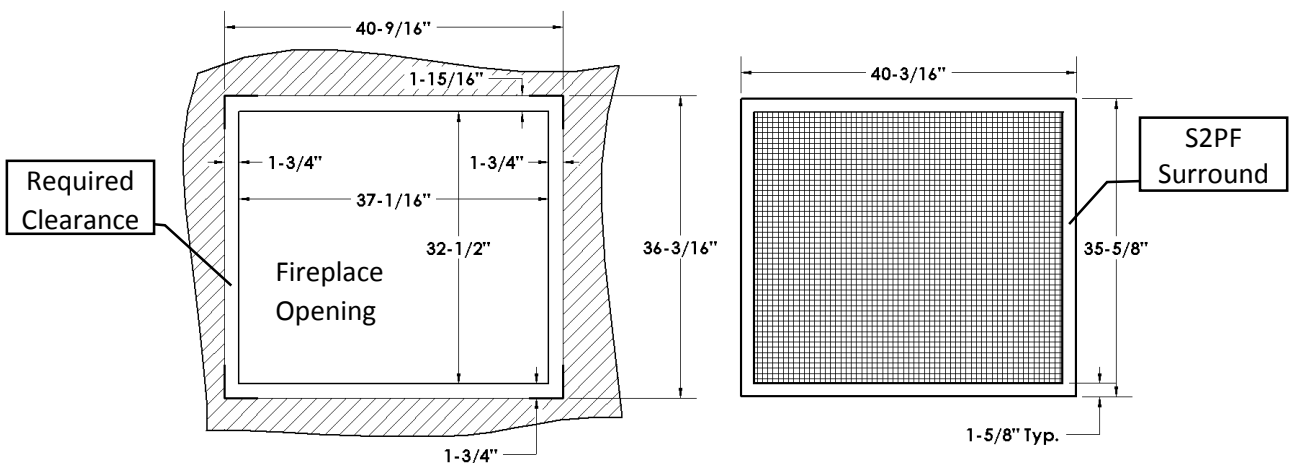
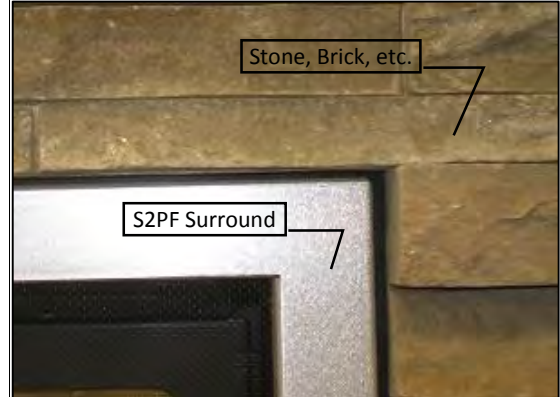
NOTE: Drywall will be flush with fireplace face.



Step 3: A stone, brick, or other non-combustible border may be applied over fireplace face to conceal border.

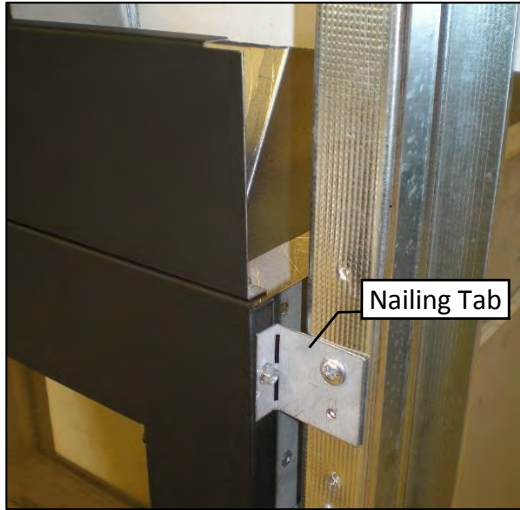


IMPORTANT NOTE! If installing stone, brick, or other non-combustible material around the perimeter of the surround: you **MUST** Leave 1-3/4" of the face exposed around the fireplace opening on the Bottom and Sides, and 1-15/16" exposed on the top. This is to install and remove the surround. See drawings below. **A Tile Lip Kit (ZCV-TLK) is available.**



Basic Finishing 5: Tile Border Behind S2PF Surround (3/4" Maximum Total Thickness)

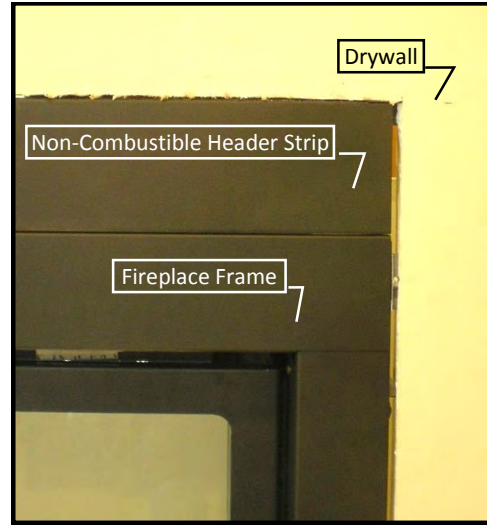
Step One: Frame Fireplace with nailing tabs oriented as shown.



Nailing Tab

Step Two: Use Non-Combustible Header Strip on top frame of fireplace and Drywall to finish face of wall.

NOTE: Drywall will be flush with fireplace face.

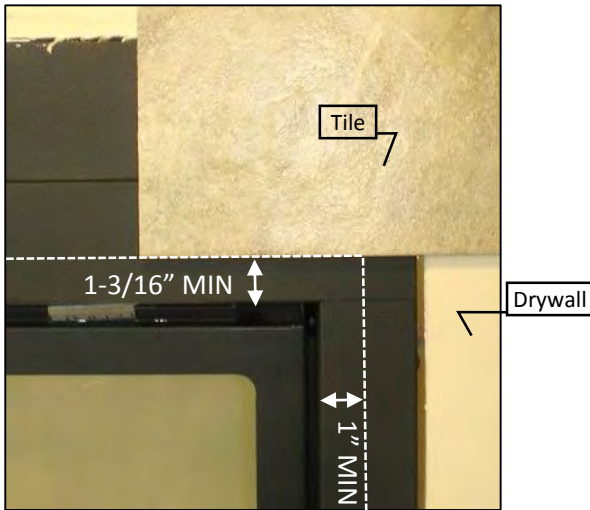


Drywall

Non-Combustible Header Strip

Fireplace Frame

Step 3: A tile, brick, or other non-combustible border may be applied over fireplace face to conceal border.



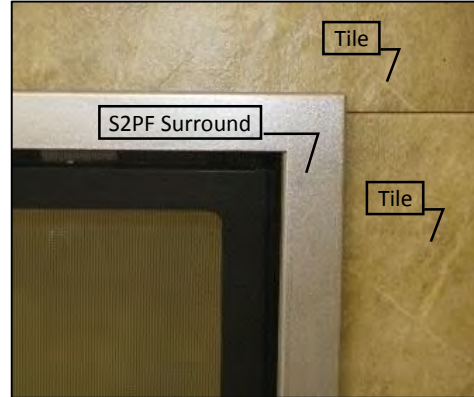
Tile

Drywall

1-3/16" MIN

1" MIN

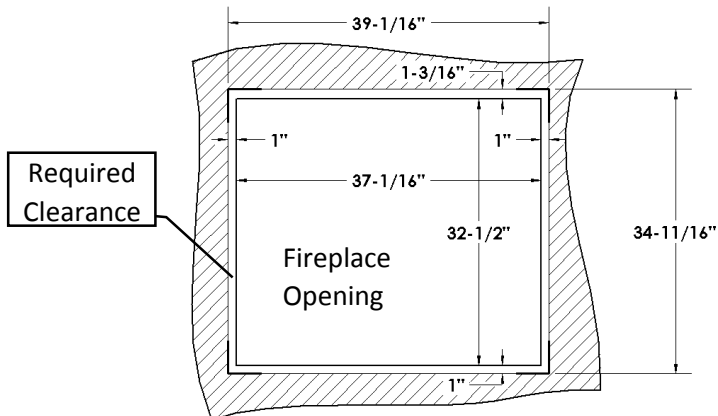
IMPORTANT NOTE! If installing tile, brick, or other non-combustible material around the perimeter of the surround: you MUST Leave 1" of the face exposed around the fireplace opening on the Bottom and Sides, and 1-3/16" exposed on the top. This is to install and remove the surround. See drawings below. **A Tile Lip Kit (ZCV-TLK) is available.**



Tile

S2PF Surround

Tile



Required Clearance

Fireplace Opening

39-1/16"

1-3/16"

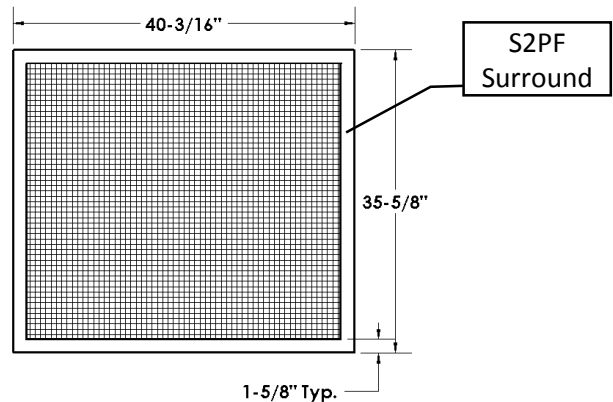
1"

37-1/16"

32-1/2"

34-11/16"

1"



40-3/16"

S2PF Surround

35-5/8"

1-5/8" Typ.

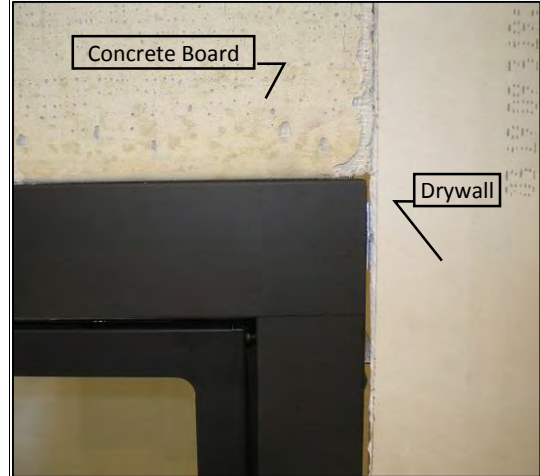
Basic Finishing 6: MCVST42 With MQZCV42DD & Stone, Brick, or Tile Boarder

Step One: Remove Non-Combustible Header Strip. Frame Fireplace with nailing tabs oriented as shown.

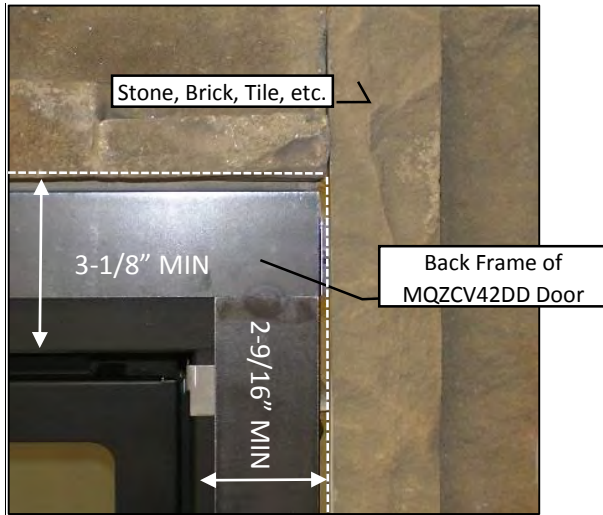


Step Two: Do not use Non-Combustible Header Strip on top frame of fireplace. Use Concrete Board.

NOTE: Wall will be flush with fireplace face.

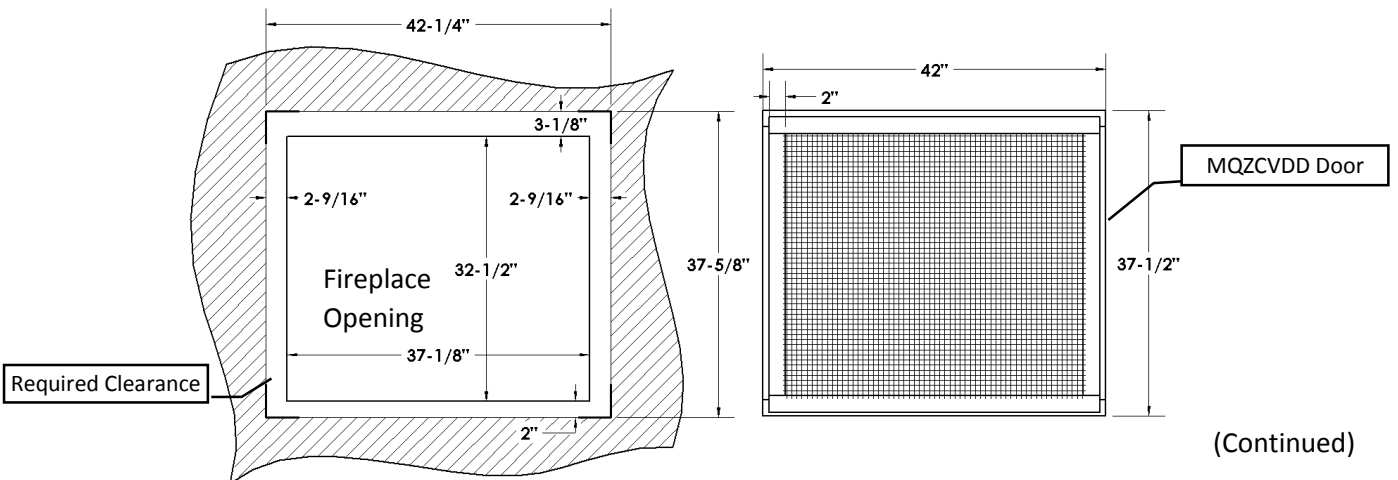
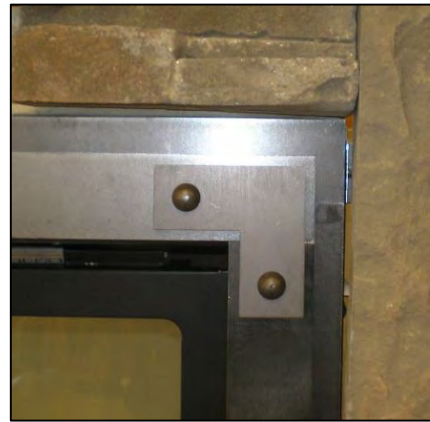


Step 3: A stone, brick, or other non-combustible border may be applied to the wall. Maintain clearances from fireplace opening below.



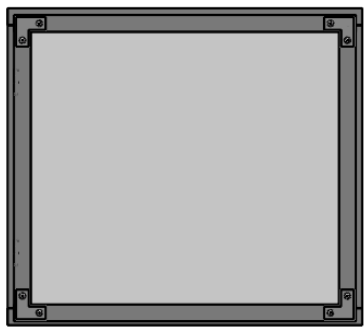
IMPORTANT NOTE! When installing stone, brick, or other material around the perimeter of the surround: You MUST Leave 2-9/16" of the fireplace face exposed around the fireplace opening on the Sides, 2" at the Bottom, and 3-1/8" must be exposed on the top. This is to install and remove the Door Frame. See drawings below.

A Tile Lip Kit (ZCV-TLK) is available.



(Continued)

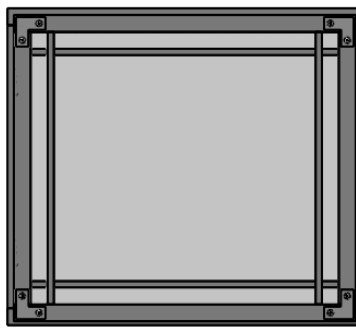
MQ42DD-Doors



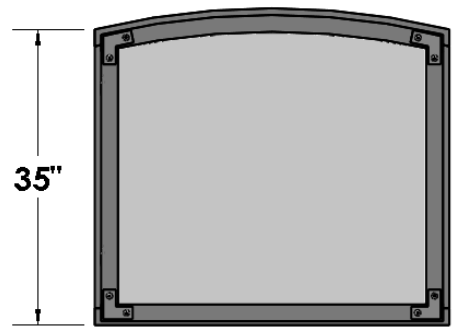
MQ42DD1

42"

37-1/2"



MQ42DD2



MQ42DD3

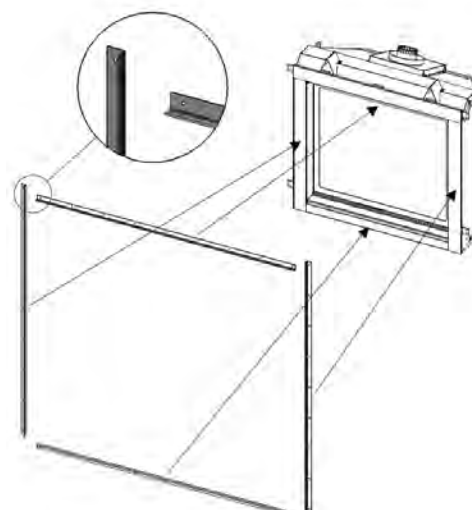
35"



Contents of Kit: Qty. [4] Tile Lip pieces 45-1/16" long, Qty. [12] screws.

Instructions: Refer to the charts below to find your installation choice.
 -Cut [2] tile lip pieces to height of sides, and [2] to length of top & bottom.
 -Install onto face of fireplace so that screwing flange will be beneath facing materials.

NOTE: Pay close attention to minimum clearance from fireplace opening.



ZCV39					
Fireplace Facing Choice	Height of Side Pieces	Side Clearance from Opening	Length of Top & Bottom Pieces	Top Clearance from Opening	Bottom Clearance from Opening
Screen Only	31-9/16"	1"	35"	1-3/16"	1"
ZCV39S2PF Surround -with 1/2" thick facing material behind	31-9/16"	1"	35"	1-3/16"	1"
ZCV39S2PF Surround -Facing Materials Up to Edge of Surround	33-1/16"	1-3/4"	36-1/2"	1-15/16"	1-3/4"
ZCV39S1 Hearth Mount Surround	35-7/16"	4"	41" (Top Only Required)	4-1/16"	No Bottom piece required
ZCV39S1PF 4" Picture Frame Surround	37-7/16"	4"	41"	4-1/16"	4"
ZCV39DD Designer Door	34-1/2"	2-5/8"	38-1/4"	3-1/8"	2" (No Bottom piece required if installed at hearth level)
ZCV42 / MCVST42					
Fireplace Facing Choice	Height of Side Pieces	Side Clearance from Opening	Length of Top & Bottom Pieces	Top Clearance from Opening	Bottom Clearance from Opening
Screen Only	34-11/16"	1"	39-1/16"	1-3/16"	1"
ZCV42S2PF Surround -with 1/2" thick facing material behind	34-11/16"	1"	39-1/16"	1-3/16"	1"
ZCV42S2PF Surround -Facing Materials Up to Edge of Surround	36-3/16"	1-3/4"	40-9/16"	1-15/16"	1-3/4"
ZCV42S1 Hearth Mount Surround	38-9/16"	4"	45-1/16" (Top Only Required)	4-1/16"	No Bottom piece required
ZCV42S1PF 4" Picture Frame Surround	40-9/16"	4"	45-1/16"	4-1/16"	4"
ZCV42DD Designer Door	37-5/8"	2-9/16"	42-1/4"	3-1/8"	2" (No Bottom piece required if installed at hearth level)

MCVST42

Mantel Clearances

Before installing any mantels it is important to determine the combustibility of its material(s). There are two types of mantels to consider: Combustible and Non-Combustible.

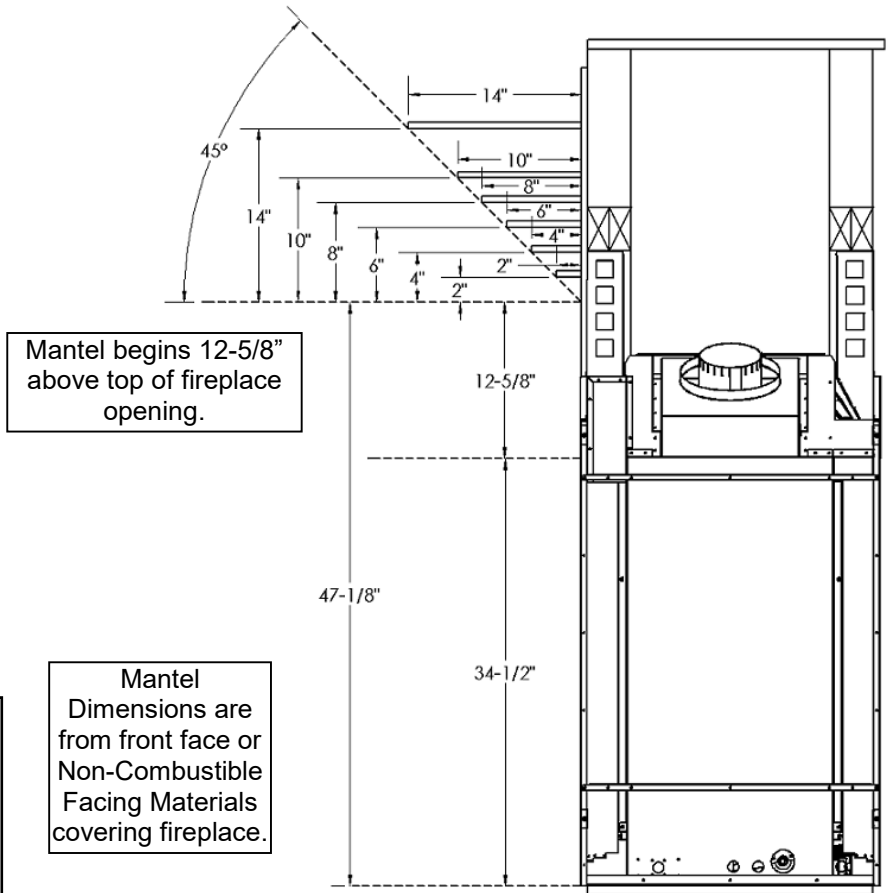
A **Combustible Mantel** is one that consists of material(s) that may discolor, combust, or lose its integrity in the presence of heat. These types of mantels must strictly conform to the dimensional requirements shown.

Conversely, a **Non-Combustible Mantel** is one that is constructed with material(s) that will not combust. Check your local codes and regulations to determine whether your mantel is combustible or Non-Combustible.

The advantage of a Non-Combustible Mantel is that it can begin at the top of the fireplace opening.

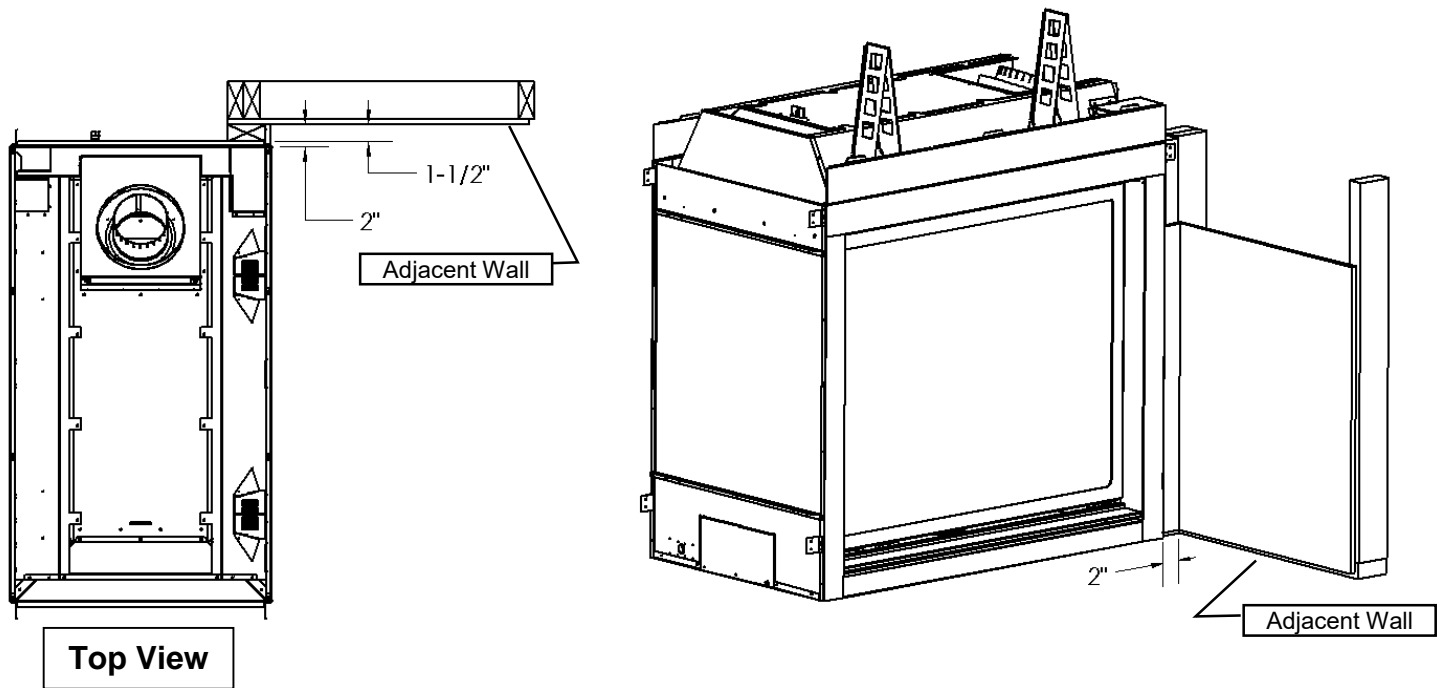
Combustible mantels must adhere to the dimensional restrictions shown.

⚠️-Combustible Objects on Non-Combustible Mantel Warning-
Combustible objects must not be placed on a Non-combustible Mantel unless the mantel meets the dimensional requirements for a Combustible Mantel. Determine whether your mantel conforms to the requirements of a Combustible Mantel.



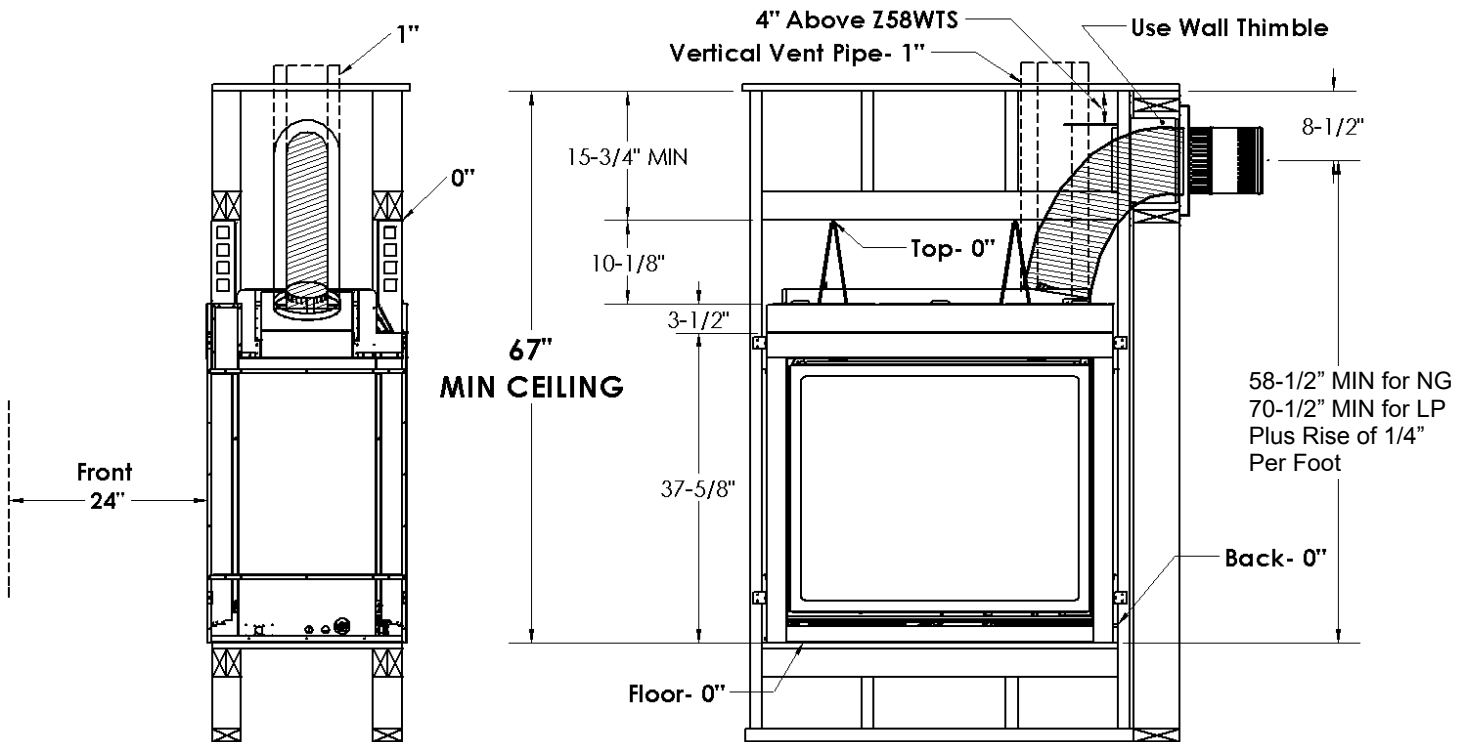
Mantel Leg Clearances

Adjacent Wall must be 1-1/2" from standoff (2" from edge of front face frame).



MCVST42 Clearance to Combustibles

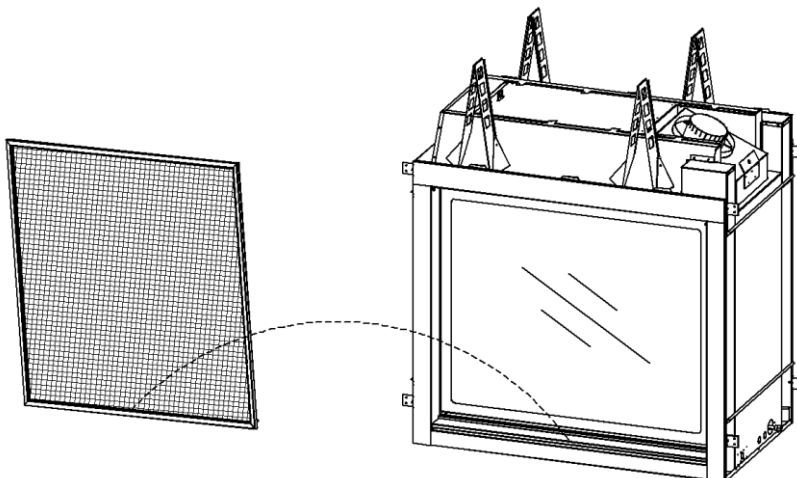
Clearance to Combustibles MCVST42	
Front	24"
Back (from Stand-offs)	0"
Floor*	0"
*Note: If appliance is installed directly on carpeting or other combustible material other than wood flooring, a metal or wood panel extending the full width and depth of the appliance must be used. Carpet may extend 1 inch above the floor of the appliance.	
Minimum Ceiling Height (from bottom of fireplace)	67"
Top (from Stand-offs)	0"
Top of 90° Bend in minimum Enclosure of 67"-73" Z58WTS Required	4" above Z58WTS
Top of 90° Bend in Enclosure over 73" (Z58WTS not required)	4"
VENTING SYSTEMS	
Top of Horizontal Pipe	1/12"
Side & Bottom of Horizontal Pipe	1" All Vent Systems
Vertical Vent Pipe	1" All Vent Systems



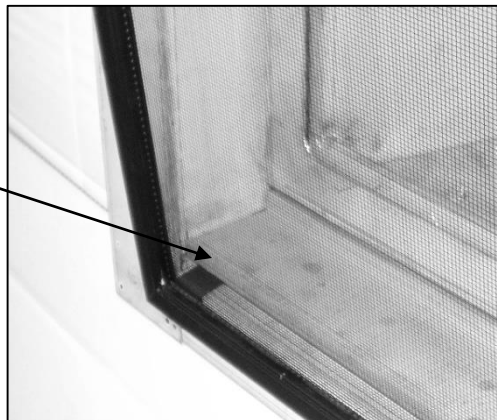
Contents of Kit:
 [2] Child Safety Screens- Ready to Install

Assembly Instructions:
 Attach screen to fireplace as per instructions below.

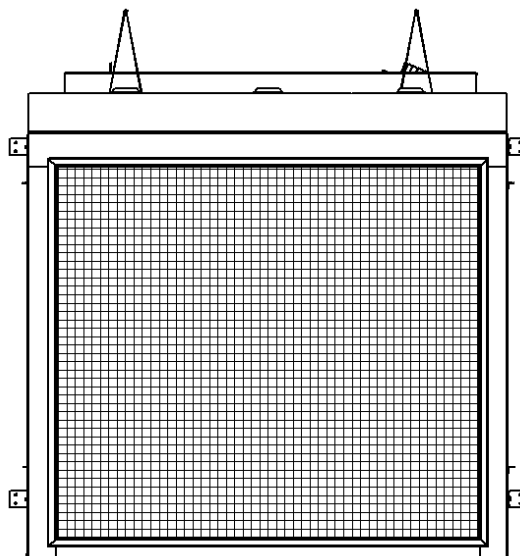
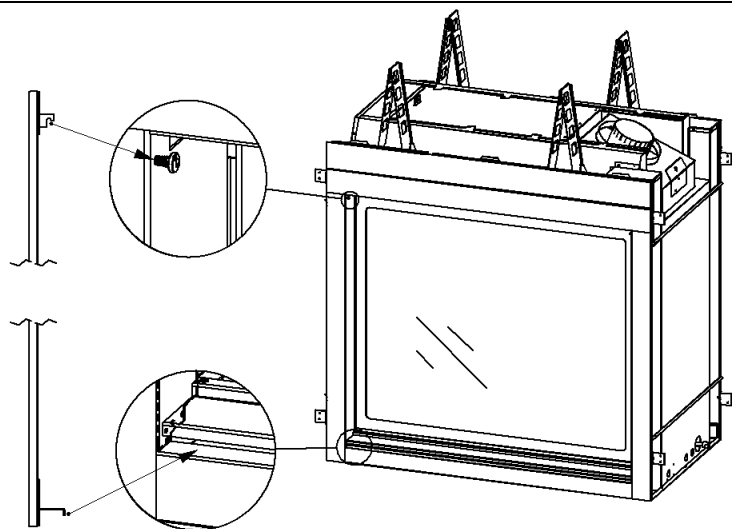
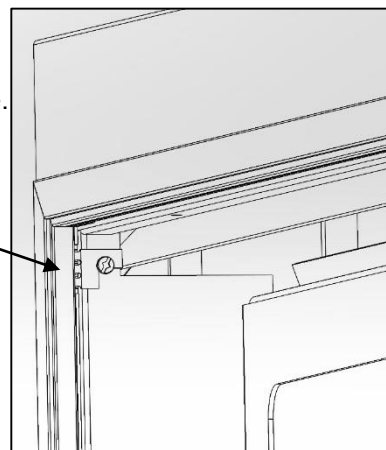
⚠WARNING:
 Wait until unit is **COMPLETELY** cool before touching glass or attempting to install or remove Child Safety Screen.



Place hook at bottom of screen onto frame of fireplace below Access Panel.



Push top of screen up against fireplace and hook onto screws in side frame. Push down on screen to lock in place.



Screen is locked in place.

To remove Safety Screen, **WAIT UNTIL FIREPLACE IS COMPLETELY COOL.** Push up at center of Screen Frame and pull bottom away from fireplace.

ZCV39 / ZCV42 / MCVST42 Surround Installations

Each Kit contains surround and [8] DT screws.

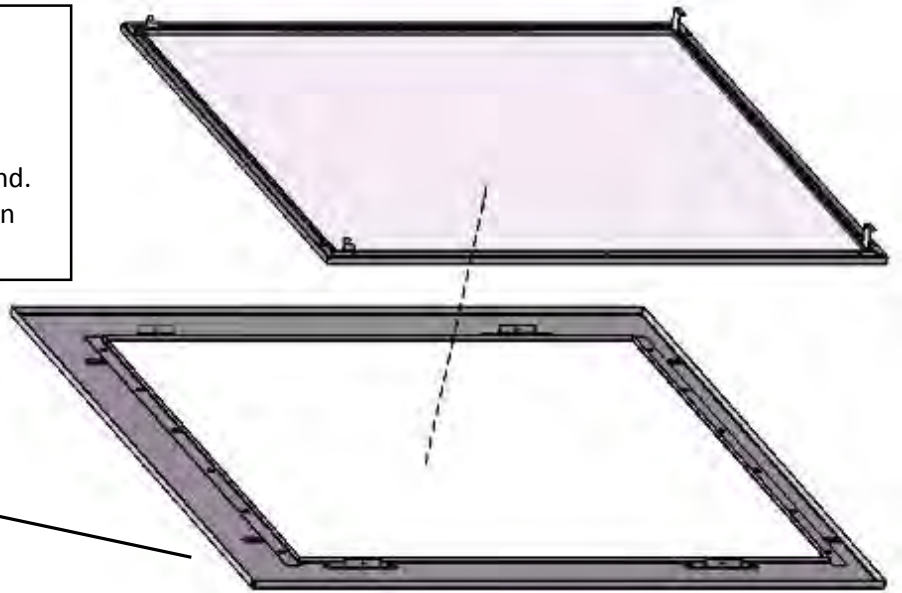
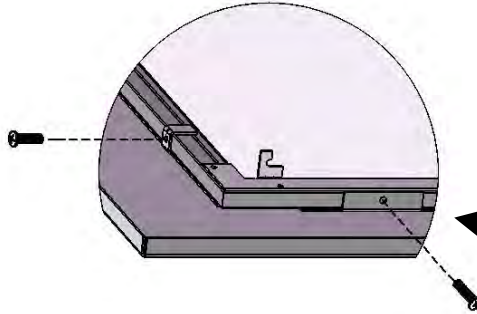
NOTE: ZCV39CSS or ZCV42CSS Safety Screen is required to use these surrounds.

- All surrounds are mounted onto Screen as described below. Screen and surround are then mounted on unit as described in **Child Safety Screen Installation** section.
- Surrounds require a 5/16" space on top to allow for installation & removal.
- If protruding facing materials (i.e., concrete board, brick or tile) are to be used, refer to **Facing Material Dimension Requirements** section.
- A Tile Lip Kit is available: ZCV-TLK. Follow instructions included with kit to use.

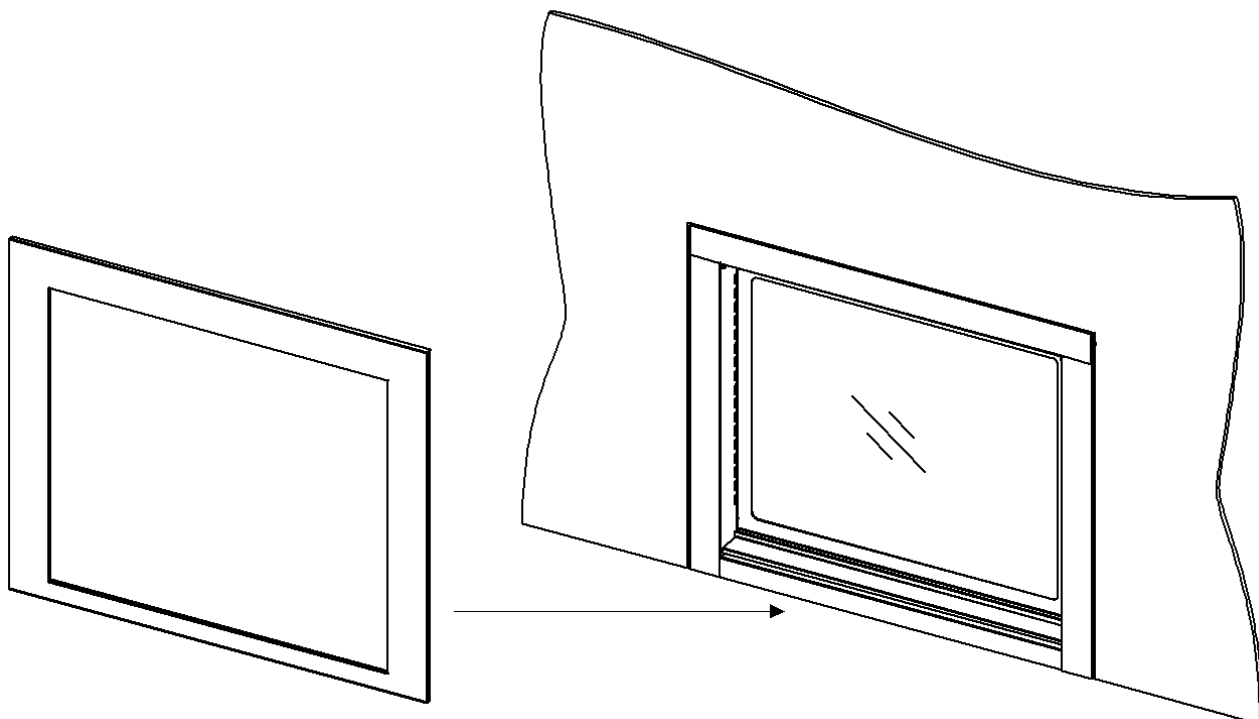
ZCV39S1 / ZCV39S1PF / ZCV39S2PF / ZCV42S1 / ZCV42S1PF / ZCV42S2PF

To Attach Surround to Screen:

1. Place surround face down on protected surface.
2. Lay Screen onto back side of surround.
3. Fold up tabs on top & bottom of surround.
4. Drive screws into screen through holes in top & sides as shown.



Install Screen with Surround attached as described in in *Child Safety Screen Installation* section.



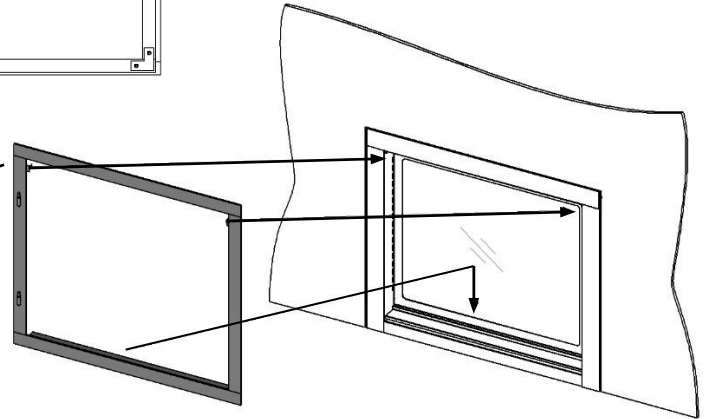
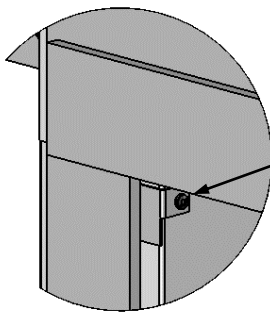
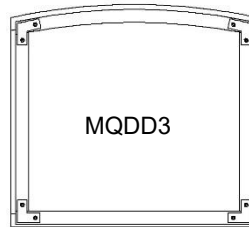
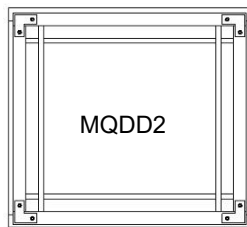
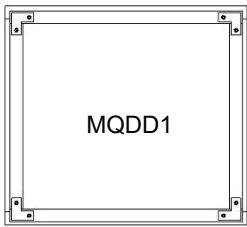
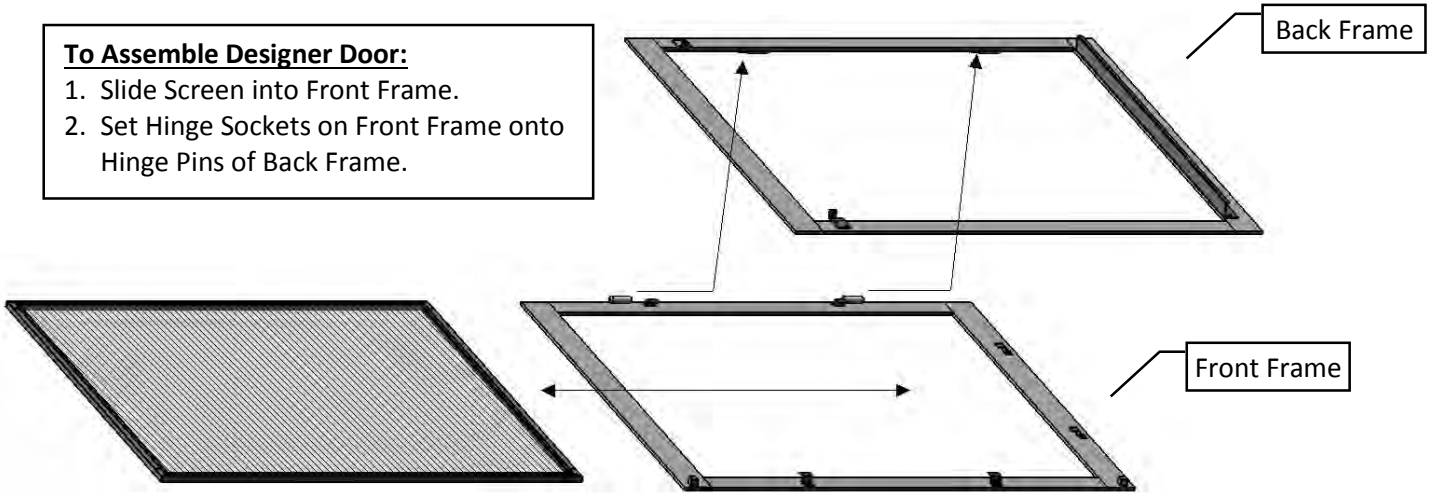
MQZCV39DD / MQZCV42DD Designer Door Installations

Each Kit contains: **Back Frame, Front Frame, and Screen.**

- If protruding facing materials (i.e., concrete board, brick or tile) are to be used, refer to **Facing Material Dimension Requirements** section.
- Designer Doors require a minimum 1/8" space on top and sides to allow for installation & removal.
- An optional Tile Lip Kit is available: ZCV-TLK. Follow instructions included with kit to use.
- Back frame can be installed and used as tile lip also.

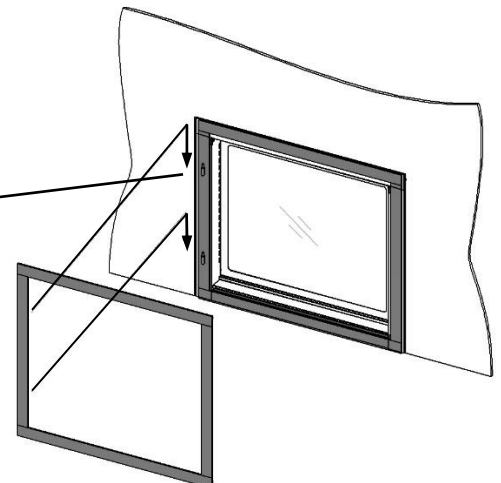
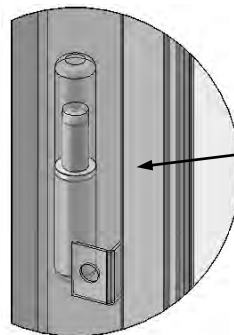
To Assemble Designer Door:

1. Slide Screen into Front Frame.
2. Set Hinge Sockets on Front Frame onto Hinge Pins of Back Frame.



To Install Designer Door:

1. Remove Front Frame from Back Frame.
2. Set Back Frame onto Lower Ledge of fireplace below Access Panel.
3. Use Screws in top corners of fireplace frame sides to attach Back Frame to fireplace.
4. Insert Screen into Front Frame.
5. Set Hinge Sockets on Front Frame onto Hinge Pins of Back Frame.



⚠ WARNING: Failure to position the parts in accordance with these diagrams or failure to use only parts specifically approved with this appliance may result in property damage or personal injury.

Instructions: (NOTE: Porcelain Liners should be installed BEFORE Log Grates or Glass Tray.)

Step One: Remove Main Burner (refer to **Burner Removal** section). If Log Grates or Glass Tray are installed, they must be removed also.

Step Two: Bend retainer clips away from firebox wall (See below).

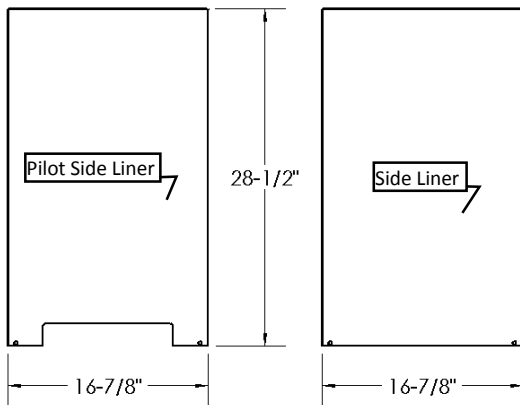
Step Three: Tilt and slide Liners against each wall of firebox. Use caution when moving liner over pilot area.

Step Four: Bend retainer clips back to secure liner. Procedure is the same for both sides of fireplace.

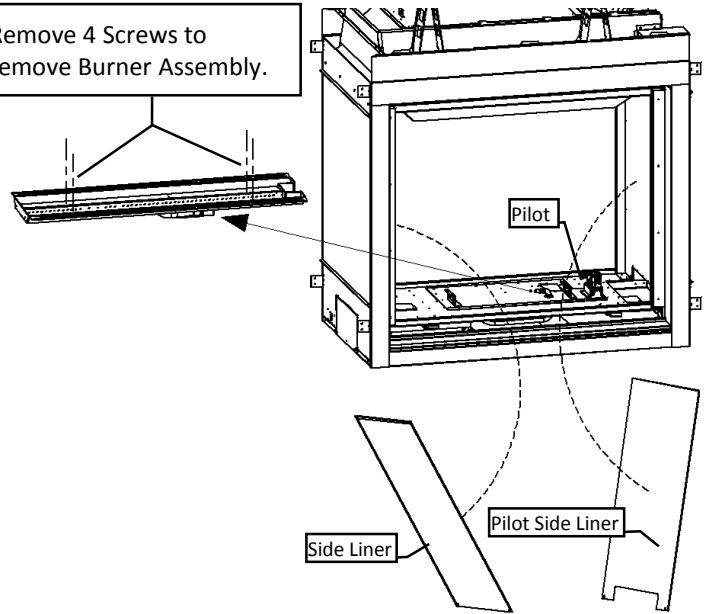
Step Five: Reinstall all components.

MST42PL Consists of:

- [1] –Pilot Side Liner
- [1] – Side Liner

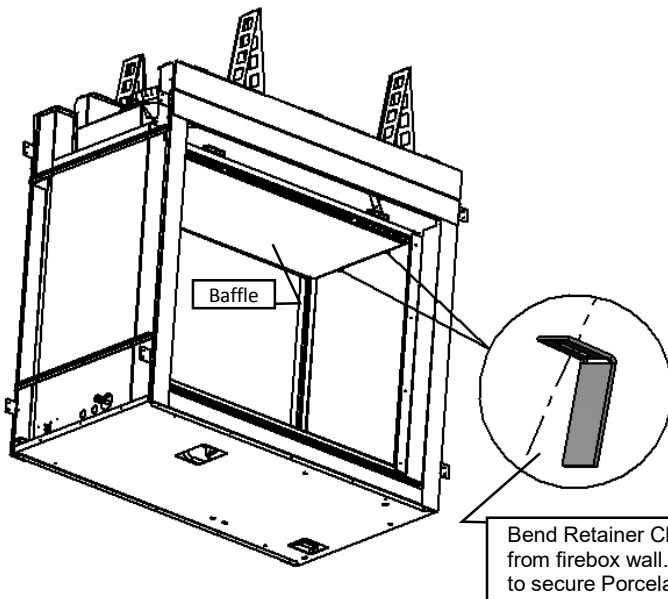


Remove 4 Screws to remove Burner Assembly.



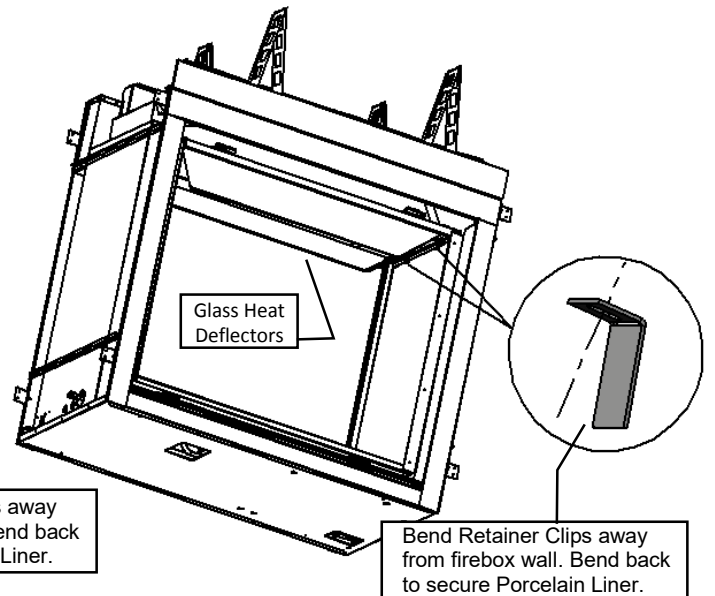
Heater Rated Unit

Do not remove Baffle to install Porcelain Liners.



Decorative Unit

Do not remove Glass Heat Deflectors to install Porcelain Liners.



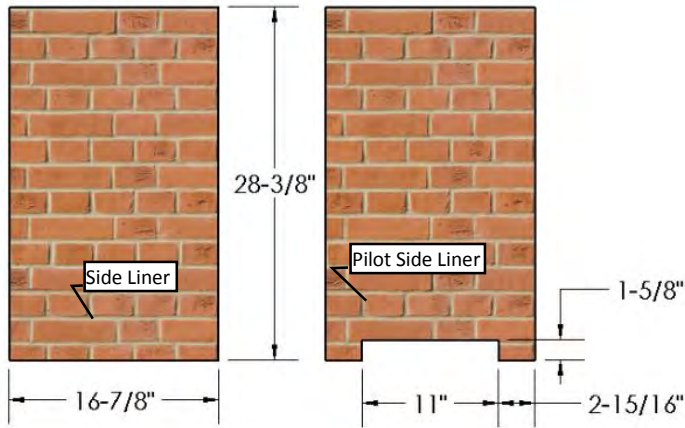
⚠ Note: Warping and Discoloration of Porcelain or Painted Metal Liners Is Not Covered Under Warranty.

Both Porcelain and Painted Metal Liners may discolor and warp during normal operation of your appliance. This is normal, and not considered a defect.

MST42RL -Brick Liner Installation- When using M42LG Log Grates

NOT FOR USE WITH MST42GT.

MST42RL Consists of:
[2] – Brick Liners



NOTE: Brick Liners must be installed **BEFORE** M42LG is installed.

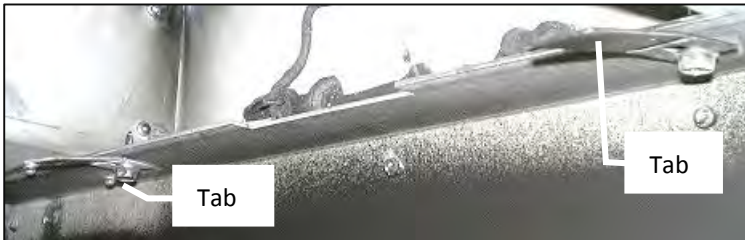
NOTE: Either Baffle (Heater Rated Units) or Deflectors (Decorative Units) must be removed. Refer to *Baffle Removal / Deflector Removal* sections of manual.

⚠ WARNING: Failure to position the parts in accordance with these diagrams or failure to use only parts specifically approved with this appliance may result in property damage or personal injury.

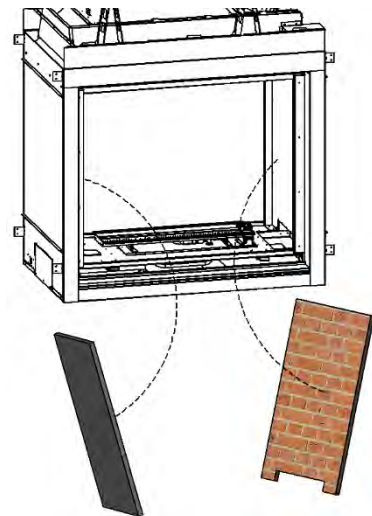
1. Remove Baffle (Heater Rated Units) or Deflectors (Decorative Units).

Refer to *Baffle Removal / Deflector Removal* sections of manual.

2. Orient tabs in upper firebox as shown.



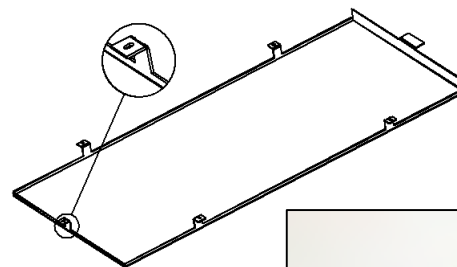
3. Insert Liners into Firebox.



4. Bend Tabs down over Brick Liners.



5. **Heater Rated Units ONLY:** Remove Mount Tab from end of Baffle.



6. Reinstall all Components.



ZCV42MCVST

Baffle Removal (Heater Rated Units)

To Remove Baffle:

Remove [5] DT Screws holding Baffle in place.

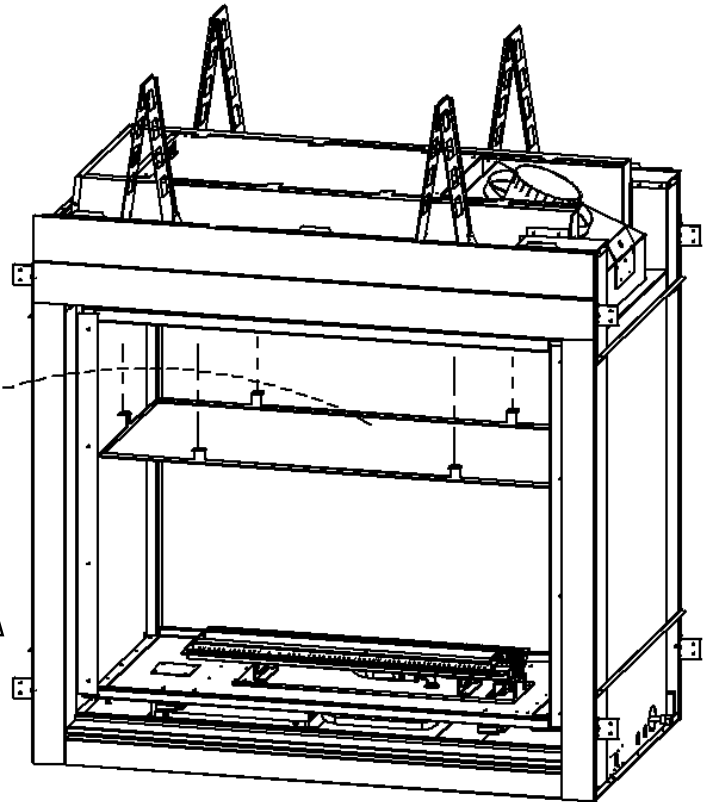
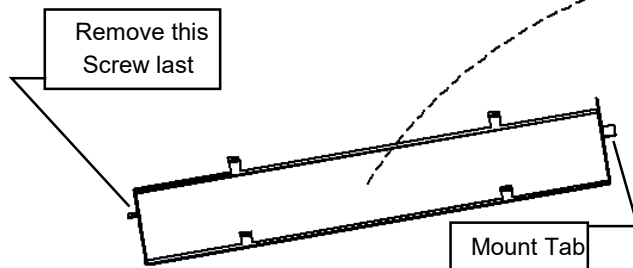
NOTE: Remove end screw last. See below.

To Replace Baffle:

Hook Mount Tab onto ledge at top of firebox.

Replace end screw first.

Replace [4] remaining screws.



ZCV42MCVST

Deflector Removal (Decorative Units)

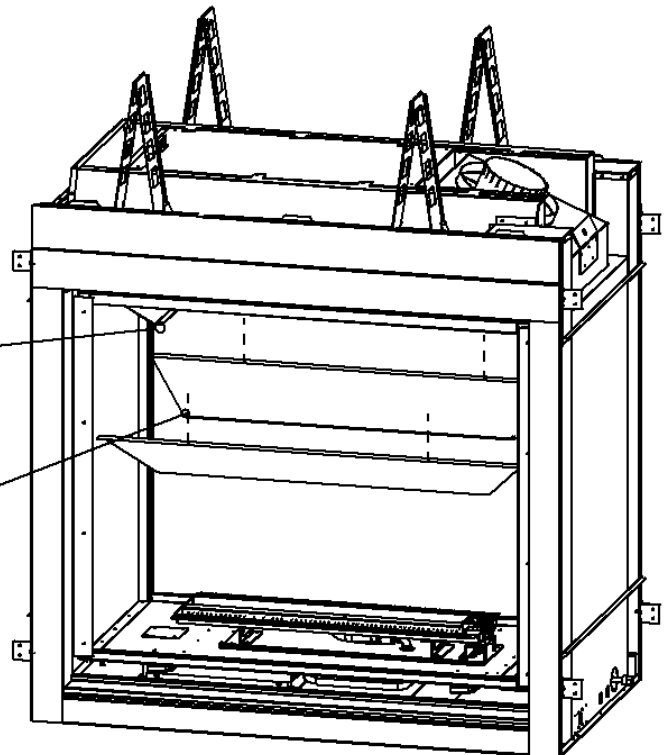
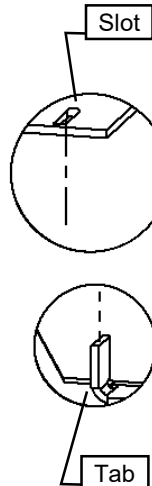
To Remove Deflectors:

Remove [2] DT Screws holding each Deflector in place.

To Replace Deflectors:

Replace [2] DT Screws holding each Deflector in place.

Ensure that Tab engages With Slot on small Deflector Inside unit.



MST42-GT Installation / Removal 42MCVST

NOT FOR USE WITH MST42RL.

Contents of Kit: 1 Glass Tray

Instructions:

To Install: Place Glass Tray into firebox as shown.

To Remove: Lift Glass Tray from one edge and carefully remove.

Use caution around pilot area.

NOTE

- Pilot Area Must **Not** Be Covered, as delayed ignition can occur.

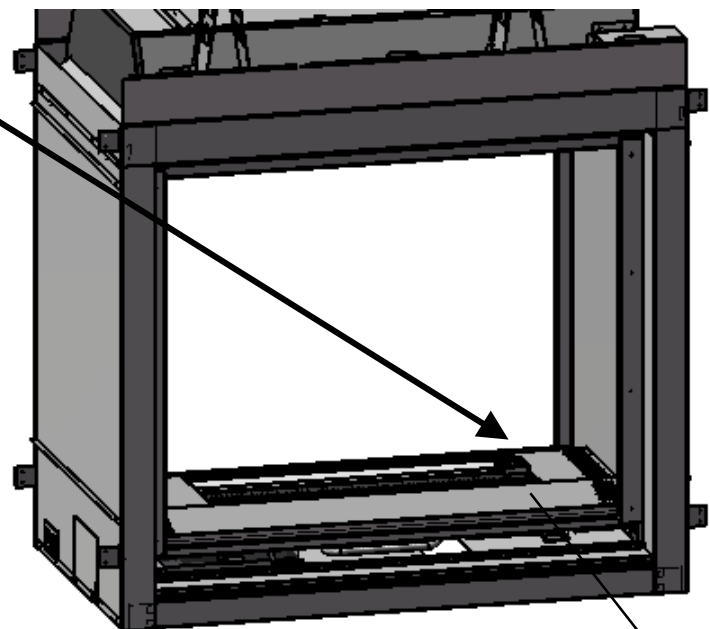
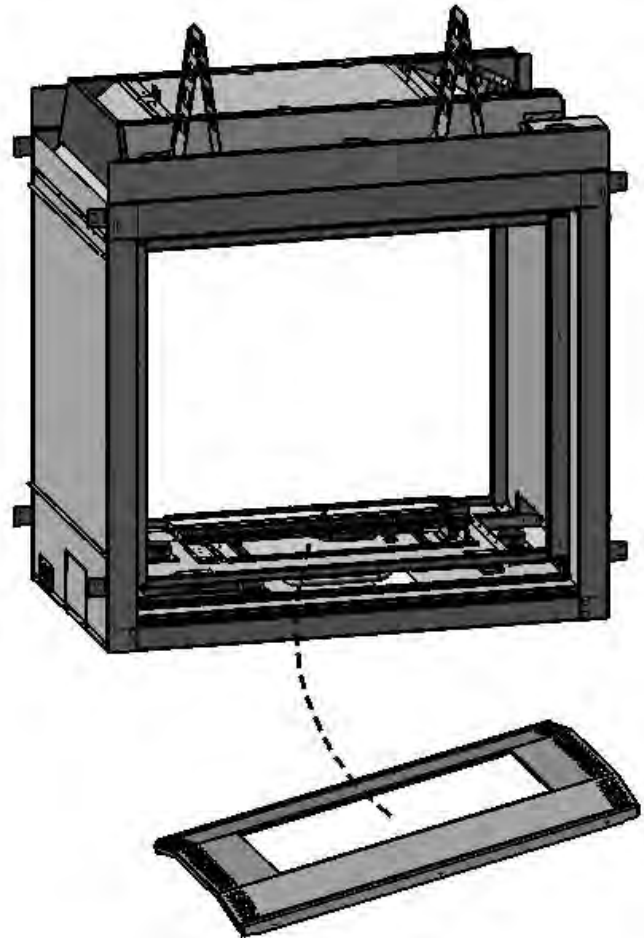
Pilot Shield should be visually inspected monthly for signs of deterioration due to flame exposure. Replace if necessary.



The following items can be used with the Glass Tray:

- ULK3 Light Kit
- MQLOG1
- MQLOG2
- M42LOG3
- RBCB1 Cannonballs
- VLBIT4 or VLBIT6
- Decorative Glass
- MQSTONE
- MQROCK2 or MQROCK3
- MQEMBER

Refer to appropriate section in manual for these items.

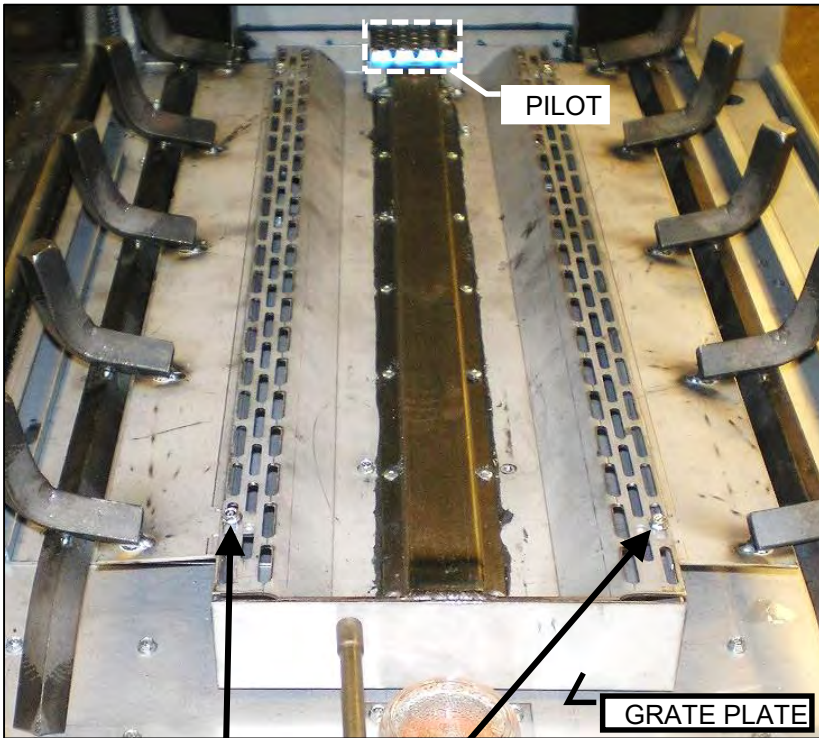


Pilot Area Must **Not** Be Covered



Contents of Kit:

1. [2] Log Grates
2. [2] Large Bags 3/4" Lava Rock
3. [3] 350 Embers
4. [1] Vermiculite
5. [1] Insulation Wool
6. [1] Grate Plate
7. [6] DT Screws



Instructions:

To Install:

1. Place Grate Assemblies into firebox.
2. Slide Grate Assemblies under slotted area of burner tray.
3. Secure with screws.
4. Secure Grate Plate to end of burner tray with screws.

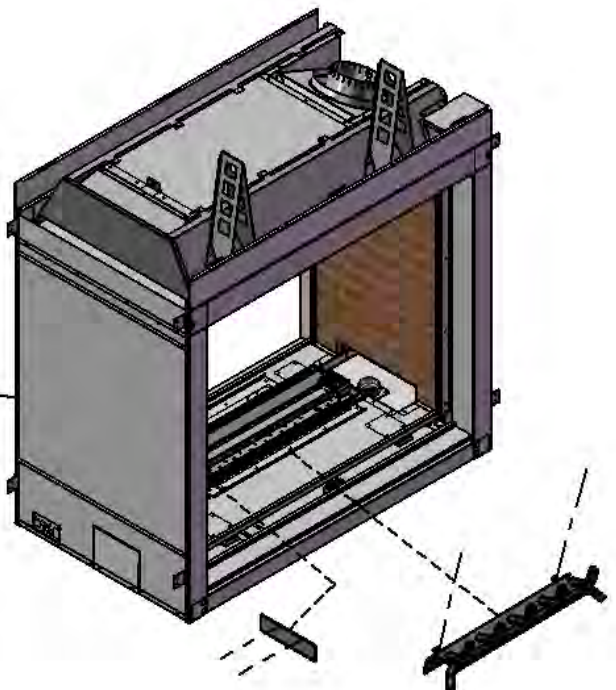
To Remove:

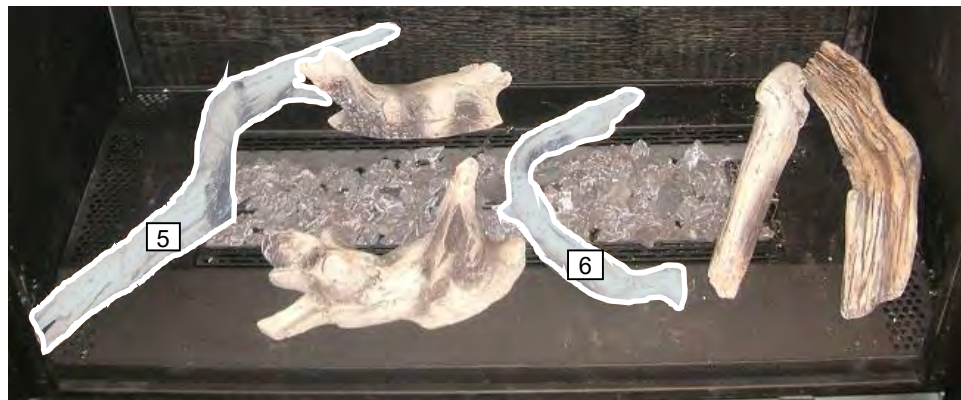
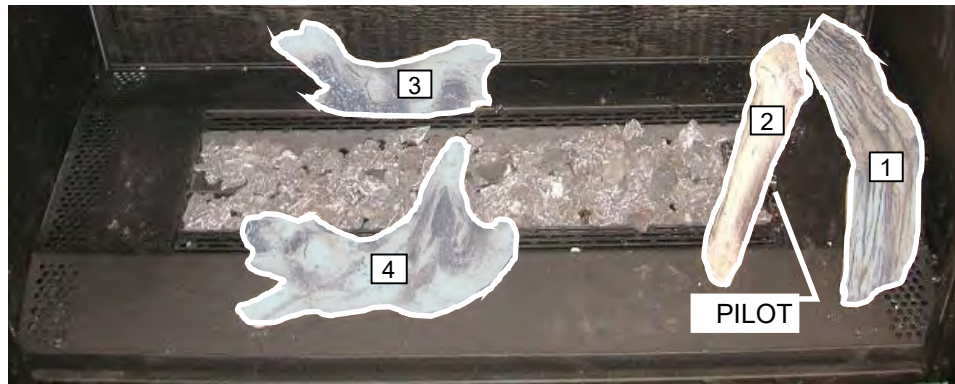
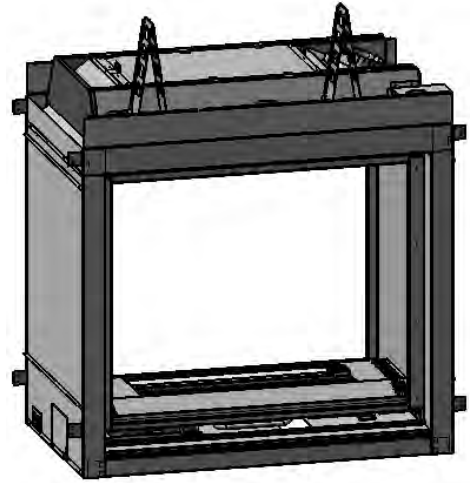
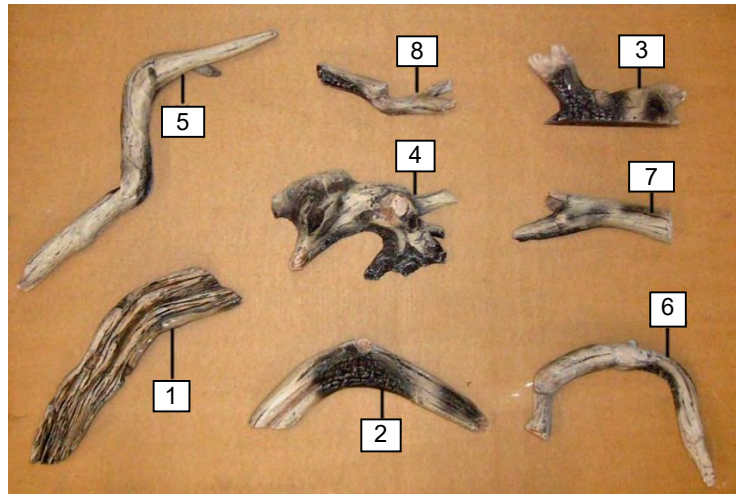
1. Remove screws holding Grate Assemblies in place.
2. Remove screws holding Grate Plate in place.
3. Remove from firebox.



Use supplied media with:

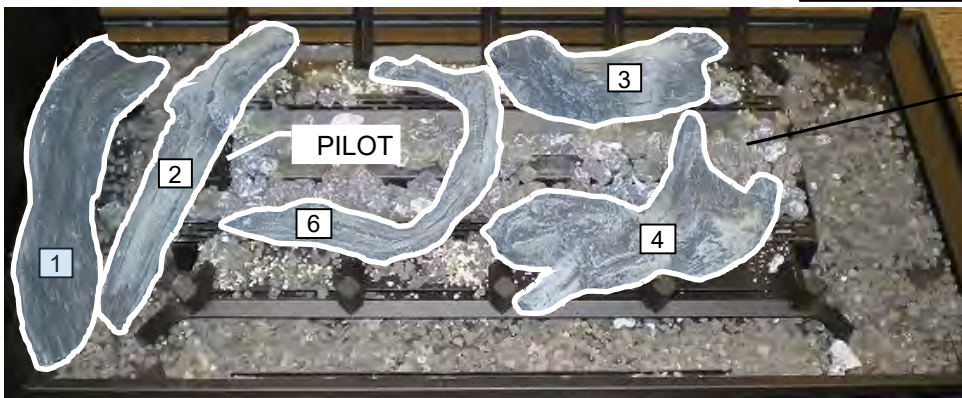
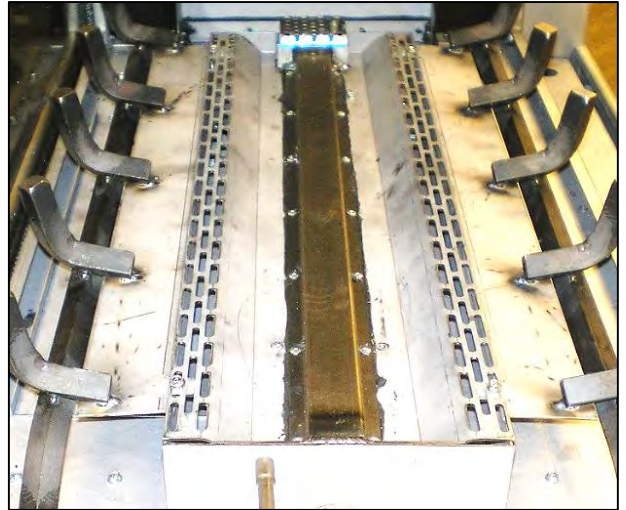
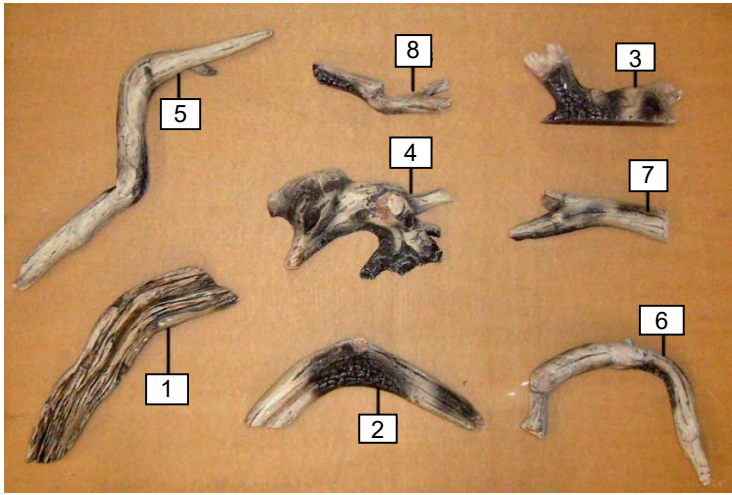
- MQLOG1
- MQLOG2
- M42LOG4





⚠ WARNING:

Failure to position the parts in accordance with these diagrams or failure to use only parts specifically approved with this appliance may result in property damage or personal injury.



Place 350 Embers from M42LG in Burner Tray



Place Insulation Wool from M42LG in Burner Tray

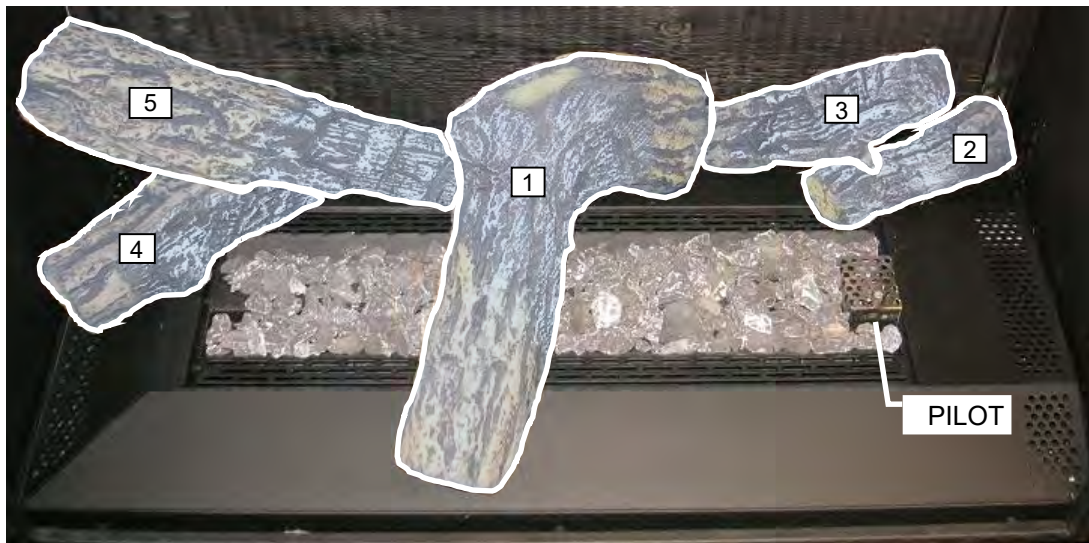
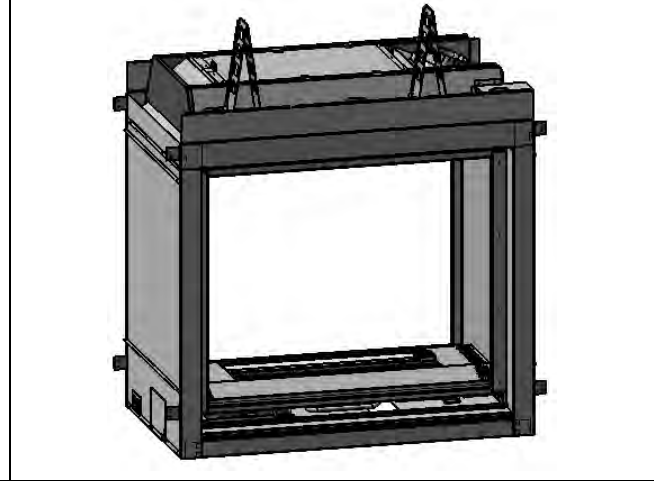
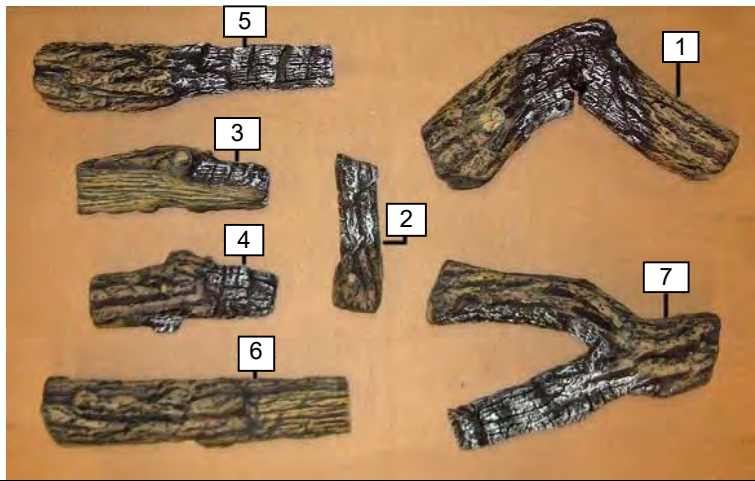


Place Lava Rock from M42LG on Grates and Firebox Bottom

Place Vermiculite from M42LG on Grates and Firebox Bottom

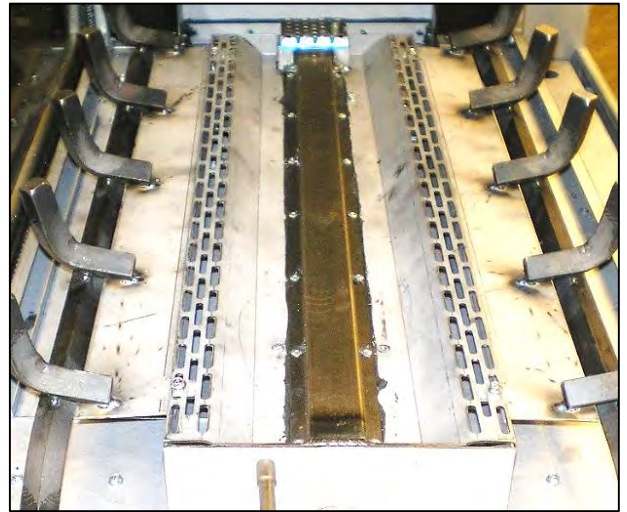
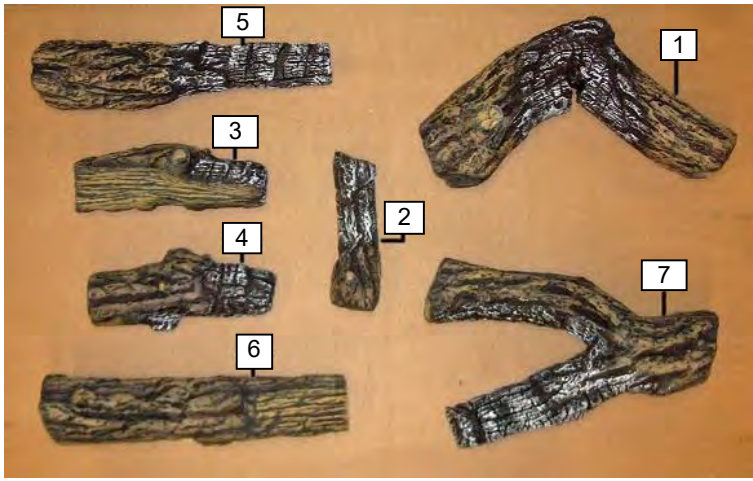
⚠ WARNING: Failure to position the parts in accordance with these diagrams or failure to use only parts specifically approved with this appliance may result in property damage or personal injury.

MQ42LOG2 7 Piece Oak Log Set - For use with GT Glass Tray



⚠ WARNING: Failure to position the parts in accordance with these diagrams or failure to use only parts specifically approved with this appliance may result in property damage or personal injury.

MQ42LOG2 7 Piece Oak Log Set - For use with M42LG Log Grate



Place 350 Embers from M42LG in Burner Tray

Place Insulation Wool from M42LG in Burner Tray

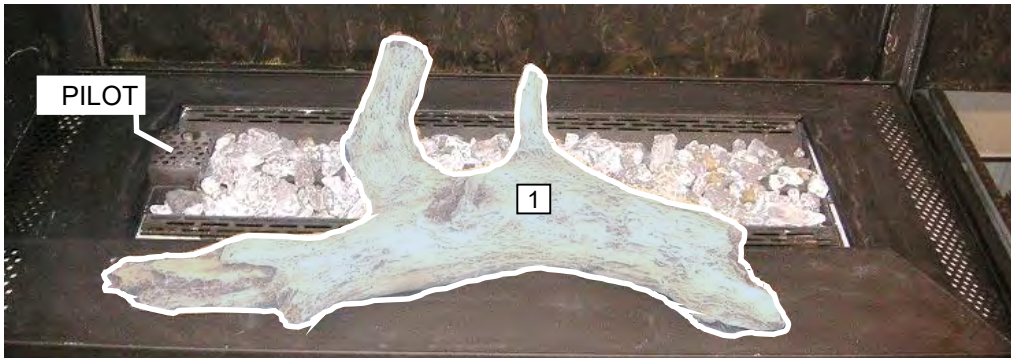
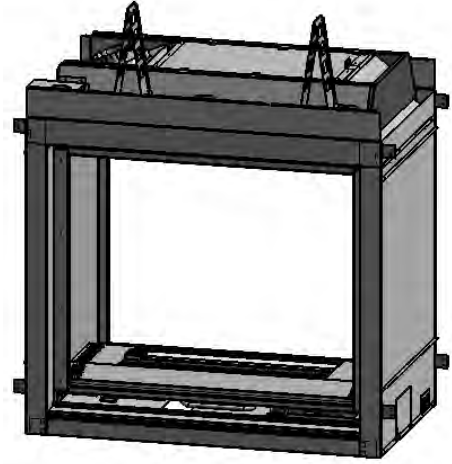
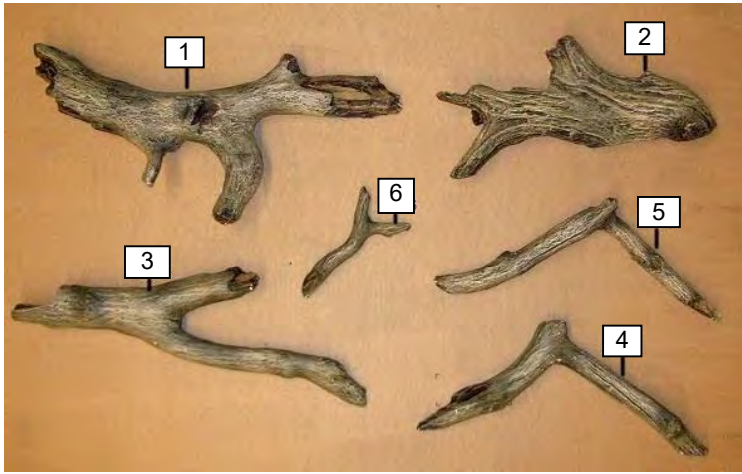


Place Lava Rock from M42LG on Grates and Firebox Bottom

Place Vermiculite from M42LG on Grates and Firebox Bottom

⚠ WARNING: Failure to position the parts in accordance with these diagrams or failure to use only parts specifically approved with this appliance may result in property damage or personal injury.

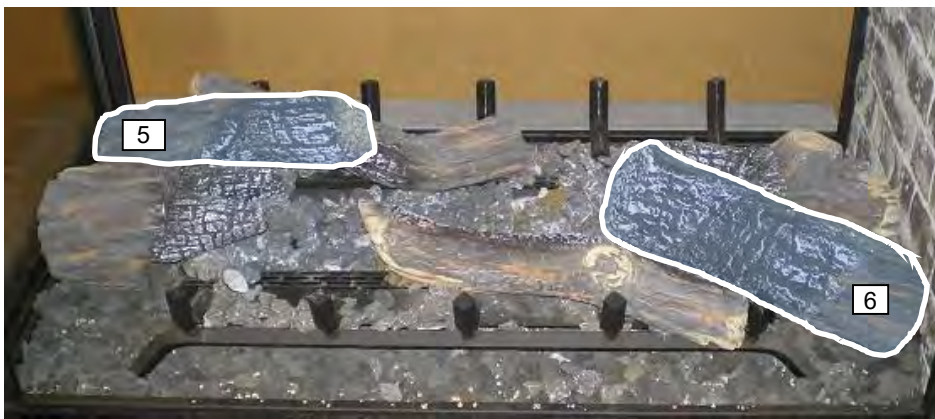
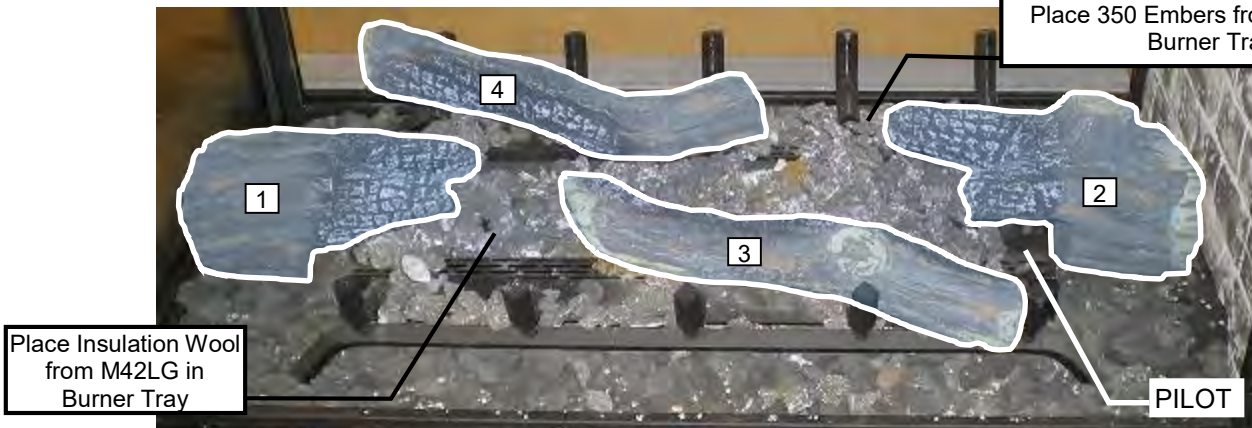
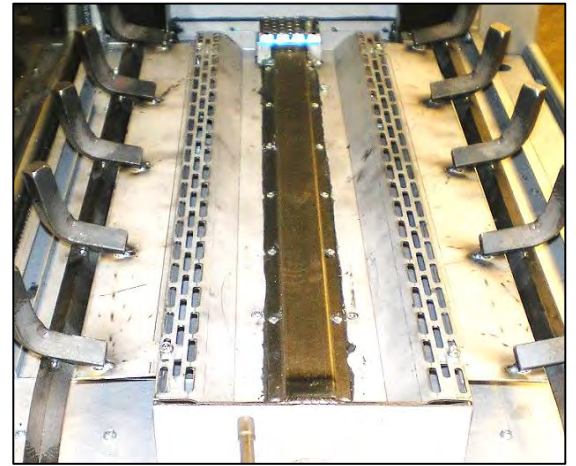
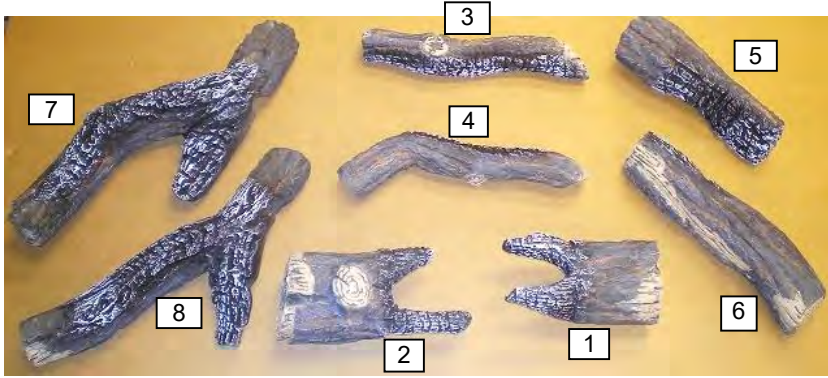
M42LOG3 6 Piece Driftwood Log Set - For use with GT Glass Tray



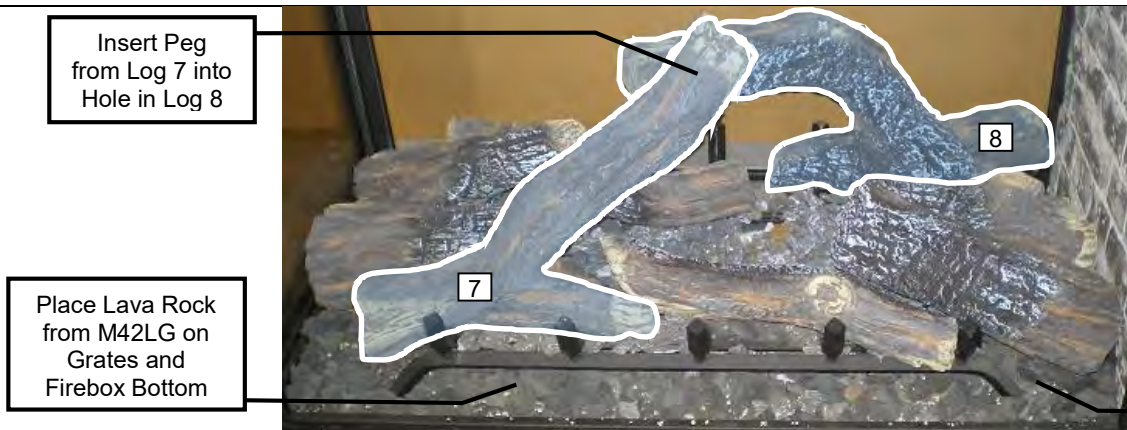
⚠ WARNING:
Failure to position the parts in accordance with these diagrams or failure to use only parts specifically approved with this appliance may result in property damage or personal injury.

M42LOG4

8 Piece Oak Log Set - For use with M42LG Log Grate



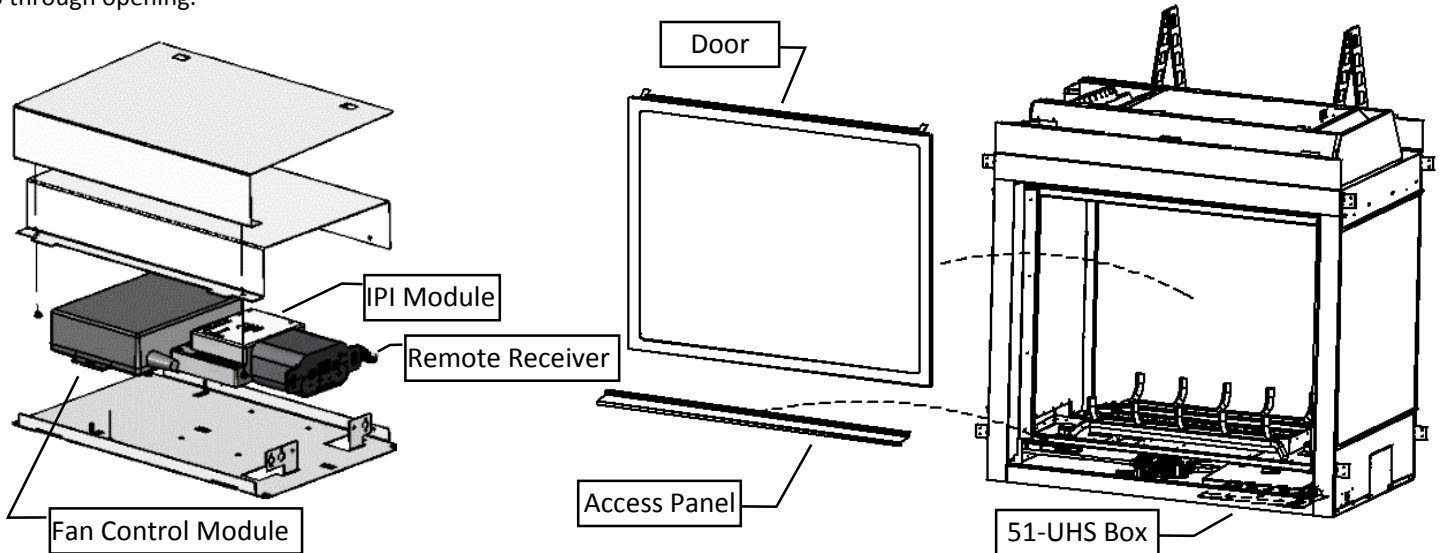
⚠ WARNING: Failure to position the parts in accordance with these diagrams or failure to use only parts specifically approved with this appliance may result in property damage or personal injury.



Included with base model.

The 51-UHS Box is designed for millivolt and IPI units for in-unit installation of the Remote Receiver, Fan Control Module, and the IPI Module. 51-UHS Box can be inserted & removed from beneath fireplace through access panel opening (Remove glass door first).

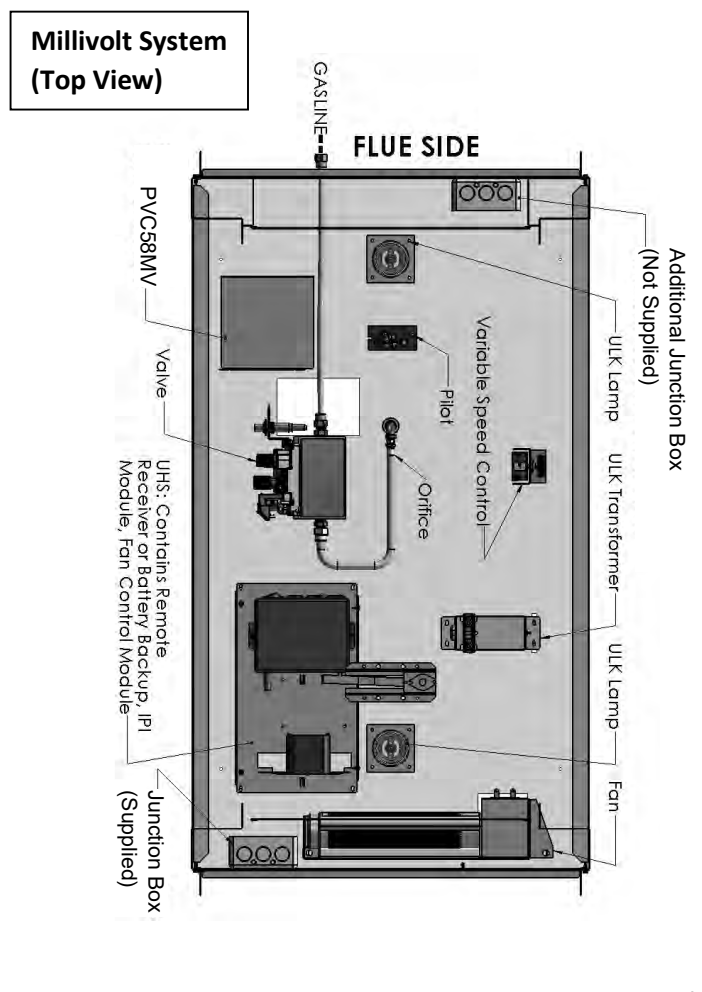
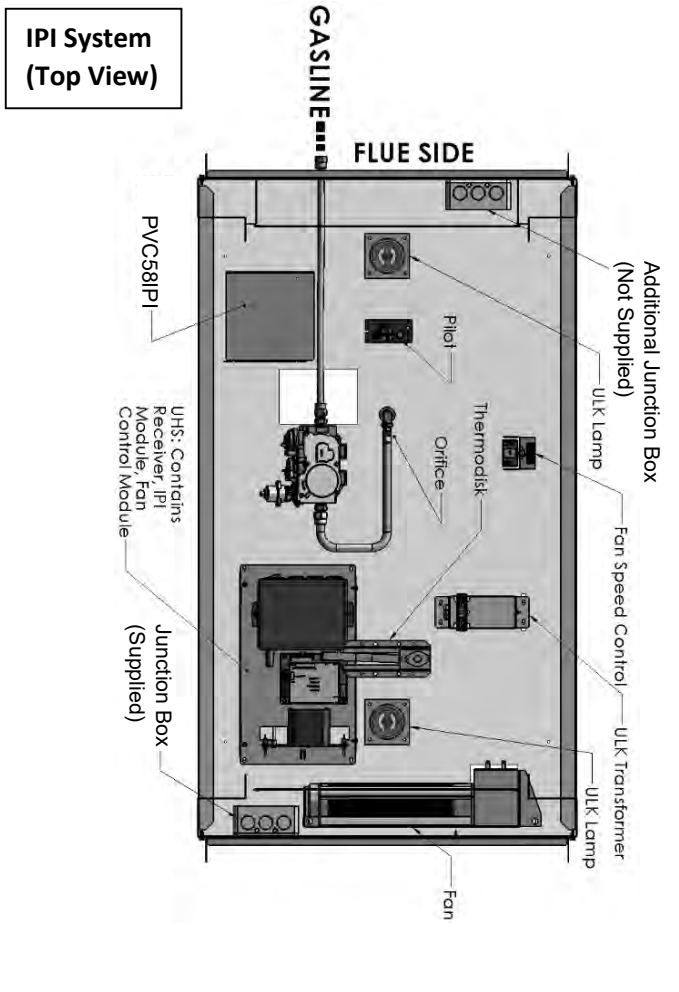
NOTE: When using a remote control, the 51-UHS Box must be used. Batteries for Remote Receiver can be changed by lifting 51-UHS up through opening.



51-UHS can be inserted & removed from beneath fireplace through access panel opening (Remove glass door first).

COMPONENT LOCATIONS

(See Each Section For Connections & Wiring)

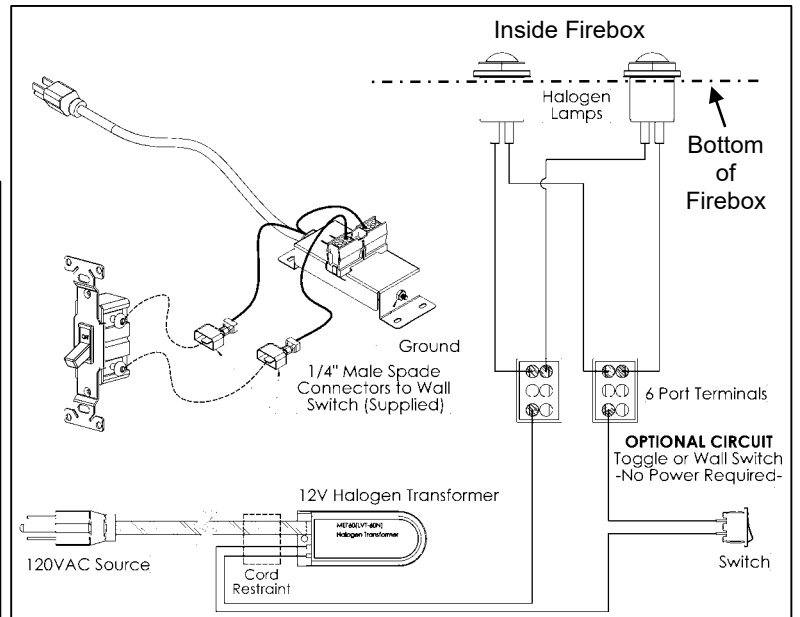


ULK3 Universal Light Kit (Optional Accent Lighting Kit) MCVP42 & MCVST42

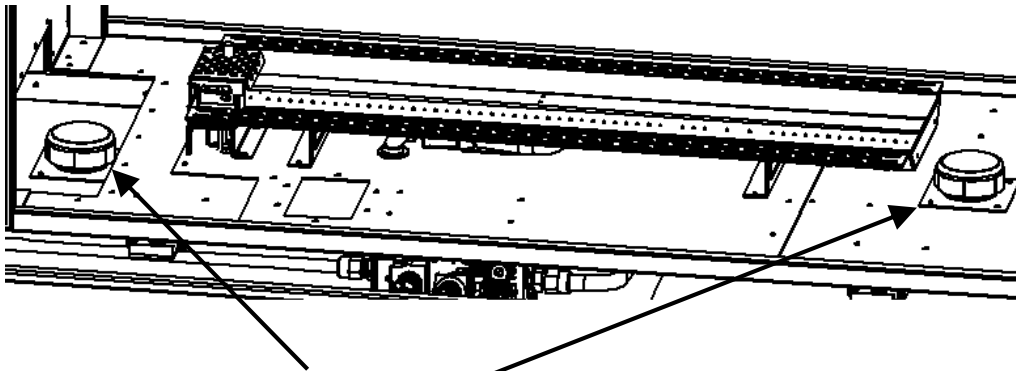
Please follow the current ANSI/NFPA 70 National Electrical Code in the USA and CAN/CSA C22.1 Canadian National Electrical Code in Canada.

Contents of Kit:

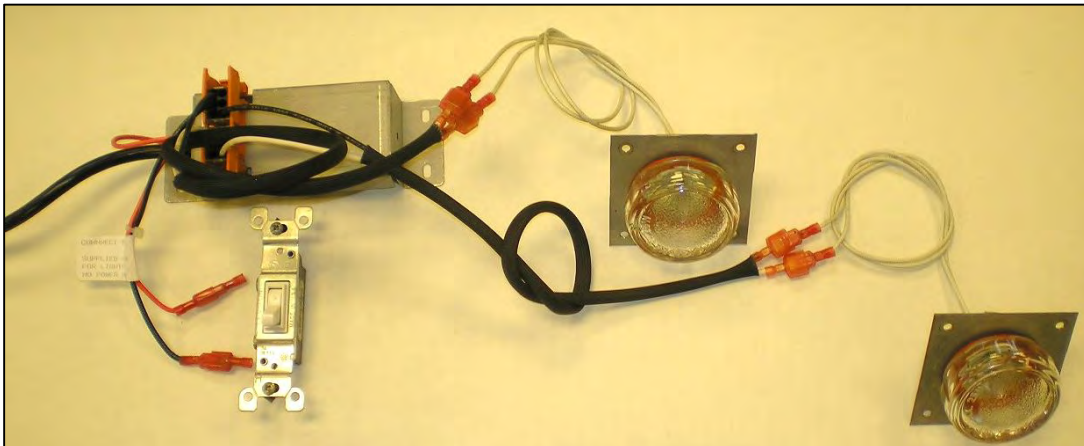
- [2] 12V Halogen Lamps
- 12VAC Transformer with 3 prong plug & wire connectors
- Light Switch & Cover Plate c/w 10ft wire c/w [1] Loose Female & [1] Loose Male wire connector



INSTALLATION: Remove Glass Tray or Log Grates if installed. Refer to *MP42GT, MST42GT or M42LG Installation / Removal*.



STEP 1: Remove cover plates and install lamps in firebox. Seal with fresh sealant (Mill-Pac).



STEP 2: Connect lamp wires to jacketed transformer leads. Connect switch wires to black and red wires at transformer, or plug black and red transformer wires together if 120V receptacle will be switch controlled.

REFER TO COMPONENT LOCATIONS SECTION OF MANUAL FOR TRANSFORMER PLACEMENT.

The fan can be installed through the side of the fireplace.

If fireplace is already installed, the burner pan must be removed to install the fan (See Burner System Removal section).

To install the fan from the side of the unit, remove the two screws in the Fan Access Cover on the left side of the fireplace. Bend the cover up. Insert fan through opening as shown.

Mount fan on tabs in bottom of fireplace. Connect fan as per wiring diagram below. Replace all components.

Fan Speed Control may be located outside of fireplace. **Thermodisc** is Located in track under firebox.

⚠ WARNING

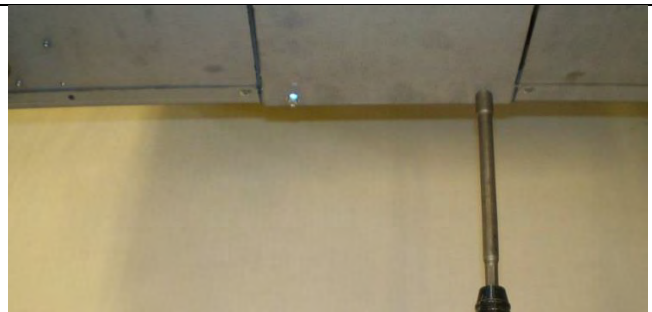
Electrical Grounding Instructions
 This appliance is equipped with a three prong (grounding) plug for your protection against shock hazard and should be plugged directly into a properly grounded three-prong receptacle. Do not cut or remove the grounding prong from this.

Before Servicing

1. Ensure all power supply is shut off.
2. Label all wires prior to disconnecting when servicing control. Wiring errors can cause improper and dangerous operation.
3. For fan servicing: Vacuum and clean lint/dirt build-up on the fan blades and motor.
4. When resealing the Burner Pan, use Mill Pac.



Remove Glass Doors from both sides of fireplace.
 Remove UHS Box from bottom of fireplace.



Remove 2 screws from access door opposite flue side of fireplace.

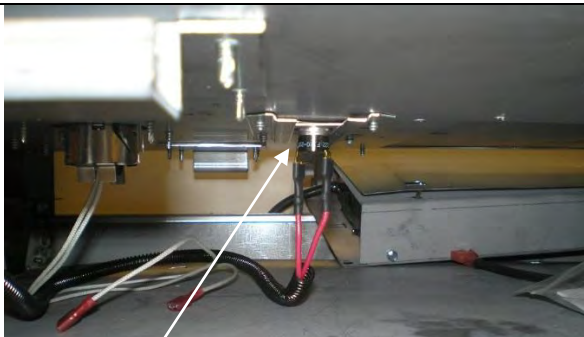


Slide Z46FK Fan Kit into opening.

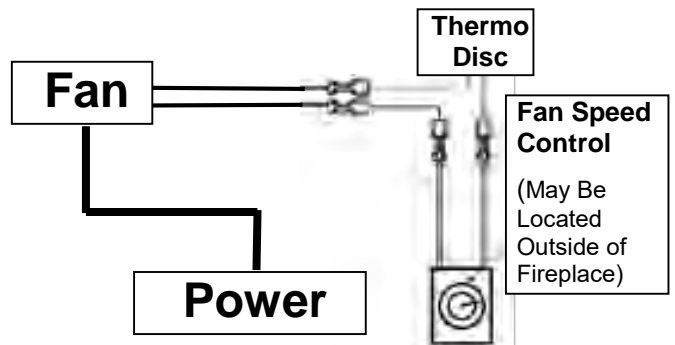


Fan Mount Tab

Set fan onto Mount Tabs inside fireplace.



Thermodisc is located in track under firebox.



NOTE: Do not allow cords or wires to come into contact with the firebox or the underside of the burner pan.

Split Receptacle- Fan Speed Control Outside of Fireplace

If you plan to locate the variable speed control switch for the fan outside of the fireplace and you require a constant source of AC power inside the unit for another accessory such as lights or an IPI valve system, follow one of the procedures below.

⚠️ WARNING

A qualified electrician must connect electrical wiring to junction outlet for built-in installation.

Follow all codes.

⚠️ WARNING

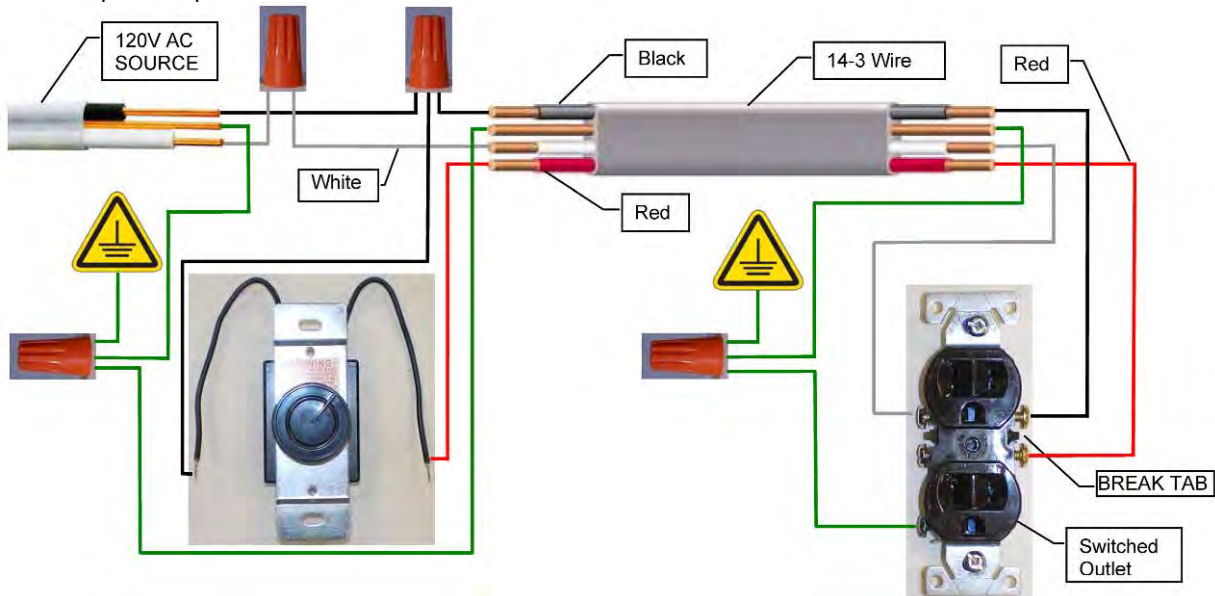
Electrical Grounding Instructions –
This appliance is equipped with a three – pronged (grounding) plug for your protection against shock hazard and should be plugged directly into a properly grounded three-prong receptacle.

⚠️ WARNING

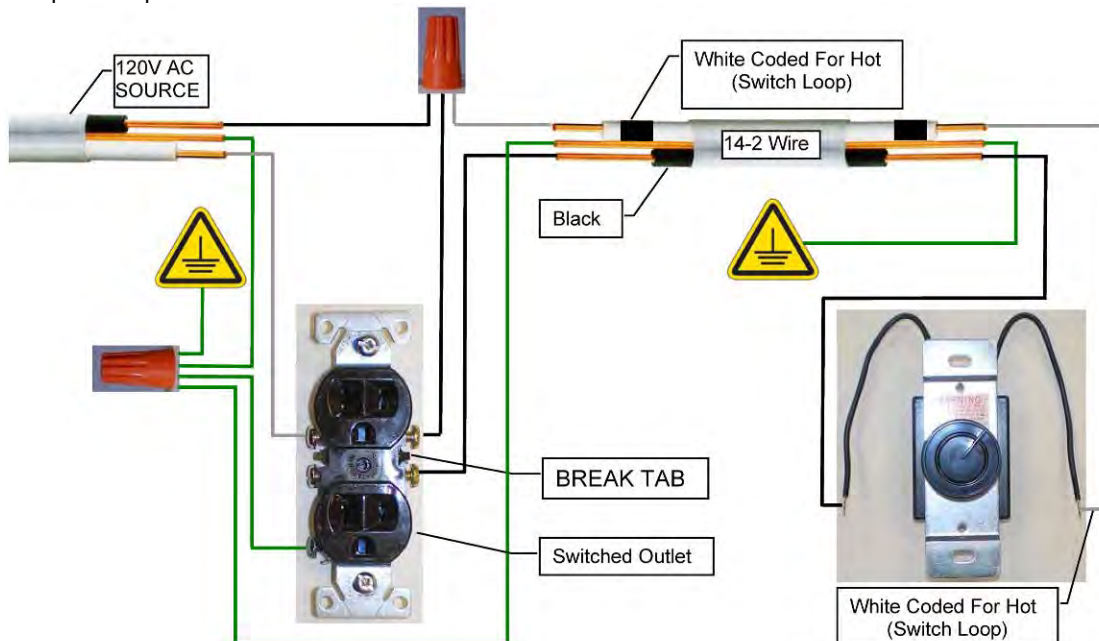
Label all wires prior to disconnection when servicing controls. Wiring errors can cause improper and dangerous operation. Verify proper operation and servicing.

⚠️ Caution: Electrical installation to be done by a qualified installer. All wires must be connected and grounded in accordance with CSA Standard C22.1- Canadian Electrical Code part 1 or with the National Electrical Code, ANSI /NFPA 70 (latest edition) and /or in accordance with local codes.

Switch Controlled Split Receptacle With Switch At START Of Cable Run



Switch Controlled Split Receptacle With Switch At END Of Cable Run



RBCB1 -Cannonballs- Installation Instructions

*Must be used with MST42GT/ MP42GT Glass Tray

Assorted size and colors. Place randomly as desired inside fireplace.



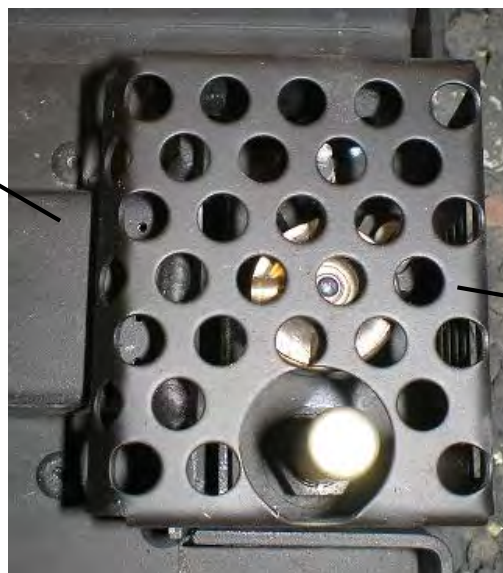
Can be used with MQ Glass, MQ Ember, and / or Lava Rock. Do not place Cannonballs directly on burner ports. If sooting occurs change position of or remove affected objects.

- MQ Glass can be placed directly on Burner and on Glass Tray.
- MQ Ember can be placed directly on Burner Only.
- Lava Rock (Supplied with Base Unit) CANNOT be placed on Burner. Place Lava Rock in channel in front of Glass Tray & on Glass Tray.

NOTE

- Pilot Area Must Not Be Covered, as delayed ignition can occur.
- Do not place Cannonballs directly on burner ports.

Pilot Area Must Not
Be Covered



*Pilot Shield should be visually inspected monthly for signs of deterioration due to flame exposure. Replace if necessary.

MQ Dealer Accessories for MCVST42 / MCVP42

The following Accessories are available through MQ Dealers only.

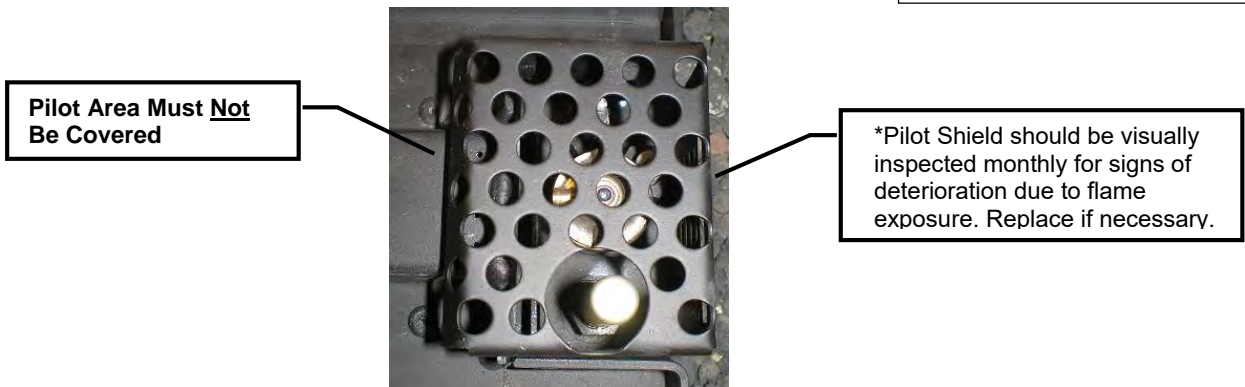
ACCESSORY ITEM	DESCRIPTION
MQG5W*	Decorative Glass 1/2" White
MQG5A*	Decorative Ember Glass Cobalt Blue
MQG5B*	Decorative Ember Glass - Black
MQG5ZG*	Decorative Glass- Zircon Glacier Ice
NOTE: All glass is sold in 5 pound bags.	
MQ42LOG2	Driftwood Log Set- 8pcs.
MQROCK2*	Rock Set Natural
MQROCK3*	Rock Set Multi-Color
MQSTONE*	Decorative Stones
MQEMBER*	Glowing Embers
*Must be used with MST42GT/ MP42GT Glass Tray	

• GLASS (MQG5W, MQG5C, MQG5A, MQG5B, MQG5ZG)
 If you wish to use this media evenly spread the glass embers onto the false bottom and burner. Ensure the glass embers do not excessively overlap as this will affect the flame pattern. Use care when placing glass embers near the pilot area so as not block or have the glass fall over the crossover holes from the pilot to the burner, as delayed ignition can occur.

- The following types of glass are approved:
- **1/2" Ember Glass Material from American Fireglass.**
 Maximum amount: **5lbs on Burner Tube and Burner Tray**
15lbs on Glass Tray (20lbs Max. total)
 - **Liquid Glass from Firegear.**
 Maximum amount: **5lbs on Burner Tube and Burner Tray**
15lbs on Glass Tray (20lbs Max. total)
 - **Zircon Glacier Ice.**
 Maximum amount: **10lbs on Burner Tube and Burner Tray**
15lbs on Glass Tray (25lbs Max. total)

Use of any other glass can alter the performance of the unit and is not covered under warranty.

Discoloration of glass media may occur if placed on the burner, this is not covered under warranty.



- **MQG5ZG Decorative Glass- Zircon Glacier Ice** 10lbs on Burner Tube and Burner Tray- 15lbs on Glass Tray (25lbs Max. total)
- Must be used with MST42GT/ MP42GT Glass Tray



⚠ NOTE

- **Pilot Area Must Not Be Covered, as delayed ignition can occur.**

MQ STONE / MQ ROCK- Must be used with MST42GT/ MP42GT Glass Tray

The following Accessories are available through MQ Dealers only.

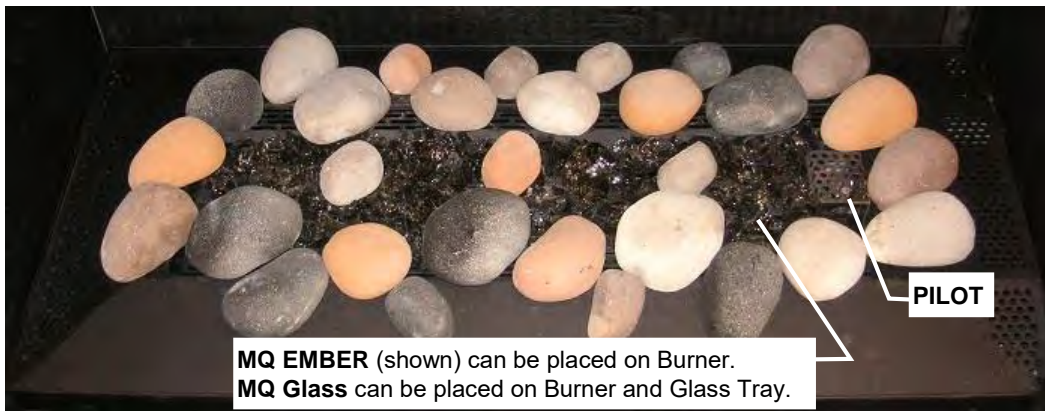
MQ STONE DECORATIVE STONE SET- Must be used with MST42GT/ MP42GT Glass Tray



NOTE
• Pilot Area Must Not Be Covered, as delayed ignition can occur.

- Place Stones onto False Bottom and Burner. Do not place directly on Pilot Area.
- Not all stones will be used on some installations.
- If sooting occurs change position of or remove affected objects.

MQ ROCK- Must be used with MST42GT/ MP42GT Glass



NOTE
• Pilot Area Must Not Be Covered, as delayed ignition can occur.

- Place Rocks onto False Bottom and Burner. Do not place directly on Pilot Area.
- Not all stones will be used on some installations.
- If sooting occurs change position of or remove affected objects.

• MQEMBER-

- To be placed directly on Burner and Burner Ports.
- Place these glowing ember chunks randomly.
- May be used with or without other accessories.

NOTE
• Pilot Area Must Not Be Covered, as delayed ignition can occur.

Pilot Area Must Not Be Covered

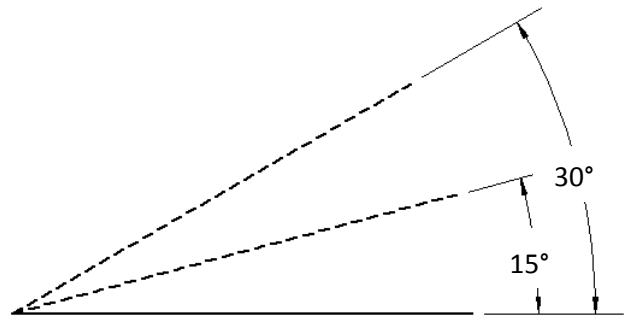


*Pilot Shield should be visually inspected monthly for signs of deterioration due to flame exposure. Replace if necessary.

ZCV39 / ZCV42 / MCVST42 / MCV42 Door Installation

To install Door:

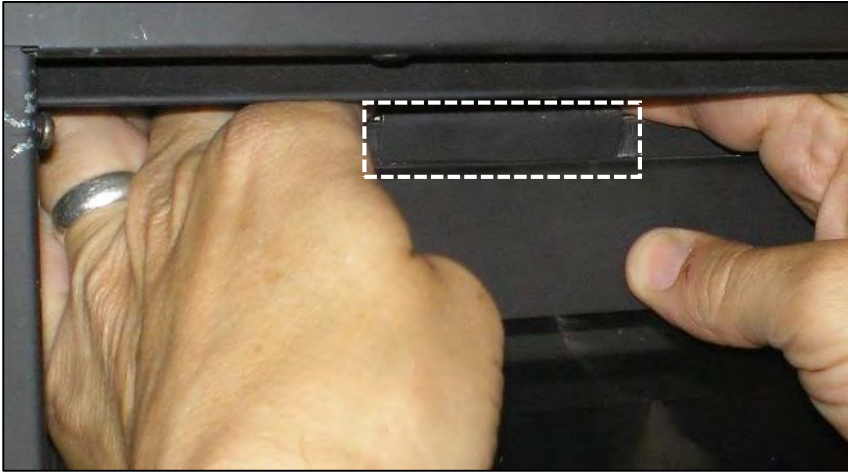
1. Remove Access Cover below Glass Door.



2. Engage door in lower latches at an angle of between 15 and 30 degrees.



3. Swing door up and pull top latches over door lip at each corner.



4. Replace Access Cover below Glass Door.

⚠️ WARNING:

Wait until unit is **COMPLETELY** cool before touching glass or attempting to install or remove Glass Door.

Door and Glass Information MCVST42

Glass Cleaning

It will be necessary to clean the glass periodically. During startup, condensation, which is normal, forms on the inside of the glass, and causes dust, lint etc. to cling to the glass surface.

Also, initial paint curing can deposit a slight film on the glass. It is therefore recommended that initially the glass be cleaned two or three times with a fireplace glass cleaner. After that, the glass should be cleaned two or three times a season depending on the circumstances.



Cautions and Warnings

- Do not clean when the glass is hot.
- The use of substitute glass will void all product warranties (see **Glass Replacement** in this section).
- Care must be taken to avoid breakage of the glass.
- Do not operate this fireplace without the glass front or with a broken glass front.
- Do not strike or abuse the glass.

Glass Replacement

MCVST42N, MCVST42NE, MCVST42LP, MCVST42LPE must use tempered glass. Must be 5mm thick.

Only Robax ceramic or coated Neoceram glass may be used for replacement for Models **MCVST42NH, MCVST42NHE, MCVST42LPH, and MCVST42LPHE**. Glass must be minimum 5mm thick.

To replace glass, clean all materials from the door frame. Scrape off old silicone all the way down to the metal. Using high-temp silicone [rated up to 500°F (260°C)] apply a continuous bead of approximately 1/8"-3/16" to all four [4] sides of the frame. With the frame resting on a flat surface, insert the new glass with a new gasket. Gently press the glass into the silicone. Be careful not to use excessive force on the glass. Let the silicone dry for approximately 15-20minutes.

Use caution when removing broken glass. Wear gloves.

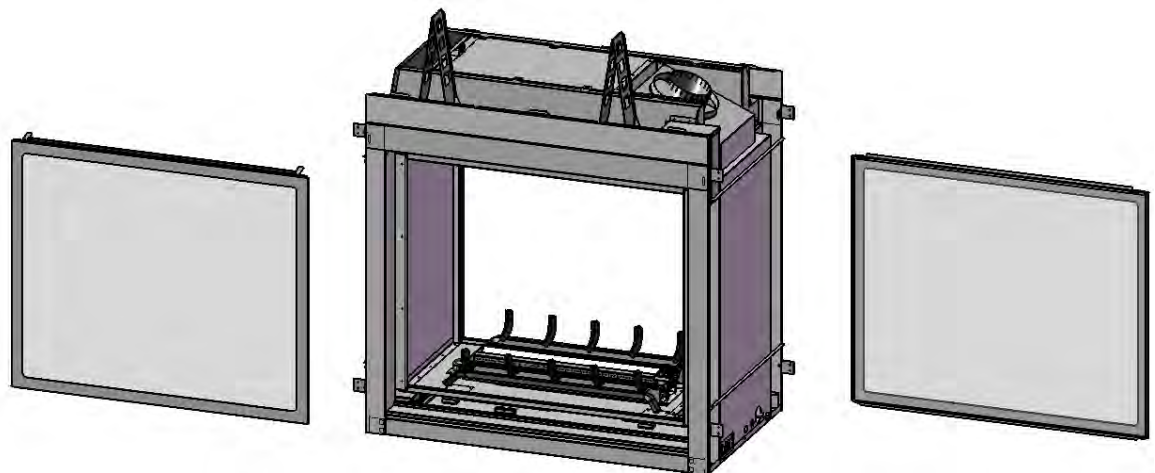
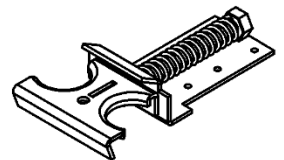
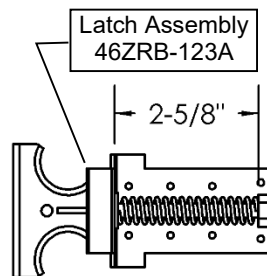
Removal of Glass Doors

1. Remove the door by unlatching the 2 top latches. Simply place 2 fingers in the grooves, and pull and lift upward slightly.
2. Once the top of the door is unlatched, pull it outward and lower it to unlatch the bottom.
3. To re-install, place the Bottom Door Ledge into the 2 Lower Latch assemblies first. Then swing the door closed to seal it against the firebox cavity. Re-latch the Upper Latch assembly to secure the door to the appliance.

Spring Replacement

*Over time, the door latch spring (Part# **33IDV-123**) may need to be replaced if tension is lost.

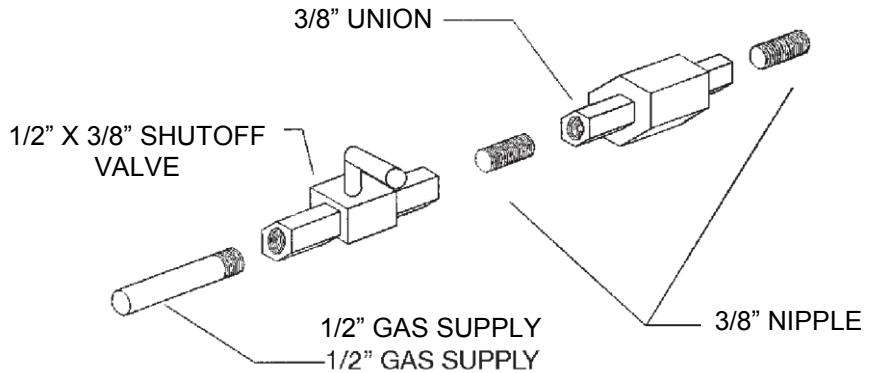
1. To replace latch spring, remove the 2 hex screws (located in the firebox) that secure the latch assembly in place.
2. Once the screws are removed the latches will slide out of place.
3. Remove the locknut from the latch assembly and replace the spring. Re-tighten the locknut until 2 thread turns are beyond the locknut. This is critical for proper tension. Replace latch assembly.



Gas Line Installation

This gas appliance should be installed by a qualified installer in accordance with local building codes and with current CAN/CGA - B149.1 or .2 installation codes for Gas Burning appliances and equipment in Canada and the National Fuel Gas Code ANSI Z223 in the U.S.A.

1. The gas pipeline can be brought in through either the right or the left side of the appliance. A knockout is provided at either location to allow for the gas pipe installation and testing of any gas connection.
2. The gas control inlet is 3/8" NPT. Typical installation layout for rigid pipe is shown at right.
3. When using copper or flex connector, use only approved fittings. Always provide a union so that gas line can be easily disconnected for burner or fan servicing. See gas specification for pressure details and ratings.
4. When a vertical section of gas pipe is required for the installation, a condensation trap is needed. See CAN/CGA-B149.1 or .2 for code details.
5. For natural gas, a minimum of 3/8" iron pipe with gas minimum pressure of 4.5" w.c. must be used for supply from the gas meter. Consult with the local gas utility if any questions arise concerning pipe sizes.
6. A 1/8" NPT plugged tapping is accessible for test gauge connection both on the inlet and outlet of the gas valve.
7. Turn the gas supply ON and check for leaks. **DO NOT USE OPEN FLAME FOR THIS PURPOSE.** Use an approved leak testing solution.
8. The appliance and its individual shutoff valve must be disconnected from the gas supply piping system during any pressure testing of that system at test pressures in excess of 1/2 PSIG (3.5 KPa).
9. The appliance must be isolated from the gas supply piping system by closing its individual shutoff valve during any pressure testing of the gas supply piping system at test pressures equal to or less than 1/2 PSIG (3.5 KPa).



NOTE: The gas line connection may be made of 1/2" rigid pipe or an **Approved Kingsman Flex Connector, such as FP15GC.** Since some municipalities have additional local codes, it is always best to consult your local authorities and the current CAN/CGA - B149.1 or .2 installation code in Canada or the National Fuel Gas code ANSI Z223.1 in the U.S.A

For the state of Massachusetts a T-handle gas shut-off valve must be used on a gas appliance. This T-handle gas shut-off valve must be listed and approved by the state of Massachusetts. This is in reference to the state of Massachusetts state code CMR238.

Important: Always check for gas leaks with a soap and water solution. Do not use open flame for leak testing.

Gas Specifications

MODELS	MCVST42N/NE	MCVST42LP/LPE	MCVST42NH/NHE	MCVST42LPH/LPHE
Fuel	Natural	Propane	Natural	Propane
Gas Control	Millivolt / IPI	Millivolt / IPI	Millivolt / IPI	Millivolt / IPI
Maximum	30,250 BTU	29,000 BTU	31,000 BTU	29,250 BTU
Low	20,750 BTU	23,000 BTU	21,000 BTU	23,000 BTU
Orifice Size(0-4500ft)	#34	#50	#34	#50
Air Shutter	1/16"	Fully Open	1/16"	Fully Open
Gas Inlet Size S.I.T. 820 Nova, 3/8" NPT				
Gas Supply Pressure	Minimum	Normal	Maximum	
Natural Gas	5.5"	7"	9"	
Propane	11"	11"	12"	
Manifold Pressure	Natural Gas		Propane	
Manifold Pressure High	3.5 IN. W.C./ .87 KPa		10 IN. W.C./2.61 KPa	
Manifold Pressure Low	1.6 IN. W.C./ .40 KPa		6.3 IN. W.C./1.57 KPa	

Millivolt System, Lighting, and Burner Control

FOR YOUR SAFETY READ BEFORE LIGHTING

WARNING: If you do not follow these instructions exactly, a fire or explosion may result causing property damage, personal injury or loss of life.

BEFORE LIGHTING

- | | |
|--|--|
| <p>A This appliance has a pilot which must be lighted by hand. When lighting the pilot, follow these instructions exactly.</p> <p>B Smell all around the appliance area for gas. Be sure to smell next to the floor because some gas is heavier than air and will settle on the floor.</p> | <ul style="list-style-type: none"> • Immediately call your gas supplier from a neighbour's phone. Follow the gas supplier's instructions. • If you cannot reach your gas supplier, call the fire department. <p>C Use only your hand to push or turn the gas control knob. Never use tools. If the knob will not push in or turn by hand, don't try to repair it. Call a qualified technician. Force or attempted repair may result in a fire or explosion.</p> <p>D Do not use the appliance if any part has been under water. Immediately call a qualified service technician to inspect the appliance and to replace any part of the control system which has been under water.</p> |
|--|--|

WHAT TO DO IF YOU SMELL GAS

- Do not try to light an appliance.
- Do not touch any electrical switch; do not use any phone in your building.

LIGHTING INSTRUCTIONS

- | | |
|--|---|
| <ol style="list-style-type: none"> 1. Stop! Read the safety information above this label. 2. Set the thermostat to lowest setting. 3. Turn off all electrical power to the appliance. 4. Locate valve under the burner assembly. 5. If the control knob is not already in the off position, i.e. the word "OFF" in the 9 o'clock position, then push in the gas control knob slightly and turn ⤵ clockwise to "OFF". NOTE: Knob cannot be turned from "PILOT" to "OFF" unless knob is pushed in slightly. Do not use force. 6. Wait five [5] minutes to clear out any gas. If you then smell gas. STOP! Follow "B" in the safety information above on this label. If you don't smell gas then go to the next step. 7. Now push in the control knob slightly and turn ⤵ counter-clockwise to the "PILOT" position. 8. Push in the control knob all the way and hold it. With the other hand push in the red igniter button until you hear a click. Now observe closely the pilot burner located on the rear center-left hand side of the main burner. | <p>If a flame has appeared then continue to depress the control knob for 20 seconds. If the flame did not appear then continue to depress the red igniter button every 5 seconds until a flame is established. NOTE: If after 30 seconds a flame has not yet been established then turn the control knob back to the off position and repeat steps 5, 6 & 7.</p> <ol style="list-style-type: none"> 9. Once the pilot has been established hold the control knob in the depressed position for approximately 25 seconds before releasing. If the flame goes out then repeat steps 7 and 8. <ul style="list-style-type: none"> • If the knob does not pop up when released, stop and immediately call your service technician or gas supplier. • If the pilot will not stay lit after several tries, turn the gas control to "OFF" and call your service technician. 10. Now turn the control knob to the "ON" position. The burner will not light unless the wall switch thermostat or remote control is turned "ON" or in the case of the thermostat there is a call for heat. 11. Close the access door and turn all electrical power back to the appliance. 12. The pilot must be turned off when the unit is not in use. |
|--|---|

TO TURN OFF THE APPLIANCE

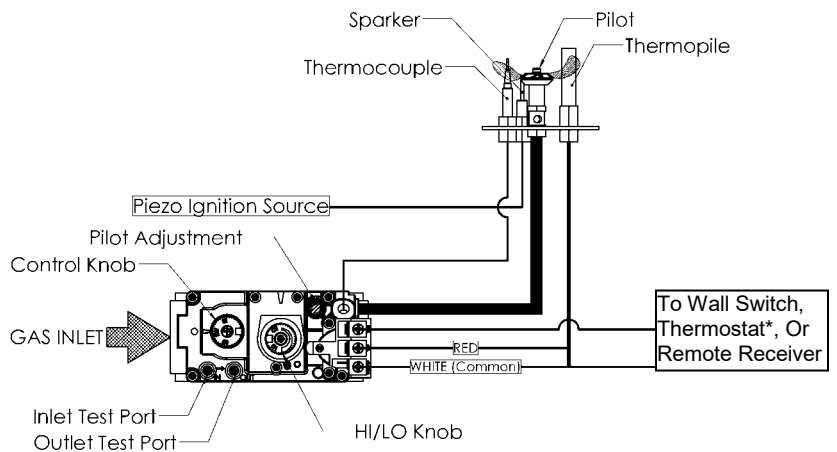
- | | |
|--|--|
| <ol style="list-style-type: none"> 1. Set the thermostat to lowest setting. 2. Turn off all electric power to the appliance if service is to be performed. 3. Open the control access door. | <ol style="list-style-type: none"> 4. Push in the gas control knob slightly and turn ⤵ clockwise to the "OFF" position. Do not force. 5. Replace control access panel. |
|--|--|

NOTE: Only one on/off device (manual on/off, remote control, or hard wired thermostat) should be connected to the appliance at any one time, this is most important when installing an insert or stove as the on/off rocker switch is installed at the factory.

Recommended Maximum Lead Length (Double Wire)
When Using Wall Switch or Thermostat

Wire Size	Max. Length
14ga	100ft [30.4m]
16ga	64ft [19.5m]
18ga	40ft [12.1m]
20ga	25ft [7.6m]
22ga	15ft [4.5m]

CAUTION: DO NOT WIRE 120V POWER TO MILLIVOLT SWITCHES OR THERMOSTAT.



*In the U.S.A. Thermostats are not permitted for Vented Gas Fireplaces (ANSI Z21.50b-2009 -Decorative).

Troubleshooting the Gas Control System



WARNING

BEFORE DOING ANY GAS CONTROL SERVICE WORK, REMOVE THE GLASS FRONT. Before troubleshooting the gas control system, be sure external gas shut off is in the "On" position.

Problem	Possible Causes	Corrective Action
Spark igniter will not light.	<p>Defective or misaligned electrode at pilot.</p> <p>Defective igniter (push-button).</p>	<p>Check for spark at electrode and pilot: if no spark and electrode wire is properly connected, replace igniter.</p> <p>Using a match, light pilot. If pilot lights, turn off pilot and push the red button again. If pilot will not light - check gap at electrode and pilot should be 1/8" to 1/4" to have a strong spark.</p>
Pilot will not stay lit after carefully following lighting instructions.	<p>Defective thermocouple (flame switch where applicable).</p> <p>Defective valve magnet.</p>	<p>Check pilot flame. Must impinge on generator and thermocouple. Clean and/or adjust pilot for maximum flame impingement on generator and thermocouple. Replace thermocouple if pilot will not hold. (Hand tight 1/8 turn on replacement)</p> <p>Replace valve, if pilot won't hold after the thermocouple is replaced.</p>
Pilot burning, no gas to burner, valve knob "ON", and wall switch "ON".	<p>Wall switch or wires defective.</p> <p>Generator may not be generating sufficient voltage.</p> <p>Plugged burner orifice.</p> <p>Defective automatic valve operator.</p>	<p>Check wall switch and wires for proper connections. Jumper wire across terminals at wall switch. If burner comes on, replace defective wall switch. If okay, jumper wires, across wall switch wires at valve. If burner comes on, wires are faulty or connections are bad.</p> <p>Check generator with millivolt meter. Take reading at generator terminals of gas valve. Should read 325 millivolts minimum while holding valve knob depressed in pilot position and wall switch "off" Replace faulty generator if reading is below specified minimum.</p> <p>Check burner orifice for stoppage and remove.</p> <p>Remove wall switch wires from gas valve. Install jumper wires from top bottom terminals of gas valve. Turn valve on "ON". If main burner does not light, replace valve.</p>
Frequent pilot outage problem.	Pilot flame may be too low or blowing (high) causing the pilot safety to drop out.	Clean and/or adjust pilot flame for maximum flame impingement on generator and thermocouple.
Flame lifts off burner and goes out in less than 30 seconds.	The inner liner has come off flue or termination, flame is starving for oxygen.	Attach the inner liner to flue or termination using screws, silicone and clamps as stated in manual.
Flame lifts off burner on one side while the rest of the flame remains lit.	Improper installation of firebrick. Firebrick is likely leaning.	Be sure to position firebrick against firebox walls and be sure to use brick clips attached to the inner side of firebox.

Burner System Maintenance- MCVST42 / MCVP42

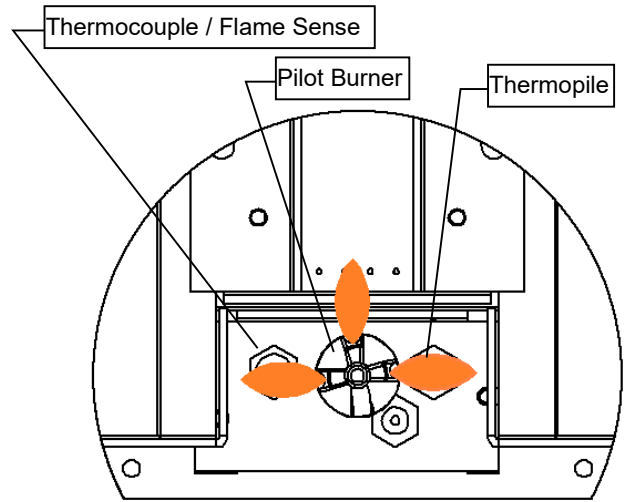
It is recommended to annually inspect and clean the Burner System to prevent malfunction and / or sooting. This operation should be performed by your dealer or a qualified technician.

! -CAUTION-

Before servicing the burner system ensure that the gas supply is turned OFF and disconnect all electrical connections to the appliance. Allow the appliance to cool to room temperature. Note that the pilot assembly may be hot in an intermittent or standing-pilot system—even if the main burner was never on. Exercise caution when working within the area.

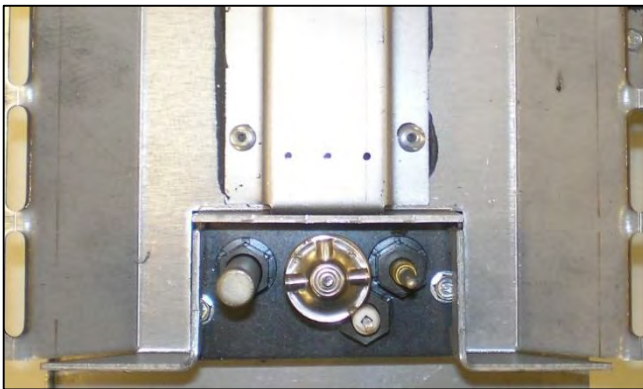
-ALL WORK SHOULD BE PERFORMED BY A QUALIFIED AND CERTIFIED TECHNICIAN-

Monthly Flame Inspection



It is recommended to turn on the unit at least once a month and inspect the flame pattern to ensure there are no problems with the burner tube (Flame should appear similar to the above picture).

The pilot flame should also be inspected monthly to ensure proper operation.



Pilot Must Maintain This Relationship With Burner.



Pilot Shield Area Must Not Be Covered With Media.

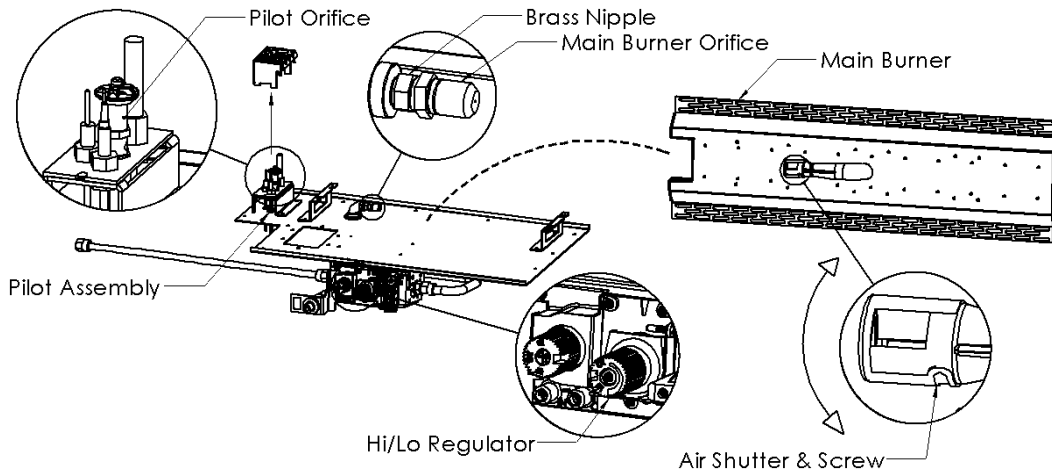
*Pilot Shield should be visually inspected monthly for signs of deterioration due to flame exposure. Replace if necessary.

Gas Conversion Part A MCVST42

Models: MCVST42N, MCVST42NE, MCVST42LP, MCVST42LPE, MCVST42NH, MCVST42NHE, MCVST42LPH, MCVST42LPHE

Kit Number	Description	Pilot Orifice	Burner Orifice Brass (1000-255)	Brass Nipple	Air Shutter	Hi/Lo Regulator
42MST-CKLP	LP Conversion -Millivolt-	1001-P167SI #30 (977.167)	#50	1000-253 Closed	Fully Open	1001-P202SI (0.907.202)
42MST-CKNG	NG Conversion -Millivolt-	1001-P165SI #51 (977.165)	#34	1000-253 Closed	1/16"	1001-P201SI (0.907.201)
42MST-CKLPI	LP Conversion -IPI-	1001-P168SI #35 (977.168)	#50	1000-253 Closed	Fully Open	1002-P014SI (0.907.014)
42MST-CKNGI	NG Conversion -IPI-	1001-P166SI #62 (977.166)	#34	1000-253 Closed	1/16"	1002-P016SI (0.907.016)

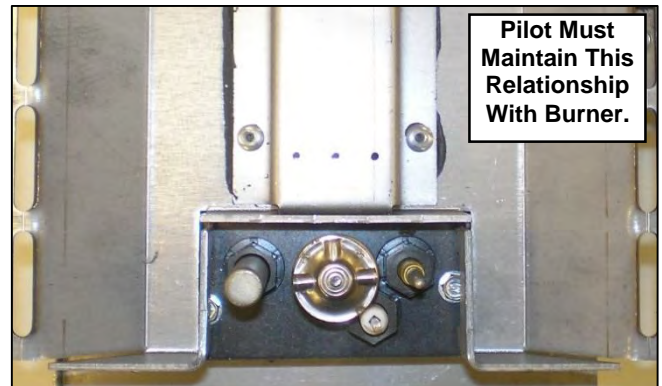
IMPORTANT: Always check for gas leaks with a soap and water solution. DO NOT USE OPEN FLAME FOR LEAK TESTING.



⚠ Caution:

The gas supply shall be shut off prior to disconnecting the electrical power, before proceeding with the conversion.

1. The Burner Tube must be removed from the Burner Pan Assembly (See **Burner Tube Removal**). Adjust the Air Shutter to the correct Primary Air setting as specified in the manual or on the label plate. To adjust the Primary Air setting, loosen screw on the side of the Air Shutter and rotate to the correct opening using a drill bit or tape measure. Retighten screw.
2. Remove the Main Orifice using a 1/2" wrench and replace with the new Conversion Orifice which came with the Conversion Kit.
3. Replace the Burner Tube. Install the new Pilot Orifice (See **Pilot Conversion**) and Hi/Lo valve regulator by following instructions supplied with the Conversion Kit.



Refer to "**Gas Specifications Chart**" for inlet pressures and input ratings. Clock meter to verify input rate. Place conversion label as close to converted gas control as possible. Refer to lighting instructions to verify the normal operating sequence of the ignition system.

⚠ -Warning-

This conversion kit shall be installed by a qualified service agency in accordance with the manufacturer's instructions and all applicable codes and requirements of the authority having jurisdiction. If the information in these instructions is not followed exactly, a fire, explosion or production of carbon monoxide may result causing property damage, personal injury or loss of life. The qualified service agency is responsible for the proper installation of this kit. The installation is not proper and complete until the operation of the converted appliance is checked as specified in the manufacturer's instructions supplied with the kit.

Gas Conversion for Top Convertible Pilot – Part B (series 0190XYZ)



Instructions for converting SIT 190 series pilot burner injector from NG to LPG and from LPG to NG only. This information should be considered as supplemental to the Appliance Manufacturer's Instructions.

WARNING!

The installation of this conversion kit must only be undertaken by a qualified and certified gas appliance installer.

1. Shut-off the gas supply to the appliance.
2. Allow the pilot burner to cool to room temperature.

WARNING: Touching a hot pilot burner can result in injury.

3. The pilot hood is held in place by spring. First remove the spring, then remove the hood by pulling it up from the pilot bracket (fig. 1).
4. Insert a 5/32" or 4 mm Allen wrench into the hexagonal key-way of the injector (fig. 2), and rotate it counter-clockwise until it is free of the injector journal.
5. Verify that the new injector is proper for the application. The injector size is stamped on the side of the injector near the top. LPG injectors have a groove machined around their circumference near the top, while NG injectors do not have a groove (fig. 4). Refer to the Appliance Manufacturer's instruction sheet for the proper injector size.
6. Insert the Allen wrench into the end of the injector. Then, insert the injector into injector journal, and rotate the injector clockwise until a torque of 9 lbf in (1.0 Nm) is achieved.
7. First replace the pilot hood by aligning the tab on the base of the hood with the slot in the side of the pilot journal, and push the hood down, onto the pilot bracket (fig. 3). The hood must sit squarely on the bracket for proper operation. Then replace the spring by pushing it on his seat (fig.3). Check to insure that the hood is properly seated onto the pilot bracket and that the spring is properly inserted onto his seat.
8. Restore the gas supply to the appliance, and ignite the pilot burner. Verify proper ignition and operation.



fig. 1

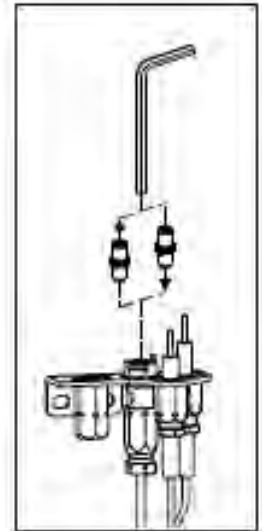


fig. 2



fig. 3

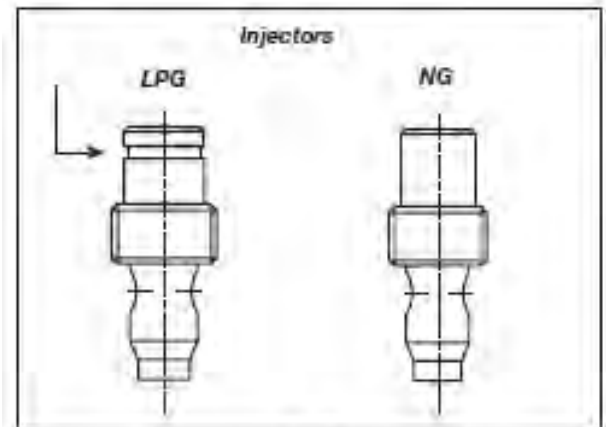


fig. 4

WARNING!

This conversion kit must ONLY be applied as part of a conversion kit supplied by the APPLIANCE MANUFACTURER for the specific appliance, and type of gas, being converted.



SIT GROUP

www.sitgroup.it

installation instructions

7.252.136

820 NOVA mV

Modulating Conversion Kit

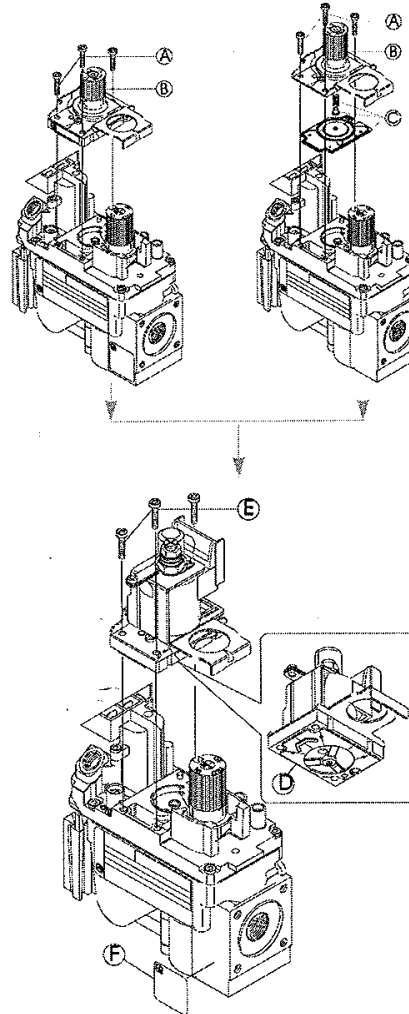


WARNING!

The installation of this conversion kit must only be undertaken by a qualified and certified gas appliance installer.

MODULATING PRESSURE REGULATOR CONVERSION KIT INSTALLATION OR REPLACEMENT INSTRUCTIONS.

- 1 Turn control knob to the OFF position, and shut off the gas supply to the valve.
- 2 Using a Torx T20, or slotted screwdriver, remove and discard the three pressure regulator mounting screws (A), pressure regulator tower (B), and the spring and diaphragm assembly (C).
(If applicable)
- 3 Insure that the rubber gasket (D) is properly positioned and install the new modulating pressure regulator assembly to the valve using the new screws (E) supplied with the kit. Tighten screws securely.
(Reference torque = 25 In.Lb.)
- 4 Install the enclosed identification label (F) to the valve body where it can be easily seen.
- 5 Apply gas to system and re-light appliance according to manufacturers instructions.
- 6 With the main burner "ON", test the new pressure regulator assembly for leaks using a soap solution.
- 7 Relight the main burner in both the HI and LO positions, and verify proper burner ignition and operation.



WARNING!

This modulating conversion kit must ONLY be applied as part of a conversion kit supplied by the APPLIANCE MANUFACTURER for the specific appliance, and type of gas, being converted.

INSTALLER NOTICE. These instructions must be left with appliance.



SIT Group

MCVST42 / MCVP42

Burner Removal

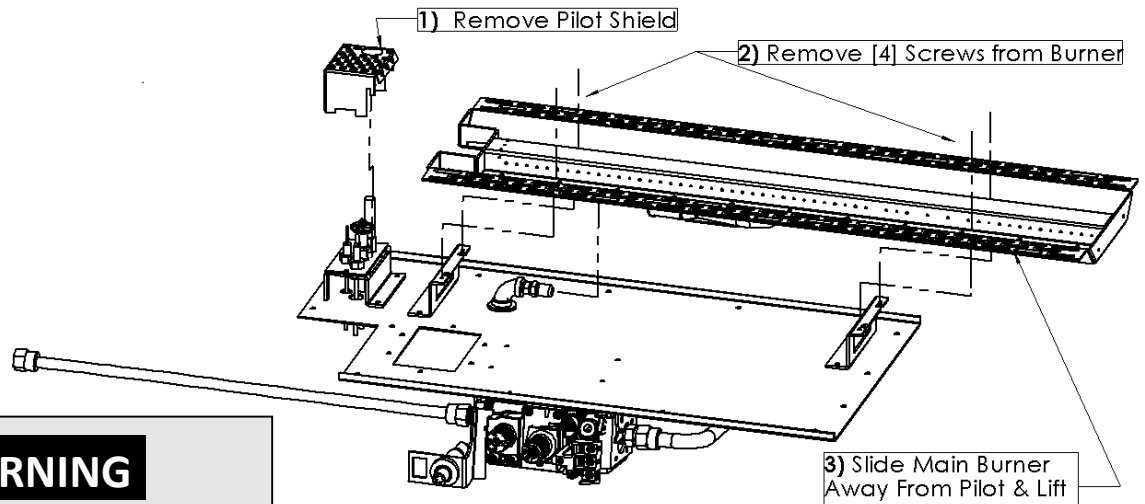
If Glass Tray or Log Grates are installed, see MST42GT/ MP42GT or MST42LG / MP42LG Installation & Removal sections.

To remove burner,

Lift Pilot Shield off of Pilot.

Remove four [4] screws from burner.

Slide burner away from pilot and lift to remove.



⚠ WARNING

Turn off Unit and allow to cool before cleaning. Only a Qualified service technician should service and repair this appliance.

MCVST42

Burner System Removal / Installation

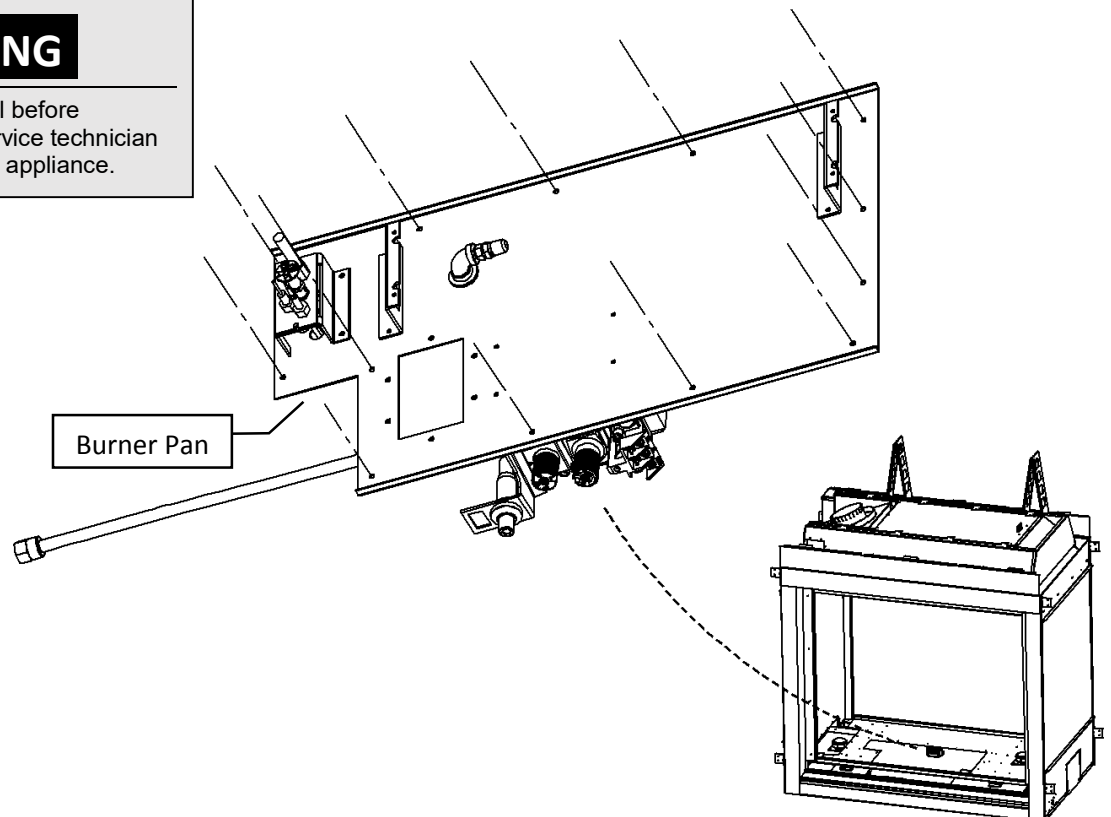
Removal If Glass Tray or Log Grates are installed, see MST42GT/ MP42GT or MST42LG / MP42LG Installation & Removal sections. Then refer to **Burner Removal** instructions above to remove burner.

Remove fourteen [14] screws around edge of Burner Pan. Carefully work the burner pan loose & lift the assembly upward to remove it from the firebox cavity.

Installation is the reverse of these steps. Ensure that the mounting surface is clean. Use fresh **Black Mill Pac** to reseal the burner pan.

⚠ WARNING

Turn off Unit and allow to cool before cleaning. Only a Qualified service technician should service and repair this appliance.



IPI Electronic Ignition System

Overview

The IPI system is an advanced burner controller that provides you with the option of having either a Standing-Pilot, or an intermittent igniting system. This alternating mode is controlled by the CPI/IPI Switch (Continuous Pilot Ignition/Intermittent Pilot Ignition) located on the IPI System Box. The difference between a Standing-Pilot and an Intermittent-Pilot is in whether the pilot stays lit or shuts off:

In Standing-Pilot, the pilot assembly is lit by the IPI Main Module and continues to stay lit until 1) the CPI/IPI Switch is switched to the IPI position; 2) a loss of electrical power (battery and AC source), 3) the flame sensor loses its signal, 4) the fuel supply discontinues, or 5) the IPI Main Module malfunctions.

In the Intermittent-Pilot mode, the pilot shuts off when the appliance is not in use. The advantage of this mode is that fuel is not consumed when the fireplace is not operating.

NOTE: In some jurisdictions Intermittent-Pilot is required. That means the pilot cannot remain lit when the appliance is not operating.

Components

The core of the IPI system is the Main Module and the IPI Valve. With these two components the system is able to operate a gas fireplace. There are also other components available to complement the IPI system.

IPI System Cover: Is essential in keeping the components at their proper operating temperatures. **DO NOT OPERATE THE APPLIANCE WITHOUT THIS COVER.**

Modulating Servo Motor: Is an add-on valve component that permits HI/LO functionality to be controlled by the remote. Contrary to this feature is a Manual HI/LO Control Knob. The Modulating Servo Motor requires the Remote system to be present.

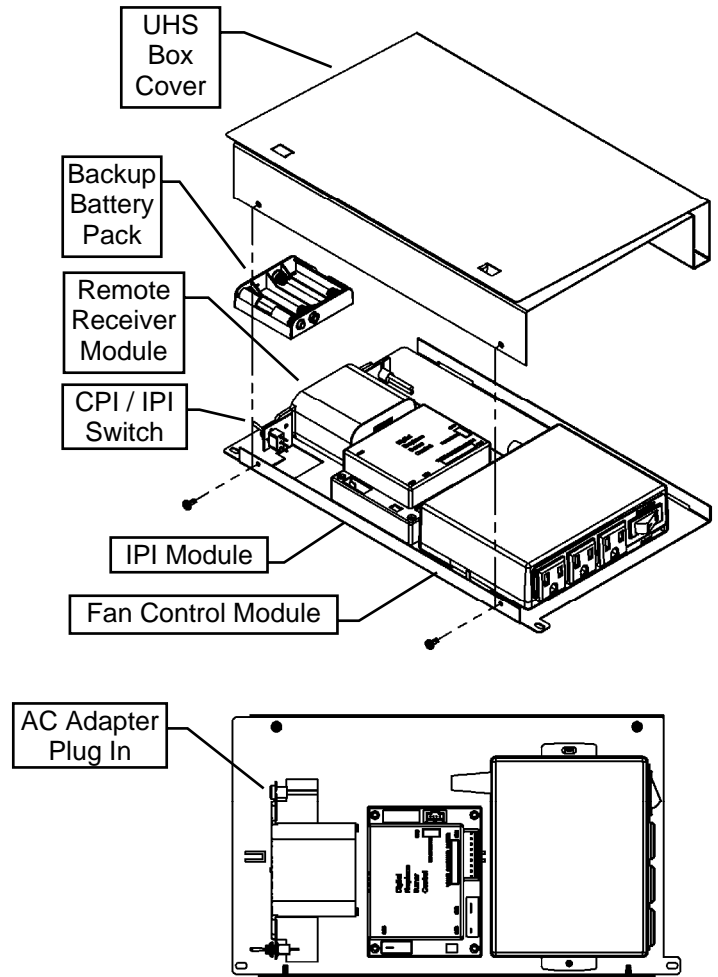
Backup Battery Pack: This component permits the IPI system to operate without the need for an external AC Adapter power source. The advantage to using the battery backup is that in the case of a power failure, the appliance is still operable.

NOTE: In certain instances the IPI Main Module requires resetting. This can occur if the system is unable to ignite the pilot or the main burner in the allotted time period. The IPI is programmed to lockout all commands. To reset this lockout you must deplete the system of all electrical power. This means to remove the batteries from the Battery Pack, remove the batteries from the Remote Receiver (if applicable), and disconnect the AC Adapter from the system. Leave the power off for approximately 25 seconds to clear its lockout.

Remote Receiver: This component provides the capability of controlling the appliance with a wireless remote transmitter.

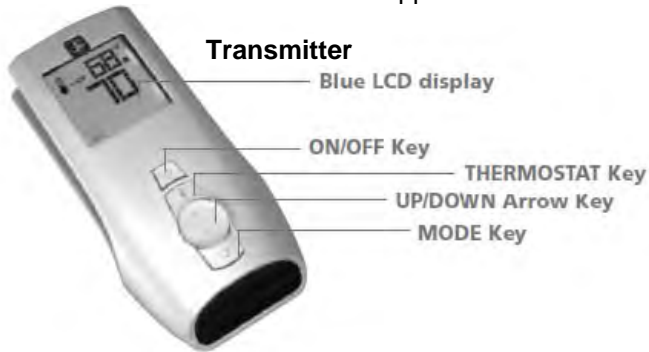
Standing Pilot Mode for Colder Climates (Below Freezing)

For IPI models it may be necessary to set the appliance to Standing Pilot mode to maintain heat in the cavity. The purpose of this procedure is to prevent cold air from penetrating the chimney and then onto the living space. Therefore, when the internal temperature is slightly elevated the fireplace is able to freely exhaust its combustion and hence making it easier to startup.



-Remote Control Operation-

The Proflame GTM is configured to control the on/off main burner operation, its flame levels, and provides on/off and Smart thermostatic control of the appliance.



Transmitter

The Transmitter is powered by 3 AAA type batteries. A Mode Key is provided to Index between the features and a Thermostat Key is used to turn on/off or index through thermostat functions

Remote Receiver

The Receiver connects directly to the gas valve and stepper motor with a wiring harness. The Receiver is powered by 4 AA type batteries. The Receiver three position slider switch can be set to one of three positions: ON (Manual Override), Remote (Remote control) or Off.

Initializing the System for the first time

Install 4 AA batteries into the receiver battery bay. Install 3 AAA type batteries in the Transmitter battery bay. Place the 3 position slider switch in the "Remote" position. Insert the end of a paper clip into the hole marked "PRG" on the Receiver front cover. The Receiver will "beep" three (3) times to indicate that it is ready to synchronize with a Transmitter. Push the On button. The Receiver will "beep" four times to indicate the Transmitter's command is accepted. The system is now initialized.

Temperature indication Display

With the system in the "OFF" position, press the Thermostat Key and the Mode Key at the same time. Look at the LCD screen on the Transmitter to verify that a C or F is visible to the right of the Room Temperature display.

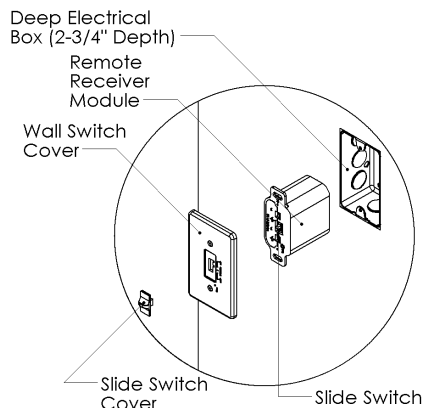
Turn the Appliance On or Off

Press the ON/OFF Key on the Transmitter

Remote Flame Control

The Proflame GTM has six (6) flame levels. Pressing the Down Arrow Key once will reduce the flame height by one step until the flame is turned off. The Up Arrow Key will increase the flame height each time it is pressed. If the Up Arrow Key is pressed while the system is on but the flame is off, the flame will come on in the high position.

NOTE: The Remote Receiver module can also be located outside of the appliance to a maximum of 6ft away installed in a certified deep wall switch electrical box (2-3/4" depth). For this configuration an extension wiring harness (P/N: 1001-P904SI) is required.



Room Thermostat (Transmitter Operation)

The Remote Control can operate as a room thermostat. To activate this function, press the Thermostat Key. The LCD display on the Transmitter will change to show that the room thermostat is "ON" and the set temperature is now displayed. To adjust the set temperature, press the Up or Down Arrow Keys until the desired set temperature is displayed on the LCD screen of the Transmitter.

Smart Thermostat (Transmitter Operation)

The Smart Thermostat function adjusts the flame height in accordance to the difference between the set point temperature and the actual room temperatures. As the room temperature gets closer to the set point the Smart Function will modulate the flame down. To activate this function, press the Thermostat Key until the word "SMART" appears to the right of the temperature bulb graphic. To adjust the set temperature, press the Up or Down arrow Keys until the desired set point temperature is displayed.

Key Lock Function

This function will lock the keys to avoid unsupervised operation. To activate this function, press the MODE and the UP Arrow Key at the same time. To de-activate this function, press the MODE and the UP Arrow Key at the same time.

Low Battery Detection

Transmitter - When the Transmitter batteries are low, a Battery Icon will appear on the LCD display of the Transmitter.
Receiver - When the Receiver batteries are low, No "beep" will be emitted from the Receiver when it receives an On/Off command from the Transmitter. When the batteries are replaced the "beep" will be emitted from the Receiver when the ON/OFF Key is pressed (See Initializing the System for the first time).

Manual Bypass Of The Remote System

If the batteries of the Receiver or Transmitter are low or depleted, the appliance can be turned on manually by sliding the three position slider switch on the Receiver to the ON position. This will bypass the remote control feature and the appliance main burner will come on if the gas valve is in the "On" position.

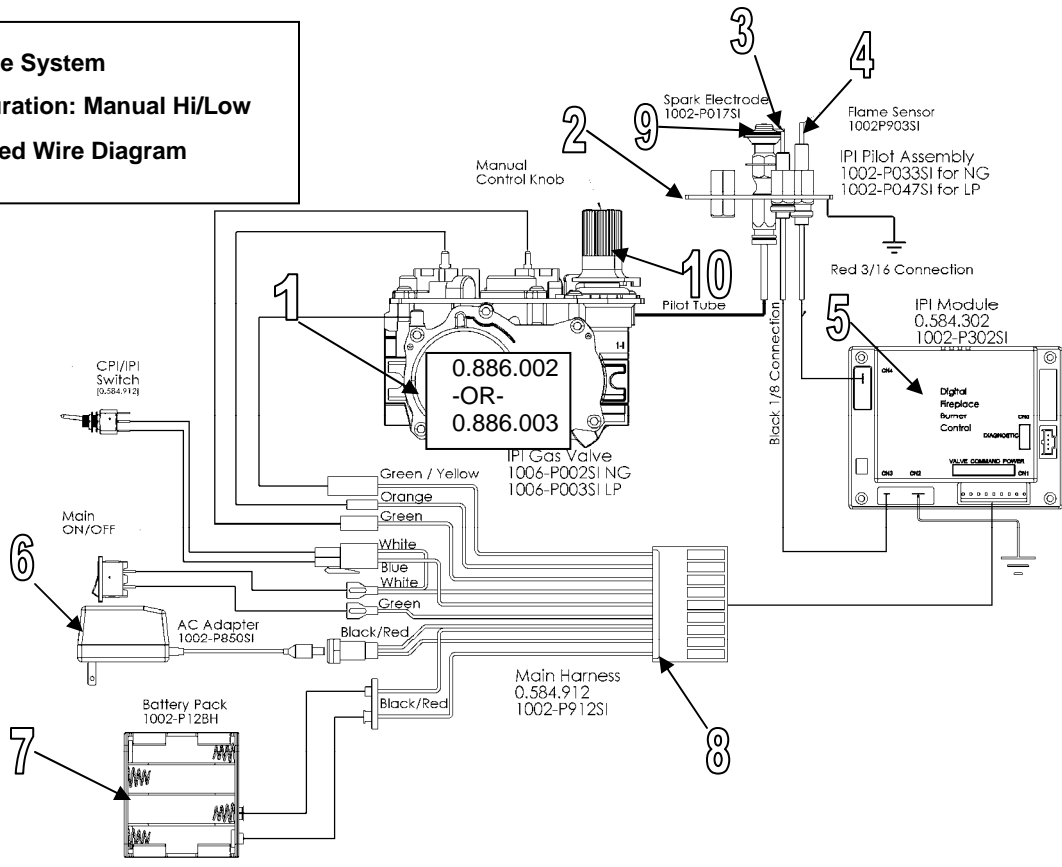
*In the U.S.A. Thermostats are not permitted for Vented Gas Fireplaces (ANSI Z21.50b-2009 -Decorative).,

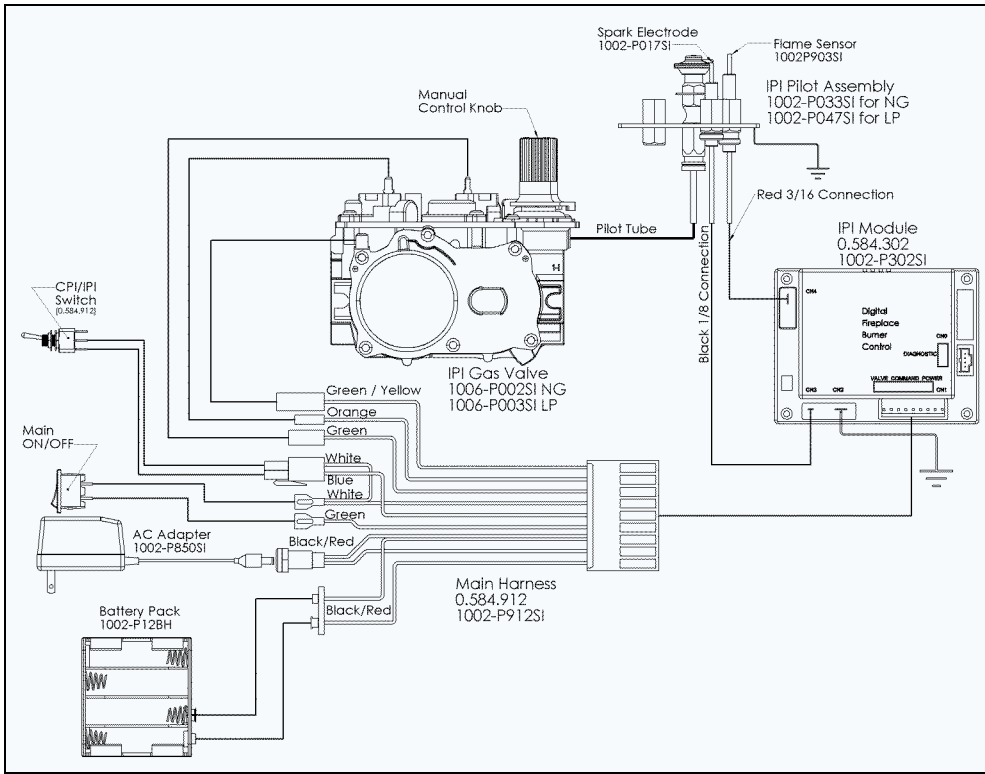
IPI Electronic Ignition Parts List – Standard System

ITEM NO.	PART NO.	DESCRIPTION
1	1006-P002si	Valve IPI Hi/Lo NG
	1006-P003si	Valve IPI Hi/Lo LP
2	*1002-P047si	Pilot Assembly-LP -24" Wire
	*1002-P033si	Pilot Assembly-NG -24" Wire
3	1002-P017si	Spark Electrode (with wire)
	*1002-P119si	Spark Electrode (with wire- 35" Length)
4	1002-P903si	Electrode Flame Sensor
	*1002-P910si	Electrode Flame Sensor (35" Length)
5	1002-P302si	IPI Ignition Board
6	1002-P850si	AC Wall Adapter
7	1002-P12BH	Battery Pack
8	1002-P912si	Wiring Harness
9	1001-P166si	Orifice Pilot -NG#62
	1001-P168si	Orifice Pilot -LP#35
10	1002-P013si	Stepper Motor -NG
	1002-P012si	Stepper Motor -LP
	1002-P016si	Hi/Lo Regulator -NG
	1002-P014si	Hi/Lo Regulator -LP

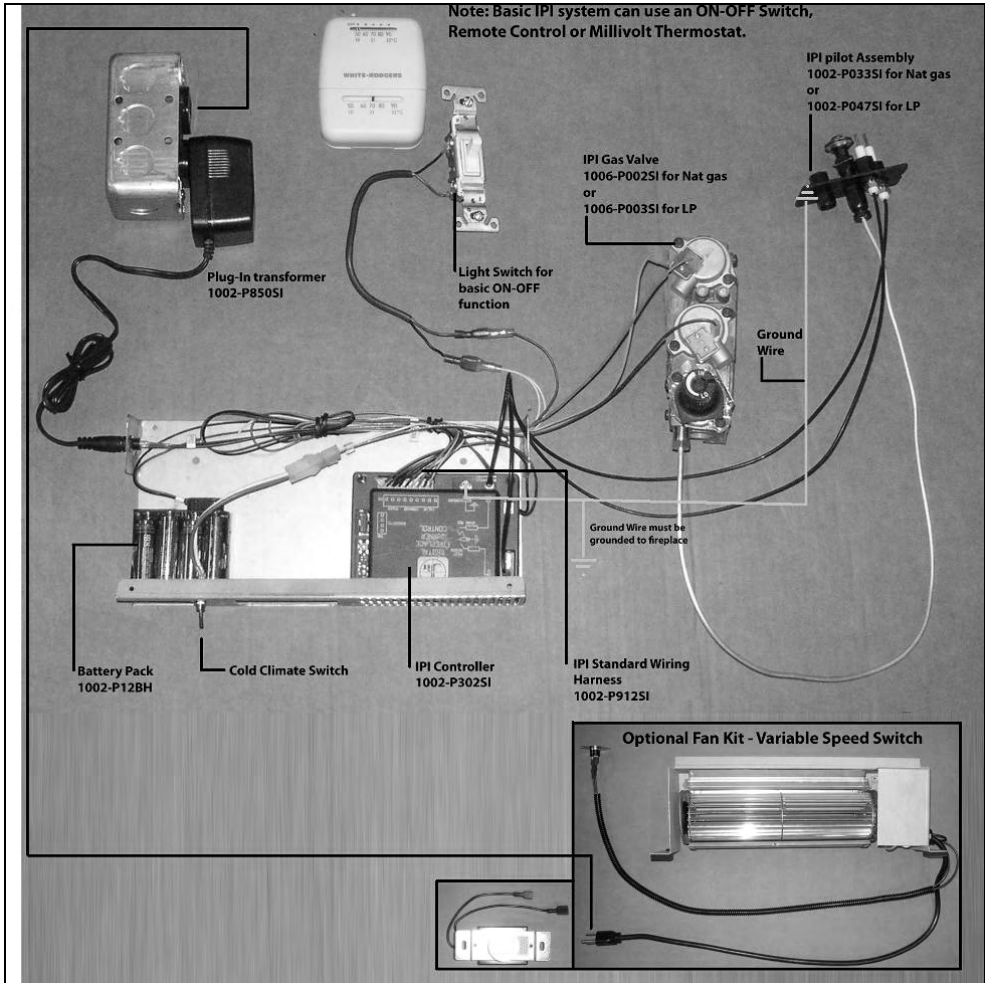
*Models ZRB46E / MQRB4436E / MQRB5143E / MQRB6961E
Longer (35") Wire length is required for these units.

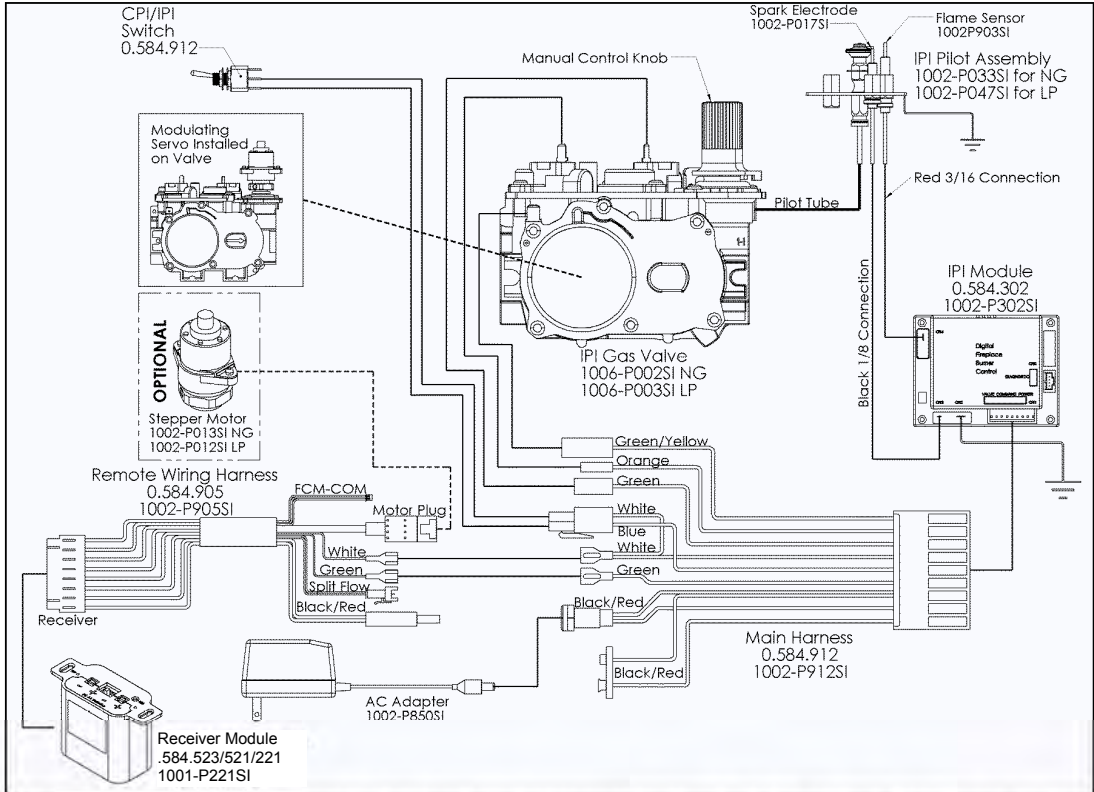
Proflame System
Configuration: Manual Hi/Low
Simplified Wire Diagram



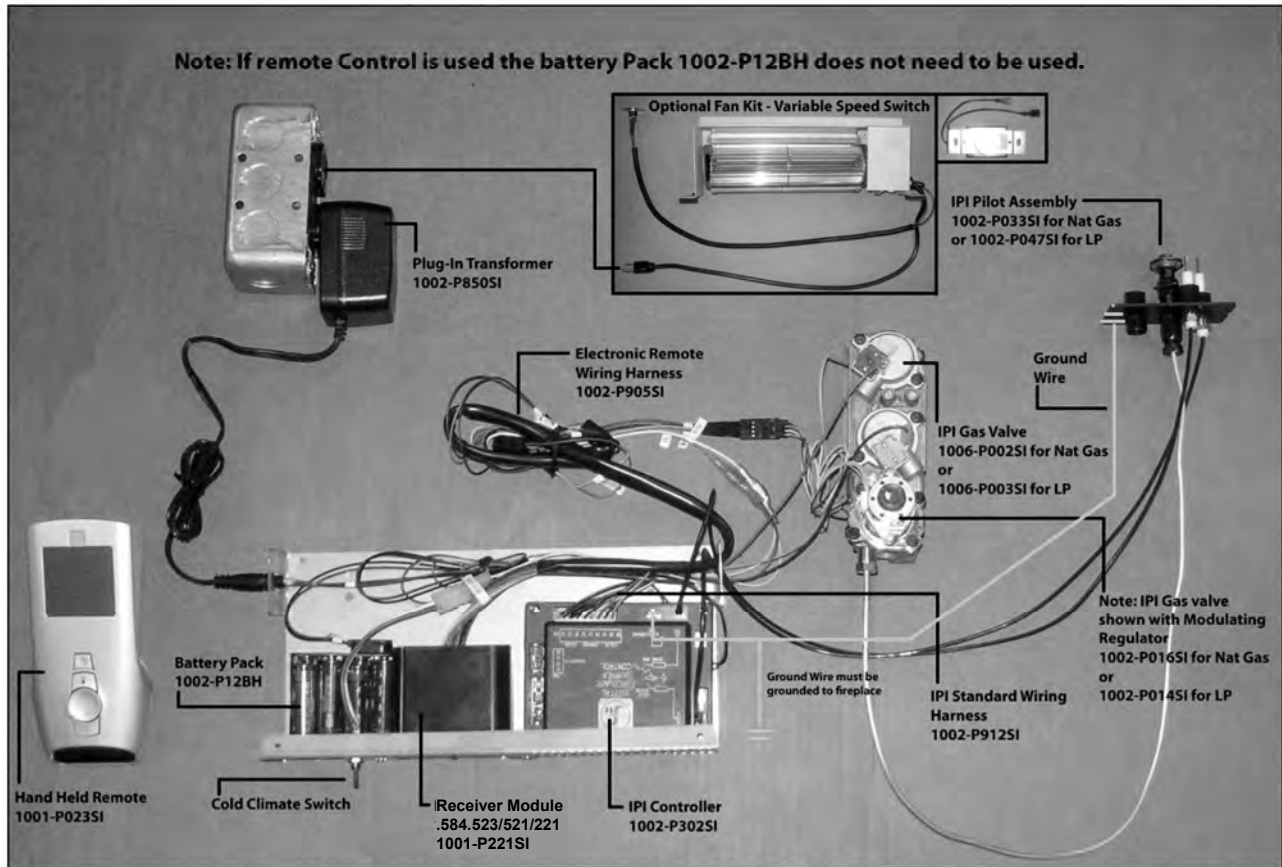


Configuration #1: Basic manual HI/LO and manual ON/OFF capabilities.





Configuration #2: Remote ON/OFF and manual HI/LO capabilities. OPTIONAL: For units with remote HI/LO capabilities, a modulating servo is required to be installed on the valve. The connectors to this servo must be connected to the Remote Harness as shown in the figure above.



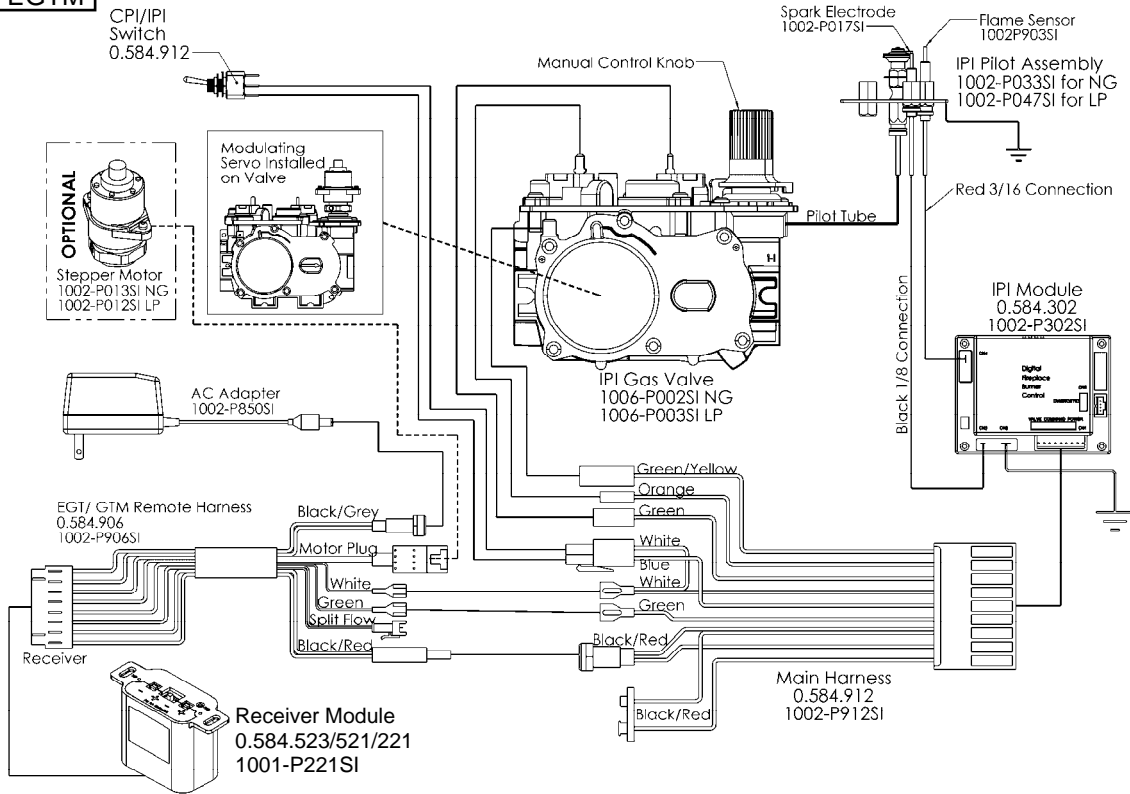
Operating the Receiver Without Batteries For GT / EGT / GTM / EGTM Remote Controls

-Wiring Harness P/N 1002-P906si required for both IPI & Millivolt systems.

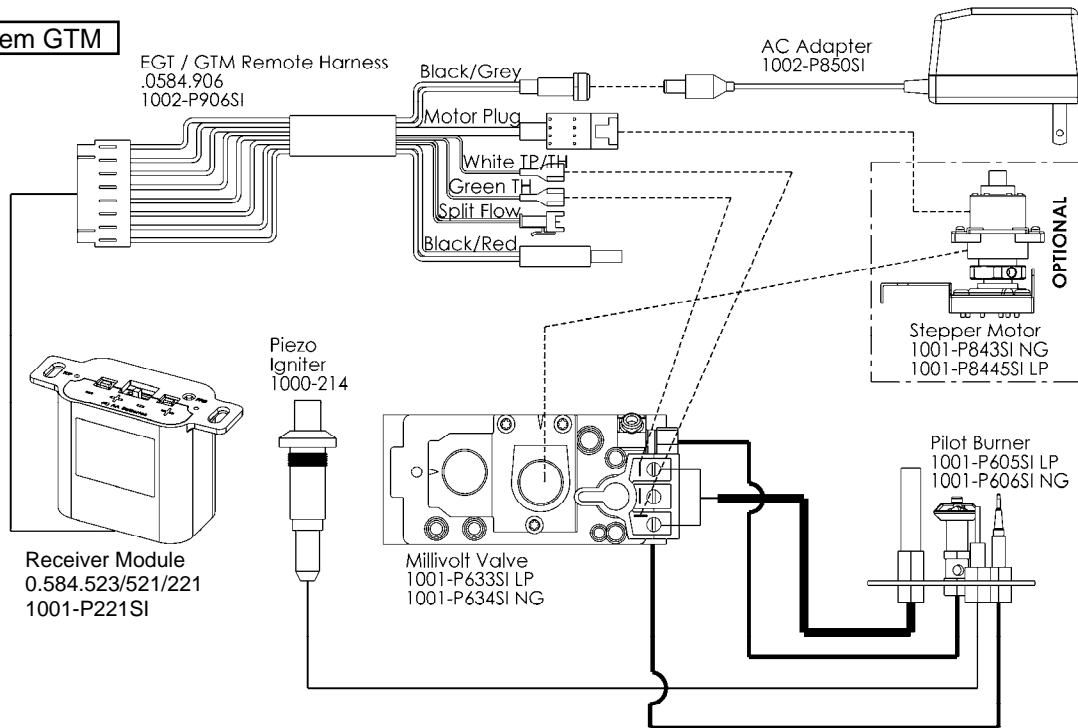
-Millivolt Systems will also require Power Adapter P/N 1002-P850si.

The Remote Receiver & IPI or Millivolt system can be powered by the AC Adapter. This is advantageous if you do not want to use batteries. Simply connect the AC Adapter into the Remote Control Wiring Harness as per the diagrams below.

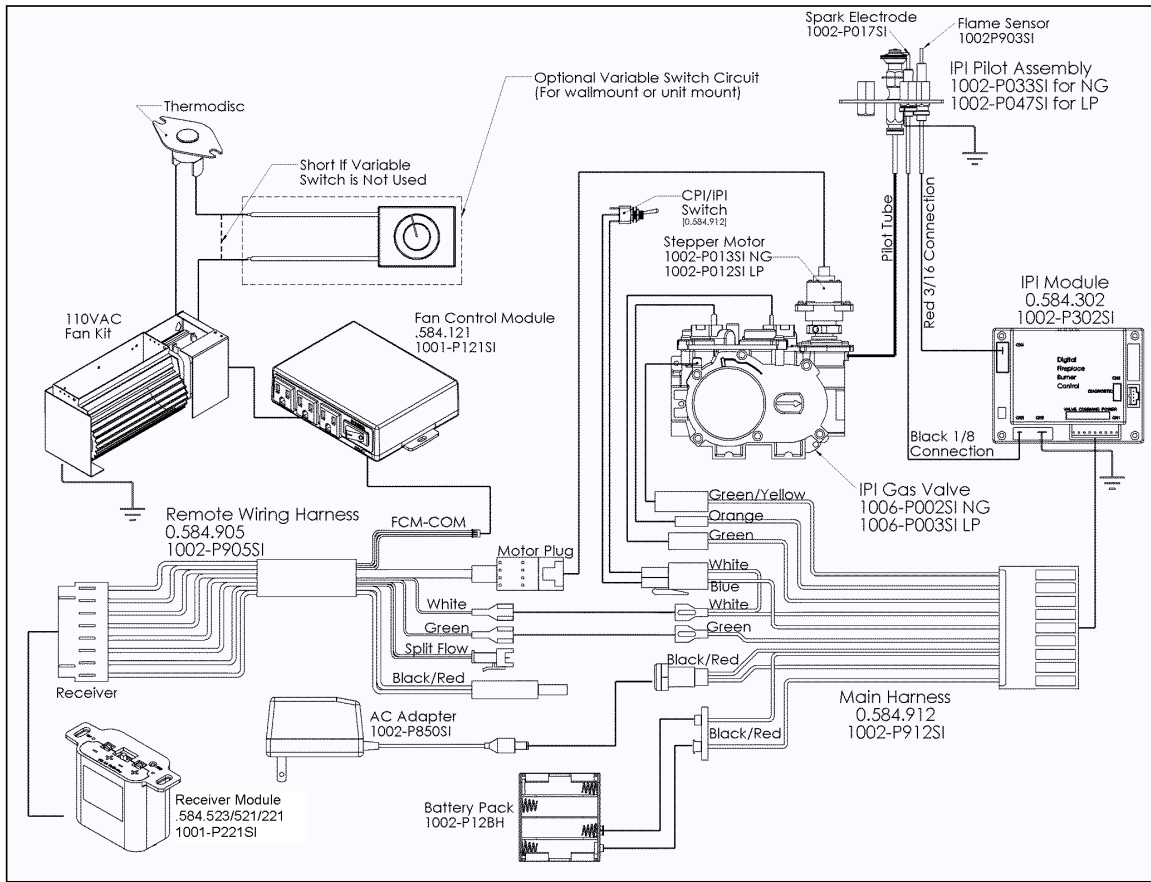
IPI System EGTM



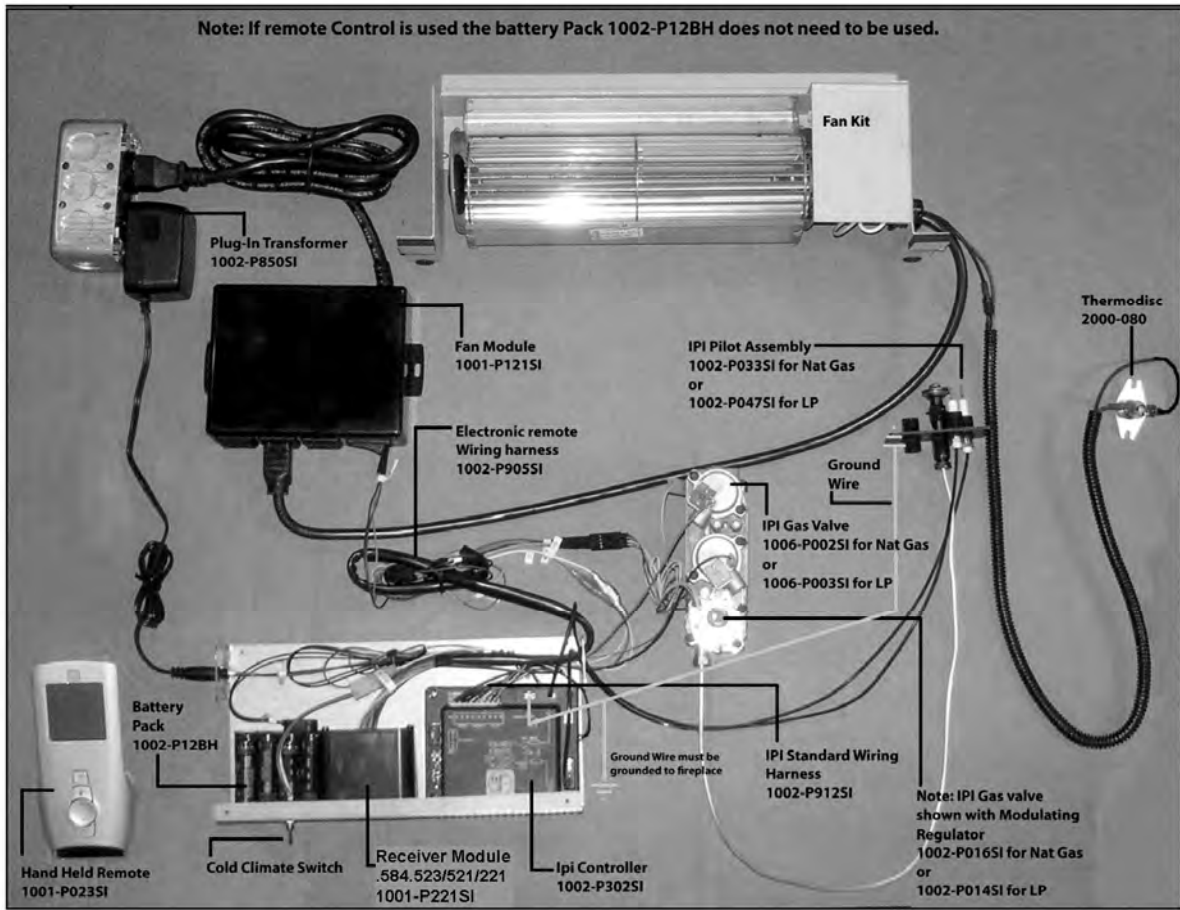
Millivolt System GTM



*In the U.S.A. Thermostats are not permitted for Vented Gas Fireplaces (ANSI Z21.50b-2009 -Decorative).



Configuration #3: Remote ON/OFF, variable HI/LO, and fan capabilities. Refer to the fan installation/removal section for fan installation.



Electronic Ignition Lighting Instructions

WARNING

If you do not follow these instructions exactly, a fire or explosion may result causing property damage, personal injury or loss of life.

Always light the pilot whether for the first time or if the gas supply has ran out with the glass door opened or removed.



FOR YOUR SAFETY READ BEFORE LIGHTING:

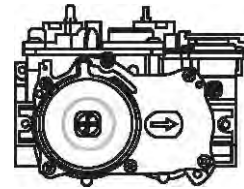
- A. This fireplace is equipped with an ignition device which automatically lights the pilot. Do not try to light by hand.
- B. Before operating smell all around the fireplace area for gas and next to the floor because some gas is heavier than air and will settle on the floor.
- C. Do not use this fireplace if any part has been under water. Immediately call a qualified service technician to inspect the fireplace and replace any part of the control system and any gas control which has been under water.

WHAT TO DO IF YOU SMELL GAS:

- Turn off all gas to the fireplace.
- Open windows.
- Do not try to light any appliance.
- Do not touch any electric switch; do not use any phone in your building.
- Immediately call your gas supplier from a neighbor's phone. Follow the gas supplier's instructions.
- If you cannot reach your gas supplier, call the fire department.

LIGHTING INSTRUCTIONS

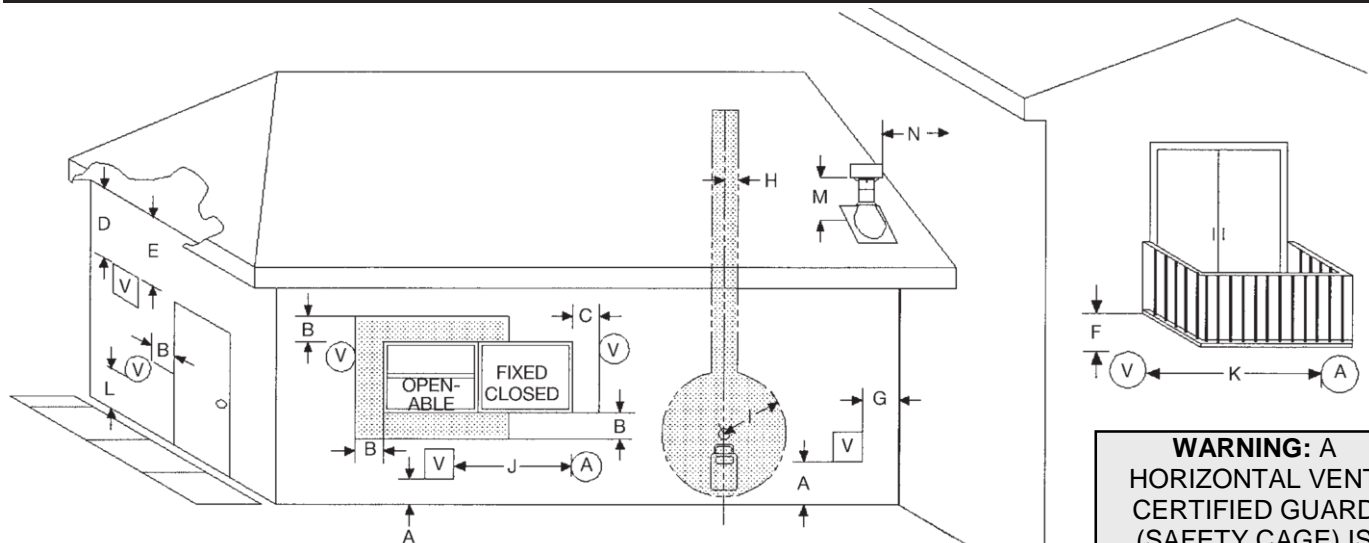
1. Stop! Read the above safety information on this label.
2. Remove batteries from receiver, and/or Battery Backup Pack.
3. Turn off all electric power to the fireplace.
4. This fireplace is equipped with an ignition device which automatically lights the pilot. Do not try to light the pilot by hand.
5. Open the glass door.
6. Turn manual shutoff valve clockwise  to off (Located behind the access panel).
7. Wait five (5) minutes to clear out any gas. If you smell gas including near the floor, **STOP!** Follow "B" in the above safety information on this label. If you don't smell gas go to the next step.
8. Turn manual shutoff valve counter-clockwise  to on.
9. Close the glass door.
10. Turn on all electric power to the fireplace and re-install batteries into the Transmitter/Receiver, and/or Battery Backup Pack.
11. Turn "On" Switch that operates the Main Burner. If using a Remote Control refer to Remote Control Operation Manual for activation.



TO TURN OFF GAS

1. Turn off all electric power to the fireplace if service is to be performed, including removing batteries from Remote Transmitter/Receiver and/or Battery Backup Pack.
2. Access door inside the firebox must be removed to access the manual shutoff valve.
3. If alternate shut-off valve was installed it can be shutoff instead of going through the fireplace to access the fireplace shut off valve.

Vent Termination



- Area Where Terminal Not Permitted.
- Air Supply
- Measure to edge of the Termination Plate
- Measure to edge of the Round Termination

Notes:
 1) Clearances are to the edge of the terminal plate. Add 6-3/4" to clearances to arrive at centerline.
 2) Local codes or regulations may require different clearances.

WARNING: A HORIZONTAL VENT CERTIFIED GUARD (SAFETY CAGE) IS AVAILABLE WHEN REQUIRED BY LOCAL CODES.

- A. Clearance above grade, veranda, porch, deck, or balcony 12 inches (30cm) minimum.1
- B. Clearance to window or door that may be opened. 12 inches (30cm) minimum for appliances 100 000 Btuh (30 kW) and lower, in Canada. 9 inches₂ (23cm) for appliances 50 000 Btuh and lower, in USA.
- C. Clearance to permanently closed window minimum 12 inches (30cm) recommended to prevent condensation on window, in Canada. 9 inches₂ (23cm) for appliances 50 000 Btuh and lower, in USA.
- D. Vertical clearance to ventilated soffit located above the termination within a horizontal distance of 2 feet (60cm) from the center line of the termination. 18 inches (46cm) minimum.₅
- E. Clearance to unventilated soffit 12 inches (30cm) minimum.
- F. Clearance under veranda, porch, deck or balcony 12 inches₄ (30cm) minimum.₄ US₅
- G. Clearance from a perpendicular inside wall or outer corner to the edge of the vent terminal plate is 3" (minimum).
- H. Clearance to each side of center line extended above meter/regulator assembly 3 feet (91cm) within a height 15 feet (4.5m) above the meter/regulator assembly.
- I. Clearance to service regulator vent outlet 3 feet (91cm) minimum.₁ US₅
- J. Clearance to non-mechanical air supply inlet to building or the combustion air inlet to any other appliance: In Canada, 6 inches (15cm) for appliances ≤10,000 Btuh (3kW), 12 inches₁ (30cm) minimum for appliances >10,000 Btuh (3kW) and ≤100,000 Btuh (30kW), 36 inches (91cm) for appliances >100,000 Btuh (30kW). In the USA, 6 inches₂ (15cm) for appliances ≤10,000 Btuh (3kW), 9 inches (23cm) for appliances >10,000 Btuh (3kW) and ≤50,000 Btuh (15kW), 12 inches (30cm) for appliances >50,000 Btuh (15kW).
- K. Clearance to a mechanical air supply inlet 6 feet (1.8m) minimum (1), in Canada. In USA, 3 feet (91cm) above if within 10 feet (3m) horizontally(2).
- L. Clearance above paved sidewalk or a paved driveway located on public property 7 feet (2.1m) minimum.₃

- M. Clearance above highest point of exit on roof 18 inches (45cm).
- N. Clearance to perpendicular wall 24 inches (60 cm). (Recommended to prevent re-circulation of exhaust products. For additional requirements check local codes.)
- O. A moisture-exhaust duct shall not terminate within 3 ft (1 m) in any direction of a service regulator or fresh-air intake.

NOTE: Clearances are to the edge of terminal plate, add 6-3/4" to clearances to arrive at center line.
 NOTE: Local Codes or Regulations may require different clearances.

Termination

It is imperative that the vent termination be located observing the minimum clearances as shown. There must not be any obstruction such as bushes, garden sheds, fences, decks or utility buildings within 24" from the front of the termination plate. Do not locate termination where excessive snow or ice build-up may occur. Be sure to check vent termination area after snow falls and clear to prevent accidental blockage of venting system. When using snow blowers, make sure snow is not directed towards vent termination area. Venting terminal shall not be recessed into a wall or siding. If finishing the outside wall with vinyl or wood siding it is recommended that a Siding Shield be installed, Part Number ZDVSSLR.

1. In accordance with the current CSA B149.1, Natural Gas and Propane Code.
2. In accordance with the current ANSI Z223.1/NFPA 54, National Fuel Gas Code.
3. A vent shall not terminate where it may cause hazardous frost or ice accumulations on adjacent property surfaces.
4. Permitted only if veranda, porch, deck, or balcony is fully open on a minimum of two sides beneath the floor.
5. Clearance in accordance with local installation codes and the requirements of the gas supplier.

General Vent Installation Information

This gas appliance is approved to be vented either through the side wall or vertically through the roof. Only Kingsman Flex (Z-Flex) Venting Kits and components specifically approved and LABELED for this stove may be used. This appliance is also approved for use with 5x8 M&G-Duravent Direct Vent system (Model DV-GS Series), BDM Pro Form Direct Vent, Ameri-Vent Direct Vent Pipe System, ICC Excel Direct, Metal Fab Sure-Seal DV and Selkirk Direct Temp.

RIGID OR HARD PIPE

When using 5x8 M&G-Duravent, Ameri-Vent pipe, BDM Pro Form Direct Vent, ICC Excel Direct, Metal Fab Sure-Seal DV and or Selkirk Direct Temp a 5x8 M&G-Duravent hard pipe adapter must be used (**part # Z58DFA**). Follow installation instructions provided by M&G Duravent/Ameri-Vent/Selkirk Direct Temp, ICC Excel Direct, and Metal Fab Sure-Seal DV for installation of pipe and adhere to the clearance to combustibles provided in this manual. Apply a bead of Mill Pac high temp sealant to all joints of pipes, adapters and termination, when using Kingsman Flex (Z-Flex) venting and 5x8 M&G-Duravent venting.

NOTE: Increase framing depth by one inch when using hard pipe.

FLEX PIPE VENTING

Kingsman Flex pipe is shipped in unexpanded length. When installing pipe expand the lengths. Pipe can be expanded to twice their lengths e.g. 4ft to 8ft. Fully expand pipe and cut off excess. Do not use more than 2 couplers to extend short pipes. Single sections are preferred in an installation attaching at the fireplace and termination.

Place the spring spaces provided approximately every two feet to stabilize 5" flex in the center of 8" flex. When forming bends place spring in bend or before and after. (See Fig. 1). Horizontal runs require support metal straps every 2 feet. In offset installation support straps should be used to stabilize pipe.

Expand 5" and 8" flex pipe to the point that the 8" protrudes approximately 2 to 3 inches past outer wall and the 5" flex protrudes approximately 2 to 3 inches past the 8" flex. (See Fig. 1). Attach the 5" pipe to the termination first and secure with sealant and screws then attach the 8" flex to the termination with caulking and screws. Termination may then be moved back to the outer wall and attached to home screwing into the framing. Silicone around termination to waterproof. If siding shield is going to be used attach this using same attaching hole as the top of termination after termination has been caulked for waterproofing.

Use Hi Temp Sealant

Apply a bead of Mill Pac high temp sealant to all joints and use four screws to secure each pipe at fireplace, termination and any joint if joining any sections of pipe.

FRAMING DIMENSION

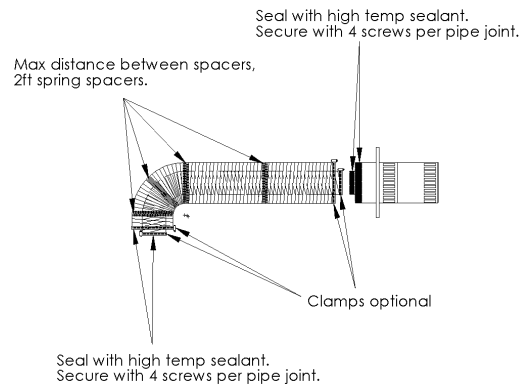
Combustible Wall

Cut a 12" hole through exterior wall and frame as shown below.

Non Combustible Wall

Cut or drill 9" diameter hole.

Figure 1



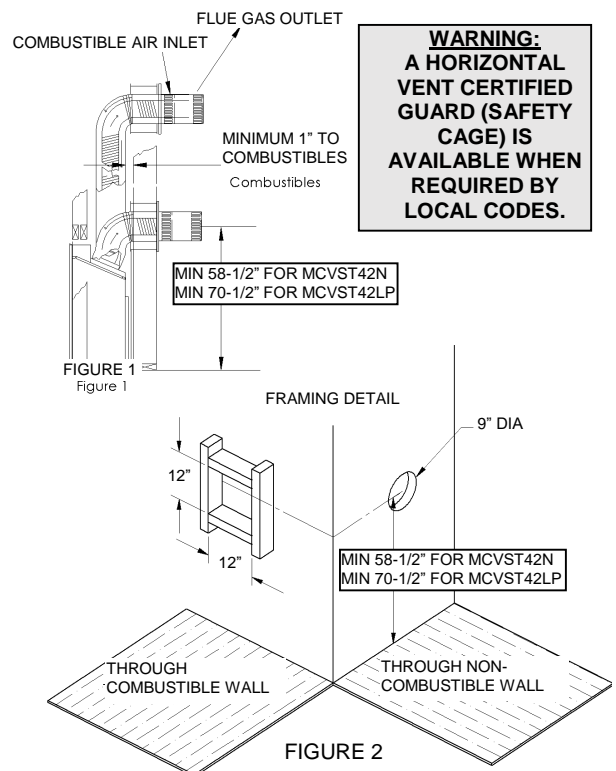
NOTE: It is critical to the proper and safe operation of this fireplace that on all connections the inner liner and the outer casing are both caulked with liberal amounts of sealant. Do not use any kind of tape or silicone other than that recommended in this manual, Mill Pac Sealant

⚠ WARNING: DO NOT mix parts from different systems unless stated in the manual.

Installation of Side Wall Venting

- To determine the minimum distance from the bottom of fireplace to center of vent see the **Framing Your Gas Fireplace** section. Cut a hole through the wall allowing for a 12" x 12" (inside diameter) in combustible walls for wall thimble or a 9" diameter hole in a non-combustible wall (See Figure 2).
- For the clearance to combustibles above a 90 degree bend see **Clearance to Combustibles** section.
- Select the approximate vent length, precise measurements are not needed as your flex pipe can be expanded to twice its shipped length for ease of installation
- To install wall thimble center over 12" x 12" (inch) framing from both sides of wall and secure. Route flex vent pipe through wall thimble (See Figure 1).
- Before joining pipes, apply a bead of high temperature sealant (Mill Pac) to end of pipe. First attach the five inch (5") flue pipe to the vent termination with sealant, and secure with the four screws provided. At this time make sure the spacer springs are attached to the (5") flex pipe as required. Then attach the eight inch (8") pipe by the same method.
- Mount vent termination and seal to wall using caulking around the wall thimble to weather proof. After installing the vent termination, double check to make sure the pipe extends properly through wall thimble and into vent termination.
- Before joining pipes to fireplace flue, apply a bead of high temperature sealant (Mill Pac) to end of pipe. First attach the five inch (5") flue pipe to fireplace with sealant, and secure with the four screws provided. At this time verify that the spacer springs are attached properly to the (5") flex pipe as required. Then attach the eight inch (8") pipe by the same method.
- Support horizontal pipes every two (2) feet (61 cm) with metal strap bands. Re-check fireplace to make sure it is level and properly positioned and secured.
- Support vertical pipes to maintain a minimum of 1" or greater clearance to combustibles with metal strapping bands.
- If finishing the outside wall with vinyl or wood siding it is recommended that a Siding Shield be installed, Part Number ZDVSSLR.

Note: Vent Termination must not be recessed into wall or siding.



⚠ WARNING: A HORIZONTAL VENT CERTIFIED GUARD (SAFETY CAGE) IS AVAILABLE WHEN REQUIRED BY LOCAL CODES.

Venting Routes And Components

Venting Routes and Components

Since it is very important that the vent system maintain its balance between the combustion air intake and the flue gas exhaust, certain limitations as to vent configurations apply and must be strictly adhered to.

The table showing the relationship between vertical and horizontal side wall venting will help to determine the various vent lengths.

The maximum horizontal run is 20 ft/6.1 m when the vertical run is 7 ft. / 2.1m (Figure #2). Note: 1/4" vertical rise is required for every 12" of horizontal run.

The maximum number of 45 degree bends per side wall installation is two (2) in the horizontal run and then you must reduce the length of the horizontal by 18 inches for each 45 degree bend.

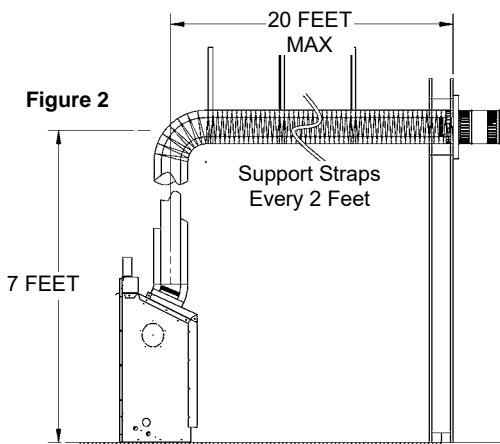
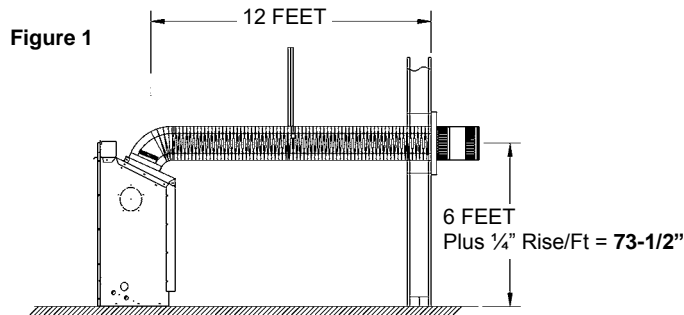
The maximum vertical run is 43 ft. / 13.1meters.

Special Note: For each 45 degree bend installed in the horizontal run, the length of the horizontal run must be reduced by 18" (45cm). This does not apply if the 45 degree bends are installed on the vertical part of the vent system.

Example: If according to the table, the length of the horizontal run is 10 feet, and two 45 degree bends are required, the horizontal run length must be reduced to 7 feet.

2 additional 90° bends or equals are allowed. The horizontal run must be reduced by 36" per each 90° bend, or 18" per each 45° bend.

IMPORTANT: Always locate the fireplace in such a way that a minimum of offsets and/or horizontal runs are required. 1/4" vertical rise is required for every 12" horizontal run.



How to Use the Horizontal Vent Table

1. Determine the height of the system and the number of bends required.
2. Having determined the vertical distance determine the maximum horizontal section allowed.
3. Vent table has been established for 90° horizontal/vertical runs. With use of flex pipe distance not having 90° bends will not fall into vent table standards. See Fig. B.

-Horizontal Venting Table from Bottom of Fireplace-

For venting to a maximum of 43ft (13.1 meters).

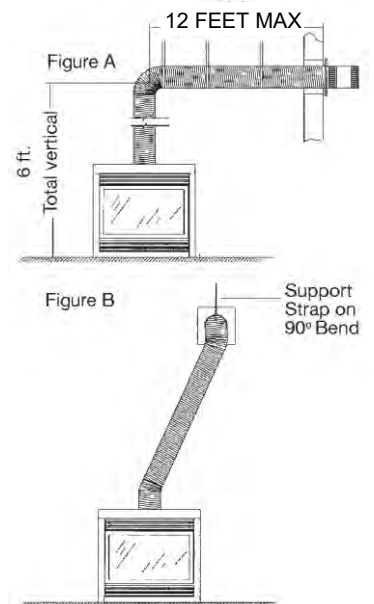
Total Vertical		Max Total Horizontal	
Feet	Meters	Feet	Meters
58-1/2" (MCVST42N)	1.3	5	1.5
70-1/2" (MCVST42LP)	1.6	8	2.4
6	1.8	12	3.7
7	2.1	20	6.1
8	2.4	20	6.1
9	1.8	20	6.1
10	3.0	20	6.1
11	3.4	20	6.1
12	3.7	20	6.1
13	4.0	20	6.1
14	4.3	20	6.1
15	4.6	20	6.1
20	6.1	20	6.1
25	7.6	15	4.6
30	9.1	10	3.0
43 (Max)	13.1	0	0

Example A:

If the vertical dimension from the floor of the fireplace is 6ft, the horizontal run to the wall flange of the vent termination must not exceed 12ft.

NOTE: The final location of the fireplace must be such that the horizontal vent dimensions fall within those stated on the graph. The Maximum Vertical vent run is 43ft. (13.1 meters).

Important: Minimum clearance between vent pipes and combustible materials is 1 inch (25mm).

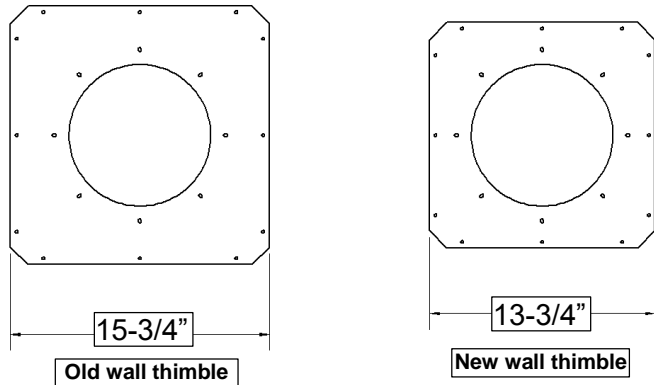


For Propane Horizontal installations the venting must be an additional one foot above the minimum vertical rise off the flue before going horizontal.

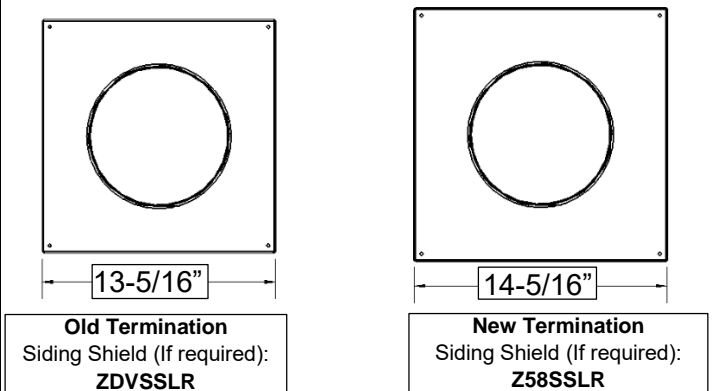
Z58HT Horizontal Installations- Wall Thimble Sizing / Termination Sizing-

NOTE: If you are installing 5/8 Termination in an existing wall, measure diameter of both Wall Thimble and Termination.

Wall Thimble mount plate comes in two sizes:

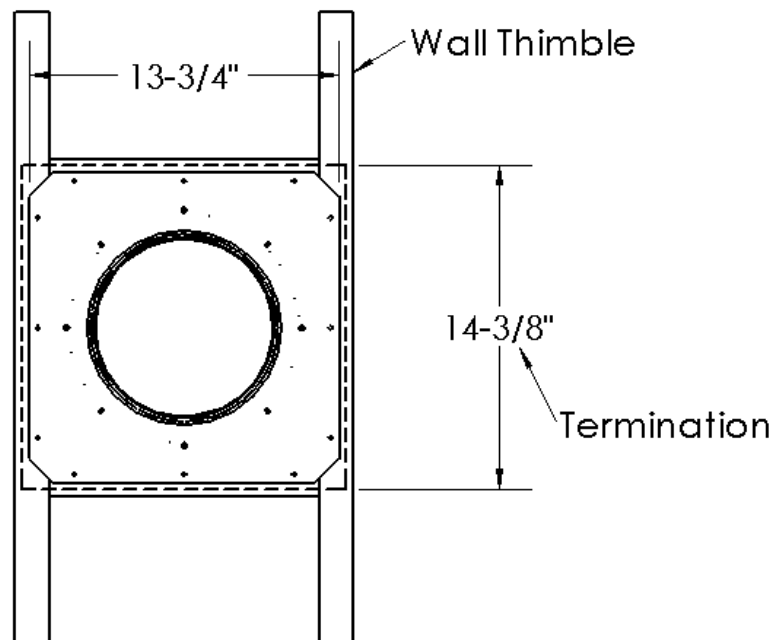


Termination Plate comes in two sizes:



In the future, Wall Thimble mount plate will be smaller than Termination Plate as a running change has been implemented.

New Wall Thimble New Termination

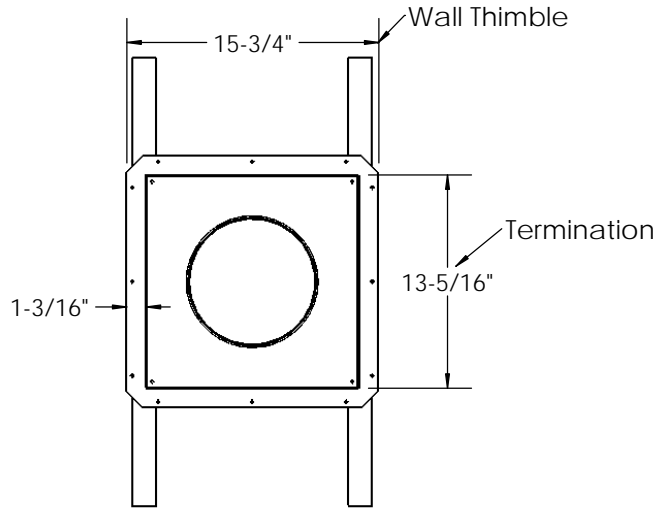


Wall Thimble may need to be trimmed on outside mount plate to be completely hidden by termination.

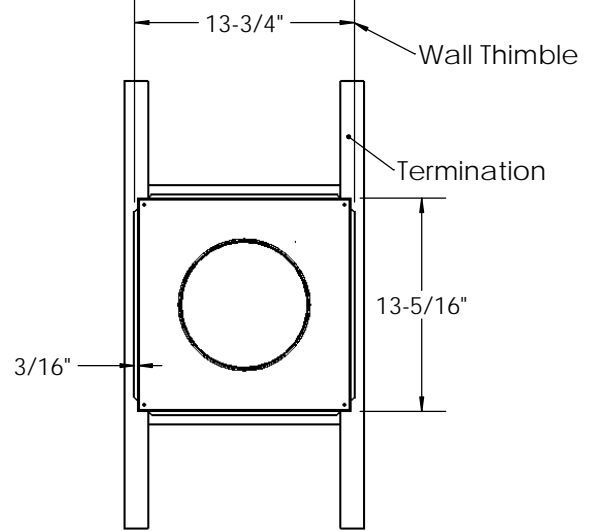
See next page for possible combinations.



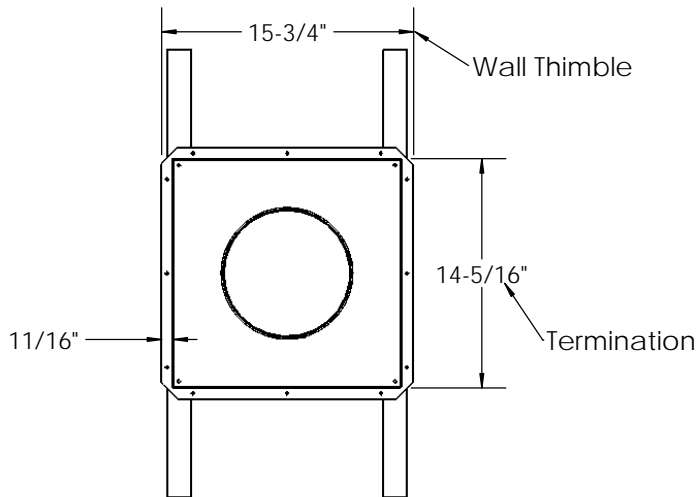
**Old Wall Thimble
Old Termination**



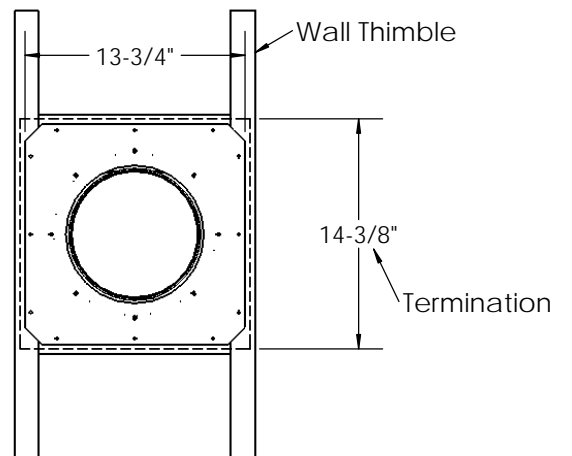
**New Wall Thimble
Old Termination**



**Old Wall Thimble
New Termination**

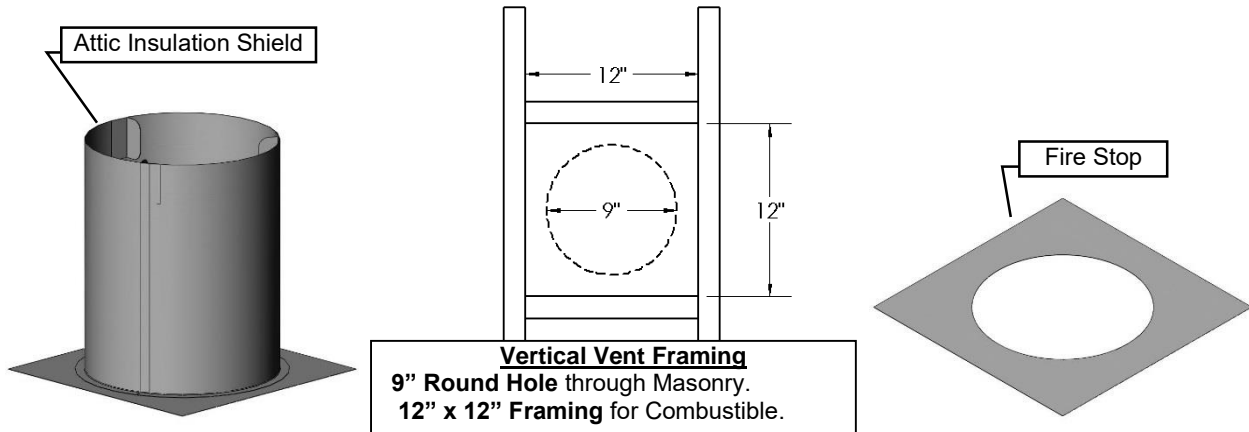


**New Wall Thimble
New Termination**



Venting Straight Up Through Roof

An Attic Insulation Shield must be installed where the vent passes from a lower living space into an attic space where the chimney is not enclosed. It is designed to keep insulation materials away from the chimney. When installing the Attic Insulation Shield where the chimney passes from a living space to an attic space, install the shield from below and nail in place using 1" spiral nails. A fire stop must be installed on the bottom side of the joists when passing through a ceiling or floor. If an attic insulation shield is to be used, a fire stop is not required.



Using Flex Bends

Avoid cutting joists by offsetting the flex pipe.

When using 45° bends a bend support is required directly above the highest bend.

When installing a bend in a joist area a minimum of 4" clearance to combustibles to the top of bend must be maintained, sides and bottom of pipe, a 1" clearance to combustibles must be maintained. If running horizontal through an area a 1-1/2" minimum clearance to the top of the horizontal pipe must be maintained.

Maximum vertical height of system should not exceed 43 feet.

Use roof support and rigid pipe at roof level. Flex pipe is not permitted within roof support.

When penetrating the roof a rigid galvanized pipe must be used. Attach flex pipe to the rigid pipe with high temperature sealant, secure with four screws assuring the flex pipe and rigid pipe are secured. Attach rigid pipe to termination with sealant and screw with 4 sheet metal screws. The inner flex pipe must be secured with 4 screws which must penetrate both the flex pipe and inner section of termination. Attach 8" rigid pipe to 8" termination with sealant and screw with 4 sheet metal screws.

Vertical termination clearance is 18" [45.7cm] above the roof, measured from highest point of exit on the roof line.

Support vertical pipes to maintain minimum of one inch or greater clearances to combustibles.

Roof Flashing

Ensure that you have the proper roof flashing by checking your roof pitch using a level and two rulers, or by using a roof pitch card. Slide a Roof Flashing suitable to your roof slope over the vent. Place the edge of the flashing plate that will be on the higher part of the roof slope under the shingles. Both the sides and the lower edge lay on top of the shingles.

NOTE: At the top edge of the flashing plate, lift the shingles and nail the plate to the roof deck, then cement the shingles to the plate with a suitable waterproof mastic.

Ensure that the chimney is plumb. Square up the flashing plate and nail in place to the roof deck. Use 12 nails with neoprene washers or cover the heads with a suitable waterproof mastic. Wrap the storm collar around the vent above the flashing. Secure the ends together loosely with nut and bolt supplied. Slide the collar down the vent until it comes in contact with the flashing. Tighten the bolt and seal the Storm Collar to the vent with a suitable waterproof non-combustible mastic.

The flashing and storm collar should be painted to match the roof shingles. This will extend its life and improve the appearance. Clean, prime and paint with suitable painting products.

Vertical Venting in Cold Climates

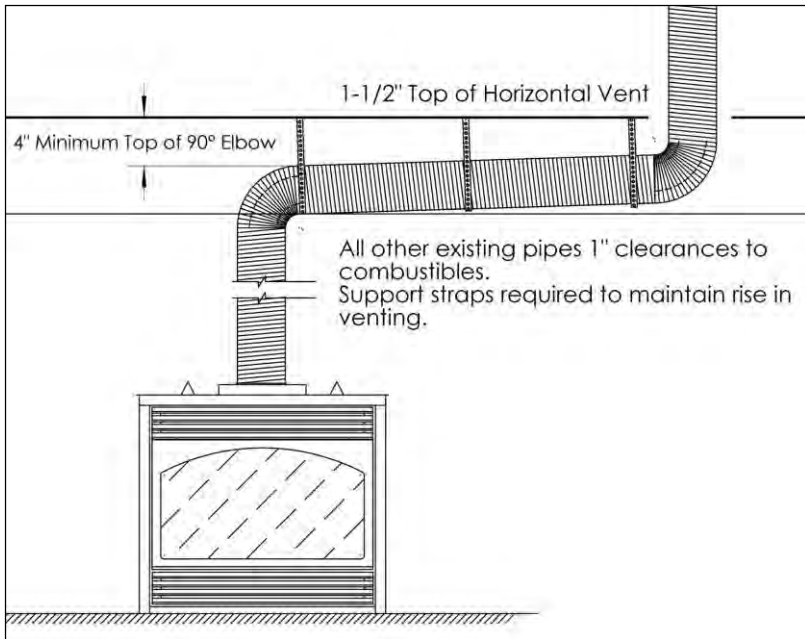
In cold climate conditions where temperatures go below -10 degrees Celsius or 14 degrees Fahrenheit, we recommend that the chase be insulated and where the vent pipe enters into the attic space that the pipe be wrapped with an insulated Mylar sleeve. This will increase the temperature of the vent and help the appliance to vent properly in cold weather conditions.

It is also important in vertical vented direct vent appliances that the appliance be operated daily during the winter months as this will help stop the termination from freezing up.

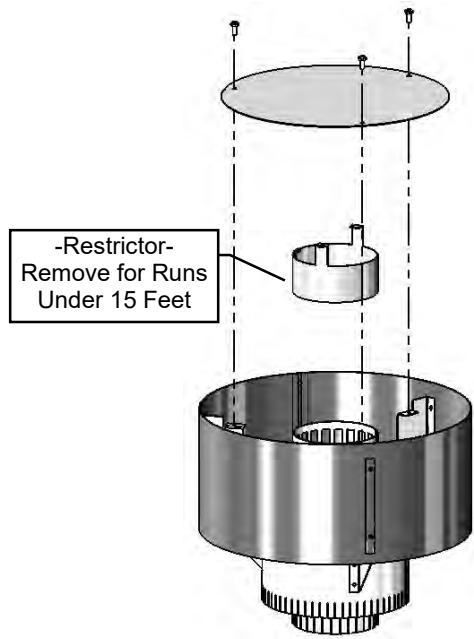
We recommend using a thermostat set at room temperature to allow the unit to cycle.

For IPI models it may be necessary to set the appliance to Standing Pilot mode to maintain heat in the cavity. The purpose of this procedure is to prevent cold air from penetrating the chimney and then onto the living space. Therefore, when the internal temperature is slightly elevated the fireplace is able to freely exhaust its combustion and hence making it easier to start up.

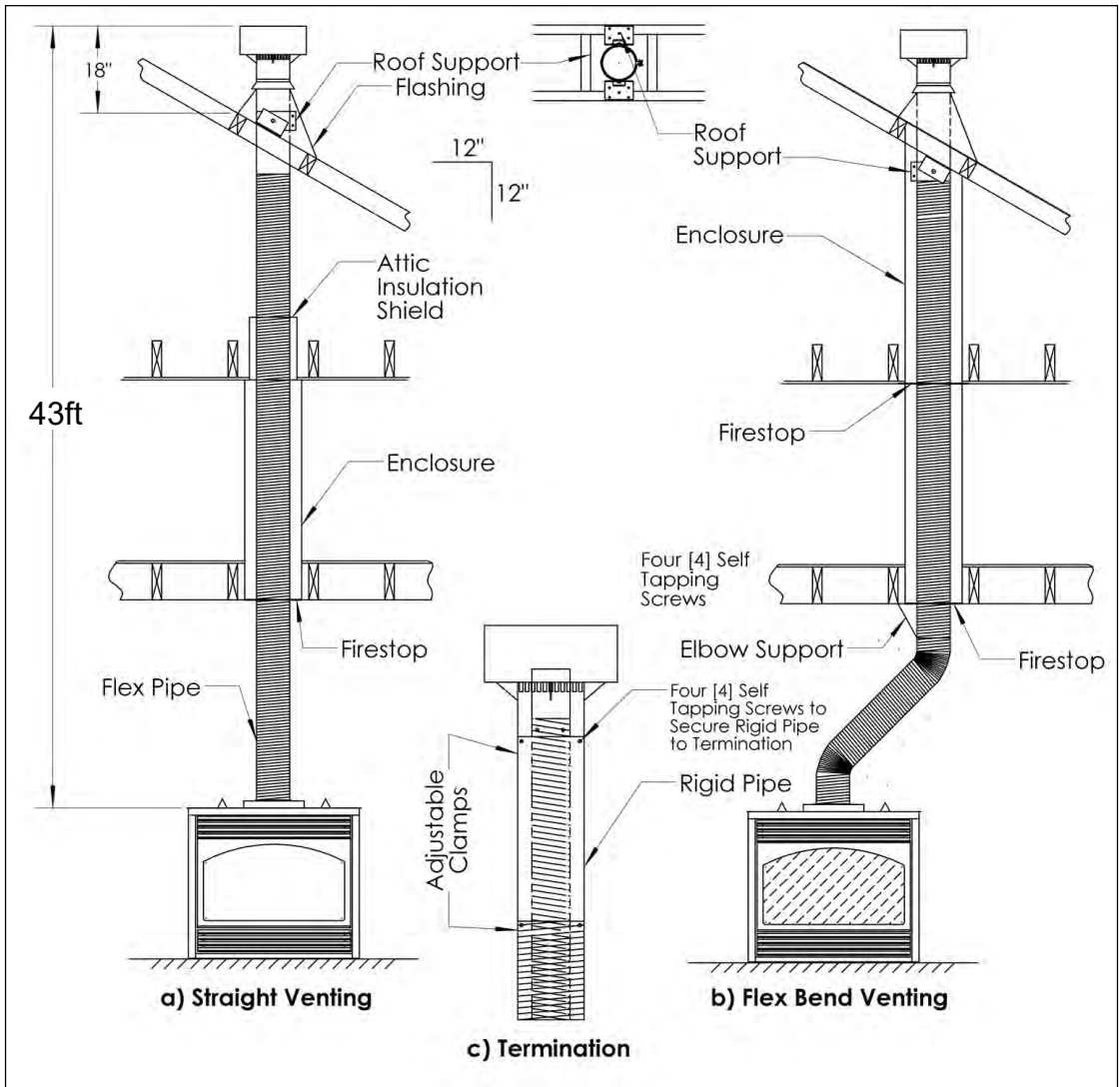
-ALSO SEE DIAGRAMS ON FOLLOWING PAGE-



Clearances in horizontal venting.



Z58VT



Straight-through roof support configuration; b) Flex bend configuration; c) Termination mounting

Approved for Power Vent PVH58

The PVH58 Horizontal Power Vent is approved for the following models only:

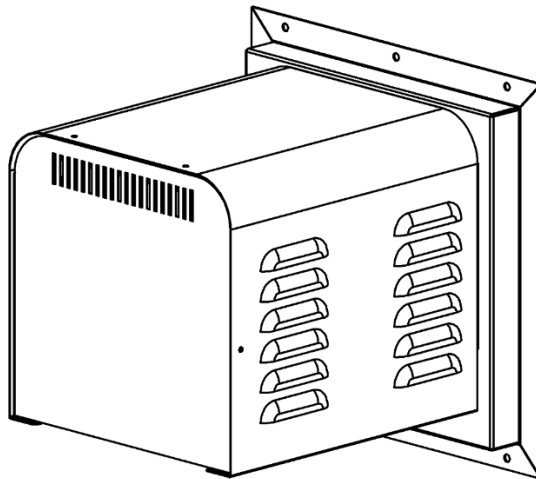
MDV31, MDV39, MQRB3632, ZDV3622, MQZDV3622, ZDVRB3622, HBZDV3624, HBZDV3628, HBZDV3632, MQHBZDV3636, HBZDV4224, HBZDV4228, HBZDV4232, MQHBZDV4236, HBZDV4740, MQHBZDV4736, MQRB4436, MQRB5143, MQRB6961, ZRB46, ZCV39, ZCV42, MCVP42, MCVST42, MQZDV3927*, MQZDV4634*

***NOTE: For MQZDV3927 and MQZDV4634, Power Vent Control Module (PVCN) must be placed outside of Fireplace.**

The PVH58 Horizontal Power Vent Termination is intended for use where standard venting configurations are not possible.

NOTE: MODELS EQUIPPED WITH MILLIVOLT/ STANDING PILOT IGNITION: Downward vertical vent runs are **NOT** permitted.

NOTE: MODELS EQUIPPED WITH INTERMITTENT PILOT IGNITION: Downward vertical vent runs are permitted, however, Cold Climate Switch (Standing Pilot Mode) must not be used.



PVH-58 Maximum / Minimum Vent Lengths:

Maximum Vent Length is 125 ft plus six 90° elbows with Air Intake Shutter fully closed. Termination must not be below unit.

This power vent can be installed up to 3ft below the installed fireplace on runs less than 100ft and not more than four 90° elbows.

Minimum Vent Length is 3ft horizontal plus minimum vertical rise with Air Intake Shutter fully open.

Refer to your appliance manual for Minimum Vertical Rise before First 90° elbow (Measured from bottom of appliance to center of vent pipe) to avoid overheating of vent pipe.

Refer to PVH58 Manual for proper installation and use.



PVH58 Parts List

PVH58 HORIZONTAL POWER VENT TERMINATION:

Listed for Canada and USA

NUMBER	DESCRIPTION
--------	-------------

MCVP42 & MCVST42 VENTING AND VENTING ADAPTERS

-For fireplaces to be converted to hard pipe (M&G-Duravent-DirectVent Pro, etc.) at the fireplace:

Z58DFA	M&G-Duravent Fireplace Adapter
--------	--------------------------------

-For Power Vent installations where flex pipe will be used up to the Power Vent unit:

Z58PVA	Flex Connector Set- ZDV5FC (5" Flex Connector), ZDV8FC (8" Flex Connector)
--------	--

* One 12" section of hard pipe must be connected directly to the Power Vent before any adapters are connected.

Order the appropriate lengths of venting (see below).

Z58FK5	Flex Kit (5" & 8" Dia.) x 2.5' (Unexpanded) 5' Expanded
--------	---

Z58FK8	Flex Kit (5" & 8" Dia.) x 4' (Unexpanded) 8' Expanded
--------	---

Z58FK20	Flex Kit (5" & 8" Dia.) x 10' (Unexpanded) 20' Expanded
---------	---

*Kits are complete with spring stand-offs & silicone.

ZDV5FC	Flex Connector 5" Diameter
--------	----------------------------

ZDV8FC	Flex Connector 8" Diameter
--------	----------------------------

ZDV4SS	Spring - Standoff Spacer for Inner Pipe
--------	---

PVH58 TERMINATION COMPONENT PARTS:

58PVH-230S	Blower Motor and Housing Assembly
------------	-----------------------------------

58PVH-230F	Blower Motor and Housing Assembly
------------	-----------------------------------

58PVH-P118	Gasket
------------	--------

58PVH-P9372	Vacuum Switch
-------------	---------------

58PVH-P119	Silicone Tubing for Vacuum Switch
------------	-----------------------------------

58PVH-P3211	3/4" K.O. Bushing
-------------	-------------------

58PVH-WTA	Wall Thimble Assembly
-----------	-----------------------

PVH20H	Main Wiring Harness Assembly – Extension Harness (20ft)
--------	---

PVC58MV Power Vent Control Module – Millivolt Box

58PVH-P124	Double Pole Switch
------------	--------------------

58PVH-P421	Timer Switch
------------	--------------

PVC58IPI Power Vent Control Module – IPI Box

58PVH-P421	Timer Switch
------------	--------------

58PVH-P156	Relay
------------	-------

58PVH-P487	Relay Socket
------------	--------------

Fireplace Part Numbers

MCVST42N	(Millivolt) Fireplace Decorative rated, NG, Tempered Glass, Safety Screens
MCVST42NH	(Millivolt) Fireplace Heater rated, NG, Ceramic Glass, Safety Screens
MCVST42NE	(IPI) Fireplace Decorative Rated NG, Tempered Glass, Safety Screens
MCVST42NHE	(IPI) Fireplace Heater Rated NG, Ceramic Glass, Safety Screens
MCVST42LP	(Millivolt) Fireplace Decorative Rated LP, Tempered Glass, Safety Screens
MCVST42LPH	(Millivolt) Fireplace Heater Rated LP, Ceramic Glass, Safety Screens
MCVST42LPE	(IPI) Fireplace Decorative Rated LP, Tempered Glass, Safety Screens
MCVST42LPHE	(IPI) Fireplace Heater Rated LP, Ceramic Glass, Safety Screens

Wall Surrounds MCVST42

ZCV42S1BL	Surround - Hearth Mount (44-11/16"W x 38-1/8") Black
ZCV42S1PFBL	Surround – Wide Picture Frame (44-11/16"W x 40-1/8" x 4") Black
ZCV42S2PFBL	Surround - Picture Frame (40-3/16"W x 35-5/8" x 1-5/8") Black
ZCV-TLK	Tile Lip Kit

MCVST42 Options

M42LOG3	Driftwood Log Set- 6 Pcs (Use with GT only)
M42LOG4	Oak Log Set- 8 Pcs (Use with LG only)
VLBIT4	Log Bits - Large Four Piece Kit
VLBIT6	Log Bits - Small Six Piece Kit
MST42GT	Glass Tray- Requires 10LBS Glass
M42LG	Log Grate
42MVB-258	Pilot Shield - for MST42GT & M42LG
ZG5C	Decorative Ember Glass –Bronze 5LB
RBCB1	Cannonballs- Assorted size and colors
ULK3	Universal Light Kit
3927ZDV-P779-1	Bulb 10W 12V 64418 or [Sylvania 58691] (light bulbs NOT covered under Warranty.)
5143-P77912	Lamp Assembly 58mm (light bulbs NOT covered under Warranty.)
3927ZDV-P601	Transformer MET60-1

MCVST42 Options – MQ Dealer Only -

MQ42DD1BL	Heavy Iron Door (42"W x 37-1/2") Black
MQ42DD2BL	Heavy Iron Door (42"W x 37-1/2") Black
MQ42DD3BL	Heavy Iron Door (42"W x 37-1/2") Black
MQ42LOG1	Driftwood Log Set- 8pcs (Use with GT or LG)
MQ42LOG2	Oak Log Set- 7pcs (Use with GT or LG)
MQSTONE	Decorative Stones
MQROCK2	Rock Set Natural

MQROCK3	Rock Set Multi-Color
MQEMBER	Glowing Embers
MQG5W	Decorative Glass 1/2" White 5LB
MQG5A	Decorative Ember Glass Cobalt Blue 5LB
MQG5B	Decorative Ember Glass – Black 5LB
MQG5ZG	Decorative Glass- Zircon Glacier Ice 5LB

Refractory Liners

MST42RLT	Refractory Liner Traditional (Use with LG only)
MST42PL	Porcelain Reflective Liner

Optional Fan Kit / Blower

Z46FK	Fan Kit w/Variable Speed Wall Mount Control (Temperature Sensing)
26IDV-P260	Blower Motor (Replacement)

Child Safety Screens

ZCV42CSS	Child Safety Screen
----------	---------------------

Door Glass

42ZCV-310	Ceramic Glass- for Heater Rated Units
42ZCV-311	Tempered Glass- for Decorative Units
46ZRB-123A	Door Latch Assembly

Replacement Burner Assembly / Burner

42MST-200A	Fireplace Burner
42MST-BLPSI	Burner Assembly- Propane c/w Valve System (MCVST42LP)
42MST -BLPSIH	Burner Assembly- Propane c/w Valve System (MCVST42LPH)
42MST -BNGSI	Burner Assembly- Natural Gas c/w Valve System (MCVST42N)
42MST-BNGSIH	Burner Assembly- Natural Gas c/w Valve System (MCVST42NH)
42MST-BLPSIE	Burner Assembly- Propane c/w Valve System (MCVST42LPE)
42MST-BLPSIHE	Burner Assembly- Propane c/w Valve System (MCVST42LPHE)
42MST-BNGSIE	Burner Assembly- Natural Gas c/w Valve System (MCVST42NE)
42MST-BNGSIHE	Burner Assembly- Natural Gas c/w Valve System (MCVST42NHE)

Conversion Kit

42MST-CKLP	LP Conversion Kit for MCVST42 Millivolt
42MST-CKLPH	LP Conversion Kit for MCVST42H Millivolt
42MST-CKNG	NG Conversion Kit for MCVST42 Millivolt
42MST-CKNGH	NG Conversion Kit for MCVST42H Millivolt
42MST-CKLPI	LP Conversion Kit for MCVST42 IPI
42MST-CKLPHI	LP Conversion Kit for MCVST42H IPI
42MST-CKNGI	NG Conversion Kit for MCVST42 IPI
42MST-CKNGHI	NG Conversion Kit for MCVST42H IPI

Baffle Conversion Kit

42MST-BCKNG	NG Heater / upgrade Kit for MCVST42N / NE to MCVST42NH /NHE
42MST-BCKLP	LP Heater / upgrade Kit for MCVST42LP / LPE to MCVST42LPH /LPHE

Accessories

Z1MT	Thermostat Millivolt Wall Mount
Z80PT	Thermostat Programmable Digital Millivolt Wall Mount (1F80-40)

Valve System Parts / Millivolt

1000-P136WR	Generator / Thermopile
1001-P069SI	Electrode Sparker 915.069 TC SIT

1001-P216SI	Thermocouple 290.216 TC SIT
1001-P165SI	Orifice Pilot NG 977.165 TC SIT
1001-P167SI	Orifice Pilot LP 977.167 TC SIT
1001-P633SI	Valve Nova LP Hi/Lo 0820651
1001-P634SI	Valve Nova NG Hi/Lo 0820652
1001-P713SI	Pilot Burner LP 199.713 TC SIT
1001-P714SI	Pilot Burner NG 199.714 TC SIT

Remote Control / Millivolt

GFRC	Remote Control Millivolt / IPI – On/Off
GTRC	Remote Control Millivolt - Thermostat
GTMRCN	Remote Control Millivolt – Thermostat/Modulating - NG
GTMRCP	Remote Control Millivolt – Thermostat/Modulating - LP
GTFRCN	Remote Control Millivolt – Thermostat/Modulating/Fan - NG
GTFRCP	Remote Control Millivolt – Thermostat/Modulating/Fan - LP

Electronic Ignition/Remote Control IPI

EGTRC	Remote Control IPI (Thermostat)
EGTMRCN	Remote Control IPI (Thermostat/Modulating - NG)
EGTMRCP	Remote Control IPI (Thermostat/Modulating - LP)
EGTFRCN	Remote Control IPI (Thermostat/Modulating/Fan - NG)
EGTFRCP	Remote Control IPI (Thermostat/Modulating/Fan - LP)

Electronic Ignition Replacement Parts IPI

1006-P002si	Valve IPI (NG; Hi/Lo)
1006-P003si	Valve IPI (LP; Hi/Lo)
1002-P047si	Pilot Assembly (LP)
1002-P033si	Pilot Assembly (NG)
1002-P017si	Spark Electrode (24")
1002-P903si	Electrode Flame Sensor (24")
1002-P302si	IPI Ignition Board
1002-P850si	AC Wall Adapter
1002-P12BH	Battery Pack
1002-P912si	Wiring Harness
1001-P166si	Orifice Pilot (NG)
1001-P168si	Orifice Pilot (LP)
1002-P013si	Stepper Motor (NG)
1002-P012si	Stepper Motor (LP)
1002-P016si	Hi/Lo Regulator (NG)
1002-P014si	Hi/Lo Regulator (LP)

Miscellaneous Parts

1000-150GE	Silicone GE Red IS806 #736
1000-150MP	Hi-Temp Millpac Sealant 840099
1000-214	Piezo-Igniter 1244-17 MARK 21
1000-215	Pal Nut (18MMX1.5MM)BLK (1364.03)
1000-218	Switch Ivory (1451/001)
1000-227	Cover Ivory (86001/001)
1000-255	Orifice Brass - (State Size)
2000-080	Thermodisc 2450 (For Blower)
1000-306	Thermalcord - Adhesive Back for Door Frame
1000-085	Control Variable Speed KBWC-13BV
FP15GC	Stainless Steel Gas Connector

Kingsman Fireplace Venting

Z58DFA	M&G-Duravent Adapter (5 x 8)
Z58VT	Vertical Vent Termination
Z58HT	Horizontal Vent Termination
FDVHSCU	Safety Cage for Horizontal Termination
Z58AIS	Attic Insulation Shield
Z58AIS24	Attic Insulation Shield
ZDVVOS	Offset Support
Z58FS	Firestop Spacer
Z58RS	Roof Support
Z58SS	Siding Shield
Z58WT	Wall Thimble (Horizontal Venting)
Z58WTS	Wall Thimble Shield (Required in units with enclosures lower than 73")
ZDVSS	Siding Shield for FDVHT
ZDVSSLR	Siding Shield - Large Return
Z58SSLR	Siding Shield - Large Return
Z58GP	Galvanized Pipe 8" Dia. x 48" (Vertical Installations)
Z58AAF	Flashing 8" c/w Storm Collar (1/12 to 7/12)
Z58AF2	Flashing 8" c/w Storm Collar (8/12 to 12/12)
Z58AF3	Flashing 8" c/w Storm Collar Flat
Z58SC	Storm Collar 8"
Z58FK5	Flex Kit (5" & 8" Dia.) x 2.5' (Unexpanded) 5' Expanded
Z58FK8	Flex Kit (5" & 8" Dia.) x 4' (Unexpanded) 8' Expanded
Z58FK20	Flex Kit (5" & 8" Dia.) x 10' (Unexpanded) 20' Expanded *Kits are complete with spring stand-offs & silicone.
Z58HSK5	Horizontal Round Termination Vent Starter Kit - 5/8" X 5 FT Length, Wall Thimble Shield, Horizontal Vent Termination, Wall Thimble, 60" Flex Pipe, Screws, Mill Pac.
ZDV5FC	Flex Connector 5" Diameter
ZDV8FC	Flex Connector 8" Diameter
ZDV4SS	Spring 4" Standoff Spacer



LIMITED LIFETIME WARRANTY

This Limited Lifetime Warranty applies only while the unit remains at the site of the original installation and only if the unit is installed inside the continental United States, Alaska, Hawaii, and Canada. The warranty applies only if the unit is installed and operated in accordance with the printed instructions and in compliance with applicable installation and building codes and good trade practices.

BASIC ONE YEAR WARRANTY

During the first year after installation, we will provide a replacement for any component part of your unit found to be defective in materials or workmanship, including labour costs. Repair work requires prior approval by Kingsman, labour costs are based on a predetermined rate schedule and any repair work must be done through an authorized Kingsman dealer.

(Excluded Components: Accent Light Bulbs, Gasketing and Paint)

LIMITED LIFETIME WARRANTY

The heat exchanger, combustion chamber and burner of every Kingsman product excluding the Outdoor Firepit are warranted against materials or workmanship during the period the product is owned by the original owner. The part to be replaced must be returned to our distributor in exchange for the replacement part. Any labor, material, freight and/or handling charges associated with any repair or replacement pursuant to this Limited Lifetime Warranty will not be covered by this warranty.

GENERAL TERMS

In lieu of providing a replacement part, we may, at our option, provide the distributor's component purchase price from us or a credit equal to the distributor's component purchase price from us toward the purchase of any new unit which we distribute. If a credit is given in lieu of a replacement part, the rating plate from the unit being replaced must be submitted on a warranty claim, and the unit being replaced must be made available to our distributor for disposition.

In establishing the date of installation for any purpose, including determination of the starting date for the term of this Limited Lifetime Warranty, reasonable proof of the original installation date must be presented*, otherwise the effective date will be based upon the date of manufacture plus thirty (30) days.

We will not be responsible for and you, the user, will pay for: (a) damages caused by accident, abuse, negligence, misuse, riot, fire, flood, or Acts of God (b) damages caused by operating the unit where there is a corrosive atmosphere containing chlorine, fluorine, or any other damaging chemicals (other than in a normal residential environment) (c) damages caused by any unauthorized alteration or repair of the unit affecting its stability or performance (d) damages caused by improper matching or application of the unit or the unit's components (e) damages caused by failing to provide proper maintenance and service to the unit (f) any expenses incurred for erecting, disconnecting or dismantling the unit (g) parts or supplies used in connection with service or maintenance (h) damage repairs, inoperation or inefficiency resulting from faulty installation or application (i) electricity or fuel costs or any increase in electricity or fuel cost whatsoever including additional or unusual use of supplemental electric heat.

We shall not be liable for any incidental, consequential, or special damages or expenses in connection with any use or failure of this unit. We have not made and do not make any representation or warranty of fitness for a particular use or purpose, and there is no implied condition of fitness for a particular use or purpose. We make no express warranties except as stated in this Limited Lifetime Warranty. No one is authorized to change this Limited Lifetime Warranty or to create for us any other obligation or liability in connections with this unit. Any implied warranties shall last for one year after the original installation. Some states and provinces do not allow the exclusion or limitation of incidental or consequential damages or do not allow limitations on how long an implied warranty or condition lasts, so the above limitations or exclusions may not apply to you. The provisions of this limited warranty are in additions to and not a modification of or subtraction from any statutory warranties and other rights and remedies provided by law.

Save this certificate. It gives you specific legal rights, and you may also have other rights which may vary from state to state and province to province.

In the event your unit needs servicing, contact your dealer or contractor who installed or serviced your unit. When requesting service, please have the model and serial number from each unit readily available. If your dealer needs assistance, the distributor is available for support and we, in turn support the distributor's efforts.

Fill in the installation date and model and serial numbers of the unit in the space provided below and retain this limited warranty for your files.

Model No. _____ Serial No. _____ Date installed _____

Dealer or Contractor Name: _____

*To receive advantage of your warranty, you must retain the original records that can establish the installation date of your unit.

The Ultimate in Design, Engineering & Quality