

DreamCast
Design and Production Ltd.

ZEN FIRE PIT | Installation Manual
OUTDOOR FIRE PIT BURNER

STANDARDS:
CSA 2.41-2014, ANSI Z21.97-2014
CERTIFIED FOR USA & CANADA

OUTDOOR DECORATIVE
GAS APPLIANCES



We recommend that our fire pits be installed and serviced by professionals that are certified in the U.S. by NFI (National Fireplace Institute)

⚠ DANGER - IF YOU SMELL GAS

1. Shut off gas to the appliance.
2. Extinguish any open flame.
3. If odor continues, keep away from the appliance and immediately call your gas supplier or fire department.

⚠ WARNING

Do not store or use gasoline or other flammable vapors and liquids in the vicinity of this or any other appliance. An LP-cylinder not connected for use shall not be stored in the vicinity of this or any other appliance.

⚠ DANGER CARBON MONOXIDE HAZARD



This appliance can produce carbon monoxide which has no odor. Using it in an enclosed space can kill you. Never use this appliance in an enclosed space such as a camper, tent, car or home.

⚠ WARNING:

Improper installation, adjustment, alteration, service or maintenance can cause injury or property damage. Read the installation, operating and maintenance instructions thoroughly before installing or servicing this equipment.

⚠ WARNING: FOR OUTDOOR USE ONLY!

INSTALLER: Leave this manual with the appliance.
CONSUMER: Retain this manual for future reference

⚠ WARNINGS:

IMPORTANT: This appliance should be inspected before use and at least once annually by a qualified service person.

More frequent cleaning may be required as necessary. It is imperative that the control compartment, burners and circulating air passageways of the appliance be kept clean

DANGER: Carbon monoxide poisoning can lead to death!

CARBON MONOXIDE POISONING:

Early signs of carbon monoxide poisoning resemble the flu, with symptoms including headache, dizziness, or nausea. If you experience these signs, the Fire Pit may not be working properly. Get fresh air at once! Have the Fire Pit serviced. Some people are more affected by carbon monoxide than others, including pregnant women, people with heart or lung disease or anemia, those under the influence of alcohol, and those at high altitudes.

NATURAL GAS AND PROPANE:

To assist in detecting leaks, an odorant has been added to natural gas and propane. However, this odorant can fade, and gas may be present even though no odor exists.

WARNING: Any modification to this appliance or its controls can be dangerous.

1. This appliance, as supplied, is only for use with the type of gas indicated on the rating plate.
2. When this appliance is connected to a fixed piping system, the installation must conform with local codes or, in the absence of local codes, with the National Fuel Gas Code, ANSI Z223.1/NFPA 54; National Fuel Gas Code, National Gas and Propane Installation Code, CSA B149.1; or Propane Storage and Handling Code, CSA B149.2, as applicable..
3. Keep the appliance area clear and free from combustible materials, gasoline and other flammable vapors and liquids
4. Do not burn solid fuel in this appliance. Do not use this appliance to cook food or to burn paper or other objects.
5. Children and adults should be alerted to the hazards of high surface temperatures and should stay away to avoid burns or clothing ignition.
6. Clothing or other flammable materials should not be hung from the appliance, or placed on or near the appliance.
7. Young children should be carefully supervised when they are in the area of the appliance.
8. Do not use the appliance if any part has been under water. Immediately call a qualified service technician to inspect the appliance and to replace any part of the control system and any gas control which has been under water.
9. Inspect the appliance before each use

1. Turn the appliance off and let cool before servicing, installing, repairing or covering. Any guard or other protective device removed for servicing the appliance must be replaced prior to operating the appliance. Only a qualified service person should install, service, or repair the appliance.

HIGH ALTITUDE INSTALLATION

Gas fireplaces are tested and approved for elevations from 0 to 4,500 feet in Canada and U.S.A.

When installing this fireplace at an elevation above 4,500 feet (in Canada), check with local authorities. Consult your local gas utility for assistance in determining the proper orifice for your location.

LOCAL CODES

Install and use your Outdoor Fire Pit with care. Follow local codes. In the absence of local codes, use the latest edition of The National Fuel Gas Code ANSI Z223.1/NFPA 54 available from:

American National Standards Institute Inc.
1430 Broadway New York NY 10018

National Fire Protection Association, Inc.
Batterymarch Park Quincy MA 02269.

Make certain you read and understand all warnings. Keep this manual for reference.

See page 8 of this manual for Gas Installation Requirements

The Zen Fire Pit has an open base through which you can bring a gas or propane line. See Fig. 1.

Please make sure that the gas line is located only within this area. This will ensure that the final position of the unit will not be compromised.

We recommend that gas risers be kept as low to grade as possible and no higher than 6" at their highest points.

ATTENTION:
Gas line must be installed by a licensed contractor in compliance with local codes.

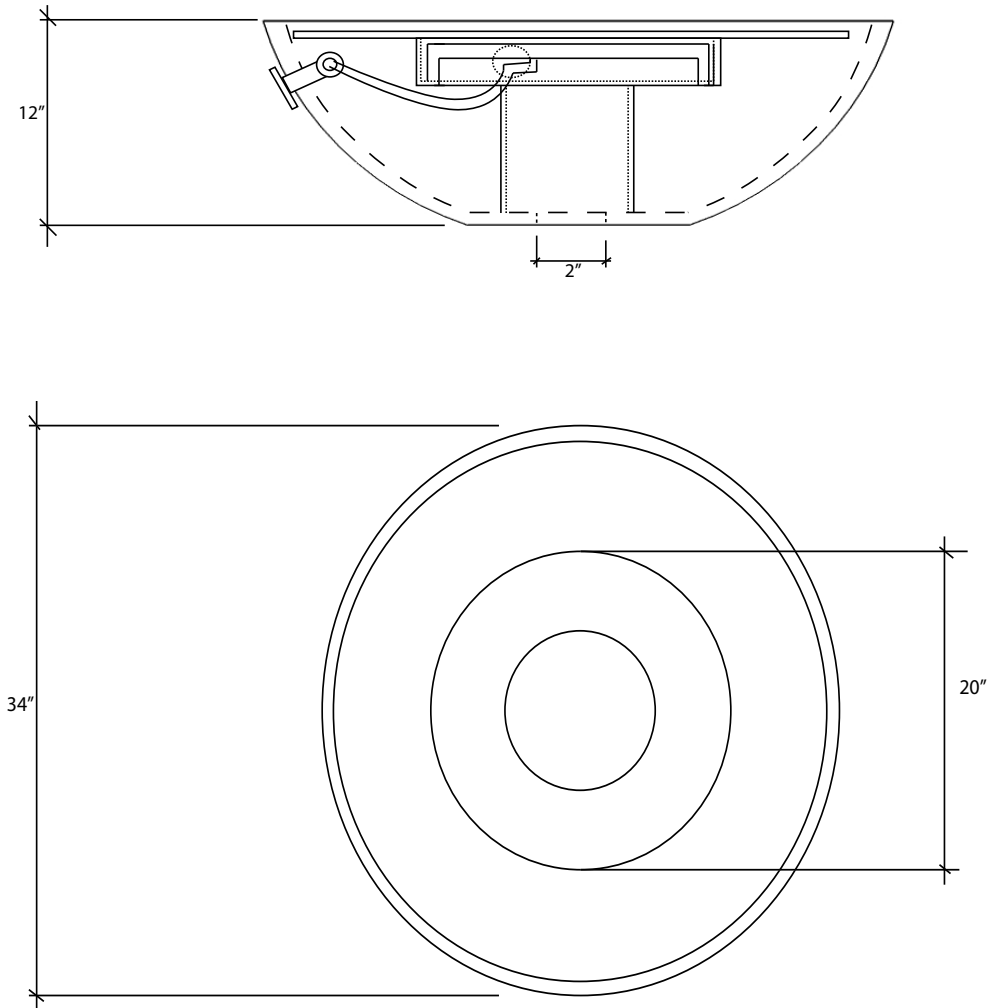


FIG 1. PLAN AND VERTICAL SECTION

ATTENTION: Fragile! Concrete may chip or scratch if collided with other hard materials such as stone, metal, or other concrete. HANDLE WITH CARE!

CAUTION:

HEAVY: Use care when lifting and placing to avoid injury and damage to property and the fire pit itself.

Fire pits will require 2 or more people to lift.

1. Please refer to 'Clearances to Combustibles' guide on page 6 of this guide for placement.
2. Ensure that the final location for the fire pit is as flat and level as possible. Also provide adequate drainage beneath the opening in the base of the fire pit body.
3. Completely unpack the fire pit.
4. Remove Burner Assembly (1) and Topping Ring from fire pit body and carefully set aside.
5. Carefully lift the fire pit and place it in its final position. If there is a gas riser, fire pit vessel should be placed so that the stub is enclosed within the fire pit body **(3)**.
6. If the fire pit does not sit level, shim appropriately so that it is level and evenly supported.
7. Connect to Natural Gas or Propane Source as per page 9 of this manual.
8. Assemble Burner as per instructions on page 7.
9. Check for leaks and test burner (see page 9 and 12).
10. cover with Decorative Topping media as per instructions on page 8.

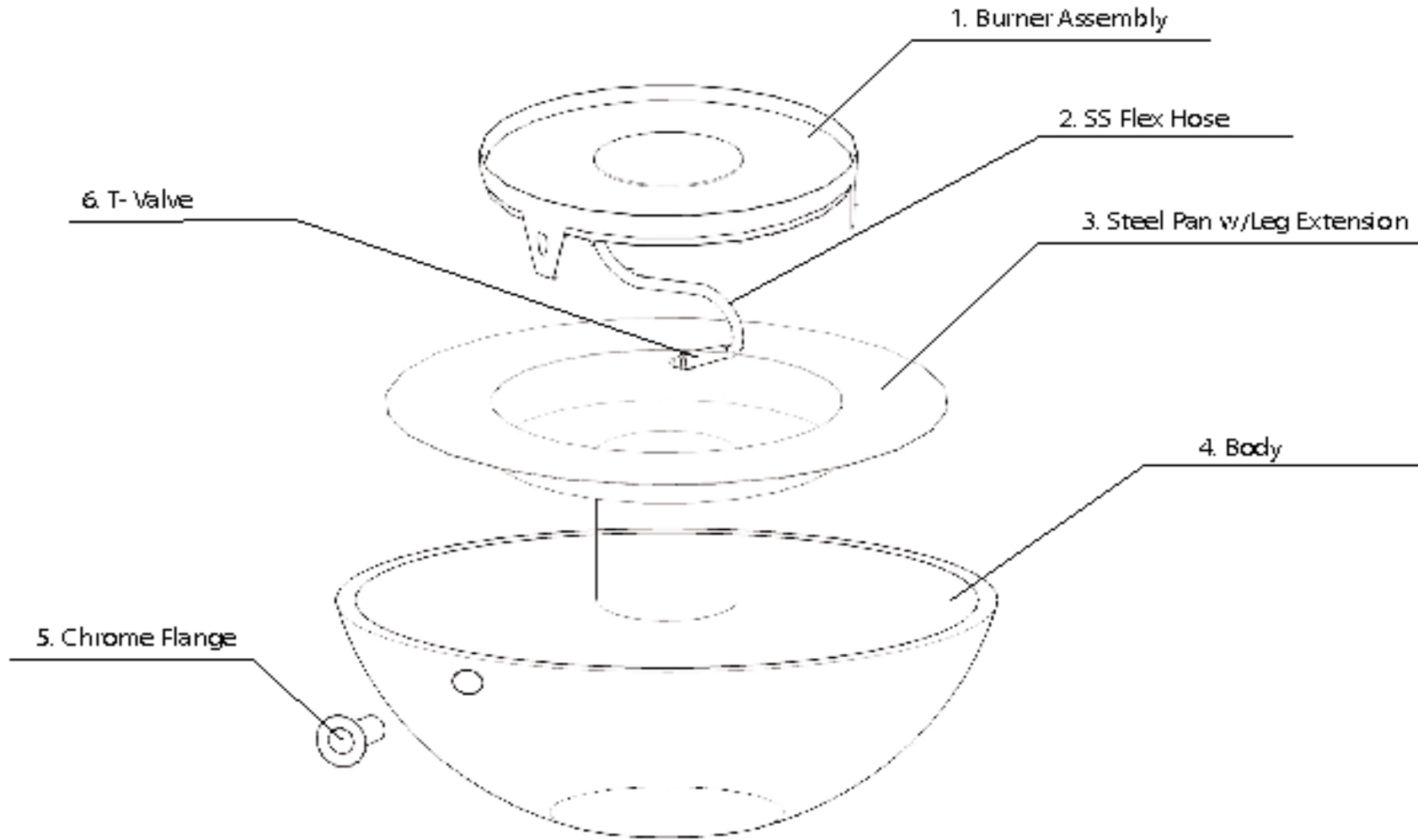


FIG. 2. Zen Firebowl - Exploded

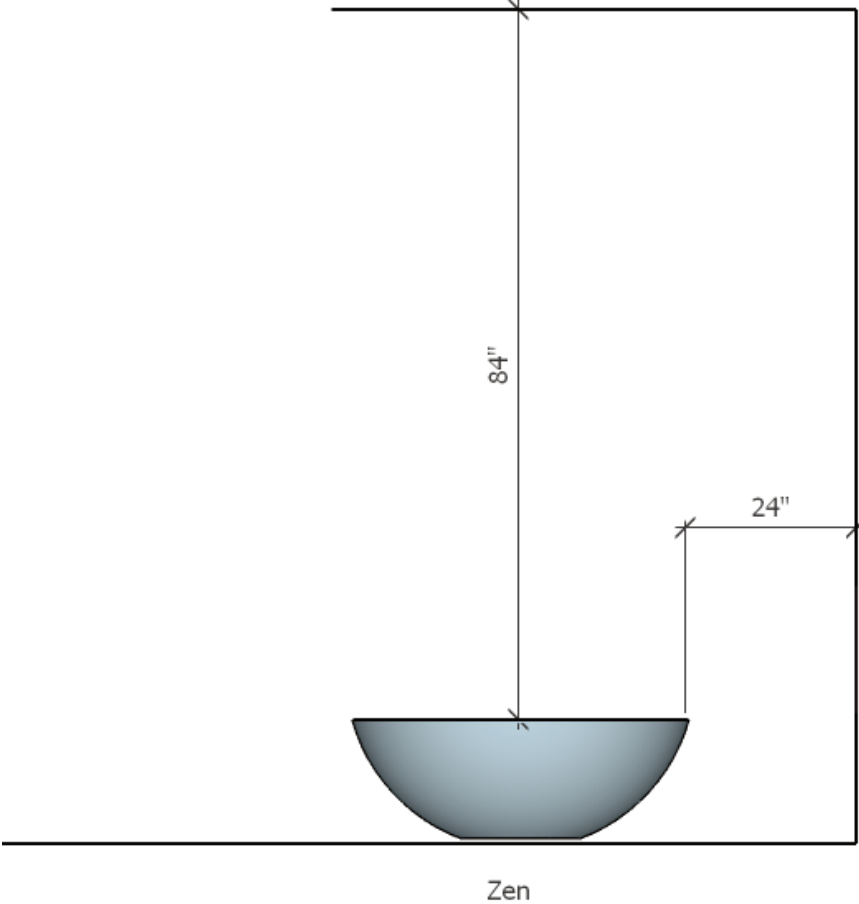


FIG 3. MINIMUM CLEARANCES TO COMBUSTIBLES

WARNING:

Failure to position parts in accordance with these diagrams and instructions and/or failure to use parts specifically approved for use with this appliance may result in property damage or personal injury.

CAUTION:

Do not remove the metal data plates attached to the Outdoor Fire Pit Burner. These plates contain important information.

NOTICE:

Installation and repair should be done by a qualified service person. The appliance should be inspected before use and at least once annually by a qualified service person. More frequent cleaning may be required as necessary. It is imperative that control compartment, burner and circulating air passageways of the appliance be kept clean.

TO ASSEMBLE THE BURNER

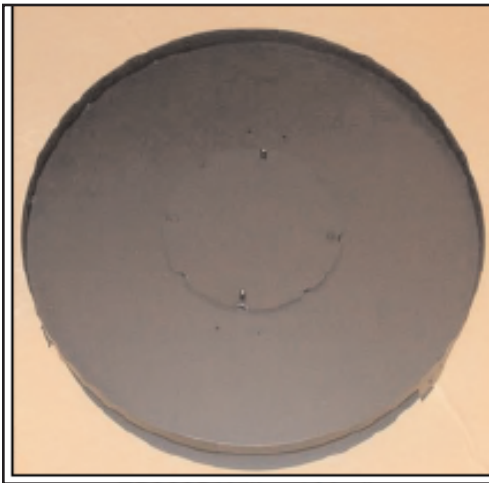
1. Connect the Burner Assembly to the gas/propane supply using the supplied flex connector and following the instructions on page 9.
2. Carefully leak test all connections following the procedure on page 8.
3. Fill the burner pan evenly with burner media fully covering burner ring. Media should be level with the top rim of the pan.
4. Follow the Initial Lighting Instructions on page 12. Make sure that the flame carries to all parts of the burner. Turn OFF the appliance and let it cool before proceeding to the next step.
5. Place and evenly distribute decorative topping (river stones, crushed glass or lava rock) on top of burner media. An uneven or excessively thick layer of topping can result in an uneven flame.
6. Do not use any media not supplied by the manufacturer

Zen Fire Pit Includes:

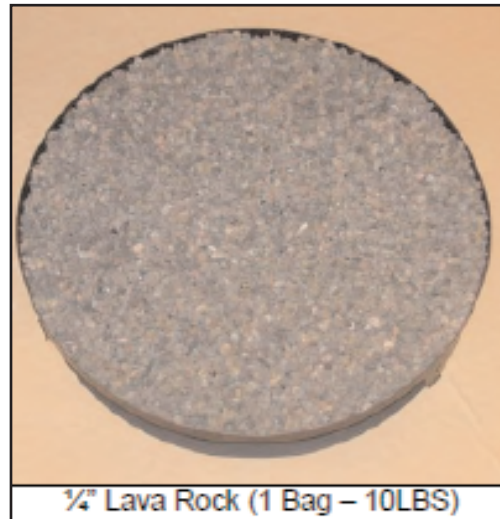
- Ball Valve with Flange & connectors
- Key Way Mount Ring
- Burner
- Lava rock
- Steel pan w/leg extension
- SS flex connector
- LP Regulator (LP units only)

Typical Flame Pattern:





No media



1/4" Lava Rock (1 Bag – 10LBS)



MQSTONE with 1/4" Lava Rock Base – (10LBS)

Note: MQ Stones require a lava rock base

CONNECTING TO GAS SUPPLY

⚠ WARNING:

A qualified service person must connect the appliance to the gas supply. Follow all local codes.

CAUTION:

Use only new black iron or steel pipe. Internally tinned copper tubing may be used in certain areas. Use pipe of 1/2" diameter or greater to allow proper gas volume to Outdoor Fire Pit Burner. If pipe is too small, undue loss of pressure will occur.

INSTALLATION ITEMS NEEDED:

Before installing the Outdoor Fire Pit, make sure you have all items listed below:

- piping (check local codes)
- sealant
- manual shutoff valve
- adjustable (crescent) wrench or pliers
- sediment trap
- tee joints
- pipe wrench

INSTALLATION REQUIREMENTS

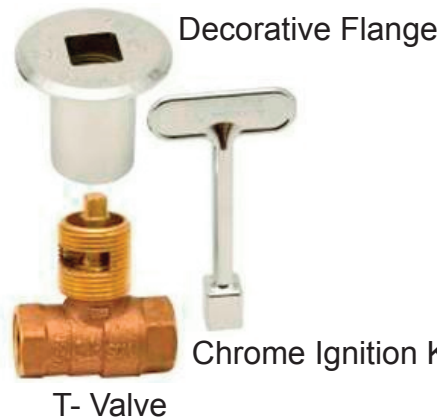
Installation must include a manual shutoff valve and *gas regulator*.

1. Feed fuel line through the base or side of the fire pit unit.
2. Remove existing valve from fire pit assembly
3. Disassemble ball valve into 2 parts: Decorative Chrome Flange and T- Valve.
4. Attach provided 1/2" MIP fittings to each side of the T-Valve with joint sealant.
5. Attach gas line to one side of the T-Valve and the provided SS Flex line to the other.
6. Place key way mount ring on to threaded side of T- Valve.
7. Screw decorative flange through outside to t-valve securely. The key way mount ring will enable you to tighten it. T-valve must be horizontal to avoid interference with the steel pan.
8. Place steel pan into the firepit and feed SS flex connector through 4" hole in side of the steel pan.
9. Connect free end of SS flex connector to burner unit
10. Carefully leak test all connections prior to placing burner into steel pan
11. Place burner unit into steel
12. Cover with media as described in this manual.
13. Locate the gas hose out of pathways where people may trip over it or in areas where the hose may be subject to accidental damage.



Typical Connection

Ball Valve with Flange:



T- Valve



CHECKING GAS CONNECTION

⚠ **WARNING:** Test all gas piping and connections for leaks after installing or servicing. Correct all leaks immediately.

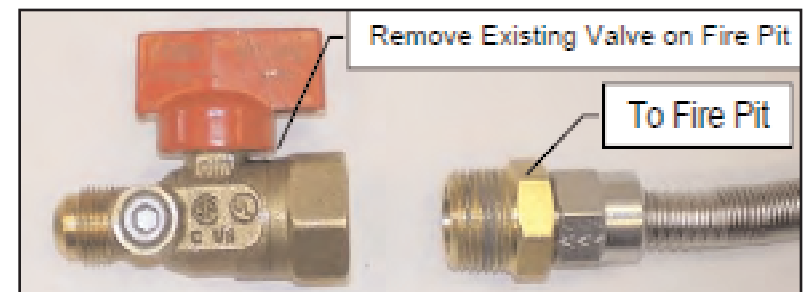
⚠ **WARNING:** Never use an open flame to check for a leak. Apply a mixture of liquid soap and water to all joints. Bubbles forming on joints while the gas is running indicate a leak. Correct all leaks immediately.

Test Pressures in Excess Of 1/2 psi (3.5 kPa)

This appliance and its individual shutoff valve must be disconnected from the gas supply piping system during any pressure testing of that system at test pressures in excess of 1/2 psi (3.5 kPa).

Test Pressures Equal To or Less Than 1/2 psi (3.5 kPa)

This appliance must be isolated from the gas supply piping system by closing its individual manual shutoff valve during any pressure testing of the gas supply piping system at test pressures equal to or less than 1/2 psi (3.5 kPa).



LP-GAS MODELS:

1. Make sure tank valve is in its full off position. (Turn clockwise to stop).
2. Check tank valve features to ensure it has proper external mating threads. (Tank Valve Marked: USE WITH TYPE 1)
3. Inspect hose shipped with the unit for damage. Never attempt to use damaged or plugged equipment. See your local LP Gas Dealer for repairs.
4. After inspecting the LP hose shipped with the unit, follow steps 1 through 11 as described on page 9, but connect the end with the female fitting on the hose to the T-Valve at step 5.
NOTE: Fuel Supply line must not come into contact with surfaces having temperatures in excess of 140°F. LP gas cylinder must be kept a minimum of 4.5 feet from the appliance. You must use an approved LP cylinder retention device (See photo on pg. 11 for example).
5. When connecting regulator assembly to the tank valve, hand tighten nut clockwise to a positive stop. DO NOT use a wrench to tighten. Use of a wrench may damage quick closing coupling nut and result in a hazardous condition.
6. Locate the hose out of pathways where people may trip over it or in areas where the hose may be subject to accidental damage.
7. Open tank valve fully (counter-clockwise). Turn the on/off valve at the unit slowly to the on position and use a soapy water solution to check all connections for leaks before attempting to light the appliance. If a leak is found, turn tank valve off and do not use the appliance until repairs can be made by a local LP Gas Dealer. DO NOT attempt to make repairs yourself.
8. Never attempt to use this appliance or any components that have been damaged or exposed to an accidental fire.

Be certain to mount or set the LP-gas cylinder on a flat stable surface and retain it to prevent it from tipping.

Purge the gas supply line of any trapped air prior to the first firing of the unit.

WARNING: During the initial purging and subsequent lightings, NEVER allow gas valve to remain in "OPEN" position without first placing a burning match on the top of the burner.

Test fire the unit after referring to the SAFETY INFORMATION and LIGHTING INSTRUCTIONS.

Tip:

If LP-Gas outdoor firepits are used continuously after a couple of hours, you could see the possibility of the flame decreasing in size. If this happens, turn off the control valve and the tank valve and wait a couple of hours before lighting again or switch propane tanks. The propane tank is freezing up due to the volume of gas being taken out of the tank.

CHECKING GAS CONNECTION

⚠ WARNING: Test all gas piping and connections for leaks after installing or servicing. Correct all leaks immediately.

⚠ WARNING: Never use an open flame to check for a leak. Apply a mixture of liquid soap and water to all joints. Bubbles forming on joints while the gas is running indicate a leak. Correct all leaks immediately.

⚠ WARNING

DO NOT LEAVE FIRE PIT UNATTENDED WHEN IN USE

If you build an enclosure for an LP gas cylinder you must follow these specifications. You must also follow local codes.

An enclosure for an LP-gas cylinder shall be ventilated by openings at both the upper and lower levels of the enclosure.

This shall be accompanied by one of the following:

- a. One side of the enclosure shall be completely open; or
- b. For an enclosure having four sides, a top, and a bottom:

1. At least two ventilation openings shall be provided in the sidewalls of the enclosure, located within 5 in (217 mm) of the top of the enclosure, equally sized, spaced at a minimum of 90 degrees (1.57 rad), and unobstructed. The opening(s) shall have a total free area of not less than 1 in²Clb (14.2 cm²Ckg) of stored fuel capacity.

2. Ventilation opening(s) shall be provided at floor level of the enclosure and shall have a total free area of not less than 1/2in²Clb (7.1 cm²Ckg) of stored fuel capacity. If ventilation openings at floor level are in a side wall, there shall be at least two openings. The bottom of the openings shall be 1 in (25.4 mm) or less from the floor level and the upper edge no more than 5 in (127 mm) above the floor level. The openings shall be equally sized, spaced at a minimum of 90 degrees (1.57 rad), and unobstructed.

3. Every opening shall have minimum dimensions so as to permit the entrance of a 1/8in (3.2 mm) diameter rod.

4. Ventilation openings in sidewalls shall not communicate directly with other enclosures of the appliance. The cylinder valve shall be readily accessible for hand operation. A door on the enclosure to gain access to the cylinder valves is acceptable, provided it is non-locking and can be opened without the use of tools.

Designs using a cover to gain access to the cylinder and cylinder valve shall be provided with handles or equivalent at a minimum of 180 degrees apart to facilitate lifting of the cover.

5. The enclosure for the LP-gas cylinder shall isolate the cylinder from the burner compartment to provide:

- a. Shielding from radiation;
- b. A flame barrier; and
- c. Protection from foreign material.

There shall be a minimum clearance of 2 in (50.8 mm) between the floor of the non-disposable LP-gas cylinder enclosure and the ground.

The design of the appliance shall be such that:

- a. A non-disposable LP-gas cylinder can be connected, disconnected, and the connections inspected and tested outside the cylinder enclosure; and
- b. Those connections which could be disturbed when installing the cylinder in the enclosure can be leak tested inside the enclosure.

6. The cylinder must be prevented from tipping over. An approved LP cylinder retention device is required (See photo on right for example).



The above photo shows an example of an approved LP cylinder retention device.

The LP gas supply cylinder used with LP models must be :

- i. Constructed and marked in accordance with the US Department of Transportation (D.O.T.) Specifications for LP-Gas Cylinders or the Standard for Cylinders, Spheres and Tubes for Transportation of Dangerous Goods and Commission, CAN/CSA-B339, as applicable.
- ii. Provided with a listed overfilling prevention device, and
- iii. Provided with a cylinder connection device compatible with the connection for the appliance

The pressure regulator and hose assembly supplied with LP models must be used. Replacement pressure regulators and hose assemblies must be those specified in this manual.

Be sure to use only 1 20 lb (9.1 kg) LP gas cylinder with a Type 1 valve with this appliance as required by the American National Standards Institute (ANSI) and the Canadian Standards Steering Committee.

The LP gas cylinder supply system must be arranged for vapor withdraws.

The LP gas cylinder used must include a collar to protect the cylinder valve.

When an LP model is not in use, the LP-gas must be turned off at the supply cylinder.

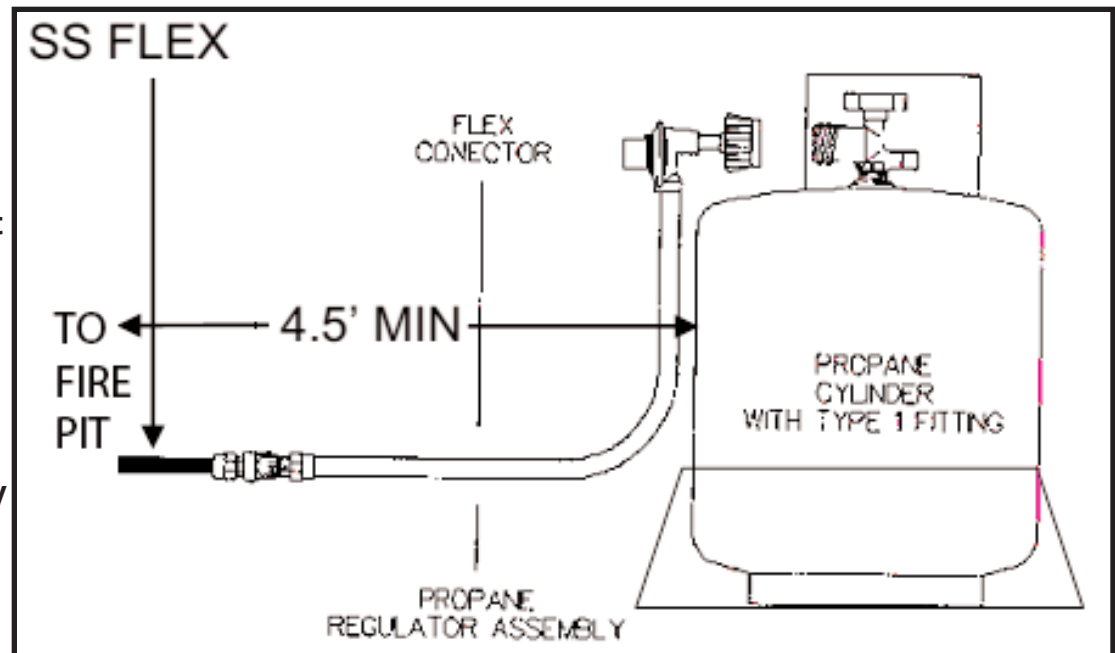
Fuel Supply line must not come into contact with surfaces having temperatures in excess of 140°F.

LP gas cylinder must be kept a minimum of 4.5 feet from the appliance.

The cylinder must be prevented from tipping over by the use of an approved LP cylinder retention device (See Pg. 11 for an example).

Locate the hose out of pathways where people may trip over it or in areas where the hose may be subject to accidental damage.

CYLINDER POSITION DIAGRAM



Burner Specifications:

FUEL	MAXIMUM SUPPLY PRESSURE	MAX INPUT BTU/HR
NATURAL GAS	10 IN. W.C./2.47KPa	65,000
PROPANE	13 in. w.c/3.24 KPa	65,000

Minimum Clearances to Combustible Materials:

ABOVE	SIDE	BELOW
84"	24"	0"

FOR YOUR SAFETY READ BEFORE LIGHTING:

- A. This appliance must be lit by hand. When lighting, follow these instructions exactly.
- B. Before LIGHTING, smell all around the appliance area for gas. Be sure to smell next to the floor, because some gas is heavier than air and will settle on the floor.

WHAT TO DO IF YOU SMELL GAS:

- Do not try to light any appliance.
- Do not touch any electric switch; do not use any phone in your building.
- Immediately call your gas supplier from a neighbour's phone. Follow the gas supplier's instructions.
- If you cannot reach your gas supplier, call the fire department.

⚠ WARNINGS:

Failure to follow these instructions exactly may result in fire or explosion causing property damage, personal injury or loss of life.

Before operating the appliance, check all around the appliance area and on the surrounding floor for the smell of gas - some gas is heavier than air and may settle on the floor in the event of a leak. IF YOU SMELL GAS, follow the safety instructions on page 1 or page 11 of this manual.

The main gas valve in this appliance is not serviceable. Do not try to repair or modify the valve, as doing so may result in a fire or explosion. Call a qualified service technician if you have any safety concerns.

Do not use this appliance if any part of it has been under water. Immediately call a qualified service technician to inspect the appliance and to replace any part of the control system and any gas control that has been under water.

Improper installation, adjustment, alteration, service or maintenance can result in injury or property damage. For assistance or additional information, consult a qualified installer, service agency or the gas supplier.

Do not store or use gasoline or other flammable vapors or liquids in the vicinity.

INITIAL LIGHTING INSTRUCTIONS

Purge air from the supply line.

WARNING: During the initial purging and subsequent lightings, NEVER allow the gas valve to remain in "OPEN" position without first placing a burning match on top of the burner

1. Place a burning match on top of the burner in the middle where the ports are present. DO NOT HOLD MATCH IN HAND. For natural gas unit turn on the on/off valve slowly at the unit. For the LP unit turn the valve on the LP tank counterclockwise all the way and then turn on the on/off valve slowly at the unit.
3. If the burner does not light before the match goes out immediately turn the gas off.
4. Wait at least five (5) minutes to clear out any gas. If you have unsuccessfully tried to light the burner wait longer. Then smell for gas, including near the floor. If you smell gas, STOP! Follow the instruction in part B on page 11. If you don't smell gas repeat step 2.
5. To Turn off the gas appliance turn the on/off valve to the off position for natural gas units. For LP unit, turn the on/off valve to the off position and then turn the valve on the LP tank to the off position clockwise.

Test for leaks in each of the following locations:

- The gas supply line connection to the main valve;
- The Burner connections
- All joints on the valve and control body;
- All field made joints and gas shutoff valves;
- All factory made joints and connections.

⚠ DANGER: NEVER USE AN OPEN FLAME TO CHECK FOR GAS LEAKS.

△ STOP!

Read the safety information in this manual.

IF YOU DO NOT FOLLOW THESE INSTRUCTIONS PRECISELY, A FIRE OR EXPLOSION MAY RESULT AND YOU MAY BE SERIOUSLY INJURED!



CAUTION:

When lava rock is new or contains moisture, operating firebowl may cause it to pop and cause small particles to fly. When igniting the fire pit for the first time, or after lava has become damp, it may take several minutes for the lava to dry out and cease popping

OPERATING INSTRUCTIONS:

Use only your hand to turn the gas control knob or valve. Never use tools. If the knob will not turn by hand, don't try to repair it, call a qualified service technician. Force or attempted repair may result in a fire or explosion.

Upon completing the gas line connection, a small amount of air will be in the lines. When first lighting the burner, it will take a few minutes for the lines to purge themselves of air. Once the purging is complete the burner will light and operate as indicated in the instruction manual. Subsequent lighting of the appliance will not require such purging.

1. Place a burning match on top of the burner in the middle where the ports are present. **DO NOT HOLD MATCH IN HAND.** For natural gas unit turn on the on/off valve slowly at the unit. For the LP unit turn the valve on the LP tank counterclockwise all the way and then turn on the on/off valve slowly at the unit.
3. If the burner does not light before the match goes out immediately turn the gas off.
4. Wait at least five (5) minutes to clear out any gas. If you have unsuccessfully tried to light the burner wait longer. Then smell for gas, including near the floor. If you smell gas, **STOP!** Follow the instruction in part B on page 11. If you don't smell gas repeat step 2.
5. To Turn off the gas appliance turn the on/off valve to the off position for natural gas units. For LP unit, turn the on/off valve to the off position and then turn the valve on the LP tank to the off position clockwise.
6. Periodic visual checks of the burner flame must be made. To obtain proper operation, it is imperative that the burner flame characteristics are steady, not lifting or floating. This picture depicts the typical flame pattern of this system:



⚠ WARNING: Turn off gas before servicing fire pit.

It is recommended that a qualified service technician perform these check-ups at the beginning of each fire pit season.

If any irregularities are apparent with operation. Please refer to Troubleshooting guide, page 15.

BURNER ELEMENT

At least annually remove the media and examine the burner. Keep the burner clean by vacuuming or brushing at least annually. Make sure the burner porting and burner air openings are free of obstructions at all times.

Inspect area around the burner. Remove any lint or foreign material with a brush or vacuum cleaner.

When the appliance is put back in service, check the burner flame patterns with Operating Instructions section.

The burner must be replaced prior to the appliance being put into operation if it is evident that the burner is damaged.

Tampering is dangerous and voids all warranties. Any component found to be faulty must be replaced with an approved component.

To obtain proper operation, it is imperative that the burner flame characteristics are steady, not lifting or floating. Check the burner flame patterns with the Operating Instructions Section.

Periodically check the hose connecting the LP-gas cylinder to ensure it is not damaged in any way.

CONCRETE

It is recommended fire pits are protected from the rain and snow, if you wish to maintain original finish. Concrete will react to its environment, and naturally weather and acquire a patina with time.

All fire pits are sealed with a densifying topical sealer that provides some resistance to water and staining. This does not mean the concrete is water or stain proof.

The concrete can also be cleaned with a mild soap and water solution. Never use abrasives or strong chemicals as they may scratch and/or stain the surface.

The fire pit should be covered when not in use for extended periods of time.

Always ensure that your fire pit is draining water properly (i.e. drainage is not obstructed by debris).

To renew the finish on a fire pit it is recommended to re- seal the fire pits at the start of each season (depending on level of exposure to weather). Recommended product is 511 Porous Sealer by Miracle Sealants, which can be readily bought at most hardware store. Simply apply the 511 Sealer with a soft cloth as per the directions on the bottle, and wipe clean.

TROUBLE SHOOTING**OBSERVED PROBLEM****POSSIBLE CAUSE****REMEDY**

WARNING:
 Turn off appliance and let cool before servicing. Only a qualified service person should service and repair this appliance.

IMPORTANT: Operating unit where impurities in air exist may create odors. Cleaning supplies, paint, paint remover, cigarette smoke, cements and glues, new carpet or textiles, etc., create fumes. These fumes may mix with combustion air and create odors. These odors will disappear over time.

⚠ IF YOU SMELL GAS:
 Shut off gas supply. Do not try to light any appliance. Do not touch any electrical switch; do not use any phone in the vicinity of the appliance.

Immediately call your gas supplier from a safe distance. Follow your gas supplier's instructions.

Unit is smoking / sooting excessively. (Note: It is natural and unavoidable for appliance sets to produce moderate levels of carbon (soot) where flames contact the media.)

1. Poor fuel quality
2. Excessive flame impingement or blockage
3. Improper fuel/air mixture

1. Contact local natural gas company
2. Separate the stones to allow more flame passage
3. Remove any foreign items from the flame pattern and/or check for proper orifice sizing

Burner is excessively noisy (Note: The movement and combustion of gas will create low, unavoidable levels of noise.)

1. Passage of air/gas across irregular surfaces
2. Excessive gas pressure on natural gas Units

1. Relieve any tight bends or kinks in gas supply line
2. Check/reset gas regulator pressure

Gas odor even when manual valve is in the OFF position

1. Gas leak. See Warning statement below.
2. Main gas valve defective.

1. Locate and correct all leaks (see Checking Gas Connections, pg 5)
2. Replace gas valve

Unit produces unwanted odors

1. Gas leak. See Warning statement

1. Locate and correct all leaks (see Checking Gas Connections, pg 5)

Delayed burner ignition

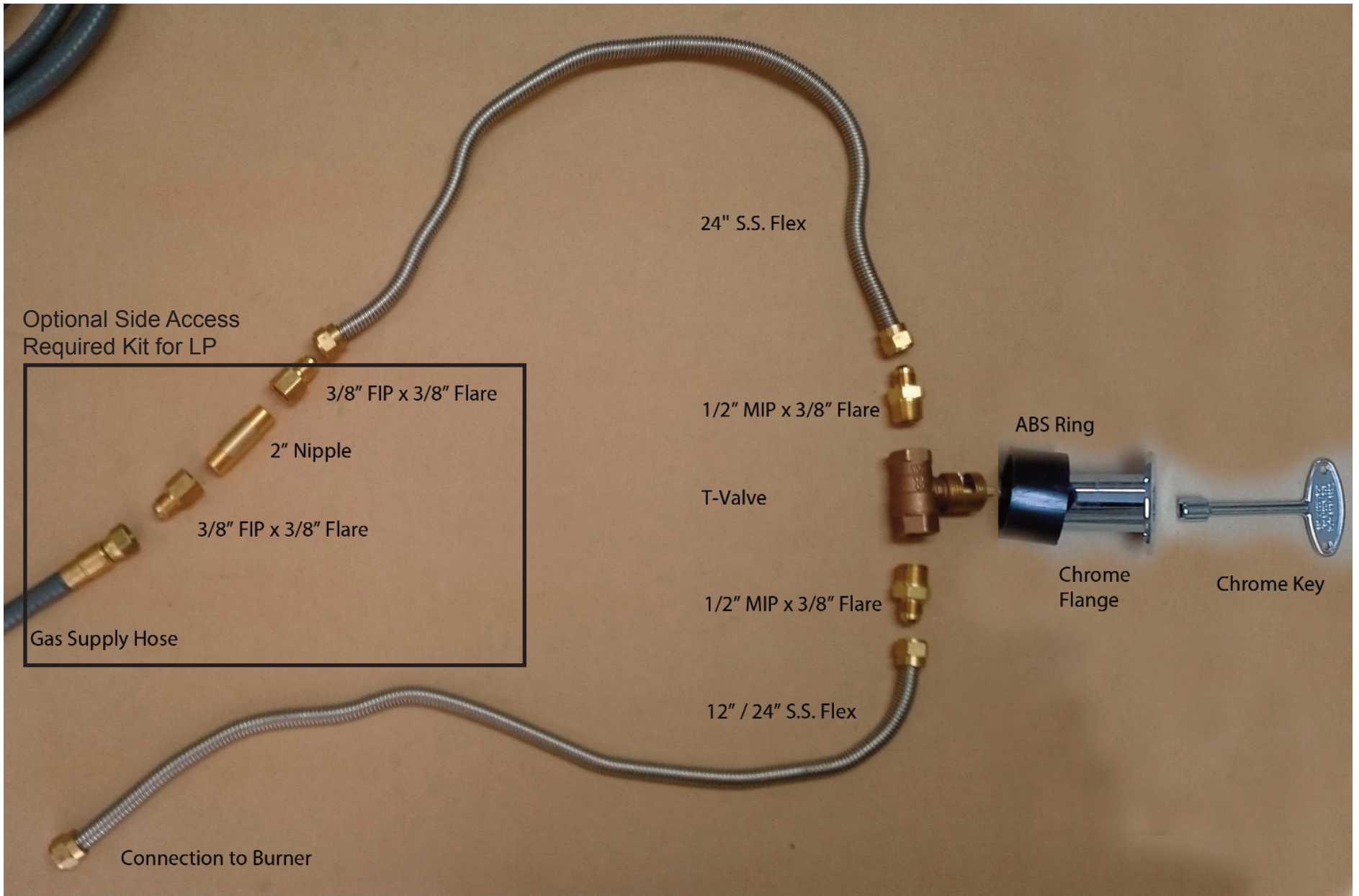
1. Ports are obstructed

1. Clear media/debris from lighting port

Burner flame is too low

1. Incorrect gas supply or pressure
2. Blocked burner orifice or burner ports
3. Improper burner orifice size
4. If LP unit the tank is freezing up due to the volume of gas being taken out of the tank.

1. Check for proper gas supply pressure
2. Free burner orifice and burner ports of any burrs, paint, or other blockage
3. Turn off the tank valve and wait a couple of hours before lighting again
4. Switch propane tanks.



Part	Quantity		
Concrete Firepit - Zen	1		
Burner LP or NG	1	Glass Media - assorted colors	1
LP Gas Hose & Regulator(LP units only)	1	LP retention device	1
Lava Rock	1	Ceramic Logs	1
T-valve	1	MQ Stones	1
Chrome Flange	1		
Chrome Key	1		
ABS Ring	1		
24" SS Flex Hose	1		
12" SS Flex Hose	1		
3/8" Flare x 1/2" MIP connector (side access or LP kit)	2		
3/8" Flare x 3/8" FIP connector (side access or LP kit)	2		
3/8" Threaded nipple, 2" long. (side access or LP kit)	1		

All replacement parts can be sourced through Dreamcast Design and Production.

WARRANTY INFORMATION

Save this certificate. It gives you specific legal rights, and you may also have other rights which may vary from state to state.

In the event your unit needs servicing contact your dealer or contractor who installed or service your unit. When requesting service, please have the model and serial number from each unit readily available. If your dealer needs assistance, the distributor is available for support and we, in turn support the distributor's efforts.

Fill in the installation date and model and serial numbers of the unit in the space provided below and retain this limited warranty for your files.

GENERAL TERMS

This limited warranty applies only while the unit remains at the site of the original installation and only if the unit is installed inside the continental United States, Alaska, Hawaii and Canada. The warranty applies only if the unit is installed and operated in accordance with the printed instructions and in compliance with applicable installation, building codes and good trade practices.

During the first year after installation, we will provide a replacement for any component part of your unit found to be defective in materials or workmanship. The part to be replaced must be returned to our distributor in exchange for the replacement part.

In lieu of providing a replacement part, we may, at our option, provide the distributor's component purchase price from us or a credit equal to the distributor's component purchase price from us toward the purchase of any new unit which we distribute. If a credit is given in lieu of a replacement part, the rating plate from the unit being replaced must be submitted on a warranty claim and the unit being replaced must be made available to our distributor for disposition.

In establishing the date of installation for any purpose including determination of the starting date for the term of this limited warranty, reasonable proof of the original installation date must be presented*, otherwise the effective date will be based upon the date of manufacture plus thirty (30) days.

Any labor, material, freight and/or handling charges associated with any repair or replacement pursuant to this limited warranty will be your responsibility. In this warranty the word "installation" means original installation.

We will not be responsible for and you the user will pay for: (a) damages caused by accident, abuse, negligence, misuse, riot, fire, flood, or Acts of God (b) damages caused by operating the unit where there is a corrosive atmosphere containing chlorine, fluorine, or any other damaging chemicals (other than in a normal residential environment) (c) damages caused by any unauthorized alteration or repair of the unit affecting its stability or performance (d) damages caused by improper matching or application of the unit or the unit's components (e) damages caused by failing to provide proper maintenance and service to the unit (f) any expenses incurred for erecting, disconnecting or dismantling the unit (g) parts or supplies used in connection with service or maintenance (h) damage repairs, inoperation or inefficiency resulting from faulty installation or application (i) electricity or fuel costs or any increase in electricity or fuel cost whatsoever including additional or unusual use of supplemental electric heat.

We shall not be liable for any incidental, consequential, or special damages or expenses in connection with any use or failure of this unit. We have not made and do not make any representation or warranty of fitness for a particular use or purpose and there is no implied condition of fitness for a particular use or purpose. We make no express warranties except as stated in this limited warranty. No one is authorized to change this limited warranty or to create for us any other obligation or liability in connections with this unit. Any implied warranties shall last for one year after the original installation. Some states and provinces do not allow the exclusion or limitation of incidental or consequential damages or do not allow limitations on how long an implied Warranty or condition lasts so the above limitations or exclusions may not apply to you. The provisions of this limited warranty are in additions to and not a modification of or subtraction from an statutory warranties and other rights and remedies provided by law.

Model No.: _____ Serial No.: _____ Date Installed: _____

**You must retain the original records that can establish the installation date of your unit.*