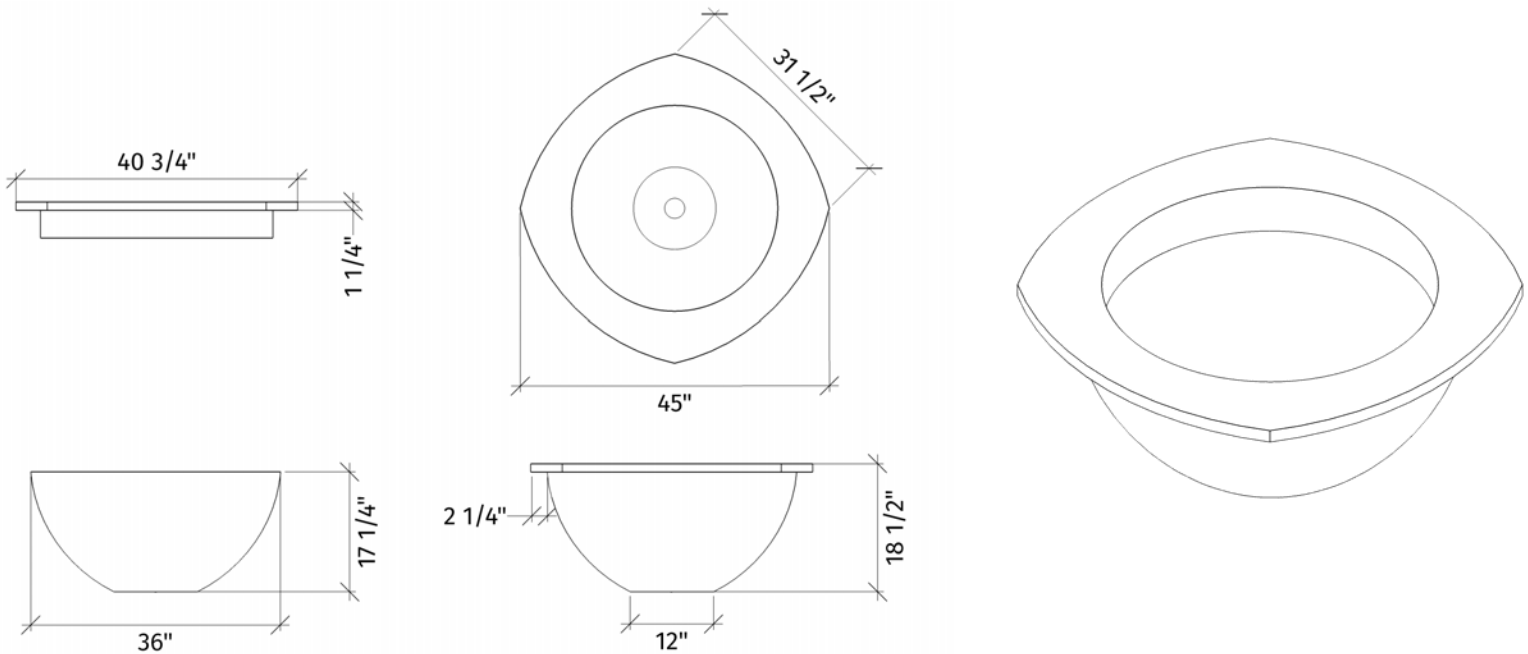


# LOTUS

-45 in-



## DIMENSIONS



## MAXIMUM IMPACT



Our flagship firebowl, the **Lotus** creates the perfect luxurious space of fire and purpose.

The petal shaped rim draws function to the modern bowl design and enables maximum use of space.

LOTUS 45"  
*PACKAGE INCLUDES:*

CONCRETE FIREPIT TOP  
CONCRETE FIREPIT BASE

MANUAL LIT  
NG/LP BURNER

LAVA ROCK

Firepits ship fully sealed  
Accessories available



**Dreamcast**  
design and production

Please contact us at 1-604-278-4939 with any questions. Our experienced team can assist you with product information, installation and design recommendations. We also encourage you to explore our website at [www.dreamcastfirepits.com](http://www.dreamcastfirepits.com)