

# DreamCast

## Libra 72

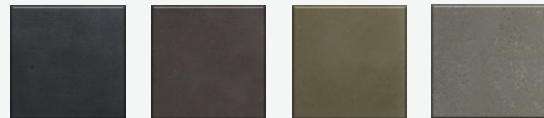


## CONTEMPORARY DESIGN

Our **Libra** Fire Table is a stunning addition to an outdoor living area. Providing both ample table space for functionality and cozy ambiance with a full campfire style flame.

### Product Features/ Specifications:

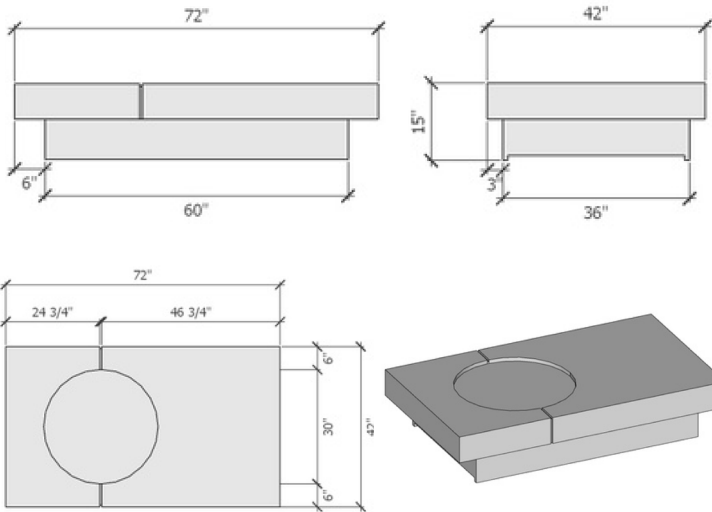
- 120K BTU
- Liquid Propane or Natural Gas
- Complimentary Lava Rocks
- Other media available for purchase
- Manual Lit Ignition (available for upgrade to Electronic Ignition - please contact for further information)
- Weight: 500 lbs.
- Overhead clearance: 84" - 120" (depending on burner) and 36" horizontally to combustibles.



CHARCOAL CHOCOLATE PORTOBELLO HAZE



LONDON FOG MIST MOONLIGHT CHALK



### Min. and Max. Gas Inlet Pressures:

The installer is responsible for using the correct fuel lines and/or regulation to provide gas to the fire feature within the specified minimum and maximum gas inlet pressures.

### Gas Inlet Pressures

MATCH LIGHT	Minimum	Maximum
Natural Gas	3.5" W.C. (.8718 Kpa)	7.0" W.C. (1.7436 Kpa)
Liquid Propane	11.0" W.C. (2.7399 Kpa)	13.0" W.C. (3.2381 Kpa)



**DreamCast**  
Design & Production

Please contact us at **1-604-278-4939** with any questions. We also encourage you to explore our website at [www.dreamcastdesign.com](http://www.dreamcastdesign.com)

Our experienced team can assist you with product information, installation and design recommendations.