



EXEMPLAR SPECIFICATIONS AND FEATURES

**R320, R420,
R520, R720,
R820**

Single sided
Power vented

**EXEMPLAR
CONTEMPORARY**

Standard

- Contemporary burner with Ice fireglass
- Tempered glass
- Power vent control box

Options

- Speckled stones, driftwood, glass media
- Remote control on/off

**EXEMPLAR
POWER VENTS**

Wall Mount

- PVHEX58-300
- PVHEX510-300
- PVHEXD-300

Flush Wall Mount

- PVHFL58-300
- PVHFL510-300
- PVHIN58-300-FS^Δ

Roof Mount

- PVWEX58-300
- PVWEX510-300

QUICK DIMENSIONS

	R320		R420		R520		R720		R820	
	UNIT	FRAM.	UNIT	FRAM.	UNIT	FRAM.	UNIT	FRAM.	UNIT	FRAM.
F.WIDTH	41 ¹ / ₁₆	55	53 ³ / ₁₆	67	65 ⁹ / ₁₆	77	89 ⁹ / ₁₆	101	101 ¹ / ₁₆	113
B.WIDTH	48 ¹ / ₁₆	55	60 ¹ / ₁₆	67	72 ¹ / ₁₆	77	96 ¹ / ₁₆	101	108 ¹ / ₁₆	113
HEIGHT	38 ¹ / ₁₆	47	38 ¹ / ₁₆	47	39 ¹ / ₁₆	45	40 ¹ / ₁₆	46	40 ¹ / ₁₆	46
DEPTH	21 ¹ / ₈	23 ³ / ₄ [†]	21 ¹ / ₈	23 ³ / ₄ [†]	21 ¹ / ₈	23 ³ / ₄ [†]	21 ¹ / ₈	23 ³ / ₄ [†]	21 ¹ / ₈	23 ³ / ₄ [†]
VIEWING	37 ¹ / ₄ × 16 ¹ / ₈		49 ¹ / ₄ × 16 ¹ / ₈		61 ¹ / ₄ × 18 ¹ / ₈		85 ¹ / ₄ × 18 ¹ / ₈		97 ¹ / ₄ × 18 ¹ / ₈	

[†]Dimension is for rear venting

^ΔPower Vent is for R320 and R420 only

BTU LISTING

R320N / 50,000
R420N / 65,000
R520N / 80,000

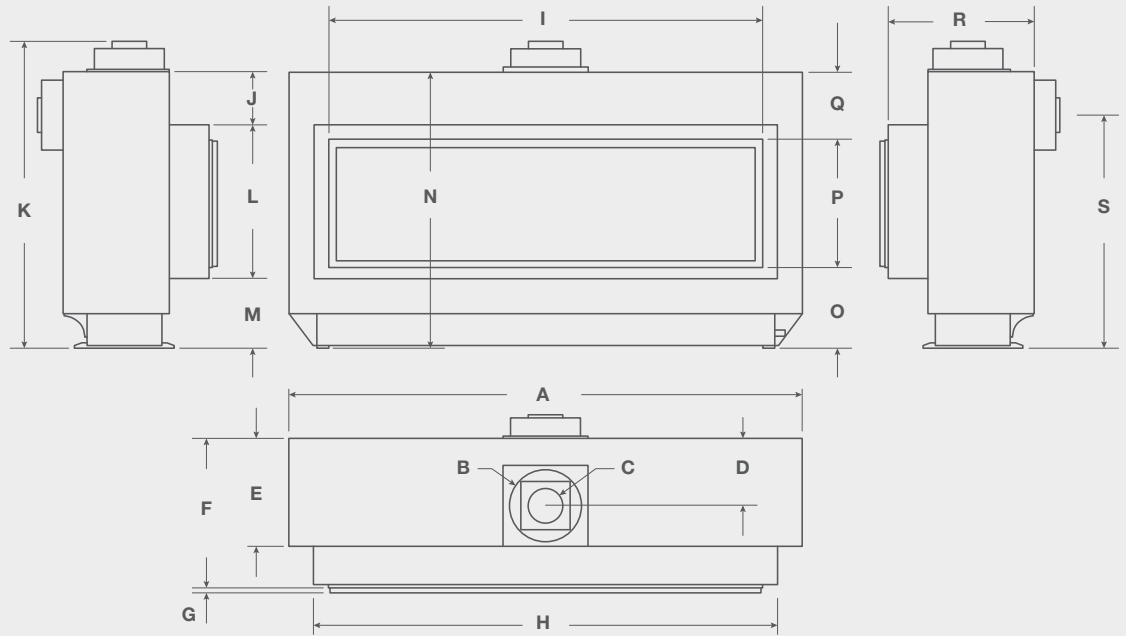
R320L / 40,000
R420L / 55,000
R520L / 65,000

R720N / 100,000
R820N / 100,000

R720L / 80,000
R820L / 80,000



EXEMPLAR DIMENSIONS



	A	B	C	D	E	F	G	H	I	J	K	L	M	N	O	P	Q	R	S
R320	48 $\frac{3}{8}$	8	5	9 $\frac{1}{2}$	15 $\frac{1}{4}$	21 $\frac{1}{8}$	$\frac{7}{8}$	41 $\frac{1}{2}$	37 $\frac{1}{4}$	7 $\frac{1}{4}$	42 $\frac{1}{4}$	19 $\frac{3}{4}$	10 $\frac{7}{8}$	38 $\frac{1}{16}$	12 $\frac{3}{8}$	16 $\frac{1}{8}$	9 $\frac{1}{2}$	21 $\frac{1}{8}$	32
R420	60 $\frac{3}{8}$	8	5	9 $\frac{1}{2}$	15 $\frac{1}{4}$	21 $\frac{1}{8}$	$\frac{7}{8}$	53 $\frac{1}{2}$	49 $\frac{1}{4}$	7 $\frac{1}{2}$	42 $\frac{1}{4}$	19 $\frac{3}{4}$	10 $\frac{7}{8}$	38 $\frac{1}{16}$	12 $\frac{3}{8}$	16 $\frac{1}{8}$	9 $\frac{1}{2}$	21 $\frac{1}{8}$	32
R520	72 $\frac{3}{8}$	10	5	9 $\frac{1}{2}$	15 $\frac{1}{4}$	21 $\frac{1}{8}$	$\frac{7}{8}$	65 $\frac{1}{2}$	61 $\frac{1}{4}$	7 $\frac{1}{2}$	43 $\frac{1}{4}$	21 $\frac{3}{4}$	9 $\frac{7}{8}$	39 $\frac{1}{16}$	11 $\frac{3}{8}$	18 $\frac{1}{8}$	9 $\frac{1}{2}$	20 $\frac{1}{16}$	33
R720	96 $\frac{3}{8}$	10	5	9 $\frac{1}{2}$	15 $\frac{1}{4}$	21 $\frac{1}{8}$	$\frac{7}{8}$	89 $\frac{1}{2}$	85 $\frac{1}{4}$	7 $\frac{1}{2}$	43 $\frac{1}{4}$	21 $\frac{3}{4}$	10 $\frac{7}{8}$	40 $\frac{1}{16}$	12 $\frac{3}{8}$	18 $\frac{1}{8}$	9 $\frac{1}{2}$	20 $\frac{1}{16}$	34
R820	108 $\frac{3}{8}$	10	5	9 $\frac{1}{2}$	15 $\frac{1}{4}$	21 $\frac{1}{8}$	$\frac{7}{8}$	101 $\frac{1}{2}$	97 $\frac{1}{4}$	7 $\frac{1}{2}$	43 $\frac{1}{4}$	21 $\frac{3}{4}$	10 $\frac{7}{8}$	40 $\frac{1}{16}$	12 $\frac{3}{8}$	18 $\frac{1}{8}$	9 $\frac{1}{2}$	20 $\frac{1}{16}$	34

MONTIGO / EXEMPLAR / R420 / SAGE FIREBEADS



OPTIONS &
FEATURES



REMOTE ON/OFF
RXM40VAC

Unit Specifications

Icon Legend

AVAILABLE +

NOT AVAILABLE -

DEDICATED ◊

STANDARD ○

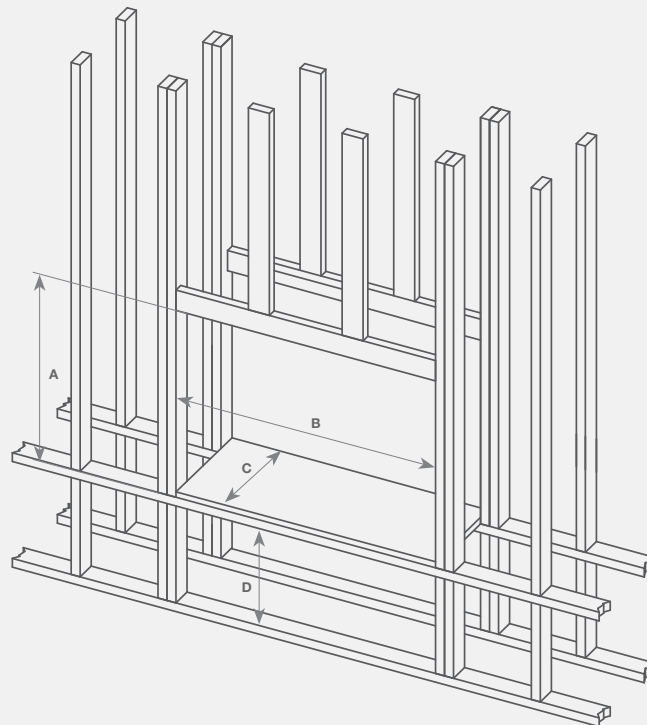
	BTU Natural Gas	BTU Liquid Propane	Venting	Clearance Top - Rear vent	Clearance Top - Top vent	Clearance Sides	Clearance Back	Clearance Floor	Front viewing area	Standard media	Front glass type	Invisimesh screen	Powervent	Remote control Fans	Uplighting	Downlighting
R320	50,000	40,000	5"/8"	24	24	6	2	0	37¼ × 16½	HW1157	Tempered	○	◊	-	-	-
R420	65,000	55,000	5"/8"	24	24	6	2	0	49¼ × 16½	HW1157	Tempered	○	◊	-	-	-
R520	80,000	65,000	5"/10"	24	24	6	2	0	61¼ × 18½	HW1157	Tempered	○	◊	-	-	-
R620ST	100,000	100,000	5"/10"	26	26	3	2	0	85¼ × 18½	HW1157	Tempered	○	◊	-	-	-
RP620	75,000	70,000	5"/8"	25¾	25¾	5½	4	0	73¼ × 18½	HW1157	Neoceramic	○	◊	-	-	○
R720	100,000	80,000	5"/10"	24	24	6	2	0	85¼ × 18½	HW1157	Tempered	○	◊	-	-	-
R820	100,000	80,000	5"/10"	24	24	6	2	0	97¼ × 18½	HW1157	Tempered	○	◊	-	-	-
R324	50,000	50,000	N/A	3	3	½	N/A	0	35¼ × 26¾	HW1157	Tempered	○	○	-	-	-
RP424	45,000	45,000	5"/8"	0	0	0	0	0	35¼ × 26¾	N/A	Tempered	-	◊	-	-	○

EXEMPLAR FRAMING

	A	B	C	D
R320	47	55	23¾ [†]	24
R420	47	67	23¾ [†]	24
R520	45	77	23¾ [†]	24
RP620	54	96	26 [†]	24
R720	46	101	23¾ [†]	24
R820	46	113	23¾ [†]	24

EXEMPLAR ST FRAMING

	A	B	C	D
R320ST	47	55	23¾	0
R324	48	49	N/A	10
R420ST	47	67	23¾	0
R520ST	45	77	23¾	0
R620ST	45	101	23¾	0



See instruction manual for detailed instructions

Header on edge not required if framing meets clearance to venting

[†]Dimension is to back wall or back studs