

# Derby Large Tunnel 3 CF Direct Vent Gas Fireplace



Installation manual

 **WARNING**



**HOT GLASS WILL  
CAUSE BURNS.  
DO NOT TOUCH GLASS  
UNTIL COOLED.  
NEVER ALLOW CHILDREN  
TO TOUCH GLASS.**

**INSTALLER:** Leave this manual with the appliance.

**CONSUMER:** Retain this manual for future reference.

## WARNINGS

**WARNING:** If the information in these instructions are not followed exactly, a fire or explosion may result causing property damage, personal injury or loss of life.

- Do not store or use gasoline or other flammable vapors and liquids in the vicinity of this or any other appliance.
- **WHAT TO DO IF YOU SMELL GAS:**
  - Do not try to light any appliance.
  - Do not touch any electrical switch; do not use any phone in your building.
  - Immediately call your gas supplier from a neighbor's phone. Follow the gas supplier's instructions.
  - If you cannot reach your gas supplier, call the fire department.
- Installation and service must be performed by a qualified installer, service agency or the gas supplier.

This appliance may be installed in an aftermarket, permanently located, manufactured home (USA only) or mobile home, where not prohibited by local codes. This appliance is only for use with the types of gas indicated on the rating plate. A conversion kit is supplied with the appliance.



# CONTENTS

	Page
IMPORTANT SAFETY INSTRUCTIONS .....	5
CODE APPROVAL .....	7
PRE INSTALLATION INSTRUCTIONS .....	8
GENERAL .....	8
CONCENTRIC FLUE SYSTEMS .....	9
INCLUDED WITH THE APPLIANCE .....	10
OPTIONS AND ACCESSORIES .....	11
CLEARANCES .....	12
VENT INSTALLATION .....	16
POSITIONING THE APPLIANCE .....	28
GAS LINE INSTALLATION .....	35
BUILDING IN THE APPLIANCE .....	40
PLACING OF CERAMIC LOG SET .....	41
MOUNTING OF FLUE GAS RESTRICTION PLATE .....	45
ANNUAL MAINTENANCE .....	47
FAULTS .....	48
POSSIBLE REASONS .....	48
SAFETY MEASURES IN THE APPLIANCE .....	48
DISMANTLING / ASSEMBLING OF THE GLASS .....	49
DIAGRAM ELECTRICITY AND GAS .....	53
DIMENSIONS .....	54
OPERATING UNIT .....	56
TECHNICAL DETAILS .....	57
REPLACEMENT PART LIST .....	58
PROPANE CONVERSION KIT .....	61
WARRANTY TERMS .....	62



## IMPORTANT SAFETY INSTRUCTIONS

**WARNING:** Improper installation, adjustment, alteration, services or maintenance can cause serious injury or property damage. Refer to this manual.

### SAVE THESE INSTRUCTIONS

Make yourself fully aware of all the following instructions and the many features of the Bellfires direct vent gas fireplace appliance.

**INSTALLER:** Leave this manual with the appliance  
**CONSUMER:** Retain this manual for future reference.

1. This appliance reaches high temperatures. Keep children and adults away from hot surfaces to avoid burns or clothing ignition. The appliance will remain hot for a time after shutdown. Allow surfaces to cool before touching.



2. Young children **MUST** be carefully supervised when they are in the same room as the appliance. Toddlers, young children and others may be susceptible to accidental contact burns. The remote control handset should be kept out of reach of children. A physical barrier is recommended if there are at risk individuals in the house. To restrict access to a fireplace or stove, install an adjustable safety gate to keep toddlers, young children and other at risk individuals out of the room and away from hot surfaces.
3. Keep the area around your appliance clear of combustible materials, gasoline and other flammable vapor and liquids.
4. Do not place embers, vermiculite granules or wood logs against the pilot light burner. Make sure that the pilot flame can burn at all times freely over the main burner. Only in this way is proper ignition of the main burner ensured. Ignoring these directions could lead to a dangerous situation.
5. Never place anything on top of the appliance.

## IMPORTANT SAFETY INSTRUCTIONS

6. Do not use this appliance to cook food or burn paper or other objects.
7. Do not use any solid or liquid fuels in this appliance. Use only the gas type indicated on the rating plate.
8. This appliance is only for use with the type of gas indicated on the rating plate. This appliance is convertible for use with other gases. A conversion kit is supplied with this appliance.

**WARNING:** The conversion kit shall be installed by a qualified service agency in accordance with the manufacturer's instructions and all applicable codes and requirements of the authority having jurisdiction. If the information in these instructions is not followed exactly, a fire, explosion or production of carbon monoxide may result causing property damage, personal injury or loss of life. The qualified service agency is responsible for the proper installation of this kit. The installation is not proper and complete until the operation of the converted appliance, is checked as specified in the manufacturer's instruction supplied with this kit.

9. This appliance must not be connected to a chimney flue serving a separate solid-fuel burning appliance.
10. Installation and service must be performed by a qualified installer, service agency or gas supplier.
11. DO NOT operate the appliance with glass removed, cracked or broken.
12. DO NOT use abrasive cleaners on the panels. DO NOT attempt to clean the glass when it is hot.
13. DO NOT strike or slam the glass panel.
14. DO NOT modify the appliance under any circumstances. Any parts removed for servicing must be replaced prior to operating the appliance.
15. Turn the appliance off and let cool before servicing, installing or repairing. ONLY a qualified service person should install, service or repair the appliance. Have burner system inspected annually by a qualified service person.
16. Keep control compartments, burners and circulating air passages clean. More frequent cleaning may be needed due to excessive lint and dust. Turn off the gas valve and appliance (OFF on remote control) before cleaning the appliance.
17. The venting system MUST be checked annually by a qualified service person. If needed, have the venting system cleaned or repaired.
18. When the appliance is installed directly on carpeting, tile or other combustible material, it must be set on a metal panel or hearth pad extending at least the full width and depth of the appliance.
19. DO NOT obstruct the flow of combustion and ventilation air in any way. Provide adequate clearances around air openings into the combustion chamber along with adequate accessibility clearance for servicing and proper operation.

## IMPORTANT SAFETY INSTRUCTIONS

20. DO NOT use the appliance if any part has been exposed to or has been under water. Immediately call a qualified service technician to inspect the appliance and replace any part of the control system and any gas control which has been submerged in water.
21. DO NOT operate the appliance if any log is broken.
22. The installation must conform with local codes or, in the absence of local codes, with the National Fuel Gas Code, ANSI Z223.1/NFPA 54, or the Natural Gas and Propane Installation Code, CSA B149.1.
23. This appliance, when installed, must be electrically grounded in accordance with local codes or in the absence of local codes, with the *National Electrical Code, ANSI/NFPA 70*, or the *Canadian Electrical Code, CSA C22.1*.
24. The appliance is equipped with a safety system, whereby the door will extract any over-pressure in a controlled way. In this, the door will briefly open. A safety strip limits the maximum degree to which the door can be tilted. To avoid any possible personal harm when the door opens due to an over-pressure, always maintain a minimum distance of 8 inch (20 cm) to the appliance, when igniting and when burning. If an over-pressure situation occurs, the appliance should be thoroughly checked by the installer.

**WARNING:** Never connect unit to private (non-utility) gas wells. This gas is commonly known as well-headed gas.

### CODE APPROVAL

Direct Vent type appliances draw all combustion air from outside of the dwelling through the vent pipe.

These appliances have been tested by CSA and found to comply with the established standards for VENTED GAS FIREPLACES in the USA and Canada as follows:

#### LISTED VENTED GAS FIREPLACES

*Derby Large Tunnel 3 CF* tested to:

- ANSI Z21. 88 - 2009 / CSA 2.33 - 2009 Vented Gas Fireplace Heaters
- ANSI Z21.88a - 2012 / CSA 2.33a - 2012 - Addenda 1 to ANSI Z21.88 - 2009 / CSA 2.33 - 2009
- CSA P4.1 - 09 Testing method for measuring annual fireplace efficiency (Canada).

A manufactured home (USA only) or mobile home OEM installation must conform with the ***Manufactured Home Construction and Safety Standard, Title 24 CFR, Part 3280***, or when such a standard is not applicable, the ***Standard for Manufactured Home installations, ANSI/NCSBCS A225.1***, or ***Standard for Gas Equipped Recreational Vehicles and Mobile Housing, CSA Z240.4***.

## PRE INSTALLATION INSTRUCTIONS

**WARNING:** Due to high temperatures, the appliance should be located out of traffic and away from furniture and draperies.

### GENERAL

This 'direct vent' gas appliance must be installed by a qualified installer in accordance with local building codes, or in the absence of local codes, with the current CAN/CSA-B149.1 or .2 Installation Code (in Canada) or the current National Fuel Gas Code Z223.1-NFPA 54 when installed in the United States.

This appliance, when installed, must be electrically connected and grounded in accordance with local codes, or in the absence of local codes, with the current CSA C22.1 Canadian Electrical Code or with the National Electrical Code; ANSI/NFPA 70 when installed in the United States. If you have any queries regarding the installation, please consult your local gas company.

### IMPORTANT:

**Before beginning the installation, check that the details on the rating plate correspond to the gas type and pressure to which the appliance will be connected.**

The appliance is supplied with a "Centre Fire" double burner. This burner has a specific flame image which is defined by the perforation pattern in the burner cover. See Chapter "DIAGRAM ELECTRICITY AND GAS" and the Operating Manual.

The appliance is factory set to the correct nominal heat input. The pilot light is set to the correct level of consumption.

The appliance will be delivered from the factory with a or 5" - 8" concentric connection for extracting the flue gases and supply of combustion air.

It is possible to install the appliance with either a wall or roof outlet. The roof connection must be carried out using a reducer (5" - 8" → 4" - 6<sup>5</sup>/<sub>8</sub>" ) and the concentric flue system 4" - 6<sup>5</sup>/<sub>8</sub>". The fumes are exhausted naturally to the outside environment through the inner 4" pipe whereas the combustion air supply passes between the 4" and 6<sup>5</sup>/<sub>8</sub>" pipes.



## PRE INSTALLATION INSTRUCTIONS

The wall connection must be carried out using the concentric flue system 5" - 8". The flue gases are evacuated outside by means of natural draft through the internal pipe of 5", whereas the combustion air is supplied between the pipes of Ø5" and Ø8".

The appliance can be installed in a completely sealed or mechanically ventilated house without extra ventilation and/or fume extraction.

The appliance can be installed as an insert into an existing open fire place or as a built-in appliance in a new fire place. In order to prevent the fireplace heating up excessively, it must be properly ventilated by installing vents at the top and bottom of the fireplace.

A barrier safety screen designed to reduce the risk of burns from the hot viewing glass shall be installed.

The appliance can be fitted with a convection package as an optional extra. This is a "convection jacket" (convection casing) for around and above the appliance, two flexible aluminium pipes and two built-in convection vents. This enables hot air to be circulated into the room.

If required, two additional convector grills can be fitted (= 1x extra convection set). If an existing chimney is to be used, please consult your installer first. If the chimney was previously used for a wood or coal fire, then it should be cleaned by an expert.

### **CONCENTRIC FLUE SYSTEMS 4" - 6<sup>5</sup>/<sub>8</sub>" and 5" - 8"**

- **DuraVent - DirectVent Pro**

The appliance, in combination with the concentric flue system [4" - 6<sup>5</sup>/<sub>8</sub>" and/or [5" - 8"] (rigid and/or flexible) for the brand, DuraVent (DirectVent Pro), has been approved in accordance with the Canadian CSA standard for direct vented gas appliances and may therefore be used only with these systems.

The permitted components for these systems are listed in Chapter "Vent Installation".

The guarantee on the appliance lapses if it is installed, fully or partially, with other components or a different flue system.

The concentric flue [4" - 6<sup>5</sup>/<sub>8</sub>" and [5" - 8"] systems can be used with either a newly-built or existing chimney.

# PRE INSTALLATION INSTRUCTIONS

## INCLUDED WITH THE APPLIANCE

Set documentation	<ul style="list-style-type: none"><li>- Instructions for use</li><li>- Installation instructions</li></ul>
Attributes	<ul style="list-style-type: none"><li>- Ceramic log set</li><li>- Hook (for opening the frame and the glass)</li></ul>

N.B. If any part is missing, please contact your dealer.

# PRE INSTALLATION INSTRUCTIONS

## OPTIONS AND ACCESSORIES

The following options and accessories can be supplied by your dealer:

<u>Part no</u>	<u>Accessorie</u>
312829 302188 310178 309872 309730 304040	<u>Convection set General</u> : (for convection air extraction) <ul style="list-style-type: none"> <li>• 1x Flexible aluminium pipe Ø5" (125 mm), L=10 feet (3 m) (max.)</li> <li>• 2x Fitting box 5.3" x 5.3" (135 x 135 mm)</li> <li>• 2x Convection exit grid, white, 5.7" x 5.7" (145 x 145 mm)</li> <li>• 2x Collar adaptor Ø5" (125 mm)</li> <li>• 4x Hose clamp Ø5" (125 mm)</li> </ul>
329874	Set carrying brackets (2 pieces)
3.....	Barrier
	DuraVent - DirectVent Pro concentric flue system See component summary

<u>Part no</u>	<u>Option</u>
332054 312829	<u>Convection package Derby Large Tunnel 3</u> <ul style="list-style-type: none"> <li>• 1x Convection top plate</li> <li>• 1x Convection set General</li> </ul>
330361	Set of high adjustable feet (4 pieces)
311967	Mantle iron L = 1250 mm
3.....	High altitude kit 2 000 - 4 500 ft Derby Large Tunnel 3 CF

## CLEARANCES

**WARNING:** Follow these instructions carefully to ensure safe installation. Failure to follow instructions exactly can create a fire hazard.

The appliance must be installed on a non-combustible floor. If installed on, for example, carpet or vinyl flooring, the appliance shall be placed on a plate of non-combustible material extending the full width and depth of the appliance.

All clearances to combustible and non-combustible materials must be maintained as described in this manual.

Clearances are in accordance with local installation codes and the requirements of the gas supplier.

Never use combustible materials during the installation.

During installation of the appliance, a clearance of 0.12 in (3 mm) should be maintained on all sides of the appliance to allow for expansion of the appliance during operation.

Do not insulate the appliance! Only the top and sides may be fitted with a strip of white, loose insulation wool (heat-resistant to 1832°F (1000°C)), width 5.9 in (15 cm) max. to protect the wall.

Do not use fibreglass or Rockwool, or any other sort of insulating material. These emit a pungent odour. This is considered extremely unpleasant. They may also cause discolouring of the column.

Combustible materials, such as curtains, should not be placed in the vicinity of the appliance. Minimum safe distance: 40 in.

Never place the appliance directly to a combustible or non-combustible rear wall and side wall.

### **Clearances to combustible material**

Always place a non-combustible insulation plate with a thickness of min. 1" (2.54 cm) between the appliance and the rear wall and the side wall according to figure 1. Minimum clearances to combustible material must be maintained.

Clearance to combustible ceiling: Place a non-combustible insulation plate with a thickness of min. 1¼" (30 cm) at a height of minimum 20" above the appliance. Maintain a free space of 4" (10 cm) between the insulation plate and a combustible ceiling.

# CLEARANCES

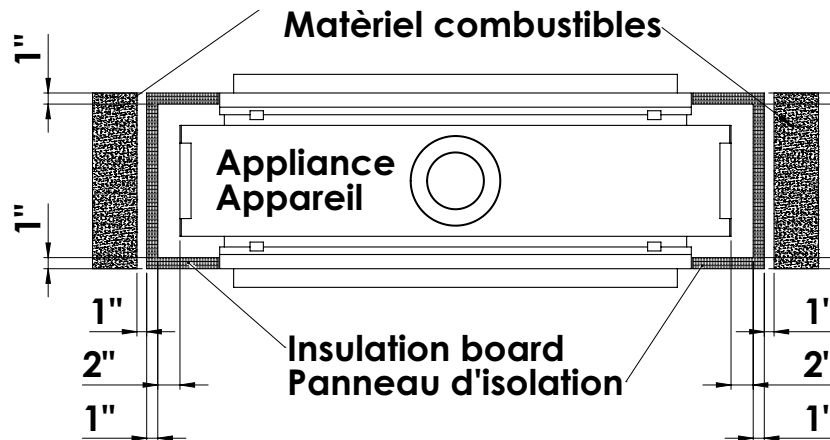


Figure 1: Clearances to combustible material

## Clearance to non-combustible material

Always place a non-combustible insulation plate, at least  $\frac{1}{2}$ " (12 mm) thick between the appliance and a non-combustible rear and side wall. Maintain a free space of at least  $\frac{3}{4}$ " (2 cm) on either side of the insulation plate.

Minimum clearances as shown in figure 2 must be maintained.

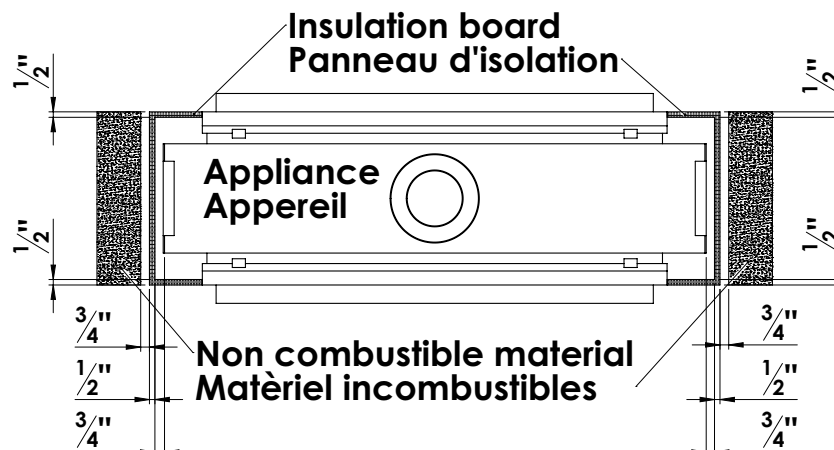


Figure 2: Clearances to non-combustible material

## Ventilation

Ventilate the fireplace/chimney breast:

- all spaces between the appliance and the insulation plates
- all spaces between the insulation plates and all surrounding walls by allowing vents above and below.

# CLEARANCES

## Insulation plate/board

Any used insulation plates must have a maximum thermal conductivity of 0.69 BTU/(ft<sup>2</sup>.h.°F/in) (0.10 W/m.K). Suitable insulation materials are listed in table 1.

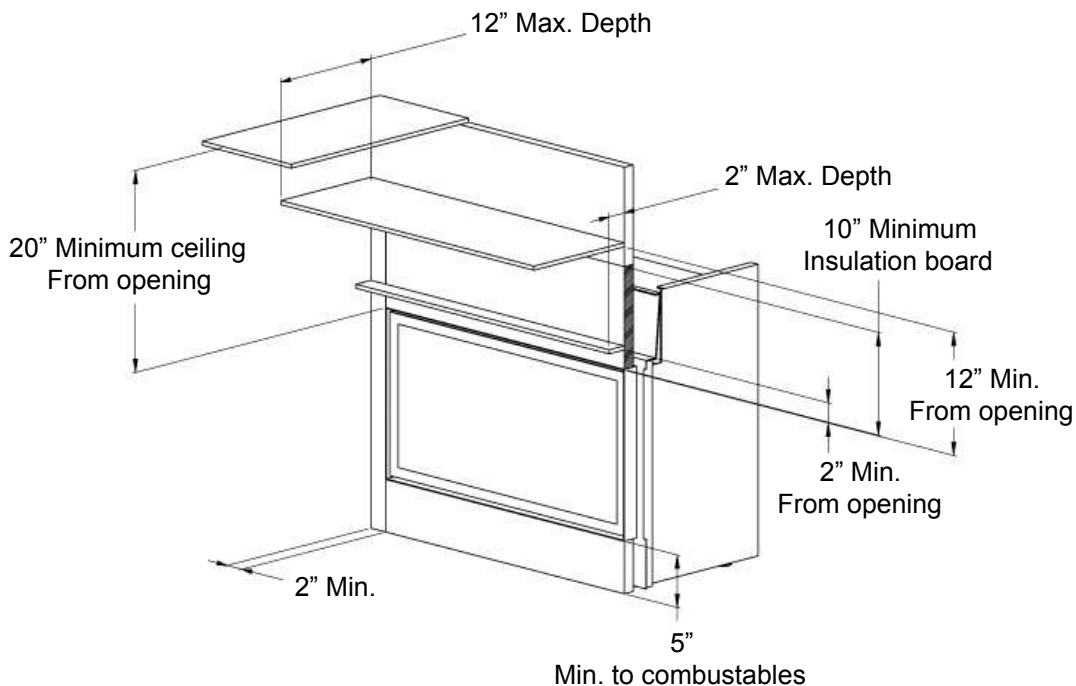
Do not use fibreglass or Rockwool, or similar material. These materials emit a pungent odour, which is considered extremely unpleasant.

Plate material	Thermal conductivity BTU/(ft <sup>2</sup> .h.°F/in) (W.m.K)
Promat Promatect L insulating board	0.57 (0.083)
Skamol Skamotec 225	0.416 (0.06)
Skamol Super-Isol	0.55 (0.08)

**Table 1: Suitable insulation material**

## Mantel clearances

Any mantel piece made of combustible material should be placed at least 2" from the side and top of the fireplace opening. Minimum mantel clearances are shown in figure 3 to 5.



**Figure 3: Mantel clearances**

# CLEARANCES

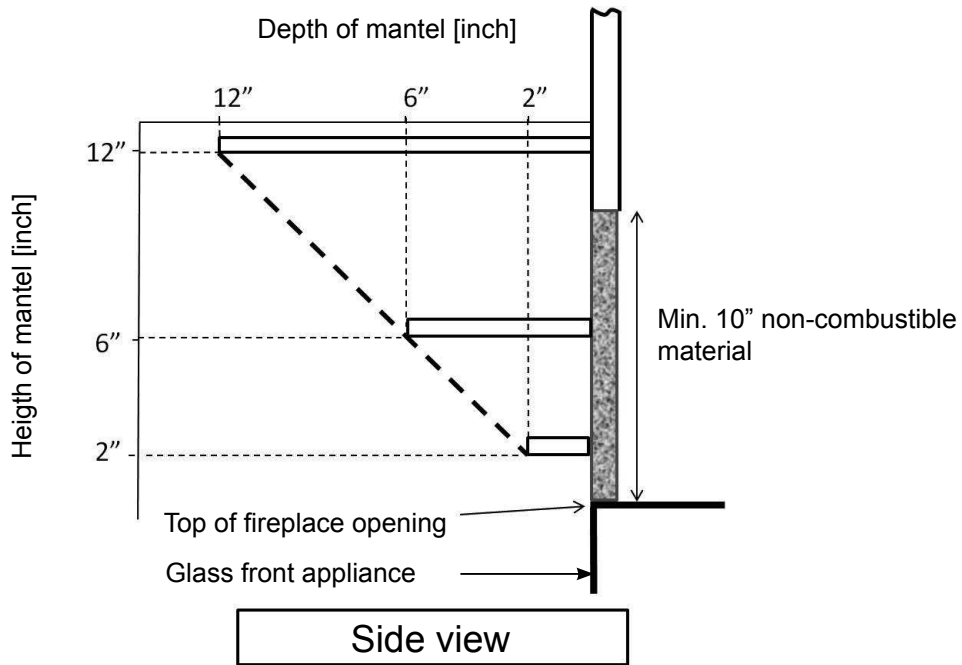


Figure 4: Top mantel clearances

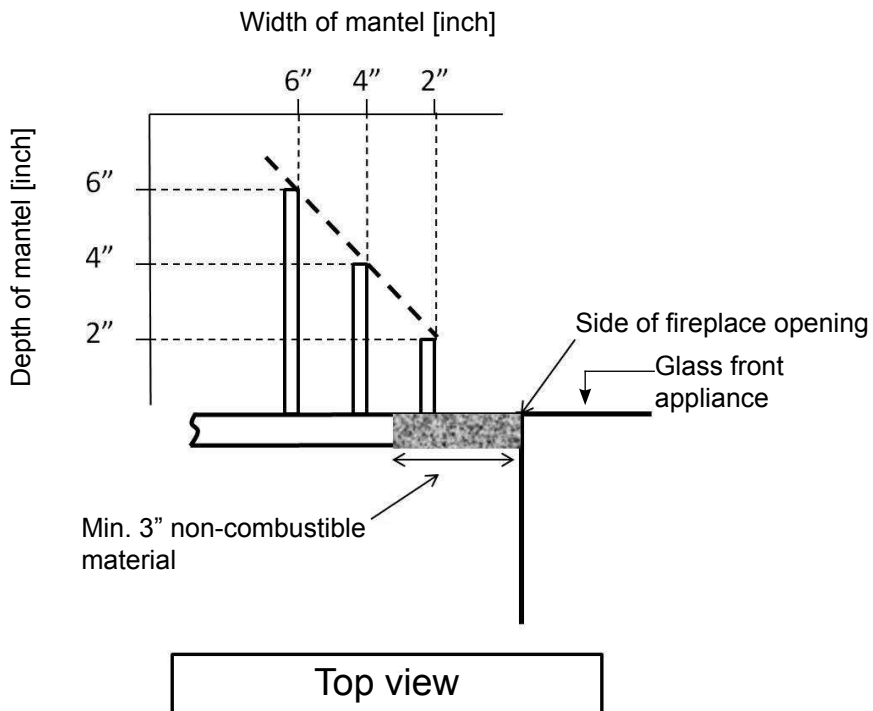
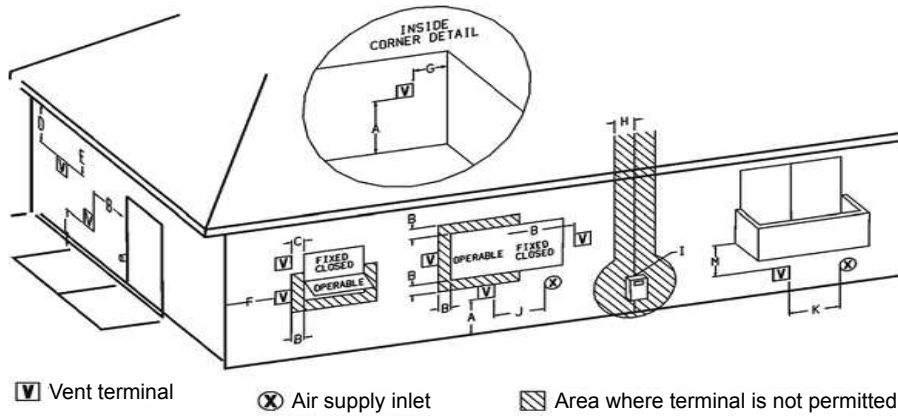


Figure 5: Side mantel clearances

# VENT INSTALLATION



	Canadian Installations <sup>1</sup>	US Installations <sup>2</sup>
A=Clearance above, grade,	12 in (30 cm) veranda, porch, deck or balcony	12 in (30 cm)
B=Clearance to window, or door that may be opened	6 in (15 cm) for appliances ≤ 10,000 Btuh (3 kW), 12 in (30 cm) for appliances > 10,000 Btuh (3 kW) and ≤ 100,000 Btuh (30 kW), 36 in (91 cm) for appliances > 100,000 Btuh (30 kW)	6 in (15 cm) for appliances ≤ 10,000 Btuh (3 kW), 9 in (23 cm) for appliances > 10,000 Btuh (3 kW) and ≤ 50,000 Btuh (15 kW), 12 in (30 cm) for appliances > 50,000 Btuh (15 kW)
C=Clearance to permanent- ly closed window	3 ft (91 cm)	3 ft (91 cm)
D=Vertical clearance to ventilated soffit located above the terminal within a horizontal distance of 2 feet (610 mm) from the center line of the terminal	18 in (46 cm)	18 in (46 cm)
E=Clearance to unventilated soffit	12 in (30.5 cm)	12 in (30.5 cm)
F=Clearance to outside corner	20 in (50.8 cm)	20 in (50.8 cm)



## VENT INSTALLATION

	Canadian Installations <sup>1</sup>	US Installations <sup>2</sup>
G=Clearance to inside corner	20 in (50.8 cm)	20 in (50.8 cm)
H=Clearance to each inside of center line extended above meter/regulator assembly	3 ft (91 cm) within a height 15 ft (4.5m) above the meter/regulator assembly	3 ft (91 cm) within a height 15 ft (4.5m) above the meter/regulator assembly
I = Clearance to service regulator vent outlet	3 ft (91 cm)	3 ft (91 cm)
J= Clearance to non-mechanical air supply inlet to building or the combustion air inlet to any other appliance	6 in (15 cm) for appliances ≤ 10,000 Btuh (3 kW), 12 in (30 cm) for appliances > 10,000 Btuh (3 kW) and ≤ 100,000 Btuh (30 kW), 36 in (91 cm) for appliances > 100,000 Btuh (30 kW)	6 in (15 cm) for appliances ≤ 10,000 Btuh (3 kW), 9 in (23 cm) for appliances > 10,000 Btuh (3 kW) and ≤ 50,000 Btuh (15 kW), 12 in (30 cm) for appliances > 50,000 Btuh (15 kW)
K=Clearance to a mechanical air supply inlet	6 ft (1.83 m)	3 ft (91 cm) above if within 10 ft (3 m) horizontally
L= Clearance above paved sidewalk or paved driveway located on public property	7 ft (2.13 m) †	7 ft (2.13 m) †
M=Clearance under veranda, porch, deck or balcony	20 in (51 cm) ‡	20 in (51 cm) ‡

1 In accordance with the current CSA-B149 Installation Codes.

2 In accordance with the current ANSI Z223.1/NFPA 54 National Fuel Gas Codes.

† A vent shall not terminate directly above a sidewalk or paved driveway that is located between two single family dwellings and serves both dwellings.

‡ Permitted only if veranda, porch, deck or balcony is fully open on a minimum of two sides beneath the floor.

NOTE: Local codes or regulations may require different clearances. Interfocos assumes no responsibility for the improper performance of the appliance when the venting system does not meet these requirements.

# VENT INSTALLATION

## AVAILABLE COMPONENTS FOR THE M&G DuraVent - DirectVent Pro CONCENTRIC FLUE SYSTEM

4" - 6<sup>5</sup>/<sub>8</sub>"

Item no	Description	DuraVent Part no
1	Horizontal Termination-Round Termination Cap	46DVA-HRCS
2	Horizontal Termination-High Wind Square Termination Cap	46DVA-HC
3	Horizontal Termination-Sconce Termination Cap	46DVA-HSC
4	Horizontal Termination-High Wind Sconce Termination Cap	46DVA-HSCH
5	Vertical Termination-Low Profile Termination Cap	46DVA-VC
6	Vertical Termination-High Wind Termination Cap	46DVA-VCH
7	Vertical Wind Guard-Only for High Wind Termination Cap	46DVA-VWG
8	6" Pipe Length	46DVA-06
9	9" Pipe Length	46DVA-09
10	12" Pipe Length	46DVA-12
11	18" Pipe Length	46DVA-18
12	24" Pipe Length	46DVA-24
13	36" Pipe Length	46DVA-36
14	48" Pipe Length	46DVA-48
15	60" Pipe Length	46DVA-60
16	8½" Pipe Extension	46DVA-08A
17	16" Pipe Extension	46DVA-16A
18	11"-17" Adjustable Pipe	46DVA-17TA
19	17"-24" Adjustable Pipe	46DVA-24TA
20	30° Elbow	46DVA-E30
21	45° Elbow	46DVA-E45
22	60° Elbow	46DVA-E60
23	90° Elbow	46DVA-E90
24	Flashing, 0/12 to 6/12 Roof Pitch	46DVA-F6
25	Steep Roof Flashing, 7/12 to 12/12 Roof Pitch	46DVA-F12
26	Flat Roof Flashing	46DVA-FF
27	Dead Soft Aluminum Flashing, 0/12 to 6/12 Roof Pitch	46DVA-F6DS
28	Dead Soft Aluminum Flashing, 7/12 to 12/12 Roof Pitch	46DVA-F12DS
29	Storm Collar	46DVA-SC
30	Ceiling Firestop	46DVA-FS
31	Vinyl Siding Standoff	46DVA-VSS
32	Attic Insulation Shield	46DVA-IS
33	Wall strap	46DVA-WS

## VENT INSTALLATION

Item no	Description	DuraVent Part no
34	Bellfires Adapter Ø130 mm-200 mm(*) Bellfires → 4" x 6 5/8" DirectVent Pro	46DVA-ADB
35	Flex liner 4"	4DFA-25
36	Connector	4SL-316

# VENT INSTALLATION

## AVAILABLE COMPONENTS FOR THE M&G DuraVent - DirectVent Pro CONCENTRIC FLUE SYSTEM

5" - 8"

Item no	Description	DuraVent Part no
101	Horizontal Termination-Round Termination Cap	58DVA-HRCS
102	Horizontal Termination-High Wind Square Termination Cap	58DVA-HC
103	Horizontal Termination-Sconce Termination Cap	58DVA-HSC
104	Horizontal Termination-High Wind Sconce Termination Cap	58DVA-HSCH
105	Vertical Termination-Low Profile Termination Cap	58DVA-VC
106	Vertical Termination-High Wind Termination Cap	58DVA-VCH
107	Vertical Wind Guard-Only for High Wind Termination Cap	58DVA-VWG
108	6" Pipe Length	58DVA-06
109	9" Pipe Length	58DVA-09
110	12" Pipe Length	58DVA-12
111	18" Pipe Length	58DVA-18
112	24" Pipe Length	58DVA-24
113	36" Pipe Length	58DVA-36
114	48" Pipe Length	58DVA-48
115	60" Pipe Length	58DVA-60
116	8½" Pipe Extension	58DVA-08A
117	16" Pipe Extension	58DVA-16A
118	11"-17" Adjustable Pipe	58DVA-17TA
119	17"-24" Adjustable Pipe	58DVA-24TA
120	30° Elbow	58DVA-E30
121	45° Elbow	58DVA-E45
122	60° Elbow	58DVA-E60
123	90° Elbow	58DVA-E90
124	Flashing, 0/12 to 6/12 Roof Pitch	58DVA-F6
125	Steep Roof Flashing, 7/12 to 12/12 Roof Pitch	58DVA-F12
126	Flat Roof Flashing	58DVA-FF
127	Dead Soft Aluminum Flashing, 0/12 to 6/12 Roof Pitch	58DVA-F6DS
128	Dead Soft Aluminum Flashing, 7/12 to 12/12 Roof Pitch	58DVA-F12DS
129	Storm Collar	58DVA-SC
130	Ceiling Firestop	58DVA-FS
131	Vinyl Siding Standoff	58DVA-VSS
132	Attic Insulation Shield	58DVA-IS
133	Flex Adapter Starter	DVFF8A/8

## VENT INSTALLATION

Item no	Description	DuraVent Part no
134	Reducer: 5"x 8" to 4" x 6 5/8"	58DVA-J
135	Bellfires Adapter Ø130mm-200mm(*) Bellfires → 5"x 8" DirectVent Pro	58DVA-ADB
136	Wall strap	58DVA-WS

There are two basic types of direct-vent installation:

- Horizontal termination
- Vertical termination

The combined flue gas channel and combustion air intake requires one of concentric flue system configurations as depicted in figures 6 to 11.

### **CONCENTRIC FLUE SYSTEM**

#### **IMPORTANT:**

- Due to the high temperature of the outer walls (approx. 150°C), no flammable materials may be located or used in the vicinity of the flue system. The complete flue system, must therefore be sleeved with a heat resistant material after assembly.
- Ventilate the covered concentric flue by fitting a grid near the floor and ceiling (on each floor).
- Do not insulate the concentric flue.

# VENT INSTALLATION

## RIGID CONCENTRIC FLUE Ø4" - Ø6 5/8" SYSTEM CONNECTION POSSIBILITIES

Appliance: Concentric flue connection Ø5" - Ø8"

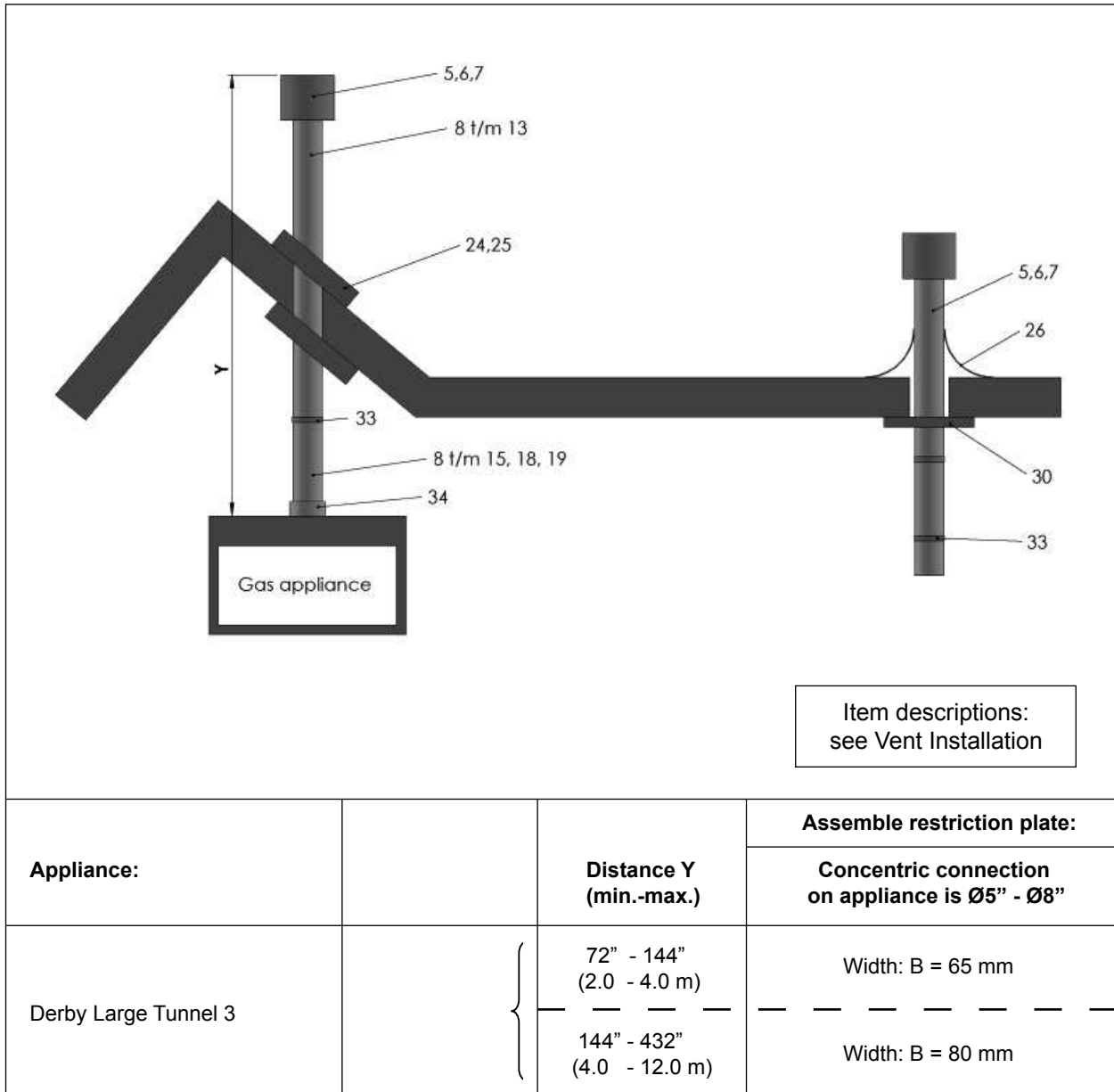
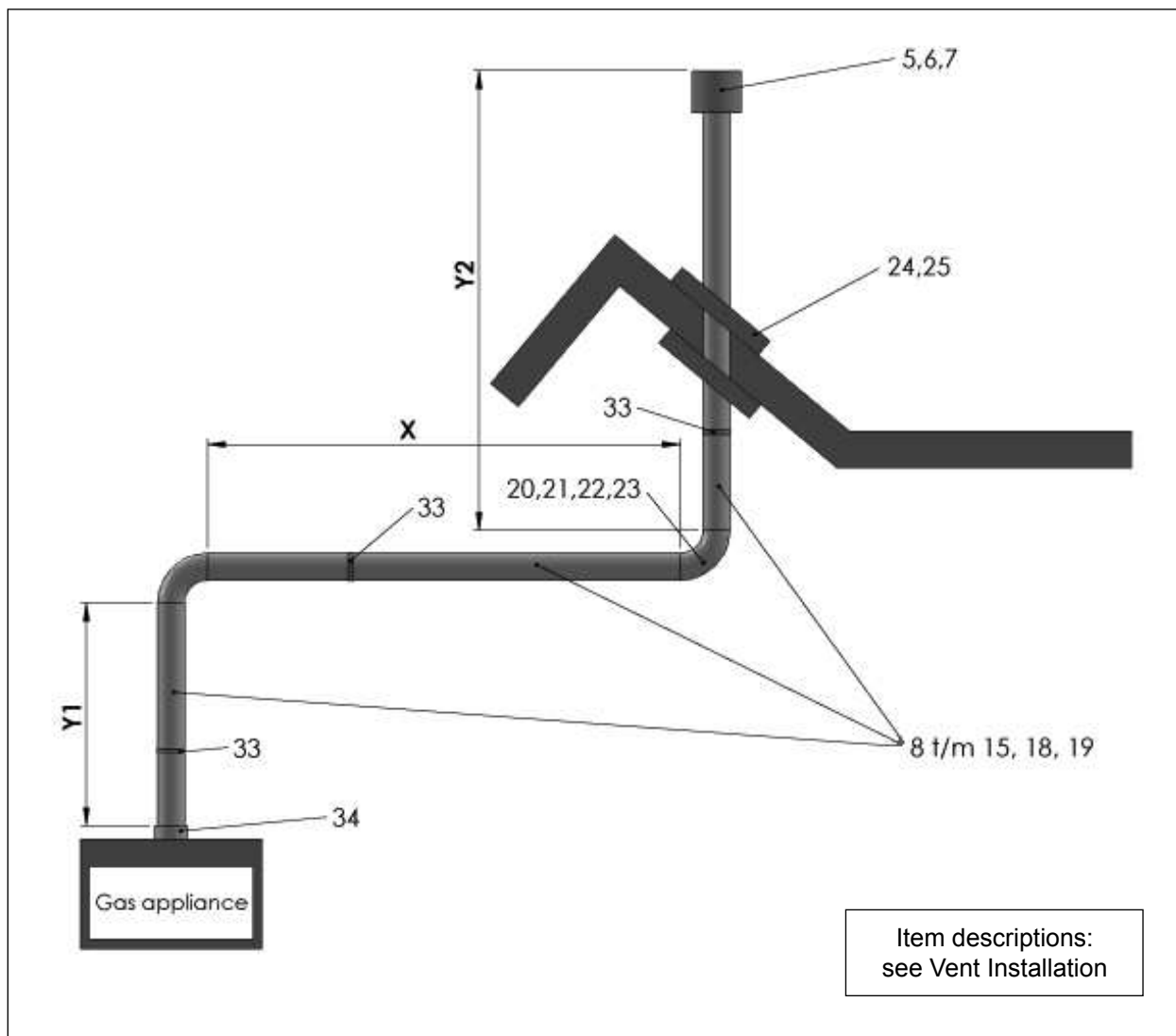


Figure 6: Vertical roof-mounted outlet without bend

ALL SIZES INCLUDE THE LENGTH OF THE ROOF OR WALL TERMINATION

# VENT INSTALLATION



Appliance:	Distance $Y_1$ (*) (min.-max.)	Distance X (*) (min.-max.)	Distance $Y_1 + Y_2$ (*) (min.-max.)	Assemble restriction plate:
				Concentric connection on appliance is Ø5" - Ø8"
Derby Large Tunnel 3	36" - 396" (1.0 - 11.0 m)	0" - 108" (1.0 - 3.0 m)	36" - 396" (1.0 - 11.0 m)	Width: B = 40 mm

(\*) :  $(Y_1 + Y_2) : X \geq 2 : 1$   
 (Vertical to horizontal ratio (or 45° upwards) is always at least 2 to 1)

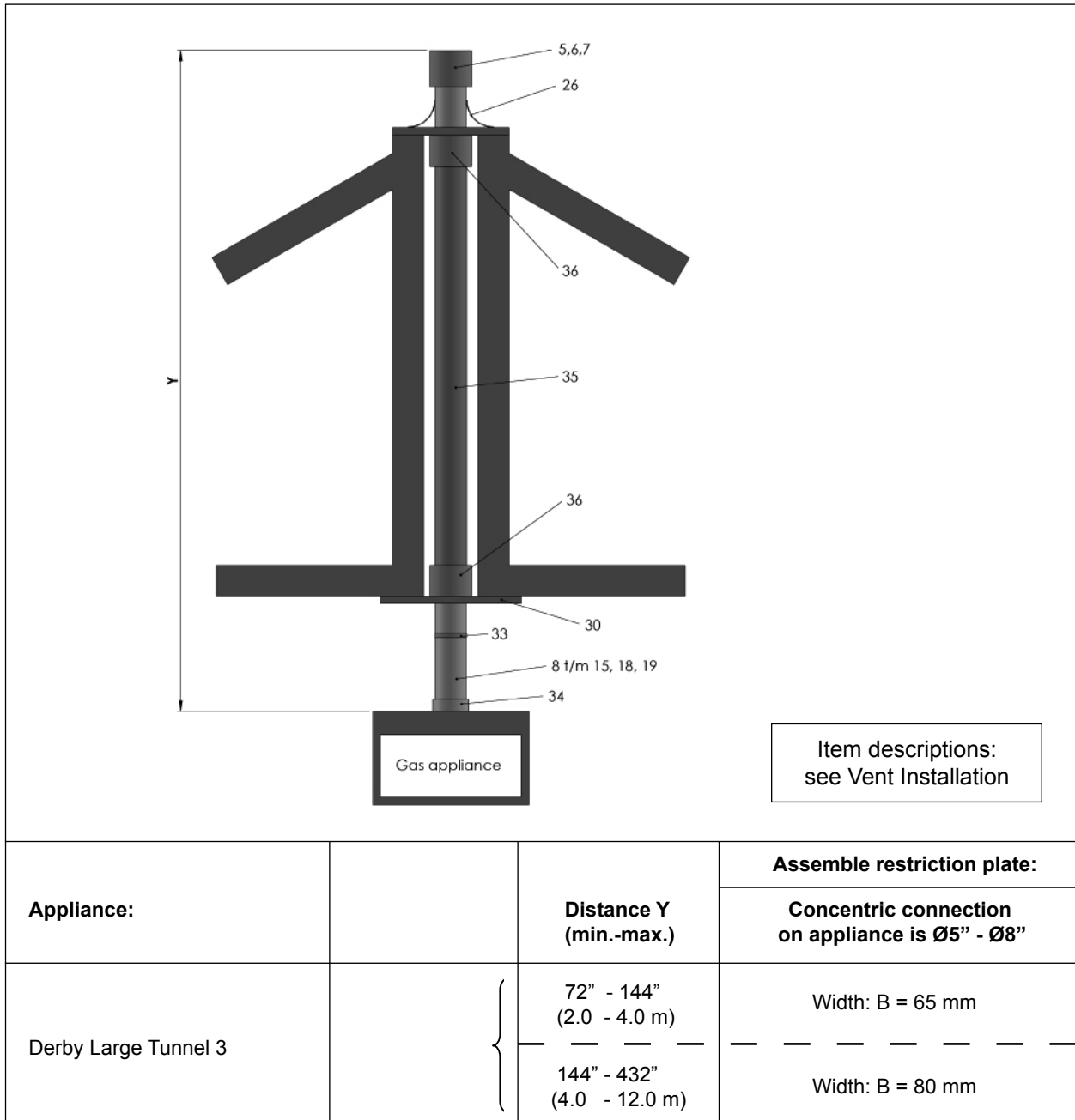
**Figure 7: Vertical roof-mounted outlet with bend**

ALL SIZES INCLUDE THE LENGTH OF THE ROOF OR WALL TERMINATION

# VENT INSTALLATION

## FLEXIBLE CONCENTRIC FLUE Ø4" - Ø6 5/8" SYSTEM CONNECTION POSSIBILITIES

**Appliance: Concentric flue connection Ø5" - Ø8"**

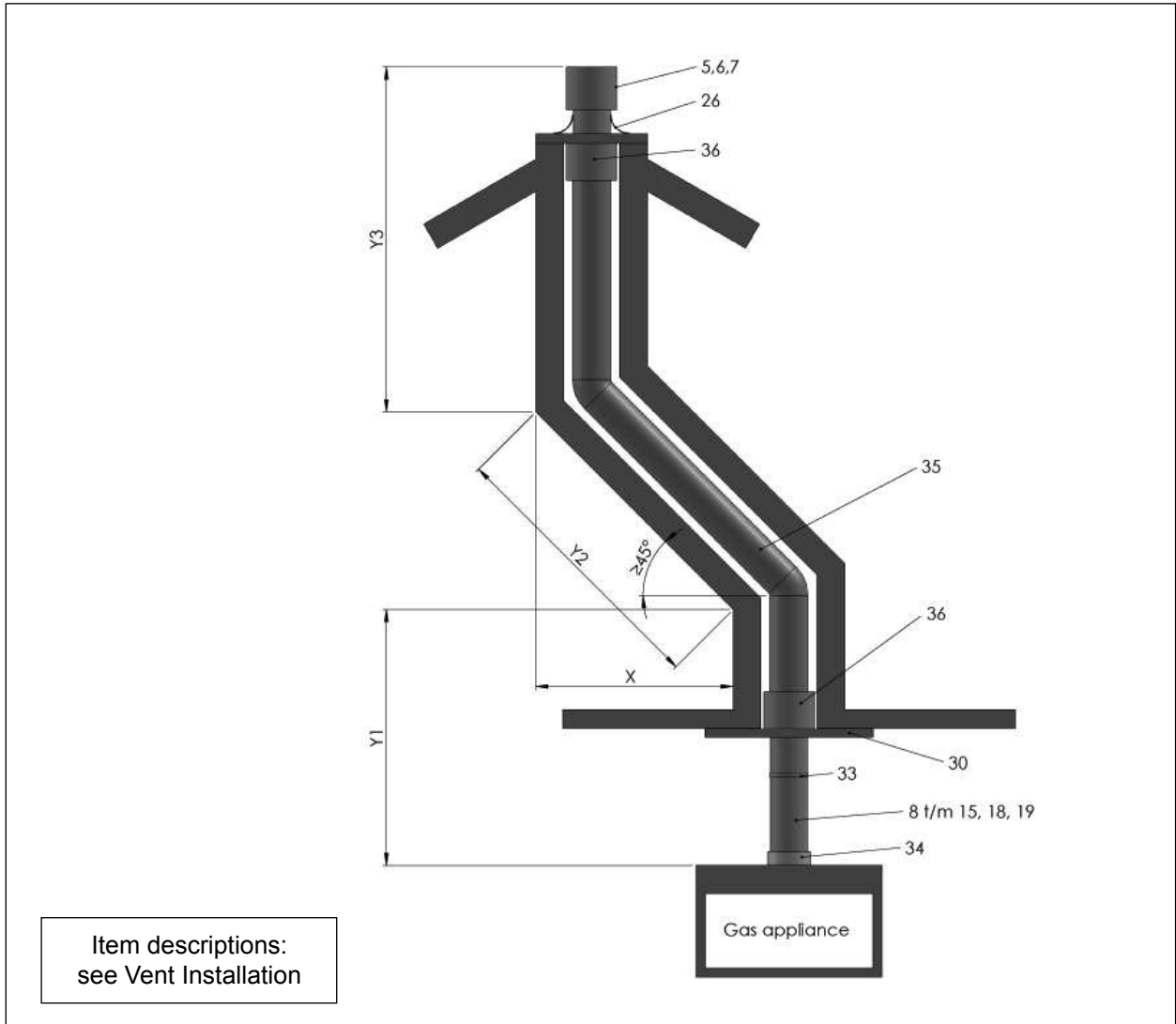


**Figure 8: Vertical chimney outlet using an existing lined chimney**  
(Flexible Ø4" and/or rigid Ø4" / Ø6 5/8")

ALL SIZES INCLUDE THE LENGTH OF THE ROOF OR WALL TERMINATION



# VENT INSTALLATION



Appliance:	Distance $Y_1$ (*) (min.-max.)	Distance $X$ (*) (min.-max.)	Distance $Y_1+Y_2+Y_3$ (*) (min.-max.)	Assemble restriction plate:
				Concentric connection on appliance is $\text{Ø}5'' - \text{Ø}8''$
Derby Large Tunnel 3	36" - 396" (1.0 - 11.0 m)	0" - 108" (1.0 - 3.0 m)	36" - 396" (1.0 - 11.0 m)	Width: B = 40 mm

(\*) :  $(Y_1 + Y_2 + Y_3) : X \geq 2 : 1$   
 (Vertical to horizontal ratio (or  $45^\circ$  upwards) is always at least 2 to 1)

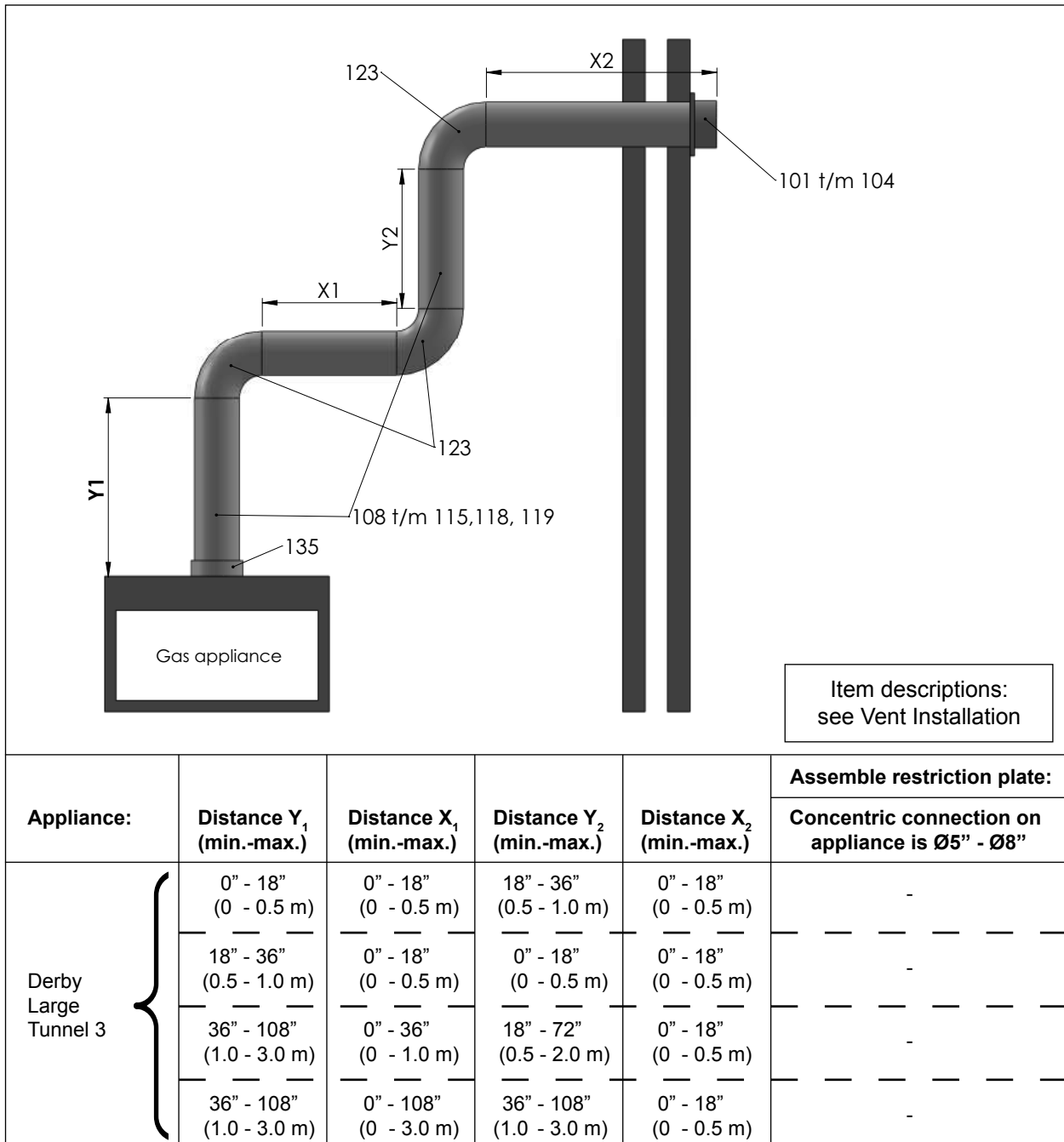
**Figure 9: Vertical chimney outlet using a lined chimney with a bend  $\geq 45^\circ$**   
 (Flexible  $\text{Ø}4''$  and/or rigid  $\text{Ø}4'' / \text{Ø}6 \frac{5}{8}''$ )

ALL SIZES INCLUDE THE LENGTH OF THE ROOF OR WALL TERMINATION

# VENT INSTALLATION

## RIGID CONCENTRIC FLUE Ø5" - Ø8" SYSTEM CONNECTION POSSIBILITIES and with wall outlet Ø5" - Ø8"

**Appliance: Concentric flue connection Ø5" - Ø8"**



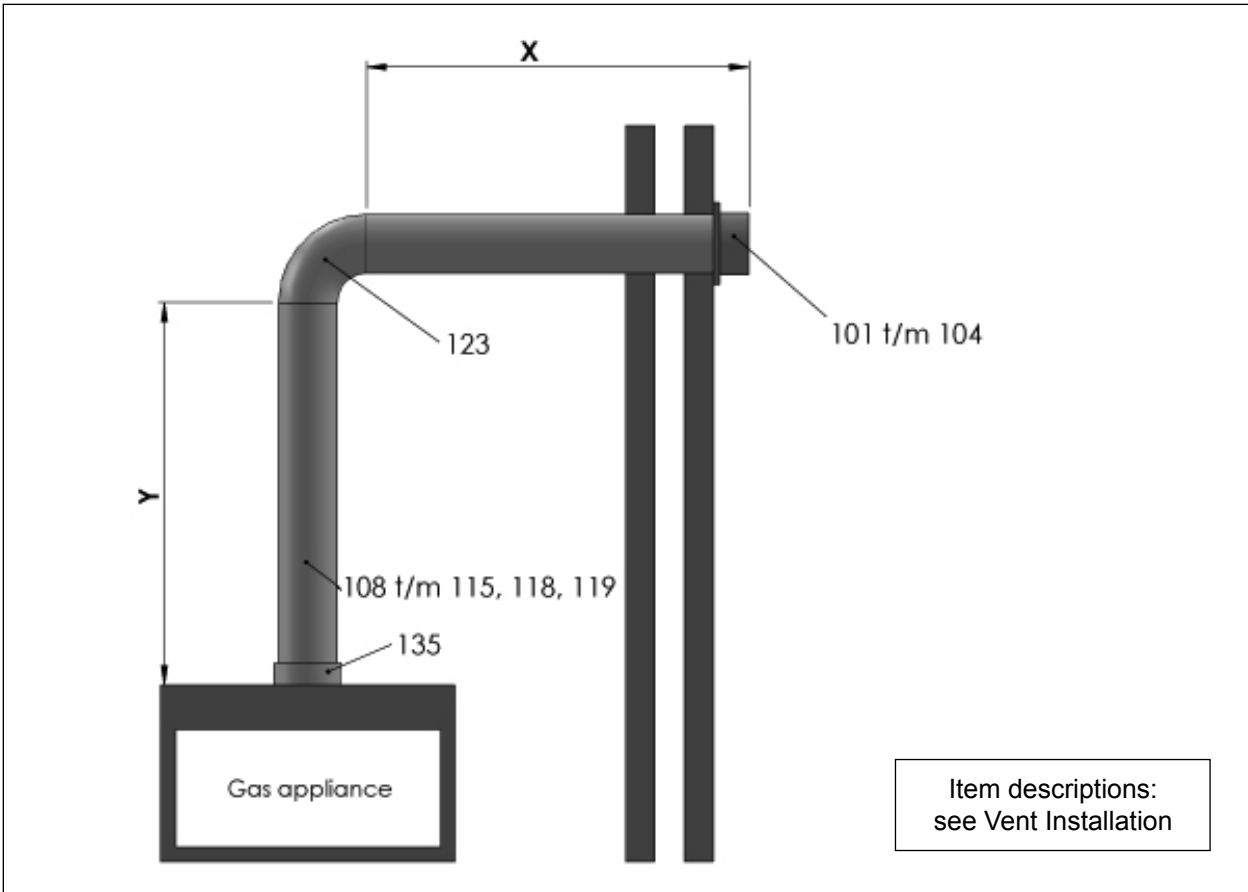
**Figure 10: Horizontal wall termination**

ALL SIZES INCLUDE THE LENGTH OF THE ROOF OR WALL TERMINATION

# VENT INSTALLATION

**RIGID CONCENTRIC FLUE Ø5" - Ø8" SYSTEM CONNECTION**  
**POSSIBILITIES and with wall outlet Ø5" - Ø8"**

**Appliance: Concentric flue connection Ø5" - Ø8"**



Appliance:	Distance Y (min.-max.)	Distance X (min.-max.)	Assemble restriction plate:
			Concentric connection on appliance is Ø5" - Ø8"
Derby Large Tunnel 3	0" - 18" (0 - 0.5 m)	0" - 18" (0 - 0.5 m)	-
	18" - 36" (0.5 - 1.0 m)	0" - 54" (0 - 1.5 m)	-
	36" - 108" (1.0 - 3.0 m)	0" - 162" (0 - 4.5 m)	-

**Figure 11: Horizontal wall termination**

ALL SIZES INCLUDE THE LENGTH OF THE ROOF OR WALL TERMINATION

## POSITIONING THE APPLIANCE

### **IMPORTANT:**

- **The appliance must be constructed on a sufficiently solid floor that can bear the weight of the appliance.**
- **Ensure a free space of at least 0.4 in (1 cm) between the bottom of the appliance and the floor.**
- **Ensure that the temperature of the floor under and in front of the appliance can never rise above 185 °F (85°C)! Make use of a temperature protection plate (of noncombustible material) on the floor if necessary.**
- **Take care with a floor made of a combustible material.**
- **Refer for the minimum clearances to (non)combustible material to the “clearances” chapter elsewhere in this manual.**

- Never position the appliance directly against the rear wall, but always in accordance with the installation instructions in chapter; CLEARANCES. Use only the specified insulation plates!
- Never use combustible materials during the installation.
- Ventilate the fireplace, by allowing vents above and below the fireplace.
- During installation of the appliance, a clearance of 0.12” (3 mm) should be maintained on all sides of the appliance to allow for expansion of the appliance during operation.
- Do not insulate the appliance! Only the top and sides may be fitted with a strip of white, loose insulation wool (heat-resistant to 1832°F (1000°C)), width 6” (15 cm) max. to protect the wall.
- Do not use fibreglass or Rockwool, or any other sort of insulating material. These emit a pungent odour. This is considered extremely unpleasant. They may also cause discolouring of the column.
- Flammable materials, such as curtains, should not be placed in the vicinity of the appliance. Minimum safe distance: 40” (100 cm).

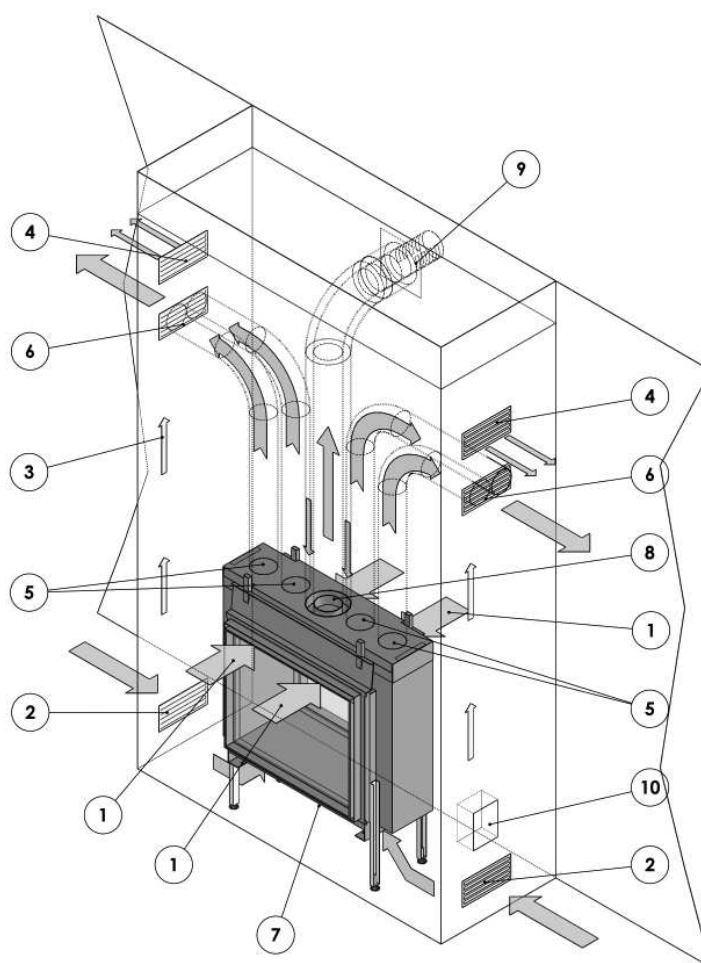
If desired, fit a convection package to the appliance. (See pre-installation instructions)

## POSITIONING THE APPLIANCE



The appliance can be easily installed using a set of carrying brackets (accessory).  
After installing: remove carrying brackets!

## POSITIONING THE APPLIANCE

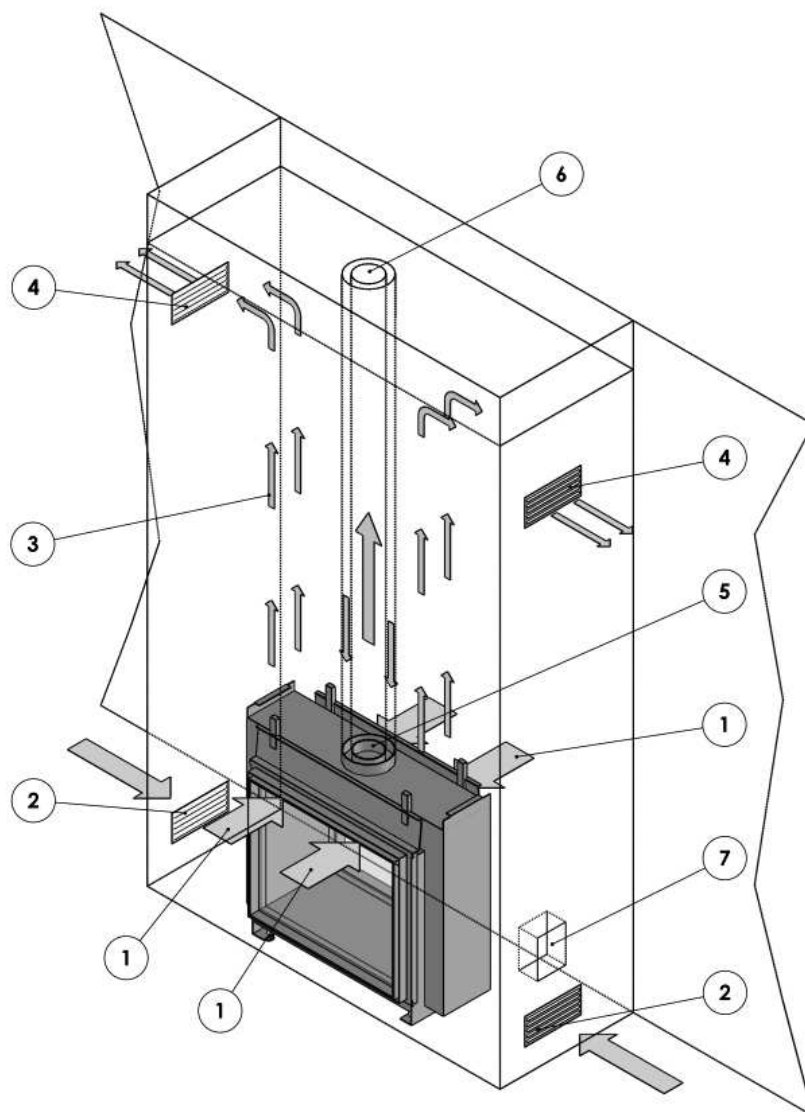


**Figure 12: Appliance installed in ventilated chimney breast**  
**Horizontal outlet of the flue gas exhaust / combustion air supply via the wall. Fitted with the options / accessories:**

- convection package (= convection casing and 1x convection set)
- 1x extra convection set
- high adjustable feet

- 
- 1 Inlet opening (appliance) convection air
  - 2 Inlet opening (grate) (chimney breast) convection air
  - 3 Natural convection in the chimney breast
  - 4 Outlet opening (grate) (chimney breast) natural convection air
  - 5 Outlet opening (appliance) convection air / connection convection set (2x or 4x)
  - 6 Outlet opening (grill convection set) (chimney breast) convection air (2x or 4x)
  - 7 -
  - 8 Concentric flue connection appliance; Ø5" - Ø8" for a horizontal wall outlet
  - 9 Horizontal wall outlet
  - 10 Built in operating unit with gas regulator block and receiver

## POSITIONING THE APPLIANCE



**Figure 13: Appliance installed in ventilated chimney breast  
Vertical outlet of the flue gas exhaust / combustion air supply  
via the roof. Fitted without convection package**

- 
- 1 Inlet opening (appliance) convection air
  - 2 Inlet opening (grate) (chimney breast) convection air
  - 3 Natural convection in the chimney breast
  - 4 Outlet opening (grate) (chimney breast) convection air (2x)
  - 5 Concentric flue connection appliance;  $\text{Ø}5'' - \text{Ø}8''$ , with a reducer ( $5'' - 8'' \rightarrow 4'' - 6\frac{5}{8}''$ ) for a vertical roof outlet
  - 6 Concentric flue system;  $\text{Ø}4'' - \text{Ø}6\frac{5}{8}''$  for a vertical roof outlet
  - 7 Built in operating unit with gas regulator block and receiver

## POSITIONING THE APPLIANCE

When fitting the appliance, it can be levelled with the adjustable feet. These adjustable feet can be reached via the openings (4x), after removing the protective covers, in the corners of the floor of the combustion chamber.

The floor of the combustion chamber can be reached after the window and the grill around the burner have been removed (see Chapter: "DISMANTLING / ASSEMBLING OF THE GLASS").

Using an Allen key (no. 5), the appliance can be adjusted to the required height.

### **IMPORTANT:**

**Press the 4 protecting covers back into the floor.**



## POSITIONING THE APPLIANCE



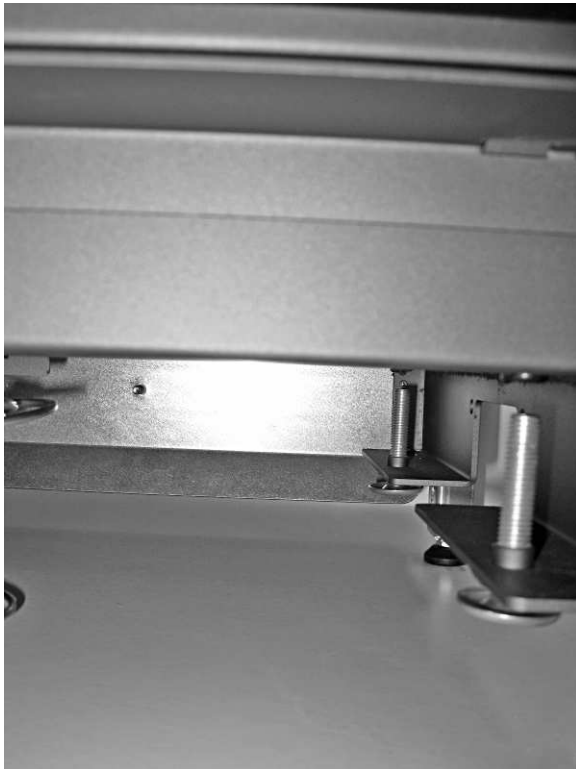
Press the 4 protecting covers back into the floor.



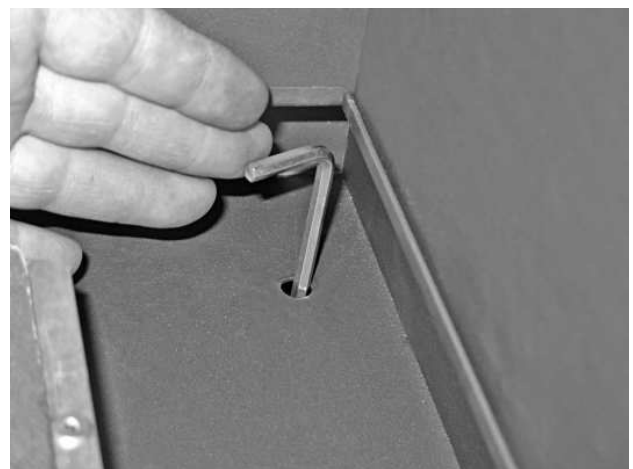
- Position 4 protecting covers.



- Protecting cover.



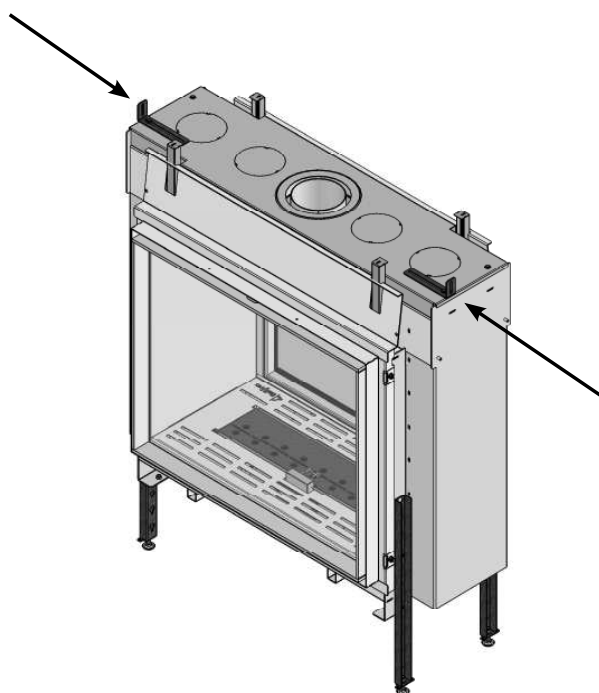
- Adjustable feet seen from the bottom of the appliance.



- Adjust height with Allenkey no. 5.

## POSITIONING THE APPLIANCE

- Position the gas supply pipe such that it can be easily mounted after installation. Because the control system is outside the appliance, the gas pipe must lead to where the operating unit (built in), the gas regulator block (and the receiver) assembly are fitted.
- Position the appliance in accordance with the installation instructions in chapter; CLEARANCES. Use only the specified insulation plates.
- Attach the appliance to the rear wall with 2 wedge bolts. Use the adjustable mounting brackets at the side of the appliance for this.



- 2x Mounting bracket.

### **WARNING:**

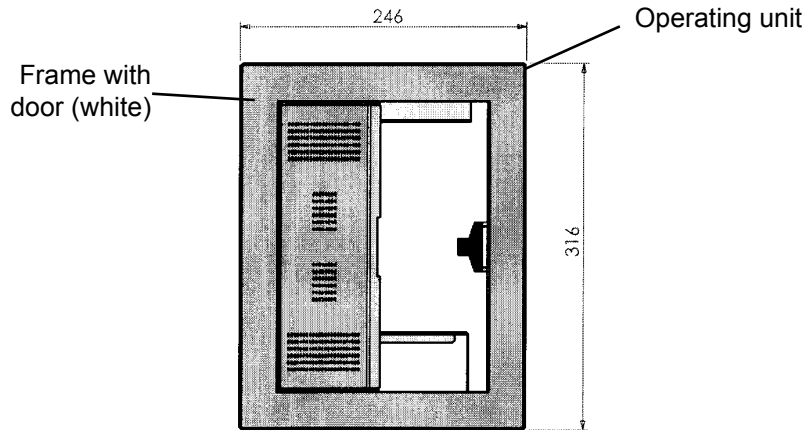
Connection of the appliance to gas supply must be performed by a qualified installer, service agency or the gas supplier. Follow the local codes.

### **IMPORTANT:**

During gas connection, take care not to twist the gas regulator block. Make sure that both the gas regulator block and the supply pipes are not subjected to stresses.

# GAS LINE INSTALLATION

The appliance is supplied with a built-in operating unit.



**Figure 14: Operating unit**

Remove the decorative edging and door of the operating unit.

Fit the separate operating unit, where the gas regulator block and receiver will be placed, on max. 20" (50 cm) from the appliance.

The burner, gas regulator block and receiver have been fully factory assembled.

Disconnect the bracket with the gas regulator block and receiver from the appliance. Carefully move the bracket with the gas regulator block, receiver, pipes and cables to the operating unit. Mount the bracket at the bottom of the operating unit.

## **IMPORTANT:**

**Take care that no pipes get damaged and no compression fittings come loose when moving the gas regulator block. Prevent twisting the flexible pipes! Check all compression fittings for leaks afterwards!**

## GAS LINE INSTALLATION

Mount the receiver in the top of the operating unit. Check afterwards that all electric connections are properly connected.

Route all piping and cables from the operating unit to the appliance through an easily accessible hollow cavity.

During subsequent installation of the operating unit, protect the gas regulator block and piping against encasement by cement etc.

The gas line connection can be made using ½" rigid tubing or an approved flex connector. Since some municipalities have additional local codes it is always best to consult your local authorities and the current edition of the National Fuel Gas Code ANSI.Z223.1, NFPA54. In Canada CSA-B149 (1 or 2) Installation Code.

A CSA design-certified equipment shutoff valve must be installed upstream of the appliance. Contact your dealer for the purchase of CSA design-certified equipment shutoff valve. The gas regulator block is equipped with a screw type pressure test point (inlet pressure tap in figure 17). Therefore it is not necessary to provide a ⅛" test point up stream of the control.

The CSA design-certified shutoff valve (main gas valve) must be installed in an accessible location. This main gas valve is used for opening or closing off the gasflow to the appliance.

### **IMPORTANT:**

**Cement and chalk can damage the piping and can, in turn, lead to gas leaks.**

Disassembly and assembly of pipes and cables:

If necessary for mounting, all pipe compression fittings and cable connectors can be temporarily disassembled. After mounting, carefully reassemble all pipes and cables. Check afterwards all compression fittings for leaks and that all electric connections are properly connected.

### **IMPORTANT:**

**Screw the thermocouple connection (and thermocouple interrupter) manually into the gas regulator block. Afterwards, carefully fasten a half turn with a spanner.**

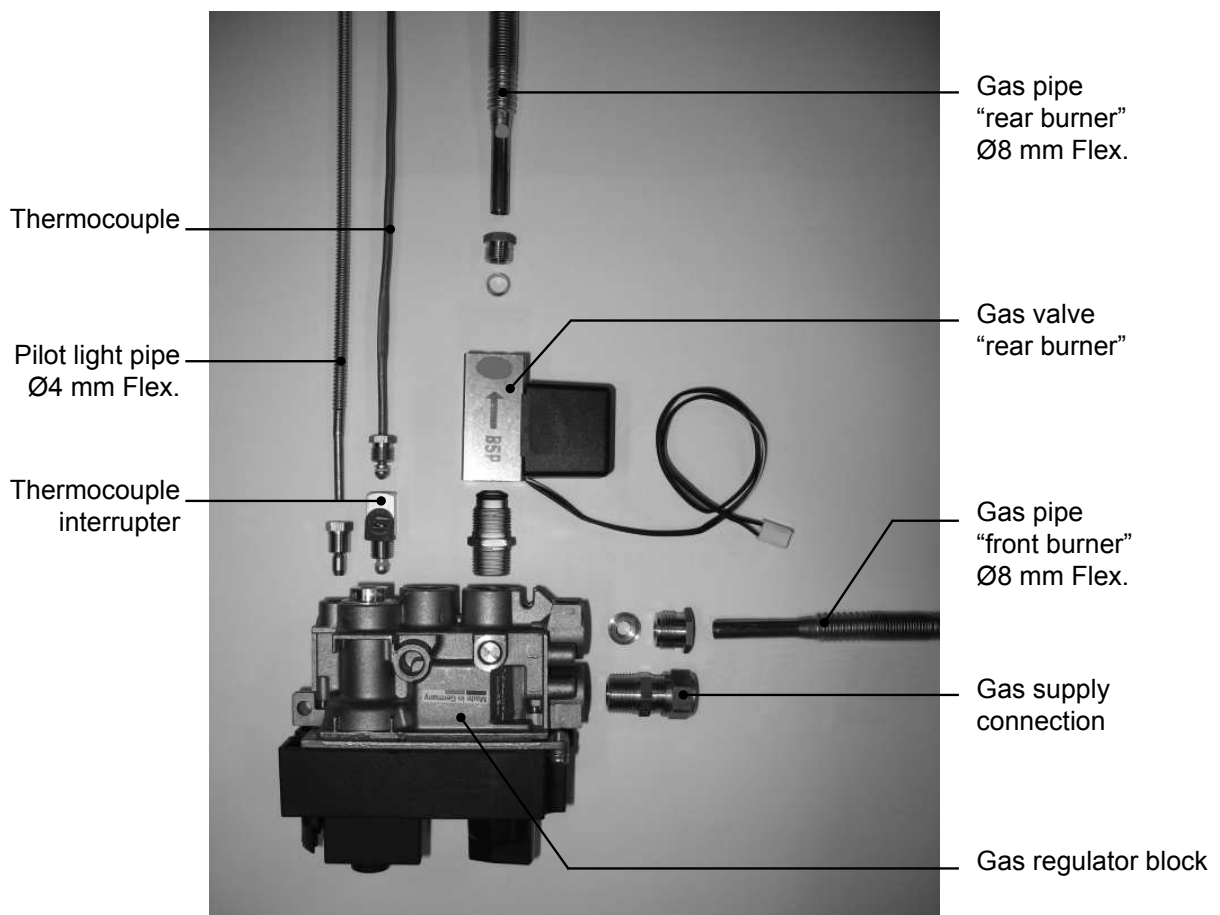
## GAS LINE INSTALLATION

Note: Check that the flexible burner pipes are correctly connected! The gas connection of the gas valve “rear burner” must be connected to the “rear burner”!  
See figure 15 and Chapter; DIAGRAM ELECTRICITY AND GAS.

Switching over the flexible burner pipes during assembly can lead to an explosive ignition. Prevent this at all costs!

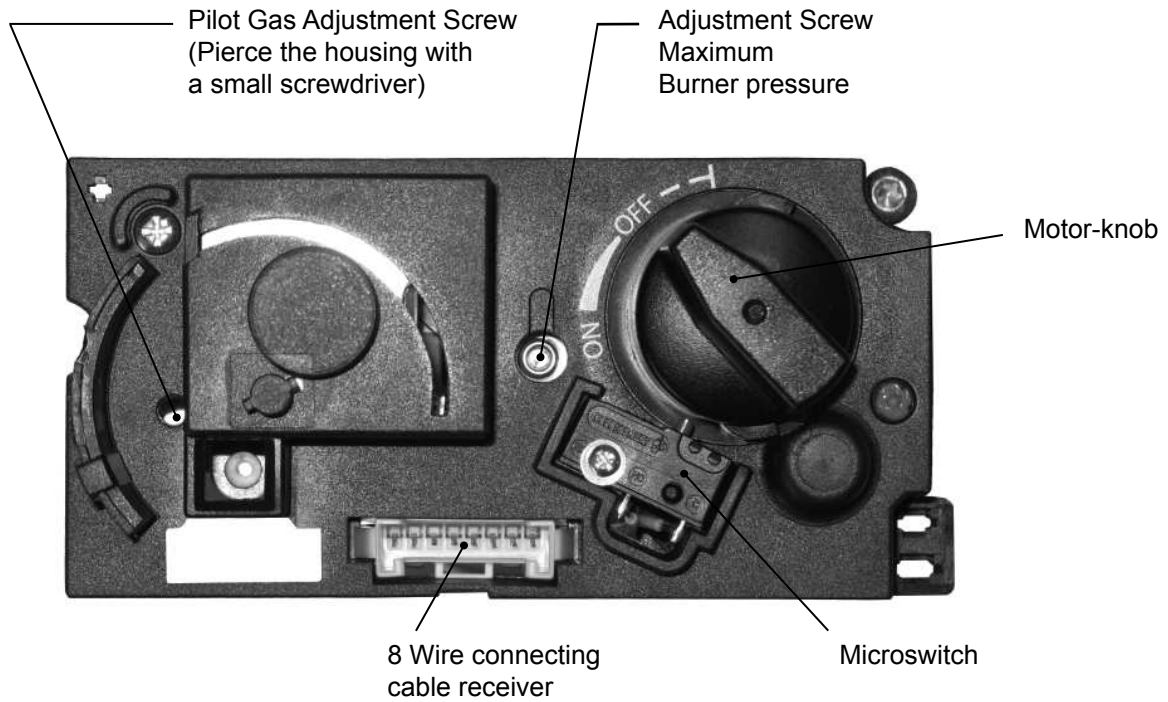
The appliance must not be subjected to any test pressures exceeding  $\frac{1}{2}$  psi (= 3.45 kPa = 34.5 mbar). Isolate or disconnect this and any other gas appliance control from the gas line when pressure testing.

After connection of the gas supply, check that all connections are completely gas tight using soapy water (mixture of 50/50 water and soap solution) or a leak tester.

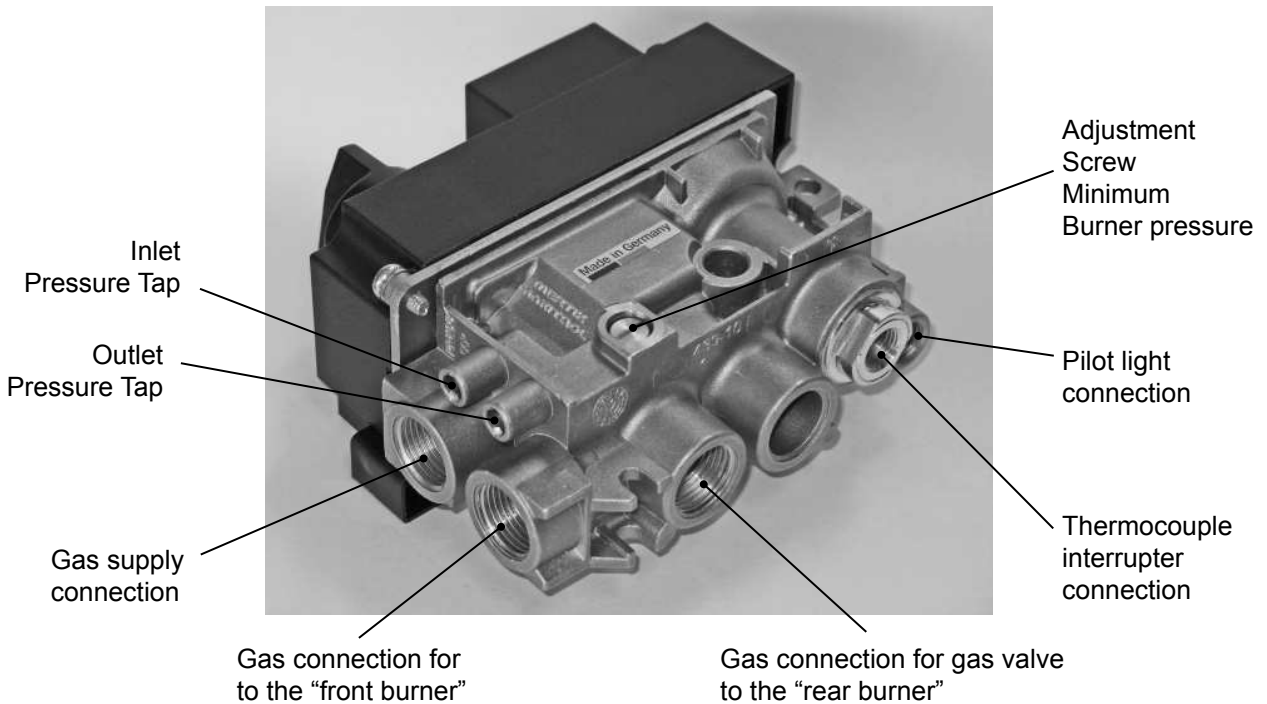


**Figure 15: Gas regulator block and gas valve: Gas and thermocouple connections**

# GAS LINE INSTALLATION

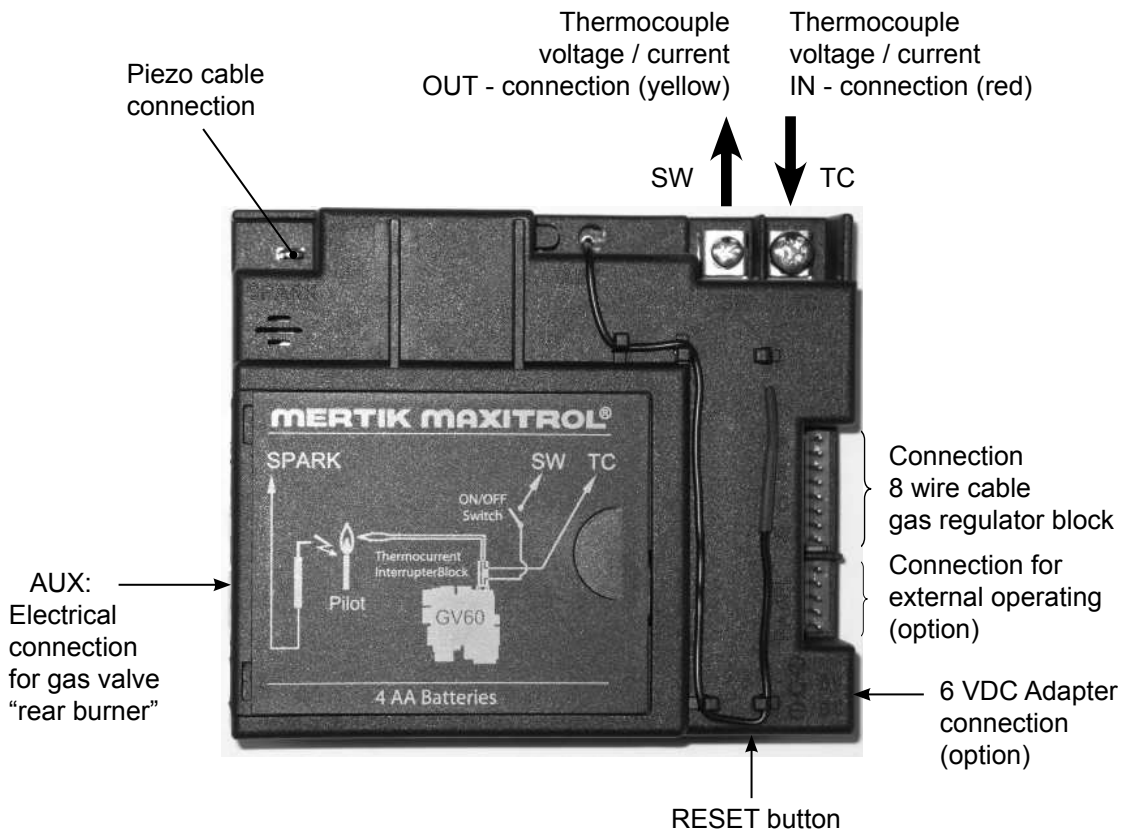


**Figure 16: Gas regulator block - Front**

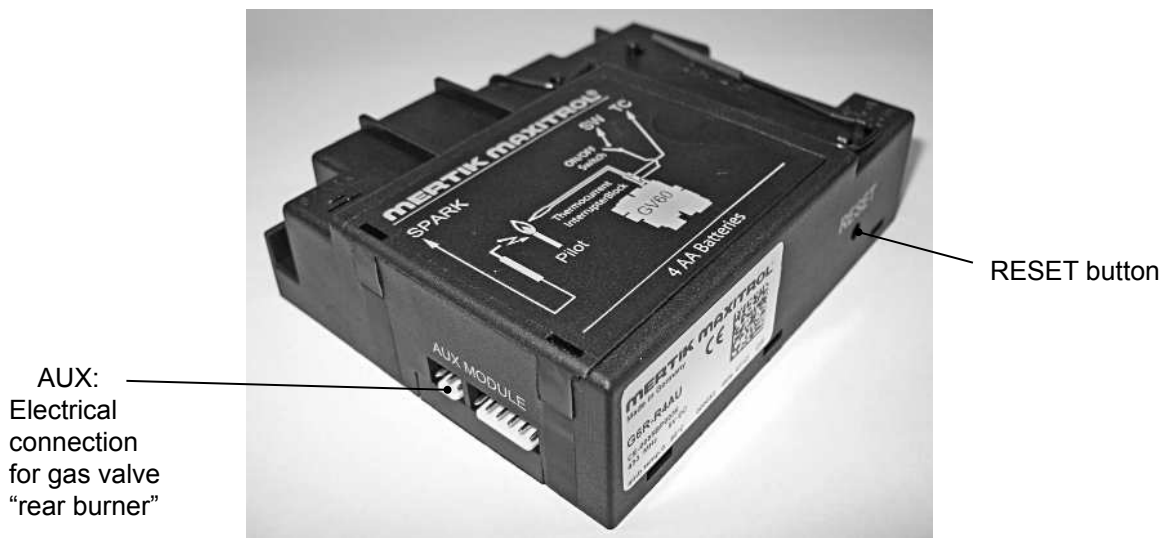


**Figure 17: Gas regulator block - Rear**

# GAS LINE INSTALLATION



**Figure 18: Receiver - Top**



**Figure 19: Receiver - AUX connection - RESET button**

## BUILDING IN THE APPLIANCE

Remove the front of the casing, if applicable. (See Chapter: DISMANTLING / ASSEMBLING OF THE GLASS.)

Decide on positions of the vents (grilles above and below the fireplace) and, if applicable, the hot air grids of the convection package.

The brickwork must be built up around the hearth. In connection with the hearth expanding during burning: there must be at least 0.12" (3 mm) clearance on either side of the appliance. Do not build up the brickwork farther than the angle irons/brackets (keep in mind the thickness of any plastering!).

### **IMPORTANT:**

**Do not use masking tape on the appliance when installing and plastering. Tape can damage the finish of the hearth.**

Connect up the convection package, if applicable.

The optional mantle iron is intended for supporting the brickwork above the hearth. The mantle iron must rest on the brickwork on both sides so that upward building is possible. The brickwork therefore must not rest on the fireplace; there must be approx. 0.12" (3 mm) clearance in connection with the weight.

If using other materials, such as stone or heat-resistant plating, you should follow the supplier's instructions.

Once the fireplace has been finished, you can now, fit the frame with the small door to the operating unit.

After installation in a new fireplace and/or applying new cement work, the appliance cannot be used for at least four weeks.



## PLACING OF CERAMIC LOG SET

### **IMPORTANT:**

- Carefully place the chips of wood/embers/vermiculite granules and log set, on and around the main burner according to the directions in this chapter.
- Do not place any chips of wood/embers/vermiculite granules or log set against the pilot light burner. For that reason, the main burner has a protective pilot-light cowl. Never remove this cowl! Make sure that the pilot flame can burn at all times freely over the main burner. Only in this way is proper ignition of the main burner ensured. Ignoring these directions could lead to a dangerous situation.
- Make sure that all burner orifices remains free at all times!
- The burner bed (with chips of wood/embers/vermiculite granules) and the positioning of the logs must not be changed.
- Only use those items supplied! These been rigorously checked and the quantities adapted to the appliance.
- Replacement parts, including the ceramic mat are available from your dealer.
- Fitting may only be carried out by a qualified person.

Remove the glass according to the instructions in Chapter: DISMANTLING / ASSEMBLING OF THE GLASS.

This section only applies for appliances delivered with a ceramic log set.

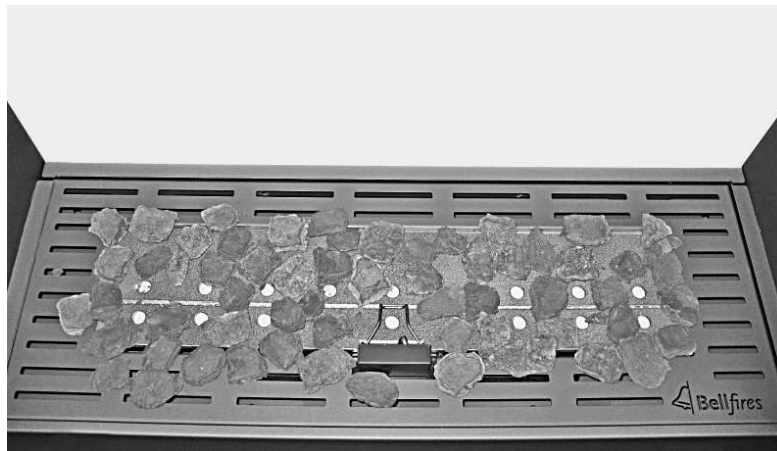
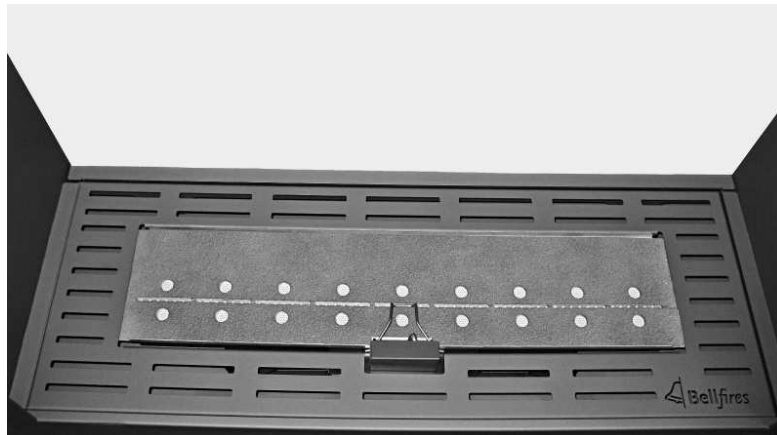
**WARNING:** Make sure that all burner openings remain free !!  
Burner orifices, which are not open, could lead to a dangerous situation.

#### **Ceramic log set + embers + vermiculite granules**

1. Place the ceramic mat on the burner in such a way that the holes in the mat are in line with the burner openings. (Note: The ceramic mat is already placed on the burner when delivered from the factory.)
2. Remove the embers carefully from their packaging and spread them evenly over the burner mat and the grate around the burner. **DO NOT COVER BURNER OPENINGS !**
3. Remove the black vermiculite granules from their packaging and distribute the vermiculite granules (50 gram) evenly over the burner. **DO NOT COVER BURNER OPENINGS !**

## PLACING OF CERAMIC LOG SET

**WARNING:** Embers and vermiculite granules should not block the large burner openings (Centre fire burner - 0.62 in (16 mm)). Embers and vermiculite must not be placed next to the pilot light burner.



4. Place the ceramic logs on the burner as shown in figure 20 and figure 21.  
Natural gas burner → refer to figure 20  
Propane burner → refer to figure 21

**WARNING:** Make sure that the ceramic logs do not cover the burner openings.

## PLACING OF CERAMIC LOG SET

### Logs:



Log no ①



Log no ②



Log no ③



Log no ④



Log no ⑤



Log no ⑥

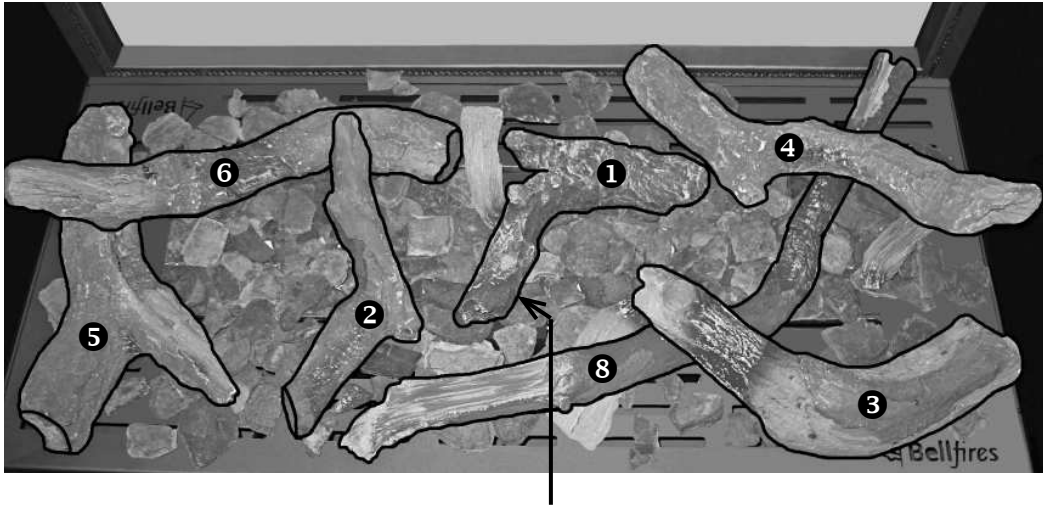


Log no ⑦



Log no ⑧

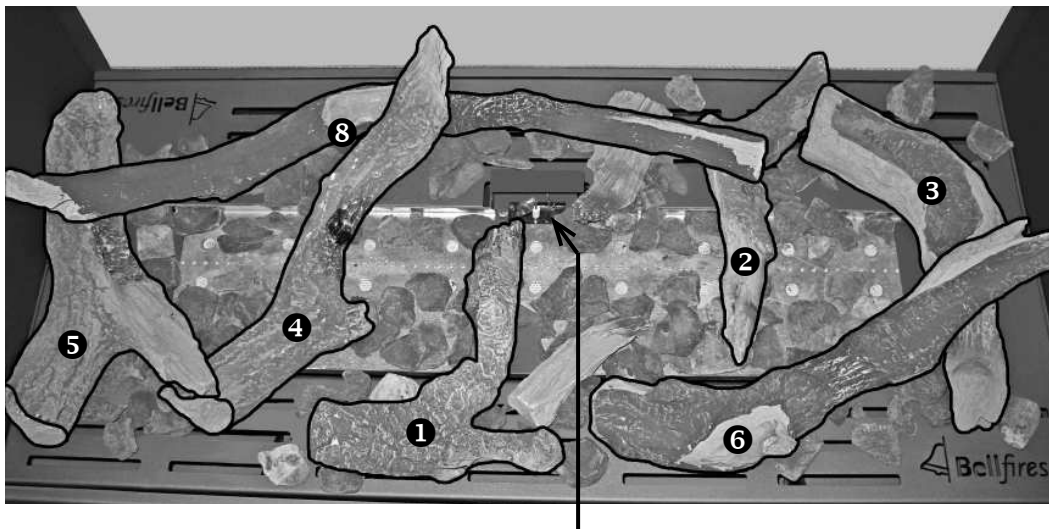
## PLACING OF CERAMIC LOG SET



Embers must not be placed next to the pilot light burner

Keep the burner orifices unblocked!

**Figure 20: Log set Derby Large Tunnel 3 CF  
Position natural gas burner**



Embers must not be placed next to the pilot light burner

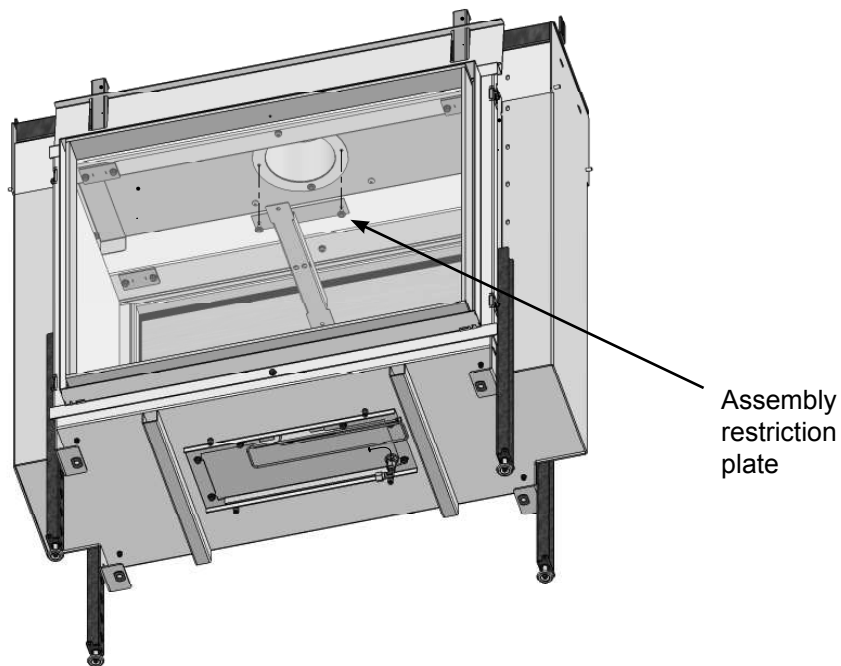
Keep the burner orifices unblocked!

**Figure 21: Log set Derby Large Tunnel 3 CF  
Position propane burner**

## MOUNTING OF FLUE GAS RESTRICTION PLATE

Depending on the length and shape of the concentric flue system and the chimney construction, you should, if indicated, fit a restriction plate with a certain width (B) into the ceiling of the combustion chamber.

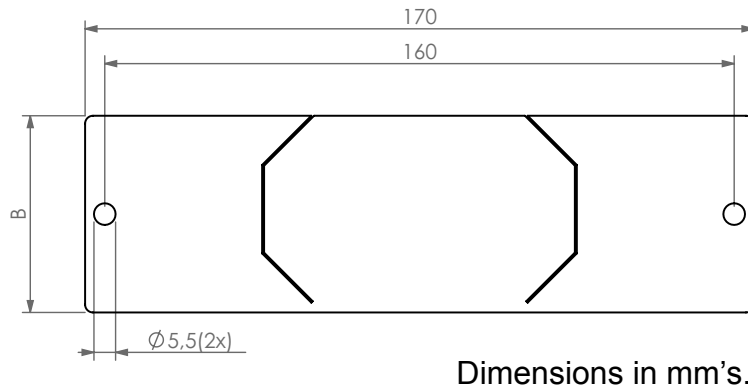
To do this, see the set-up options as listed in figure 6 through 11.



**Figure 22: Positioning restriction plate**

## MOUNTING OF FLUE GAS RESTRICTION PLATE

The following restriction plates are supplied:



Restriction plate:	Concentric flue connection appliance [Ø5" - Ø8"] (Roof terminal)
Width:	B = 40 mm
Width:	B = 50 mm
Width:	B = 65 mm
Width:	B = 80 mm

The size of each plate (in mm's) is printed on the plates.

After installation, visually check the gas flame. When the fire is ignited, the flames should be short and blue/yellow in colour. These flames should gradually increase in height and become more yellow. When all flames are yellow, the gas fire has reached the correct temperature.

THE GAS FIRE IS NOW READY FOR USE

## ANNUAL MAINTENANCE

### **IMPORTANT:**

**It is essential that the appliance, the complete concentric flue system (where possible) and the outlet are cleaned and inspected annually by a recognised fitter/gas specialist. The safe operation of the appliance will thus remain guaranteed.**

Maintenance consists of the following:

- Remove first the embers, vermiculite granules and logs set from the main burner and carefully clean these with a soft brush.
- Clean and inspect (visually) the main burner, pilot light, combustion chamber, flue system and combustion air intake. Dust can be removed using a vacuum cleaner.
- Clean the glass on the inside of the appliance with glass spray or ceramic hob cleaner. This also applies to the black mirror rear wall and side panels, if the appliance is fitted with these.
- After cleaning; Carefully replace the embers, vermiculite granules and logs set on and around the main burner according to the installation directions in this instruction booklet.

**Do not place any embers, vermiculite granules or logs against the pilot light burner. Make sure that the pilot flame can burn at all times freely over the main burner. Only in this way is proper ignition of the main burner ensured. Ignoring these directions could lead to a dangerous situation.**

- Check the gas supply, flue system, and combustion air supply route for leaks.
- Check the correct operation of the gas regulator block, thermocouple circuit and the ignition of the main burner.
- Check the gas inlet-pressure (both when the appliance is off and when it burns at maximum) and the burner pressure.
- Check the complete concentric flue system including the outlet construction. A camera can be used to inspect the whole length of the flue gas outlet and the combustion air intake. Also check that all connections are secure.

# FAULTS

## POSSIBLE REASONS

Possible reasons for the gas fire going out are:

- The concentric flue system is not installed according to one of the methods detailed in Vent Installation.
- An incorrect “flue gas restriction plate” is fitted.
- The pilot light extinguishes if fumes are not exhausted or are insufficiently exhausted.
- The pilot light is either dirty or defective.
- Insufficient gas pressure.
- (Internal) leak of the concentric flue system.
- Thermocouple voltage is too low. This is usually caused by insufficient heating of the thermocouple by the pilot light.
- Dirty electrical contacts in the thermo-electrical system; for example, the thermocouple connection.
- Batteries in receiver or remote control are flat.

## SAFETY MEASURES IN THE APPLIANCE

### Thermo-electric pilot light shut off

The appliance is protected by means of a thermo-electric pilot light shut off in the event of a gas escape from the main burner.

### Over pressure safety system

The appliance is fitted with a patented safety system, whereby the door will extract any over-pressure that arises in a controlled way. In this, a spring system briefly causes the door to hinge forward a few centimetres. A loud noise can occur.

A safety strip limits the maximum degree to which the door can be tilted.

If an over-pressure situation occurs, the appliance should be thoroughly checked by the installer.



## DISMANTLING / ASSEMBLING OF THE GLASS

**WARNING:** Do not operate appliance with the glass front removed, cracked or broken. Replacement of the glass should be done by a licensed or qualified service person.

Dismantling of the glass:



- Derby Large Tunnel 3  
Floating Frame



- Use the hook supplied (see photo)  
for opening the frame and the glass.



## DISMANTLING / ASSEMBLING OF THE GLASS



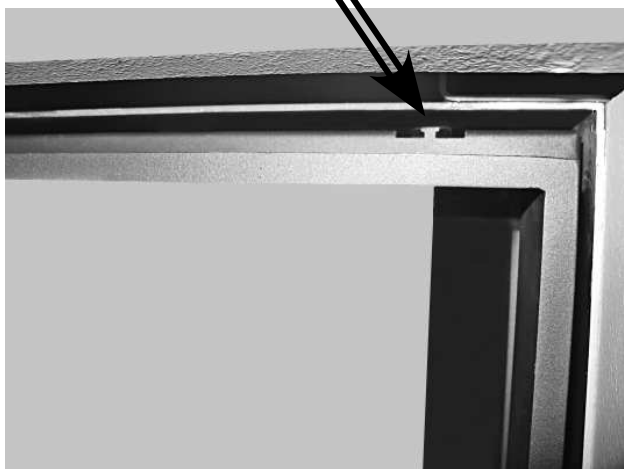
- With the hook, pull the thin, metal spring strips on the top left and right from the studs on the frame.

**Note ! :**



**When loosening the frame and after it has been loosened, support it with your hand to prevent it falling forward !**

stud (right)



- Detail of the stud (right).

- Place paperboard on the chimney breast, under the frame. This helps prevent damage.

## DISMANTLING / ASSEMBLING OF THE GLASS



- Dismantle the safety strip from the frame.



- Carefully tilt the frame and the window forwards.

**Note ! :** Frame and window are two separate parts !



- Take hold of the frame and the glass clamped together and pull these upwards.

## DISMANTLING / ASSEMBLING OF THE GLASS



- Frame and glass are now removed from the appliance.


### Assembling of the glass:

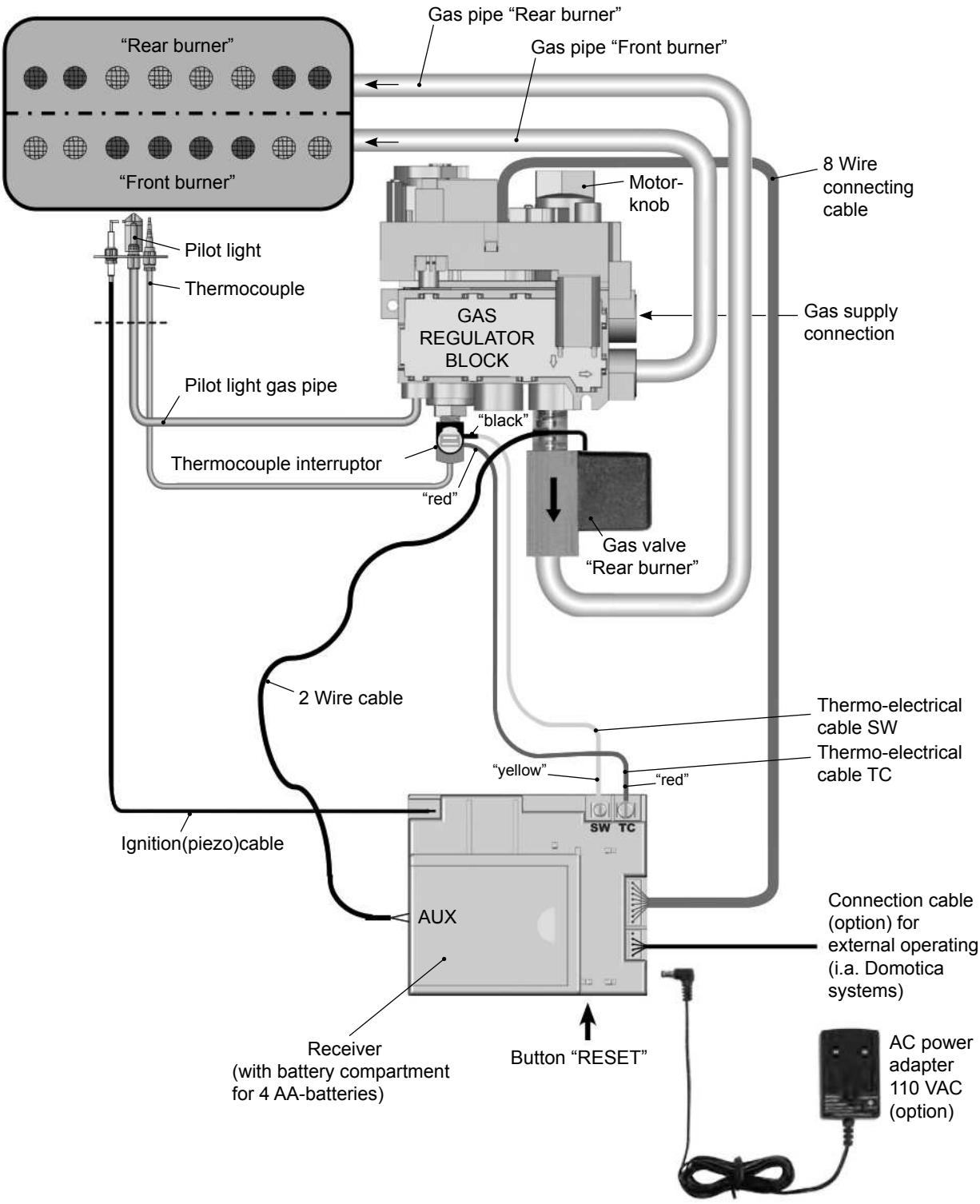
The assembly of the glass takes place in reverse order.

### **Important:**

- Check whether the frame is properly positioned underneath in the 2 holes of the front.
- Check whether the frame is placed in the middle of the front.
- Check whether the safety strip is securely fastened to the top of the frame (middle).
- The glass (frame) must fit tightly all round to the edge of the combustion chamber.
- Check that the spring strips, on the top, remain in their proper place.

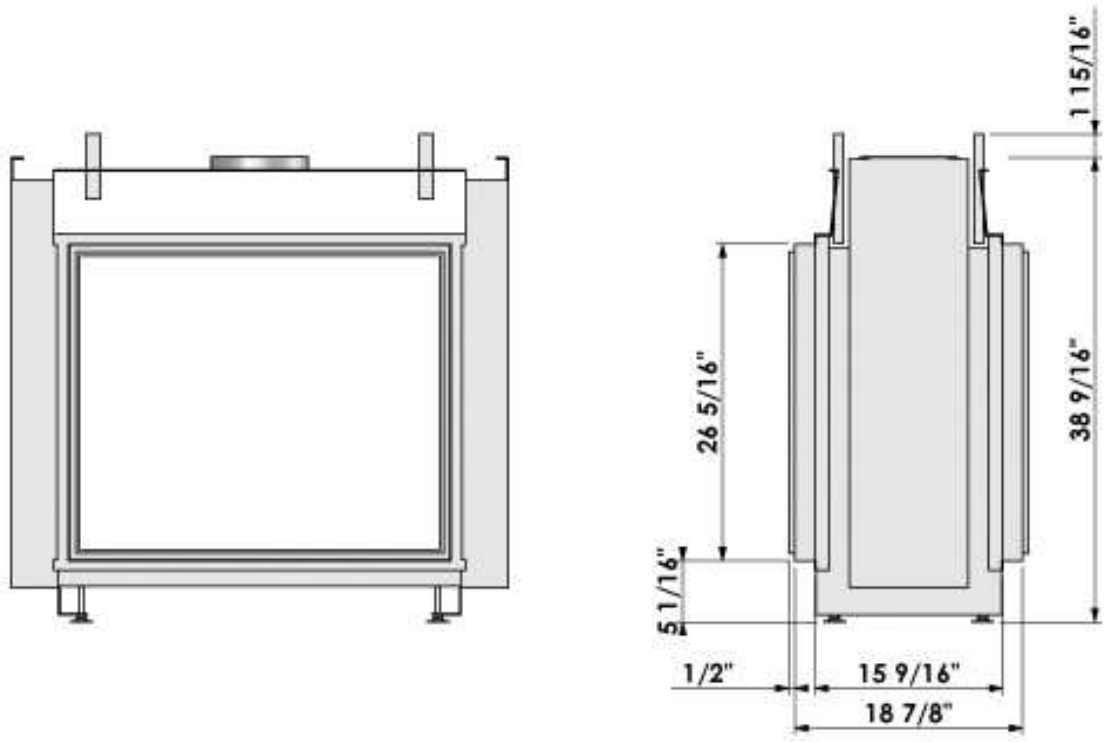
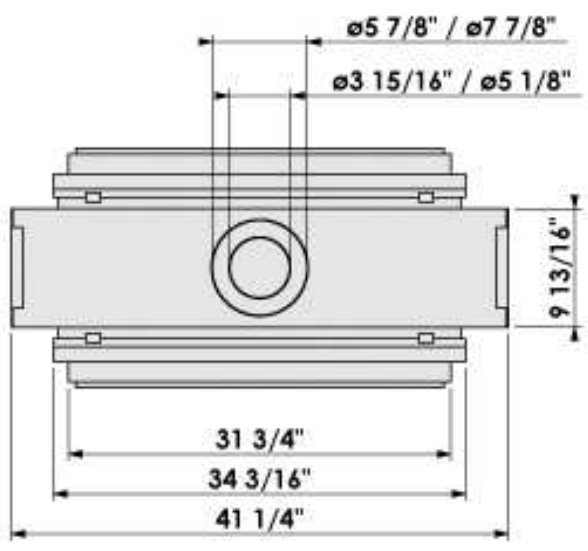
# DIAGRAM ELECTRICITY AND GAS

Double burner:     : Perforation pattern "Centre Fire" double burner.



# DIMENSIONS

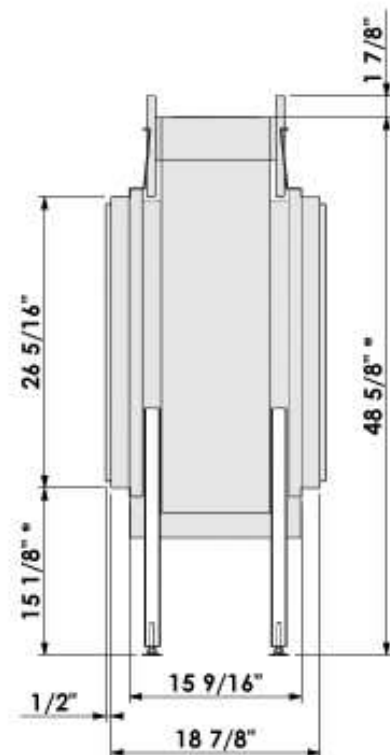
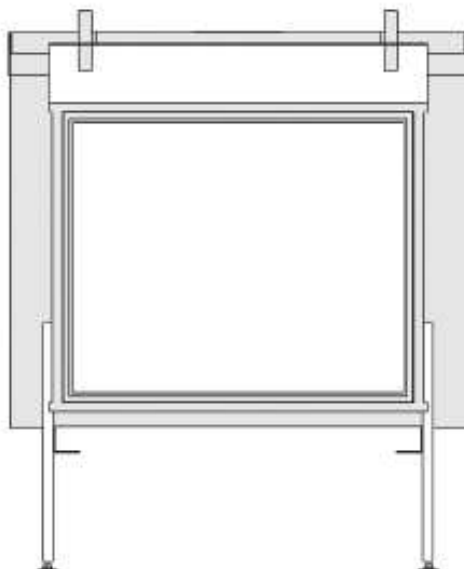
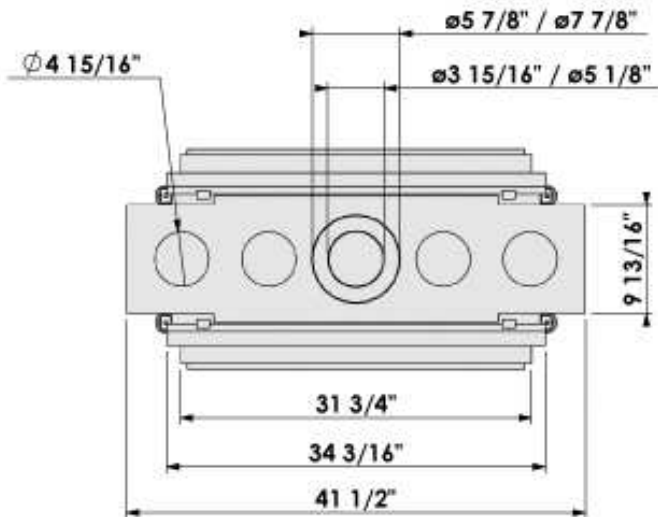
## DERBY LARGE TUNNEL 3 - Floating Frame



# DIMENSIONS

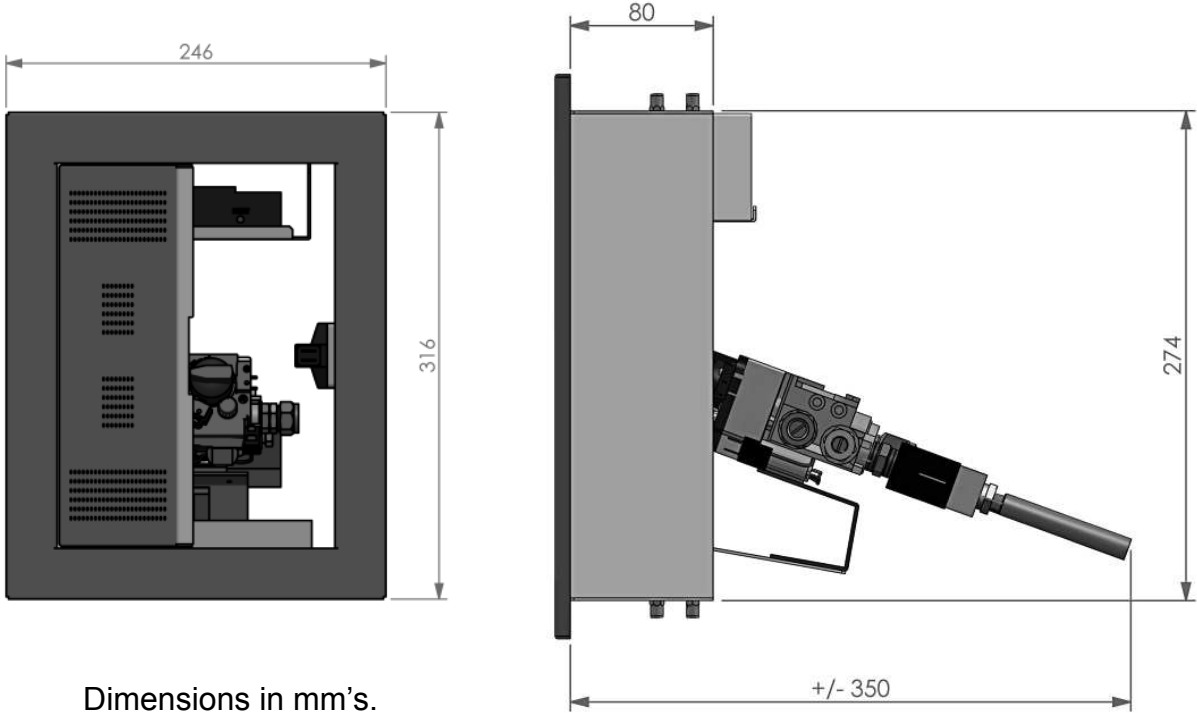
## DERBY LARGE TUNNEL 3 - Floating Frame

- Fitted with the options: - Convection casing  
- High adjustable feet



\* = optional extended adjustable feet max. +  $13 \frac{3}{4}''$  inch.

# OPERATING UNIT



Dimensions in mm's.



## TECHNICAL DETAILS

### APPLIANCE RATINGS

#### Derby Large Tunnel 3 CF (Centre fire)

Gas		Natural gas	Propane
Thermal efficiency	[%]	83.2	84.2
Annual fireplace efficiency	[%]	76.4	78.0
Input maximum	Btu/hr	40,000	29,000
Input minimum	Btu/hr	7,200	6,800
Supply pressure	in. w.c.	7.0	11.0
	kPa	1.74	2.74
Manifold pressure maximum (hot)	in. w.c.	5.20	10.8
	kPa	1.30	2.69
Manifold pressure maximum (cold)	in. w.c.	5.10	10.8
	kPa	1.26	2.69
Manifold pressure minimum	in. w.c.	0.20	0.40
	kPa	0.05	0.10
Main burner Injector marking (back)		Nr. 200 (=1xØ2.00 mm)	Nr. 95 (=1xØ0.95 mm)
Main burner Injector marking (front)		Nr. 200 (=1xØ2.00 mm)	Nr. 125 (=1xØ1.25 mm)
Pilot Injector marking		Nr. 36 (SIT 0.977.091)	Nr. 23 (SIT 0.977.150)

## REPLACEMENT PART LIST

When requesting service or ordering replacement parts, please quote the model type and serial number. All parts listed in this manual may be ordered from a Bellfires dealer.

No	Article no	Description
1	335118	Main burner "Centre Fire" 561 x 130 mm <u>Natural gas / Propane</u> Natural gas: 1x Ø10.0 mm front + 1x Ø10.0 mm rear Propane: 1x Ø20.0 <sup>corner</sup> mm + 2x Ø5.0 mm front and 1x Ø20.0 <sup>corner</sup> mm + 2x Ø5.0 mm rear
2	335114	Burner mat L = 561 mm "Centre Fire"
3	334875	Burner injector <u>Natural gas</u> ; Front: no 200 (1x Ø2.00 mm)
4	334875	Burner injector <u>Natural gas</u> ; Rear: no 200 (1x Ø2.00 mm)
5	335122	Burner injector <u>Propane</u> ; Front: no 125 (1x Ø1.25 mm)
6	335120	Burner injector <u>Propane</u> ; Rear: no 95 (1x Ø0.95 mm)
7	336506	Gas regulator block; GV 60 (M10 Thermocouple connection)
8	302122	3/8" male x 12 Compression fitting
9	302084	Nut Ø8 mm for burner supply GV 60 for "front burner"
10	302089	Olive Ø8 mm for burner supply GV 60 for "front burner"
11	333607	Gas valve "rear burner"
12	333608	Adapter 3/8"bsp x 3/8"+ O-ring
13	333610	Nut Ø8 mm for gas valve "rear burner"
14	333611	Olive Ø8 mm for gas valve "rear burner"
15	302086	Cut-off nipple Ø4 mm GV 60
16	333601	Cable (sw): Receiver - Thermocouple interrupter, L = 500 mm
17	333602	Cable (tc): Receiver - Thermocouple interrupter, L = 500 mm
18	336505	Hand-held transmitter: Display screen: Temperature and two programmes
19	333599	Cover battery compartment hand-held transmitter - with imprint: Operating double burner
20	336504	Receiver GV 60
21	302068	8 Wire connecting cable Gas regulator block - Receiver, L = 500 mm
22	302421	Piezo ignition cable, 2x $\sphericalangle$ 2.8 x 0.8 mm, L = 1500 mm
23	321926	Thermocouple M10 - 1500 mm
24	333604	Thermocouple interrupter M10

## REPLACEMENT PART LIST

No	Article no	Description
25	310908	Pilot light set outer casing, Double flame
26	310909	Packing pilot light set outer casing
27	310910	Pilot light injector; <u>Natural gas</u> ; no 36
28	310912	Pilot light injector; <u>Propane</u> ; no 23
29	310907	Piezo electrode for pilot light, 2.8 x 0.5 mm
30	302062	Nut piezo electrode
31	319842	Nut thermocouple
32	332552	Pilot light olive; Ø4 mm, steel
33	332553	Pilot light nut; Ø4 mm, steel
34	322552	Pilot light pipe; Ø4 mm, L = 1500 mm, Flexible, Stainless steel
35	325750	Burner pipe; Ø8 mm, L = 1500 mm, Flexible, Stainless steel - 10 kW+, "front burner"
36	325750	Burner pipe; Ø8 mm, L = 1500 mm, Flexible, Stainless steel - 10 kW+, "rear burner"
37	326055	Nut; Ø8 mm, compression elbow main burner
38	326054	Olive; Ø8 mm, compression elbow main burner
39	329700	Glass Derby Large 3 (Tunnel) Floating Frame (788 x 648.5 x 4 mm)
40	301669	Tube ceramic glue
41	301593	Black fibre glass tape 15 x 3 mm, adhesive
42	319664	Black fibre glass tape 30 x 2 mm, adhesive
43	311006	Black fibre glass tape 20 x 2 mm, adhesive
44	301617	Black fibre glass cord Ø10 mm

## REPLACEMENT PART LIST

Logs - Chips of wood - Embers - Vermiculite granules

Appliance	Log set											
	Set	Log no								Chips of wood set	Embers with Glow-effect Anthracite	Vermiculite no 4 black filtered
		1	2	3	4	5	6	7	8			
	Art. no:	331357	331358	331359	331360	331361	331362	331363	331364	xxxxxx	301863	332583
Derby Large Tunnel 3	L 332262	1x	1x	1x	1x	1x	1x	-	1x	1x	3x	1x

## PROPANE CONVERSION KIT

A propane conversion kit is supplied with this appliance. For safe use of this kit, refer to the installation instructions included with the propane conversion kit.

This conversion kit is only for use in the Bellfires gas appliance model stated on the front page of this manual and also stated on the included propane conversion kit and must only be used when the gas type for this appliance is changed from natural gas to propane.

### **WARNING:**

**This conversion kit shall be installed by a qualified service agency in accordance with the manufacturer's instructions and all applicable codes and requirements of the authority having jurisdiction.**

**If the information in these instruction is not followed exactly, a fire, explosion or production of carbon monoxide may result causing property damage, personal injury or loss of life.**

**The qualified service agency is responsible for the proper installation of this kit.**

**The installation is not proper and complete until the operation of the converted appliance is checked as specified in the manufacturer's instructions supplied with the kit.**

# WARRANTY TERMS

## Warranty terms

Interfocos B.V. guarantees the quality of the supplied Bellfires hearth and the quality of the materials used. All Bellfires hearths are developed and manufactured according to the highest possible quality standards. If, despite all this, something should prove amiss with the Bellfires hearth you have purchased, Interfocos B.V. offers the following manufacturer's warranty.

### Article 1: Warranty

- 1.1. If Interfocos B.V. determines that the Bellfires hearth you have purchased is defective as a result of a flaw in the construction or material, Interfocos B.V. guarantees to repair or replace the hearth free of charge, without charging any costs for labour or spare parts.
- 1.2. Repair or replacement of the Bellfires hearth will be undertaken by Interfocos B.V. or by a Bellfires dealer as designated by Interfocos B.V.
- 1.3. This warranty is supplementary to the existing legal national warranty of Bellfires dealers and Interfocos B.V. in the country of purchase and is not intended to restrict your rights and claims based on the applicable legal provisions.

### Article 2: Warranty conditions

- 2.1. Should you wish to claim under the warranty, please contact your Bellfires dealer.
- 2.2. Complaints should be reported as quickly as possible after they have manifested themselves.
- 2.3. Complaints will only be accepted if they are reported to the Bellfires dealer, together with the serial number of the Bellfires hearth which is stated on the front of the instructions for use.
- 2.4. In addition, the original receipt (invoice, receipt, cash receipt) showing the date of purchase must also be submitted.
- 2.5. Repairs and replacements during the warranty period do not give any entitlement to an extension of the warranty period. After a repair or replacement of warranty parts, the warranty period shall be deemed to have started on the date of purchasing the Bellfires hearth.
- 2.6. If a certain part is eligible for the warranty and the original part is no longer available, Interfocos B.V. shall ensure that an alternative part of at least the same quality shall be provided.

### Article 3: Warranty exclusions

- 3.1. The warranty on the Bellfires hearth ceases to be in effect if:
  - a. it is not installed according to the supplied installation instructions, and to national and/or local regulations;
  - b. it has been installed, connected or repaired by a non-Bellfires dealer;
  - c. it has not be used or maintained according to the instructions for use;

## WARRANTY TERMS

- d. it has been changed, neglected or roughly treated;
  - e. it has been damaged as a result of external causes (outside the hearth itself), for example, lightning strike, water damage or fire;
- 3.2. In addition, the warranty lapses if the original purchase receipt shows any change, deletion, removal or if it is illegible.

### **Article 4: Warranty area**

- 4.1. The warranty is only valid in those countries where Bellfires hearths are sold through an official dealer network.

### **Article 5: Warranty period**

- 5.1. This warranty will only be granted during the warranty period.
- 5.2. The body of the Bellfires hearth is guaranteed for a period of 10 years against construction and/or material faults, starting from the moment of purchase.
- 5.3. For other parts of the Bellfires hearth, a similar warranty applies from the moment of purchase for a period of one year.
- 5.4. For user parts such as glass, glass (cord), thermocouple and the interior of the combustion chamber, a similar guarantee is given until after the first burning.

### **Article 6: Liability**

- 6.1. A claim granted by Interfocos B.V. under this warranty does not automatically imply that Interfocos B.V. also accepts liability for any possible damage. The liability of Interfocos B.V. never extends further than that stated in these warranty conditions. Any liability of Interfocos B.V. for consequential damage is expressly excluded.
- 6.2. That stated in this provision is not valid if and to the extent that is derives from a mandatory provision.
- 6.3. All agreements entered into by Interfocos B.V. are, unless specifically stated otherwise in writing and to the extent that they are permitted based on applicable law, subject to the Conditions of the Dutch Metal and Engineering Association (METAALUNIEVOORWAARDEN), as filed with the registrar of the Court of Rotterdam on 1 January 2008.

Interfocos B.V.  
Hallenstraat 17  
5531 AB Bladel  
The Netherlands  
Tel: +31-497339200  
Email: info@Bellfires.com

Carefully retain the instructions for use; they show the serial number of the hearth. You will need this if you wish to claim under the warranty.



### **Your Bellfires dealer**

NATIONAL ENERGY EQUIPMENT INC.  
1850 DERRY ROAD EAST  
MISSISSAUGA, ONTARIO  
L5S 1Y6 CANADA  
PHONE NUMBER : (905) 564-2422  
FAX NUMBER : (905) 564-9490  
TOLL FREE NUMBER: (866)-574-5100  
[www.nee.ca](http://www.nee.ca)