

QUALITY FIREPLACES FOR LIFE.

KOZY HEAT FIREPLACES | BAYPORT 41 & BAYPORT 36

KOZY HEAT
FIREPLACES



Bayport 36 Log shown with a Rectangle screen front with an Antique Copper overlay, Masonry refractory and an ember light kit

BAYPORT 41 & BAYPORT 36

DIRECT VENT GAS FIREPLACES



Bayport 36 Birch Logs shown with a Portrait screen front and a Black Glass refractory



Bayport 41 Glass shown with a Rectangle Full screen front with a Brushed Nickel overlay, Glacier Crystal glass, Black Enamel refractory and Beach Accent Light kit

THE BAYPORT 41 & BAYPORT 36

The **Bayport** offers a large and impressive viewing area with our most realistic logs and burner system yet. The **Bayport 41** comes in both the Glass and Log version, and the **Bayport 36** comes in three versions, the Log and Glass versions and a millivolt version! With this many options, the **Bayport** provides you the maximum comfort and efficiency available in a gas fireplace. With porcelain reflective panels (standard with the **Bayport 41 Glass** and **Bayport 36 Glass**) create a spectacular view, and combined with a hand-crafted front, make the **Bayport** a perfect choice for a traditional or contemporary design in your home.

Bayport 36 Log shown with a Rectangle screen front in Brushed Stainless, optional Masonry refractory and an ember light kit





Bayport 41 Birch Logs shown with a Rectangle screen front, Masonry refractory and an ember light kit

Log Media



Traditional Logs



Birch Logs

FIREPLACE OPTIONS

Fronts Sizes shown below: Bayport 41 / Bayport 36



Rectangle Screen Front
with optional Enamel refractory
Available in Black



Rectangle Full Screen Front
with optional Black Glass refractory
Available in Black, Brushed Stainless



Rectangle Full Screen Front
in Antique Copper Overlay with the Beach Accent Kit
Available in Antique Copper, Brushed Nickel



Portrait Screen Front*
with optional Black Glass refractory
Available in Black

**Bayport 41: Safety screen requires the fireplace to be 2-1/4" above the hearth and 3" clearance from the outside edge to a sidewall.
Bayport 36: Safety screen requires the fireplace to be 3" above the hearth and 3" clearance from the outside edge to a sidewall.



Prairie Screen Front
with optional Masonry refractory
Available in Black



Arched Prairie Full Door
with optional Black Glass refractory
Available in Black



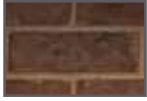
Arched Mission Screen Front
in Weathered Charcoal with Traditional Brick refractory
Available in Vintage Bronze, Weathered Charcoal



Mission Screen Front
in Vintage Bronze with Traditional Brick refractory
Available in Vintage Bronze, Weathered Charcoal

ACCESSORIES & CONTROLS

Refractory



Traditional brick



Masonry








Black enamel



KOMFORT KONTROL™

The Komfort Kontrol remote gives you the ability to bring comfort and green technology all together into your home. With the Komfort Kontrol remote, all you have to do is decide a comfortable set point temperature on your remote and when the room temperature gets closer to the point you desire, the Komfort Kontrol remote will turn the flames down accordingly! And with our zone heating, you can save energy and enjoy time in the room you use the most by just turning down the central heat, setting your Komfort Kontrol remote, and enjoy your time around the fireplace with friends, family, or just a good book! That way you'll get to have heat where and when you need it while saving energy and money with just a click of the Komfort Kontrol remote!

Remote control features:

-  Thermostat function
-  Flame height modulation
-  Fan speed modulation
-  Light kit modulation
-  IPI to continuous pilot

Bayport 36 Millivolt Option Controls



Thermostat Remote or Deluxe On/Off Remote



Wired or Wireless Wall Mount Thermostat



Wireless wall switch

Glass Media

Beads



Copper



H2O

Crystals



Glacier



Amber



Black



Seabreeze

Optional Accent Media



Diftwood/Rock (*Glass only*)



Beach Accent Kit (*Glass only*)

Burn Videos



Bayport 41 Log



Bayport 41 Glass with Beach Accent Kit



Bayport 41 Birch Log



Bayport 36 Enamel Log



Bayport 36 Brick Log



Bayport 36 Birch Log



Bayport 36 Masonry Log



Bayport 36 Glass with Beach Accent Kit

SPECIFICATIONS

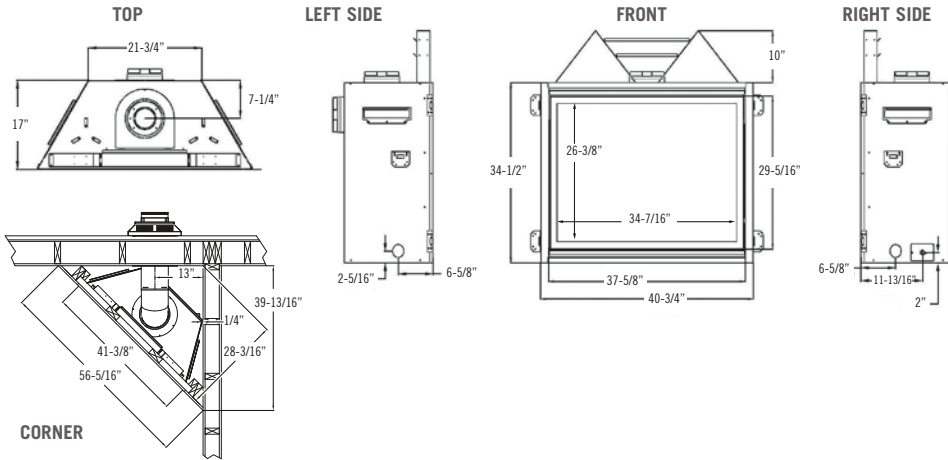
Model	Bayport 41	Bayport 36
Height	34-1/2"	32"
Width	40-3/4"	35-3/4"
Depth	17"	15"
Weight	200 lbs.	200 lbs.
Viewing Area	34-7/16" X 26-3/8"	29-7/16" X 23-7/8"
NG High / Low	30,000 / 15,000	26,500 / 14,000
LP High / Low	30,000 / 13,500	26,500 / 14,000
ENERGUIDE P.4 NG / LP	76.16% / 76.77%	66.61% / 71.09% 65.52% / 70.12% (MV)
Steady State NG / LP	77.96% / 78.04%	71% / 75%
AFUE % NG / LP	72.19% / 72.16%	70% / 74%
Valve System	IPI	IPI Millivolt (BAY 36-MV)
Black Enamel Refractory	Standard (BAY 41-G) Optional (BAY 41-L)	Standard (BAY 36-G) Optional (BAY 36-L, BAY 36-MV)
Optional Refractory	Brick (BAY 41-L, BAY 41-MV) Masonry (BAY 41-L)	Brick (BAY 36-L, BAY 36-MV) Masonry (BAY 36-L, BAY 36-MV)
Accent Light Kit	Standard (BAY 41-G)	Standard (BAY 36-G)
Ember Light Kit	Standard (BAY 41-L)	Standard (BAY 36-L)
Glass Media	Required (BAY 41-G)	Required (BAY 36-G)
Accent Media	Optional Beach Accent Kit or Driftwood Rock (BAY-41 G)	Optional Beach Accent Kit or Driftwood Rock (BAY 36-G)
Ceramic Glass	Standard	Standard
Fan Kit Availability	Standard (BAY 41-L) Optional (BAY 41-G)	Standard (BAY 36-L) Optional (BAY 36-G, BAY 36-MV)
Finishing Trim Kit	Standard	Standard
Screen Front	Required	Required

Clearances Features, Options & Specifications are subject to change.

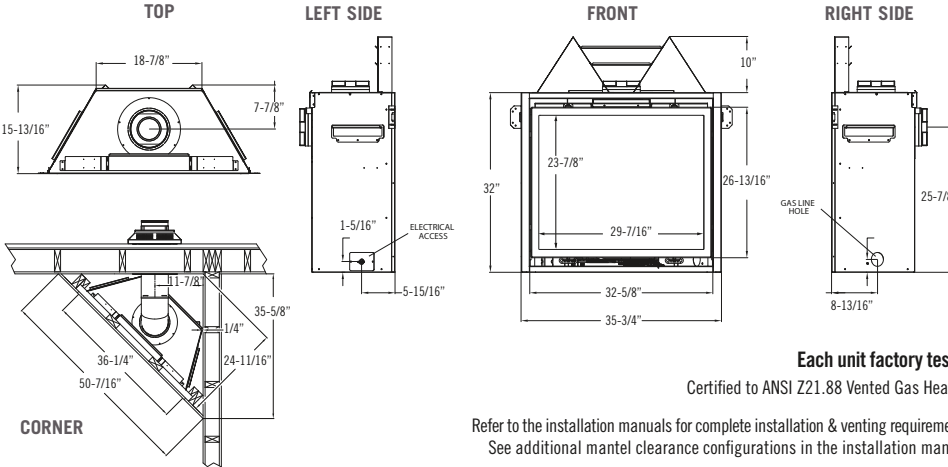
Model	Bayport 41	Bayport 36
Mantel 6" deep from appliance top	9"	8"
Mantel 6" deep from appliance top for RSF-2 ONLY	5"	5"
Top of appliance to 3/4" Trim	5-1/2"	4-1/2"
Top of appliance to 3/4" Trim for RSF-2 ONLY	1-1/2"	1-1/2"
From appliance left and right side stand-off	0"	0"
From appliance back stand-offs	0"	0"
From appliance corners	1/4"	1/4"
From appliance front	36"	36"
From appliance top to ceiling:	31"	30"
Appliance sides to adjacent sidewall	1"	3/4"

The Bayport 41 and Bayport 36 models are ordered as either the Log Set model (BAY 41-L or BAY 36-L) or Glass Media model (BAY 41-G or BAY 36-G). Both contain an IPI modulating valve system with full-function remote control. It is also available in a Millivolt (Log Set) model (BAY-36-MV) with a standing pilot system.

Bayport 41



Bayport 36



Vent System Approval & Requirements

This fireplace is manufactured to accept 4" x 6-5/8" rigid and flexible pipe:

- Simpson Dura-Vent™ DV-PRO Pipe - 4" x 6-5/8"
- Selkirk Metalbestos™ direct chimney system - 4" x 6-5/8"
- Ameri-Vent/American Metal™ direct chimney system - 4" x 6-5/8"
- Metal Fab™ 4" x 6-5/8"
- ICC™ 4" x 6-5/8"
- Kozy Heat™ Flexible #700 series vent kits* - 4" x 6-5/8"
- BDM™ direct vent chimney system - 4" x 6-5/8"

IMPORTANT: A wall thimble/pass thru must be used on ALL horizontal vent runs that pass through interior OR exterior walls. (follow vent manufacturers instructions)

The included horizontal vent heat shield must be installed when incorporating minimum horizontal venting. This applies to NG and LP minimum horizontal venting configurations.

Elbows: For each additional 90° elbow used after the first elbow, 3' must be subtracted from the maximum venting allowed. For each additional 45° elbow used after the first elbow, 1½' must be subtracted from the maximum venting allowed. Note: (2) 45° elbows = (1) 90° elbow.

Horizontal Terminations

Horizontal Venting Configurations differ between Log and Glass models. Consult their installation manuals for guidance.

Vertical Terminations (Rear Venting)

Minimum: 90° elbow + 3' + cap
Maximum: 90° elbow + 50' + cap

Vertical Terminations (Top Venting)

Minimum: 3' + vent cap
Maximum: 50' + vent cap

Each unit factory tested

Certified to ANSI Z21.88 Vented Gas Heaters

Refer to the installation manuals for complete installation & venting requirements. See additional mantel clearance configurations in the installation manual.

Note: Over time, antique copper will react with oxygen, heat, and other aspects of the environment and naturally change color, or patina.

In order to continually provide the highest quality product available, features/options, specifications & dimensions are subject to change. Refer to the unit installation manual for complete installation instructions. Installation must conform with local building codes. **In some regions it may be possible that this appliance qualifies for an energy rebate. See your local dealer for details regarding promotions and qualifications.**

Manufactured by Hussong Mfg. Co., Inc.
204 Industrial Park Drive, Lakefield, MN 56150
Phone 1-800-253-4904 www.kozyheat.com

1-19



Product Line:



For complete information on the Kozy Heat product line, please contact us at:

FOR CALIFORNIA RESIDENTS ONLY

⚠ California Proposition 65 Warning

WARNING: This product can expose you to chemicals including Carbon Monoxide, that is an externally vented by-product of fuel combustion, which is [are] known to the State of California to cause birth defects or other reproductive harm. For more information, visit www.P65Warnings.ca.gov.