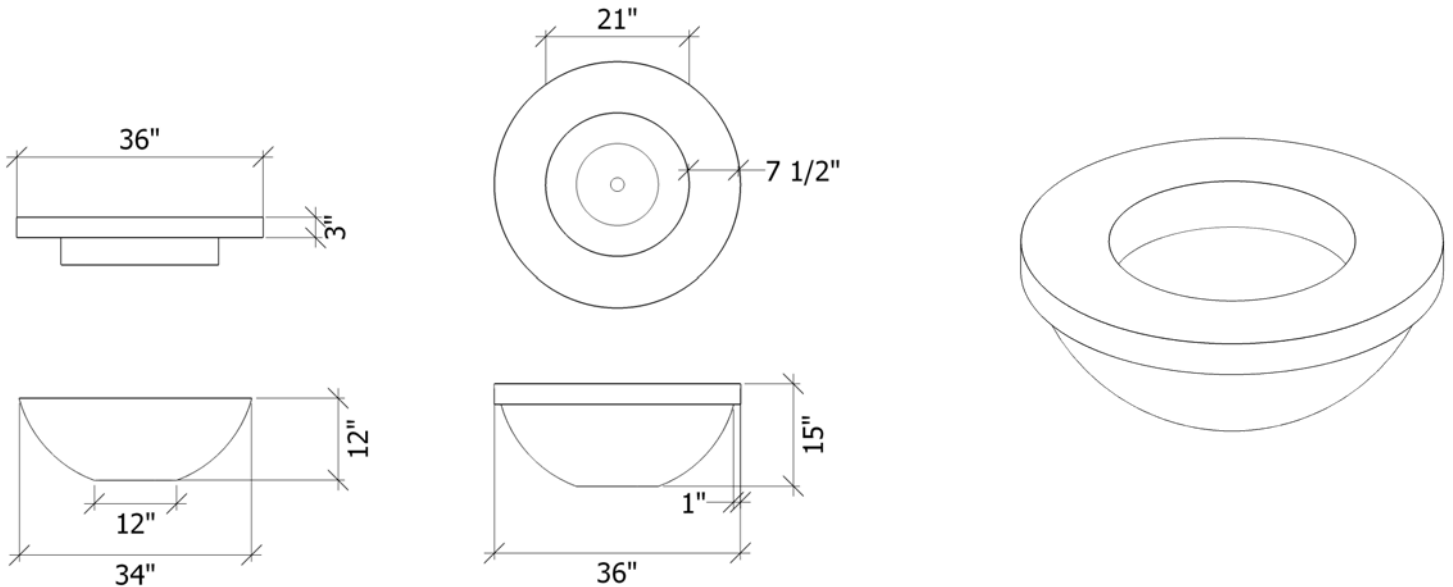


# AURA



## DIMENSIONS



## PASSION FOR PERFECTION



Enjoy the setting of the **Aura** firebowl.

A combination of practicality and aesthetics.

AURA  
PACKAGE INCLUDES:

CONCRETE FIREPIT TOP

CONCRETE FIREPIT BASE

MANUAL LIT  
NG/LP BURNER

LAVA ROCK

Firepits ship fully sealed  
Accessories available



**Dreamcast**  
design and production

Please contact us at 1-604-278-4939 with any questions. Our experienced team can assist you with product information, installation and design recommendations. We also encourage you to explore our website at [www.dreamcastfirepits.com](http://www.dreamcastfirepits.com)