

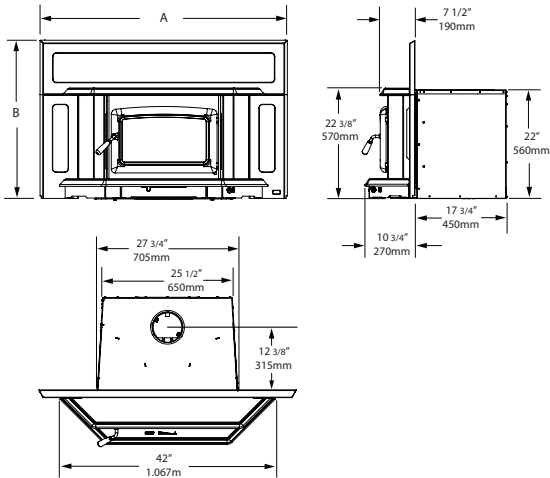


# SUMMIT INSERT LE

FOR LARGE SPACES



## UNIT DIMENSIONS



## TECHNICAL DATA

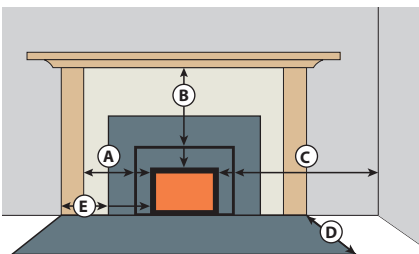
### 41.275 BTU EPA Test Fuel

Efficiency (HHV)	74%
Emissions	1.8 gm/hr.
Log Size (recommended)	16 in.
Log Size (max)	20 in.
Firebox Size	3.0 cu.ft.
Glass Viewing Area	153 sq.in.
Weight	465 lbs

## SURROUND SIZE

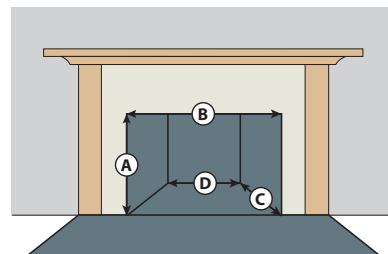
	Standard	Oversize
A (width)	50 3/8"	54 3/8"
B (height)	32 1/4"	34 1/4"

## CLEARANCES TO COMBUSTIBLES



A	8"
B	15"
C	8"
D (Canada)	18"
D (USA)	16"
E	8"

## MINIMUM FIREPLACE OPENING



A	22 1/2"
B	28 1/4"
C	19"
D	26 1/4"