

# SP41 & SP34

DIRECT VENT GAS FIREPLACES

SP41 with a Standard screen front  
and optional Black Glass panels



QUALITY FIREPLACES FOR LIFE.

KOZY  HEAT  
FIREPLACES



SP34 Prairie Design Overlay  
optional Black Glass panels

## SP41 & SP34 SERIES

### Fronts



Arched Prairie Design Overlay  
No Black Glass panels



Prairie Design Overlay  
with optional Black Glass panels



Standard Screen Front  
with optional Black Glass panels

SP34 Standard Screen Front and optional Black Glass panels



## SP41 & SP34 SERIES

Media Kit Option



Log Set

Control Option



Millivolt Option Controls



On/Off Remote



Thermostat Remote w/ Timer

Burn Video



SP41



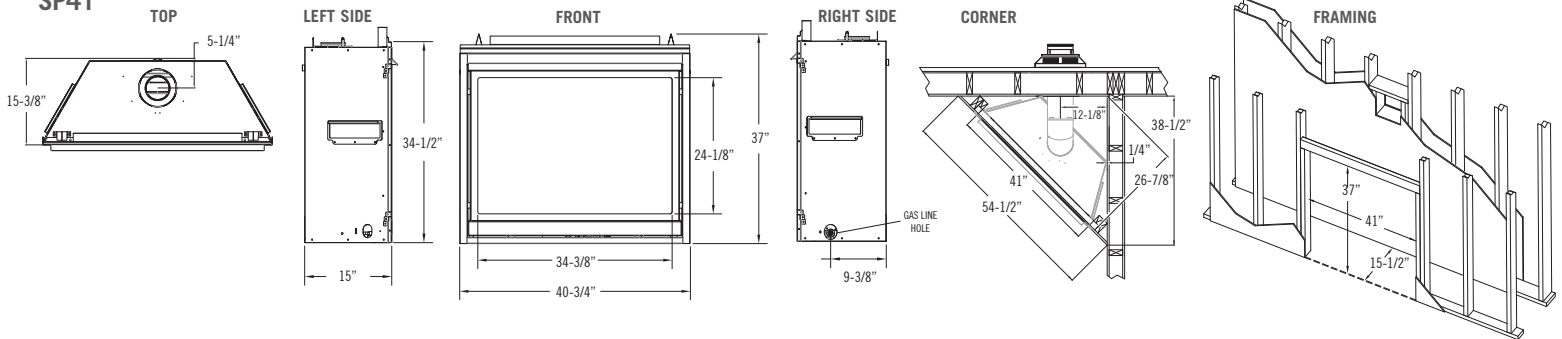
SP34

# SP41 & SP34 SERIES

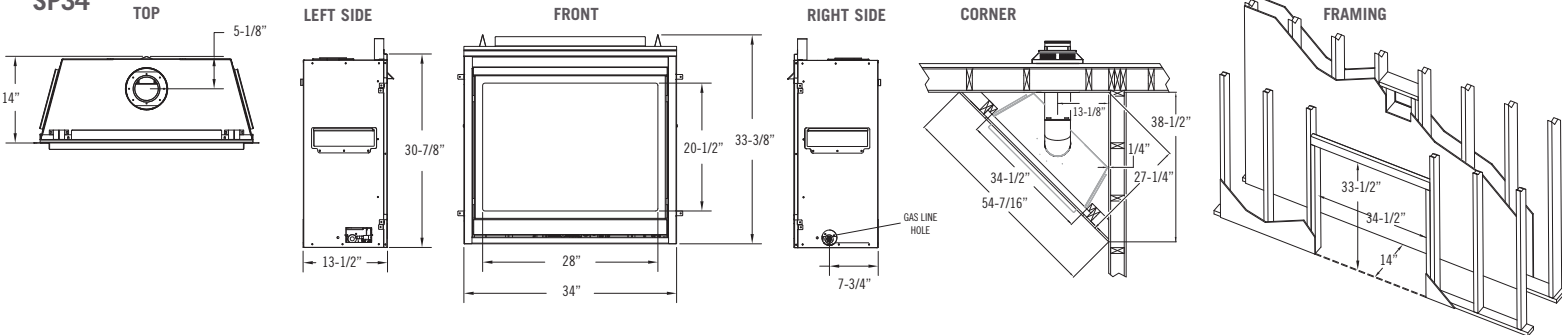
Fireplace brochures are for advertising purposes only.  
Refer to the specific fireplace manual for installation.

## Specifications

### SP41



### SP34



## Clearances

Model	SP41	SP34
Height	34-1/2"	30-7/8"
Width	40-3/4"	34"
Back Width	24-1/8"	27"
Depth	15"	13-1/2"
Weight	179 lbs	130 lbs
Viewing Area	34-3/8" x 24-1/8"	28" x 20-1/2"
BTU NG High / Low	28,000 / 14,000	20,500 / 14,000
BTU LP High / Low	28,000 / 14,000	20,500 / 15,000
ENERGUIDE P.4 NG / LP	74.05% / 74.55%	74.57% / 74.36%
Steady State NG / LP	77.56% / 77.64%	73.82% / 76.68%
AFUE % NG / LP	71.11% / 71.19%	67.17% / 68.91%
Ceramic Media	Standard	Standard
Valve System	IPI & Millivolt	IPI & Millivolt
Fan Kit	Optional in MV Standard in IPI	Optional in MV Standard in IPI
Screen Front	Included	Included

Features, Options & Specifications are subject to change.

Each unit factory tested

Certified to ANSI Z21.88 Vented Gas Heaters

Model	SP41	SP34
From appliance top stand-off bracket	0"	0"
From facing material 1" (25mm) stand off	0"	0"
From appliance back stand offs	0"	0"
From appliance corners	1/4"	1/4"
From appliance front	36"	36"
From appliance top to ceiling	25"	12"
Appliance sides to adjacent sidewall	4-1/2"	4-1/2"
Fireplace enclosure floor to 3/4" (19mm) trim	37-1/8"	33-1/2"
Mantel 6" deep from fireplace enclosure floor	40-1/2"	37"

Refer to the installation manuals for complete installation & venting requirements. See additional mantel clearance configurations in the installation manual.

## Vent System Approval & Requirements

This appliance is equipped for use with a 4" exhaust by 6-5/8" air intake co-axial vent pipe system. This appliance is approved for use with Kozy Heat 4" x 7" #700 Series Flexible Direct Vent System (horizontal terminations only).

Other approved vent manufacturers (horizontal and vertical terminations): American Metal Products (Ameri-Vent), BDM, ICC, Metal Fab, Olympia Chimney Supply, Inc., Selkirk, and Simpson DuraVent.

This appliance can be adapted to use 3" x 3" flexible co-linear vent pipes when used in combination with an existing minimum 6" x 8" ID masonry or 7" class A metal chimney.

Elbows: For each additional 90° elbow used after the first elbow, 3' must be subtracted from the maximum venting allowed. For each additional 45° elbow used after the first elbow, 1 1/2' must be subtracted from the maximum venting allowed. Note: (2) 45° elbows = (1) 90° elbow.

### Horizontal Terminations

Minimum: 90° + 6" + cap

Maximum: See Manual

### Vertical Terminations Co-axial

Minimum: 3' + vent cap

Maximum: 50' + vent cap

### Vertical Terminations Co-linear

Minimum: 10' + vent cap

Maximum: 50' + vent cap

In order to continually provide the highest quality product available, features/options, specifications, & dimensions are subject to change. Flame appearance and characteristics may be affected by altitude, fuel type, venting configuration, and other factors. Refer to the unit installation manual for complete installation instructions. Installation must conform with local building codes. In some regions it may be possible that this appliance qualifies for an energy rebate. See your local dealer for details regarding promotions and qualifications.

Manufactured by Husson Mfg. Co., Inc.  
204 Industrial Park Road, Lakefield, MN 56150  
Phone 1-800-253-4904 www.kozyheat.com

5-22



Product Line:



For complete information on the Kozy Heat product line, please contact us at:

FOR CALIFORNIA RESIDENTS ONLY

California Proposition 65 Warning

WARNING: This product can expose you to chemicals including Carbon Monoxide, that is an externally vented by-product of fuel combustion, which is (are) known to the State of California to cause birth defects or other reproductive harm. For more information, visit www.P65Warnings.ca.gov.