



## Multi-Fire XD™

25" Plug-in Electric Firebox

PF2325CG

The best of combustion and electric  
- in one remarkable firebox.



The sleek full view design allows an unencumbered view of the stunning diamond-like acrylic ice ember bed. The dazzling Multi-Fire XD™ can accurately reproduce a natural wood-burning fire, gas fireplace or a range of ambient light themes that range from moody and hypnotic, to pulsing and vibrant.

MultiFire XD™

## Multi-Fire XD™ 25" Plug-in Electric Firebox

## PF2325CG



Warms up to  
**1,000**  
sq. ft.



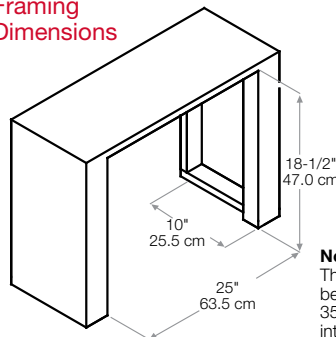
Also available  
with Acrylic Ice:  
PF2325HG

### Color Themes



120 Volts | 1,500 Watts | 5,118 BTU

### Framing Dimensions



**Note:**  
The fireplace needs to  
be installed to ensure  
35 in<sup>2</sup> (226 cm<sup>2</sup>) of  
intake air, into the  
back of the unit, on a  
continuous basis.

### Features

- Multi-Fire XD™ Flame Effect**  
Vivid flames that are brighter and more lifelike day or night.
- Acrylic Ice Media Bed**  
Light plays through different size pieces and sparkle in a spectrum of colors.
- ComfortSaver™ Heating System**  
The patented ComfortSaver™ ceramic heating system uses 11% less energy than the leading quartz infrared heater by automatically adjusting fan speed and heater wattage to safely and precisely match the requirements of the room.
- Media Accent Colors**  
Choose from a variety of brilliant color themes or cycle through a range of colors using the custom mode, freezing on the hue of your choice.
- Flame Accent Colors**  
Accent the flames with custom base colors from warm red to gas blue.
- Precision Thermostat**  
Electronic thermostat maintains room temperature within 1/2°C (1°F) for perfect comfort and increased energy efficiency.
- Floating Display™**  
On-screen display shows temperature and feature settings at a glance.
- Economical**  
Economical to operate costing only pennies per hour.\*
- Low Carbon Footprint**  
The most sustainable fireplace option; no emissions and 100% efficient.
- Mood-maker Remote**  
Customize the light color and intensity for a fireplace that reflects your personality.

- All-season Flames**  
Enjoy the unique charm of a fireplace 365 days a year using the flames without the heat.

\* Based on national average residential electricity rate. Rates vary.

| Model #  | Description  | Lbs / Kg  | UPC           | Wty. <sup>†</sup> | Carton Dimensions (WxHxD) |                    | Cube            |                |
|----------|--|-----------|---------------|-------------------|---------------------------|--------------------|-----------------|----------------|
|          |  |           |               |                   | Inches                    | cm                 | ft <sup>3</sup> | m <sup>3</sup> |
| PF2325HL | 25" Multi-Fire XD™ Electric Firebox - Realogs™                         | 40 / 18.2 | 781052 095021 | 1 yr.             | 29-1/4 x 13-3/8 x 21-1/2  | 74.2 x 34.0 x 54.6 | 4.9             | 0.1            |
| PF2325HG | 25" Multi-Fire XD™ Electric Firebox - Acrylic Ice                      | 40 / 18.2 | 781052 095014 | 1 yr.             | 29-1/4 x 13-3/8 x 21-1/2  | 74.2 x 34.0 x 54.6 | 4.9             | 0.1            |
| PF2325CG | 25" Multi-Fire XD™ Electric Firebox - Acrylic Ice - Curved Front Glass | 41 / 18.6 | 781052 095007 | 1 yr.             | 28-3/4 x 13-3/8 x 25      | 73 x 34.0 x 63.5   | 5.6             | 0.2            |