

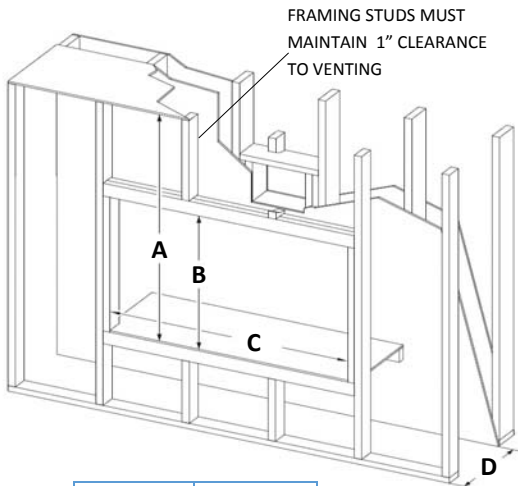
Please leave these reference guides at the installation location until the installation is finished. See owners manual for full installation and finishing instructions before making final decisions as information is subject to change.

## Specifications (all measurements are in inches)

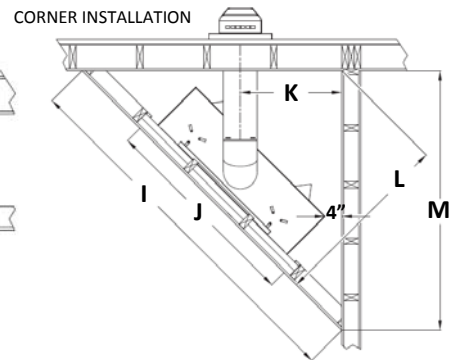
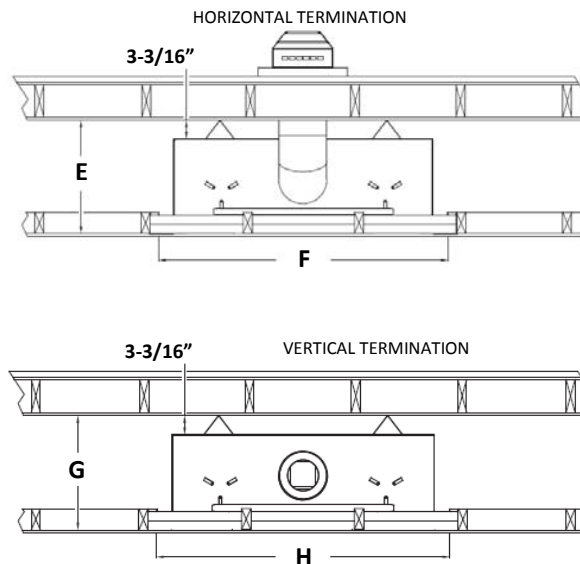
• GAS LINE OPENING: LEFT/RIGHT SIDES • ELECTRICAL ACCESS: RIGHT SIDE

Model	BTU	Height		Front Width		Back Width		Depth		Glass Viewing Area
		Actual	Framing	Actual	Framing	Actual	Framing	Actual	Framing	
SLA-42S	42,000	32-9/16	38-3/8	50	55-1/4	50	55-1/4	15-13/16	19	42-3/8 x 15-11/16

## Framing Opening

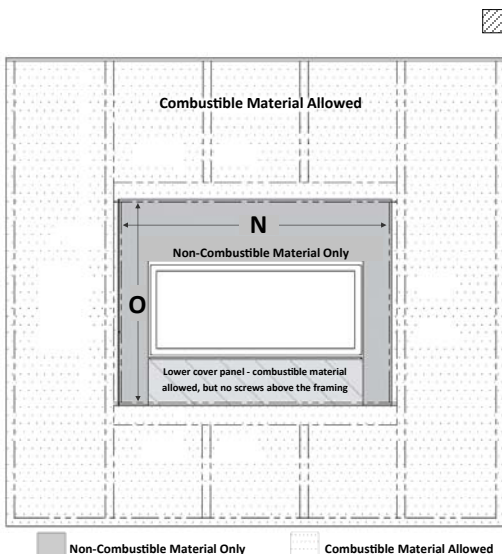


Dimension	SLA-42S
A	62-1/4
B	38-3/8
C	55-1/4
D	19



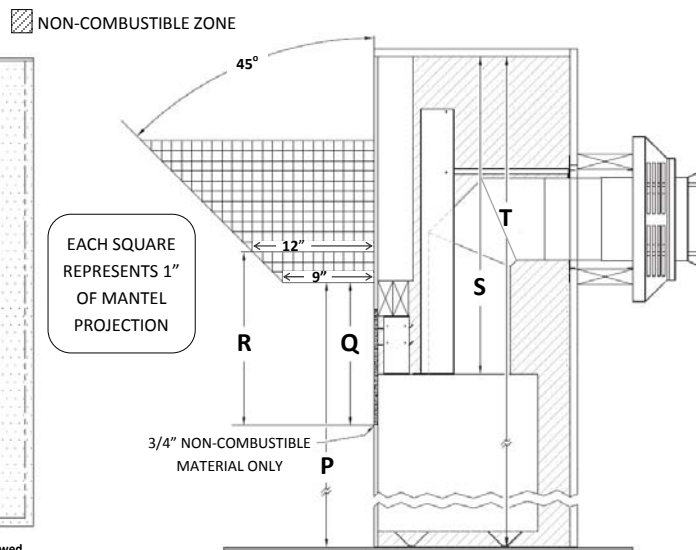
E	F	G	H	I	J	K	L	M
19	55-1/4	19	55-1/4	92-13/16	55-1/4	26-3/8	46-3/8	65-5/8

## Finishing Clearances



Dimension	SLA-42S
N	56-3/4
O	39-7/8

## Mantel Clearances



Dimension				
P	Q	R	S	T
42	14-1/4	17-1/4	29-11/16	62-1/4

## Finish Trim Kit

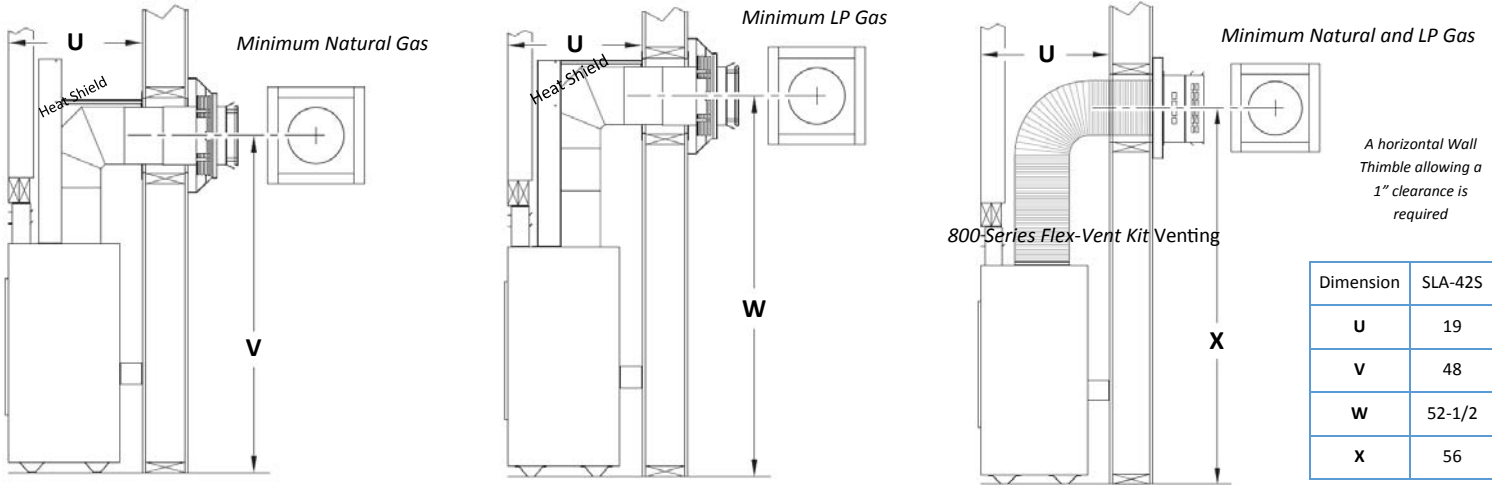


Important!

If you are finishing around the fireplace with tile or stone make sure that you install the **Finishing Trim Kit** at the framing stage.

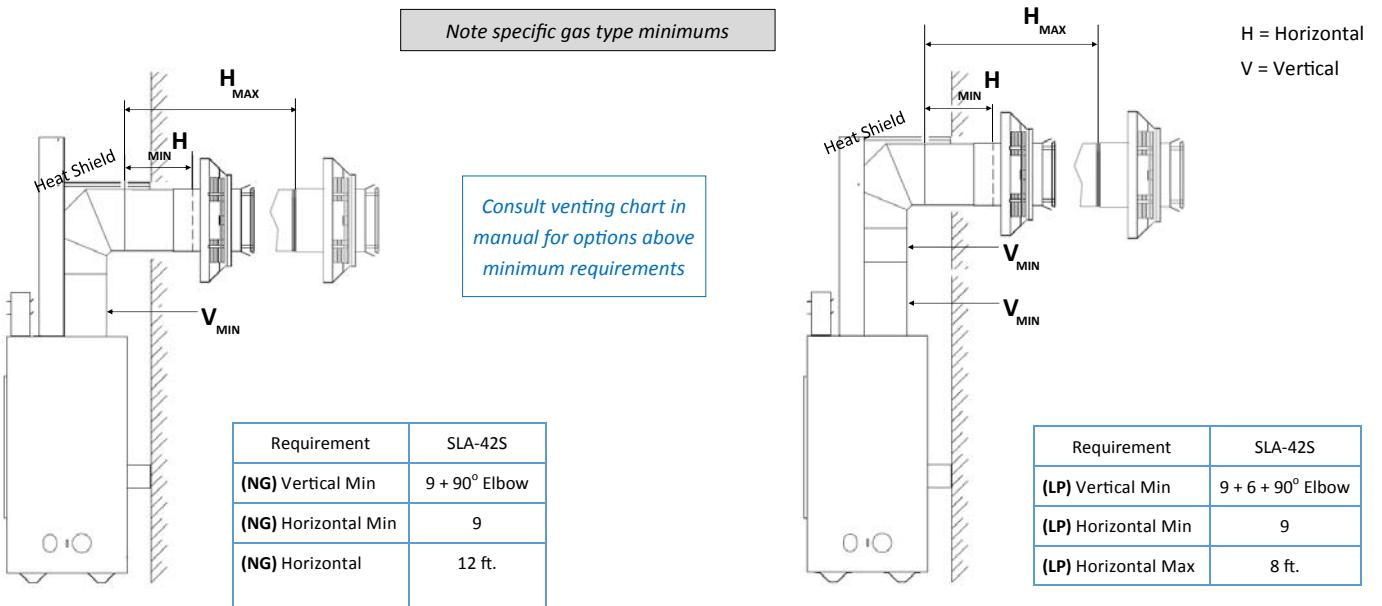
The trim kit allows for your finishing board and your tile/stone to finish up against, creating a shadowbox for the face to sit inside.

# Horizontal Termination Framing



Dimension	SLA-42S
U	19
V	48
W	52-1/2
X	56

# Horizontal Venting Minimum Requirements



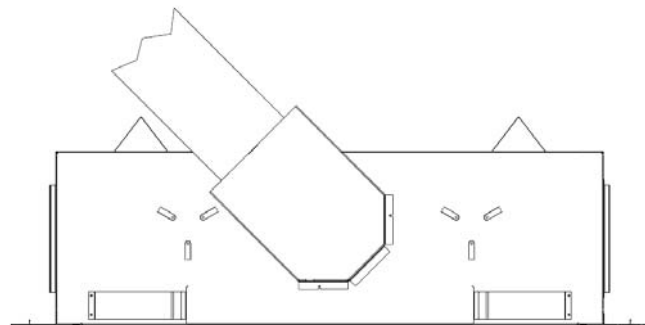
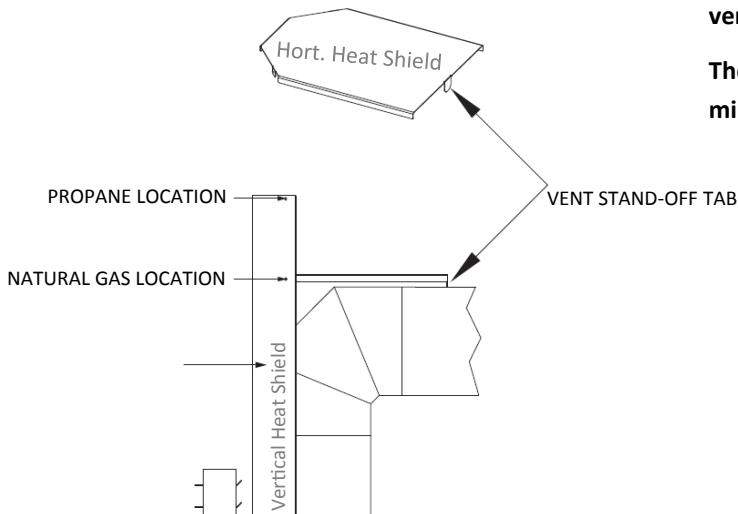
Requirement	SLA-42S
(NG) Vertical Min	9 + 90° Elbow
(NG) Horizontal Min	9
(NG) Horizontal	12 ft.

Requirement	SLA-42S
(LP) Vertical Min	9 + 6 + 90° Elbow
(LP) Horizontal Min	9
(LP) Horizontal Max	8 ft.

# Heat Shield Requirements

The vertical vent heat shield must be installed for EVERY type of venting application.

The horizontal vent heat shield must be installed when incorporating minimum horizontal venting.



VENT HEAT SHIELD - CORNER INSTALLATION