

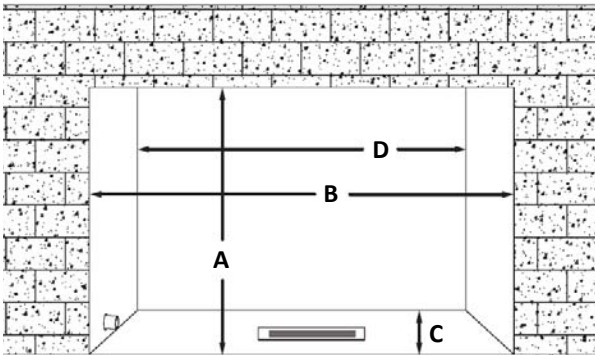
Please leave these reference guides at the installation location until the installation is finished. See owners manual for full installation and finishing instructions before making final decisions as information is subject to change.

Specifications (all measurements are in inches)

• GAS LINE OPENING: LEFT (BACK, UPPER CORNER) • ELECTRICAL ACCESS: LEFT SIDE

Model	BTU	Front Height	Back Height	Front Width	Back Width	Depth	Glass Viewing Area
RVT-34	40,000	23-3/4	21-1/8	33-7/8	24	16-3/8	28-3/8 x 20

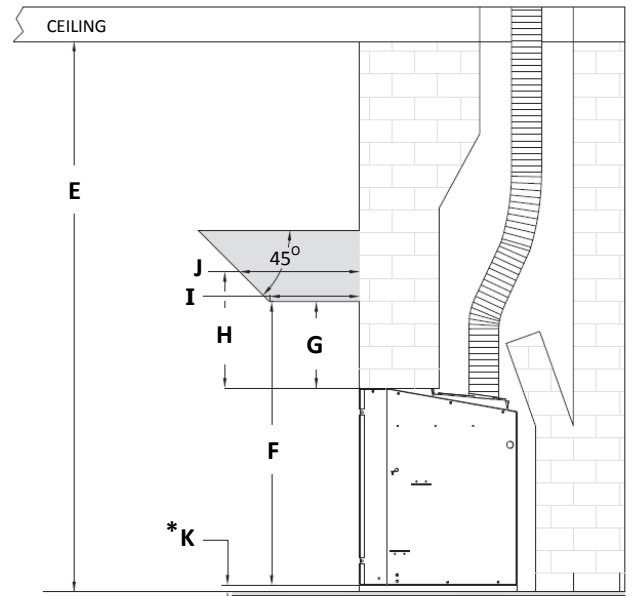
Existing Fireplace Opening Requirements



Dimension	RVT-34
A	23-3/4
B	34-1/8
C	16-3/8
D	24-1/8

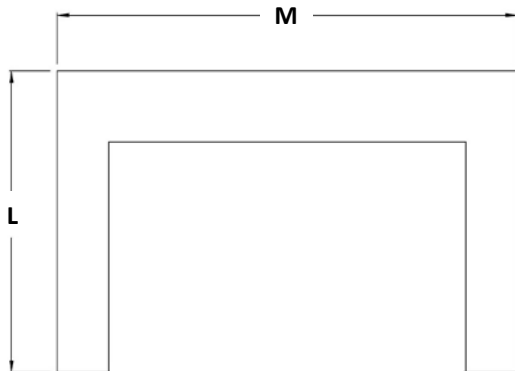
Mantel & Hearth Clearances

Dimension	RVT-34
E	55
F	33-1/2
G	10
H	13
I	9
J	12
*K	3/4



*Required when installing on combustible flooring using floor protector (#RT29-FLP)

Shroud Sizes*

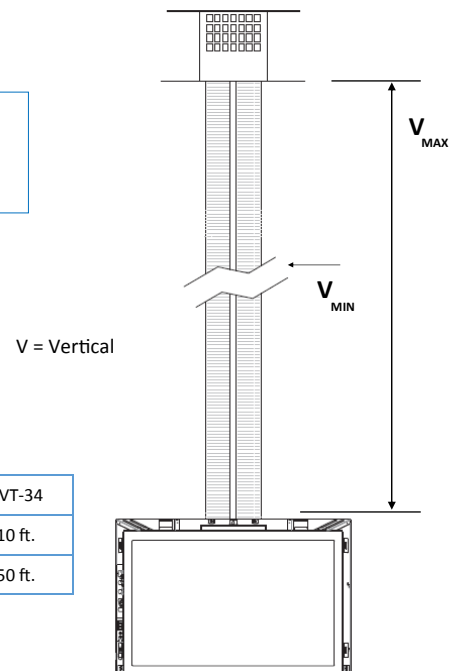


Dimension	Shroud Part Number		
	#RT34-2740	#RT34-3044	#RT34-3346
L	27	30	33
M	40	44	46

*Custom Sizes also available

Venting Requirements

Consult manual for approved venting manufacturers



Requirement	RVT-34
(NG/LP) Vertical Min	10 ft.
(NG/LP) Vertical Max	50 ft.