

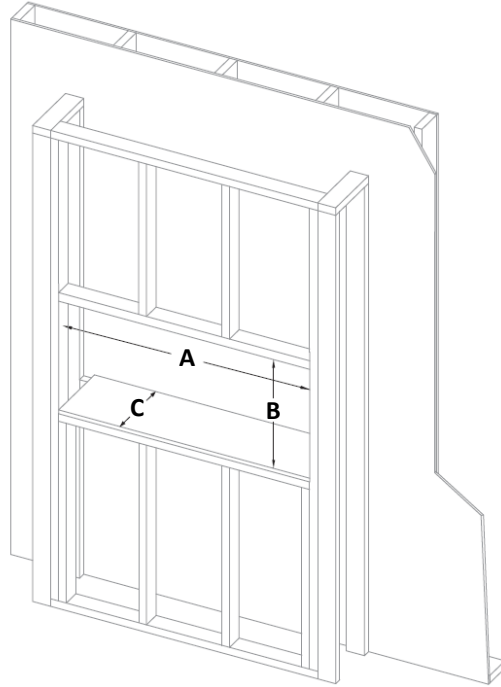
Please leave these reference guides at the installation location until the installation is finished. See owners manual for full installation and finishing instructions before making final decisions as information is subject to change.

Specifications (all measurements are in inches)

• ELECTRICAL CORD / ACCESS: RIGHT SIDE

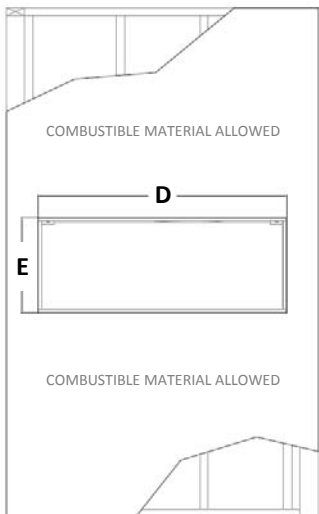
Model	BTU	Front Height		Front Width		Back Width		Depth		Glass Viewing Area
		Actual	Framing	Actual	Framing	Actual	Framing	Actual	Framing	
OSO-34	5,000	23-1/2	23-7/8	32-9/16	33	32-9/16	33	11-1/2	12	31-1/2 x 19-1/4

Rough Framing Opening



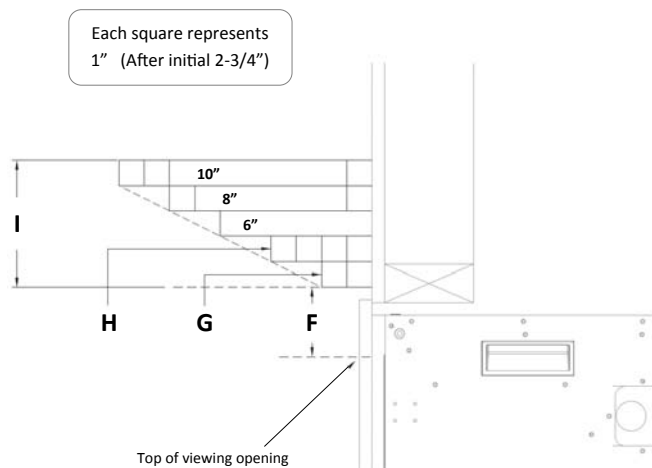
Dimension	OSO-34
A	33
B	23-7/8
C	12

Finishing Material



Dimension	OSO-34
D	33
E	23-7/8

Mantel Clearances



Dimension			
F	G	H	I
2-3/4	2	4	5

Stone/Tile Trim Kit



Important!

The optional **Finishing Trim Kit** must be attached before the appliance installation.

It is not necessary to install the nailing flanges with the use of the trim kit. There are slots in the trim side panels to allow the appliance to be secured the framing.

For use with *ONLY* the included *Rectangle Front*

