

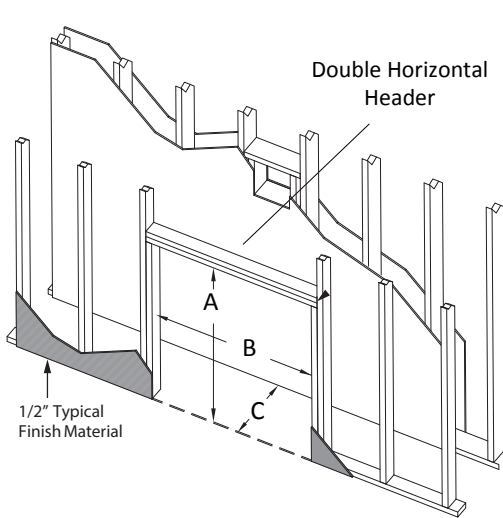
Please leave these reference guides at the installation location until the installation is finished. See owners manual for full installation and finishing instructions before making final decisions as information is subject to change.

Specifications (all measurements are in inches)

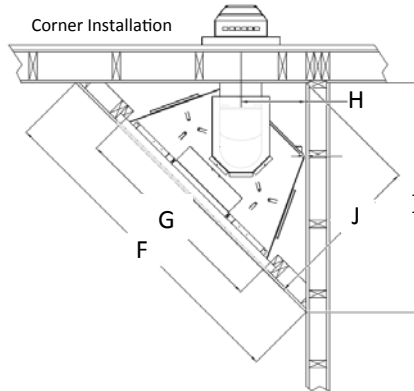
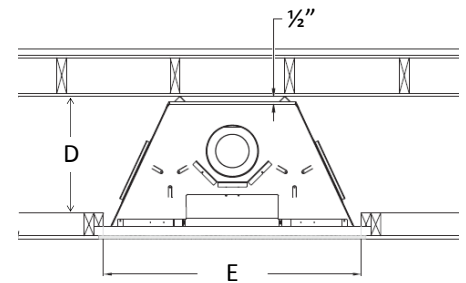
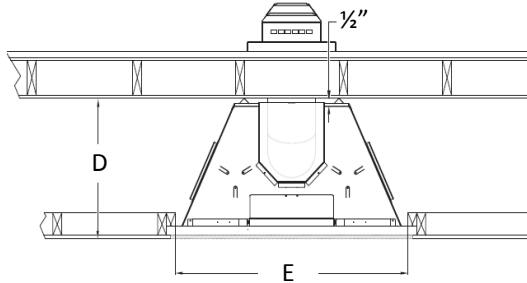
• GAS LINE OPENING: LEFT/RIGHT SIDES • ELECTRICAL ACCESS: RIGHT SIDE

Model	BTU	Height		Front Width		Back Width		Depth		Glass Viewing Area
		Actual	Framing	Actual	Framing	Actual	Framing	Actual	Framing	
CAR-39	40,000 (NG) 41,000 (LP)	34-1/2	44-1/2	38-3/4	39-3/4	19-15/16	39-3/4	22	22-1/2	28-1/8 x 32-7/16
CAR-46	45,000	36	46	45-3/4	46-1/4	22-38	45-3/4	21-1/2	22	27-1/2 x 39-7/16

Framing Opening



Dimension	CAR-39	CAR-46
A	44-1/2	46
B	39-3/4	46-1/2
C	22	21-1/2

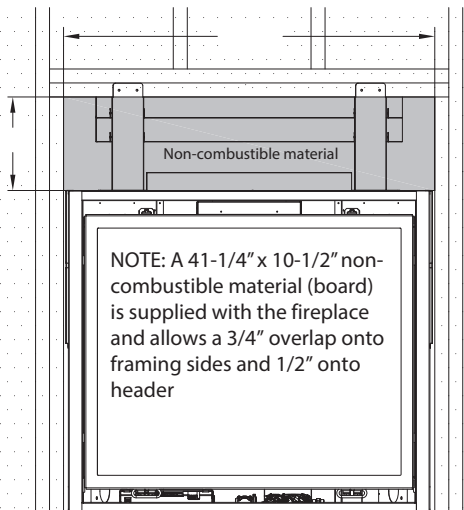


Dimension	CAR-39	CAR-46
D	22	21-1/2
E	39-1/4	46-1/4
F	62-5/8	64-3/4
G	39-3/4	46-1/4
H	12-9/16	13-5/16
I	44-5/16	45-3/4
J	31-5/16	32-3/8

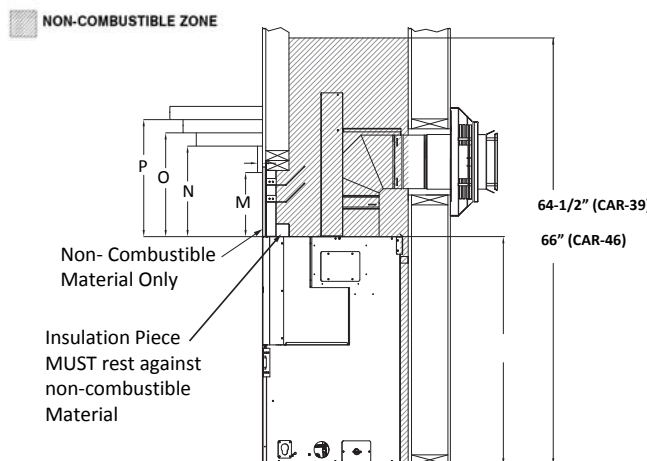
Finishing Clearances

Mantel Clearances

Finish Trim Kit



Dimension	CAR-39	CAR-46
K	39-3/4	46-1/2
L	10	10



Dimension	CAR-39	CAR-46	Dimension	CAR-39	CAR-46
M	10	10	O	16	16
N	14	14	P	18	18



Important!

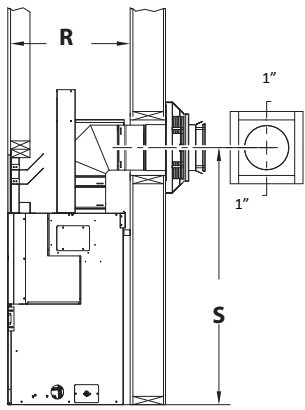
If you are finishing around the fireplace with tile or stone make sure that you install the **Finishing Trim Kit** at the framing stage.

The trim kit allows for your finishing board and your tile/stone to finish up against, creating a shadowbox for the face to sit inside.

Do not use with *RSF* fronts, all other fronts apply.

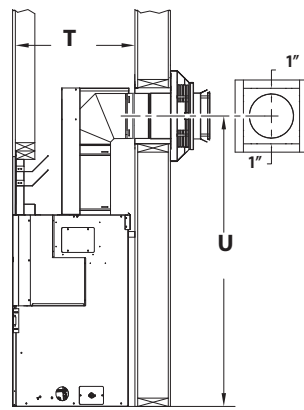
Horizontal Termination Framing

NATURAL GAS MINIMUM HORIZONTAL TERMINATION



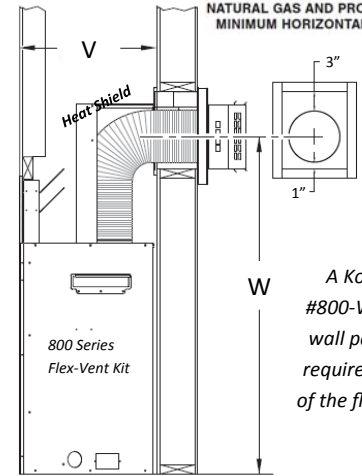
Dimension	CAR-39 (NG)	CAR-46 (NG)
R	22	21
S	46-1/4	47-3/4

PROPANE MINIMUM HORIZONTAL TERMINATION



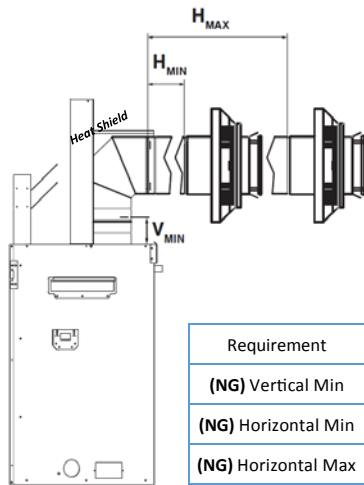
Dimension	CAR-39 (LP)	CAR-46 (LP)
T	22	21
U	52-1/4	53-3/4

NATURAL GAS AND PROPANE FLEX PIPE MINIMUM HORIZONTAL TERMINATION



Dimension	CAR-39 (NG/LP)	CAR-46 (NG/LP)
V	22	21-1/2
W	51-1/8	52-5/8

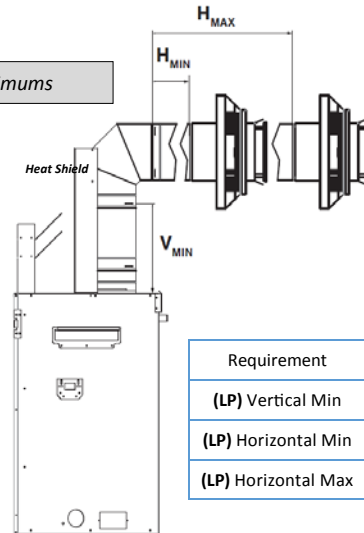
Horizontal Venting Minimum Requirements



Note specific model number and gas type minimums

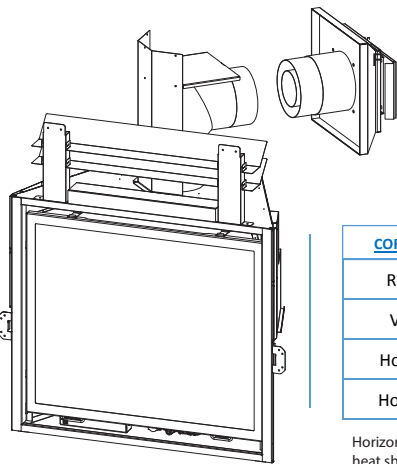
H = Horizontal
V = Vertical

Requirement	CAR-39	CAR-46
(NG) Vertical Min	9 + 90° Elbow	9 + 90° Elbow
(NG) Horizontal Min	6	6
(NG) Horizontal Max	10 ft.	10 ft.



Consult venting chart in manual for all options above minimum requirements

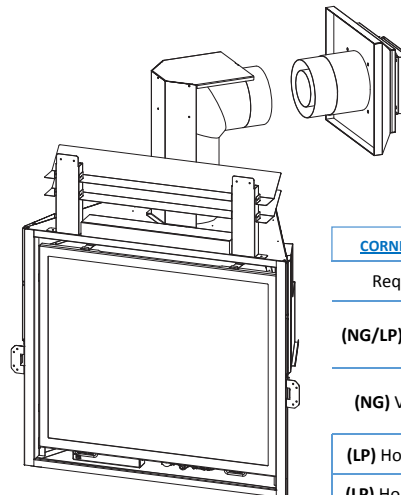
Requirement	CAR-39	CAR-46
(LP) Vertical Min	12 + 90° Elbow	12 + 90° Elbow
(LP) Horizontal Min	6	6
(LP) Horizontal Max	4 ft.	4 ft.



6 + 90° Elbow + 6 =
CAR-46 (NG)

CORNER VENTING	
Requirement	CAR-46 (NG ONLY)
Vertical Min	6 + 90° Elbow
Horizontal Min	6
Horizontal Max	CAP

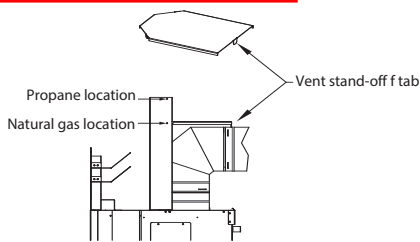
Horizontal heat shield



12 + 90° Elbow + 6 =
CAR-39 (NG)
CAR-39 (LP)
CAR-46 (LP)

CORNER VENTING		
Requirement	CAR-39	CAR-46 (LP ONLY)
(NG/LP) Vertical Min	12 + 90° Elbow	12 + 90° Elbow
(NG) Vertical Min	12 + 90° Elbow	12 + 90° Elbow
(LP) Horizontal Min	6	6
(LP) Horizontal Max	CAP	CAP

Heat Shield Requirements



The vertical vent heat shield must be installed for EVERY type of venting application. The horizontal vent heat shield must be installed when incorporating minimum horizontal venting and is positioned according to the gas type.