

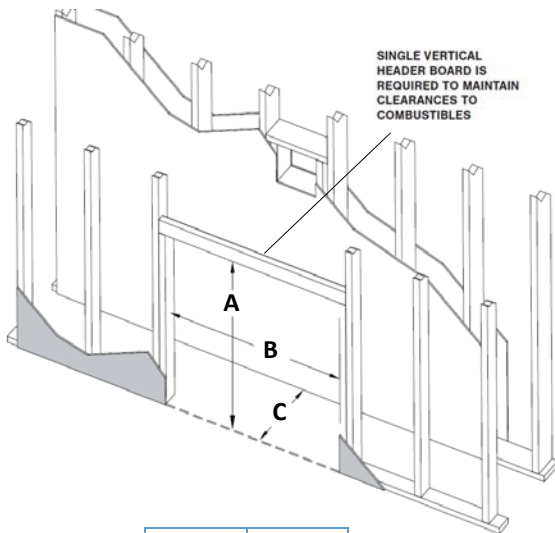
Please leave these reference guides at the installation location until the installation is finished. See owners manual for full installation and finishing instructions before making final decisions as information is subject to change.

Specifications (all measurements are in inches)

• GAS LINE OPENING: RIGHT SIDE • ELECTRICAL ACCESS: LEFT SIDE

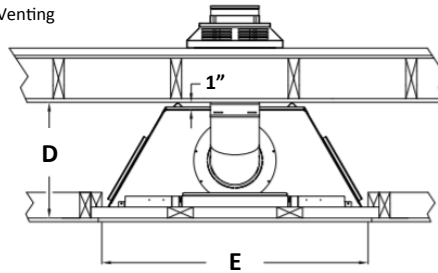
| Model | BTU | Height | | Front Width | | Back Width | | Depth | | Glass Viewing Area |
|--------------------------|--------|--------|---------|-------------|---------|------------|---------|----------|---------|--------------------|
| | | Actual | Framing | Actual | Framing | Actual | Framing | Actual | Framing | |
| BAY-36 (all versions) | 26,500 | 32 | 42 | 35-3/4 | 36-1/4 | 18-7/8 | 36-1/4 | 15-13/16 | 15-7/8 | 29-1/4 x 23-3/4 |

Framing Opening

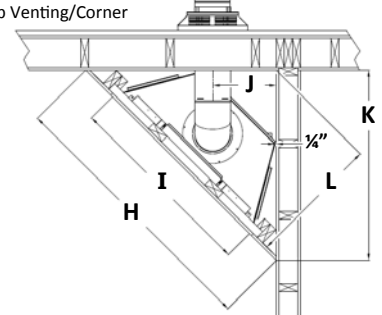


| Dimension | BAY-36 |
|-----------|--------|
| A | 42 |
| B | 36-1/4 |
| C | 15-7/8 |

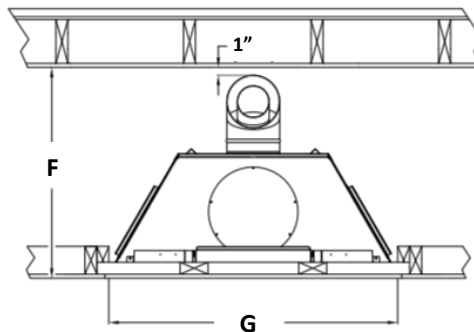
Top Venting



Top Venting/Corner

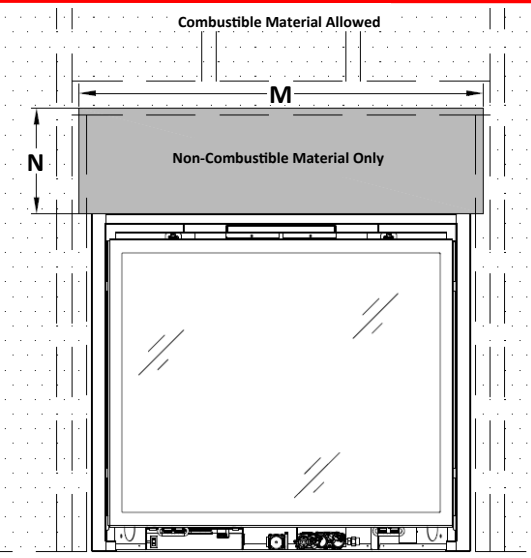


Rear Venting



| Dimension | BAY-36 |
|-----------|----------|
| D | 16-1/4 |
| E | 36-1/4 |
| F | 26-1/2 |
| G | 36-1/4 |
| H | 50-7/16 |
| I | 36-1/4 |
| J | 11-7/8 |
| K | 35-5/8 |
| L | 24-11/16 |

Finishing Clearances



| Dimension | BAY-36 |
|-----------|--------|
| M | 37-3/4 |
| N | 10-1/2 |

Finish Trim Kit



Important! If you are finishing around the fireplace with tile or stone make sure that you install the **Finishing Trim Kit** at the framing stage.

The trim kit allows for your finishing board and your tile/stone to finish up against, creating a shadowbox for the face to sit inside.

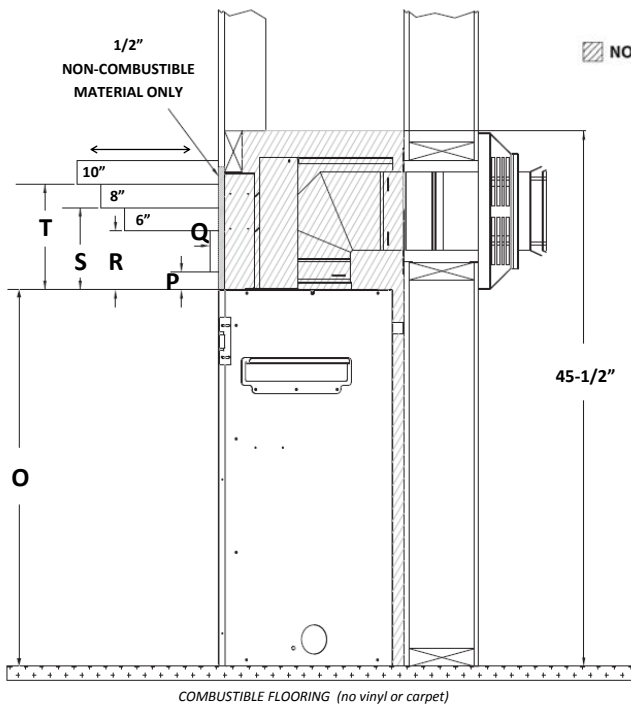
Do not use with *RSF* fronts, all other fronts apply.

Mantel Clearances

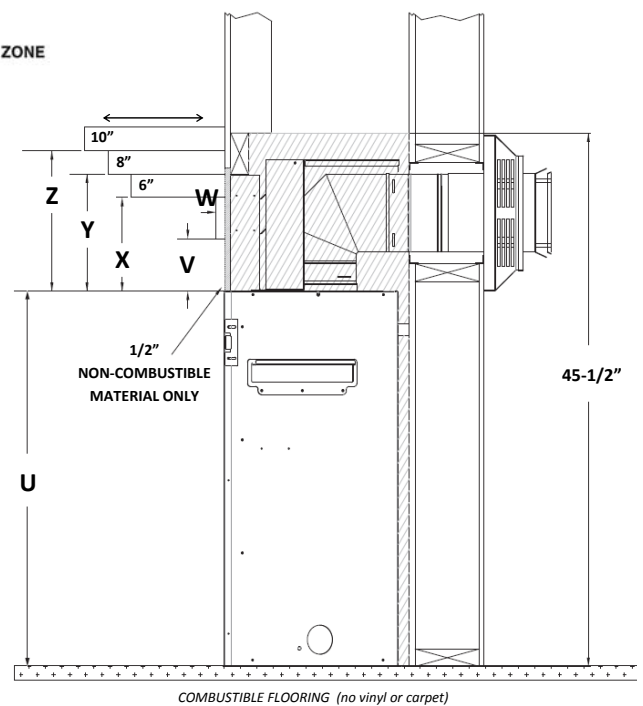
*NOTE: The clearances allowed here are ONLY for Safety Screen Fronts with part numbers that include **the number 2** (Example: #B36-PSF₂)*

Clearances outlined in this drawing are for installations with screen front
#B36-RSF₂ ONLY

All other screen front installations must follow the clearances outlined here

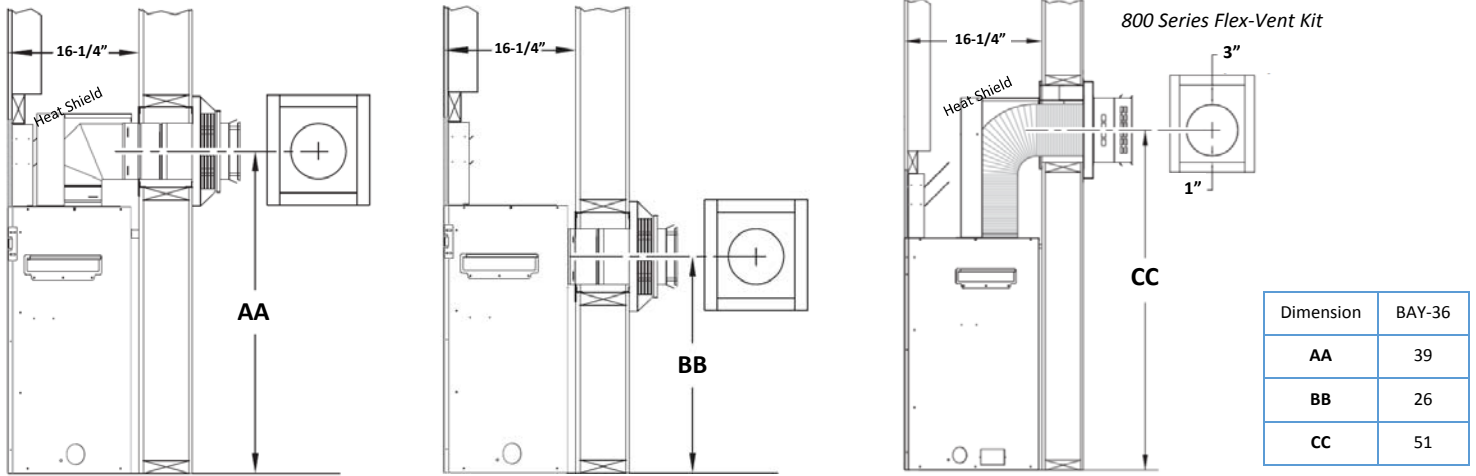


| Dimension | BAY-36 |
|-----------|--------|
| O | 32 |
| P | 1-1/2 |
| Q | 3/4 |
| R | 5 |
| S | 7 |
| T | 9 |



| Dimension | BAY-36 |
|-----------|--------|
| U | 32 |
| V | 4-1/2 |
| W | 3/4 |
| X | 8 |
| Y | 10 |
| Z | 12 |

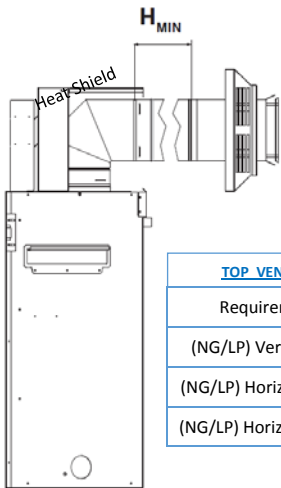
Horizontal Termination Framing



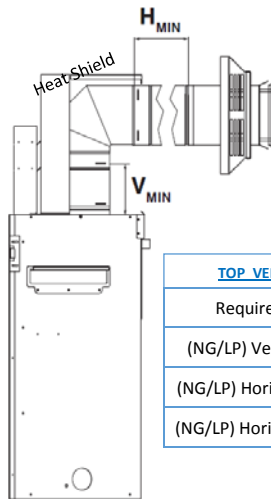
Horizontal Venting Minimum Requirements

H = Horizontal
V = Vertical

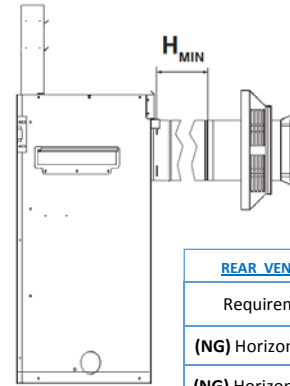
Note specific gas type minimums



| TOP VENTING | LOG MODEL |
|------------------------|-----------|
| Requirement | BAY-36-L |
| (NG/LP) Vertical Min | 90° Elbow |
| (NG/LP) Horizontal Min | 6 |
| (NG/LP) Horizontal Max | 8 ft. |



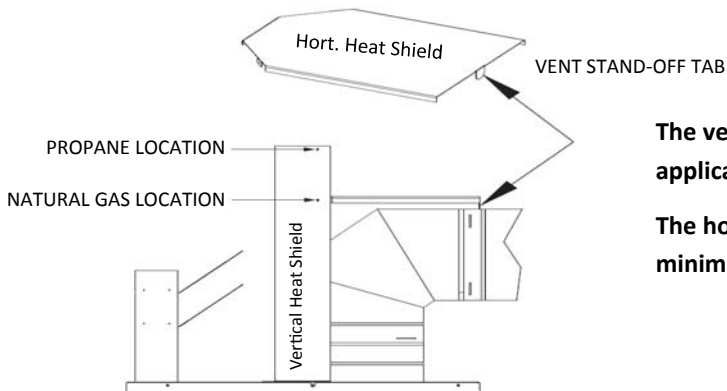
| TOP VENTING | GLASS MODEL |
|------------------------|---------------|
| Requirement | BAY-36-G |
| (NG/LP) Vertical Min | 6 + 90° Elbow |
| (NG/LP) Horizontal Min | 6 |
| (NG/LP) Horizontal Max | 8 ft. |



| REAR VENTING | BOTH MODELS |
|---------------------|-------------|
| Requirement | BAY-36-L/G |
| (NG) Horizontal Min | 6 |
| (NG) Horizontal Max | 48 |
| (LP) Horizontal Min | 6 |
| (LP) Horizontal Max | 12 |

Consult venting chart in the manual for all options above minimum requirements

Heat Shield Requirements



The vertical vent heat shield must be installed for EVERY type of venting application.

The horizontal vent heat shield must be installed when incorporating minimum horizontal venting and is positioned according to the gas type.