

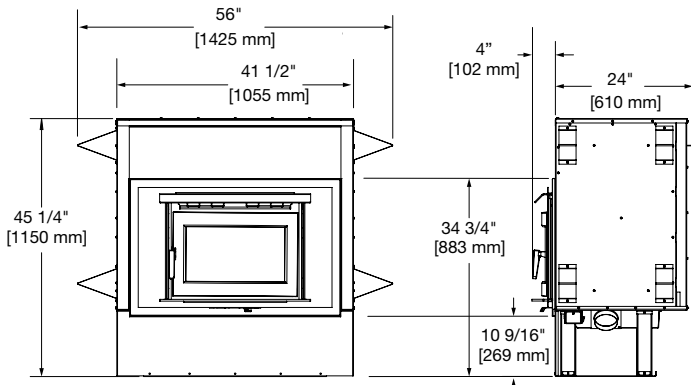


# FP25 Arch LE

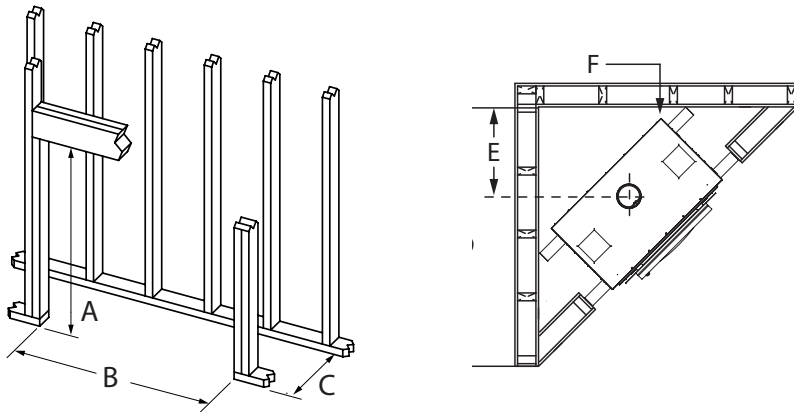
FOR MEDIUM TO LARGE SPACES



## UNIT DIMENSIONS



## FRAMING DIMENSIONS



A	62"
B	56 1/2"
C	24"
D	68 3/8"
E	23 7/8"
F	3 1/8"

## TECHNICAL DATA

**85,000 BTU Heat Output Cord Wood**  
51,500 BTU EPA Test Fuel

Efficiency (HHV)	72%
Emissions	1.4 gm/hr.
Log Size (recommended)	16"
Log Size (max)	18"
Firebox Size	2.1 cu.ft.
Glass Viewing Area	184 sq.in.
Weight	610 lb.

## CLEARANCES

<b>Minimum distance to the underside of the Mantel</b> (max 12" deep) from the top of the Heat Exchanger Air Deflector.	16" (406mm)
<b>Minimum distance to the adjacent wall</b> from the side of the fireplace door.	22" (560mm)
<b>Minimum distance to the Mantel side facing</b> (max 4" deep) from the side of the fireplace door.	11 1/2" (292mm)
<b>Minimum width of floor protection</b> from side of door opening.	8" (200mm)
<b>Minimum depth of non-combustible ember protector:</b> from the front of the fireplace.	16 1/2" (420mm)