

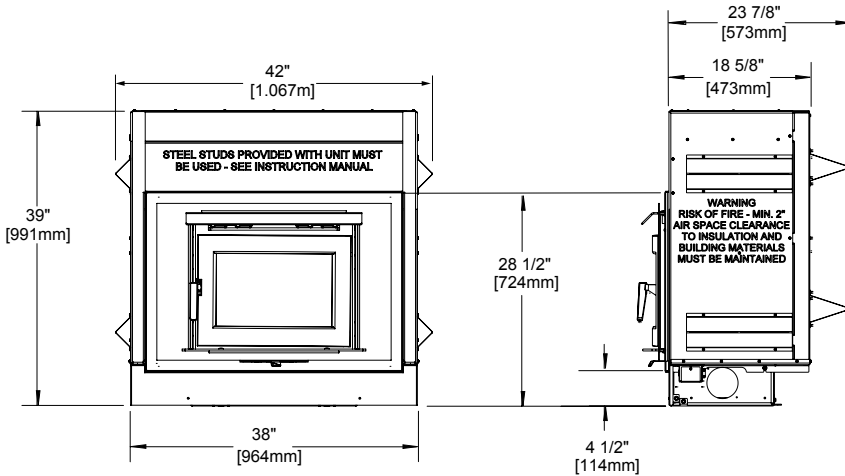


# FP16 LE

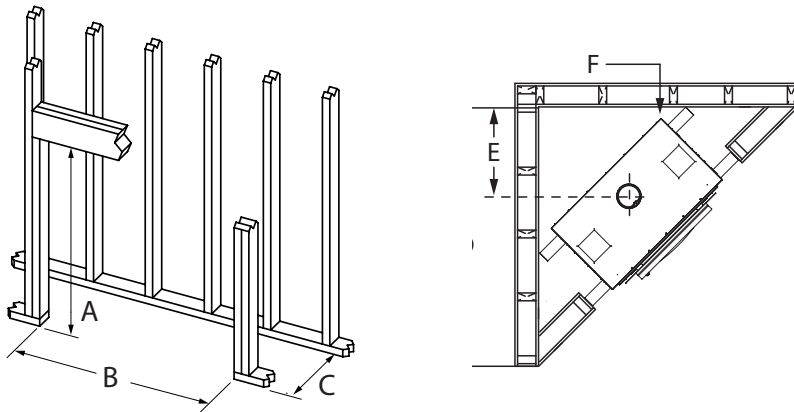
FOR MEDIUM TO LARGE SPACES



## UNIT DIMENSIONS



## FRAMING DIMENSIONS



A	55 1/2"
B	42"
C	24"
D	
E	21 1/2"
F	

## TECHNICAL DATA

### 70,000 BTU Cord Wood

47,000 BTU EPA Test Fuel

Efficiency (LHV) 68%  
 Emissions 1.4 gm/hr.  
 Log Size (recommended) 16"  
 Log Size (max) 17"  
 Firebox Size 1.6 cu.ft.  
 Glass Viewing Area 173 sq.in.  
 Weight 480 lb.

## CLEARANCES

<b>Minimum distance to the underside of the Mantel</b> (4" deep) from the top of the Heat Exchanger Air Deflector.	20 3/4" (530mm)
<b>Minimum distance to the adjacent wall</b> from the side of the fireplace door.	15" (380mm)
<b>Minimum distance to the Mantel side facing</b> (max 4" deep) from the side of the fireplace door.	12" (305mm)
<b>Minimum width of floor protection</b> from side of door opening.	8" (200mm)
<b>Minimum depth of non-combustible ember protector:</b> from the front of the fireplace.	18" (455mm)