



Brigantia

FIREPLACES



57-DVRS50

GAS FIRED VENTED ROOM HEATER (DIRECT VENT)

SERIAL NUMBERS 510071 AND HIGHER

USERS' INSTALLATION OPERATION AND MAINTENANCE MANUAL

WARNING: If the information in this manual is not followed exactly, a fire or explosion may result causing property damage, personal injury or loss of life.

Do not store or use gasoline or other flammable vapors and liquids in the vicinity of this or any other appliance.

WHAT TO DO IF YOU SMELL GAS:

- * Do not try to light any appliance.
- * Do not touch any electrical switch; do not use any phone in your building.
- * Immediately call your gas supplier from a neighbor's phone. Follow the gas supplier's instructions.
- * If you cannot reach your gas supplier, call the fire department.

Installation and service must be performed by a qualified installer, service agency or the gas supplier.

This appliance may be installed in an aftermarket permanently located, manufactured home (USA only) or mobile home, where not prohibited by local codes.

This appliance is only for use with the type of gas indicated on the rating plate. This appliance is not convertible for use with other gases, unless a certified kit is used.

*Conversion kit required for Propane use

 **DANGER**

HOT GLASS WILL CAUSE BURNS.

DO NOT TOUCH GLASS UNTIL COOLED.

NEVER ALLOW CHILDREN TO TOUCH GLASS.

A barrier designed to reduce the risk of burns from the hot viewing glass is provided with this appliance and shall be installed for the protection of children and other at-risk individuals.

Tested and listed by



NATIONAL
FIREPLACE
INSTITUTE



www.nficertified.org

We recommend that our gas hearth products be installed and serviced by professionals who are certified in the U.S. by the National Fireplace Institute® (NFI) as NFI Gas Specialists.

INSTALLER: Leave this manual with the appliance.
CONSUMER: Retain this manual for future reference.



7116 Beatty Dr
Mission, BC V2V 6B4
Canada

LABTEST Certification Inc
Richmond, British Columbia
ANSI Z21.88-2009/CSA 2.33-2009

200-0057-04
June 05, 2017

STATE OF MASSACHUSETTS REQUIREMENTS (G1-0813-54)

5.08: Modifications to NFPA-54, Chapter 10

(2) Revise 10.8.3 by adding the following additional requirements:

(a) For all side wall horizontally vented gas fueled equipment installed in every dwelling, building or structure used in whole or in part for residential purposes, including those owned or operated by the Commonwealth and where the side wall exhaust vent termination is less than seven (7) feet above finished grade in the area of the venting, including but not limited to decks and porches, the following requirements shall be satisfied:

1. **INSTALLATION OF CARBON MONOXIDE DETECTORS.** At the time of installation of the side wall horizontal vented gas fueled equipment, the installing plumber or gasfitter shall observe that a hard wired carbon monoxide detector with an alarm and battery back-up is installed on the floor level where the gas equipment is to be installed. In addition, the installing plumber or gasfitter shall observe that a battery operated or hard wired carbon monoxide detector with an alarm is installed on each additional level of the dwelling, building or structure served by the side wall horizontal vented gas fueled equipment. It shall be the responsibility of the property owner to secure the services of qualified licensed professionals for the installation of hard wired carbon monoxide detectors

a. In the event that the side wall horizontally vented gas fueled equipment is installed in a crawl space or an attic, the hard wired carbon monoxide detector with alarm and battery back-up may be installed on the next adjacent floor level.

b. In the event that the requirements of this subdivision can not be met at the time of completion of installation, the owner shall have a period of thirty (30) days to comply with the above requirements; provided, however, that during said thirty (30) day period, a battery operated carbon monoxide detector with an alarm shall be installed.

2. **APPROVED CARBON MONOXIDE DETECTORS.** Each carbon monoxide detector as required in accordance with the above provisions shall comply with NFPA 720 and be ANSI/UL 2034 listed and IAS certified.

3. **SIGNAGE.** A metal or plastic identification plate shall be permanently mounted to the exterior of the building at a minimum height of eight (8) feet above grade directly in line with the exhaust vent terminal for the horizontally vented gas fueled heating appliance or equipment. The sign shall read, in print size no less than one-half (1/2) inch in size, "**GAS VENT DIRECTLY BELOW. KEEP CLEAR OF ALL OBSTRUCTIONS**".

4. **INSPECTION.** The state or local gas inspector of the side wall horizontally vented gas fueled equipment shall not approve the installation unless, upon inspection, the inspector observes carbon monoxide detectors and signage installed in accordance with the provisions of 248 CMR 5.08(2)(a)1 through 4.

(b) **EXEMPTIONS:** The following equipment is exempt from 248 CMR 5.08(2)(a)1 through 4:

1. The equipment listed in Chapter 10 entitled "Equipment Not Required To Be Vented" in the most current edition of NFPA 54 as adopted by the Board; and

2. Product Approved side wall horizontally vented gas fueled equipment installed in a room or structure separate from the dwelling, building or structure used in whole or in part for residential purposes.

(c) **MANUFACTURER REQUIREMENTS - GAS EQUIPMENT VENTING SYSTEM PROVIDED.** When the manufacturer of Product Approved side wall horizontally vented gas equipment provides a venting system design or venting system components with the equipment, the instructions provided by the manufacturer for installation of the equipment and the venting system shall include:

1. Detailed instructions for the installation of the venting system design or the venting system components; and

2. A complete parts list for the venting system design or venting system.

(d) **MANUFACTURER REQUIREMENTS - GAS EQUIPMENT VENTING SYSTEM NOT PROVIDED.** When the manufacturer of a Product Approved side wall horizontally vented gas fueled equipment does not provide the parts for venting the flue gases, but identifies "special venting systems", the following requirements shall be satisfied by the manufacturer:

1. The referenced "special venting system" instructions shall be included with the appliance or equipment installation instructions; and

2. The "special venting systems" shall be Product Approved by the Board, and the instructions for that system shall include a parts list and detailed installation instructions.

(e) A copy of all installation instructions for all Product Approved side wall horizontally vented gas fueled equipment, all venting instructions, all parts lists for venting instructions, and/or all venting design instructions shall remain with the appliance or equipment at the completion of the installation.

For the State of Massachusetts, installation and repair must be done by a plumber or gasfitter licensed in the Commonwealth of Massachusetts.

For the State of Massachusetts, flexible connectors shall not exceed 36 inches in length.

The State of Massachusetts requires the installation of a carbon monoxide alarm in accordance with NFPA 720 and a CO alarm with battery back up in the same room where the gas appliance is installed.

For the State of Massachusetts the appliances individual shut – off must be a t-handle type valve.

INTRODUCTION

Congratulations on choosing a Brigantia!

The 57-DVRS50 is one of the most advanced Direct Vent Gas Fireplace heaters available today. It is solidly designed using the latest technology and manufactured to the highest quality. It is our aim to provide you with an appliance for many trouble-free years of reliable service.

Some of the many features of your 57-DVRS50 are:

- **Heater Classification** The 57-DVRS50 is classified as a heating appliance. Therefore, it uses Direct Vent safety technology and it is suitable for continuously operated zone heating.
- **High Efficiency** The 57-DVRS50 has one of the highest efficiencies of any Direct Vent gas fireplace, which means that it is less expensive to operate.
- **Adjustable Flame** The flame aesthetics and heat output can be adjusted to suit the owner's liking and heating needs.
- **Solid Construction** The 57-DVRS50 is mainly constructed of 16 and 18 gauge galvanized and aluminized coated steel for long life and durability.
- **Optional Accessories** Check with your Authorized Brigantia Dealer for optional accessories to suit your home's décor and your tastes.
- **Electronic Control System** The 57-DVRS50 uses a gas control valve that is operated by a Multifunction Remote Control. It can be used as either an Intermittent Pilot or Standing Pilot system.

Fireplace Model Number 57-DVRS50

Fireplace Serial Number _____

Date of Installation _____

Type of Gas Used by the Fireplace _____

Dealer's Name _____

TABLE OF CONTENTS

Caution and Safety Instructions	4
Appliance Certification, Installation Codes and Specifications	5
Rating Plate	6
Appliance Dimensions	7
Framing Dimensions and Clearance to Combustibles	8-9
Installation Instructions	10-12
Venting Instructions	13-17
Gas Connections	18
Panel & Baffle installation	19
Burner media, Door, Screen, and Surround Installation	20-22
Checking Inlet & Outlet pressures	23
Final Installation Check and Initial Operation	24
Lighting Instructions on Rating Plate	25
First Fire and Lighting Instructions (CAUTION)	26
Remote Control Setup and Operation	27-33
Conversion Kit Instructions	34-36
Maintenance and Cleaning the Appliance	37
Servicing Under Warranty	37
Wiring Schematics	38
Parts List	39
Frequently Asked Questions	40
Notes	41
Warranty	42
Warranty Registration Card	43

CAUTION & SAFETY

FOR YOUR SAFETY - Do not install or operate your Brigantia 57-DVRS50 without reading and understanding this manual. Any installation or operational deviation from this instruction manual voids the Brigantia Industries Warranty and may prove hazardous.

This appliance must be installed by a qualified gas installer and the installation must conform to the installation codes.

Provide adequate clearance around air openings.

Never obstruct front openings.

Provide adequate clearances for proper operation and servicing of the appliance.

This appliance must be properly connected to an approved venting system and must not be connected to a chimney flue serving a separate solid fuel burning appliance.

Must provide adequate clearance around the intake and exhaust openings

This appliance is equipped with a three pin plug for your protection against shock hazard and should be plugged directly into a properly grounded three prong receptacle. Do not cut or remove the grounding plug from this plug.

Caution: Label all wires prior to disconnection when servicing controls. Wiring errors can cause improper and dangerous operation.

Due to high temperatures, the appliance should be located out of traffic and away from furniture and draperies.

Children and adults should be alerted to the hazards of high surface temperature and stay away to avoid burns or clothing ignition.

Young children should be carefully supervised when they are in the same room as the appliance. Toddlers, young children and others may be susceptible to accidental contact burns. A physical barrier is recommended if there are at risk individuals in the house. To restrict access to a fireplace or stove, install an adjustable safety gate to keep toddlers, young children and other at risk individuals out of the room and away from hot surfaces.

Clothing or other flammable material should not be placed on or near the appliance.

Do not operate with cracked or broken glass. Be careful not to strike or slam the glass.

Any safety screen or guard removed for servicing an appliance must be replaced prior to operating.

Installation and Repair should be done by a qualified service person. The appliance should be inspected before use and at least annually by a professional service person. More frequent cleaning may be required due to excessive lint from carpeting, bedding materials, etc. It is imperative that the control compartments, burners and circulating air passageways of the appliance are kept clean.

Do not use this appliance if any part has been under water. Immediately call a qualified service technician to inspect the appliance and to replace any part of the control system and any gas control which has been under water.

APPLIANCE CERTIFICATION

This appliance was listed by LABTEST Certification Inc to the following USA and Canadian gas appliance standards.

- ANSI Z21.88-2009/CSA 2.33-2009 Vented Gas Fireplace Heaters
- CSA P.4.1-09 testing method for measuring annual fireplace efficiency.

The listing label is attached to the appliance on the bottom right side of the appliance.

A copy is shown on page

Please contact Archgard Industries Ltd., if you have any questions regarding the certification of this appliance.

INSTALLATION CODES

This appliance must be installed by a qualified gas appliance installer. The installation must conform with the local codes or, in the absence of local codes, with the current National Fuel Gas Code ANSI Z223.1/ NFPA 54 in the US, or Installation Code CAN/CGA-B149.1 in Canada. Electrical connections and grounding must conform with local code, or current National Electrical code ANSI/NFPA No. 70-1987 in the US, and in Canada the current Canadian Electrical Code CSA C22.1.

A manufactured home (USA only) or mobile home OEM installation must conform with the Manufactured Home Construction and Safety Standard, Title 24CFR, Part 3280, or, when such a standard is not applicable, the Standard for manufactured Home Installations, ANSI/NCSCBS A225.1 or Standard for Gas Equipped Recreational vehicles and Mobile Housing, CSA Z240.4

We recommend that our gas hearth products be installed and serviced by professionals who are certified in the U.S. by the National Fireplace Institute®(NFI) as NFI Gas Specialists.

SPECIFICATIONS


	Natural Gas	LPG
Maximum input rating Minimum input rating	50,000 BTU/hr (14.7kW) 21,000 BTU/hr (6.1 kW)	50,000 BTU/hr (14.7kW) 19,000 BTU/hr (5.6kW)
Maximum manifold pressure Minimum manifold pressure	3.5" W.C. (0.9 kPa) 1.6" W.C. (0.4 kPa)	10" W.C. (2.5 kPa) 6.4" W.C. (1.6 kPa)
Orifice size - Center Orifice size - Sides	#35 DMS (2.77mm) x 1 #48 DMS (1.93mm) x 2	#53 DMS (1.63mm) x 1 #58 DMS (1.09mm) x 2
Supply Pressure (Min - Max)	5 - 14" W.C. (1.25 - 3.5 kPa)	11.0 - 14.0" W.C. (2.7 - 3.5 kPa)
Control Valve / La soupape controle	SIT Proflame 885	SIT Proflame 885
Altitude / Elevation	0 - 2000ft (0 - 610m)	0 - 2000ft (0 - 610m)
Electrical Rating / Tension electrique	120 VAC, 60 Hz, 1.4A	120 VAC, 60 Hz, 1.4A
Primary Air opening	1/16" (3mm) OPEN	1/4" (12mm) OPEN

HIGH ALTITUDE INSTALLATION

When installing this appliance beyond 2000 ft. (610 M) above sea level, the appliance must be properly de-rated and installed according to local codes, in the absence of local codes, with the current National Fuel Gas Code, ANSI Z223.1/ NFPA 54, in the US or Installation Code, CAN/CGA-B149, in Canada.

RATING PLATE

DO NOT REMOVE THIS LABEL



MODEL:
 57-DVRS50 (SIT 885 Proflame)

LISTED VENTED GAS FIREPLACE HEATER. Tested to: ANSI Z21.88-2014 / CSA 2.33-2014 and CAN/CGA-2.17-M91. This vented gas fireplace heater is not for use with air filters. Certified for use in both CANADA and USA.

VENTED GAS FIREPLACE HEATER-NOT FOR USE WITH SOLID FUEL.

	NG	LPG
Input rating	21,000- 50,000 BTU/hr (6.1 - 14.7 kW)	19,000 - 50,000 BTU/hr (5.6 - 14.7kW)
Manifold Pressure	3.5"W.C. - 1.6" W.C. (0.9 - 0.4 kPa)	10.0 - 6.4 in. W.C. (2.5 - 1.6 kPa)
Orifice size - Center	#35 DMS (2.77 mm dia.) x 1	#53 DMS (1.63 mm dia.) x 1
Orifice size - Sides	#48 DMS (1.93 mm dia.) x 2	#38 DMS (1.09 mm dia.) x 2
Supply pressure (Min - Max)	5 - 14.0 in. W.C. (1.25 - 3.5 kPa)	5.0 - 14.0 in. W.C. (2.74 - 3.5 kPa)
Burner Primary Air Setting	1/16" (3mm) Open	1/4" (12mm) Open
Altitude	0 - 2000 ft (0 - 610 m)	0 - 2000 ft (0 - 610 m)
Electrical rating	120 VAC, 60 Hz, less than 2 A.	
Replacement fan	Part # RF-305-0024 fan or blower assembly must be used	
Keep burner and control compartment clean. See Instructions accompanying the heater.	Minimum clearances to Combustibles: Ceiling: 24" (609 mm) Measured from top of host shell Floor: 5" (101 mm) Measured from bottom of host shell Adjacent Side Wall: 18" (457 mm) 8" (203 mm) Mantle : 12" (304 mm) Measured from top of host shell Adjacent sides and rear: 0" from stand-offs. See Owner's Manual for additional clearances	
Optional fuel conversion kit : See Manual		

This appliance must be installed in accordance with local codes, if any; if none, follow the National Fuel Gas Code, ANSI Z223.1/NFPA 54, or Natural Gas and Propane Installation Codes, CSA 2.33-2014, if any; if none, follow the current CAN/CSA C22.1 in Canada and ANSI/NFPA 70 in the US. This appliance is certified for installation in a bedroom or a bed sitting room. This appliance is only for use with the gas indicated on the rating plate and may be installed in an aftermarket, permanently located, manufactured (mobile) home where not prohibited by local codes. See owner's manual for details. This appliance is not convertible with other gases, unless a certified kit is used.

WARNING: Improper installation, adjustment, alteration, service, or maintenance can cause injury or property damage. Refer to the owner's information manual provided with this appliance. For assistance or additional information consult a qualified installer, service agency, or the gas supplier. This appliance must be properly connected to a Direct Vent venting system in accordance with the manufacturer's installation instructions.

WARNING: Failure to install this appliance per the manufacturer's instructions or failure to use only parts specifically approved with this appliance may result in property damage or personal injury.

WARNING: Do not operate the appliance until all sections have been assembled and installed in accordance with the manufacturer's instructions.


WARNING: Operation of this appliance when not connected to a properly installed and maintained venting system can result in carbon monoxide (CO) poisoning and possible death.

ONLY DOORS CERTIFIED WITH THE APPLIANCE SHALL BE USED.
For use only with barrier part # 57-BS. Follow installation instructions.

Made in Canada by:
Archgard Industries Ltd.
7116 Beatty Dr., Mission, B.C.

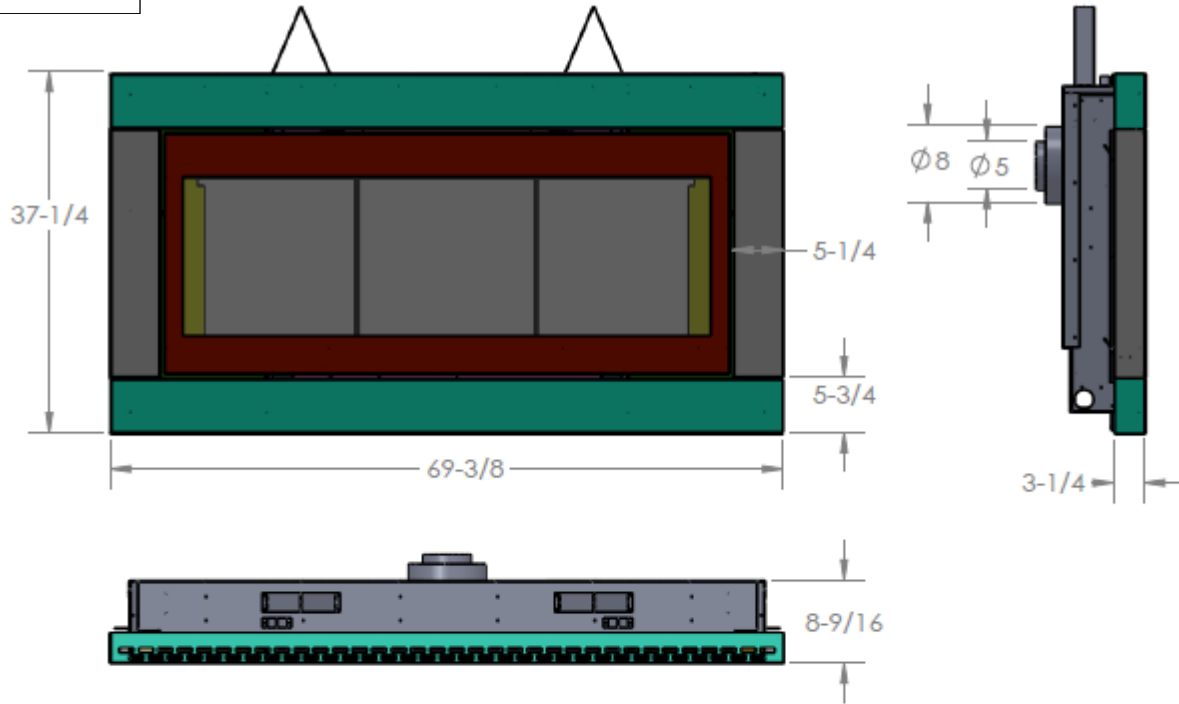
March 2017 303-6057-01

MANUFACTURE DATE:	2016	2017	2018	JAN	FEB	MAR	APR	MAY	JUN	JUL	AUG	SEP	OCT	NOV	DEC
-------------------	------	------	------	-----	-----	-----	-----	-----	-----	-----	-----	-----	-----	-----	-----

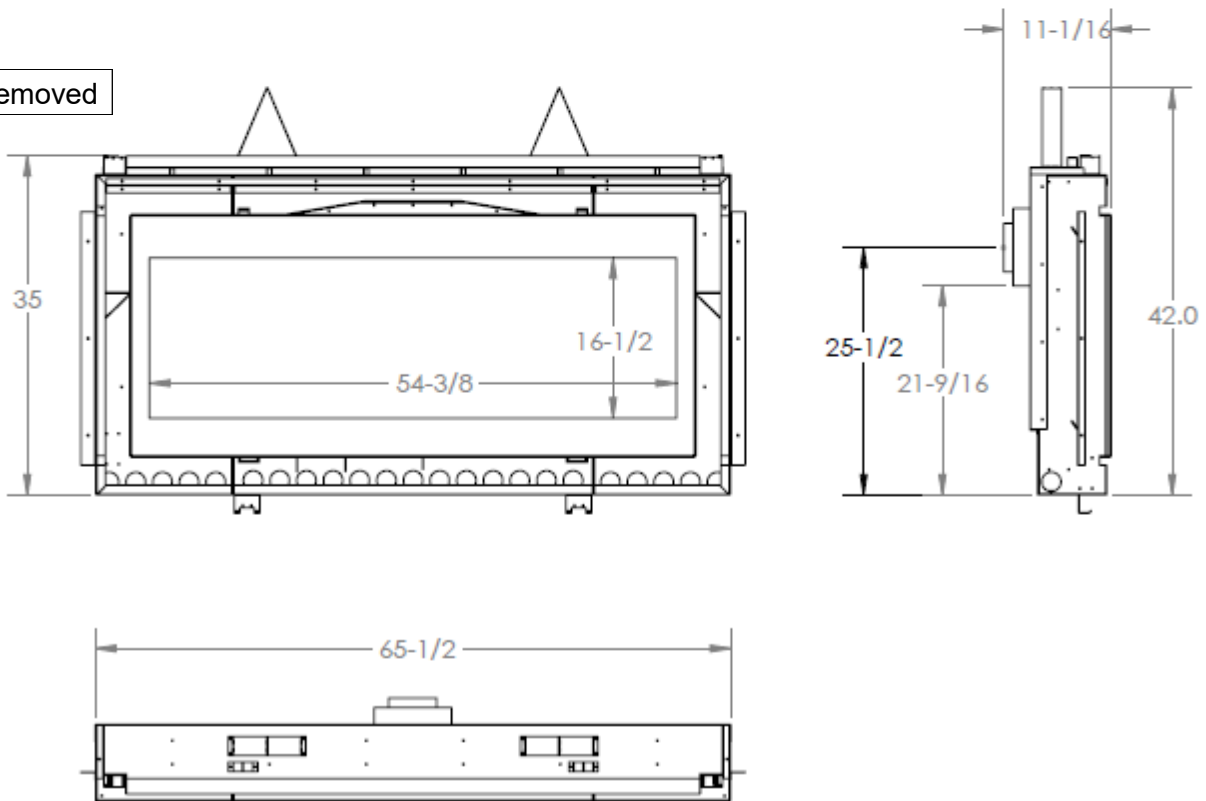


APPLIANCE DIMENSIONS

Surround Attached



Surround Removed



Framing Dimensions

The following section describes the requirements for framing for the model 57-DVRS50.

Note: Framing should be constructed as required by local building codes

2 x 6 Framing, opening in framing should be minimum of 66.50"W x 42.00"H.

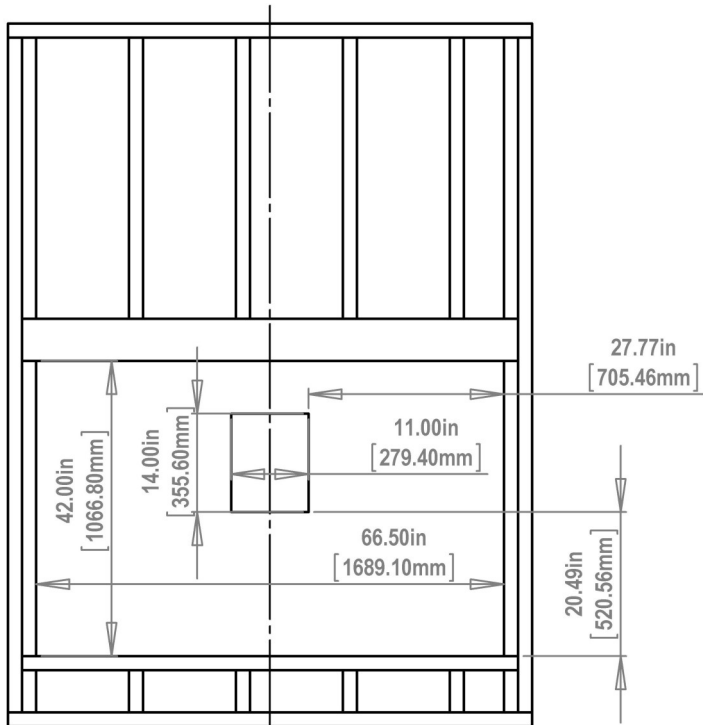
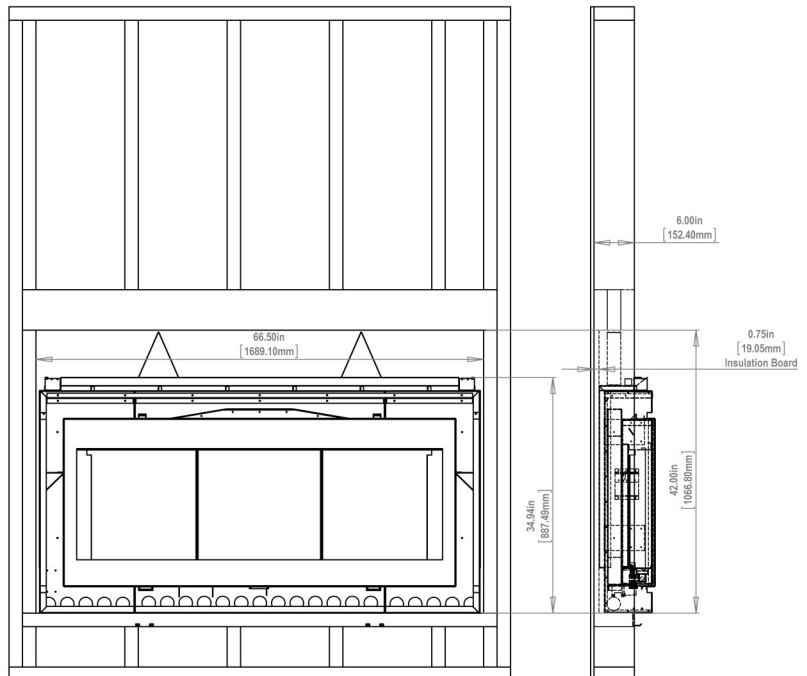


Figure 1

Figure 2



Corner Install View

Figure 3

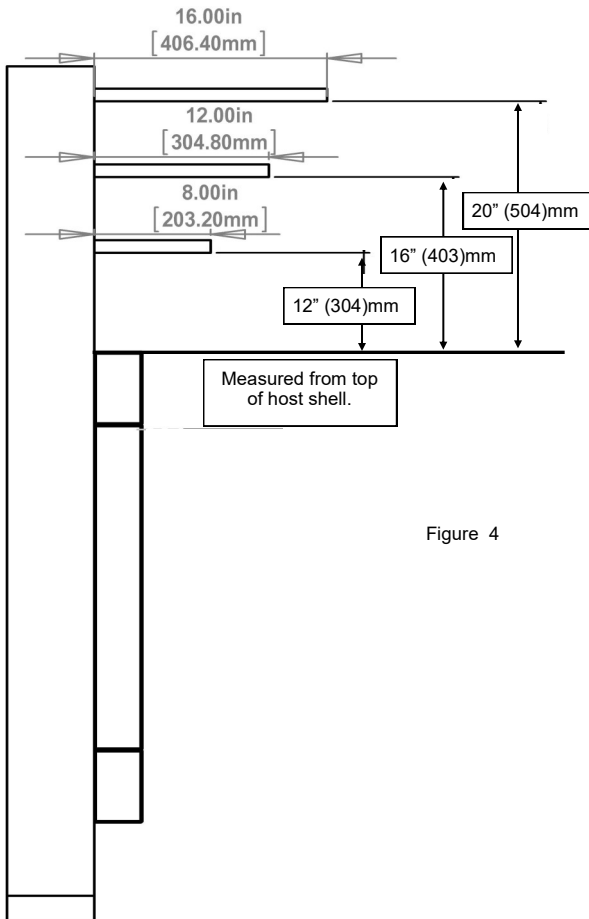
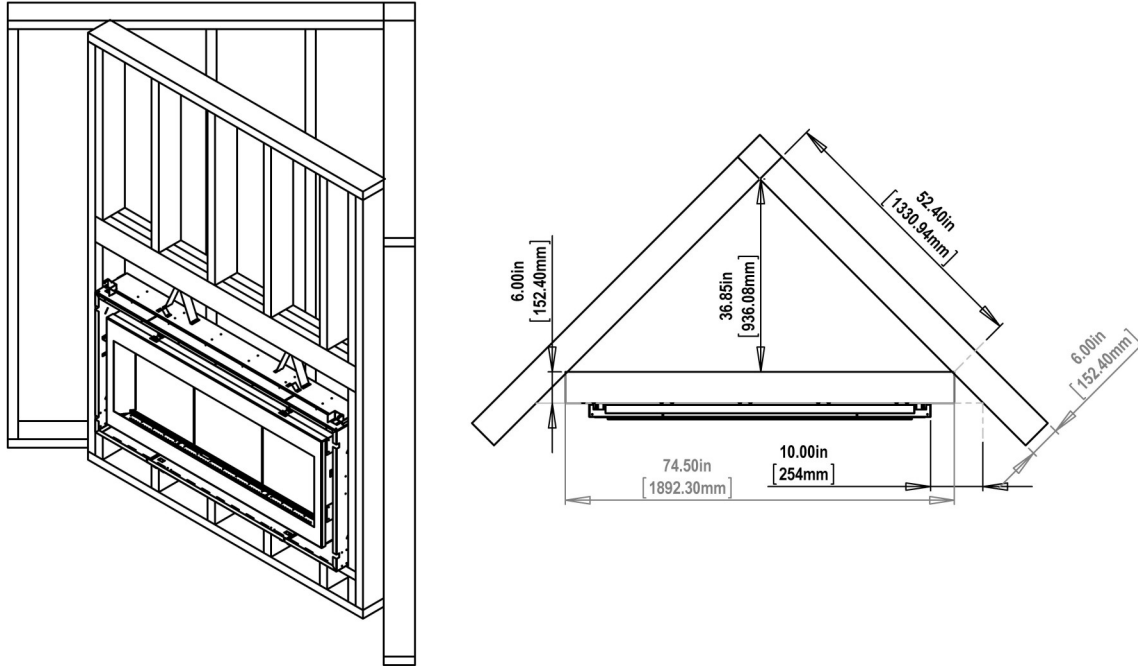


Figure 4

Mantle Clearances

Clearance to Combustibles

Minimum measurements below are from the edge of door (unless otherwise noted).

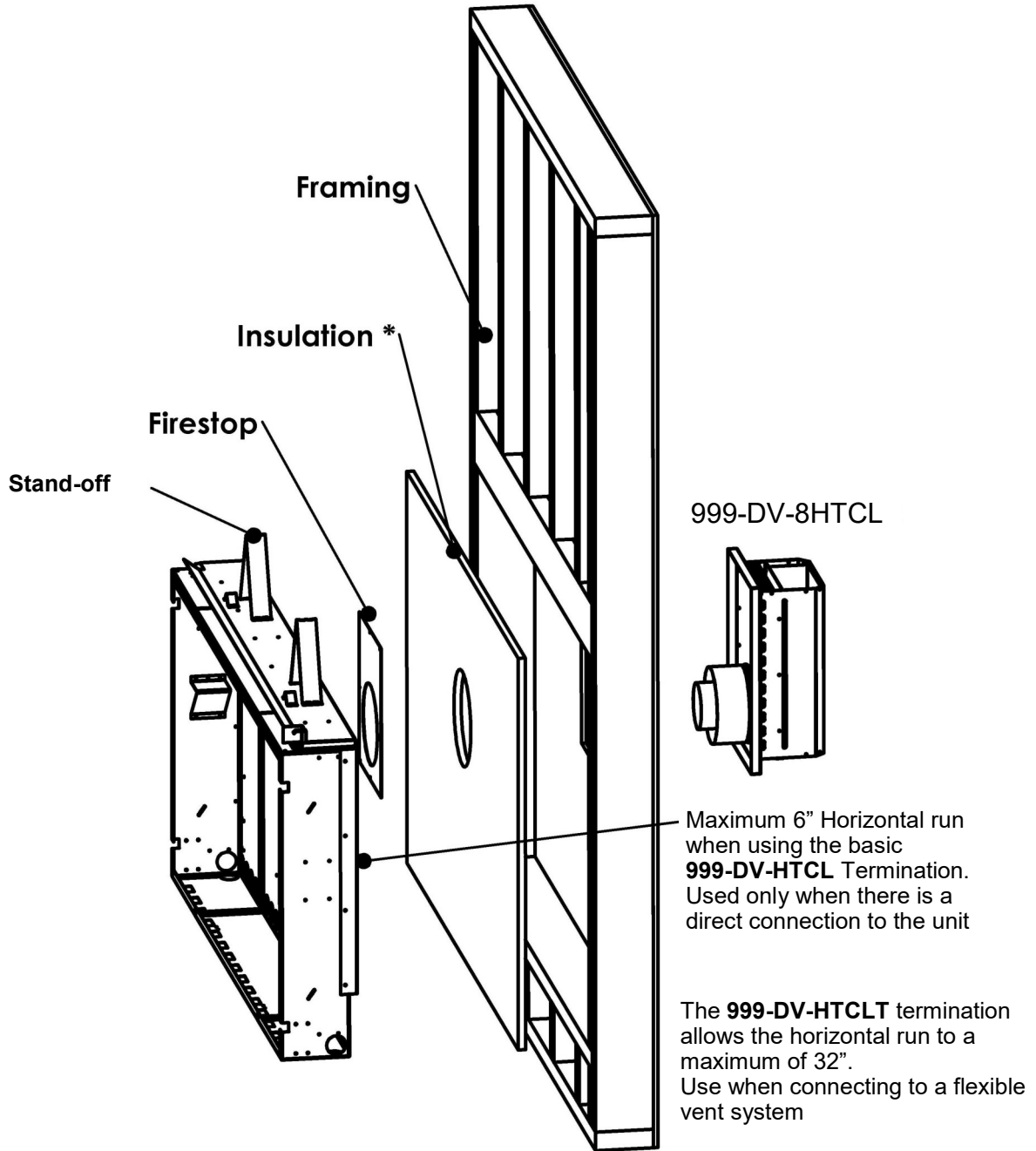
	Inches	MM
Top - to standoffs	0"	0
Sides-to standoffs	0"	0
Adjacent Side Wall	18"	454
Room Floor* (From bottom of host shell)	5"	101
Vent - Top	2"	50
Vent - side/bottom	1"	25
Front	48"	1210
Room Ceiling (From top of host shell)	24"	907

* Clearance to combustible floor must maintain clearances from the top surface of carpet, flooring, etc.

Installation Instructions

Exploded view rear vent installation

Figure 5



* Insulation board only for required installations

Installation Instructions



Frame opening and cut out hole for the termination and thimble as shown in fig. #6

Figure 6

When installing on an exterior wall you must install the exterior wall insulation board (#57-IB). Place insulation board with the foil facing into the room. Install the wall thimble (as shown below) and seal it and the edges of the insulation board with a good quality silicone sealant to prevent cold drafts. (exterior wall only)

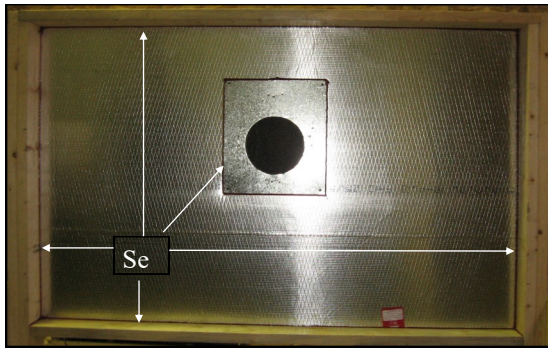
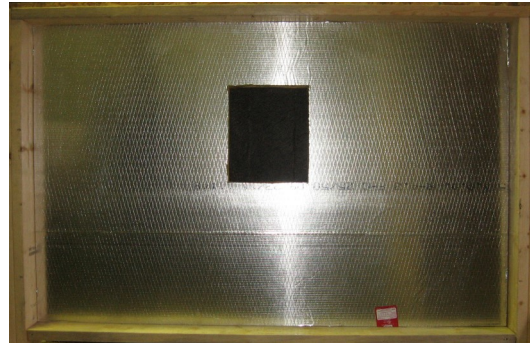


Figure 7

Nailing Flanges

Figure 8

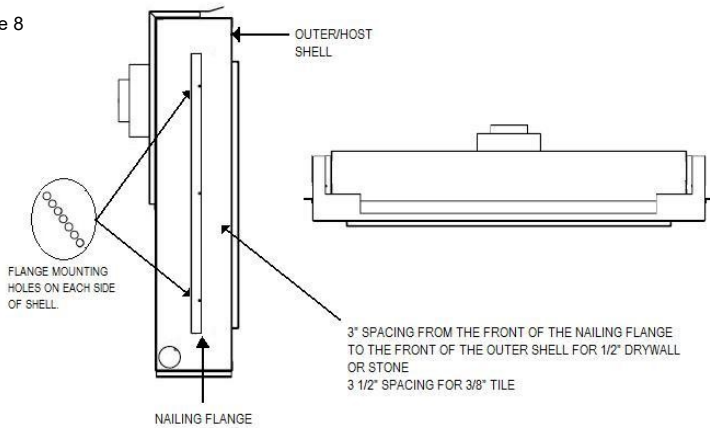
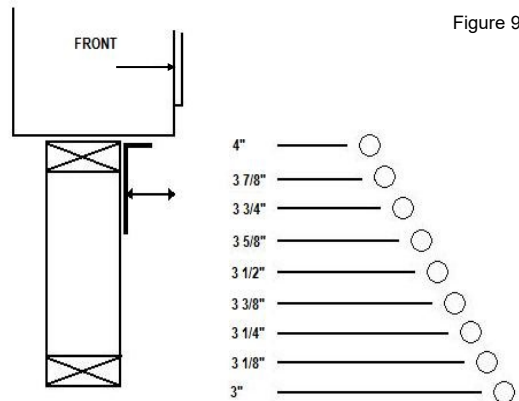


Figure 9



Install the nailing flanges provided, by screwing them to the side of the outer shell using the appropriate holes for the facing material. Place the fireplace into the framed opening and secure the nailing flanges to the wall.

Installation Instructions Cont.

Installed fireplace with stand-offs

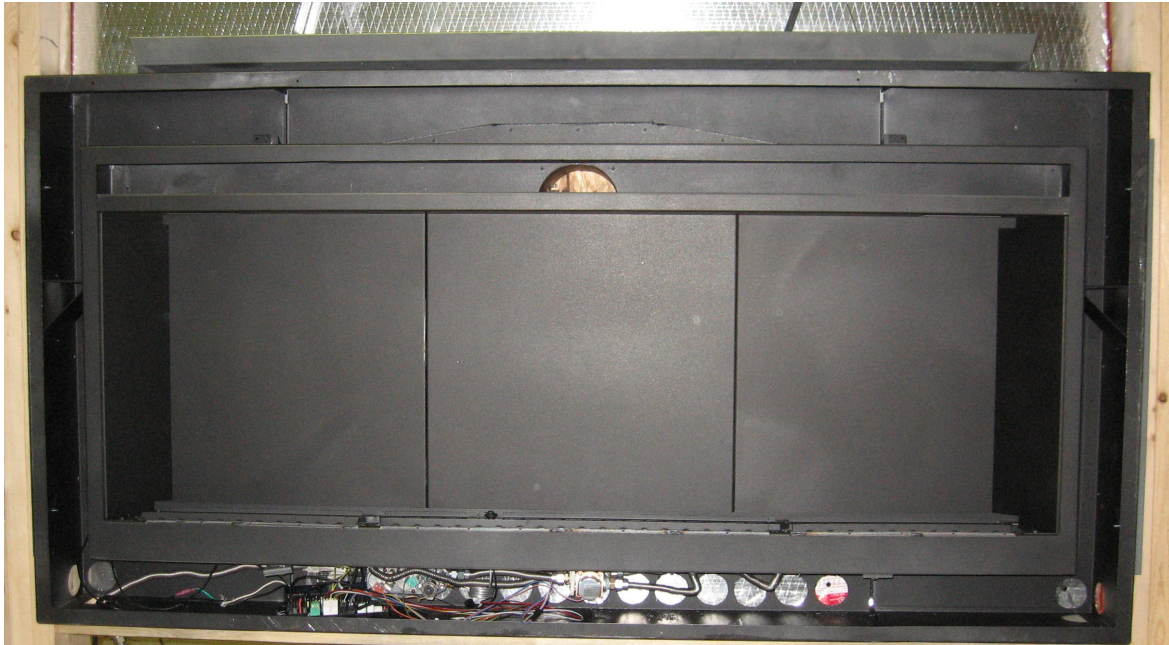
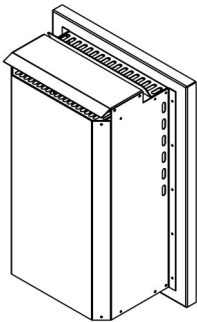


Figure 10

Figure 11



Caulk the outside portion of the vent collar to the fire-stop to prevent cold drafts. Next install the outer portion of the wall thimble and the termination.



N O T E

For installations straight off the back of the 57-DVRS50 the Archgard 999-DV-8HTCL termination is required. The maximum horizontal run straight out the back is 6.00" (no rise). For horizontal venting of up to 32" use the 999-DV-8HTCLT. When using the "TALL" termination a 1"/ft rise is recommended

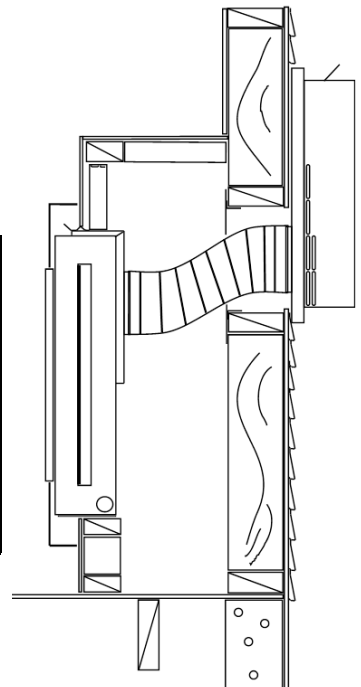


Figure 12

Installation Instructions Cont.

The following vent systems are certified for use with the model 57-DVRS50

Manufacturer	Termination	Adapter
Archgard	999-DV-8HTCL (Direct connect to unit) 999-DV-8HTCLT (Flex connect to unit)	N/A
Dura Vent	58DVA-HC - Square Horizontal Cap (requires adapter) 58DVA-VCH - Co-Axial High Wind Vertical Cap	Optional*: 58DVA-AD-M1
ICC/Excel	TM 5SVT - Small Vertical Term TM 5DHT - Delux Horizontal Term TM 5HT - Horizontal Term	TM-5AA7
Ameri-vent	DVC - Co-Axial Cap (requires adapter)	5DSC-N
Selkirk	Direct Temp DV Venting	5DT-AA
2-ply Aluminum	5" x 8" 2-ply Listed Aluminum Flexible pipe	N/A

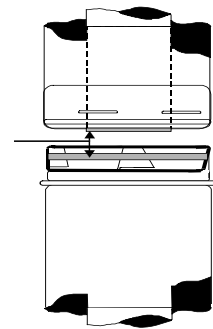
* Typical installations do not require the optional adapter, however, the adapter shown may be used if needed for an atypical install.

A T T E N T I O N

NO OTHER VENTING SYSTEM OR COMPONENTS MAY BE USED. Follow manufacturer instructions for installation of termination.
The listed chimney vent systems use a twist lock connection. Assemble the vent system using the desired combination of sections and elbows for your installation. Make sure you fully insert and twist the mating sections all the way to make a solid connection.
Install as per manufactures instructions

If for any reason the vent pipe is disconnected it must be correctly resealed

Fig 14-A



VENTING

Clearance to combustibles

The following clearances must be maintained around the vent pipe:

- Vertical runs: 1"
- Horizontal runs: 2" on top, 1" sides and bottom

IMPORTANT: This appliance venting system is a sealed system (DV), which means that all combustion air is supplied from outdoors and the combustion products are exhausted to the outdoors.

Note: Only venting systems listed in this manual may be used with the model 57-DVRS50

Planning your vent installation

This type of direct vent system may terminate in one of two ways: vertical termination using a vent cap, or horizontally using a wall termination. There are limitations to the vertical and/or horizontal lengths (see page 18 for venting chart).

When calculating the length of the vent pipe from the outlet of the appliance to termination, allowing for ceiling thickness, the vertical rise in the attic or second story and sufficient vertical height above the roof. Fire stops are required at each floor level the vent passes through.

Installation Instructions Cont.

Horizontal Wall Vent Terminations

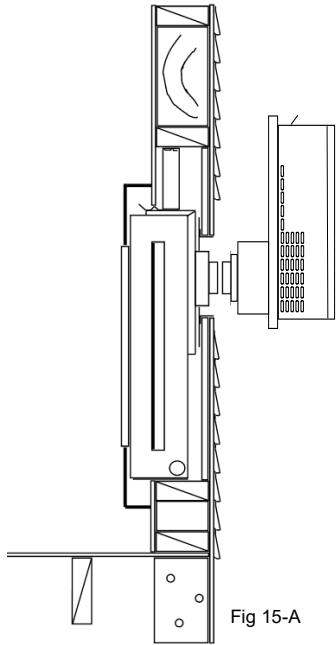


Fig 15-A

Standard Installation:
Built in to exterior wall
999-DV-HTCL termination

The position of the horizontal vent termination must be positioned in such a way as to meet all local building codes.

Cut and frame the exterior wall to accept the Wall Thimble. Install the Wall Thimble shield using wood screws. If the wall being penetrated is constructed of non-combustible material concrete or block wall a 8" hole sufficient for the vent pipe is acceptable.

Venting terminals must not be recessed into wall or siding

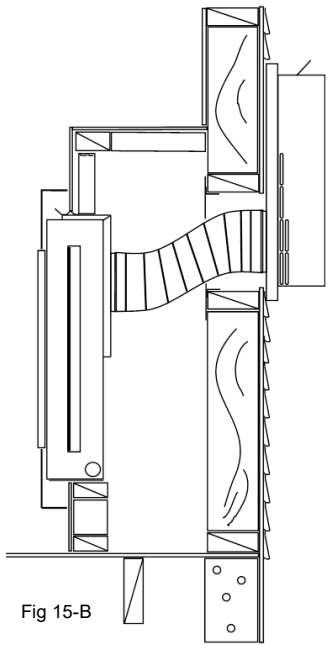
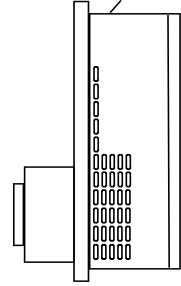


Fig 15-B

Build-in to room Installation:
Requires the
999-DV-8HTCLT termination

Standard Termination



N O T E

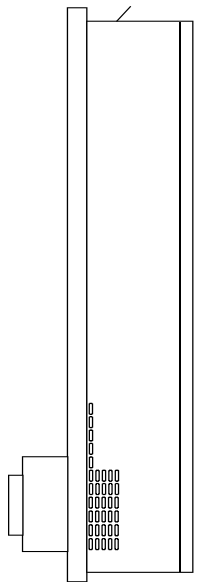
ALLOWING THE VENT PIPE TO SLOPE DOWN TOWARDS THE VENT TERMINATION WILL CAUSE POOR COMBUSTION AND/OR HIGH TEMPERTURES THAT MAY PRESENT A FIRE HAZARD.
WHEN HORIZONTAL VENTING RISE IS REQUIRED SEE VENTING CHART FOR ACCEPTABLE VENTING CONFIGURATIONS

When the termination is to be attached to vinyl siding apply a bead of non-hardening mastic around the outside edge to form a seal between the standoff and the terminal. Attach the termination to the exterior wall using four wood screws through the holes in the corners. Complete the termination installation and apply a bead of mastic around the outer edge of the vinyl standoff.

With the termination installed you can now connect the completed vent assembly by sliding the unit back towards the wall and carefully inserting the pipe into the terminal.

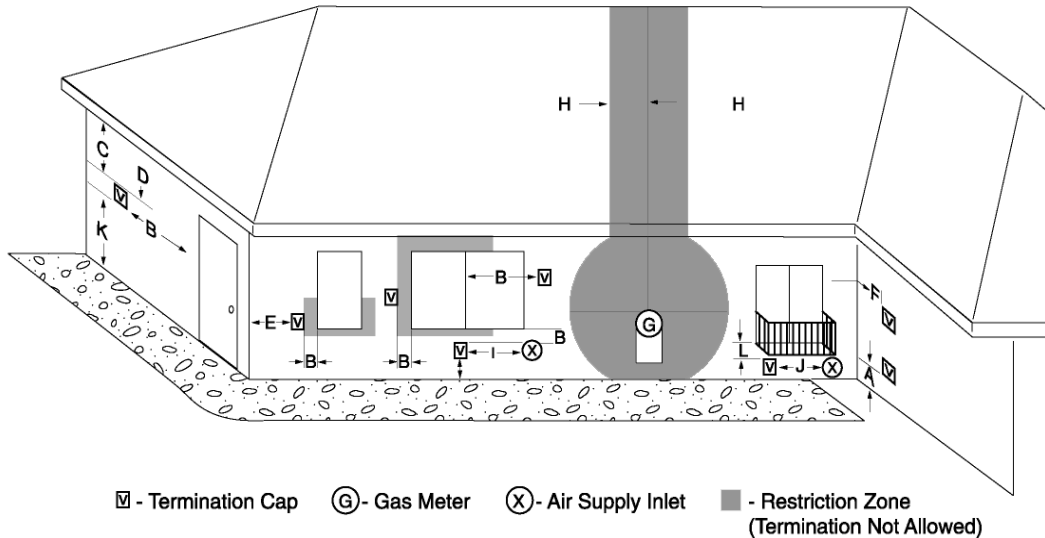
Slide the pipe into the vent, making sure that at least 1¼" overlap between the pipe and the termination.

Tall Termination



Installation Instructions Cont.

Figure 22 – Vent Termination Locations



Horizontal Installation

The horizontal run must have a 1/4" rise on an exterior wall and must meet all local and national building codes, and must not be easily blocked or obstructed. Termination clearances are as follows (see Figure 16):

- | | |
|--|---|
| <p>A. Clearance above ground, verandah, porch, deck, or balcony: 12" minimum (30 cm.)</p> <p>B. Clearance to a window or door that may be opened: 9" minimum (23 cm)</p> <p>C. Vertical clearance to a ventilated soffit located above the termination within a horizontal distance of 2 feet from the centerline of the termination: 18" minimum (46 cm). Note: Clearances are to be in accordance with local installation codes and the requirements of the gas supplier.</p> <p>D. Clearance to an unventilated soffit: 18" minimum (45 cm). Note: Clearances are to be in accordance with local installation codes and the requirements of the gas supplier.</p> <p>E. Clearance to an outside corner: 12" (30 cm). Note: Clearances are to be in accordance with local installation codes and the requirements of the gas supplier.</p> <p>F. Clearance to an inside corner: 12" (30 cm). Note: Clearances are to be in accordance with local installation codes and the requirements of the gas supplier.</p> <p>G. Do not install above a meter/regulator assembly within 3 feet (90 cm) horizontally from the centerline of the meter/</p> | <p>regulator. Note: Clearances are to be in accordance with local installation codes and the requirements of the gas supplier.</p> <p>H. Clearance to a service regulator vent outlet: 6' minimum (1.8 m)</p> <p>I. Clearance to a non-mechanical air supply inlet to a building or the combustion air inlet to any other appliance: 12" minimum (30 cm)</p> <p>J. Clearance to a mechanical air supply inlet: 6' minimum (1.8 m)</p> <p>K. Clearance above paved sidewalk or paved driveway located on public property: refer to local code</p> <p>L. Clearance under open verandah, porch, deck, or balcony: 12" minimum (30 cm). Note: Clearances are to be in accordance with local installation codes and the requirements of the gas supplier.</p> <p>M. Maximum horizontal run 5' after 2' vertical rise. Liquid Propane gas 5' horizontal run to 35' vertical rise. Natural Gas maximum 35' horizontal run with 7' vertical rise. Note: Clearances are to be in accordance with local installation codes and the requirements of the gas supplier.</p> |
|--|---|

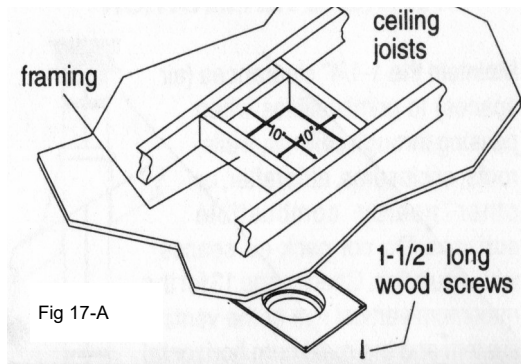
Installation Instructions Cont.

Always maintain a 1" clearance around the vent pipe (vertical) and on horizontal venting 2" clearance on the top of the vent, when passing through ceilings, walls, roofs, enclosures, attic rafters or any combustible surfaces.

DO NOT PACK AIR SPACES WITH INSULATION.

Refer to the vent chart on page 18 for maximum allowable vertical and horizontal allowable installations. When planning your installation, determine if ceiling joists, roof rafters or other framing will obstruct the vent system. You may have to use 45° elbows to navigate around any obstacles. When passing through a flat ceiling, install a Box/Wall thimble. Cut a 10" square hole and frame as shown in the diagram opposite. Ensure all pipe sections are fully twist locked.

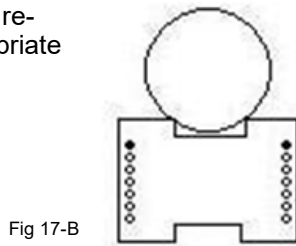
Through Roof / Floor Framing



Use a suitable round or square support through the roof as supplied by the vent manufacturer.

NOTE: ALWAYS CHECK YOUR LOCAL CODES BEFORE INSTALLING VENTING. CLEARANCES, ETC, MAY VARY FROM STATE TO STATE(PROVINCE TO PROVINCE).

Adjust restrictor as required using appropriate hole position

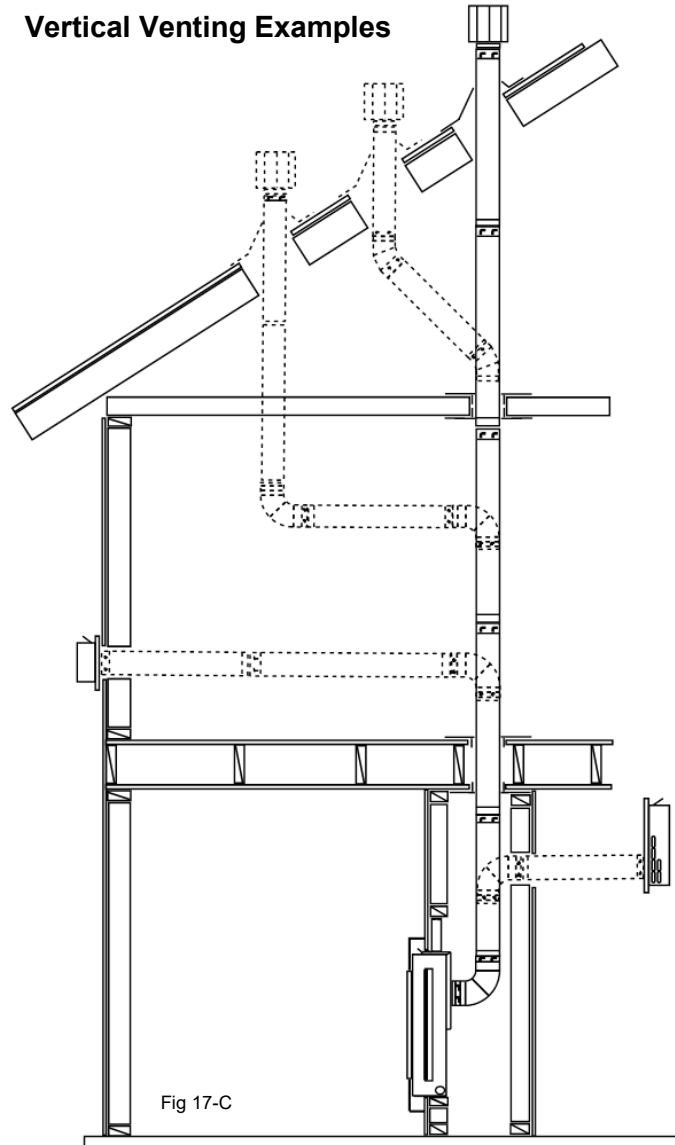


Vent Restrictors

Due to the extra flow produced by tall venting configurations the vent restrictors must be adjusted to maintain performance. The vent restrictor is designed into the appliance firebox.

When required, adjust the restrictor inside the unit firebox. Release the screws and adjust the restrictor position according to the venting charts.

Vertical Venting Examples



Installation Instructions Cont.

Venting Chart

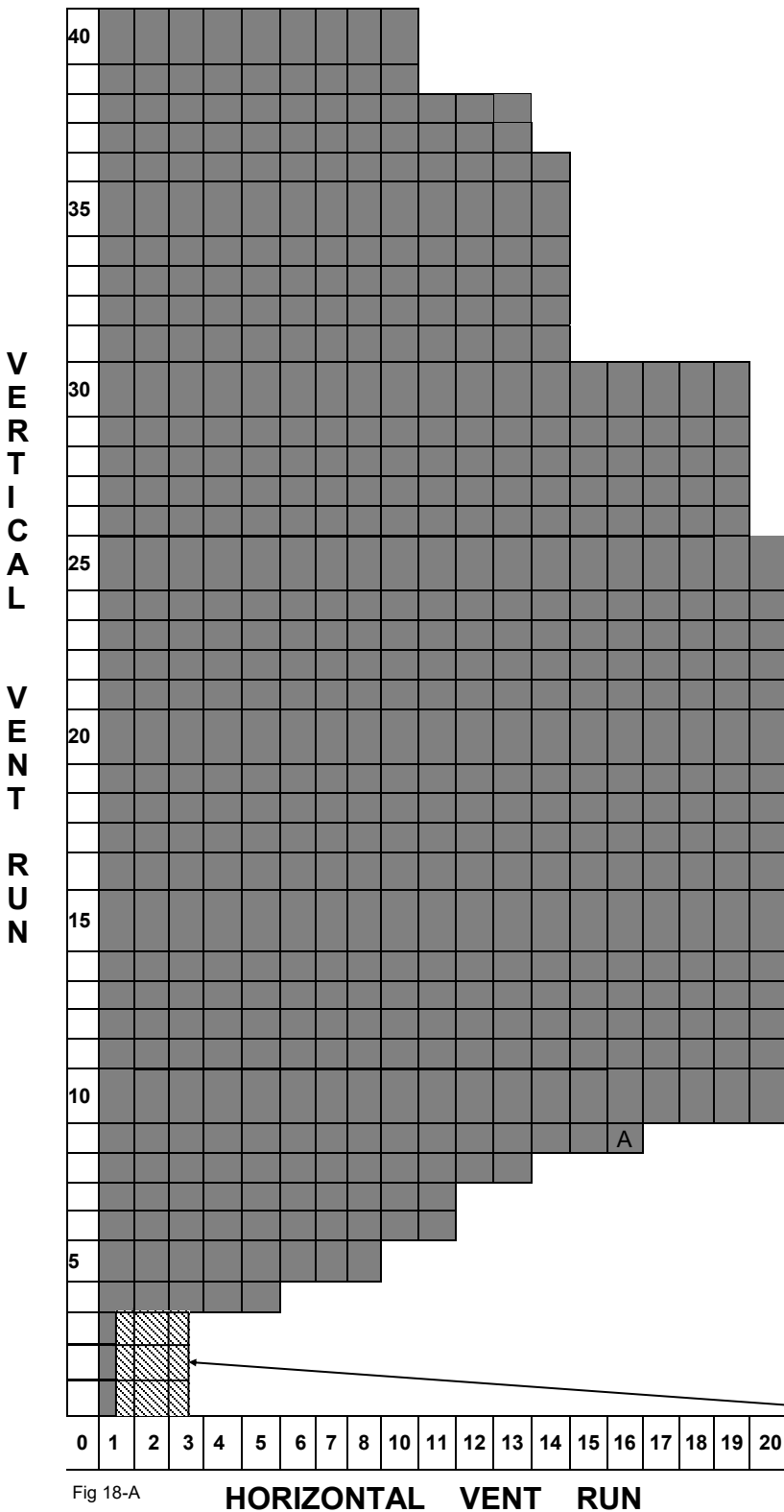


Fig 18-A

Maximum Total Venting Length

Maximum total venting allowed is 50ft. This would be when configured for 40ft vertical with 10ft horizontal.

Maximum vertical vent is 40ft.
Maximum horizontal vent is 20ft.
Minimum 10ft vertical vent rise required for maximum 20ft horizontal vent run.

See chart for allowable vent runs.

Maximum horizontal elbows allowed - 3

Note: if more than 1 90° elbow is used horizontally the maximum horizontal is reduced by 1ft.

Example:
If to reach the desired termination at point 'A' you use 2 90° elbows, you would be required to reduce the maximum horizontal from 16' to 15'.

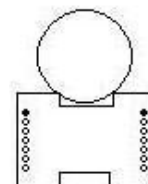
If 3 90° elbows were used to reach point 'A', the maximum horizontal would be reduced from 16' to 14'.

Restrictor

Note: The model 57 DVRS50 is supplied with an adjustable restrictor. The restrictor is not required for most installs. However if the flame is considered too lively, the restrictor may be installed and adjusted to provide the required flame picture.

Example: Using rigid pipe over 40' may require restriction.

Fig 18-B



6" - 32" Horizontal available with the use of the 999-DV-8HTCLT termination.

GAS CONNECTIONS

Before connecting the appliance to the gas supply line, double check that the appliance you have purchased is designed for the gas type you are using. The gas type markings are located on the certification label and also on the appliance's gas valve.

Adequate clearance for proper installation and checking of the gas connections must be provided. **All gas connections must be checked for gas leaks.**

Have your gas supplier or a qualified gas fitter run a gas supply line into the fireplace. The line must be properly sized and fitted according to the installation codes. Immediately upstream of the supply connection, the fitter shall provide an accessible manual shut-off valve. When connecting the supply line to the gas valve, the installer shall brace the gas valve to ensure that the gas valve is not moved from its bracket. If the valve is not braced when the supply line is connected, the valve may be moved and cause a "break" in the main burner supply line. Such damage is not covered by the manufacturer's warranty.

CAUTION: The appliance must be isolated from the gas supply piping system by closing its individual manual shutoff valve during any pressure-testing of the gas supply piping system at test pressures equal to or less than 1/2 psig (3.5 kPa). Failure to do so will damage the appliance's gas valve. Such damage is not covered by the manufacturer's warranty.

Natural Gas Pressure Settings:

The inlet supply or line pressure must be a minimum of 5" W.C. (1.2 kPa) and a maximum of 14" W.C. (3.5 kPa). The orifices are a #35 DMS (2.73 mm) drill size for the center burner and #48 DMS (1.93 mm) for the two outer burners.

<u>ELEVATION</u>	<u>INPUT RATING</u>
0-2,000 ft (0-610 M)	50,000 BTU/hr (14.7 kW)
2,000 ft (610 M) and above.	50,000 BTU/hr (14.7 kW) less 4% per 1000 ft. (305 M)

Please contact your local distributor for the appropriate orifice size you require.

Propane Pressure Settings:

The inlet supply or line pressure must be a minimum of 11" W.C. (2.8 kPa) and a maximum of 14" W.C. (3.5 kPa). The orifices are a #53 DMS (1.63 mm) drill size for the center burner and #58 DMS (1.09mm) for the two outer burners .

<u>ELEVATION</u>	<u>INPUT RATING</u>
0-2,000 ft. (0-610 M)	50,000 BTU/hr (14.7 kW)
2,000 ft. (610 M) and above.	50,000 BTU/hr (14.7 kW) less 4% per 1000 ft. (305 M)

Please contact your local distributor for the appropriate orifice size you require.

NOTE: *THE INPUT RATING SHOULD ALWAYS BE CHECKED WHEN FIRST RUNNING THIS APPLIANCE. To do this, reduce the background flow rate, time the meter, light the fireplace and take another reading after 15 minutes of operation. Check with your gas supplier for the gas BTU content at your elevation. Input is the rate of flow multiplied by the heating value of the gas (cubic feet/hour x BTU per cubic feet). Adjust the manifold pressure so that the unit does not operate above the rated input.*

IMPORTANT: For high altitude installations above 2000 ft (610 meters), consult local gas distributor or the authority having jurisdiction for proper de-rating methods.

Rear Panel Installation Instructions

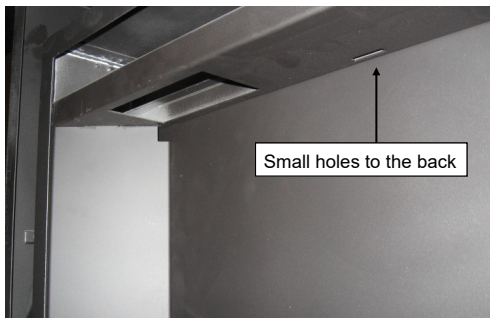
1. Hang the left and right side back panel onto the bracket in the back of the firebox. Align with the far outside edge of the bracket.
2. Hang the center back panel onto the bracket and slide the two outside panels in until they touch the center panel.



Side Panel & Baffle Installation Instructions



Set the right and left side panels by inserting the tabs into the slot of the support plate. Panel s should angle into the firebox (as shown)



Small holes to the back

Set the baffle on top of the side panel so the slot in the baffle sets over the tab on the side panel.

The side panels are secured thru the side of the firebox



Glass Bead Installation

Install the glass beads directly onto the burner so they are one layer deep and cover the entire burner pan. Do not use other media that is not approved by Archgard.

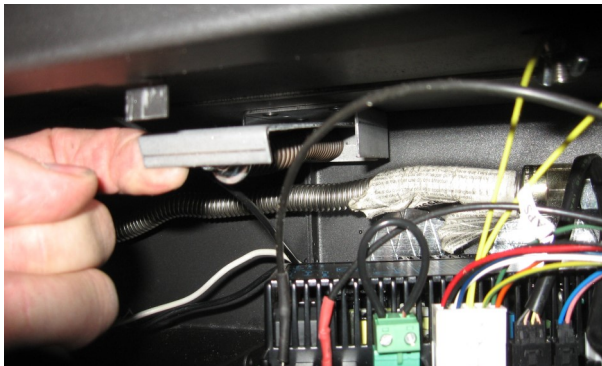


Door Installation

Install the top of the door so the slots in the door go over the tabs on the spring clips as shown to the right. Swing door down making sure it sits on top of the unit.

CAUTION: Only doors certified with the appliance shall be used. Do not use substitute glazing materials.

Beware the glass does not drop out!!



Pull the bottom spring clip out and over the tabs on the bottom of the door and release as shown below.

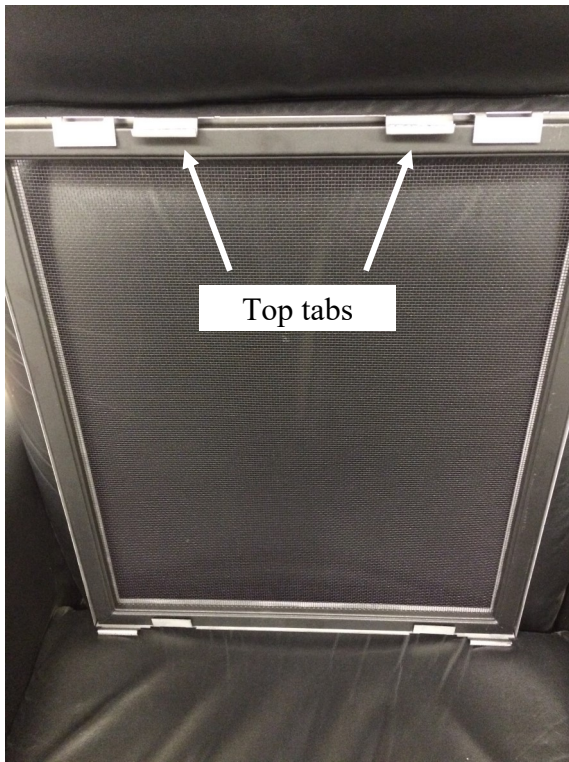
NOTE: Do not remove any components while the appliance is hot.

In the event your glass cracks or breaks, replace the original door assembly with Archgard replacement door assembly (part number 57-DB).

- Remove the barrier screen (See **Section 14.0**)
- Remove door as per the instructions above
- Replace with new door assembly and barrier screen

NOTE: the NEW door will emit some odor when the appliance is lit. The odor will dissipate after the gasket material within the door has cured. Be sure there are no fingerprints left on the glass panels as high temperatures can bake these prints on permanently.

Barrier Screen Installation



- Mounting tabs closer together located at the top of the screen
- Mounting tabs located on the corners at the bottom of the screen.



- Slightly twist top part of screen frame to position top mounting tabs inside upper edge of door frame



If barrier becomes damaged, the barrier shall be replaced with the manufacturer's barrier for this appliance (Part Number: 57-BS)

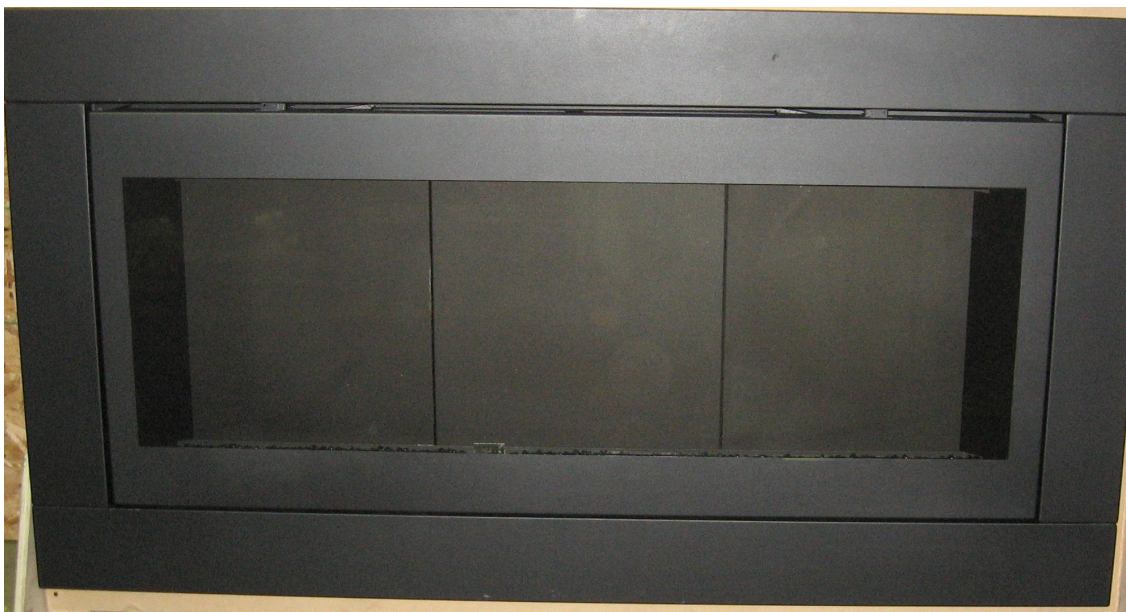
Surround Clip Installation

Install the four surround retaining clips so they are pushed back against the facing. Secure in place with the screws provided. See right



Surround Installation

The surround is held in place by clips buttons (two at the top, two at the bottom). Line up the clips with the fireplace and push until it locks in. You can adjust the surround by moving the brackets in and out on the fireplace

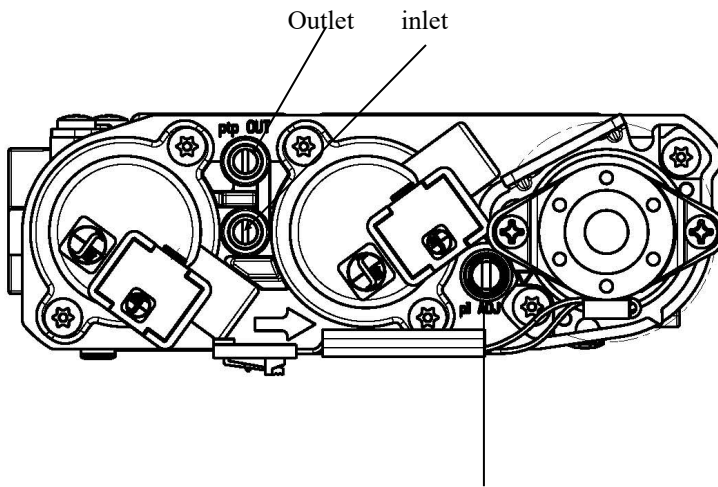


NOTE: Do not remove any components while the appliance is hot.

CHECKING INLET AND OUTLET GAS PRESSURE

1. Remove the surround.
2. The pressure test taps are located on the valve. The taps are located in the gas valve front face. The inlet is marked 'IN' and the outlet is marked 'OUT'.
3. Loosen the set screw inside the tap with a screwdriver.
4. Connect a 1/4" (6 mm) rubber tube to the tap post and a manometer.
5. Verify that the readings obtained are within specs (as shown on the appliance rating plate)
6. Be sure to tighten the set screw inside the tap after you have completed taking pressure readings.
7. Check for leaks.

Figure 18



The flame should not have yellow tips but should engulf the sensor. It can be adjusted by turning the screw marked "pilot" on the control valve.

Figure 19

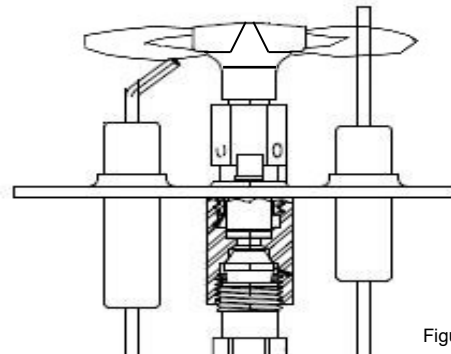
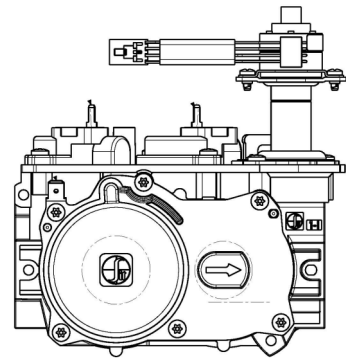


Figure 20

CHECKING AND ADJUSTING MAIN BURNER



The main burner flame should be about 1/3 height of the viewing area and be strong without wispy or ghosting tips.

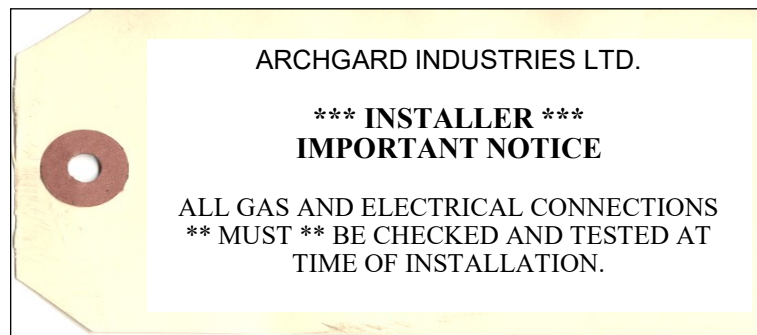
FINAL INSTALLATION CHECK

Each Brigantia Gas Fireplace is checked and tested at the factory prior to being packaged and shipped to our dealers and finally installed in your home. Archgard recommends that before leaving this unit with the customer, the installer must ensure that the appliance is firing correctly and that the electrical system is in working order. **This will include:**

1. Perform leak tests of supply line, gas control valve, supply line from gas control valve and pilot assembly.
2. Clocking the appliance to ensure the correct firing rate (see page 5 of this manual).
3. If required, adjusting the primary air to burner to ensure that the flame does not carbon or soot.
4. Check for proper operation including correct drafting.

As a reminder, a TAG is attached to all of our gas fireplaces. This TAG is located at the gas control valve. See Fig 21

Figure 21



Any alteration to the product that causes carboning or sooting that results in any damage or requires cleaning is not the responsibility of the manufacturer.

INITIAL OPERATION

1. Check that the appliance is properly vented and connected to the gas supply.
2. Check that all external parts, such as door and faceplate are properly attached and fastened.
3. Do not operate this appliance with broken, cracked glass doors or without the door (s) in its correct (and latched) position. Do not abuse the glass by either striking or slamming shut.
4. Check that there are no fingerprints left on glass panels, as high temperature can bake these prints on permanently.

LIGHTING INSTRUCTIONS ON RATING PLATE

FOR YOUR SAFETY READ BEFORE LIGHTING POUR VOTRE SÉCURITÉ VEUILLEZ LIRE AVANT L'ALLUMAGE

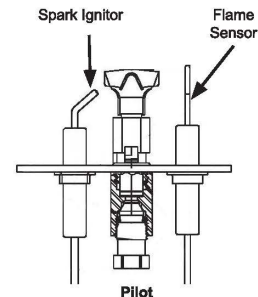
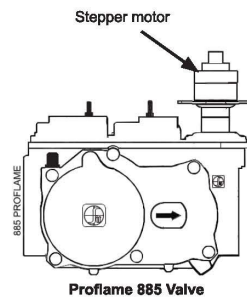
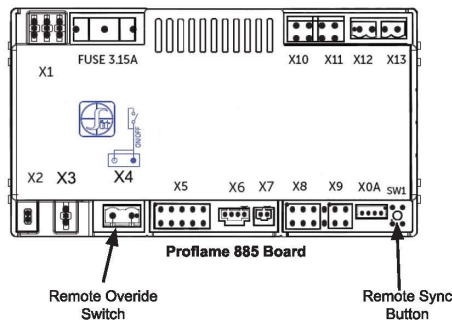
WARNING: If you do not follow these instructions exactly, a fire of explosion may result causing property damage, personal injury or loss of life.

AVERTISSEMENT: Quiconque ne respecte pas à la lettre les instructions dans la présente notice risque de déclencher un incendie ou une explosion entraînant des dommages, des blessures ou la mort.

- A. This appliance has a pilot which must be lighted by a spark ignitor. When lighting the pilot follow these instructions exactly.
- B. BEFORE OPERATING smell all around the appliance area for gas. Be sure to smell next to the floor because some gas is heavier than air and will settle on the floor.
- WHAT TO DO IF YOU SMELL GAS**
- Do not try to light any appliance.
 - Do not touch any electrical switch; do not use any phone in your building.
 - Immediately call your gas supplier from a neighbor's phone. Follow the gas supplier's instructions
 - If you cannot reach your gas supplier, call the fire department.
- C. Do not use this appliance if any part has been under water. Immediately call a qualified service technician to inspect the appliance and to replace any part of the control system and any gas control which has been under water.
- A. Cet appareil est muni d'une veilleuse qui doit être allumée manuellement. Respectez les instructions ci-dessous à la lettre.
- B. AVANT D'ALLUMER la veilleuse, renifllez tout autour de l'appareil pour déceler une odeur de gaz. Renifllez près du plancher, car certains gaz sont plus lourds que l'air et peuvent s'accumuler au niveau du sol.
- QUE FAIRE SI VOUS SENTEZ UNE ODEUR DE GAZ:**
- Ne pas tenter d'allumer d'appareil
 - Ne touchez à aucun interrupteur; ne pas vous servir des téléphones se trouvant dans le bâtiment
 - Appelez immédiatement votre fournisseur de gaz depuis un voisin. Suivez les instructions du fournisseur.
 - Si vous ne pouvez rejoindre le fournisseur, appelez le service des incendies.
- C. N'utilisez pas cet appareil s'il a été plongé dans l'eau, même partiellement. Faites inspecter l'appareil par un technicien qualifié et remplacez toute partie du système de contrôle et toute commande qui ont été longés dans l'eau.

LIGHTING INSTRUCTIONS INSTRUCTION D'ALLUMAGE

1. STOP! Read the safety information above on this label. This appliance is equipped with an ignition device which automatically lights the pilot. Do not try to light the pilot by hand.
 2. Set the remote control switch to "OFF".
 3. Open the lower louvers or remove trim.
 4. Turn off all electric power to the appliance.
 5. Open the gas isolation valve.
 6. Wait 5 minutes to clear out any gas. Then smell for gas, including near the floor. If you smell gas, STOP! and follow "B" in the safety information above (and to the left) on this label. If you do not smell gas, go to the next step.
 7. Turn on all electric power to the appliance.
 8. Set the remote control switch to "ON".
 9. If the fireplace does not light, the system will cycle through two trials (one minute of audible clicking, thirty seconds of silence, and then another one minute of audible clicking). If the system locks out due to inadequate gas flow, refer to troubleshooting in instruction manual.
 10. If the system will not function correctly, follow the instructions "To turn Off Gas To Appliance" below and call your service technician or gas supplier.
 11. Replace louver or trim.
1. ARRÊTEZ! Lisez les instructions de sécurité sur la portion supérieure (à droite) de cette étiquette.
 2. Réglez le commutateur à distance sur "OFF".
 3. Ouvrez persiennes inférieurs ou garnir.
 4. Coupez l'alimentation électrique de l'appareil.
 5. Vanne d'isolement de gaz ouverte.
 6. Attendez cinq (5) minutes pour laisser échapper tout le gaz. Renifllez tout autour de l'appareil, y compris près du plancher, pour déceler un odeur de gaz. Si vous sentez une odeur de gaz, ARRÊTEZ! Passez à l'étape B des instructions de sécurité sur la portion supérieure (à gauche) de cette étiquette. S'il n'y a pas d'odeur de gaz, passez à l'étape suivante.
 7. Réglez le commutateur à distance sur "ON".
 8. Allumez l'alimentation électrique de l'appareil.
 9. Si le foyer ne se allume pas, le cycle de la volonté du système grâce à deux essais (une minute de clic audible, trente secondes de silence, et puis un autre une minute de clic audible). Si le système se bloque en raison de l'écoulement de gaz insuffisante, voir le dépannage dans le manuel d'instruction.
 10. Si le système ne fonctionne pas correctement, suivez les instructions «Pour couper le gaz de l'appareil» ci-dessous et appelez votre technicien d'entretien ou fournisseur de gaz.
 11. Persienne fermée ou garnir.



TO TURN OFF GAS TO APPLIANCE POUR COUPER LE GAZ À L'APPAREIL

1. Set the remote control switch to "OFF".
 2. Turn off all electric power to the appliance if service is to be performed.
 3. Open louver or access panel.
 4. Turn incoming gas isolation valve to "OFF" position.
 5. Close louver or trim.
1. Réglez le commutateur à distance sur "OFF".
 2. Coupez l'alimentation électrique de l'appareil s'il faut procéder à l'entretien.
 3. Ouvrez persiennes inférieurs ou porte d'accès.
 4. vanne d'isolement de gaz à proximité
 5. Persienne fermée ou garnir.

FIRST FIRE

When operated for the first few times, the appliance will emit some odor and fumes. This is due to the heat from the appliance evaporating the oils and solvents used in fabricating the appliance. Close off the room to the rest of the house and open all windows. Keep the room well ventilated, as smoke alarm may sound. Run the appliance for at least 6 hours at maximum setting to allow paint to cure. Smoke and fumes caused by the curing process may cause discomfort to some individuals.

LIGHTING INSTRUCTIONS - CAUTION

WARNING : If you do not follow these instructions exactly, a fire or explosion may result causing property damage, personal injury or loss of life. Do not operate the appliance with the glass front removed, cracked or broken. Replacement of broken glass should be done by a licensed or qualified service person.

WARNING : This appliance needs fresh air for safe operation and must be installed so there are provisions for adequate combustion and ventilation air.

Do not store or use gasoline or other flammable vapors and liquids in the vicinity of this or any other appliance.

WHAT TO DO IF YOU SMELL GAS:

- * Do not try to light any appliance.
- * Do not touch any electrical switch; do not use any phone in your building.
- * Immediately call your gas supplier from a neighbor's phone. Follow the gas supplier's instructions.
- * If you cannot reach your gas supplier, call the fire department.

Installation and service must be performed by a qualified installer, service agency or the gas supplier.

1. **BEFORE LIGHTING**, smell all around the appliance area for gas. Be sure to smell next to the floor, because some gasses are heavier than air and will settle on the floor.
2. **IF YOU SMELL GAS**, follow the instructions as listed directly above or as shown on the front cover of this manual.
3. Do not use this appliance if any part has been under water. Immediately call a qualified service technician to inspect the appliance and to replace any part of the control system and any gas control which has been under water.
4. This appliance is equipped with an ignition device which automatically lights the pilot and main burner. The pilot and burner light automatically with the hand held remote or with the switch on the side of the surround if it is activated.

REMOTE CONTROL SETUP AND OPERATION

IMPORTANT

The Proflame Transmitter 2 is an integrated part of the Proflame 2 System, which consists of these elements:

- Proflame 2 Transmitter, to be used in conjunction with:
- Integrated Fireplaces Control (Proflame 2 IFC)

The Proflame 2 Transmitter provides for controlling the following hearth appliance functions:

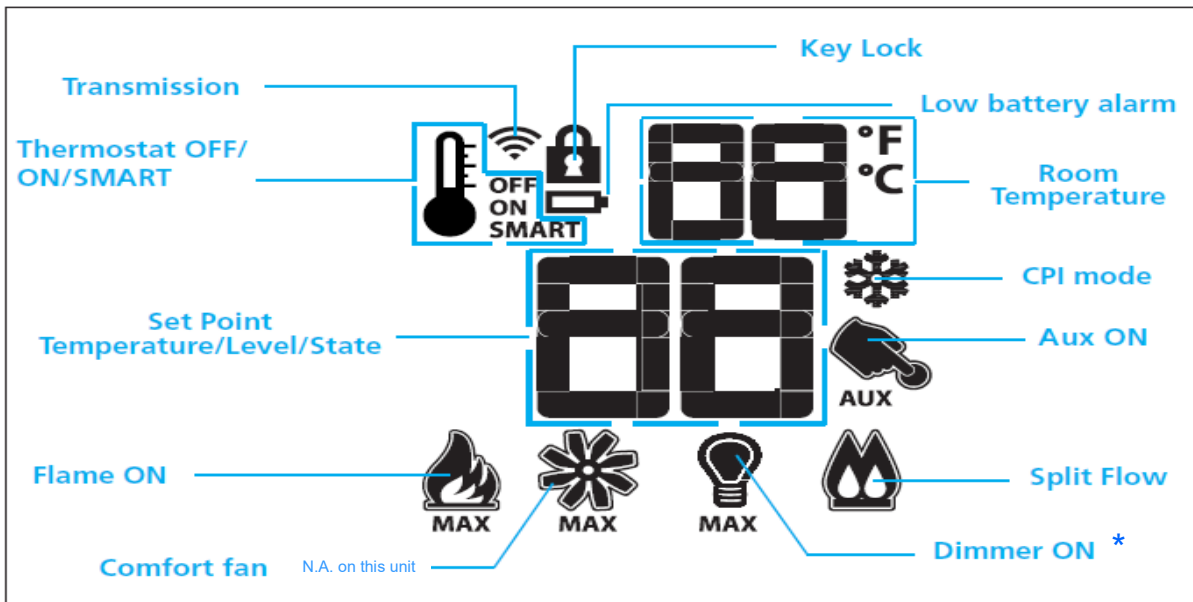
1. Main Burner On/Off
2. Main Burner flame modulation (6 levels)
3. Choice of standing or intermittent pilot (CPI/IPI)
4. Thermostat and Smart thermostat functions
5. Accent light modulation (6 levels) (future option)
6. Split flow valve
7. On/Off relay

The Proflame Transmitter uses a streamline design with a simple button layout and informative LCD display

A Mode Key is provided to index between the features and a Thermostat Key is used to turn on/off or index through Thermostat functions



REMOTE CONTROL SETUP AND OPERATION, cont.



: Transmittter LCD display.

* Future Option

TECHNICAL DATA

Remote Control	
Supply voltage	4.5 V (three 1.5 V AAA batteries)
Ambient temperature ratings	0 - 50 °C (32 - 122 °F)
Radio frequency	315 MHz

WARNING

THE TRANSMITTER AND RECEIVER ARE RADIO FREQUENCY DEVICES. PLACING THE RECEIVER IN OR NEAR METAL MAY SEVERELY REDUCE THE SIGNAL RANGE.

ATTENTION!

- TURN "OFF" THE MAIN GAS SUPPLY OF THE APPLIANCE DURING INSTALLATION OR MAINTENANCE OF THE RECEIVER DEVICE.
- TURN "OFF" MAIN GAS SUPPLY TO THE APPLIANCE PRIOR TO REMOVING OR REINSERTING THE BATTERIES.
- IN CASE OF REMOTE CONTROL MALFUNCTION TURN OFF THE IFC DEVICE USING THE "ON/OFF" MAIN SWITCH.
- FOR INSTALLATION/MAINTENANCE SWITCH OFF THE IFC DEVICE REMOVING MAIN POWER SUPPLY PLUG.

REMOTE CONTROL SETUP AND OPERATION, cont.

OPERATING PROCEDURE

Initializing the System for the first time

Power the receiver. Activate the procedure of the receiver address programming, see the receiver instruction (*). The Receiver will “beep” three (3) times to indicate that it is ready to synchronize with a Transmitter. Install the 3 AAA type batteries in the Transmitter battery bay, located on the base of the Transmitter. (fig. 3) With the batteries already installed in the Transmitter, push the On button. The Receiver will “beep” four times to indicate the Transmitter’s command is accepted and sets to the particular code of that Transmitter. The system is now initialized.

(*) The receiver may be independent or integral to the IFC hearth appliance control module. The receiver instruction may not be independent when part of the IFC.



Battery compartment.

Temperature indication Display

With the system in the “OFF” position, press the Thermostat Key and the Mode Key at the same time. Look at the LCD screen on the Transmitter to verify that a C or F is visible to the right of the Room Temperature display.



Remote Control display in Farenheit.



Remote Control display in Celsius.

Turn on the Appliance

With the system OFF, press the ON/OFF Key on the Transmitter. The Transmitter display will show some other active Icons on the screen. At the same time the Receiver wil activate the appliance. A single “beep” from the Receiver will confirm reception of the command.

Turn off the Appliance

With the system ON, press the ON/OFF Key on the Transmitter. The Transmitter LCD display will only show the room temperature At the same time the Receiver will turn off the appliance. A single “beep” from the Receiver confirms reception of the command.



Remote Control display.

REMOTE CONTROL SETUP AND OPERATION, cont.

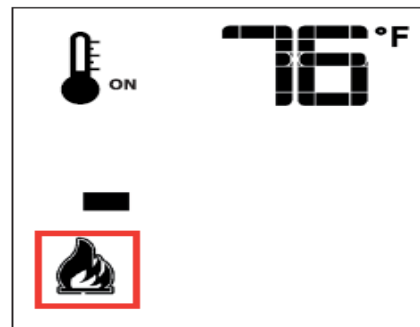
Remote-Flame Control

The proflame has six (6) flame levels. With the system on, and the flame level at the maximum in the appliance, pressing the Down Arrow Key once will reduce the flame height by one step until the flame is turned off.

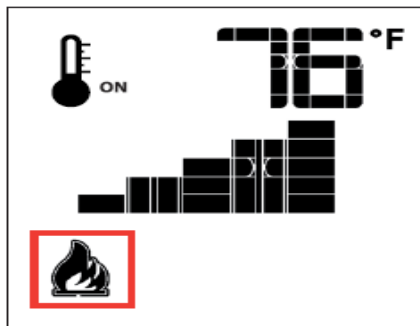
The Up Arrow Key will increase the flame height each time it is pressed. If the Up Arrow Key is pressed while the system is on but the flame is off, the flame will come on in the high position. A single "beep" will confirm reception of the command.



Flame Off



Flame Level 1



Flame level 5

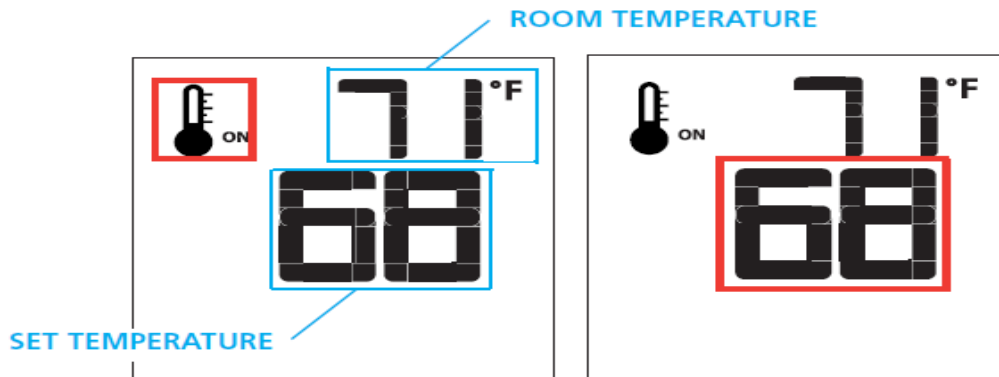


Flame Level Maximum

Room Thermostat (Transmitter Operation)

The Remote Control can operate as a room thermostat. The thermostat can be set to a desired temperature to control the comfort level in a room.

To activate this function, press the Thermostat Key (Fig. 1). The LCD display on the Transmitter will change to show that the room thermostat is "ON" and the set temperature is now displayed. To adjust the set temperature, press the Up or Down Arrow Keys until the desired set temperature is displayed on the LCD screen of the Transmitter.



REMOTE CONTROL SETUP AND OPERATION, cont.

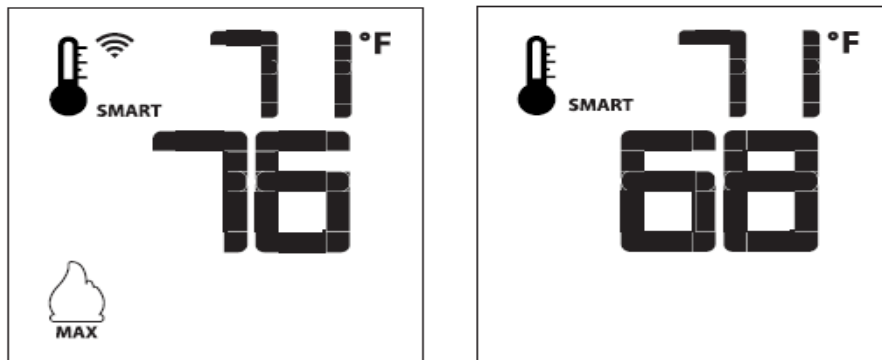
Smart Thermostat (Transmitter Operation)

The Smart Thermostat function adjusts the flame height in accordance to the difference between the set point temperature and the actual room temperatures. As the room temperature gets closer to the set point the Smart Function will modulate the flame down.

To activate this function, press the Thermostat Key (Fig. 1) until the word "SMART" appears to the right of the temperature bulb graphic (

To adjust the set temperature, press the Up or Down Arrow Keys until the desired set temperature is displayed on the LCD screen of the Transmitter (

Note. When Smart Thermostat is activated, manual flame height adjustment is disabled.

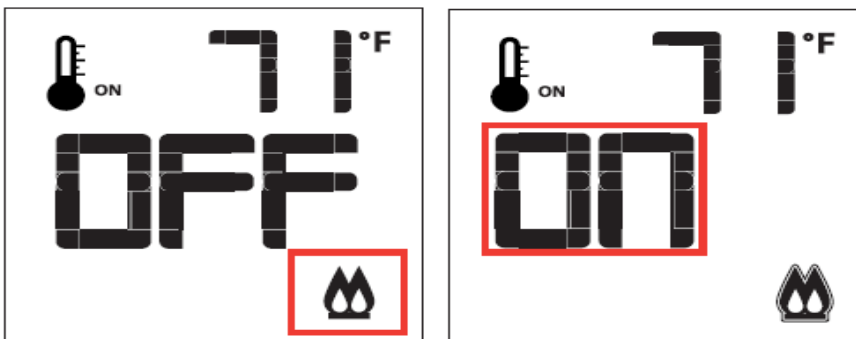


Smart flame function

Split Flow control

The secondary burner is controlled by the split Flow. To activate this function use the Mode Key (fig. 1) to index to the SPLIT FLOW mode icon

Pressing the Up Arrow Key will activate the secondary burner. Pressing the Down Arrow Key will turn the secondary burner off. A single "beep" will confirm the reception of the command.



REMOTE CONTROL SETUP AND OPERATION, cont.

Continuous Pilot/Intermittent Pilot (CPI/IPI) selection

With the system in "OFF" position press the Mode Key (fig. 1) to index to the CPI mode icon

Pressing the Up Arrow Key will activate the Continuous Pilot Ignition mode (CPI). Pressing the Down Arrow Key will return to IPI. A single "beep" will confirm the reception of the command.

NOTE: If the system is equipped with a CPI/IPI toggle switch:

- Set the CPI/IPI switch to CPI position (switch closed) to enable remote CPI/IPI operation.
- Set the CPI/IPI switch to IPI position (switch open) to disable remote CPI/IPI operation. The system will now work in IPI mode only regardless of the selection on the remote control hand set.

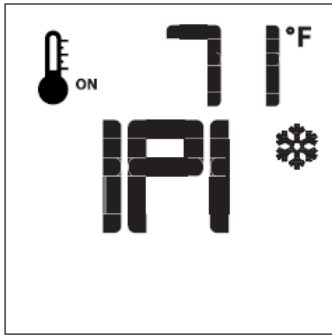


Fig. 21

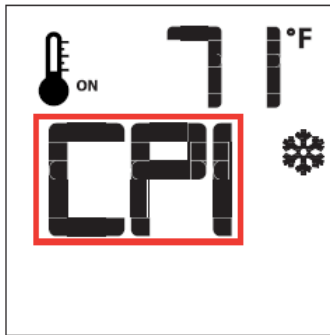
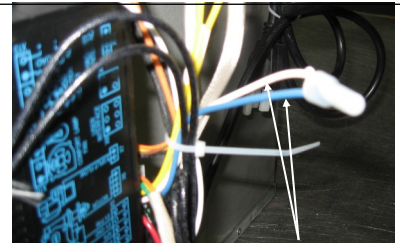


Fig. 22

The unit is shipped from the factory with the ability for IPI/CPI selection active.

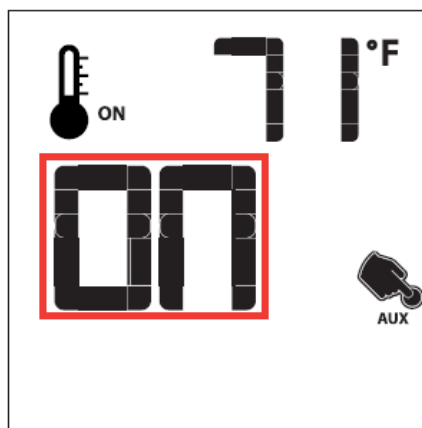
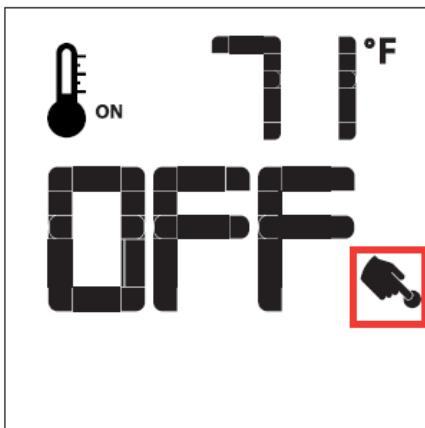


To disable the Continuous Pilot selection ability, cut one of the wires (blue or white) shown in the picture and cap.

Remote auxiliary relay control

The auxiliary function controls the AUX relay outlet. To activate this function use the Mode Key (fig. 1) to index to the AUX icon

Pressing the Up Arrow Key will activate the outlet. Pressing the Down Arrow Key will turn the outlet off. A single "beep" will confirm the reception of the command.



REMOTE CONTROL SETUP AND OPERATION, cont.**KEY LOCK**

This function will lock the keys to avoid unsupervised operation.

To activate this function, press the MODE and UP Keys at the same time

To de-activate this function, press the MODE and UP Keys at the same time.

**LOW BATTERY POWER DETECTION****Transmitter**

The life span of the remote control batteries depends on various factors: quality of the batteries used, the number of ignitions of the appliance, the number of changes to the room thermostat set point, etc.

When the Transmitter batteries are low, a Battery Icon will appear on the LCD display of the Transmitter before all battery power is lost. When the batteries are replaced this Icon will disappear.



CONVERSION KIT INSTRUCTIONS

IMPORTANT: This fireplace is Natural gas ready. If converting to LP gas, follow instructions below

KIT NUMBER: 57-CKNG for NAT GAS

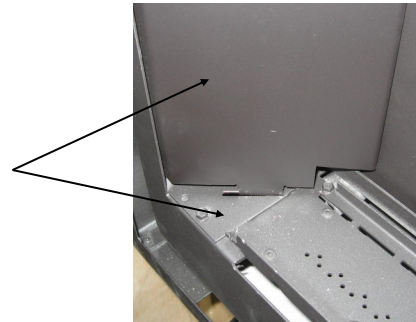
KIT NUMBER: 57-CKLP for LPG

Step # 1 - PREPARATION

Remove outer surround and door. Place to the side to prevent them from being damaged.

Step # 2 - PREPARATION

Remove the angled side panels and upper baffle.
Remove side panel support plates on each side of the fireplace



Step #3 - BURNER REMOVAL

Remove the burner media.

Remove burners by loosening and removing the wing nuts from underneath

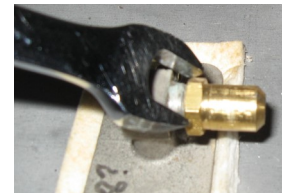
The outer burners are removed by sliding towards the outside of the firebox and lifting out. The center burner slides to the left and lifts out.

Step #4 - ORIFICE CHANGE

This fireplace uses three orifices. The two (2) outside burner orifices and the center burner orifice.

Care must be taken not to install the center orifice in an outside burner position. This will result in an unstable burn pattern that may cause venting and soot problems.

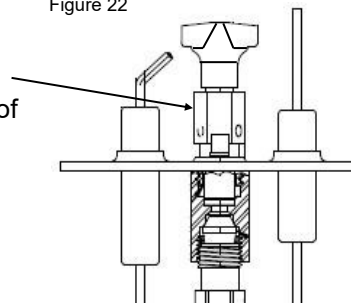
Using a 1/2" wrench remove and replace the existing orifices one at a time. This will help prevent errors with the new orifice installation.



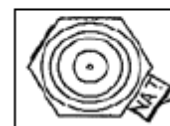
Step #5 - PILOT CONVERSION

Using a 7/16" wrench and loosen the pilot hood 1/4 turn. Slide the tab at the bottom of the orifice hood all the way so the red side (propane) with the hole in it is showing. Tighten the pilot hood back up so that it is lined up with the two probes on both sides of the pilot assembly.

Figure 22



LP has hole and red dot



Natural Gas

Figure 23

**WARNING: SHUT OFF GAS SUPPLY AND ELECTRICAL POWER TO FIREPLACE
SHUT OFF GAS SUPPLY BEFORE DISCONNECTING ELECTRICAL POWER**

CONVERSION KIT INSTRUCTIONS, con't

Step # 7 Valve Conversion

PROFLAME

STEPPER MOTOR Modulating Conversion Kit



WARNING!

The installation of this conversion kit must only be undertaken by a qualified and certified gas appliance installer.

STEPPER MOTOR PRESSURE REGULATOR CONVERSION KIT INSTALLATION OR REPLACEMENT INSTRUCTIONS.

Verify that the following items are present in the package.

- Pressure regulator assembly (E)
- Two (2) screws (F)
- Identification label (G)
- Installation instructions (this document).

- 1 Shut off the gas supply to the valve and shut down the electric supply.
- 2 See Fig. 1. Using a Torx T20, or slotted screwdriver, remove and discard the two (2) pressure regulator mounting screws (A), pressure regulator tower (B), and the spring and diaphragm assembly (C), (If applicable).
- 3 Ensure the rubber gasket (D), which is prefitted as part of assembly (E), is properly positioned, see Fig. 2, otherwise fit the gasket as shown Fig. 2.
- 4 Install the new STEPPER MOTOR pressure regulator assembly, as shown in Fig. 3 and Fig. 4. Use the supplied screws (F), M4 x 0.7 threaded, length of thread $L=(16\text{ mm} + 0 - 0.5\text{ mm})$, steel material, resistance class 8.8 (see Fig. 5).
- 5 Manually thread the two conversion kit mounting screws into the valve body. Use a standard screwdriver or T20 Torx bit and tighten to the screws with a fixing torque of $25\text{lb-in} \pm 5\%$.
IN THE EVENT THAT THE THREADS OF THE VALVE ARE STRIPPED OR DAMAGED, **REPLACE** THE VALVE.
- 6 Install the enclosed identification label (G) to the valve body where it can be easily seen.
- 7 Make STEPPER MOTOR and valve electrical connections, apply gas to system and relight appliance according to manufacturers instructions.
- 8 With the main burner "ON", test the new pressure regulator assembly for leaks using a soap solution.
- 9 Relight the main burner and verify proper burner ignition and operation.

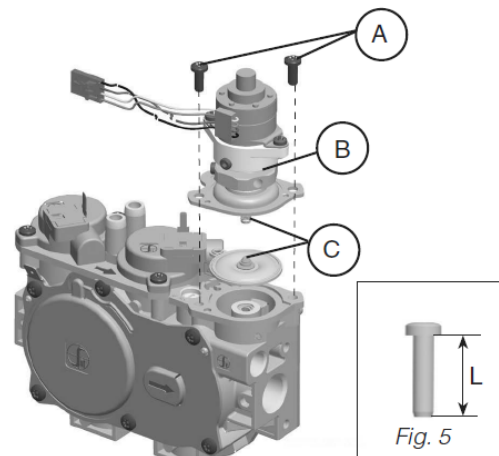


Fig. 1

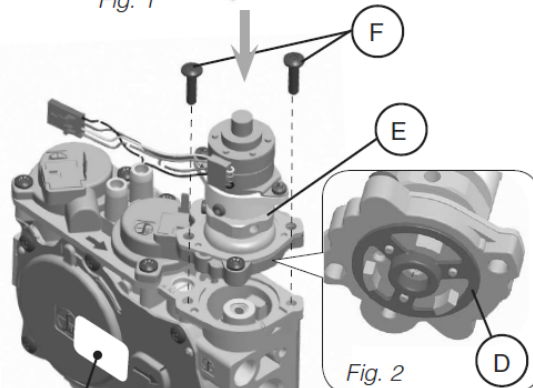


Fig. 2



Fig. 3

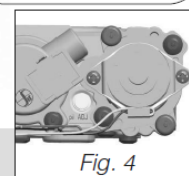


Fig. 4

WARNING!

Installation should be carried out in a clean environment.

WARNING!

This modulating conversion kit must ONLY be applied as part of a conversion kit supplied by the APPLIANCE MANUFACTURER for the specific appliance, and type of gas, being converted.

WARNING!

Correct operation of the system cannot be guaranteed if the conversion kit or valve has been dropped or has sustained a strong impact.

INSTALLER NOTICE. These instructions must be left with appliance.

CONVERSION KIT INSTRUCTIONS, con't

Step # 8 Complete the Conversion

Fill out and attach conversion label to the fireplace near the valve
Change Rating Plate to show new fuel configuration

Reinstall the burners, support plates and baffle by reversing the removal process.
Turn on the gas and electrical supplies.
Check for leaks using approved means
Confirm correct incoming and manifold pressures
Test fire the fireplace to confirm correct operation.

Reinstall door assembly and surround
Run through a complete firing cycle to confirm correct operation

Field Fuel Conversion

This appliance has been converted to _____ gas

By _____

(Name and address of organization making this conversion which accepts the responsibility that this conversion has been properly completed)

Kit # _____ Date ____ / ____ / ____

303-0128

Figure 24

KIT NUMBERS: "57-CKLP" for LP gas and "57-CKNG" for Natural Gas

KIT INCLUDES:

- 1- Gas conversion label (303-0128)
- 1- Center burner orifice (301-0068-53, #53 DMS for LPG) (301-0068-35, #35 DMS for Natural Gas)
- 2 - Side burner orifices (301-0068-58, #58 DMS for LPG) (301-0068-48, #48 DMS for Natural Gas)
- 1- Instruction Sheet
- 1- SIT 885 Valve conversion kit c/w instructions & gas type label (0.907.012)

IMPORTANT: For high altitude installations above 2000 ft (610 meters), consult local gas distributor or the authority having jurisdiction for proper de-rating methods.

MAINTENANCE**CAUTION:**

Do not conduct maintenance on the appliance while it is operating or while it is still hot.

CLEANING THE APPLIANCE

The exterior painted surfaces, glass and plated trims may be cleaned with a soft, non-abrasive cloth and water or a suitable, mild, non-abrasive cleaner.

Regularly:

- Frequent cleaning of the ceramic glass is required. Archgard recommends using a good quality “gas fireplace” glass cleaner that is available at any hearth retail location. **DO NOT CLEAN WHILE HOT.**
- Clean and remove any lint accumulations or debris from the grills and in any combustion and convection air passage ways.
- Keep the appliance area free from combustible materials, such as paper, wood, clothing, gasoline and flammable solids, liquids and vapors.
- Visually check the height and color of the burner and pilot flames.

Every 2 to 3 months:

- Remove the glass door and clean the inside of the glass with a good quality “gas fireplace” glass cleaner. **DO NOT CLEAN WHILE HOT.**

Once a year, have a qualified service technician:

- Ensure the flow of Combustion and Ventilation Air is not obstructed
- Completely inspect the appliance and the venting system, if the vent pipe or seal is found to be defective, replace and or reseal
- Clean and remove any lint accumulations or debris in the firebox, on the burners, on the pilot, at the primary air opening, and in any combustion and convection air passageways.
- Check the safety system of the gas valve and the appliance.

WARNING: All parts removed or disturbed, including guards and grills, must be properly replaced after maintenance. Service and repair must be conducted by a qualified service person. Verify proper operation after servicing. If these instructions are not followed, a fire or explosion may result, causing property damage, personal injury or loss of life.

SERVICING UNDER WARRANTY

Before servicing, read the terms and conditions of the Brigantia warranty at the back of the manual. Contact the authorized Brigantia dealer where you purchased the appliance from and provide them with details of the problem, along with the initial installation information (from the front of this manual).

WARNING: Servicing of this appliance **must be conducted by a qualified service technician.** Improper servicing, adjustment or alteration of this appliance may cause property damage, personal injury or loss of life. All servicing should be conducted with the appliance cold. All replacement parts must be authorized by Archgard Industries for suitability.

WIRING SCHEMATIC

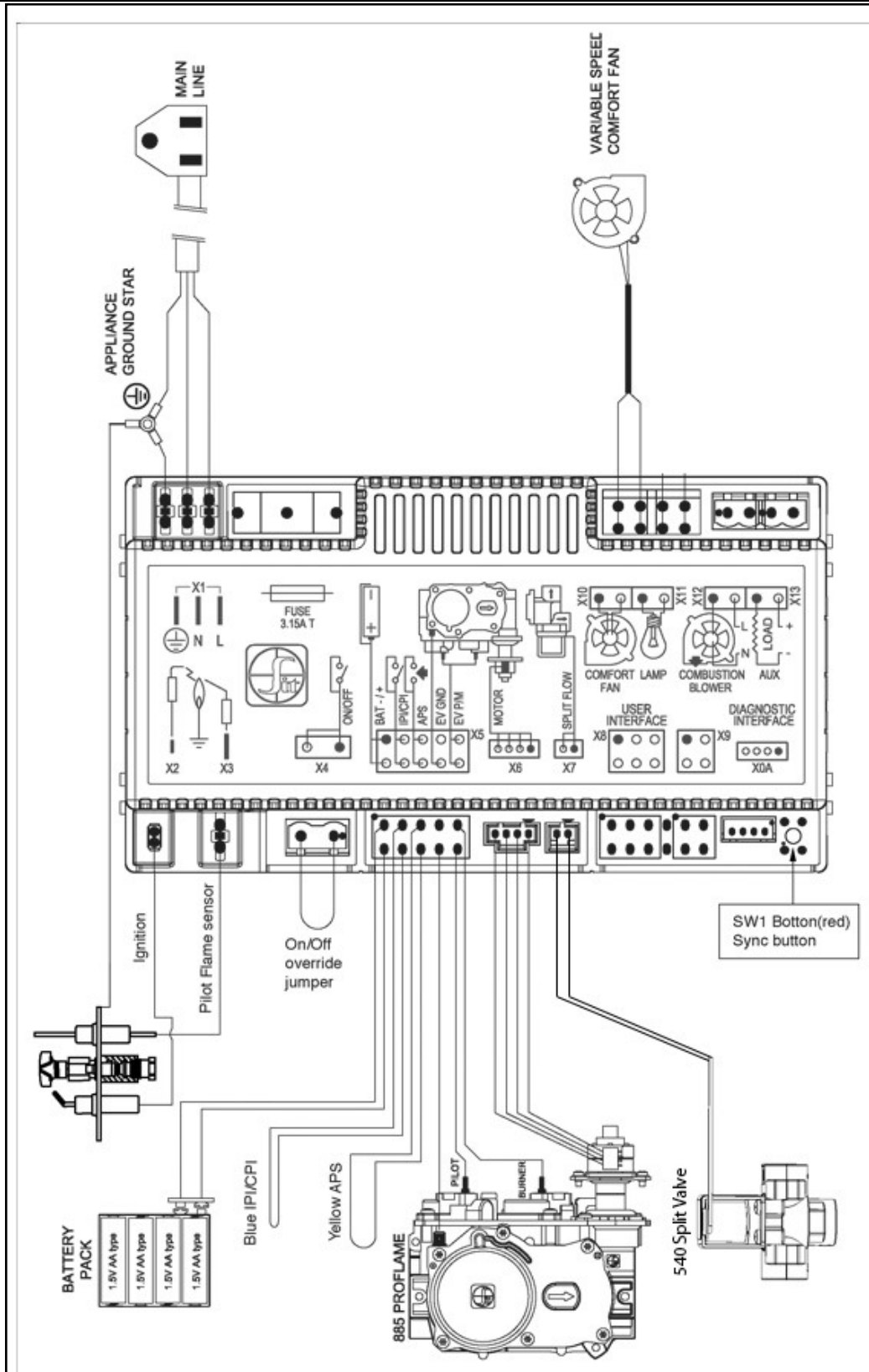


Figure 25

PARTS LIST

Item #	Item Description	Unit
308-6011	SIT PROFLAME II CONTROL MODULE	Main control module
308-6012	WIRING HARNESS	Main wiring for module
308-6016	WIRING HARNESS SPLIT FLOW	Split flow wiring harness
308-6013	BATTERY HOLDER	AA Battery holder
308-6022	HANDHELD REMOTE - PROFLAME II	Handheld remote control
308-6017	SIT 885 VALVE W/STEP MOTOR	Main gas valve
308-6019	PSE SPARK PILOT ASSEMBLY	PSE pilot assembly
857-0014	REPLACEMENT SPLIT FLOW KIT (units prior to S/N: 510071)	Split flow valve
857-0015	REPLACEMENT SPLIT FLOW KIT (units S/N: 510071 and up)	Split flow valve
857-0050-C	CENTER PAN BURNER	Burner
857-0050-L	LEFT SIDE PAN BURNER	Burner
857-0050-R	RIGHT SIDE PAN BURNER	Burner
57-FBJB	BURNER GLASS MEDIA - JET BLACK	Glass bead media
57-DB	DOOR ASSEMBLY ** (BLACK)	Door frame, glass & gasket
300-0134	INTEGRITY SPRING	Relief spring for door system

** The door shall only be replaced as a complete unit as supplied by the manufacturer.

Do not abuse glass doors by striking or slamming shut.
Do not operate with broken glass.

Substitute materials shall not be used.

Optional fuel conversion kit : **57-CKLP LP Conversion (instructions supplied in kit)**
 57-CKNG NG Conversion (instructions supplied in kit)

FREQUENTLY ASKED QUESTIONS

Listed below are some frequently asked questions regarding Brigantia Gas Fireplaces. If you have questions that are not listed below, or are not answered in this manual, please contact your Authorized Brigantia Dealer.

Q. My glass has a condensation “fog” when the appliance is first lit.

A. Condensation is normal and will disappear in a few minutes after the glass is heated.

Q. I have a white “film” on my glass. What is the best way to clean the inside of the glass.

A. Frequent cleaning of your glass is recommended. Archgard recommends using a good quality “gas fireplace” glass cleaner that is available at all authorized dealers. Do not use abrasive materials, and do not clean the glass or the appliance when the unit is hot.

Q. How do I care for my plated trims.

A. Clean with a damp cloth. DO NOT use chemical cleaners as they may harm the finish, and void your warranty. NOTE: If the top louvers, or top overlay starts to discolor, check the door gasket seal and replace if necessary.

Q. I hear a “ticking”, “cracking” or “pinging” sound when my fireplace is running, and after it is turned off.

A. The different gauges of steel used to manufacture your fireplace will expand and contract at different rates when your fireplace is on, and will continued as your fireplace completes its heating function. You will likely hear these same sounds more on start up and shut down. This is normal for steel fireplaces.

Q. When my appliance is OFF and my pilot light is lit, I hear a “whisper” sound.

A. The lit pilot can make a small noise. Sometimes in extreme wind conditions you may be able to hear air entering into the firebox chamber.

Q. I hear a “click” when my main burner turns ON or OFF.

A. Your Gas Control Valve will make a clicking sound when it opens to allow gas to flow to the main burner. This is a normal part of the operating system.

Q. Can I burn wood and other materials in my gas fireplace.

A. No! Burning anything other than natural or LP gas in a gas fireplace or stove will create a potential fire hazard and present a danger to your home and its occupants. Only burn the gas fuel for which the unit was originally designed.

Q. Can I shut my pilot off in the summer?

A. You will save energy by turning off the pilot light if you are not using your appliance for the hot summer months. Remember to relight it before you want to use the appliance for the first time in the fall. Refer to your owners manual for lighting instructions.

BRIGANTIA LIMITED WARRANTY

This Limited Warranty is made by Archgard Industries, hereinafter referred to as "Brigantia". Brigantia warrants to the original purchaser of a Brigantia gas burning fireplace (s) that the product will be free of defects in materials and workmanship under normal use and service, for a "lifetime".

INCLUSIONS: "LIFETIME LIMITED WARRANTY" (to original purchaser)

- All heat exchangers, combustion chamber, burner tubes and pans.
- Ceramic Panels against splitting or cracking from heat exposure.
- Ceramic Glass against thermal breakage (i.e.: flaking)
- NOTE: Discoloration and some minor movement of certain parts are normal and are not a defect and therefore, not covered under warranty.

The above will be covered "parts & labor" to the original purchaser for FIVE years and "parts" only thereafter from original date of purchase.

INCLUSIONS: "FIVE YEAR LIMITED WARRANTY"

- Five year limited warranty on the Burner System. Warranty will cover any defective burner if defect is deemed as original by the manufacturer.

The above will be covered "parts & labor" to the original purchaser for TWO years and "parts" only thereafter from original date of purchase.

INCLUSIONS: "ONE YEAR LIMITED WARRANTY"

- All plated trims and accessories against tarnishing.
- All trim accessories against tarnishing and paint defects.
- Rocker switches and wiring.
- Gas control valves, pilot assemblies including electrodes, and igniters.

The above will be covered "parts & labor" to the original purchaser for ONE year from date of purchase.

EXCLUSIONS:

- Ember material.
- Travel time or mileage to original purchasers residence. Archgard suggests that you pre-arrange travel expenses with your Authorized Brigantia Dealer.

WHAT TO DO IN THE EVENT OF A PROBLEM:

- Thoroughly read your manual.
- If you cannot solve the problem, contact your Brigantia Dealer or representative.
- When calling for help please have the following information:

Model of your Fireplace	Serial Number	Place of Purchase
Date of Purchase	Problem Description	

- NOTE: Warranty may be void if work is carried out by an unqualified person (s). Only original Brigantia parts may be used. Please consult your Brigantia dealer or representative if in doubt about a replacement part (s).

OBTAINING WARRANTY SERVICE:

To obtain warranty service, the original purchaser shall return the defective part (s) to the original authorized Brigantia selling dealer transportation prepaid, along with the serial number of the appliance and proof of purchase. Any defective part, in our judgment, will be repaired or replaced at Archgard's discretion. The dealer must obtain approval from Brigantia before any repairs are made.

WARRANTY LIMITATION:

THIS LIMITED WARRANTY IS MADE IN LIEU OF ALL OTHER WARRANTIES, EXPRESSED OR IMPLIED AS TO QUALITY, MERCHANTABILITY OR FITNESS FOR PARTICULAR PURPOSE.

The appliance is only warranted for the use as intended by the installation and operating instruction and local building codes. The warranty will not cover damage due to accident, misuse, abuse, alteration, improper installation or "Acts Of God".

This limited warranty is void unless the appliance is installed by a qualified installer, in accordance with the instructions furnished with the appliance. Some Provinces or States do not allow limitations on how long an implied warranty lasts, so the above limitation may not apply to the original purchaser. Any damage resulting from defects in this product, is limited to the replacement of the defective part (s) and does not include incidental and consequential exposures sustained in connection with the product. This includes facing (s), mantle (s), cabinet (s), tile (s) or any other finishes resulting from removal of any gas appliance. This warranty is limited to residential use only and gives the consumer specific rights. These rights may vary from State to State or Province to Province.

POSTAGE

WARRANTY REGISTRATION

**ARCHGARD INDUSTRIES
7116 BEATTY DRIVE
MISSION, B.C. CANADA
V2V 6B4**

FOLD DOWN AT LINE

FOLD DOWN AT LINE & TAPE CLOSED

Model # : 57-DVRS50 Serial #: _____ Date Installed: _____ / _____ / _____
mm did yyyy

Name: _____ Address: _____

City: _____ State/Prov: _____ ZIP: _____ Phone: (_____) _____

Dealer's Name & Address: _____

City: _____ State/Prov: _____ ZIP: _____ Phone: (_____) _____

Installer's Name & Address: _____

City: _____ State/Prov: _____ ZIP: _____ Phone: (_____) _____

Why did you choose this product? _____

Thank you for purchasing our product and filling out this warranty card.

CUT ALONG LINE

CUT ALONG LINE

CUT ALONG LINE

ARCHGARD INDUSTRIES

7116 BEATTY DRIVE
MISSION, B.C. V2V 6B4
CANADA

WEBSITE: WWW.ARCHGARD.COM