



## Uptown Fire Pit Table

Installation Instructions



# Contents

Contents.....	2
Required Tools.....	3
Placing and assembling the Table.....	4
Gas Connection.....	5
Igniter Installation.....	6
Locating Propane tank.....	8
Finishing Touches.....	9

# Required Tools



- **Utility Knife**

To cut and remove packaging



- **2 Open Ended Wrenches**

To make gas connections



- **Leather Gloves**

To protect hands from rough edges found on the coffee table.



- **One (1) AAA Battery (not included)**

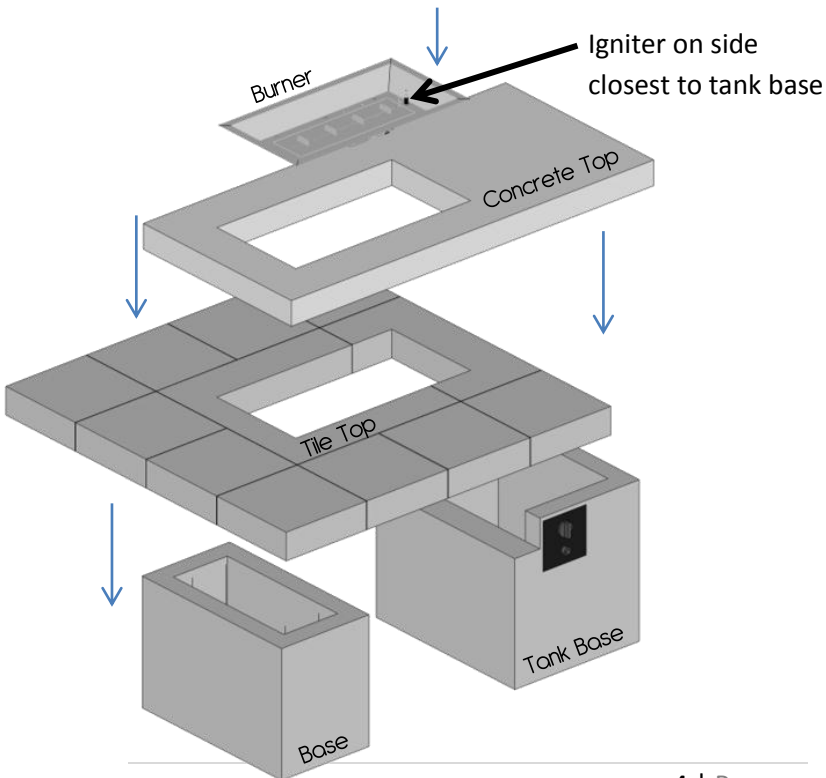
Required for piezoelectric igniter installation.



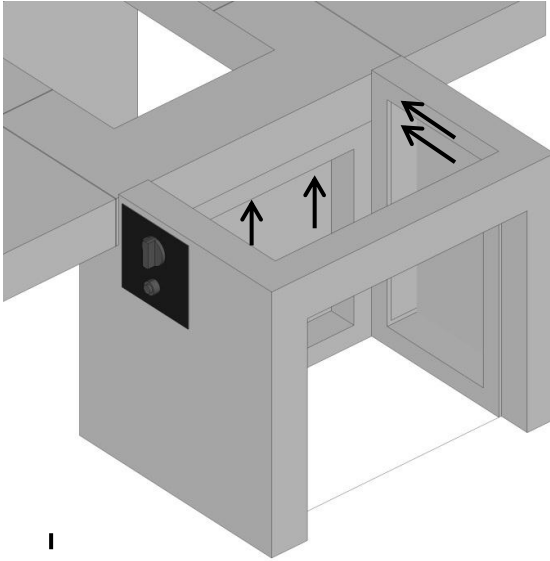
- **Do not attempt to perform installation by yourself. This fire pit table is constructed of steel and heavy stone products. Have at least one other person help you.**

## Placing and Assembling the Fire Pit table

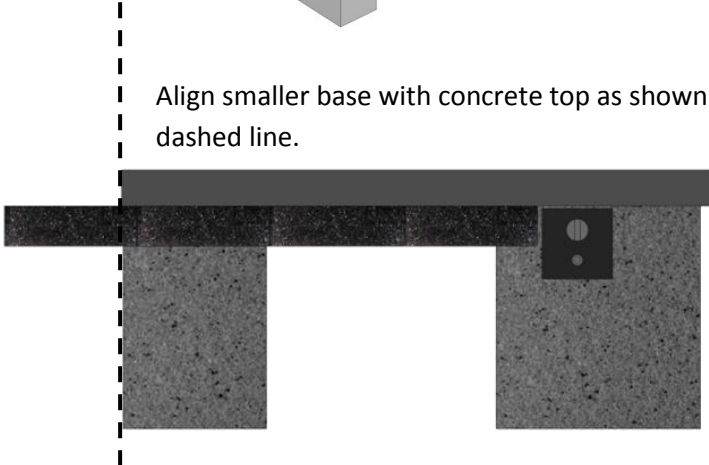
1. Remove access door from box and set aside.
2. Remove all components from packaging.
3. Move the base sections without door to desired location and set into place spaced approximately 21" from each other.
4. When locating your coffee table, refer to the Crystal Fire manual and maintain clearance to combustibles.
5. Assemble as shown below.



**6.** Insert supplied sheet metal screws into the locations shown by arrows below. This secures the granite tile top to the base.



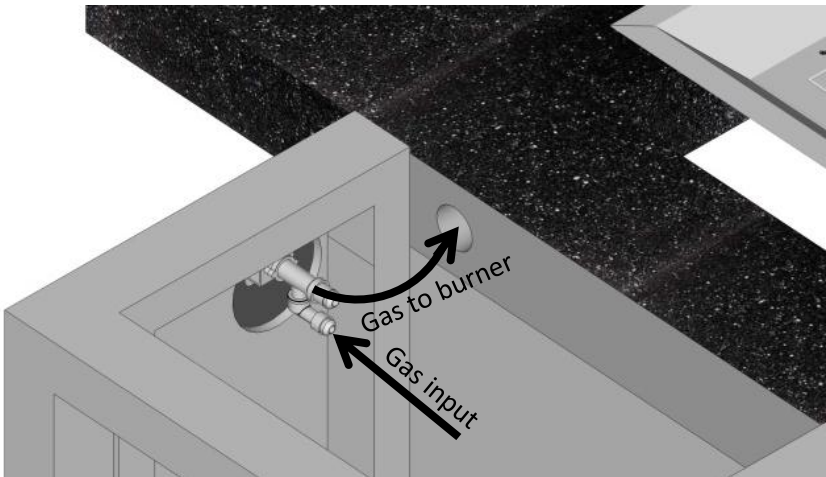
Align smaller base with concrete top as shown by dashed line.



**Read and understand your Crystal Fire owner's manual before beginning burner hookups or using the device.**

# Gas Connection

1. Lift burner out of top and set aside
  2. Connect the incoming gas line and flexible metal gas line from the valve to the underside of burner, running flex hose through access hole as shown before connecting line to valve. It is not recommended to use Teflon tape or pipe dope on the connection to the valve with flare fittings.
- LPG installations use the hose and regulator provided with the burner.
  - For Natural Gas hookup information and any other info not listed here consult your Crystal Fire owner's manual.
  - Consult Crystal Fire manual for proper orifice size for the chosen fuel type before attaching flex line to burner and tightening securely.



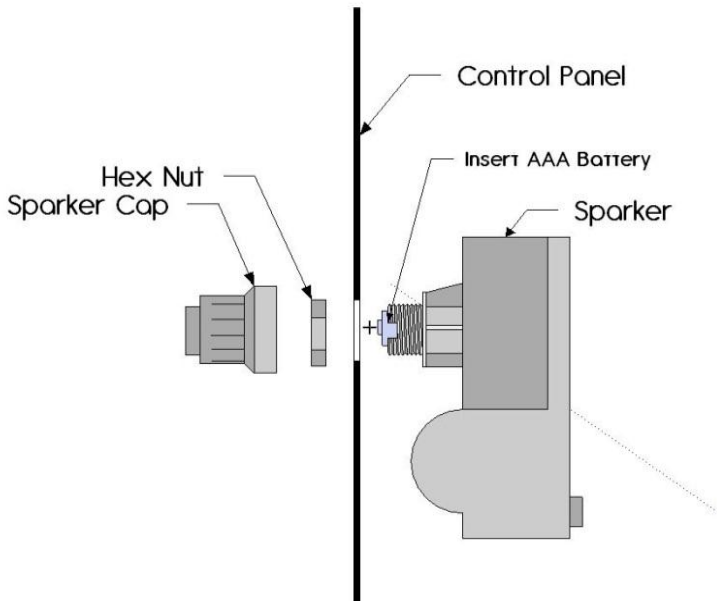
# Igniter Installation

(If your igniter only has one port on the back, please ignore instructions for grounding. Your igniter is a self-grounding model)

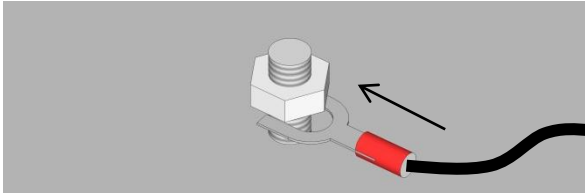
1. Make sure the valve is in the OFF position



2. Unscrew sparker cap and hex nut.  
Install as shown below.



3. To properly install ignition system, a spark and ground wire need to be attached to the igniter box.
  - Thread black spark wire which hangs from burner through access hole alongside metal flex-line and plug into sparker box.
  - Plug the included grounding wire into the back of the sparker box. The free end of the grounding wire should be secured to the underside of the burner by loosening one of the nuts on the end nearest to the control panel and inserting the plug as shown before re-tightening the nut.

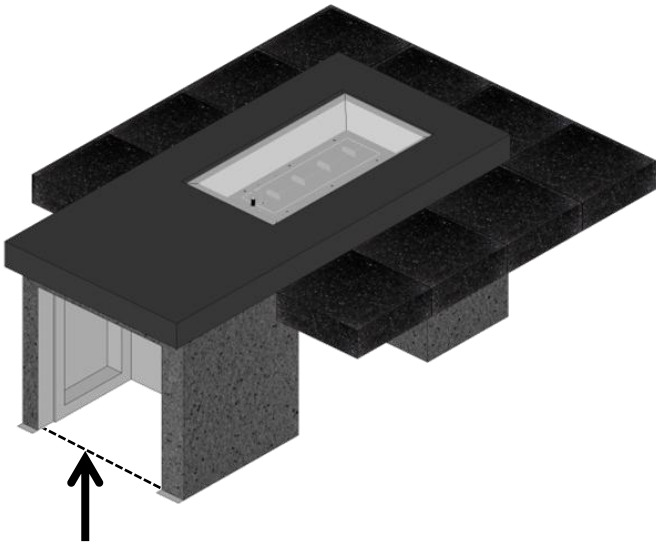


- Test system by depressing the button on the igniter. A continuous repeating spark between the igniter electrode and spark-receiving probe means everything is connected properly. Consult the troubleshooting section if spark is weak, intermittent, or not present.
4. Once ignition system is grounded and gas connections are secured and checked for leaks, set the burner back into its original position if you haven't already done so.



# Locating your Tank

1. Your tank should be positioned so that the fuel can be shut off after each use.
2. Slide the tank into the framework past the line shown below. This is to allow the door to close completely.
3. Confirm all hoses are clear and not touching the burner.



Position tank behind this line

- Install door by setting the bottom on the catching hooks first and then closing. Magnets in the table will hold door closed.

## Finishing touches

Once fire pit is set up and in the desired position, scatter decorative glass on burner surface forming an even layer of beads.

- **DO NOT BURN WITHOUT GLASS OR OTHER DECORATIVE SUBSTRATE PRESENT**

### **IMPORTANT**

Please consult your Crystal Fire instruction manual for detailed instructions and important information related to hooking up your linear burner, including safety information, proper tightening of connections with two wrenches and full burner setup and lighting instructions.

**DO NOT ATTEMPT TO INSTALL CF-1224 BURNER WITHOUT FIRST CONSULTING THE MANUAL. IF YOU ARE UNSURE OF HOW TO COMPLETE THE STEPS OUTLINED, CONSULT A QUALIFIED TECHNICIAN**

### **WARNING**

After consulting the manual and following instructions, remember; before operating, all gas connections must be fully checked for leaks

**Warranty:** Fire pit tables are covered under a 1-year manufacturer's warranty. Please visit <http://www.outdoorrooms.com/warranty-form> to register your product.

© 2011 The Outdoor GreatRoom Company

2015 Silver Bell Road • Suite 195 • Eagan, MN 55122  
Toll Free: 1-866-303-4028 • [Sales@OutdoorRooms.com](mailto:Sales@OutdoorRooms.com)