

RP620



 **MONTIGO**<sup>®</sup>  
the art of fireplaces

## Beautiful. Bright. Alluring.

Our passion for beautiful, bold flames guided the development of the RP620. Refined elegance and modern design in a fireplace of unprecedented size.

### Concealed Burner

The RP620 adds tranquility and warmth to your home. The 5 foot long burner produces a relaxing ribbon-like flame. Your desired media can completely cover the bed of the firebox, enhancing the ambience even when the fireplace is not in use.

### Frameless Design

Clean contemporary lines and frameless double glass design deliver breathtaking aesthetics. Finishing materials can be brought down to the glass creating a stunning focal point without interruption.

### Dedicated Power Vent

Montigo 300-Series Power Vents have been designed and manufactured in-house to create an optimized fireplace system. Designed to compliment your homes exterior, the assistance of fans allow you to locate your fireplace anywhere in your home.

### Installation Kit

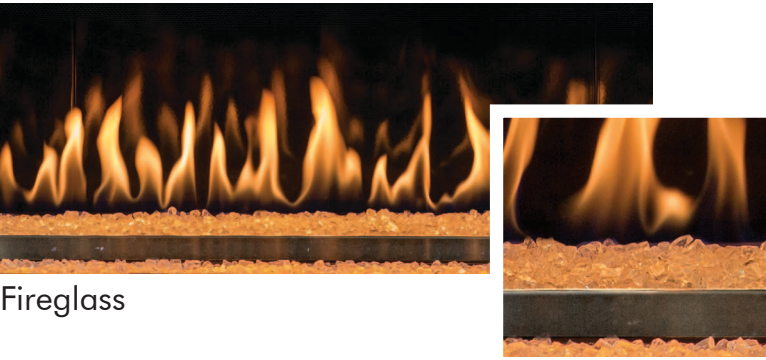
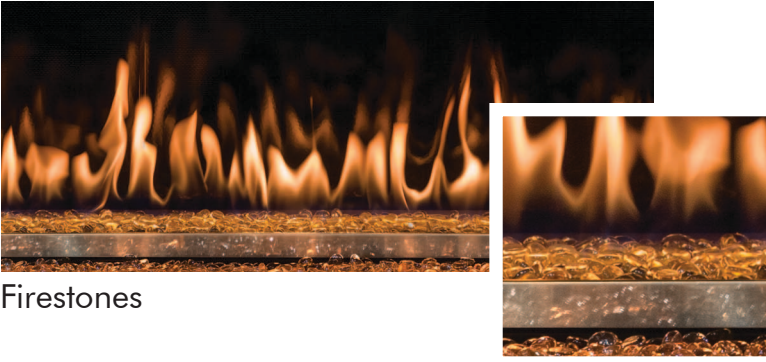
All necessary installation components and hardware are provided by Montigo - including the metal frame kit and Fire-Pro wall board. Making installation an easy and efficient process right down to the screws.

### Our Guarantee

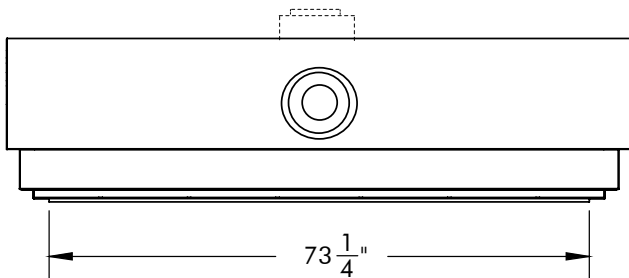
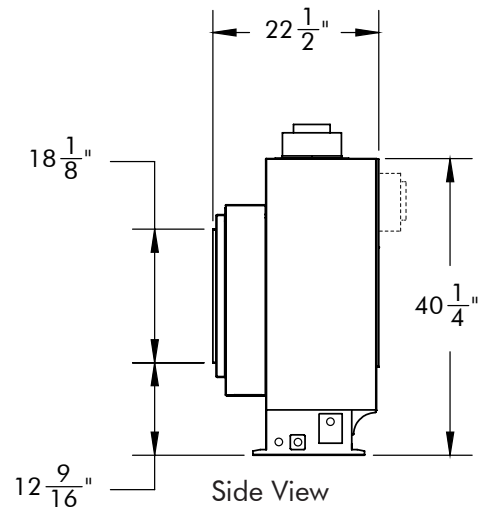
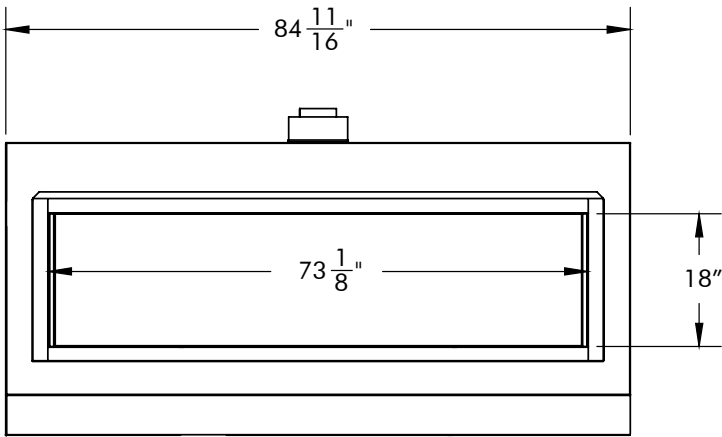
Rest assured our uncompromising quality and long-term reliability is backed by our 10-year limited warranty.



## Styling Options



## Unit Dimensions



## RP620 Specs

BTUs		Venting	Height		Front Width		Depth	
Natural Gas	Propane	Top or Rear	Actual	Framing	Actual	Framing	Actual	Framing
75,000	70,000	5" / 8"	40 1/4"	Top Vent 66" Rear Vent 55 1/2"	85"	96"	22 1/2"	26"

## Features

- Frameless window design
- Power vent dedicated
- Convertible to top or rear flue vent
- Integrated barrier safety screen
- Electronic ignition
- Supplied with install kit and standard control panel
- Compatible with 24VAC home automation systems
- Concealed ribbon burner, reflective black porcelain panels, up-lighting + clear firestones

## Options

- Drift wood log set
- Speckled stones
- Glass media available in a variety of colour options
- Remote control
- Three choices of Montigo's 300-series exterior, vertical or flush louvered power vent terminations

