

 marquis
COLLECTION | by Kingsman



S K Y L I N E

ZERO CLEARANCE DIRECT VENT GAS FIREPLACE

Unit Illustrated is a ZCVRB3622N Zero Clearance Direct Vent Natural Gas Fireplace, ZCVRB36SBL Wall Surround Edge – Black, Z3622PRL Porcelain Reflective Liners, and MQRBD1 Contemporary Rock and Driftwood Set.

WALL SURROUND

CONCAVE & CONVEX

BLACK

PEWTER

STYLING



ROCK COLLECTION



DRIFT WOOD



DECORATIVE STONE



DECORATIVE EMBER GLASS



Enjoy the **VIEW**

There is nothing subtle about this Skyline. It's pure sophistication that makes a statement with wide-view appeal and flexibility. Choose from the rocks and driftwood, decorative stones, or ember glass in a choice of colors for a sleek contemporary look.

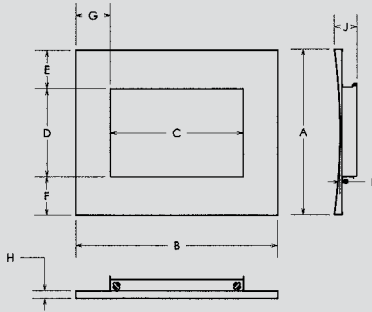
CONCAVE

CONVEX

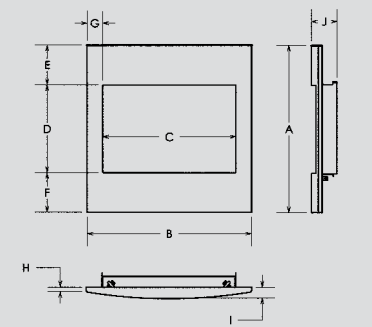
The unit illustrated is a ZCVRB3622N Zero Clearance Direct Vent Natural Gas Linear Fireplace, with Decorative Bronze Glass, ZCVRB36SSS Surround Edge – Stainless Steel, Z3622PRL Porcelain Reflective Liner, and optional ULK2 Universal Light Kit.

Model	ZCVRB3622N ZCVRB3622NE	ZCVRB3622LP ZCVRB3622LPE	MQRB4236LPT MQRB4236LPTe	MQRB4236NT MQRB4236NTE
Fuel	Natural	Propane	Propane	Natural
Input Max.	17,500	17,500	24,000	24,000
Input Min.	12,000	14,000	19,000	18,000
FE (P.4.1-02)	55.5 / 57.8%	55.5 / 57.8%	46%	44.7%

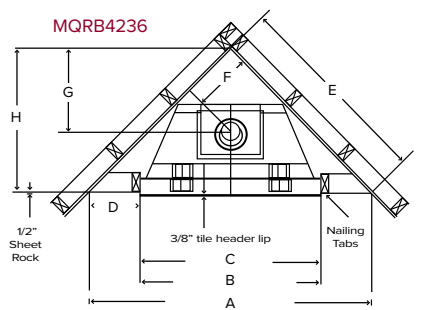
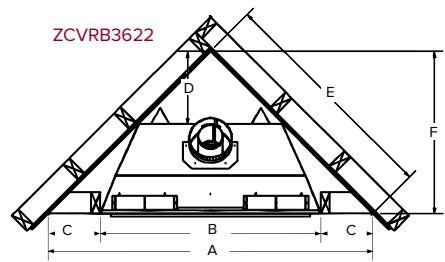
MQRB4236 ONLY



MQRB4236 ONLY



CLEAN VIEW FRAMING
Corner Framing Dimensions (inches)



Top Flue Model	Width	Height
ZCVRB3622	29 ³ / ₄ "	16 ¹ / ₈ "
MQRB4236	33 ³ / ₈ "	20 ³ / ₈ "

VIEWING AREA

ZCVRB3622	29 ³ / ₄ "	16 ¹ / ₈ "
MQRB4236	33 ³ / ₈ "	20 ³ / ₈ "

	ZCVRB3622	MQRB4236
A	53 ¹ / ₂ "	63 ¹³ / ₁₆ "
B	36 ³ / ₈ "	42 ⁷ / ₁₆ "
C	8 ⁹ / ₁₆ "	42 ¹ / ₁₆ "
D	12"	10 ¹¹ / ₁₆ "
E	37 ⁷ / ₈ "	45 ¹ / ₈ "
F	26 ³ / ₄ "	13 ³ / ₄ "
G	-	19 ¹ / ₂ "
H	-	31 ⁷ / ₈ "

Top Flue Model	Height		Front Width		Depth	
	Actual	Framing	Actual	Framing	Actual	Framing
ZCVRB3622	37 ¹ / ₈ "	37 ¹ / ₄ "	36"	36 ³ / ₈ "	17 ⁷ / ₁₆ "	17 ¹ / ₂ "
MQRB4236	36 ¹³ / ₁₆ "	43"	42 ¹ / ₁₆ "	42 ⁷ / ₁₆ "	18 ¹⁵ / ₁₆ "	19 ¹ / ₂ "

CLEAN VIEW FRAMING

Concave	A	B	C	D	E	F	G	H	I	J	L
MQRB42	42 ¹¹ / ₁₆ "	55 ³ / ₈ "	36 ³ / ₈ "	23 ¹¹ / ₁₆ "	9 ¹ / ₂ "	9 ¹ / ₂ "	9 ¹ / ₂ "	2"	1 ¹ / ₂ "	5 ¹ / ₂ "	36 ³ / ₈ "

Convex	A	B	C	D	E	F	G	H	I	J	L
MQRB42	42 ⁷ / ₈ "	44 ¹ / ₃ "	36 ³ / ₈ "	23 ³ / ₄ "	9 ¹ / ₂ "	9 ¹ / ₂ "	4"	1 ³ / ₁₆ "	3 ¹ / ₈ "	6 ³ / ₈ "	36 ³ / ₈ "

STANDARD FEATURES

- > Millivolt or IPI valve system allows operation during a power failure with Hi/low heat and flame adjustment
- > Safety Screen Barrier*



SAFETY SCREEN BARRIER

OPTIONAL FEATURES

- Designer Clean View Circulating Kit – (MQRB4236 Model Only)
No Louvers Required
- Surround Trim Edge – (ZCVRB3622 Model Only)
Available finishes: Black and Stainless Steel (36"W x 22 1/2"H)
- Wall Surrounds – Convex and Concave (MQRB4236 Model Only)
with Black or Pewter finishes
- Thermostat – Wall Mount Millivolt Thermostat or Programmable Thermostat
- Remote Controls – On/Off, Thermostat, Thermostat Modulating
- Contemporary Rock and or Driftwood Set, Decorative Stones or Decorative Ember Glass
- Porcelain Reflective Liners
- Universal Light Kit – Two Lamps (Series II models only)
- Fan Kit – Heat activated with variable speed control



* All gas fireplaces manufactured as of January 1, 2015 will include a Safety Screen Barrier.



 **marquis**
COLLECTION | by Kingsman



Kingsman Fireplaces maintains a program of continuous testing, refinement and improvements of all its products. Some aspect of units shown here may be changed at any time without notice or obligation.
Certification: The model ZCVRB3622 is certified to ANSI Z21.88-2014, CSA 2.33-2014, CGA 2.17-M91 (R2009) vented gas fireplace heater. Models MQRB4236NT, MQRB4236NTE, MQRB4236LPT and MQRB4236LPTE are certified to ANSI Z21.50-2014 CSA 2.22-2014, CGA 2.17-M91 (R2009) vented gas fireplace.
*Components may have to be ordered separately to create a complete unit. Discuss with your local Marquis Dealer for clarification.



2340 Logan Avenue, Winnipeg, Manitoba, Canada R2R 2V3 Phone: 204.632.1962 Fax: 204.632.1960 www.marquisfireplaces.net

Printed in Canada B093 - 03/16  

Unit Illustrated is a MQRB4236NT Zero Clearance Direct Vent Natural Gas Fireplace, HB42CVCK Designer Clean View Circulating Kit, MQHB42SWCVPW Convex Pewter Wall Surround, MQRB42PL Porcelain Reflective Liners, and Decorated with White Ember Glass.